

INSTRUCTION, WL7 FOAM PADS & REFLECTIVE TAPE INSTALLATION KITS

P/N 267357-01 (FOR LH PUMP)

P/N 267357-02 (FOR RH PUMP)



**YELLOW REFLECTIVE
TAPE (13-1/2" LG.)
P/N 090175-11
QTY. 2**



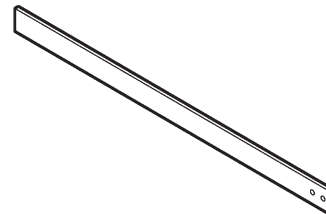
**YELLOW REFLECTIVE
TAPE (14" LG.)
P/N 090175-12
QTY. 2**



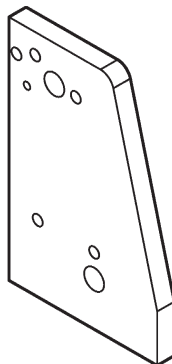
**YELLOW REFLECTIVE
TAPE (15-1/2" LG.)
P/N 090175-13
QTY. 2**



**FOAM TUBE
P/N 908085-10
QTY. 2**



**UPPER ARM
FOAM PAD
P/N 267359-01
QTY. 2**



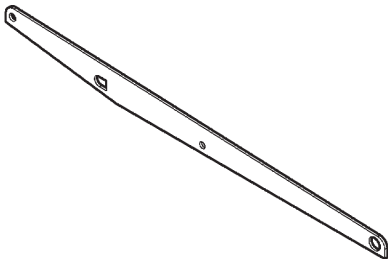
**TOWER FOAM PAD
P/N 267358-01 (WITH KIT- LH PUMP)
P/N 267358-02 (WITH KIT- RH PUMP)
QTY. 1**



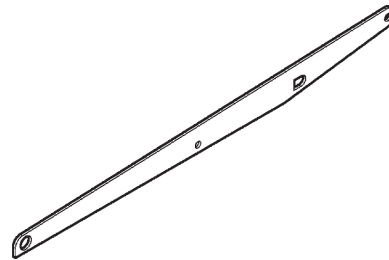
SHIELD FOAM PAD, LH
P/N 267360-01
QTY. 1



SHIELD FOAM PAD, RH
P/N 267360-02
QTY. 1

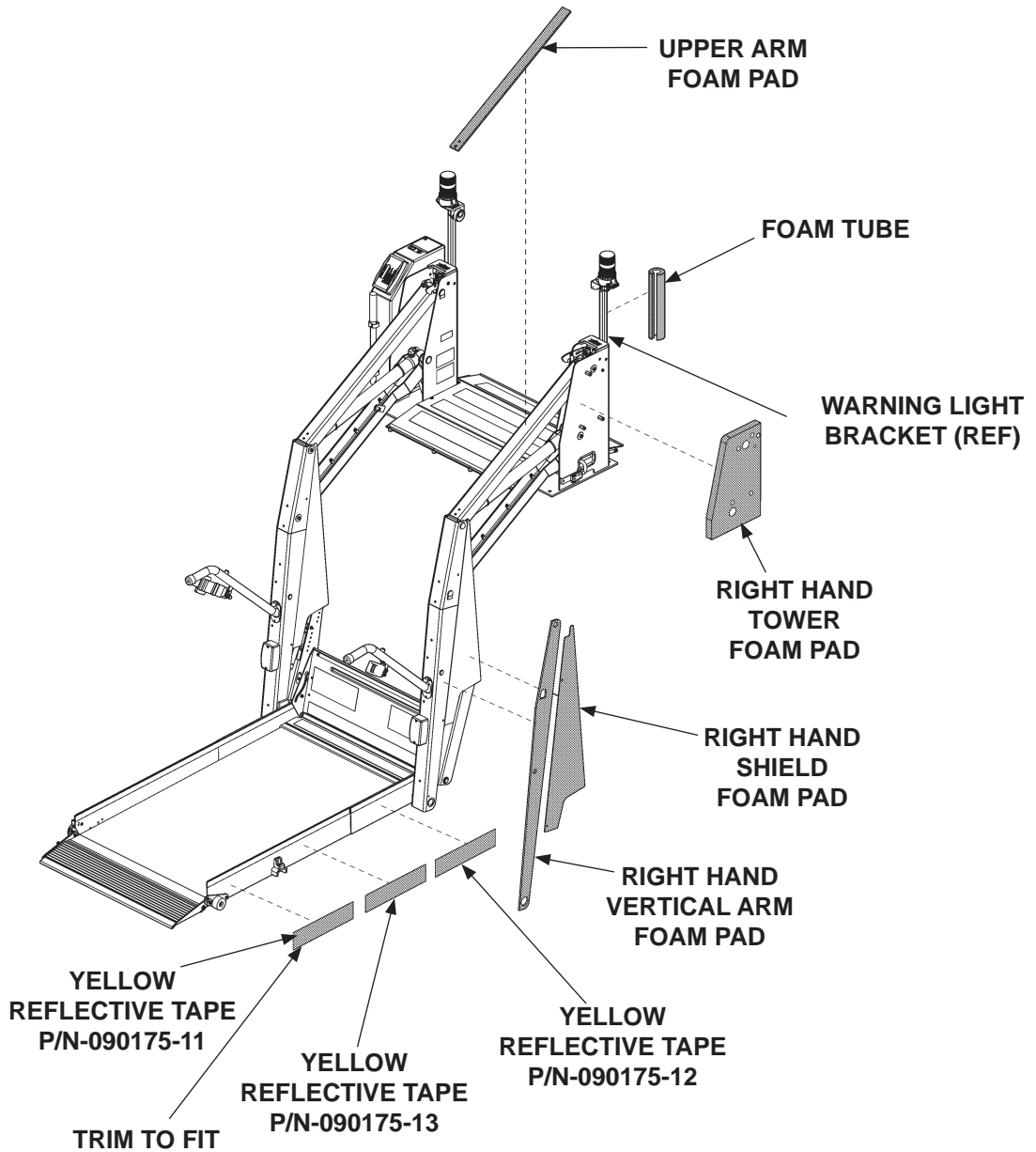


VERTICAL ARM
FOAM PAD, LH
P/N 267361-01
QTY. 1



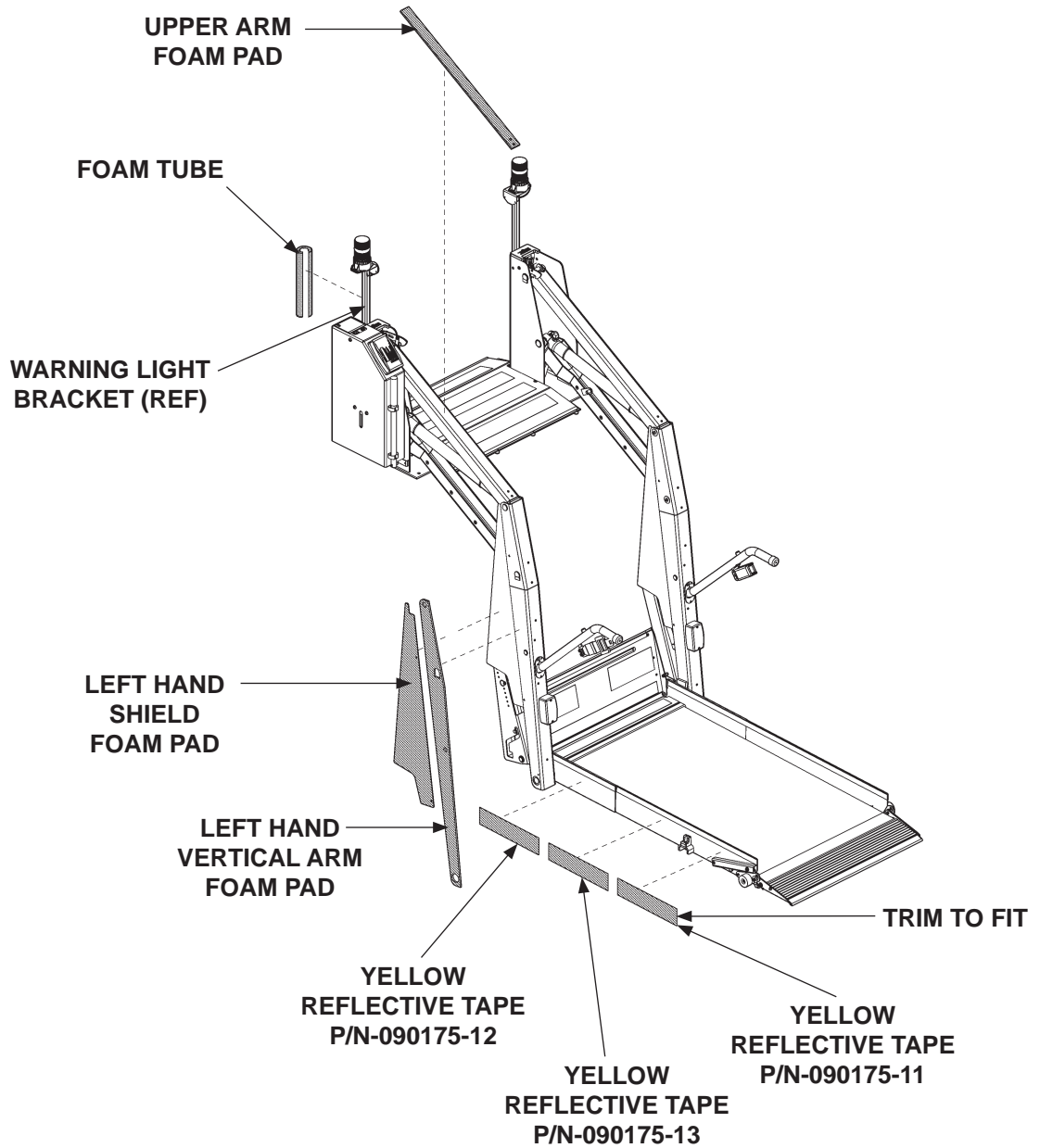
VERTICAL ARM
FOAM PAD, RH
P/N 267361-02
QTY. 1

1. Match all foam pads in the kit to RH (right hand) side of Lift (**FIG. 3-1**) and LH (left hand) side of Lift (**FIG. 4-1**). Adhesive side of each foam pad must face the correct mounting surface on the Lift (**FIGS. 3-1 and 4-1**).



**MATCHING PADS, TUBES, & REFLECTIVE TAPE TO RH SIDE OF LIFT
(KIT FOR LH PUMP SHOWN)**

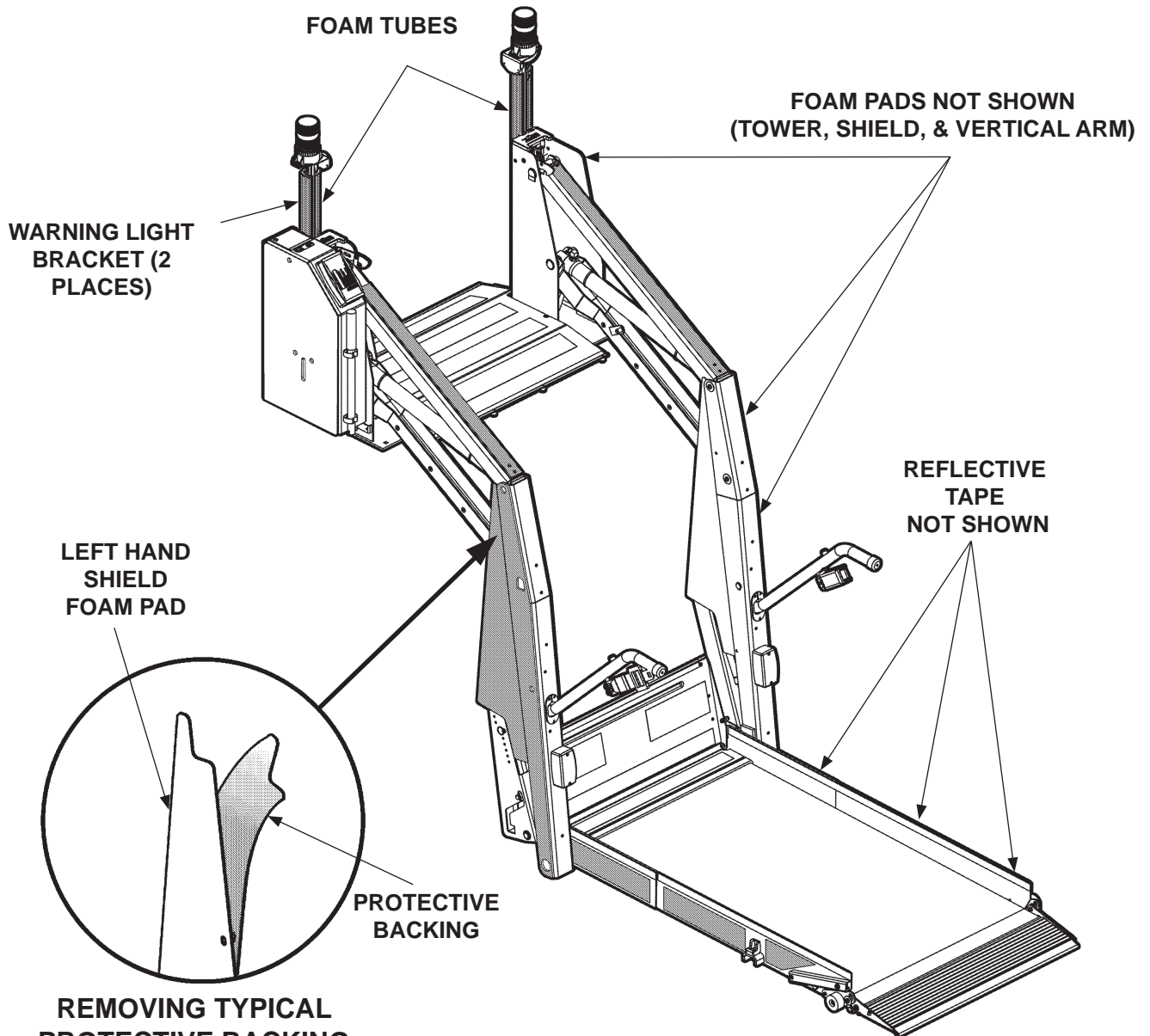
FIG. 3-1



**MATCHING PADS, TUBES, & REFLECTIVE TAPE TO LH SIDE OF LIFT
(KIT FOR LH PUMP SHOWN)
FIG. 4-1**

2. Peel the protective backing (**FIG. 5-1B**) from each foam pad. Next, apply each foam pad to the Lift (**FIG. 5-1A**). Then, put foam tubes on each warning light bracket.

NOTE: Foam pads, foam tubes, and reflective tape are shown shaded except for the 3 pads hidden from view.



**REMOVING TYPICAL
PROTECTIVE BACKING
FIG. 5-1B**

**FOAM PADS, TUBES, & REFLECTIVE
TAPE APPLIED TO LIFT
FIG. 5-1A**