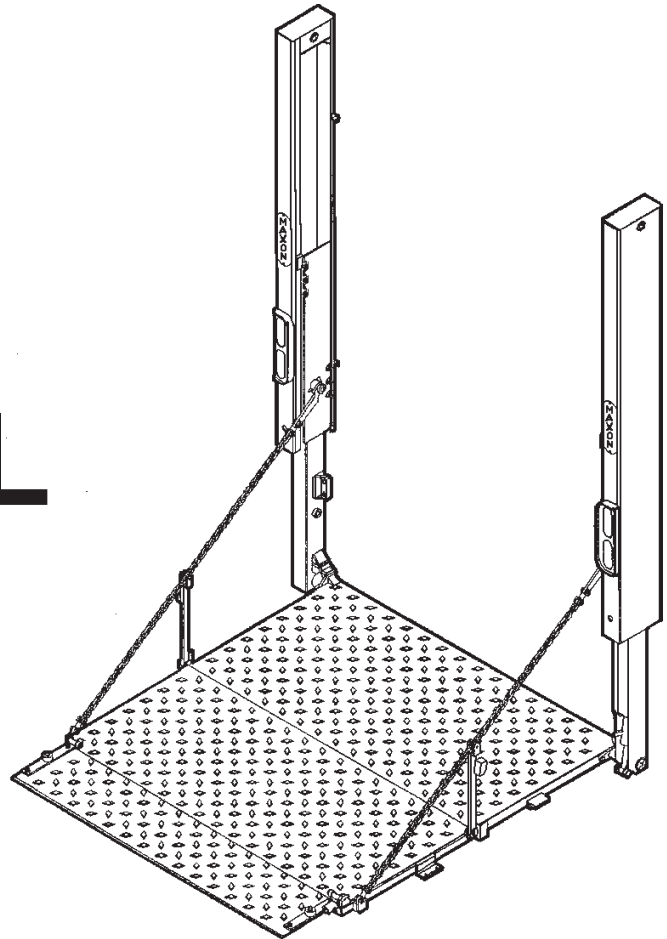


M-94-09
REV. D
APRIL 2010

MAXON[®]

 **COLUMNLIFT[®]**
LIFT GATE SERIES

BMR-44 PARTS MANUAL



MAXON[®]
LIFT CORP.

11921 Slauson Avenue.
Santa Fe Springs, CA. 90670
(800) 227-4116

MAXON[®]

LIFT CORP.

11921 Slauson Ave.
Santa Fe Springs, CA. 90670

CUSTOMER SERVICE:

(562) 464-0099

(800) 227-4116

FAX: (888) 771-7713

TECHNICAL SERVICE:

(800) 8-MAXTEK (862-9835)

NOTE: Check with Customer Service Department for updated versions of Manuals on an annual basis.

WARRANTY POLICY & PROCEDURE

NEW LIFTGATE WARRANTY

Term of Warranty: 2 Years from Date of In-Service

Type of Warranty: Full Parts and Labor

MAXON agrees to replace any components which are found to be defective during the first 2 years of service, and will reimburse for labor based on MAXON's Liftgate Warranty Flat Rate Labor Schedule.

All claims for warranty must be received within 30 Days of the repair date, and include the following information:

1. Liftgate Model Number
2. Liftgate Serial Number
3. Description of Problem
4. Corrective Action Taken, and Date of Repair.
5. Parts used for Repair, Including MAXON Part Number(s).
6. MAXON R.G.A. # and/or Authorization # if applicable (see below).
7. Person contacted at MAXON if applicable.

PURCHASE PART WARRANTY

Term of Warranty: 1 Year from Date of Purchase Type of Warranty: Part Replacement and Replacement Labor

MAXON will guarantee all returned genuine replacement parts upon receipt, and inspection of parts and invoice. All Warranty repairs must be performed by an authorized MAXON warranty station.

For major repairs, MAXON's Warranty Department must be notified, and an "Authorization Number" received. Major repairs would generally be considered repairs made to the structural assembly of the liftgate and/or repairs not outlined in the MAXON Liftgate Warranty Flat Rate Schedule.

Major components (i.e. hydraulic pumps, cylinders, valves, or failed structural parts) must be returned, freight pre-paid, prior to the claim being processed. To ensure timely processing of these warranty claims, an R.G.A. (Returned Goods Authorization) number must be obtained from MAXON's Warranty Department prior to the return of any defective part. Defective Parts must be returned within 60 days of the claim date for consideration to:

**Warranty Department, MAXON Lift Corp.
5920 Alameda St., Huntington Park, CA. 90255**

MAXON's warranty policy does not include the reimbursement for travel time; towing; vehicle rental; service calls; fabrication of parts which are available from MAXON; oil; defects due to misuse or abuse; loss of income due to downtime.

MAXON's Flat Rate Labor Schedule times takes into consideration time required for diagnosis of problem.

Warranty and Technical Information is available by calling MAXON's Customer Service Department.

Table of Contents

WARNINGS	PAGE 6
LIFTGATE TERMINOLOGY	PAGE 7
R.H. COLUMN ASSEMBLY	PAGE 8
L.H. COLUMN ASSEMBLY	PAGE 10
R.H. RUNNER ASSEMBLY	PAGE 12
L.H. RUNNER ASSEMBLY	PAGE 14
R.H. CHAIN ASSEMBLY	PAGE 16
L.H. CHAIN ASSEMBLY	PAGE 17
1-PC. PLATFORM ASSEMBLY	PAGE 18
PLATFORM ASSEMBLY, BMR-44	PAGE 19
FOLDOVER ASSEMBLY BMR-44	PAGE 20
TANDEM ASSEMBLY	PAGE 21
SPRING GUARD MOUNTING	PAGE 22
HYDRAULIC SECTION	PAGE 23
PUMP 253515 (1994 TO JAN.1997)	PAGE 24
PUMP 260545 (JAN.1997 TO PRESENT)	PAGE 26
HYD. COMPONENTS, 1 PUMP GRAVITY DOWN	PAGE 28
PUMP FITTINGS, 1 PUMP GRAVITY DOWN	PAGE 30
PUMP FITTINGS, 1 PUMP POWER DOWN	PAGE 31
HYD. COMPONENTS, 1 PUMP POWER DOWN	PAGE 32
HYD. COMPONENTS, 2 PUMP GRAVITY DOWN	PAGE 34
PUMP FITTINGS, 2 PUMP GRAVITY DOWN	PAGE 36
ELECTRICAL SECTION	PAGE 39
CONTROL BOX GRAVITY DOWN (NEW STYLE)	PAGE 40
CONTROL BOX GRAVITY DOWN (OLD STYLE)	PAGE 41

CONTROL BOX POWER DOWN (NEW STYLE)	PAGE 42
CONTROL BOX POWER DOWN (OLD STYLE)	PAGE 43
WIRING, 1 PUMP GRAVITY DOWN	PAGE 44
WIRING, 1 PUMP POWER DOWN	PAGE 46
WIRING, 2 PUMP GRAVITY DOWN	PAGE 48
WIRING, 2 PUMP POWER DOWN	PAGE 50
OPTIONAL SECTION	PAGE 53
HAND PUMP KIT	PAGE 54
BOTTOM STOP ASSEMBLY	PAGE 56
FIXED RAMP, 6" & 12"	PAGE 57
ALUMINUM RETENTION RAMP	PAGE 58
CART STOP RAMP	PAGE 60
DUAL CART STOP RAMP	PAGE 62

Comply with the following **WARNINGS** while maintaining Liftgates.

 **WARNING**

- Read and understand the instructions in **Maintenance Manuals** before performing maintenance on the Liftgate.
- **Disconnect Liftgate power cable from battery** before repairing or servicing Liftgate.
- Wear appropriate safety equipment such as protective eyeglasses, faceshield and clothing while performing maintenance on the Liftgate and handling the battery. Debris from drilling and contact with battery acid may injure unprotected eyes and skin.
- Be careful working by an automotive type battery. Make sure the work area is well ventilated and there are no flames or sparks near the battery. Never lay objects on the battery that can short the terminals together. If battery acid gets in your eyes, immediately seek first aid. If acid gets on your skin, immediately wash it off with soap and water.
- Never perform unauthorized modifications on the Liftgate. Modifications may result in early failure of the Liftgate and may create hazards for Liftgate operators and maintainers.
- Recommended practices for welding on steel parts are contained in the current **AWS (American Welding Society) D1.1 Structural Welding Code - Steel**. Damage to Liftgate and/or vehicle, and personal injury can result from welds that are done incorrectly.
- Recommended practices for welding on aluminum parts are contained in the current **AWS (American Welding Society) D2.1 Structural Welding Code - Aluminum**. Damage to Liftgate and/or vehicle, and personal injury can result from welds that are done incorrectly.

ORDERING PARTS

- Use only **Maxon Authorized Parts** for replacement parts. Order replacement parts from:

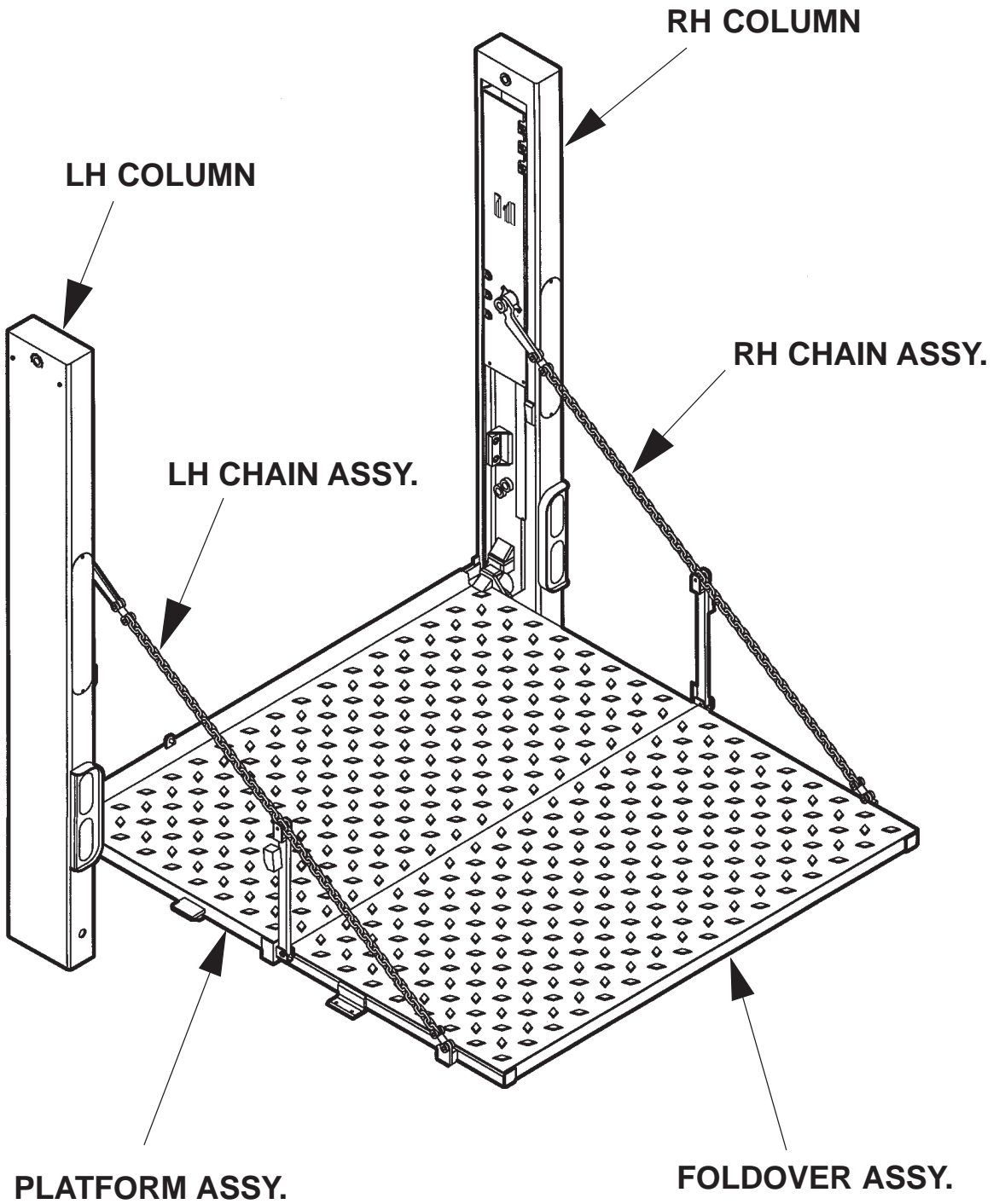
MAXON LIFT CORP. Customer Service
11921 Slauson Ave., Santa Fe Springs, CA 90670
Phone: (800) 227-4116

- To order parts by e-mail, submit orders to **cservice@maxonlift.com**.
- Provide Liftgate model and serial number information with your parts order.
- Need Technical Support? Send requests by e-mail to **technicalsupport@maxonlift.com**.
- For latest version Manuals (and replacements), download Manuals from Maxon's website at **www.maxonlift.com**.

MAXON[®]

11921 Slauson Ave. Santa Fe Springs, CA. 90670 (800) 227-4116 FAX (888) 771-7713

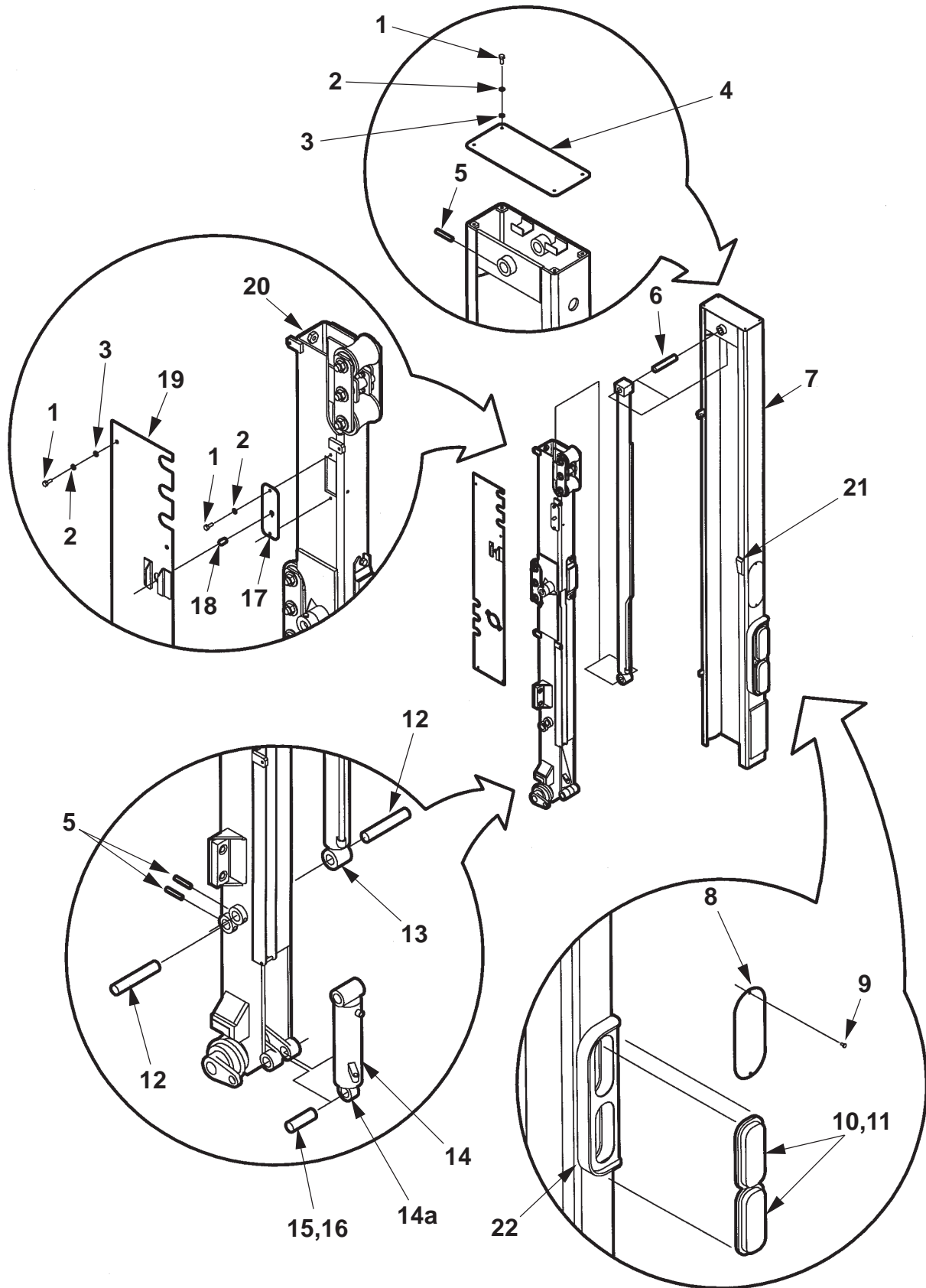
LIFTGATE TERMINOLOGY



R.H. COLUMN ASSEMBLY P/N 253577

MAXON[®]

11921 Slauson Ave. Santa Fe Springs, CA. 90670 (800) 227-4116 FAX (888) 771-7713



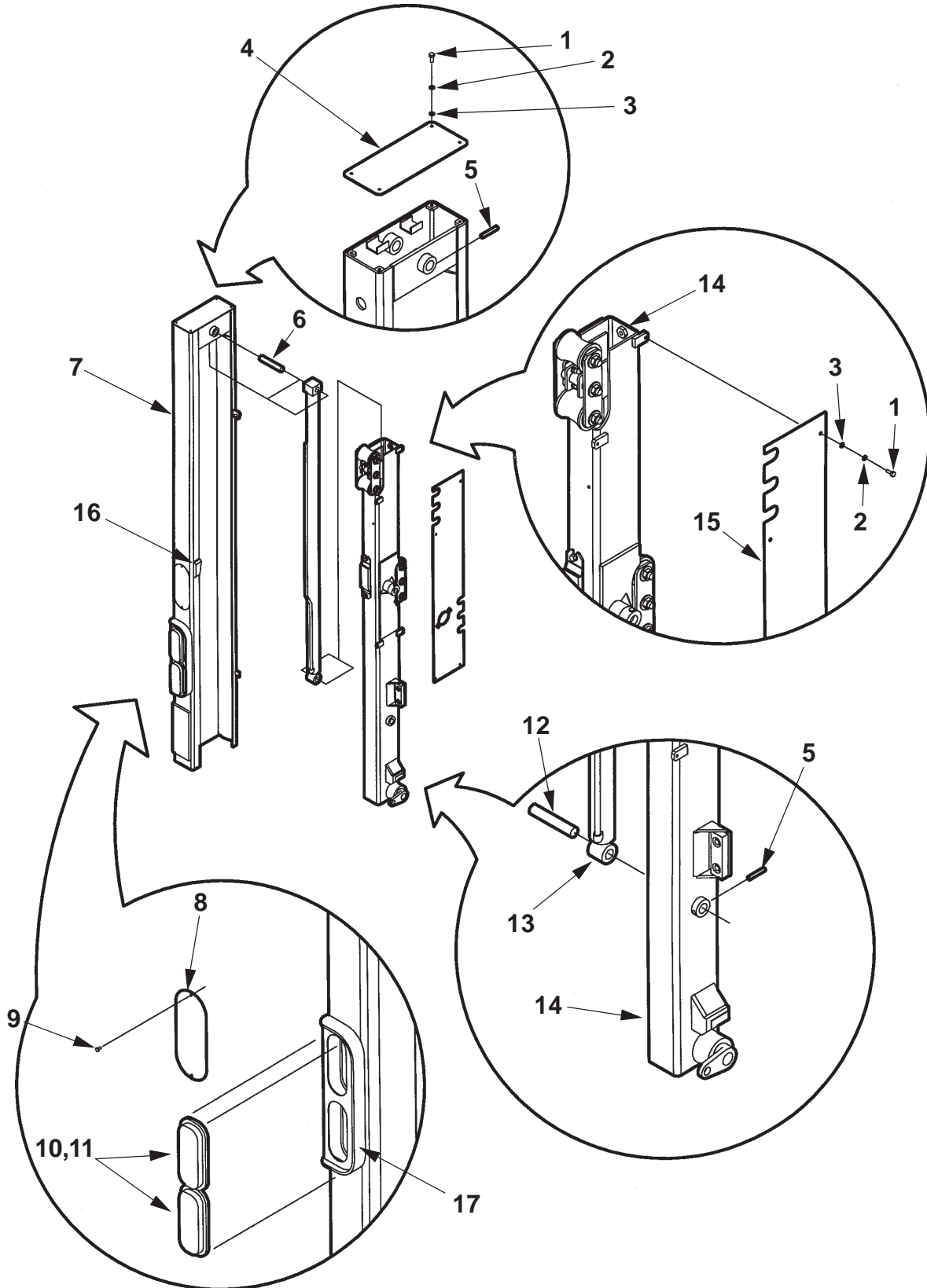
R.H. COLUMN ASSEMBLY P/N 253577

ITEM	QTY.	PART NO.	DESCRIPTION
1	10	040597	BOLT, 1/4-20 x 3/4"
2	10	030551	WASHER, 1/4" LOCK
3	8	030564	WASHER, 1/4" FLAT
4	1	263114	COVER, (2-LIGHT COLUMN)
		253767	COVER WELD'T (3-LIGHT COLUMN)
5	3	221416	PIN, ROLL 3/8" x 2" LONG
6	1	263457	PIN, 1" x 5-7/8" LONG
7	1	253521-100	COLUMN WELDMENT, RH (2-LIGHT)
		253521	COLUMN WELDMENT, RH (3-LIGHT)
8	1	260478	MAXON VERTICAL PLATE 3" x 10"
9	2	207644	RIVET, 3/16 POP
10	1	252533	LIGHT, CLEAR (For 3-Lgt. Col. Only)
11	2	252532	LIGHT, STOP/TAIL/TURN, SEALED
		263342	LIGHT KIT, LED, STOP/TAIL/TURN
12	2	253590	PIN, 1" x 4-3/4" LONG
13	1	253315	CYL., LIFT, DBL. ACT. 2x61x1 ROD
14	1	253975	CLOSING CYLINDER ASSEMBLY
14a	1	253657	BEARING, SELF LUBE, 1 x 1
15	1	253772	PIN, 1" x 3-3/32" LONG
16	1	050034	PIN, ROLL 1/4" x 2" LONG
17	1	253694	SWITCH PLATE
18	1	250876	RUBBER SEAL, SWITCH
19	1	260931	COVER WELDMENT, RH COLUMN
20	1	253563	RUNNER ASSEMBLY, RH
21	1	253535-02	LOCKING PLATE x 3-1/2" RH
22	1	260011	LIGHT MOUNT BRACKET (3-LIGHT)
		260011-100	LIGHT MOUNT BRACKET (2-LIGHT)

L.H. COLUMN ASSEMBLY P/N 253578

MAXON[®]

11921 Slauson Ave. Santa Fe Springs, CA. 90670 (800) 227-4116 FAX (888) 771-7713

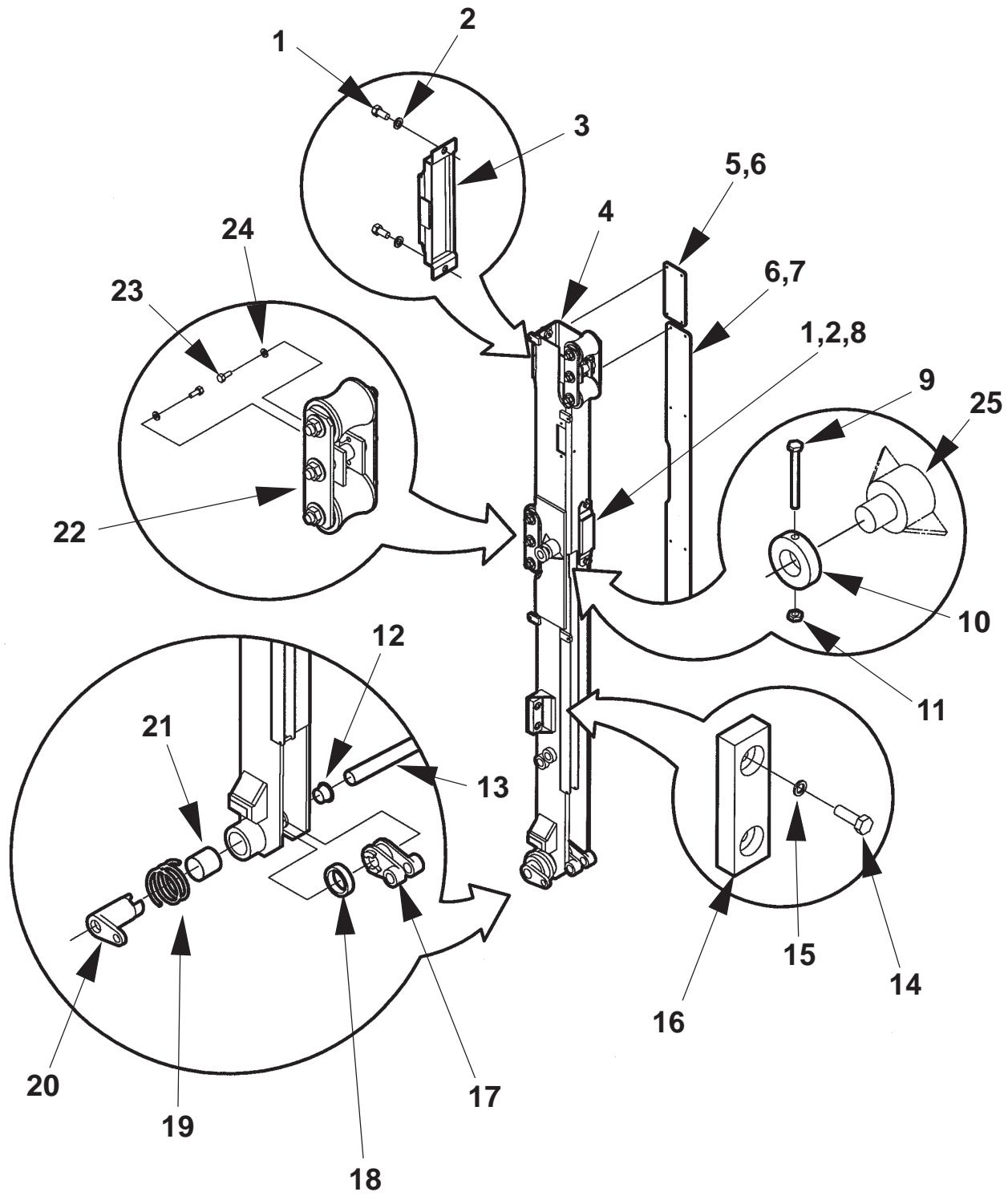


L.H. COLUMN ASSEMBLY P/N 253578

ITEM	QTY.	PART NO.	DESCRIPTION
1	8	040597	BOLT, 1/4-20 x 3/4"
2	8	030551	WASHER, 1/4" LOCK
3	8	030564	WASHER, 1/4" FLAT
4	1	263114	COVER, (2-LIGHT COLUMN)
		253767	COVER WLDM'T (3-LIGHT COLUMN)
5	2	221416	PIN, ROLL 3/8" x 2" LONG
6	1	263457	PIN, 1" x 5-7/8" LONG
7	1	253520-100	COLUMN WELDMENT, LH (2-LIGHT)
		253520	COLUMN WELDMENT, LH (3-LIGHT)
8	1	260478	MAXON VERTICAL PLATE 3" x 10"
9	2	207644	RIVET, 3/16 POP
10	1	252533	LIGHT, CLEAR (For 3-Lgt Col. Only)
11	2	252532	LIGHT, STOP/TAIL/TURN SEALED
		263342	LIGHT KIT, STOP/TAIL/TURN, LED
12	1	253590	PIN, 1" x 4-3/4" LONG
13	1	253315	CYL., LIFT, DBL. ACT. 2x61x1 ROD
14	1	253565	RUNNER ASSEMBLY, LH
15	1	260932-01	COVER WELDMENT, LH COLUMN
16	1	253535-01	LOCKING PLATE x 3-1/2" LH
17	1	260011	LIGHT MOUNT BRACKET (3-LIGHT)
		260011-100	LIGHT MOUNT BRACKET (2-LIGHT)

R.H. RUNNER ASSEMBLY P/N 253563

MAXON[®]
11921 Slauson Ave. Santa Fe Springs, CA. 90670 (800) 227-4116 FAX (888) 771-7713



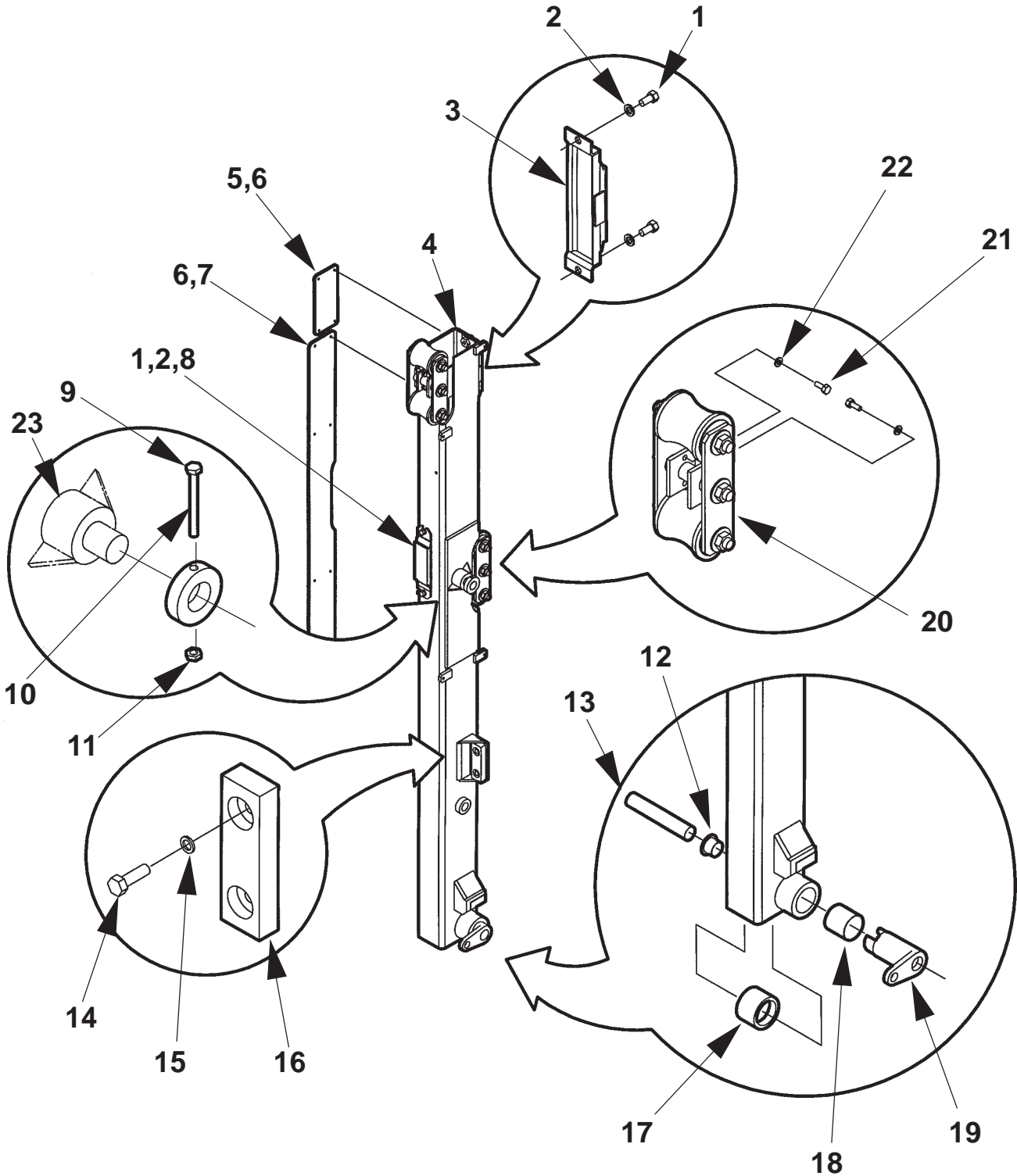
R.H. RUNNER ASSEMBLY P/N 253563

ITEM	QTY.	PART NO.	DESCRIPTION
1	4	260560	BOLT, 3/8-16 x 1
2	4	030555	WASHER, LOCK 3/8
3	1	253566	UPPER PAD SUPPORT ASSEMBLY
4	1	253561	RUNNER WELDMENT R.H.
5	1	253544	PAD POLY, 3.5" x 8"
6	12	207644	RIVET POP, 3/16 x .402
7	1	253543	PAD .28 DIA.
8	1	253567	LOWER PAD SUPPORT ASSEMBLY
9	1	260559	BOLT, 1/4-20 x 2-1/2"
10	1	253615	PIN COLLAR x 1/2"
11	1	040366	NUT, NYLON LOCK 5/16-18
12	1	253595	BEARING, SELF-LUBE 1.25
13	1	253586	PIN
14	2	040604	BOLT, 5/16-18 x 1
15	2	030564	WASHER, FLAT, 1/4"
16	2	225278-02	BUMPER
17	1	260517	COUPLING, INSIDE WELDMENT
18	1	253695	BEARING x 3/4"
19	1	260179	TORSION SPRING
20	1	260516-01	COUPLING, OUTSIDE WELDMENT
21	1	253596	BEARING, SELF-LUBE 2.2
22	2	253511-101	TANDEM ASSEMBLY
23	8	040597	BOLT, 1/4-20 x 3/4"
24	8	030551	WASHER, LOCK, 1/4"
25	1	253614	CHAIN BRACKET WELDMENT

L.H. RUNNER ASSEMBLY P/N 253565

MAXON[®]

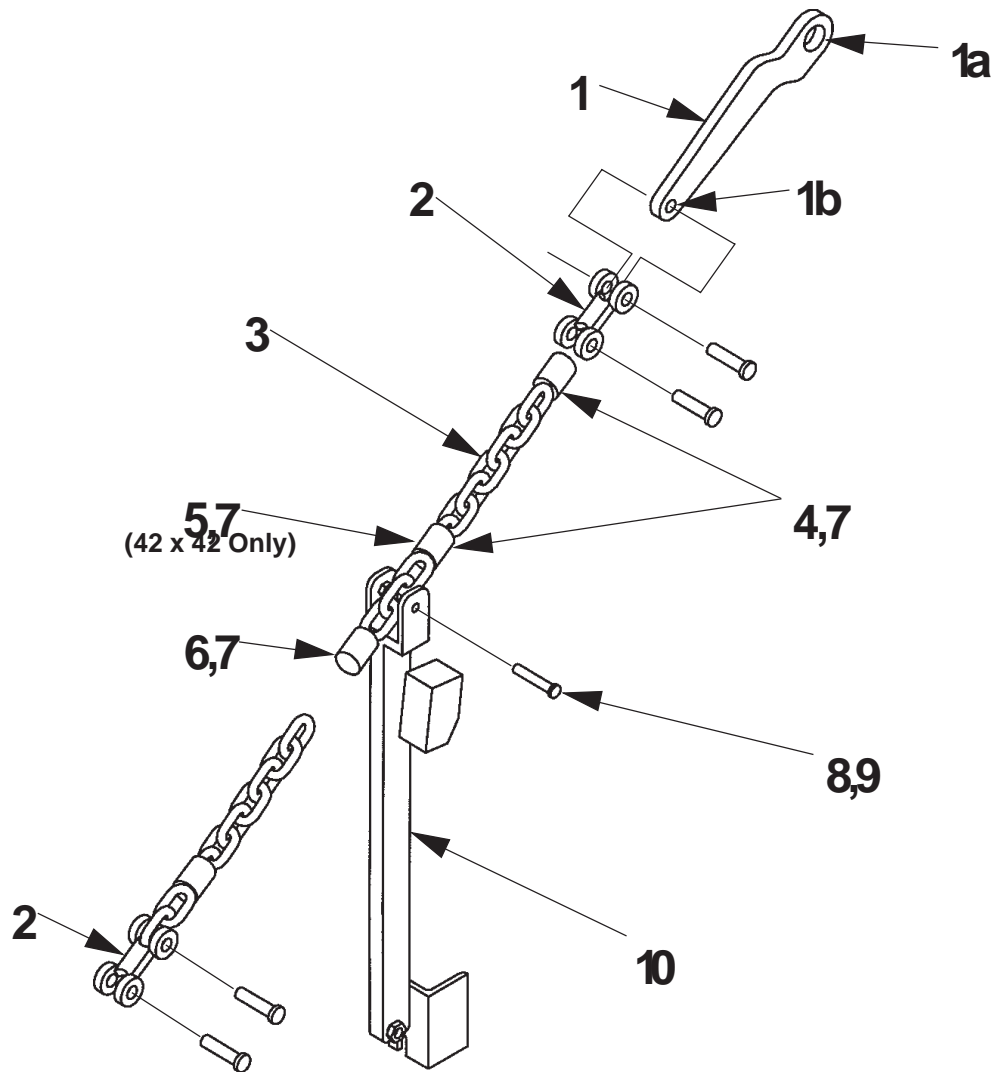
11921 Slauson Ave. Santa Fe Springs, CA. 90670 (800) 227-4116 FAX (888) 771-7713



**L.H. RUNNER ASSEMBLY
P/N 253565**

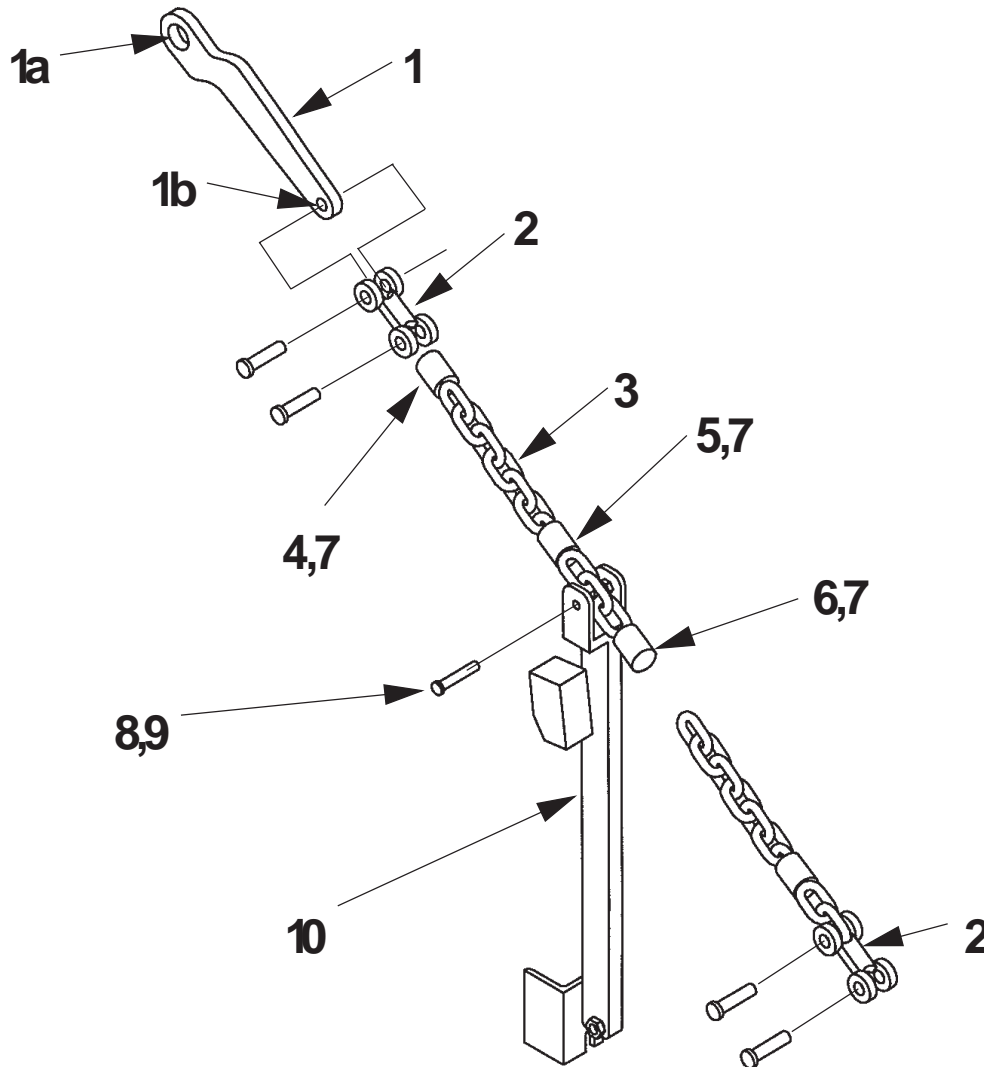
ITEM	QTY.	PART NO.	DESCRIPTION
1	4	260560	BOLT, 3/8-16 x 1
2	4	030555	WASHER, LOCK 3/8
3	1	253566	UPPER PAD SUPPORT ASSEMBLY
4	1	253568	RUNNER WELDMENT L.H.
5	1	253544	PAD POLY, 3.5" x 8"
6	12	207644	RIVET POP, 3/16 x .402
7	1	253543	PAD .28 DIA.
8	1	253567	LOWER PAD SUPPORT ASSEMBLY
9	1	260559	BOLT, 1/4-20 x 2-1/2"
10	1	253615	PIN COLLAR x 1/2"
11	1	040366	NUT, NYLON LOCK 5/16-18
12	1	253595	BEARING, SELF-LUBE 1.25
13	1	253586	PIN
14	2	040604	BOLT, 5/16-18 x 1
15	2	030564	WASHER, FLAT, 1/4"
16	2	225278-02	BUMPER
17	1	253696	PIN COLLAR x 2-3/4"
18	1	253596	BEARING SELF-LUBE x 2.2
19	1	253579	PIN COLLAR WELDMENT
20	2	253511-101	TANDEM ASSEMBLY
21	8	040597	BOLT, 1/4-20 x 3/4"
22	8	030551	WASHER, LOCK, 1/4"
23	1	253614	CHAIN BRACKET WELDMENT

R.H. CHAIN ASSEMBLY



ITEM	QTY.	DESCRIPTION	PLATFORM SIZE (ASSEMBLY PART NUMBER)					
			42" x 42" 262532-02	42" x 30" 262532-04	36" x 36" 262532-06	36" x 24" 262532-08	30" x 30" 262532-10	42" x 48" (1 Pc) 262532-12
1	1	TEAR DROP ASSY. RH	260742-02					
1a	1	BRNG, SELF-LUBE 1 x 1/2	260078					
1b	1	BRNG, SELF-LUBE 1/2 x 1/2	253542					
2	2	DOUBLE CLEVIS	253585-01					
3	1	CHAIN	253606-13	253606-14	253606-15		253606-07	
4	2	SLEEVE 14-1/4" LONG	261609-05		N/A			
		SLEEVE 12" LONG	N/A		261609-02	N/A		
		SLEEVE 10" LONG	N/A			261609-04	N/A	
5	1	SLEEVE 16-1/2" LONG	261609-03	N/A				
6	1	SLEEVE 25-3/4" LONG	N/A	261609-01	N/A		261609-01	N/A
		SLEEVE 32-1/4" LONG	261609-06	N/A	261609-06	N/A		
		SLEEVE 23" LONG	N/A			261609-07	N/A	
7	6	TIE WRAP (NOT SHOWN)	205780					
8	1	CLEVIS PIN	260781					
9	1	COTTER PIN	260836-01					
10	1	OPENER ASSEMBLY (RH)	262531-02	262531-04	262531-06	262531-08	262531-10	N/A

L.H. CHAIN ASSEMBLY

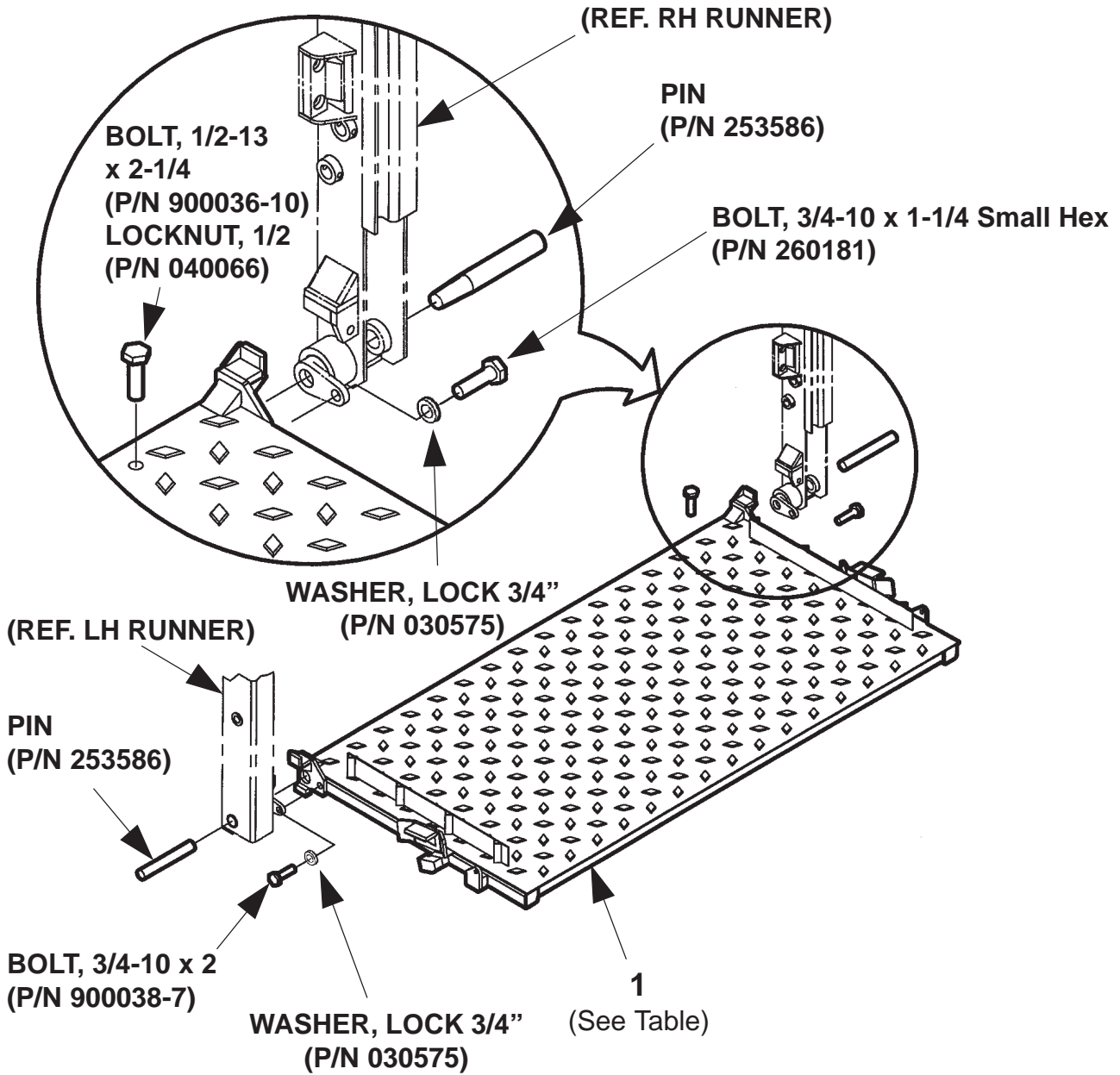


ITEM	QTY.	DESCRIPTION	PLATFORM SIZE (ASSEMBLY PART NUMBER)					
			42" x 42" 262532-01	42" x 30" 262532-03	36" x 36" 262532-05	36" x 24" 262532-07	30" x 30" 262532-09	42" x 48" (1 Pc) 262532-11
1	1	TEAR DROP ASSY. LH	260742-01					
1a	1	BRNG, SELF-LUBE 1 x 1/2	260078					
1b	1	BRNG, SELF-LUBE 1/2 x 1/2	253542					
2	2	DOUBLE CLEVIS	253585-01					
3	1	CHAIN	253606-13	253606-14	253606-15		253606-07	
4	2	SLEEVE 14-1/4" LONG	261609-05		N/A			
		SLEEVE 12" LONG	N/A		261609-02	N/A		
		SLEEVE 10" LONG	N/A			261609-04	N/A	
5	1	SLEEVE 16-1/2" LONG	261609-03	N/A				
6	1	SLEEVE 25-3/4" LONG	N/A	261609-01	N/A		261609-01	N/A
		SLEEVE 32-1/4" LONG	261609-06	N/A	261609-06	N/A		
		SLEEVE 23" LONG	N/A			261609-07	N/A	
7	6	TIE WRAP (NOT SHOWN)	205780					
8	1	CLEVIS PIN	260781					
9	1	COTTER PIN	260836-01					
10	1	OPENER ASSEMBLY (LH)	262531-01	262531-03	262531-05	262531-07	262531-09	N/A

1-PC. PLATFORM ASSEMBLY

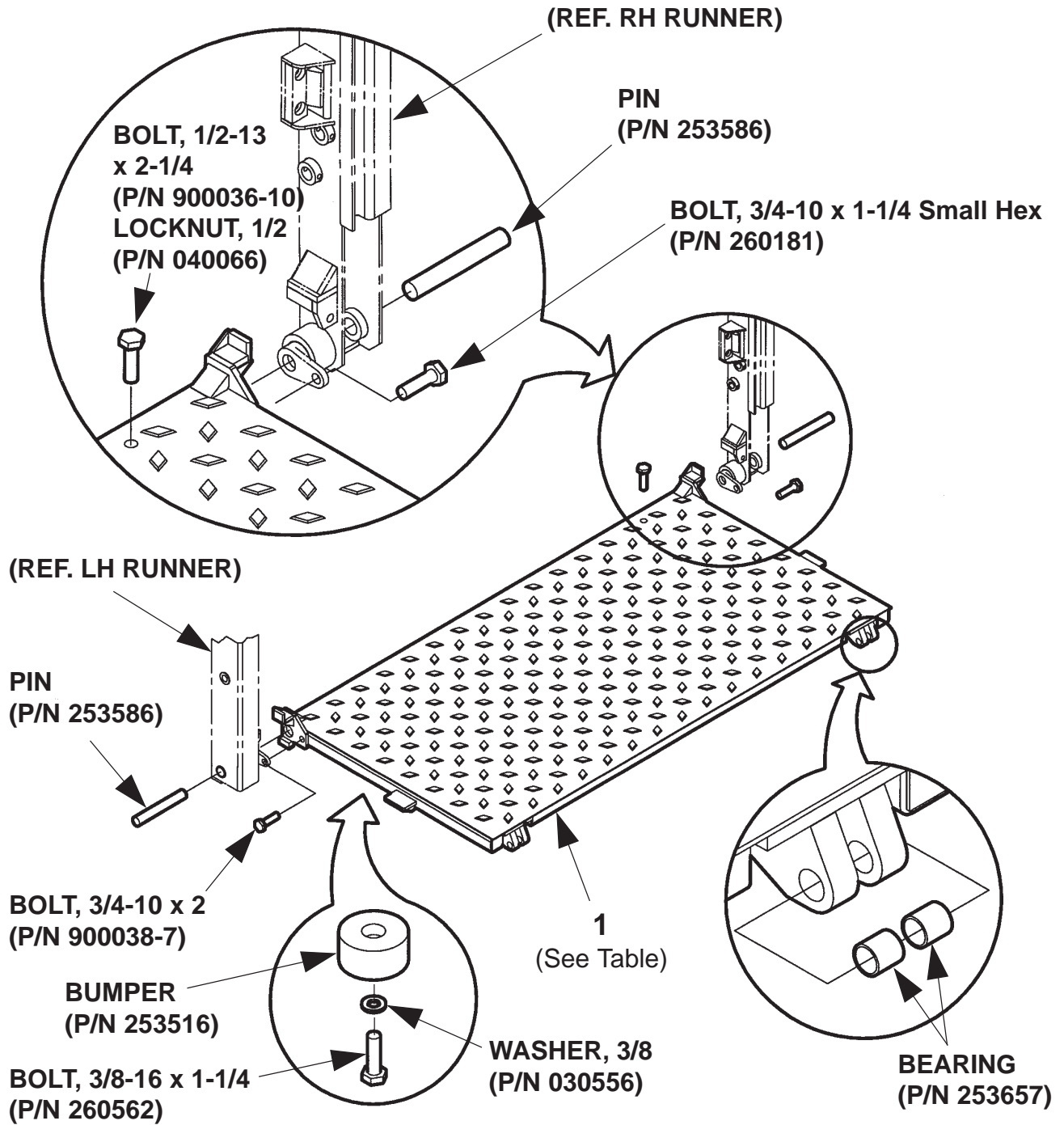
MAXON

11921 Slauson Ave. Santa Fe Springs, CA. 90670 (800) 227-4116 FAX (888) 771-7713



ITEM	QTY.	DESCRIPTION	42" DEEP	48" DEEP
1	1	PLATFORM, 96" WIDE VEHICLE	260090-01	260090-02
		PLATFORM, 102" WIDE VEHICLE	260090-03	260090-04

PLATFORM ASSEMBLY, BMR-44

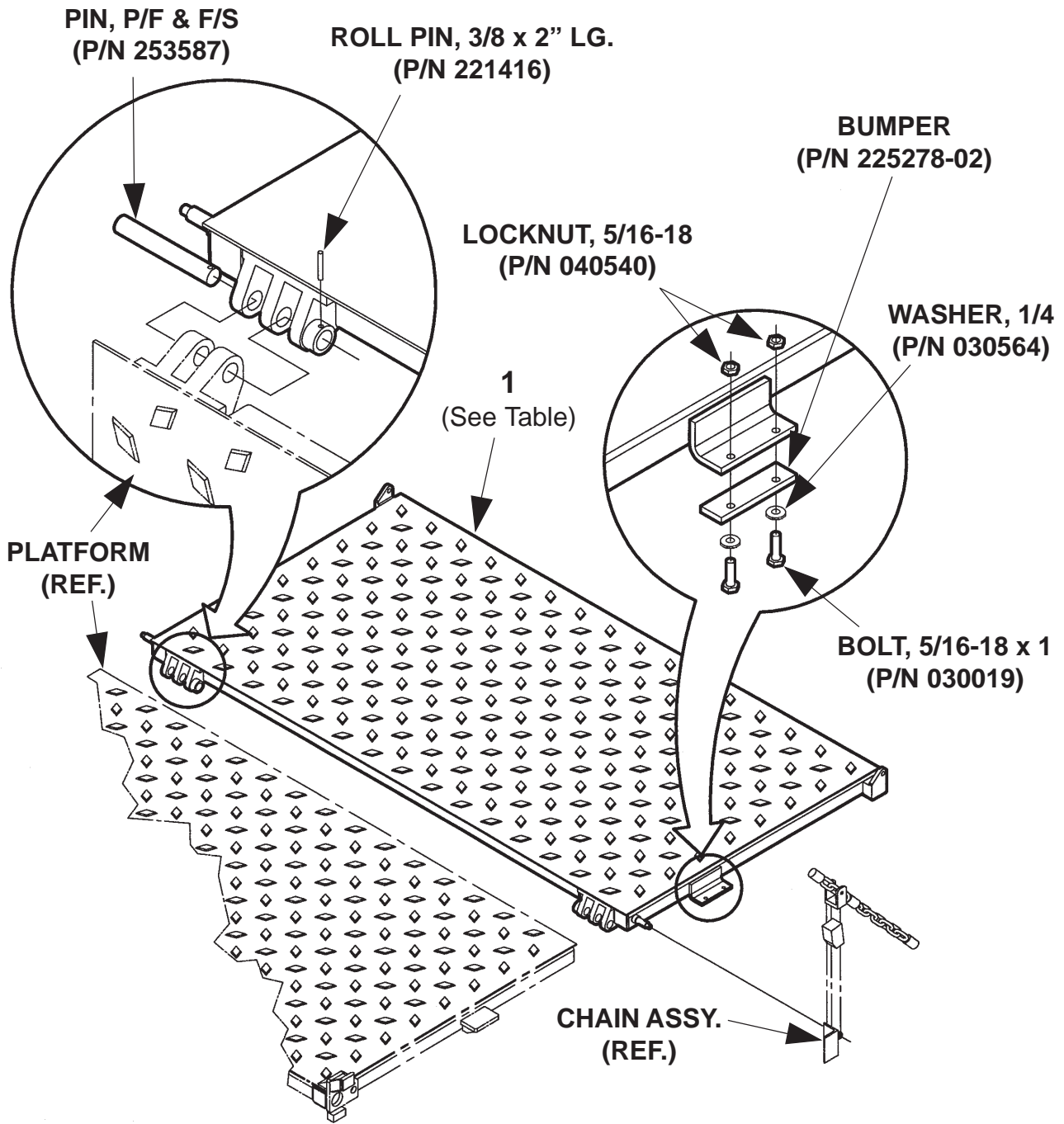


ITEM	QTY.	DESCRIPTION	30" DEEP	36" DEEP	42" DEEP
1	1	PLATFORM, 96" WIDE VEHICLE	253575-07	253575-08	253575-09
		PLATFORM, 102" WIDE VEHICLE	253575-10	253575-11	253575-12

FOLDOVER ASSEMBLY BMR-44

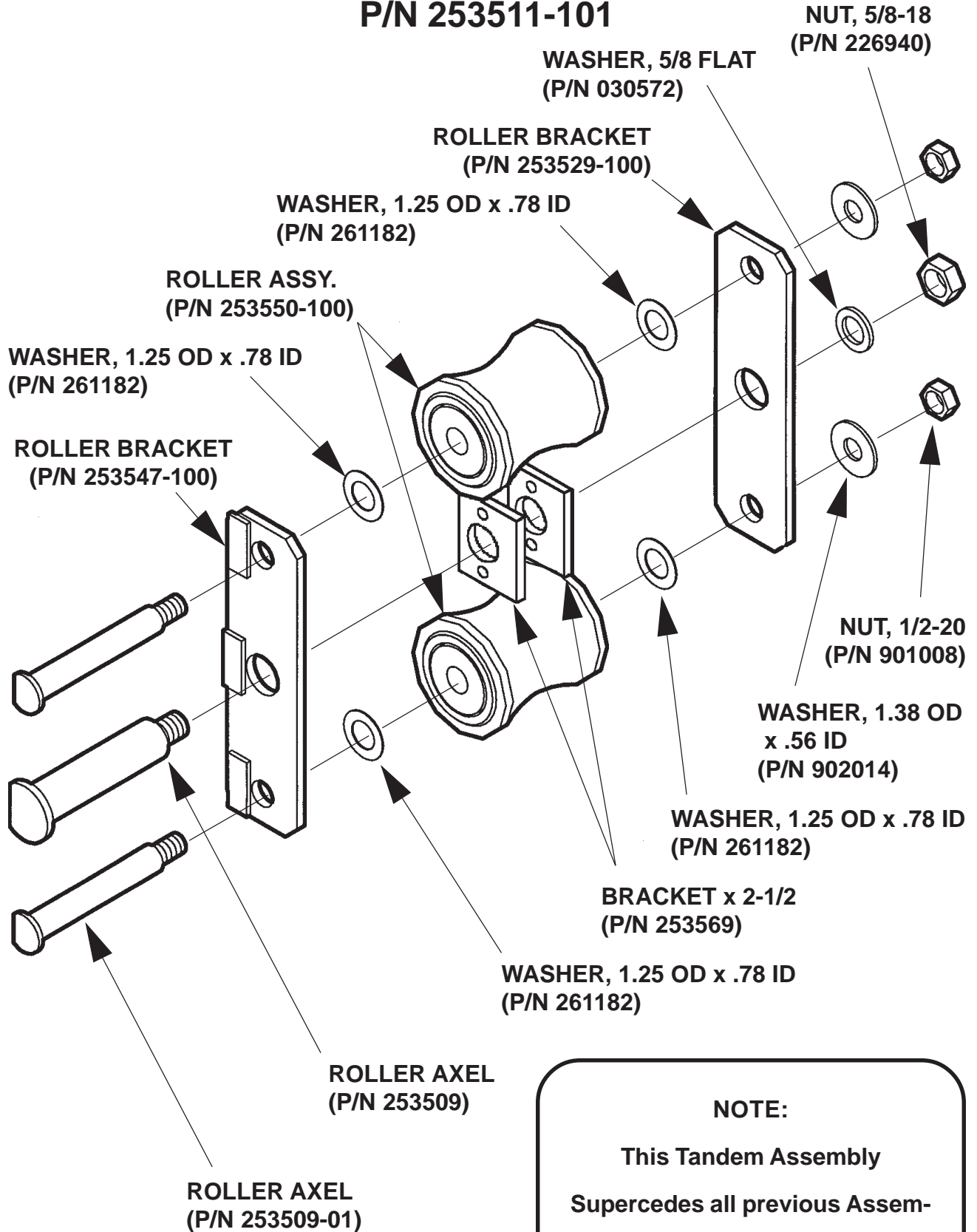
MAXON

11921 Slauson Ave. Santa Fe Springs, CA. 90670 (800) 227-4116 FAX (888) 771-7713



ITEM	QTY.	DESCRIPTION	24" DEEP	30" DEEP	36" DEEP	42" DEEP
1	1	FOLDOVER, 96" WIDE VEHICLE	262527-13	262527-01	262527-02	262527-03
		FOLDOVER, 102" WIDE VEHICLE	262527-14	262527-04	262527-05	262527-06

TANDEM ASSEMBLY P/N 253511-101

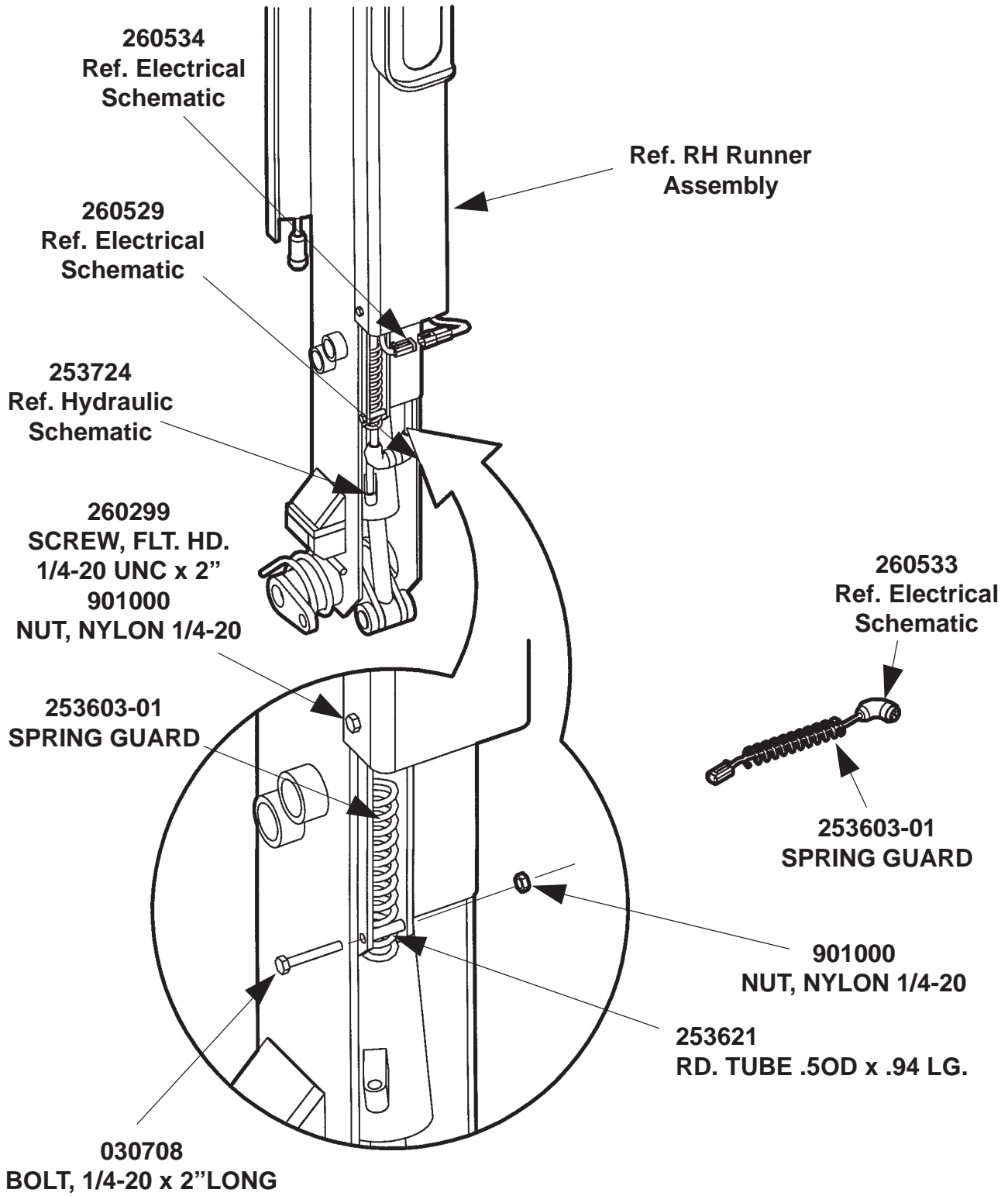


NOTE:
This Tandem Assembly
Supersedes all previous Assemblies
and is fully compatible

SPRING GUARD MOUNTING

MAXON[®]

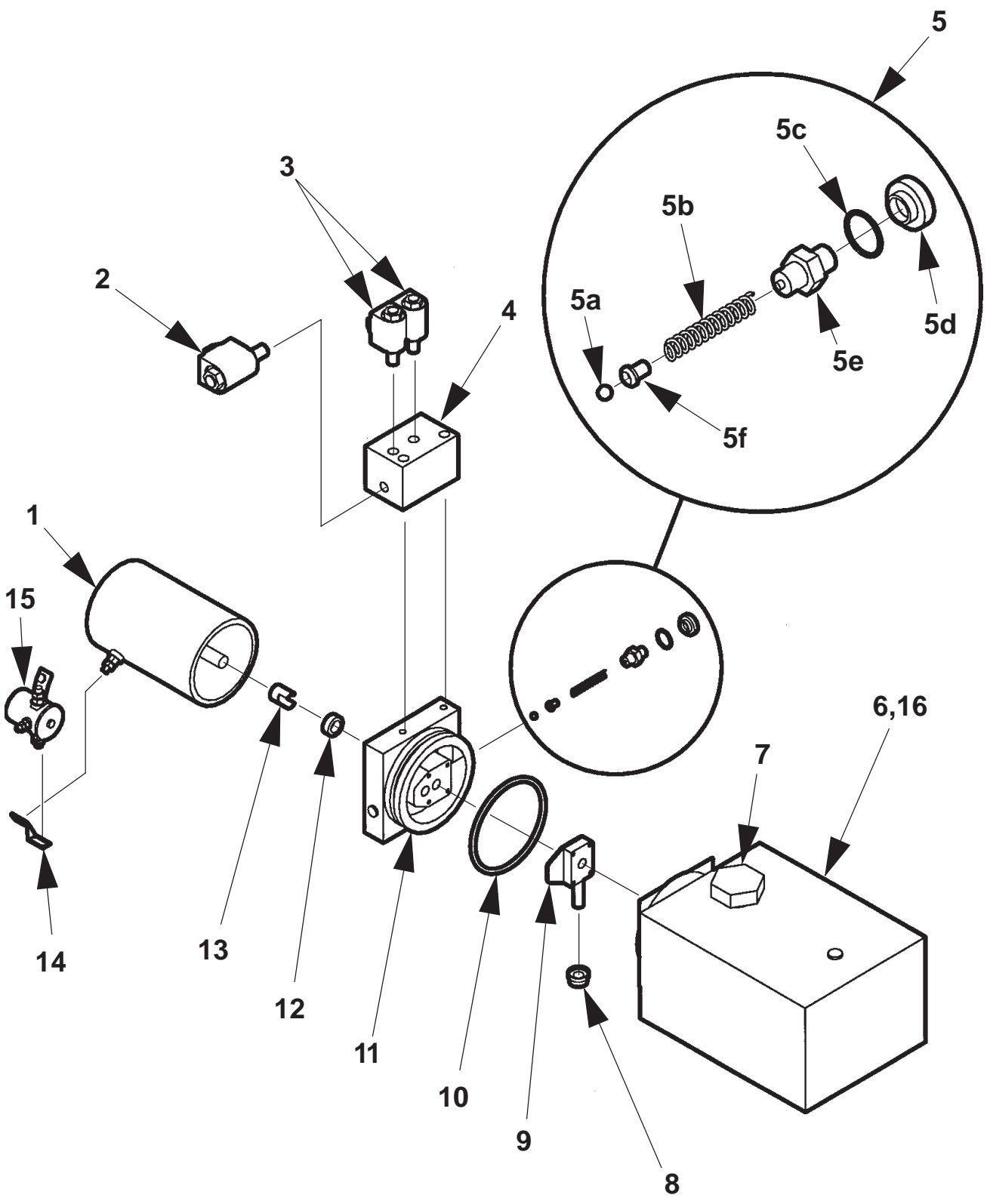
11921 Slauson Ave. Santa Fe Springs, CA. 90670 (800) 227-4116 FAX (888) 771-7713



HYDRAULIC SECTION

PUMP 253515 (1994 TO JAN.1997)

MAXON[®]
11921 Slauson Ave. Santa Fe Springs, CA. 90670 (800) 227-4116 FAX (888) 771-7713



PUMP 253515 (1994 TO JAN.1997)

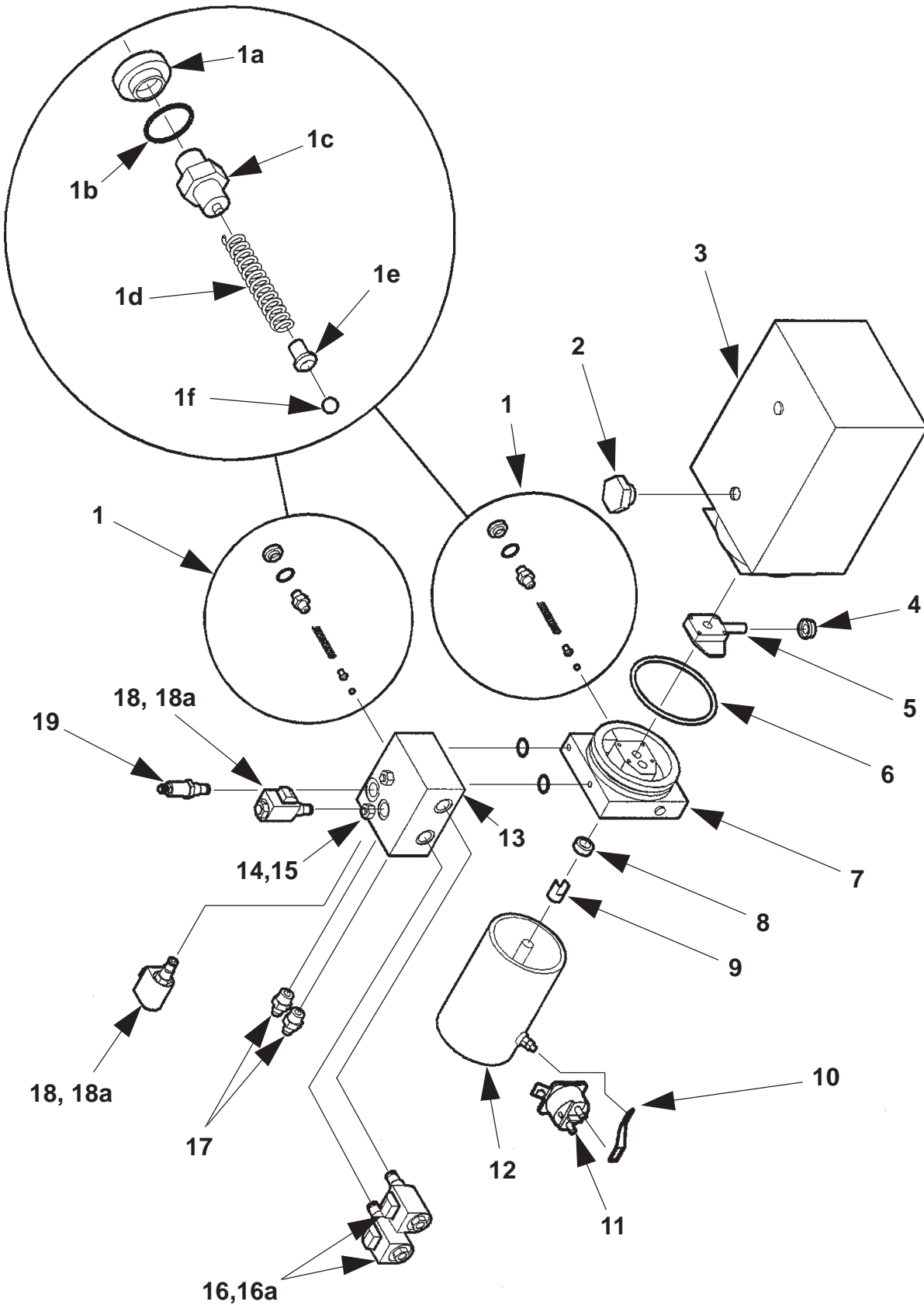
ITEM	QTY.	PART NO.	DESCRIPTION
1	1	250093	HEAVY DUTY MOTOR, 12 VDC
2	1	260276	VALVE, SOLENOID 4-WAY
*2a	1	226595	O-RING KIT, 4-WAY VALVE
3	2	253353	VALVE, SOLENOID 2-WAY
*3a	2	226594	O-RING KIT, 2-WAY VALVE
4	1	260275	MANIFOLD BLOCK ASSEMBLY
5	1	260229	RELIEF VALVE KIT
5a	1	260230	STEEL BALL
5b	1	260231	SPRING
5c	1	260235	O-RING
5d	1	260234	VALVE CAP
5e	1	260232	ADJUSTING SCREW
5f	1	260233	SPRING GUIDE
6	1	260263	RESERVOIR, 2.5 GAL.
7	1	229193	FILLER/BREATHER CAP
8	1	260250	FILTER
9	1	260236	PUMP ASSEMBLY
10	1	251884	O-RING
11	1	260274	DRIVEPLATE ASSEMBLY, 5"
12	1	260261	OIL SEAL
13	1	229200	COUPLING
14	1	229199	BUS BAR
15	1	260270	SOLENOID SWITCH
*16	4	229202	CAPSCREW, HEX HD. WASHER

* NOT SHOWN

PUMP 260545 (JAN.1997 TO PRESENT)

MAXON[®]

11921 Slauson Ave. Santa Fe Springs, CA. 90670 (800) 227-4116 FAX (888) 771-7713



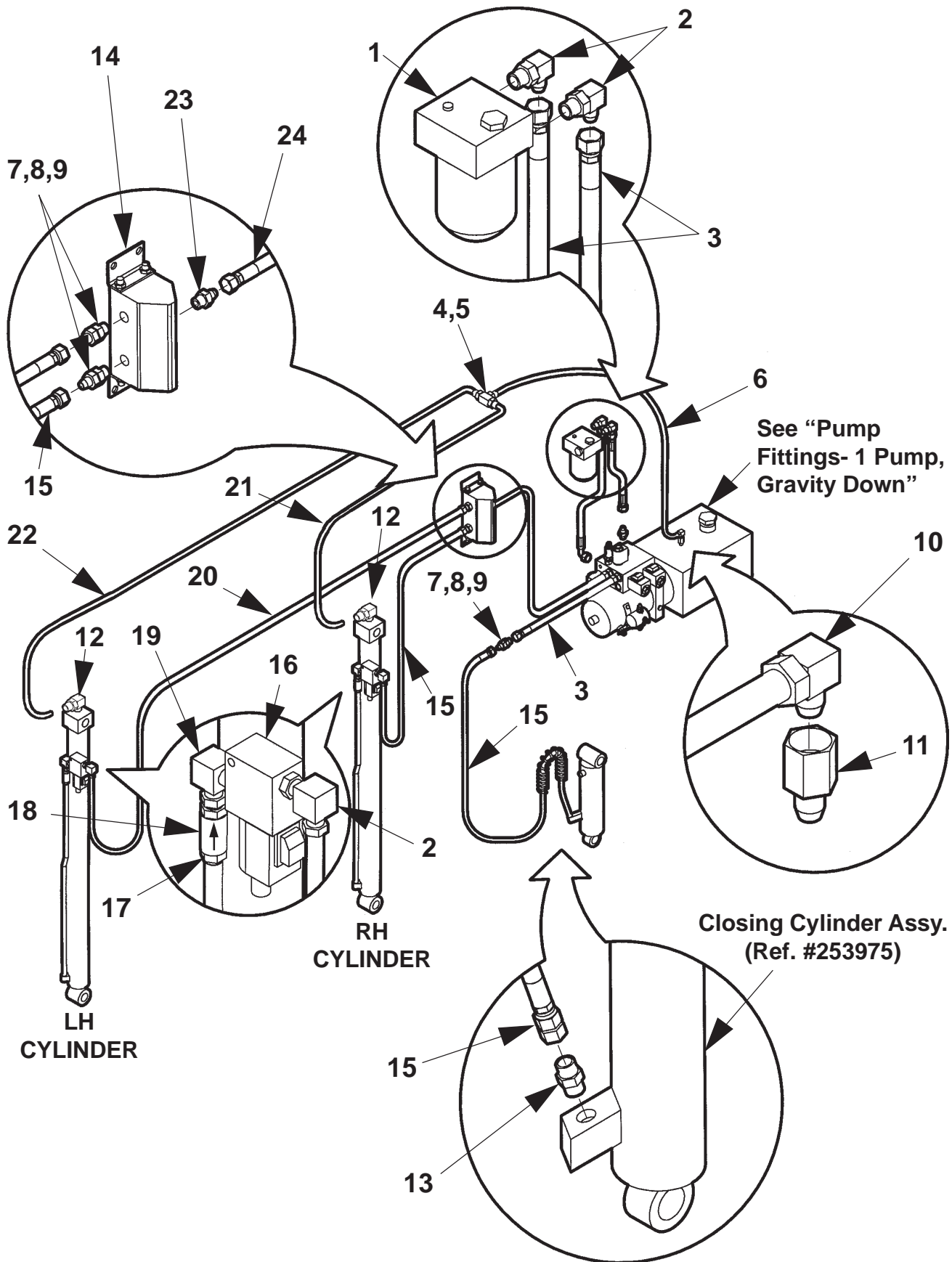
PUMP 260545 (JAN.1997 TO PRESENT)

ITEM	QTY.	PART NO.	DESCRIPTION
1	2	260229	RELIEF VALVE KIT
1a	1	260234	VALVE CAP
1b	1	260235	O-RING
1c	1	260232	ADJUSTING SCREW
1d	1	260231	SPRING
1e	1	260233	SPRING GUIDE
1f	1	260230	STEEL BALL
2	1	260847	FILLER-BREATHER CAP
3	1	261106	RESERVOIR, 2.5 GAL.
4	1	260250	FILTER
5	1	260236	PUMP ASSEMBLY
6	1	251884	O-RING
7	1	260274	DRIVEPLATE ASSEMBLY 5"
8	1	260261	OIL SEAL
9	1	229200	COUPLING
10	1	262966	BUS BAR
11	1	262939	SOLENOID, PRESTOLITE
12	1	250093	HEAVY DUTY MOTOR, 12 VDC
13	1	261734	MANIFOLD BLOCK ASSEMBLY
14	2	262033	CONTROL, NEEDLE VALVE
15	2	262520	O-RING, NEEDLE VALVE
16	2	260276	VALVE, SOLENOID, 4-WAY
16a	2	226595	O-RING KIT, 4-WAY VALVE
17	2	253706	STR. UNION, SAE #8 x JIC #8 M-M
18	2	253353	VALVE, SOLENOID, 2-WAY
18a	2	226594	O-RING KIT, 2-WAY VALVE
19	1	905195	VALVE, RELIEF

HYD. COMPONENTS, 1 PUMP GRAVITY DOWN

MAXON

11921 Slauson Ave. Santa Fe Springs, CA. 90670 (800) 227-4116 FAX (888) 771-7713



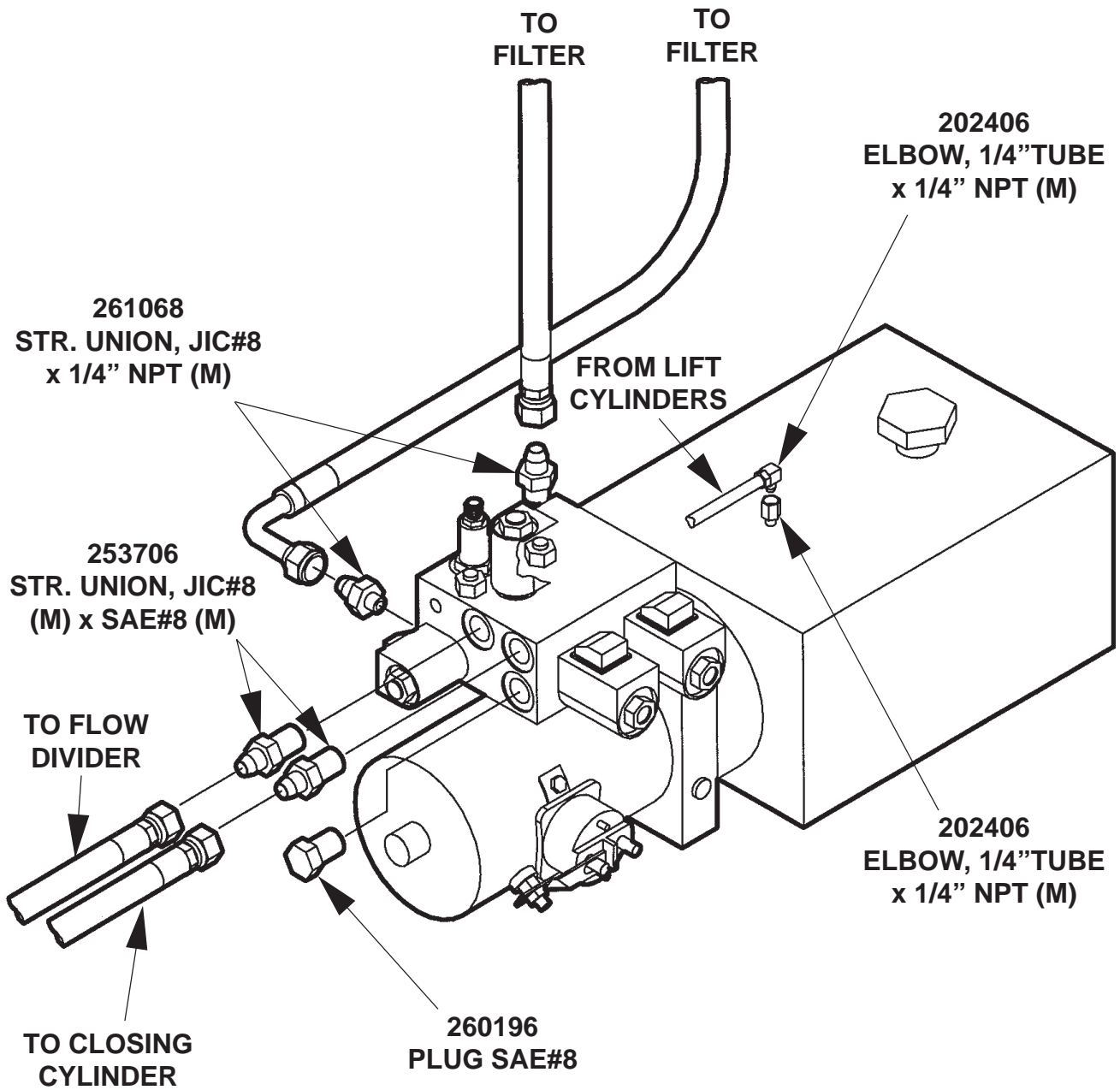
HYD. COMPONENTS, 1 PUMP GRAVITY DOWN

ITEM	QTY.	PART NO.	DESCRIPTION
1	1	260920	SPIN-ON FILTER & BLOCK
1a	1	262412	FILTER ELEMENT
2	4	253712	ELBOW, JIC#8 x SAE#6 ADJUST.
3	3	253715	HOSE, 3/8HP JIC#8 F-F x 11-5/8"
4	1	800190	TEE, 1/4"
5	3	905141-04	STR. FTG. 1/4 TUBE x 1/4 NPT (M)
6	1	224370-17	RETURN LINE HOSE 1/4" x 30"LG.
7	3	261461	STR. BULKHEAD JIC#8
8	3	261462	NUT, BULKHEAD JIC#8
9	3	261182	WASHER, FLAT 1-1/4" x 3/4"
10	1	202406	ELBOW, 1/4 TUBE x 1/4 NPT (M)
11	1	800183	BUSHING, 3/8 NPT (M) x 1/4 NPT (F)
12	2	260117	ELBOW, 1/2" TUBE x 1/4"NPT
13	1	253723	STR. THD. SAE#6 X JIC#5
14	1	253513	FLOW DIVIDER
15	2	253707	HOSE, 3/8HP JIC#8 M-F x 40-11/16"
16	2	253942	HYD. LOCK VLV. W/MAN. OVERRIDE
17	2	253763	FTG. 1/2" TUBE x 1/4" NPT (M)
18	2	253745	VALVE, PRESSURE COMP. 3 GPM
19	2	260164	ELBOW, SAE#6 (M) x 1/4 NPT (M)
20	1	253972	HOSE, 3/8HP JIC#8 M-F (SW) x 138"
21	1	224370-11	HOSE, PLASTIC 1/4" x 87" LONG
22	1	224370-10	HOSE, PLASTIC 1/4" x 177" LONG
23	1	253706	STR. THD. SAE#8 X JIC#8
24	1	253700	HOSE, 3/8HP JIC#8 F-F x 23-5/8"

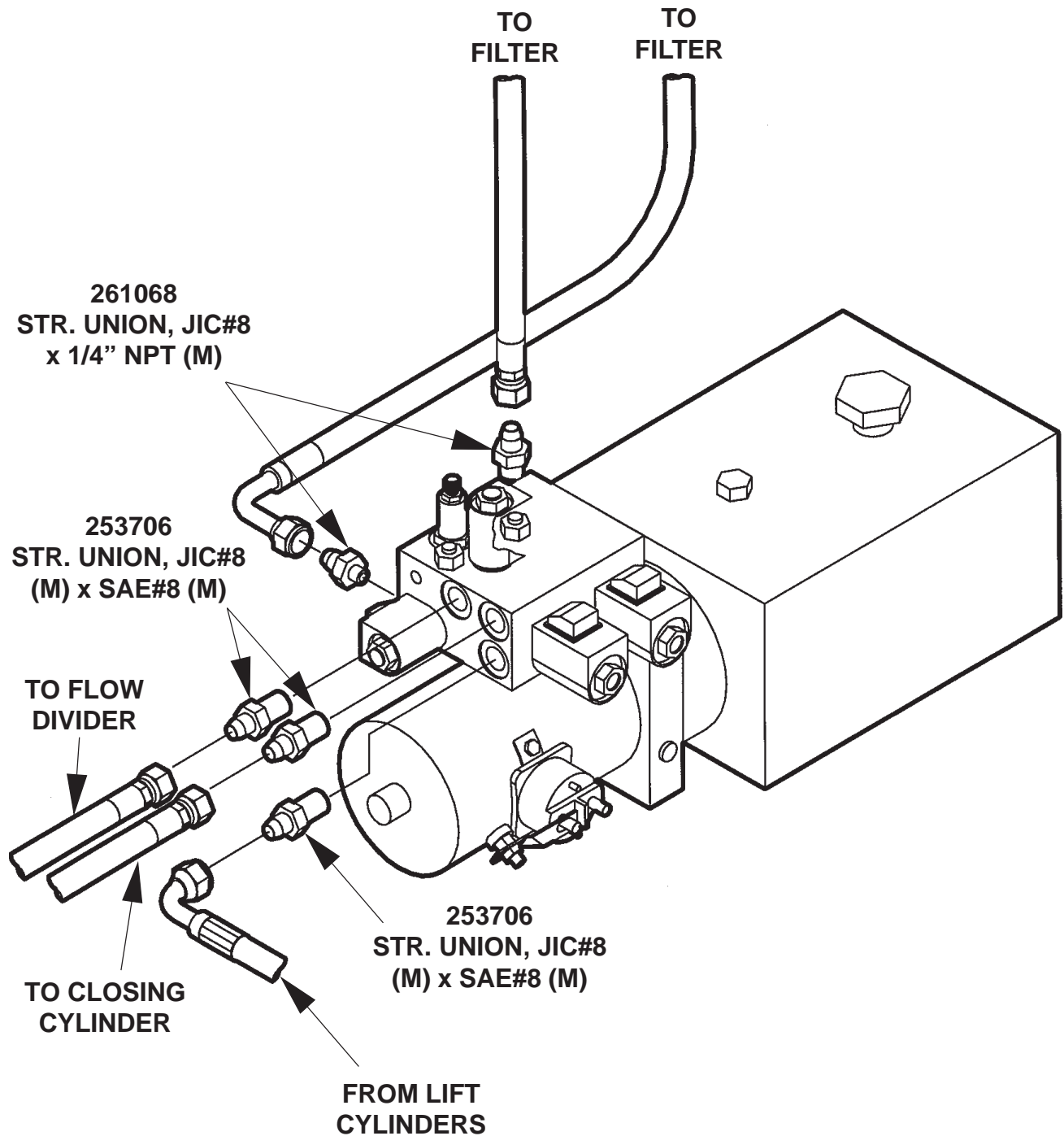
PUMP FITTINGS, 1 PUMP GRAVITY DOWN

MAXON[®]

11921 Slauson Ave. Santa Fe Springs, CA. 90670 (800) 227-4116 FAX (888) 771-7713



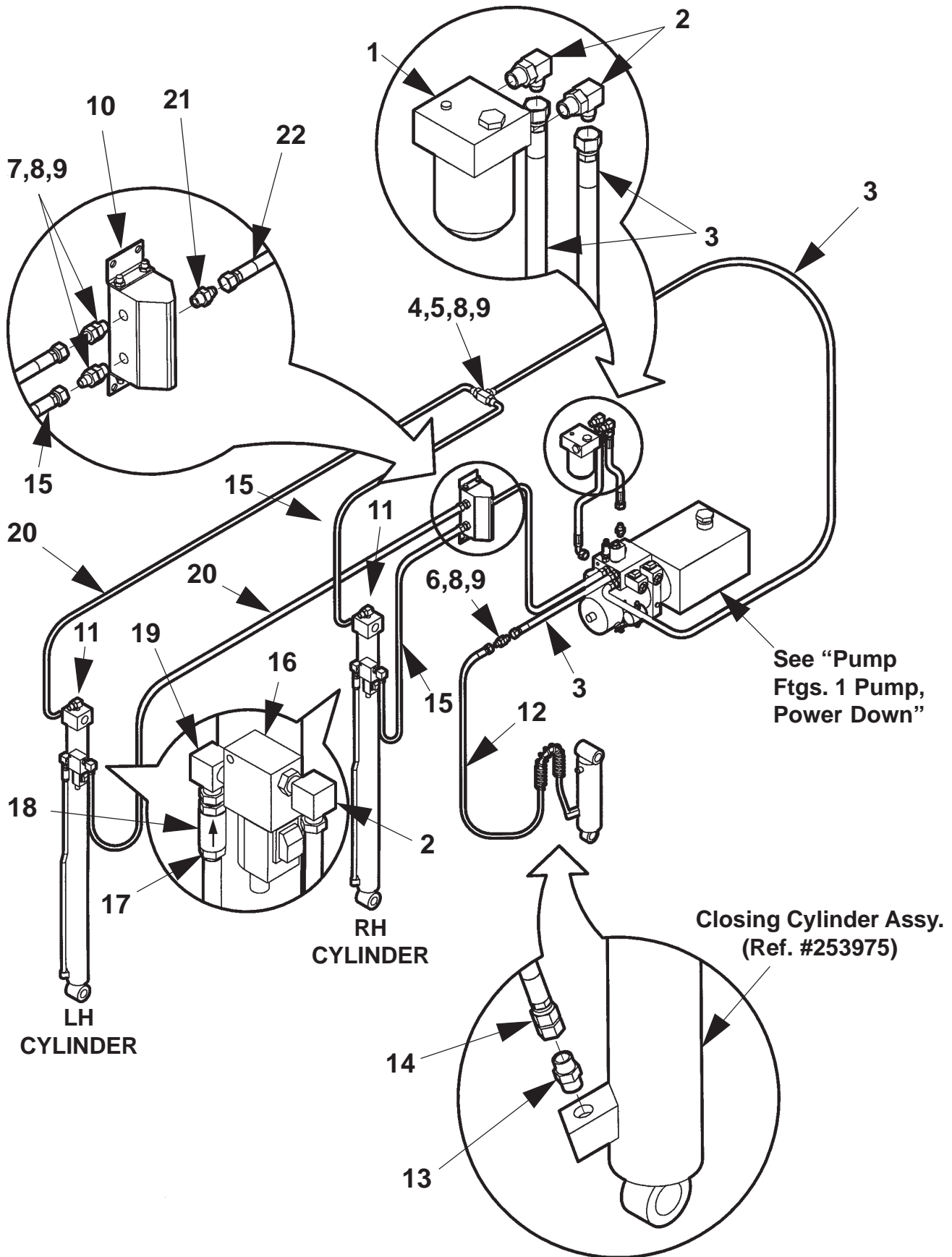
PUMP FITTINGS, 1 PUMP POWER DOWN



HYD. COMPONENTS, 1 PUMP POWER DOWN

MAXON[®]

11921 Slauson Ave. Santa Fe Springs, CA. 90670 (800) 227-4116 FAX (888) 771-7713



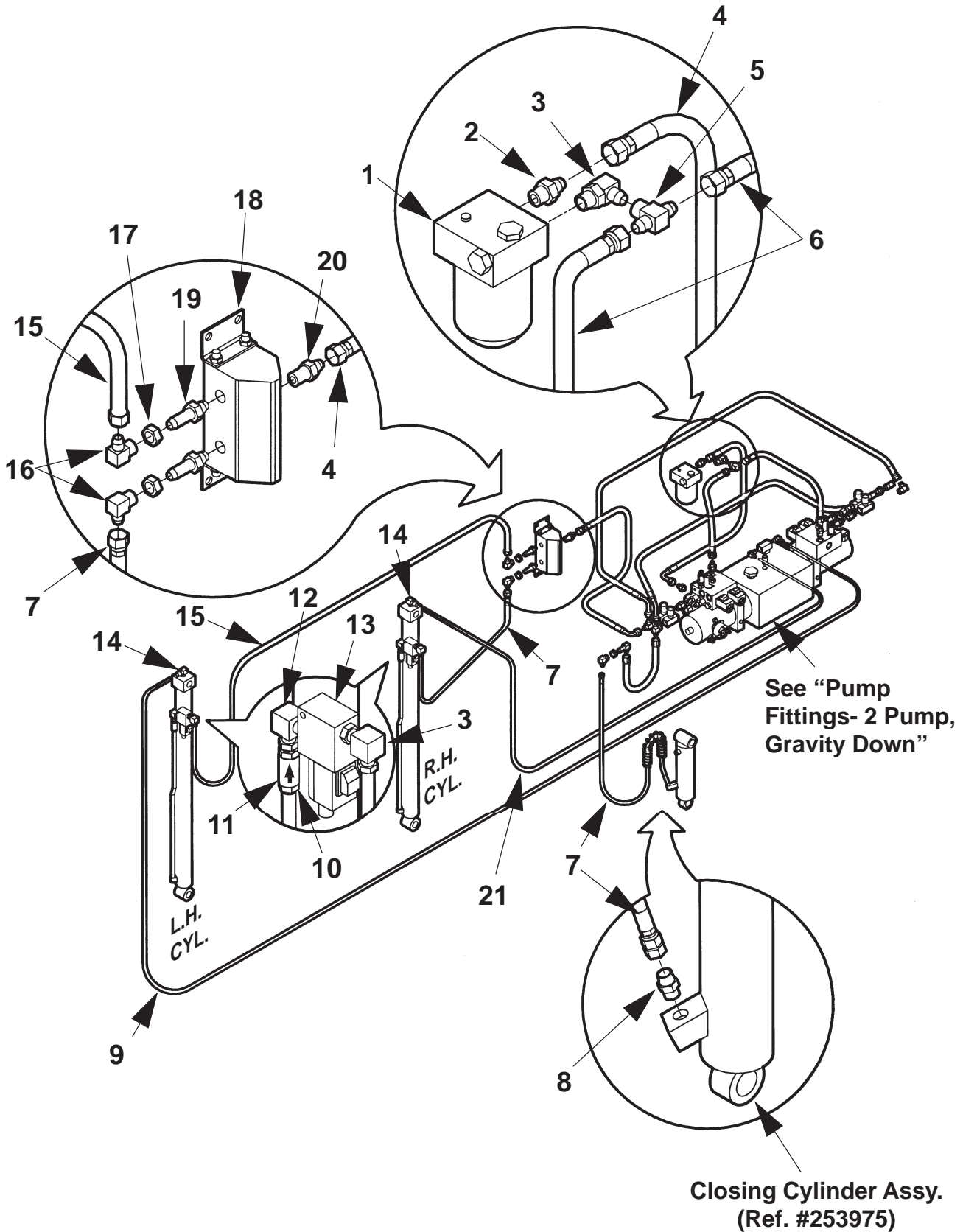
HYD. COMPONENTS, 1 PUMP POWER DOWN

ITEM	QTY.	PART NO.	DESCRIPTION
1	1	260920	SPIN-ON FILTER & BLOCK
1a	1	262412	FILTER ELEMENT
2	4	253712	ELBOW, JIC#8 x SAE#6 ADJUST.
3	4	253715	HOSE, 3/8HP JIC#8 F-F x 11-5/8"
4	1	260976	TEE, JIC#8 BULKHEAD
5	2	260120	ELBOW, M JIC#8 x F SWVL. JIC#8
6	1	261463	ELBOW, BULKHEAD JIC#8
7	2	261461	STR. BULKHEAD JIC#8
8	4	261462	NUT, BULKHEAD JIC#8
9	4	261182	WASHER, FLAT 1-1/4" x 3/4"
10	1	253513	FLOW DIVIDER
11	2	260117	ELBOW, 1/2" TUBE x 1/4"NPT
12	1	253779	HOSE, 3/8HP JIC#8 M-M x 41-1/8"
13	1	253723	STR. THD. SAE#6 X JIC#5
14	1	253724	HOSE, 1/4HP JIC#5 xJIC#6 x 41-3/4"
15	2	253707	HOSE, 3/8HP JIC#8 M-F x 40-11/16"
16	2	253942	HYD. LOCK VLV. W/MAN. OVERRIDE
17	2	253763	FTG. 1/2" TUBE x 1/4" NPT (M)
18	2	253745	VALVE, PRESSURE COMP. 3 GPM
19	2	260164	ELBOW, SAE#6 (M) x 1/4 NPT (M)
20	2	253972	HOSE, 3/8HP JIC#8 M-F (SW) x 138"
21	1	253706	STR. THD. SAE#8 X JIC#8
22	1	253700	HOSE, 3/8HP JIC#8 F-F x 23-5/8"

HYD. COMPONENTS, 2 PUMP GRAVITY DOWN

MAXON[®]

11921 Slauson Ave. Santa Fe Springs, CA. 90670 (800) 227-4116 FAX (888) 771-7713



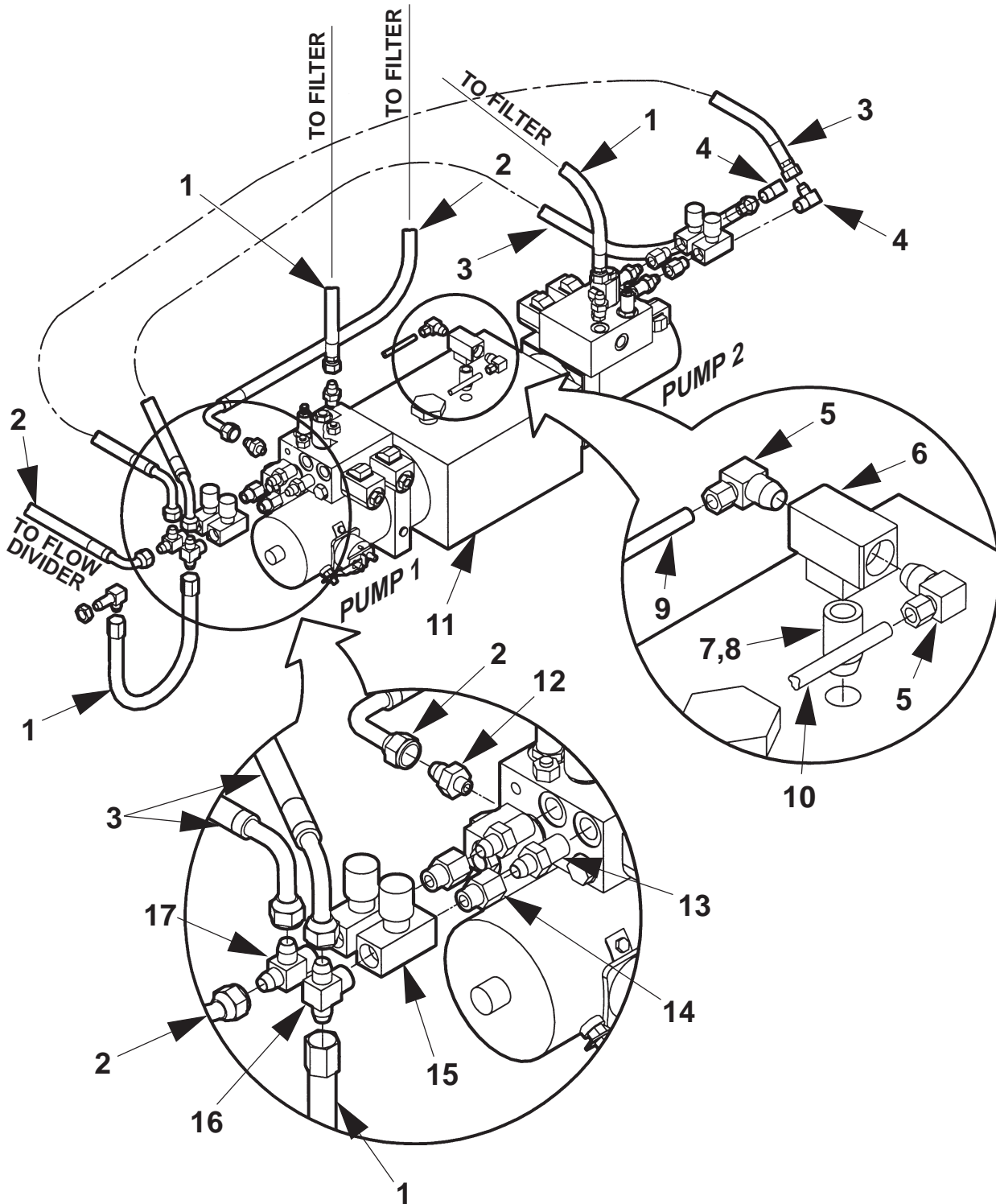
HYD. COMPONENTS, 2 PUMP GRAVITY DOWN

ITEM	QTY.	PART NO.	DESCRIPTION
1	1	260920	SPIN-ON FILTER & BLOCK
1a	1	262412	FILTER ELEMENT
2	1	253701	STR. UNION MALE, JIC#8 x SAE #6
3	3	253712	ELBOW, JIC#8 x SAE#6 ADJUST.
4	2	253700	HOSE, 3/8HP JIC#8 F-F x 23-5/8"
5	1	260119	TEE, JIC#8, (M) x (F SWIVEL) x (M)
6	2	253715	HOSE, 3/8HP JIC#8 F-F x 11"
7	2	253707	HOSE, 3/8HP JIC#8 M-F x 40-11/16"
8	1	253723	STR. THD. SAE#6 X JIC#5
9	1	224370-10	HOSE, PLASTIC 1/4" x 177" LONG
10	2	253763	FTG. 1/2" TUBE x 1/4" NPT (M)
11	2	253745	VALVE, PRESSURE COMP. 3 GPM
12	2	260164	ELBOW, SAE#6 (M) x 1/4 NPT (M)
13	2	253942	HYD. LOCK VLV. W/MAN. OVERRIDE
14	2	260117	ELBOW, 1/2" TUBE x 1/4" NPT
15	1	253972	HOSE, 3/8HP JIC#8 M-F (SW) x 138"
16	2	260120	ELBOW, JIC#8 M x JIC#8 F (SW)
17	2	261462	NUT, BULKHEAD JIC#8
18	1	253513	FLOW DIVIDER
19	2	261461	STR. UNION JIC#8 (M) BULKHEAD
20	1	253706	STR. THD. SAE#8 X JIC#8
21	1	224370-11	HOSE, PLASTIC 1/4" x 87" LONG

PUMP FITTINGS, 2 PUMP GRAVITY DOWN

MAXON®

11921 Slauson Ave. Santa Fe Springs, CA. 90670 (800) 227-4116 FAX (888) 771-7713



PUMP FITTINGS, 2 PUMP GRAVITY DOWN

ITEM	QTY.	PART NO.	DESCRIPTION
1	2	253715	HOSE ASSY. 3/8 HP JIC#8 (F-F) x 11"
2	2	253700	HOSE ASSY. 3/8 HP JIC#8 (F-F) x 23"
3	2	261078	HOSE ASSY. 3/8 HP JIC#8 (F-F) x 40"
4	2	040395	ELBOW, 90° 3/8 NPT(M) x JIC#8 (M)
5	2	202406	ELBOW, 90° 1/4 NPT(M) x 1/4 TUBE
6	1	800190	TEE, 1/4 NPT (F)
7	1	800183	BUSHING, 3/8 NPT(M) x 1/4 NPT(F)
8	1	800126	NIPPLE, CLOSE 1/4 NPT (SCH. 80)
9	1	224370-11	HOSE, PLASTIC 1/4" x 87" LG
10	1	224370-10	HOSE, PLASTIC 1/4" x 177" LG
11	1	260919	DUAL PUMP, 12 VDC
12	1	261068	STR. UNION 1/4 NPT(M) x JIC#8 (M)
13	4	253706	UNION SAE#8 (M)x JIC#8 SWIVEL (M)
14	4	253705	UNION 3/8NPT (M)x JIC#8 SWIVEL (F)
15	4	260490	VALVE, NEEDLE 3/8 NPT (F)
16	1	261464	TEE, JIC#8(M)x 3/8 NPT(M)x JIC#8(M)
17	1	260503	TEE, 3/8 NPT(M)x JIC#8(M)x JIC#8(M)

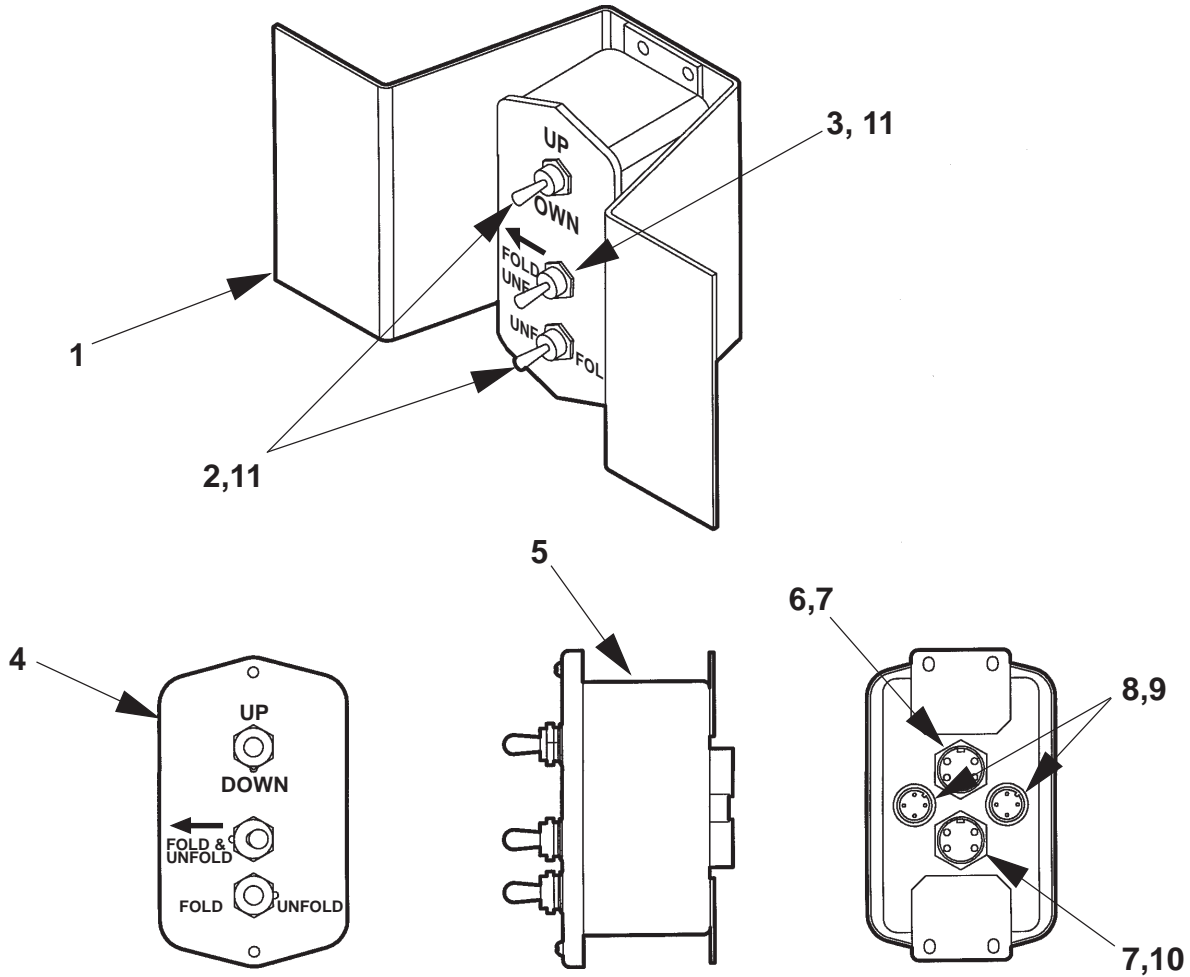
MAXON[®]

11921 Slauson Ave. Santa Fe Springs, CA. 90670 (800) 227-4116 FAX (888) 771-7713

THIS PAGE INTENTIONALLY LEFT BLANK

ELECTRICAL SECTION

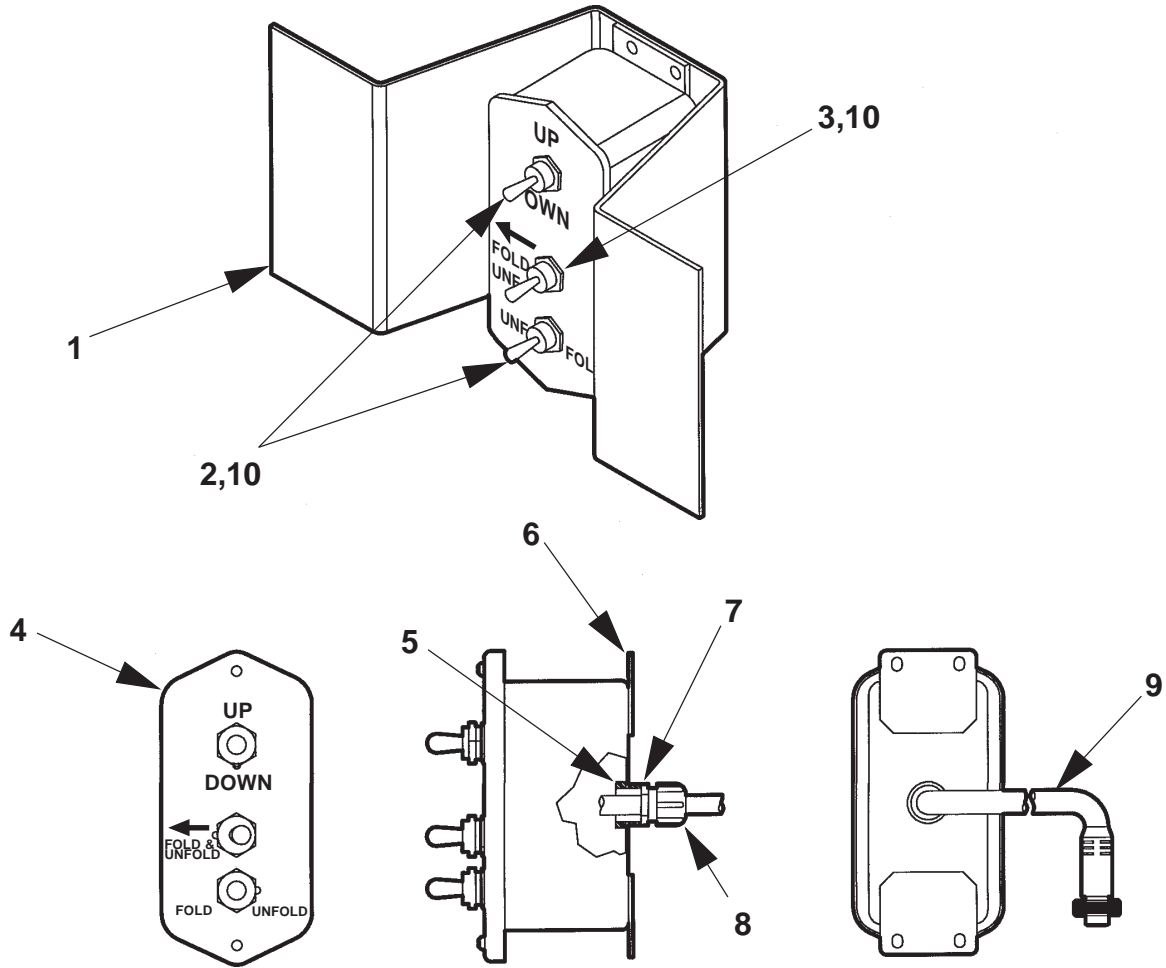
CONTROL BOX GRAVITY DOWN (NEW STYLE) P/N 261167



ITEM	QTY.	PART NO.	DESCRIPTION
1	1	260896	BRACKET, MTG. SWITCH CNTRL BOX
2	2	224849	SWITCH, TOGGLE, 6 TERMINAL
3	1	253971	SWITCH, TOGGLE 2 POS. DBL. POLE
4	1	261173-03	BOX, COVER
5	1	261173-01	CONTROL BOX
6	1	261175	RECEPTACLE ASSY, FEMALE 5 POLE
7	2	253190	NUT, 1/2"
8	2	263296	RECEPTACLE ASSY, FEMALE 3 POLE
9	2	261181	NUT, 1/4"
10	1	261174	RECEPTACLE ASSY, FEMALE 4 POLE
11	3	250876	BOOT, SWITCH RUBBER SEAL

CONTROL BOX GRAVITY DOWN (OLD STYLE)

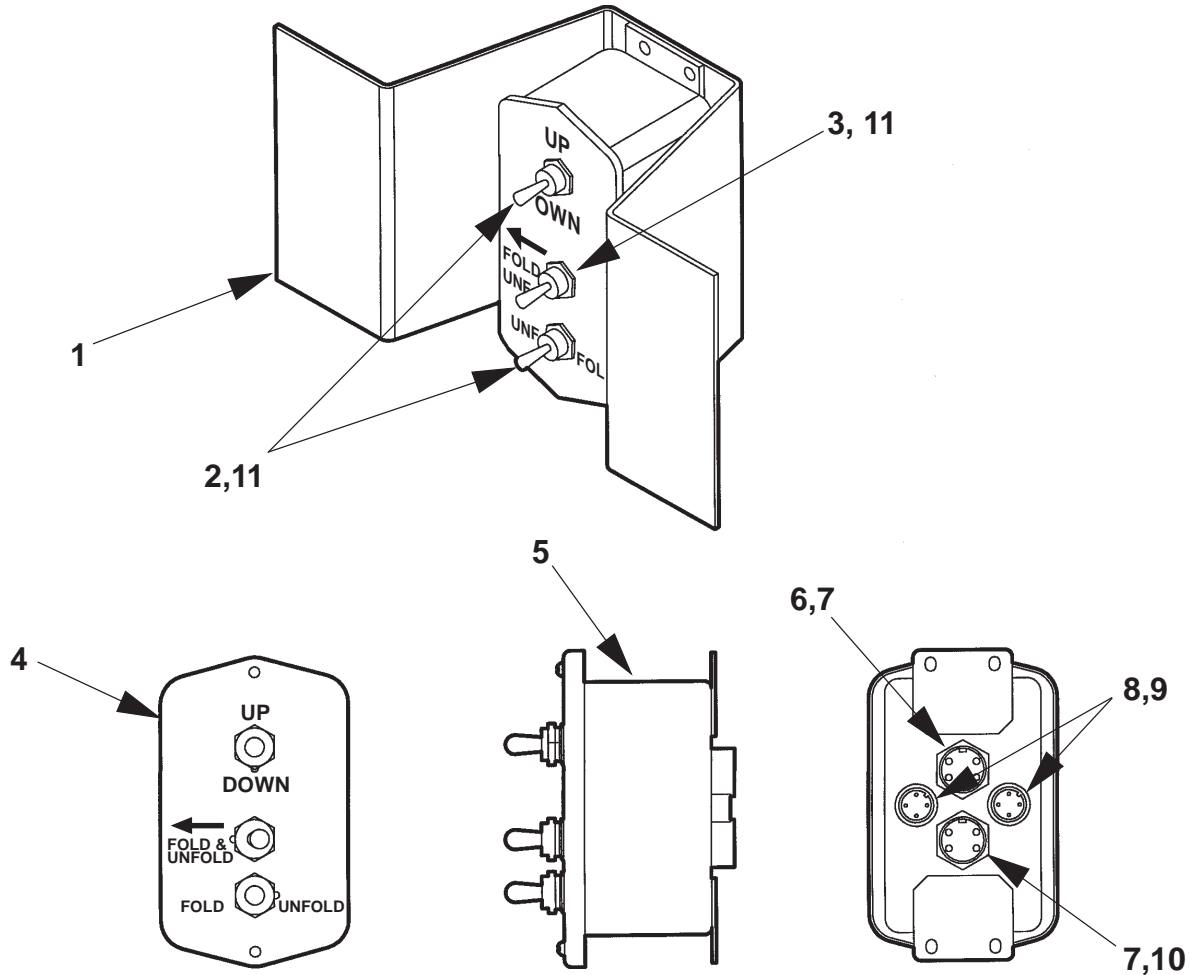
P/N 253727-100



ITEM	QTY.	PART NO.	DESCRIPTION
1	1	260896	BRACKET, MTG. SWITCH CNTRL BOX
2	2	224849	SWITCH, TOGGLE, 6 TERMINAL
3	1	253971	SWITCH, TOGGLE 2 POS. DBL. POLE
4	1	260292	BOX, COVER
5	1	253190	NUT, 1/2" WATERTIGHT FITTING
6	1	260291	CONTROL BOX
7	1	260290	SPACER, SMALL BOX
8	1	213226	CONNECTOR, WATERTIGHT
9	1	253784	CABLE ASSY. 5 POLE x 6FT.
10	3	250876	BOOT, SWITCH RUBBER SEAL

CONTROL BOX POWER DOWN (NEW STYLE)

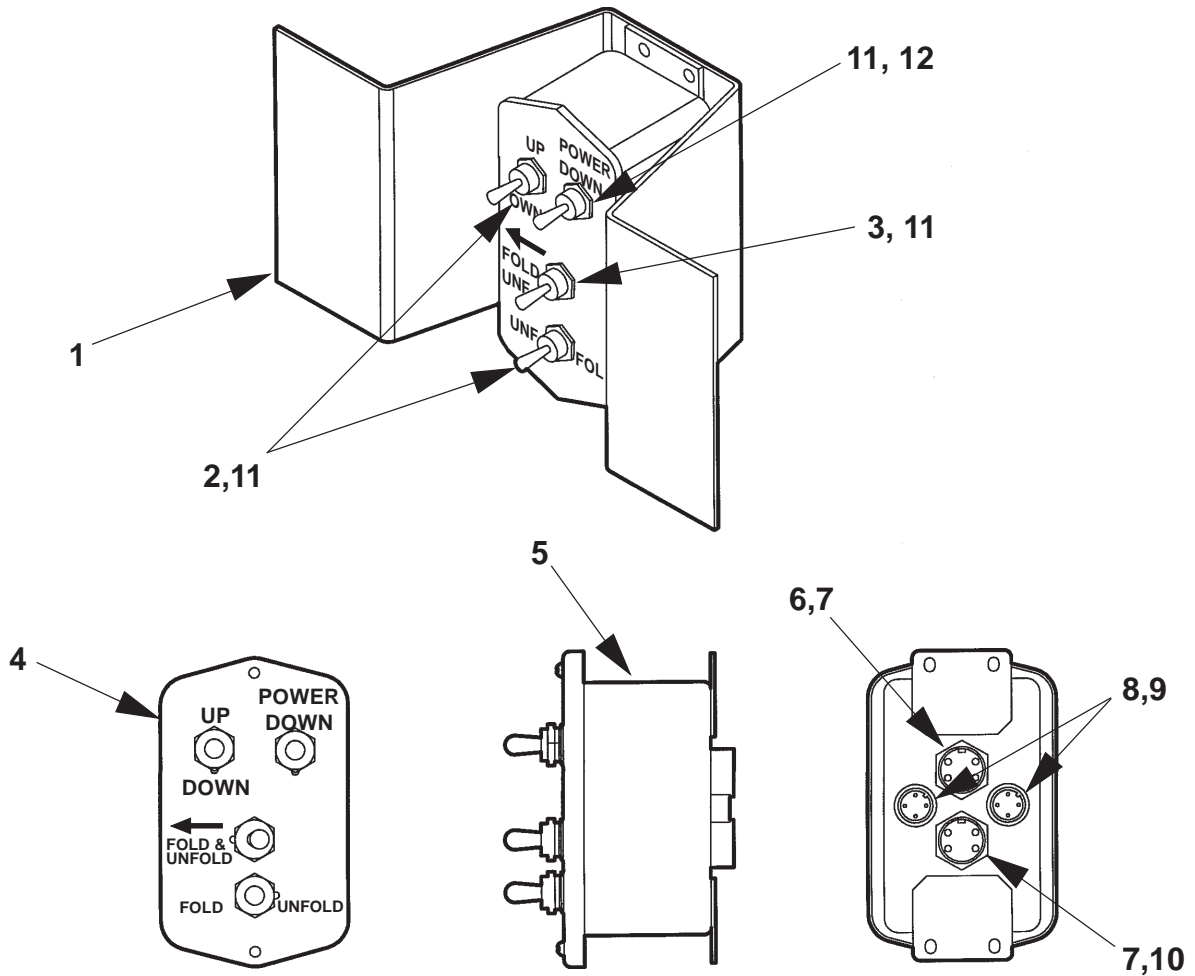
P/N 261167-01



ITEM	QTY.	PART NO.	DESCRIPTION
1	1	260896	BRACKET, MTG. SWITCH CNTRL BOX
2	2	224849	SWITCH, TOGGLE, 6 TERMINAL
3	1	253971	SWITCH, TOGGLE 2 POS. DBL. POLE
4	1	261173-03	BOX, COVER
5	1	261173-01	CONTROL BOX
6	1	261175	RECEPTACLE ASSY, FEMALE 5 POLE
7	2	253190	NUT, 1/2"
8	2	263296	RECEPTACLE ASSY, FEMALE 3 POLE
9	2	261181	NUT, 1/4"
10	1	261174	RECEPTACLE ASSY, FEMALE 4 POLE
11	3	250876	BOOT, SWITCH RUBBER SEAL

CONTROL BOX POWER DOWN (OLD STYLE)

P/N 261167-100

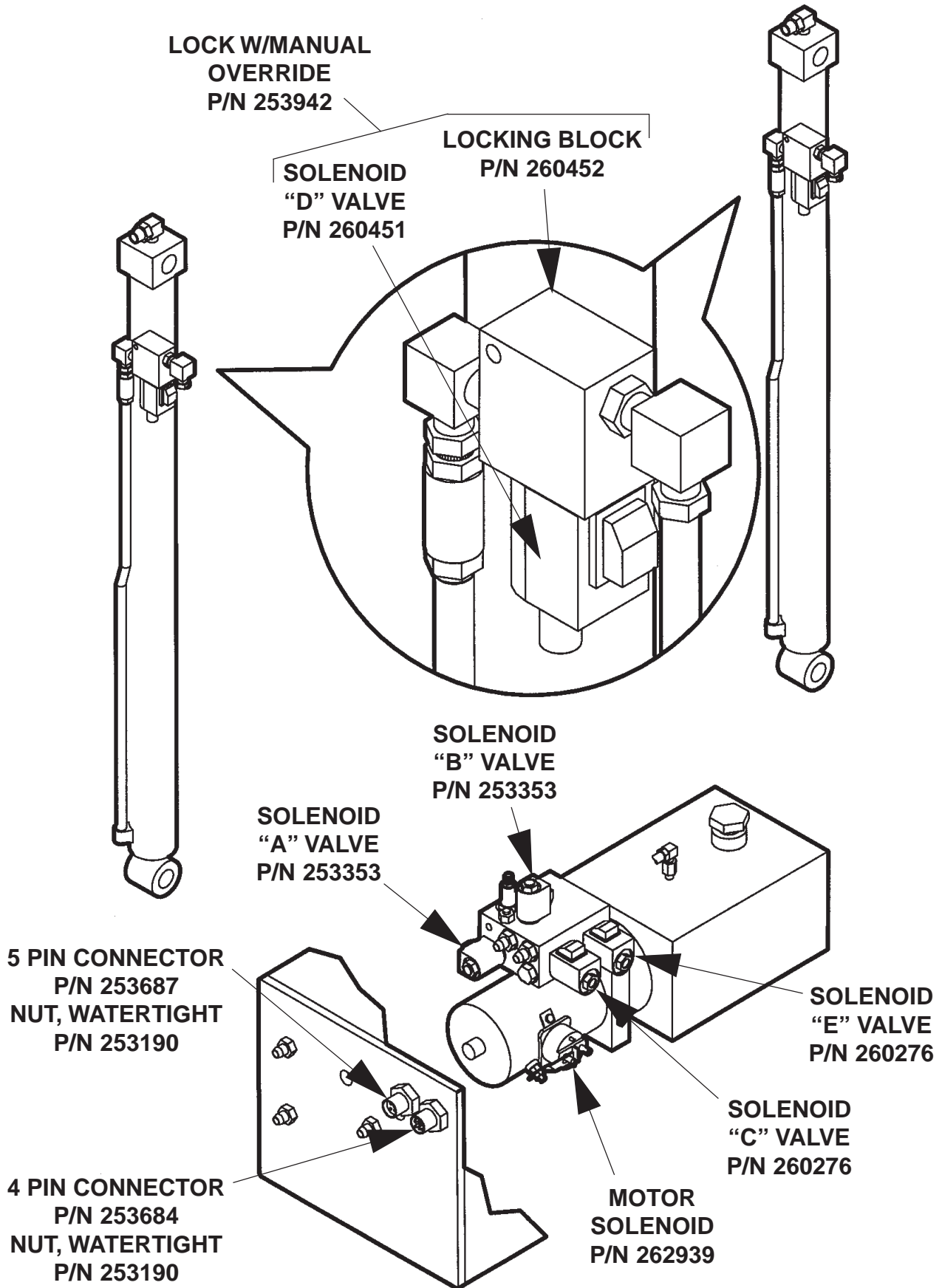


ITEM	QTY.	PART NO.	DESCRIPTION
1	1	260896	BRACKET, MTG. SWITCH CNTRL BOX
2	2	224849	SWITCH, TOGGLE, 6 TERMINAL
3	1	253971	SWITCH, TOGGLE 2 POS. DBL. POLE
4	1	261173-02	BOX, COVER
5	1	263501	CONTROL BOX & COVER REWORKED
6	1	261175	RECEPTACLE ASSY, FEMALE 5 POLE
7	2	253190	NUT, 1/2"
8	2	261171	RECEPTACLE ASSY, MALE 3 POLE
9	2	261181	NUT, 1/4"
10	1	261174	RECEPTACLE ASSY, FEMALE 4 POLE
11	4	250876	BOOT, SWITCH RUBBER SEAL
12	1	261203	SWITCH, TOGGLE 2 POS. SGL. POLE

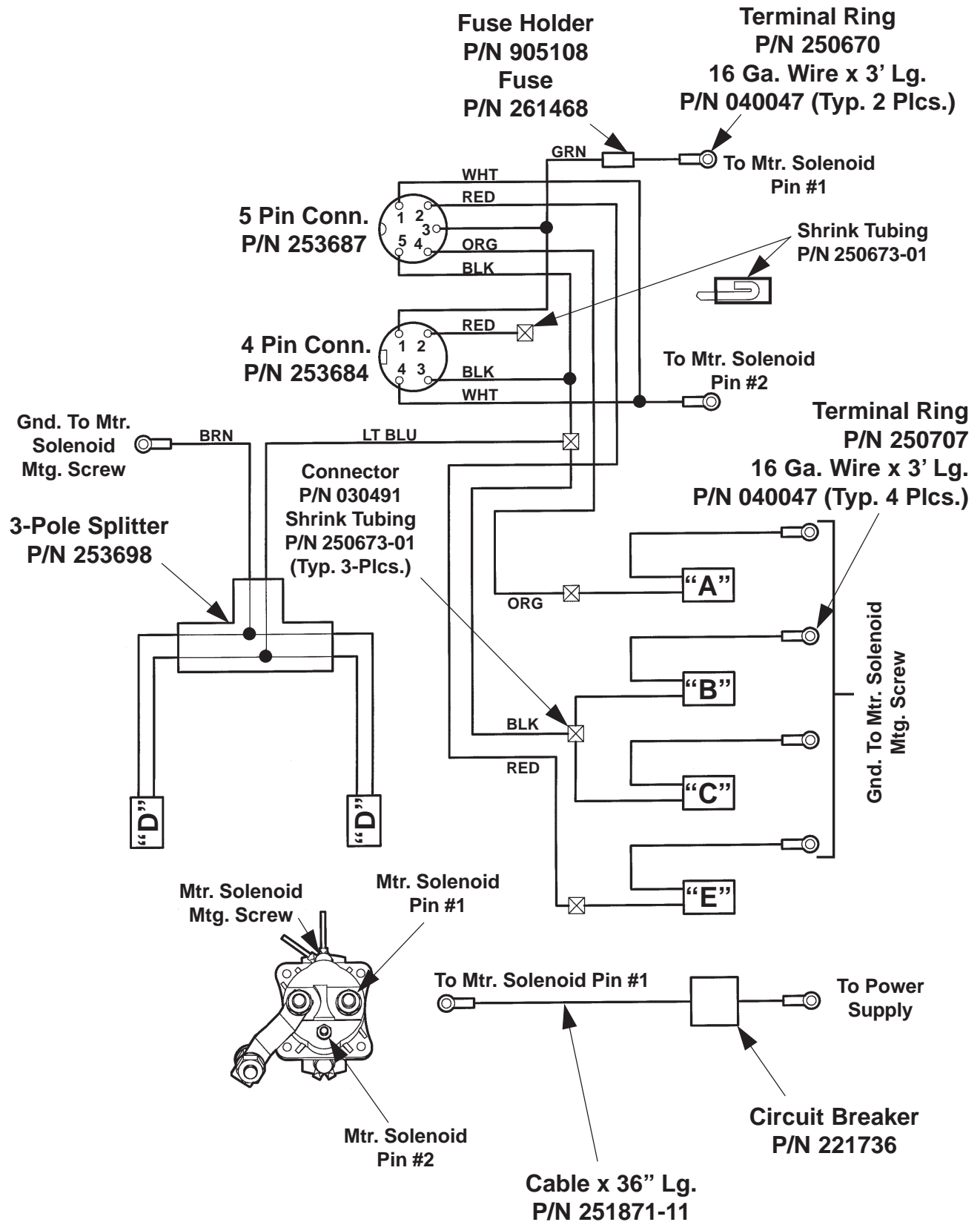
WIRING, 1 PUMP GRAVITY DOWN

MAXON[®]

11921 Slauson Ave. Santa Fe Springs, CA. 90670 (800) 227-4116 FAX (888) 771-7713



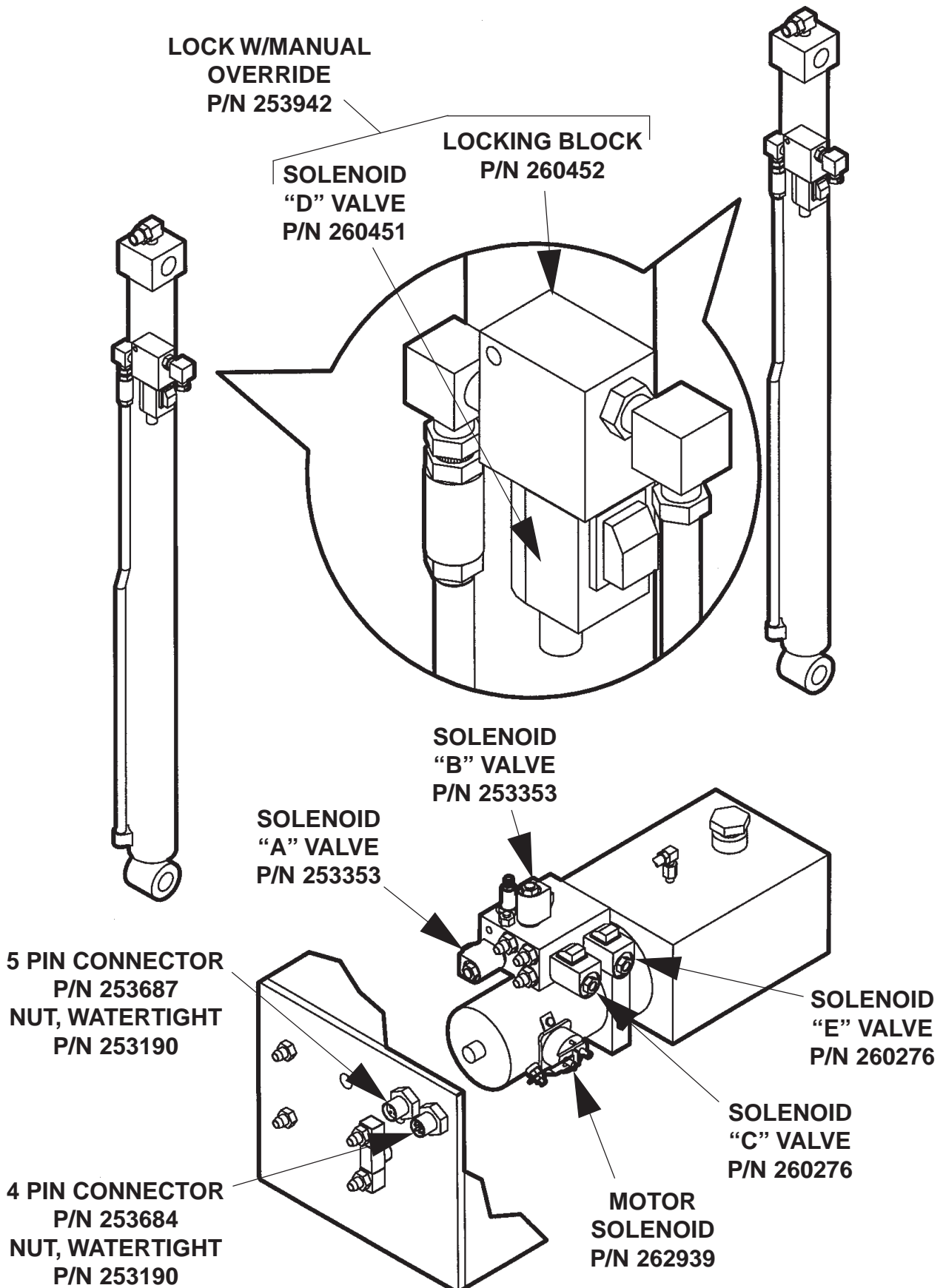
WIRING, 1 PUMP GRAVITY DOWN



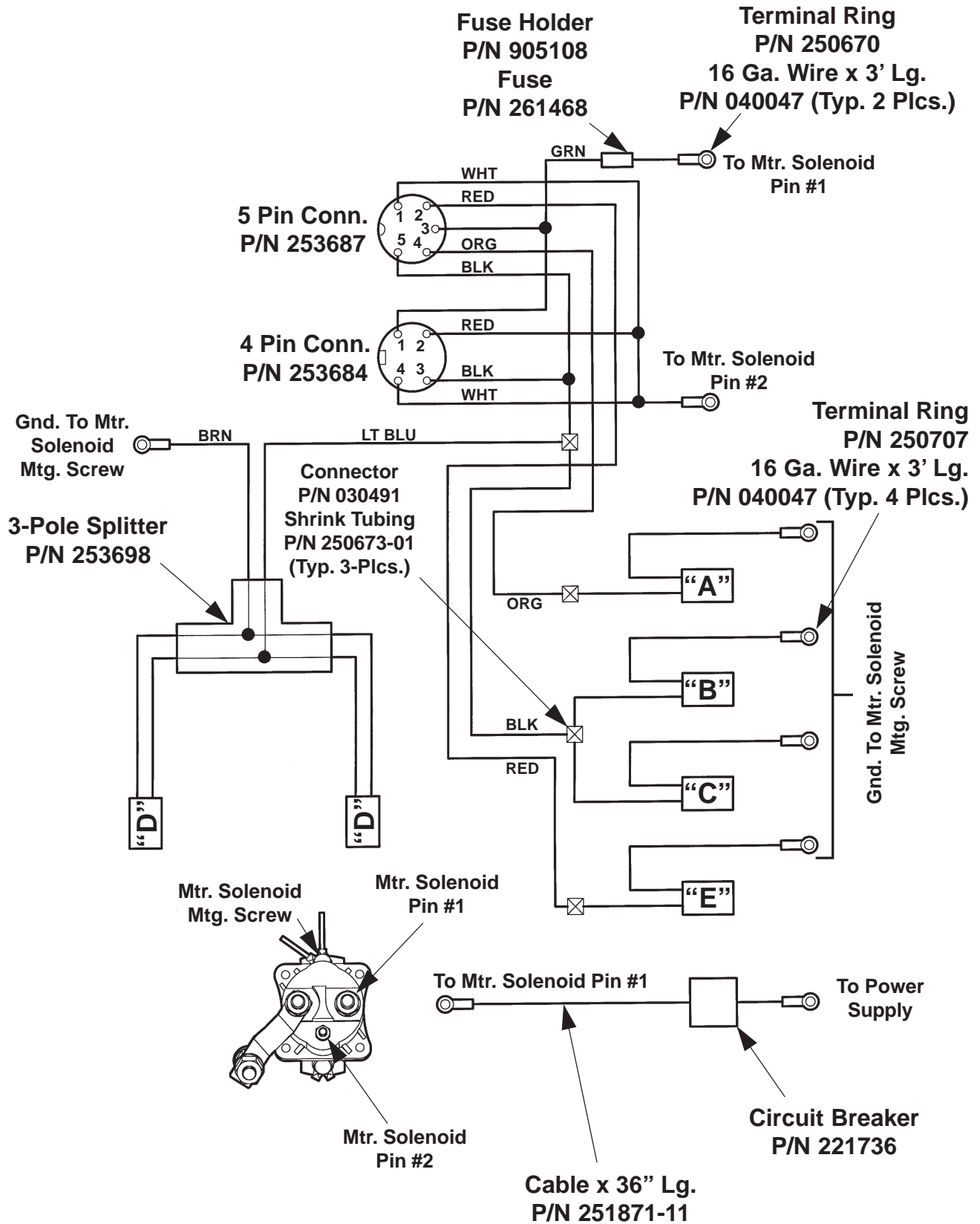
WIRING, 1 PUMP POWER DOWN

MAXON[®]

11921 Slauson Ave. Santa Fe Springs, CA. 90670 (800) 227-4116 FAX (888) 771-7713



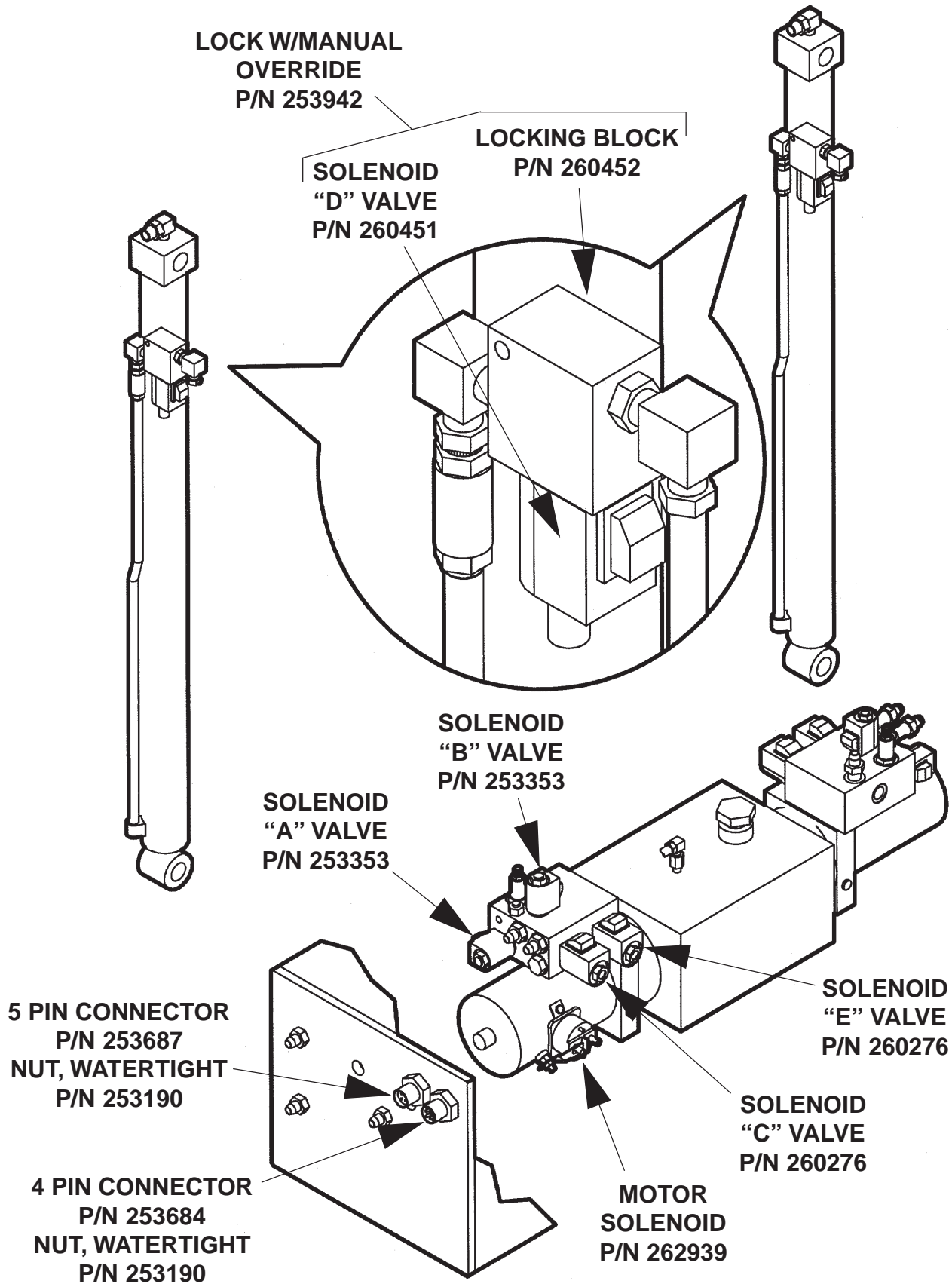
WIRING, 1 PUMP POWER DOWN



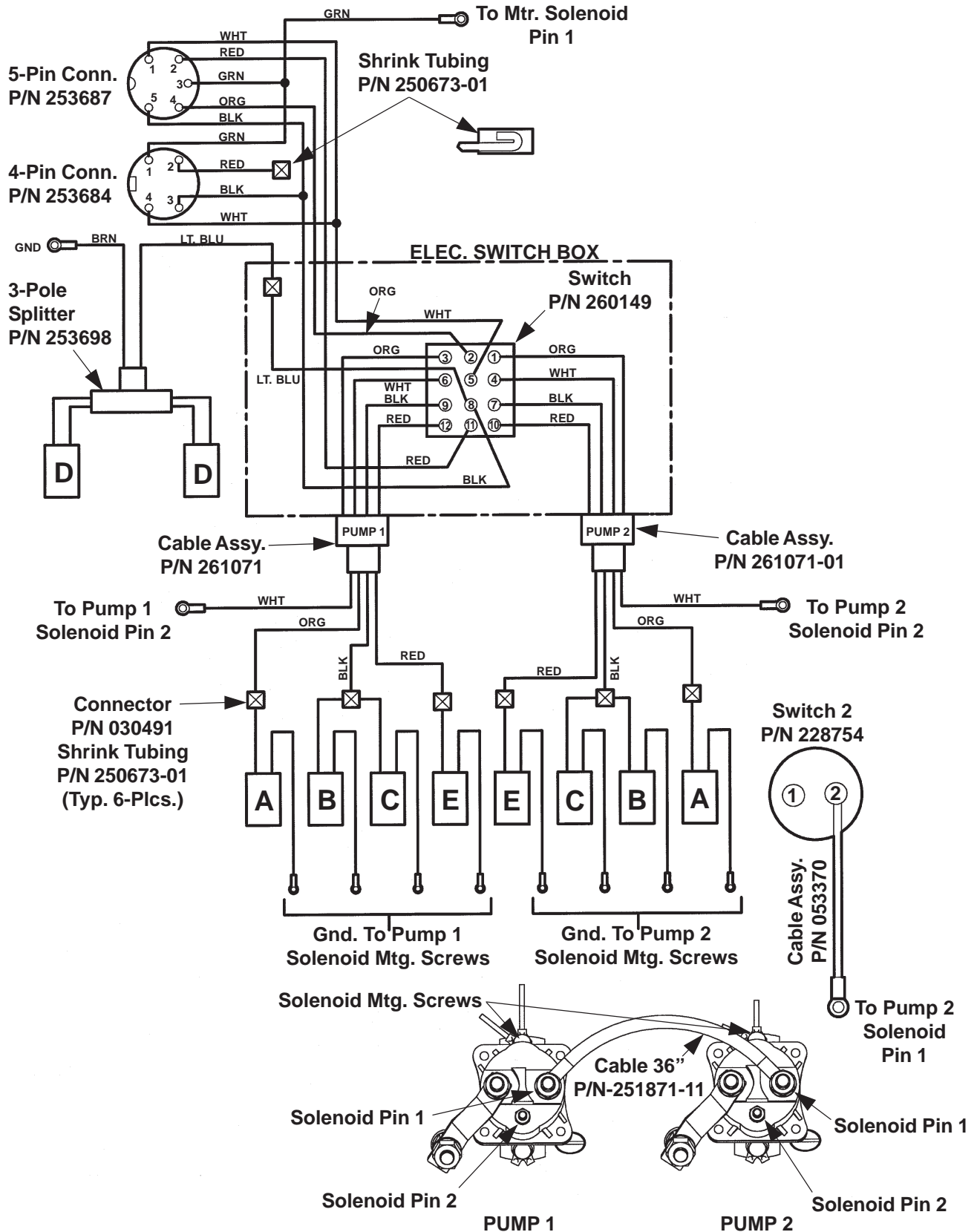
WIRING, 2 PUMP GRAVITY DOWN

MAXON[®]

11921 Slauson Ave. Santa Fe Springs, CA. 90670 (800) 227-4116 FAX (888) 771-7713



WIRING, 2 PUMP GRAVITY DOWN

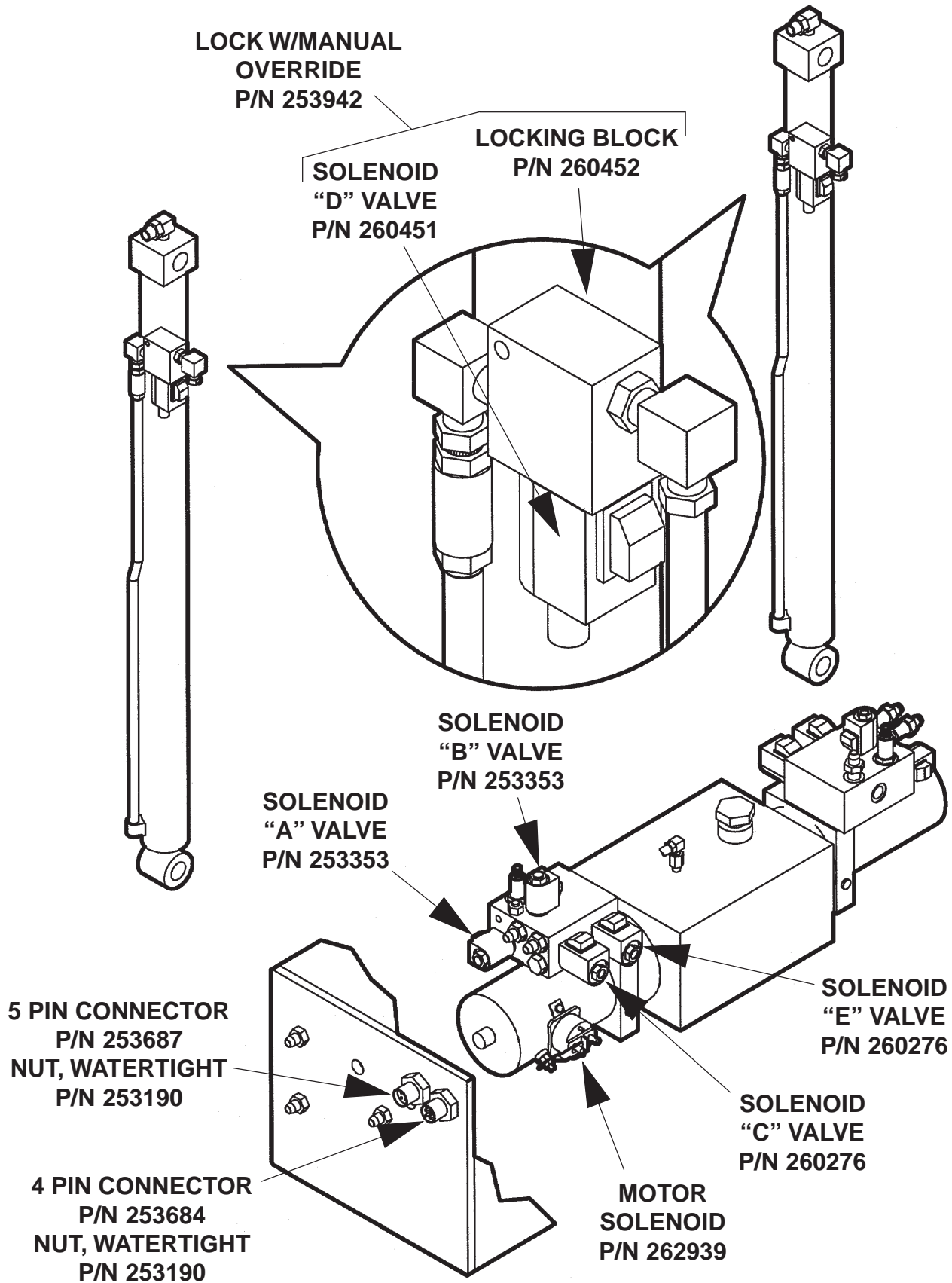


MAXON 11921 Slauson Ave. Santa Fe Springs, CA. 90670 (800) 227-4116 FAX (888) 771-7713

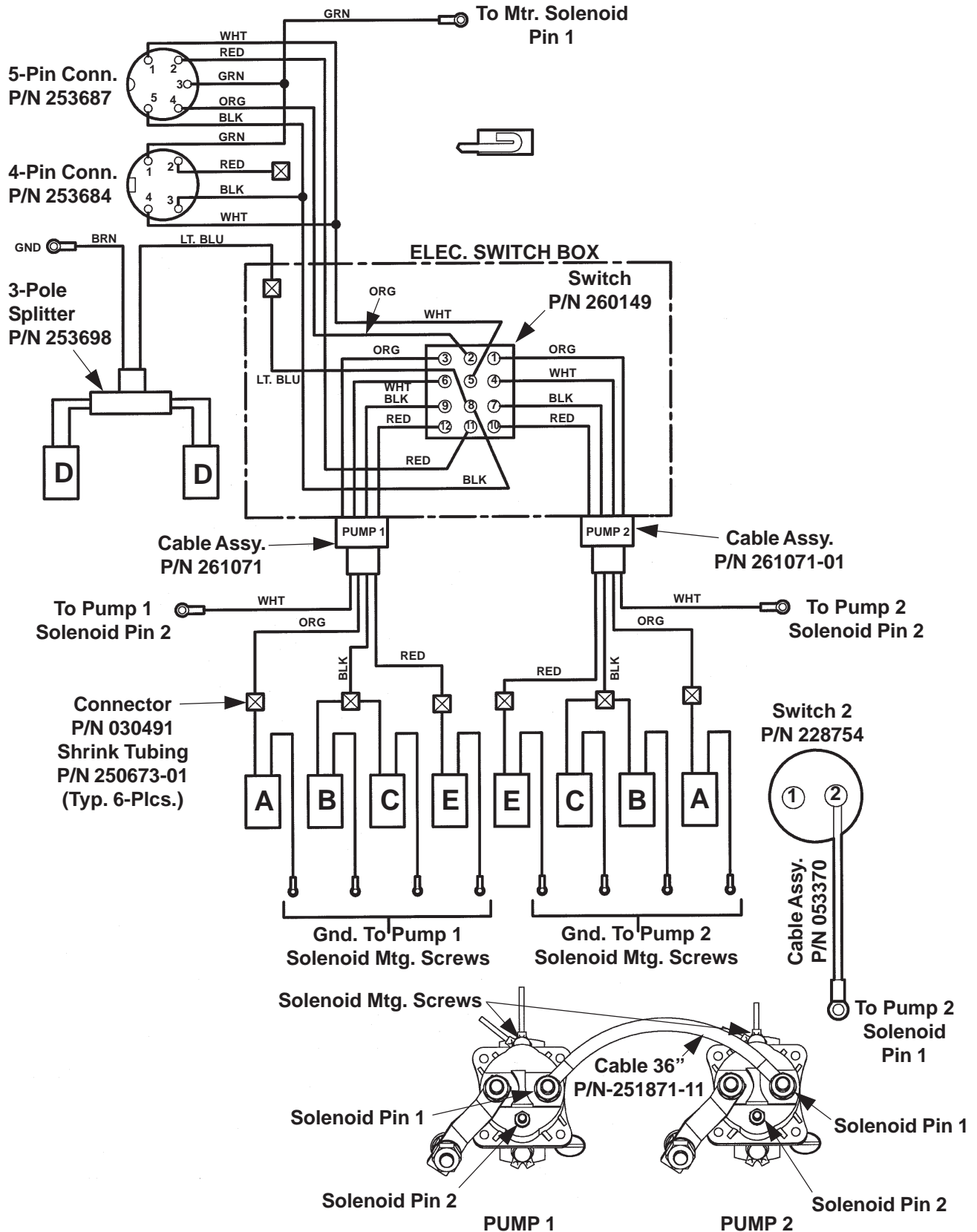
WIRING, 2 PUMP POWER DOWN

MAXON[®]

11921 Slauson Ave. Santa Fe Springs, CA. 90670 (800) 227-4116 FAX (888) 771-7713



WIRING, 2 PUMP POWER DOWN



MAXON[®]

11921 Slauson Ave. Santa Fe Springs, CA. 90670 (800) 227-4116 FAX (888) 771-7713

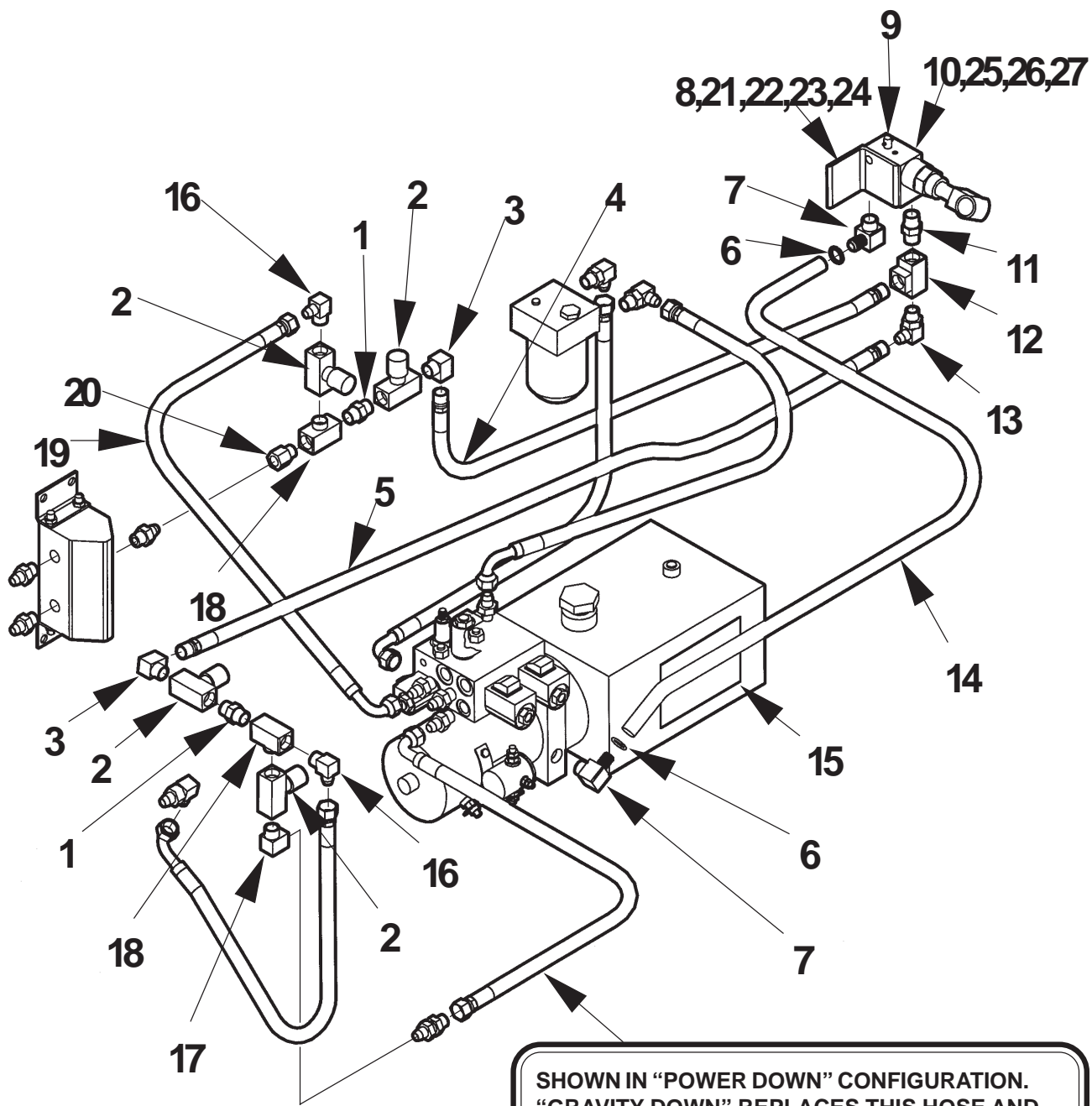
THIS PAGE INTENTIONALLY LEFT BLANK

OPTIONAL SECTION

HAND PUMP KIT P/N 261604

MAXON[®]

11921 Slauson Ave. Santa Fe Springs, CA. 90670 (800) 227-4116 FAX (888) 771-7713



SHOWN IN "POWER DOWN" CONFIGURATION.
"GRAVITY DOWN" REPLACES THIS HOSE AND
FITTINGS WITH A PLUG IN THE MANIFOLD.

HAND PUMP KIT

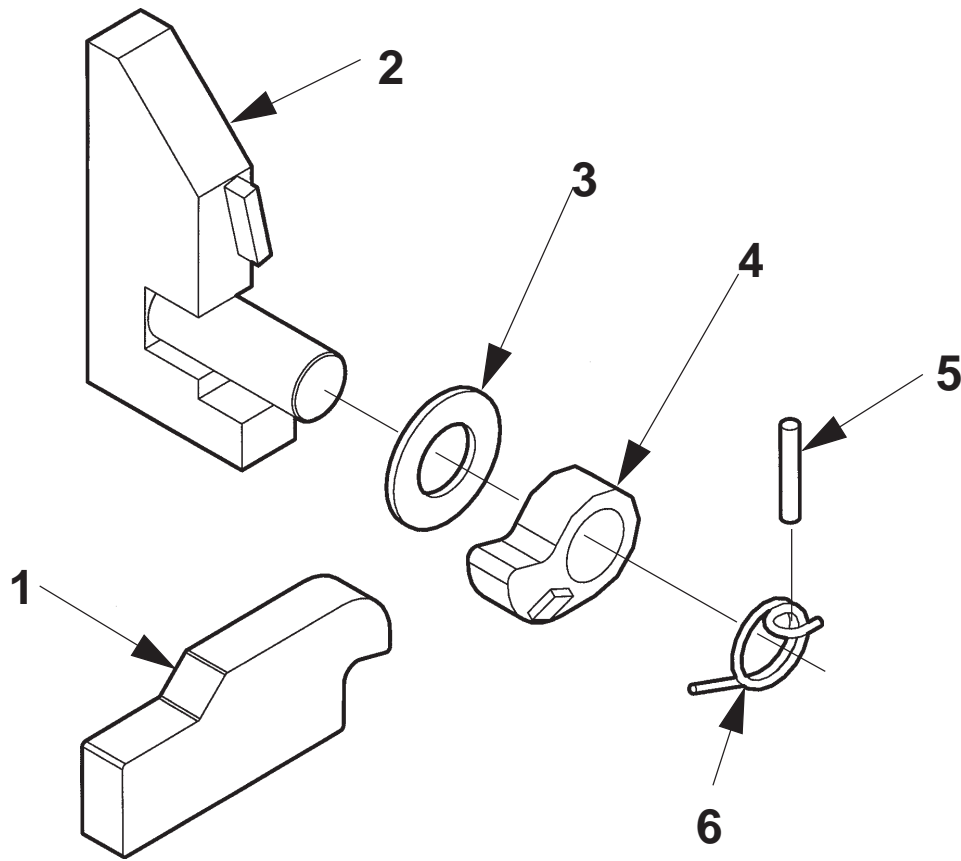
P/N 261604

ITEM	QTY.	PART NO.	DESCRIPTION
1	2	050014	NIPPLE CLOSE PIPE, 3/8
2	4	260490	NEEDLE VALVE, 3/8 NPT
3	2	050207	FTG. SWIVEL ELBOW
4	1	251419-05	TABULATED HOSE ASSEMBLY, 14"
5	1	800234-01	HOSE ASSY. HP 24"
6	2	251854	HOSE CLAMP, SCREW
7	2	251853	ELBOW, 90° 1/4" M x 3/8 BARB
8	1	253036	BRACKET, HAND PUMP KIT
9	1	030405	PIN, ROLL 3/16" x 2"
10	1	251407	HAND PUMP
11	1	030282	FITTING, NIPPLE, 1/4 x 1-1/2
12	1	800190	TEE, 1/4 NPT (F)
13	1	261057	ELBOW, JIC#8 x 1/4" NPT
14	1	251856	HOSE, 3/8" LP x 20" LG.
15	1	261675	DECAL, SGL. PLUMB. ASSY.
16	2	040395	ELBOW, 90° 3/8" NPT x JIC#8 (M)
17	1	260581	ELBOW, 90° 3/8" NPT x JIC#8 (F)
18	2	251851	TEE, 3/8" M x 3/8" (F-F)
19	1	253715	HOSE, 3/8" HP (F-F) x 11-5/8" LG.
20	1	253705	STR. SWVL. 3/8NPT (M) x JIC#8 (F)
*21	2	901005	NUT, HEX 5/16-18
*22	2	900009-2	SCREW, CAP 5/16-18 x 1" LG.
*23	2	902002-1	WASHER FLAT 5/16 x 1/16
*24	2	902011-3	WASHER, LOCK 5/16 x 5/64
*25	2	040366	NUT, NYLON LOCK 1/4-20
*26	2	900000-10	BOLT, HEX 1/4-20 x 2-1/2"
*27	4	030564	WASHER, FLAT 1/4"

*** NOT
SHOWN**

BOTTOM STOP ASSEMBLY

P/N 260358

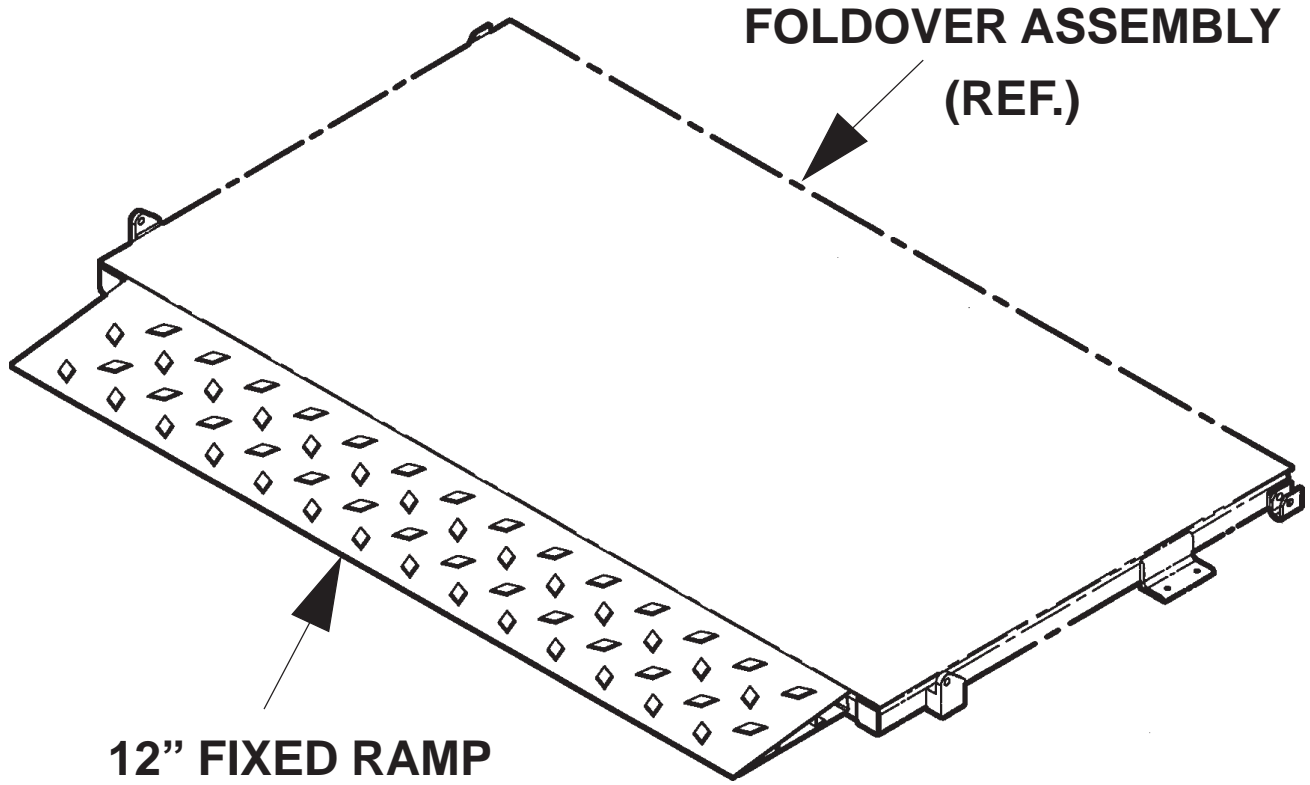


260357-01 BOTTOM STOP ASSY. LH (OPPOSITE)

260357-02 BOTTOM STOP ASSY. RH (SHOWN)

ITEM	QTY	PART NUMBER		DESCRIPTION
		260357-01	260357-02	
1	1	260355		HOOK, BOTTOM STOP
2	1	261164-01		BLOCK, BOTTOM STOP LH
			261164-02	BLOCK, BOTTOM STOP RH
3	1	030579		WASHER, FLAT 1"
4	1	260783-01		BLOCK, ROTATING WELDMENT LH
			260783-02	BLOCK, ROTATING WELDMENT RH
5	1	050034		PIN, ROLL 1/4" x 2"
6	1	260404-01		SPRING, TORSION, LH
			260404-02	SPRING, TORSION, RH

FIXED RAMP, 6" & 12"



**12" FIXED RAMP
(SHOWN)**

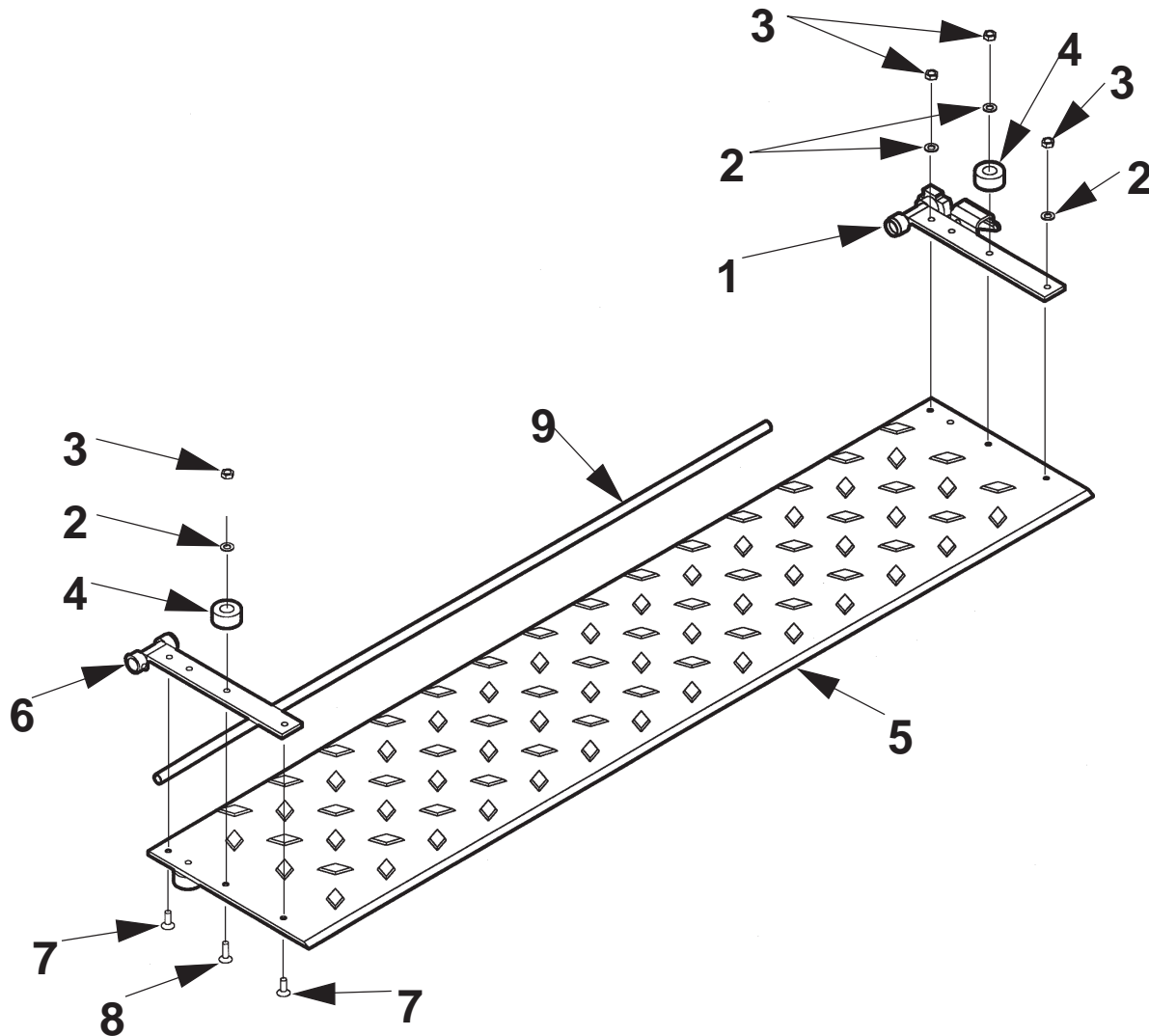
**6" FIXED RAMP (NOT
SHOWN)**

RAMP	VEHICLE BODY WIDTH		
	90"	96"	102"
6" DEEP	253944-01	253944-02	253944-03
12" DEEP	253944-04	253944-05	253944-06

ALUMINUM RETENTION RAMP

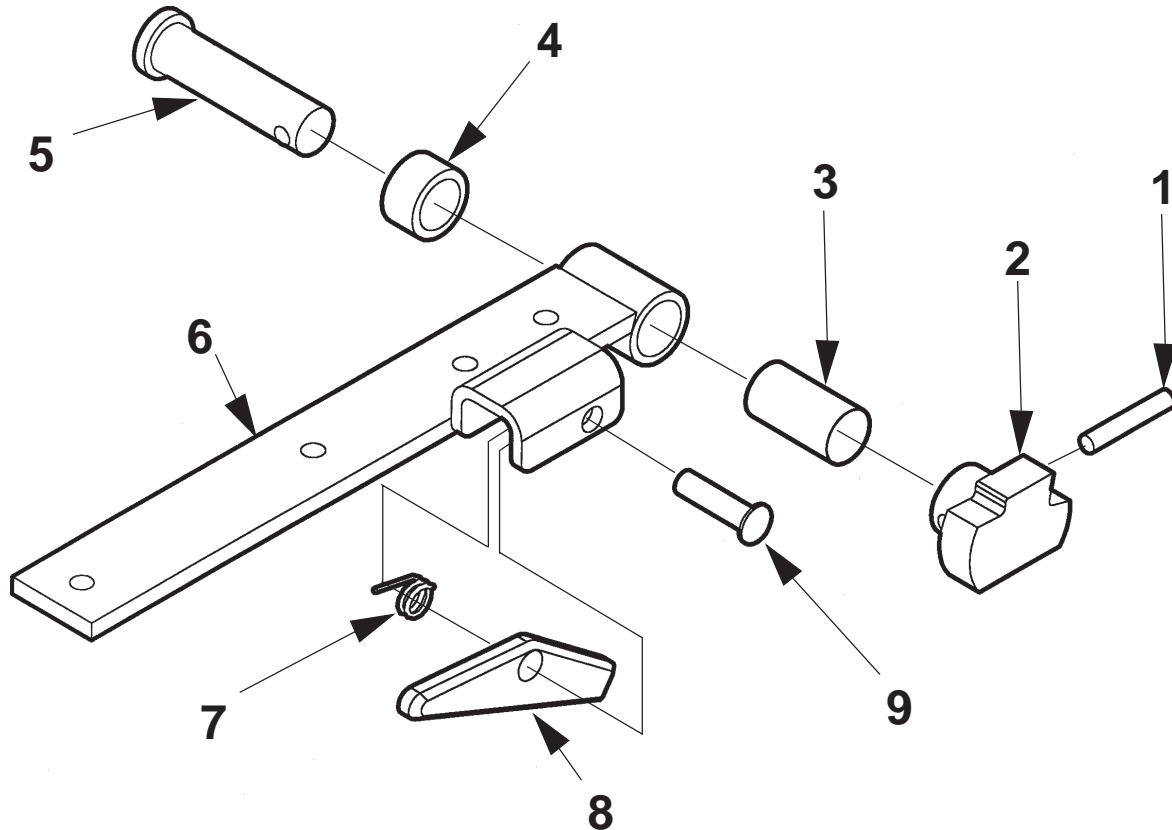
MAXON[®]

11921 Slauson Ave. Santa Fe Springs, CA. 90670 (800) 227-4116 FAX (888) 771-7713



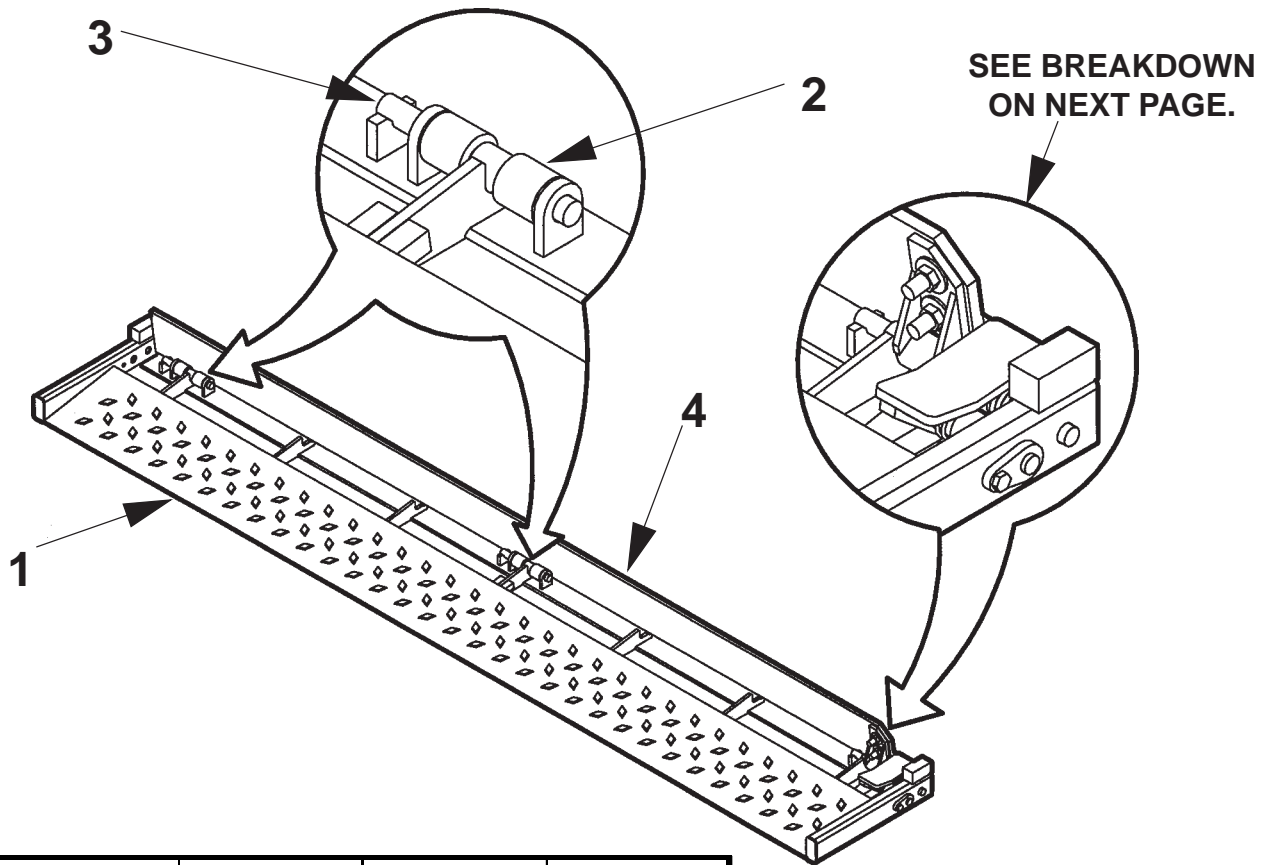
ASSEMBLY	90" WIDE VEHICLE	96" WIDE VEHICLE	102" WIDE VEHICLE		
PART NO.	253522-02	253522	253522-01		
ITEM	QTY.	PART NUMBER		DESCRIPTION	
1	1	253525		HINGE ASSEMBLY R.H	
2	6	030556		WASHER, FLAT 3/8"	
3	6	030955		LOCKNUT, 3/8-16 UNC	
4	2	253516		BUMPER	
5	1	253523-02	253523	253523-01	ALUMINUM RAMP
6	1	253524		HINGE ASSEMBLY L.H.	
7	4	040504		BOLT, 3/8-16 UNC x 1-1/4" FLAT HD.	
8	2	030036		BOLT, 3/8-16 UNC x 1-1/2" FLAT HD.	
9	1	225985		PIPE, 3/4" SCH. 80 x 60" LG.	

ALUMINUM RETENTION RAMP R.H. HINGE ASSEMBLY, P/N 253525



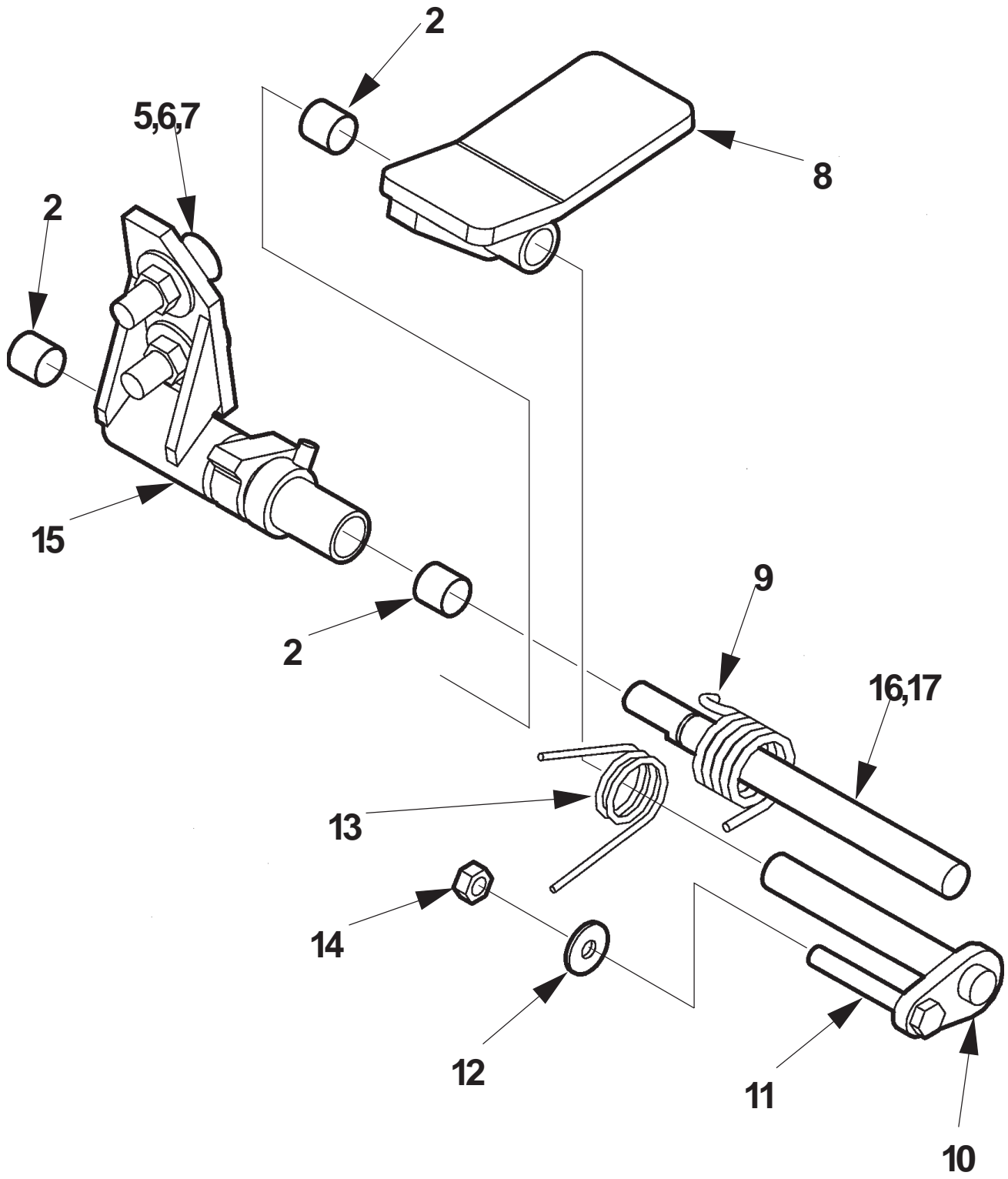
ITEM	QTY	PART NUMBER	DESCRIPTION
1	1	221416	ROLL PIN 3/8" x 2"
2	1	253532	LOCK & BUSHING WELDMENT
3	1	253541	BEARING, SELF-LUBE 1" DIA. x 2" LG.
4	1	253517	BUSHING x 3/4"
5	1	253528	PIN WELDMENT
6	1	253527	HINGE ARM WELDMENT R.H.
7	1	252460	TORSION SPRING
8	1	260147	LOCKING ARM ASSEMBLY
9	1	253538	PIN WELDMENT

CART STOP RAMP

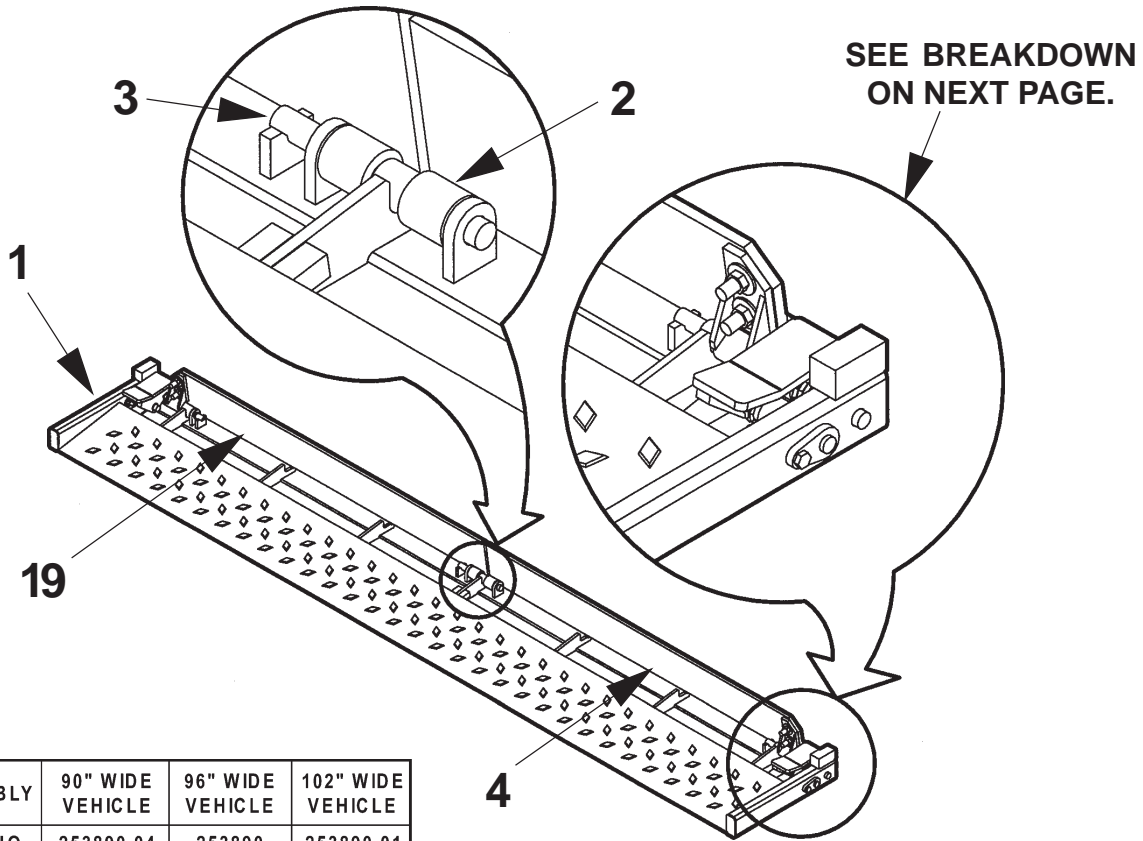


ASSEMBLY	90" WIDE VEHICLE	96" WIDE VEHICLE	102" WIDE VEHICLE		
PART NO.	253830-04	253830	253830-01		
ITEM	QTY.	PART NUMBER			DESCRIPTION
1	1	253835-09	253835-05	253835-08	RAMP, POP-UP CART STOP
2	3	253542			BEARING, SELF-LUBE 1/2 x 1/2
3	2	261496-01			PIN, 4.8" LG
4	1	253850-04	253850	253850-01	CART STOP, 3/8" DIAMOND PLATE
5	2	040504			BOLT, 3/8-16 x 1-1/4"
6	2	030955			NUT, LOCK, 3/8-16
7	2	030556			WASHER, FLAT 3/8"
8	1	260360			LOCKING HOOK R.H.
9	1	202528-01			TORSION SPRING
10	1	261693			PIN, LOCKING HOOK SUPPORT
11	1	260558			BOLT, 1/4-20 x 2" LG.
12	1	030564			WASHER, FLAT 1/4"
13	1	252460			TORSION SPRING
14	1	040366			NUT, LOCK, 1/4-20
15	1	260321			LOCKING CAM, R.H.
16	1	261496-02			PIN, 7.1" LG
17	3	260930-01			RETAINING RING, .5 x .5

CART STOP RAMP



DUAL CART STOP RAMP



ASSEMBLY	90" WIDE VEHICLE	96" WIDE VEHICLE	102" WIDE VEHICLE		
PART NO.	253890-04	253890	253890-01		
ITEM	QTY.	PART NUMBER			DESCRIPTION
1	1	253835-04	253835	253835-01	RAMP, POP-UP CART STOP
2	6		253542		BEARING, SELF-LUBE 1/2 x 1/2
3	1		261496-01		PIN, 4.8" LG
4	1	253896-08	253896	253896-02	DUAL CART STOP, R.H. PLATE
5	4		040504		BOLT, 3/8-16 x 1-1/4"
6	4		030955		NUT, LOCK, 3/8-16
7	4		030556		WASHER, FLAT 3/8"
8	1		260360		LOCKING HOOK R.H.
9	1		202528-01		TORSION SPRING R.H.
10	2		261693		PIN, LOCKING HOOK SUPPORT
11	2		260558		BOLT, 1/4-20 x 2" LG.
12	2		030564		WASHER, FLAT 1/4"
13	2		252460		TORSION SPRING
14	2		040366		NUT, LOCK, 1/4-20
15	1		260321		LOCKING CAM, R.H.
16	2		261496-02		PIN, 7.1" LG
17	3		260930-01		RETAINING RING, .5 x.5 (Not Shown)
18	1		202528-02		TORSION SPRING L.H. (Not Shown)
19	1	253896-09	253896-01	253896-03	DUAL CART STOP, L.H. PLATE
20	1		260321-01		LOCKING CAM, L.H. (Not Shown)
21	1		260360-01		LOCKING HOOK L.H. (Not Shown)

DUAL CART STOP RAMP (RH ASSY. SHOWN, LH OPPOSITE)

