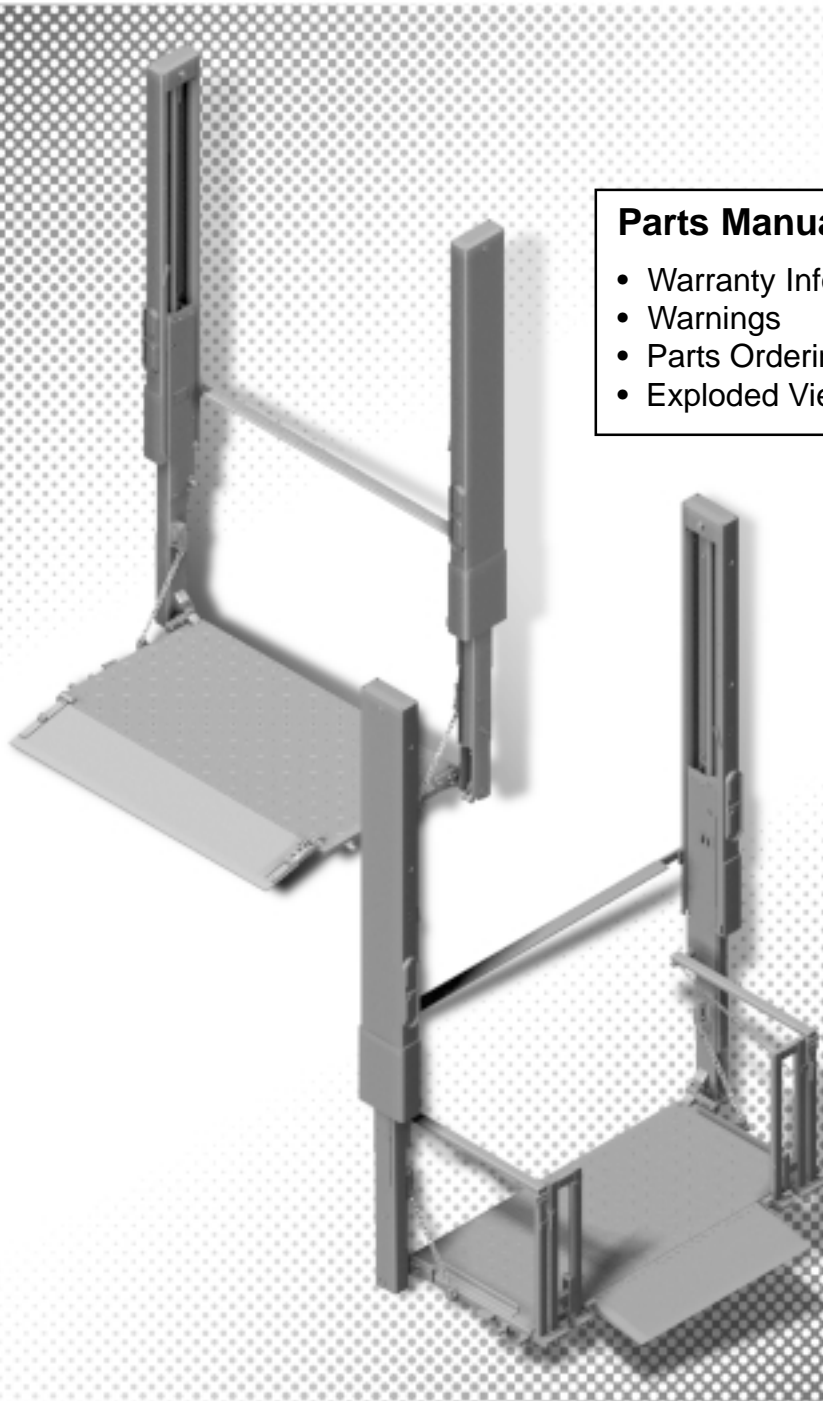


M-01-25  
MARCH 2002

**Parts Manual Contains:**

- Warranty Information
- Warnings
- Parts Ordering Information
- Exploded View Parts Breakdowns



**MAXON<sup>®</sup>**  
**LIFT CORP.**

# BMR-A-ONE PIECE BMR-A-CS PARTS MANUAL



# MAXON<sup>®</sup>

## LIFT CORP.

11921 Slauson Ave.  
Santa Fe Springs, CA. 90670

### CUSTOMER SERVICE:

TELEPHONE (562) 464-0099 TOLL FREE (800) 227-4116

FAX: (888) 771-7713

NOTE: For latest version Manuals (and replacements), download Manuals from Maxon's website at [www.maxonlift.com](http://www.maxonlift.com).

## WARRANTY POLICY & PROCEDURE

### NEW LIFTGATE WARRANTY

Term of Warranty: 2 Years from Date of In-Service

Type of Warranty: Full Parts and Labor

MAXON agrees to replace any components which are found to be defective during the first 2 years of service, and will reimburse for labor based on MAXON's Liftgate Warranty Flat Rate Labor Schedule. (Call MAXON Customer Service for a copy).

All claims for warranty must be received within 30 Days of the repair date, and include the following information:

1. Liftgate Model Number
2. Liftgate Serial Number
3. Detailed Description of Problem
4. Corrective Action Taken, and Date of Repair.
5. Parts used for Repair, Including MAXON Part Number(s).
6. MAXON R.M.A. # and/or Authorization # if applicable (see below).
7. Person contacted at MAXON if applicable.

All warranty repairs must be performed by an authorized MAXON warranty station. For major repairs, MAXON Customer Service must be notified and an "Authorization Number" obtained. Major repairs would generally be considered repairs made to the structural assembly of the liftgate and/or repairs not outlined in the MAXON Liftgate Warranty Flat Rate Schedule.

Major components (i.e. hydraulic pumps, cylinders, valves, or failed structural parts) must be returned, freight pre-paid, prior to the claim being processed. To ensure timely processing of these warranty claims, an R.M.A. (Returned Merchandise Authorization) number must be obtained from MAXON Customer Service prior to the return of any defective part. Defective Parts must be returned within 60 days of the claim date for consideration to:

**MAXON Lift Corp.**  
**16205 Distribution Way, Cerritos, CA 90703**  
**Attn: RMA#** \_\_\_\_\_

MAXON's warranty policy does not include the reimbursement for travel time, towing, vehicle rental, service calls, oil, batteries, defects due to misuse or abuse, or loss of income due to downtime. Fabrication of parts, which are available from MAXON, are also not covered.

MAXON's Flat Rate Labor Schedule takes into consideration the time required for diagnosis of a problem.

### PURCHASE PART WARRANTY

Term of Warranty: 1 Year from Date of Purchase

Type of Warranty: Part Replacement

MAXON will guarantee all returned genuine replacement parts upon receipt and inspection of parts and invoice.

# TABLE OF CONTENTS

ORDERING PARTS .....	PAGE 6
<b>WARNINGS .....</b>	<b>PAGE 6</b>
BMR-A-CS LIFTGATE .....	PAGE 7
CONNECTOR BAR, EXTENSION PLATE & ATTACHING HARDWARE .....	PAGE 8
R.H. COLUMN ASSEMBLY .....	PAGE 10
R.H. RUNNER ASSEMBLY .....	PAGE 12
SPRING GUARD MOUNTING .....	PAGE 14
TANDEM ASSEMBLY .....	PAGE 15
L.H. COLUMN ASSEMBLY .....	PAGE 16
L.H. RUNNER ASSEMBLY .....	PAGE 18
CS PLATFORM ASSEMBLY (STEEL) .....	PAGE 20
ONE PIECE ALUMINUM PLATFORM ASSEMBLY (42" DEEP) .....	PAGE 22
ONE PIECE ALUMINUM PLATFORM ASSEMBLY (48" DEEP) .....	PAGE 24
ALUMINUM RETENTION RAMP ASSEMBLY (FOR ALUMINUM PLATFORMS) .....	PAGE 26
ONE PIECE STEEL PLATFORM ASSEMBLY .....	PAGE 28
ALUMINUM RETENTION RAMP ASSEMBLY (FOR STEEL PLATFORMS) .....	PAGE 30
BATTERY BOX & HARDWARE .....	PAGE 32
<b>HYDRAULIC COMPONENTS SECTION .....</b>	<b>PAGE 35</b>
DUAL PUMP ASSEMBLY, POWER DOWN .....	PAGE 36
HYDRAULIC COMPONENTS, POWER DOWN .....	PAGE 38
SINGLE PUMP ASSEMBLY, POWER DOWN .....	PAGE 40

## TABLE OF CONTENTS - Continued

PUMP/MOTOR, POWER DOWN .....	PAGE 42
PUMP/MOTOR, GRAVITY DOWN .....	PAGE 43
DUAL PUMP ASSEMBLY, GRAVITY DOWN .....	PAGE 44
HYDRAULIC COMPONENTS, GRAVITY DOWN .....	PAGE 46
SINGLE PUMP ASSEMBLY, GRAVITY DOWN .....	PAGE 48
<b>ELECTRICAL COMPONENTS SECTION.....</b>	<b>PAGE 51</b>
ELECTRICAL COMPONENTS .....	PAGE 52
ELECTRICAL COMPONENTS - DUAL PUMP BOX.....	PAGE 54
ELECTRICAL COMPONENTS - SINGLE PUMP BOX.....	PAGE 55
ELECTRICAL COMPONENTS - BATTERY BOX .....	PAGE 56

Comply with the following WARNINGS while maintaining Liftgates.

## ▲ WARNING

- Read and understand the instructions in **Maintenance Manual M-01-24** before performing maintenance on the Liftgate.
- **Disconnect Liftgate power cable from battery** before repairing or servicing Liftgate.
- Wear appropriate safety equipment such as protective eyeglasses, faceshield and clothing while performing maintenance on the Liftgate and handling the battery. Debris from drilling and contact with battery acid may injure unprotected eyes and skin.
- Be careful working by an automotive type battery. Make sure the work area is well ventilated and there are no flames or sparks near the battery. Never lay objects on the battery that can short the terminals together. If battery acid gets in your eyes, immediately seek first aid. If acid gets on your skin, immediately wash it off with soap and water.
- Never perform unauthorized modifications on the Liftgate. Modifications may result in early failure of the Liftgate and may create hazards for Liftgate operators and maintainers.

## ORDERING PARTS

- Use only **Maxon Authorized Parts** for replacement parts. Order replacement parts from:

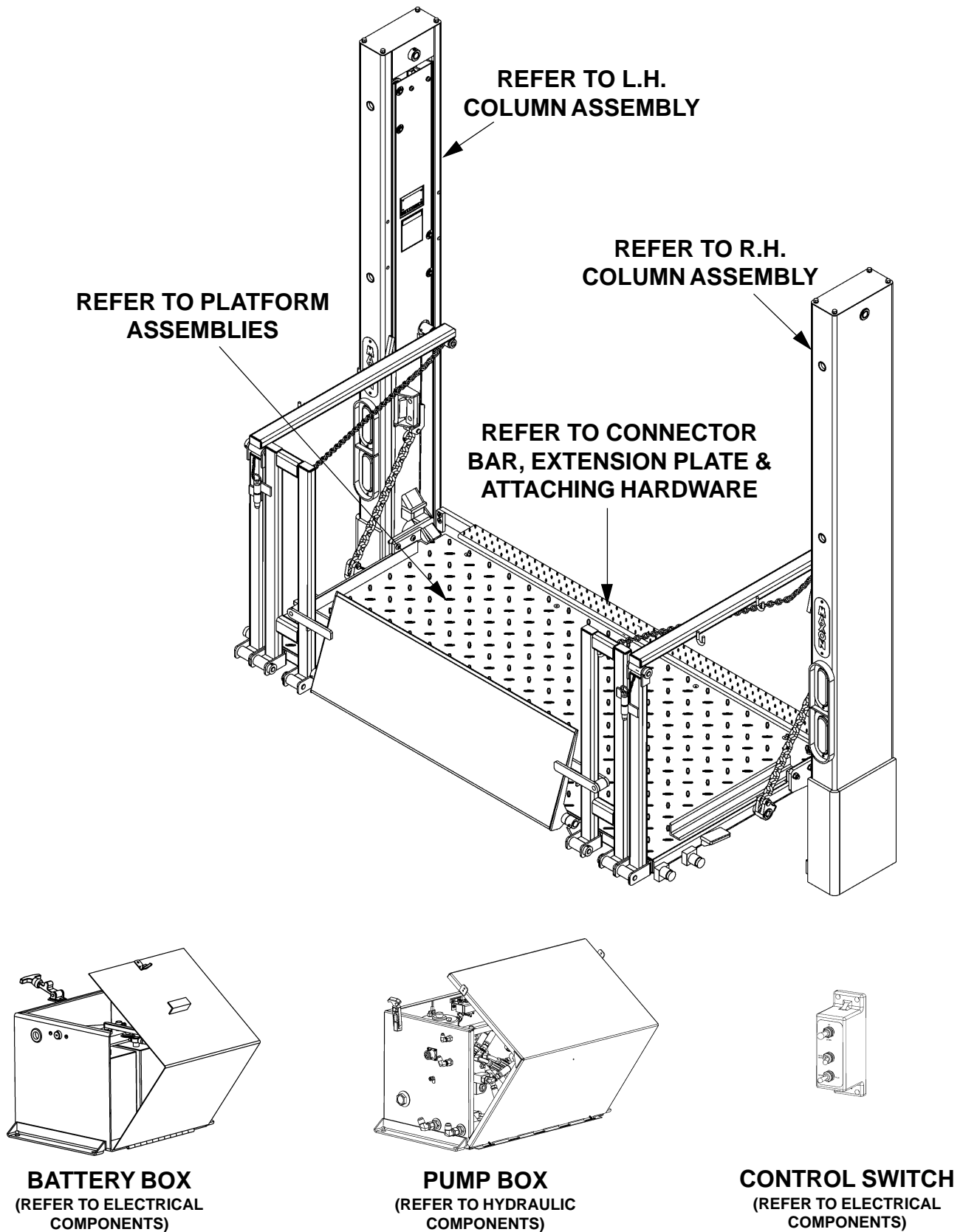
**MAXON LIFT CORP. Customer Service**  
**11921 Slauson Ave., Santa Fe Springs, CA 90670**  
**Phone: (800) 227-4116**

- To order parts by e-mail, submit orders to **partssales@maxonlift.com**.
- Provide Liftgate model and serial number information with your parts order.
- Need Technical Support? Send requests by e-mail to **technicalsupport@maxonlift.com**.
- For latest version Manuals (and replacements ), download Manuals from Maxon's website at **www.maxonlift.com**.

**MAXON**<sup>®</sup>

11921 Slauson Ave. Santa Fe Springs, CA. 90670 (800) 227-4116 FAX (888) 771-7713

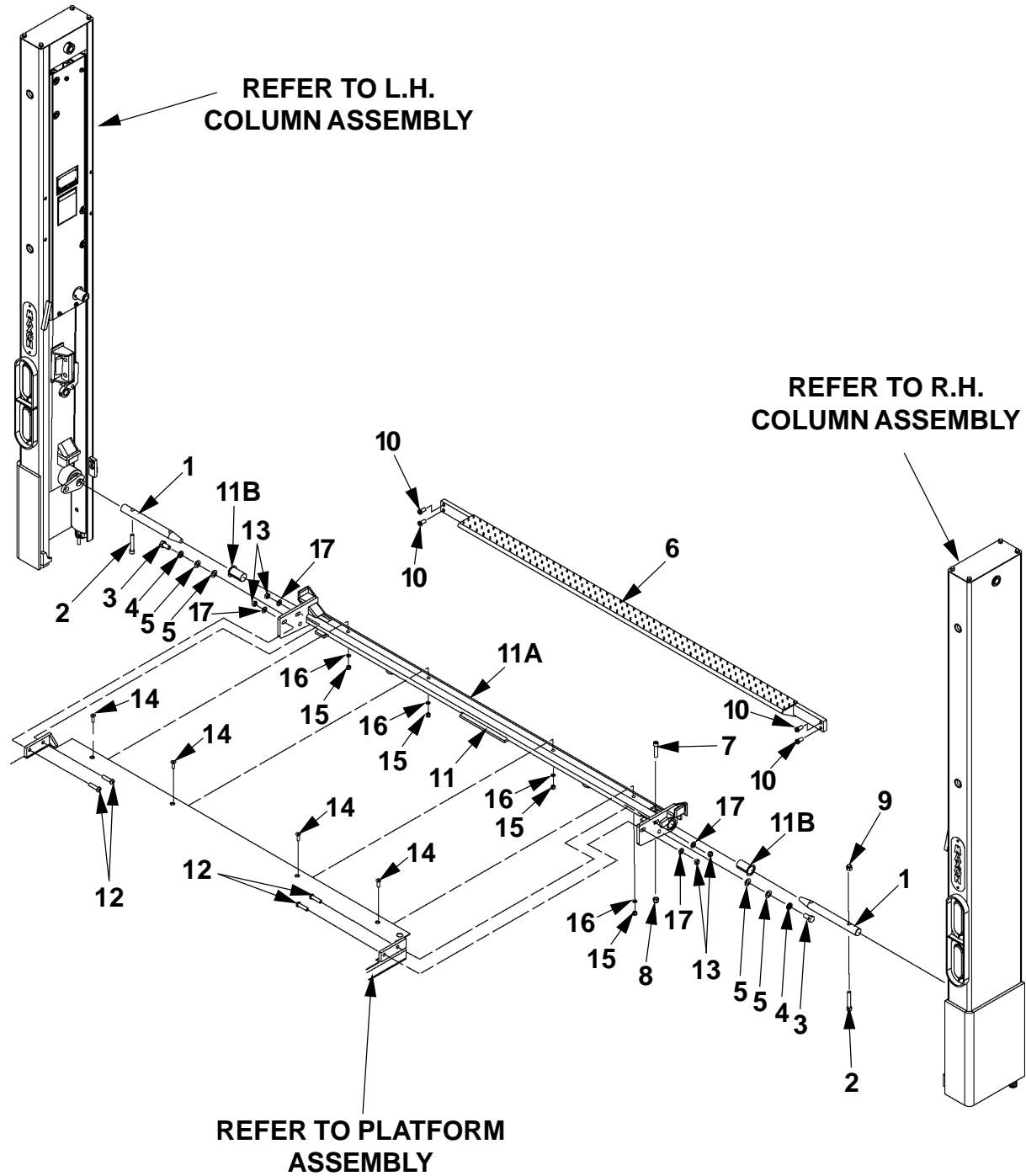
# BMR-A-CS LIFTGATE



# CONNECTOR BAR, EXTENSION PLATE & ATTACHING HARDWARE

**MAXON**<sup>®</sup>

11921 Slauson Ave. Santa Fe Springs, CA. 90670 (800) 227-4116 FAX (888) 771-7713





## CONNECTOR BAR, EXTENSION PLATE & ATTACHING HARDWARE

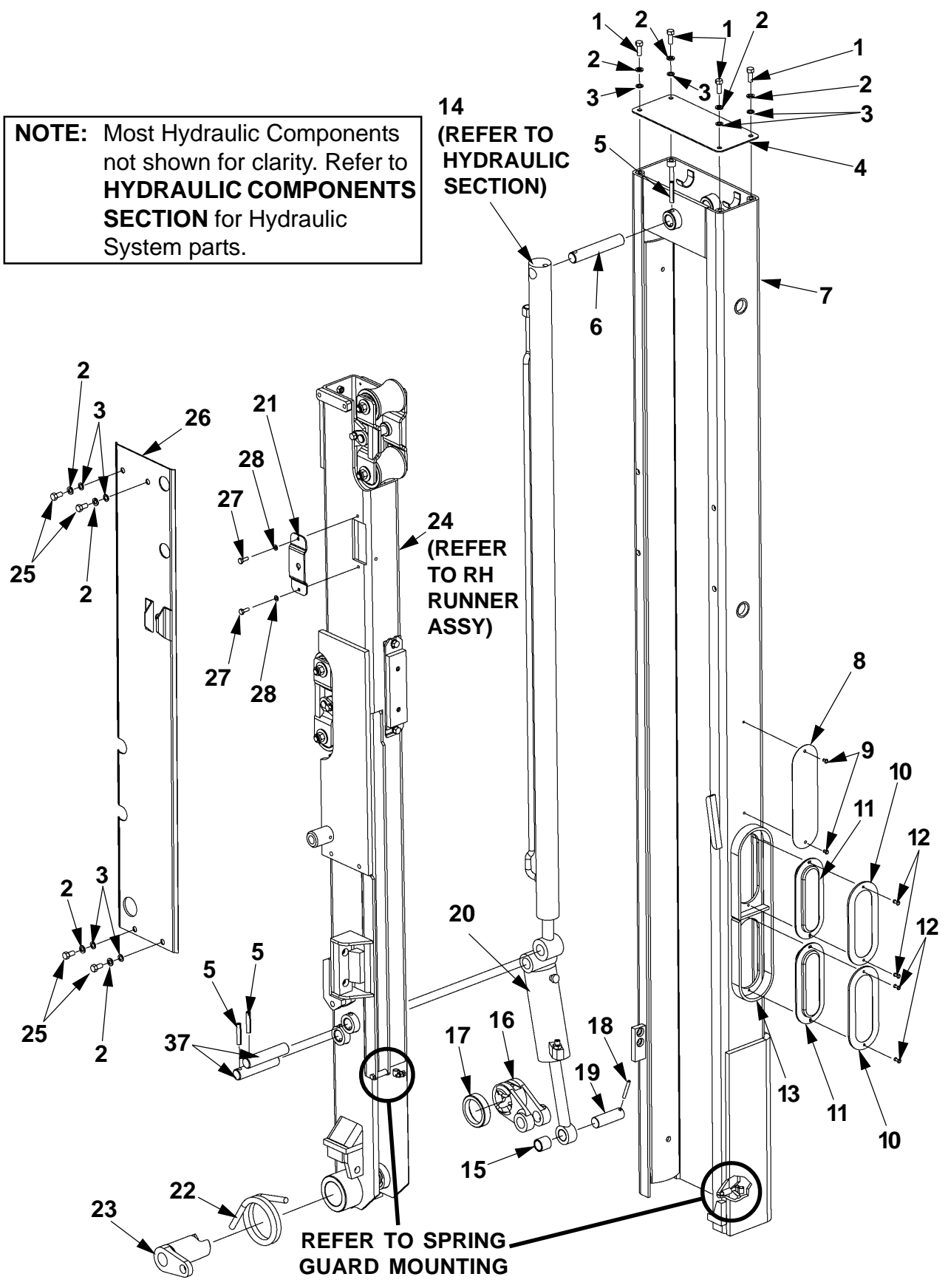
ITEM	QTY.	PART NO.	DESCRIPTION
1	2	280103	PIN, 13" LG. STAINLESS STEEL
2	2	900037-11	SOCKET HEAD SCREW, GRADE 8, 1/2"-20 x 3"
3	2	900055-1	HEX HEAD SCREW, 5/8"-11 x 1-1/4"
4	2	902011-8	LOCK WASHER, 5/8"
5	4	902000-18	FLAT WASHER, 5/8"
6	1	280340-01	ONE PIECE EXTENSION PLATE (96" WIDE)
		280340-02	ONE PIECE EXTENSION PLATE (102" WIDE)
		280340-03	BMR-CS EXTENSION PLATE (96" WIDE)
		280340-04	BMR-CS EXTENSION PLATE (102" WIDE)
7	1	900036-10	SOCKET HEAD SCREW, GRADE 8, 1/2"-13 x 2-1/4"
8	1	901010	NYLON LOCK NUT, 1/2"-13
9	1	901008	NYLON LOCK NUT, 1/2"-20
10	4	900066-01	CAP SOCKET SCREW, 1/2"-13 x 1"
11	1	280293-01	CONNECTOR BAR ASSEMBLY, 96" WIDE PLATFORM
	1	280293-02	CONNECTOR BAR ASSEMBLY, 102" WIDE PLATFORM
11A	1	264376-01	CONNECTOR BAR, 96"
		264376-02	CONNECTOR BAR, 102"
11B	2	905200	BEARING, SELF LUBE
12	4	900068-04	BUTTON HEAD SCREW, 1/2"-13 x 1-3/4" (STEEL PLATFORM ONLY)
		900068-05	BUTTON HEAD SCREW, 1/2"-13 x 2" (ALUMINUM PLATFORM ONLY)
13	4	040066	NYLON LOCK NUT, 1/2"-13
14	4	900040-5	SOCKET HEAD SCREW, 3/8"-16 x 1-1/4"
15	4	901002	NYLON LOCK NUT, 3/8"-16
16	4	902000-10	FLAT WASHER, 3/8"
17	4	902000-18	FLAT WASHER, 1/2"

**MAXON**<sup>®</sup> 11921 Slauson Ave. Santa Fe Springs, CA. 90670 (800) 227-4116 FAX (888) 771-7713

# R.H. COLUMN ASSEMBLY P/N 280299-01

**MAXON**<sup>®</sup> 11921 Slauson Ave. Santa Fe Springs, CA. 90670 (800) 227-4116 FAX (888) 771-7713

**NOTE:** Most Hydraulic Components not shown for clarity. Refer to **HYDRAULIC COMPONENTS SECTION** for Hydraulic System parts.



## R.H. COLUMN ASSEMBLY P/N 280299-01

ITEM	QTY.	PART NO.	DESCRIPTION
1	4	900014-4	HEX HEAD BOLT, 3/8"-16 x 1"
2	8	902011-4	LOCK WASHER, 3/8"
3	8	902000-10	FLAT WASHER, 3/8"
4	1	263114	COLUMN TOP COVER
5	3	221416	ROLL PIN
6	1	263457	PIN, 5-7/8"
7	1	280333-01	RH COLUMN
8	1	260478	MAXON PLATE
9	2	207644	POP RIVET, 3/16" x .40"
10	2	264132	SECURITY RING
11	2	263903	LIGHT, STOP/TAIL/TURN LED
12	4	904005-2	BLIND RIVET
13	1	264094	LIGHT GUARD
14	1	-	CYLINDER (SEE HYDRAULIC SECTION)
15	1	253657	BEARING, SELF LUBE
16	1	260517	COUPLING INSIDE ASSEMBLY
17	1	253695	BUSHING, 3/4"
18	1	905033-4	ROLL PIN
19	1	253772	PIN, 3-3/32"
20	1	264103	CLOSING CYLINDER
21	1	253694	SWITCH PLATE
22	1	260179	TORSION SPRING
23	1	260516-01	COUPLING OUTSIDE ASSEMBLY
24	1	280297-01	RH RUNNER ASSEMBLY
25	4	900064-2	BUTTON HD SCREW, 3/8"-16 x 5/8"
26	1	280323-01	COLUMN SIDE COVER
27	2	900000-3	HEX HEAD BOLT, 1/4"-20 x 3/4"
28	2	902011-2	LOCK WASHER, 1/4"

**MAXON** 11921 Slauson Ave. Santa Fe Springs, CA. 90670 (800) 227-4116 FAX (888) 771-7713



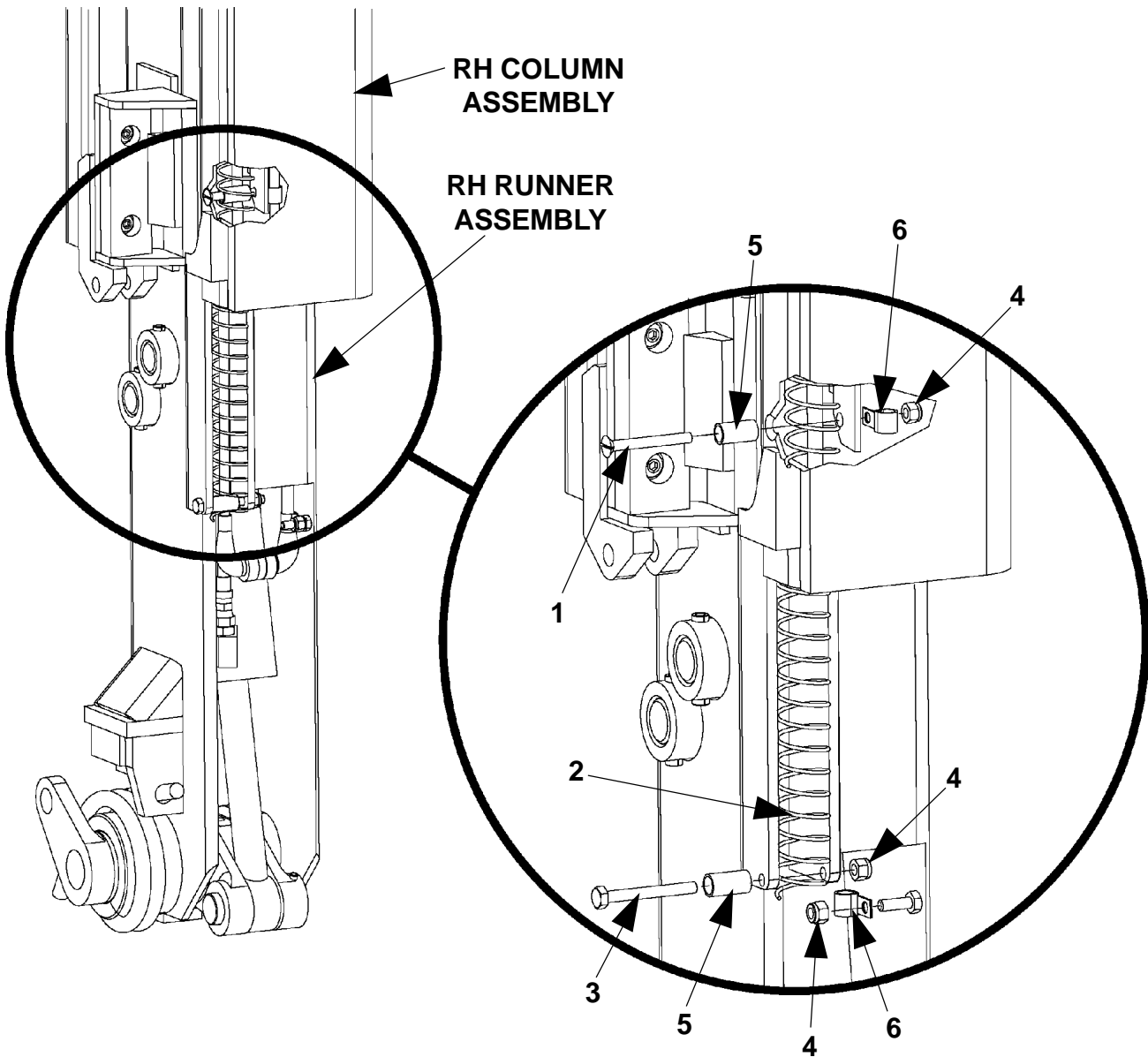
## R.H. RUNNER ASSEMBLY P/N 280297-01

ITEM	QTY.	PART NO.	DESCRIPTION
1	2	900014-3	HEX HEAD BOLT, 3/8"-16 x 3/4"
2	6	902011-4	LOCK WASHER, 3/8"
3	1	263221	UPPER PAD SUPPORT ASSEMBLY
4	A/R	263030	SPACER
5	1	280295-01	RH RUNNER
6	2	280055	TANDEM ASSEMBLY
7	2	280067	ARM WELDMENT
8	1	253544	PAD
9	12	207644	POP RIVET, 3/16" x .40"
10	1	253543	PAD
11	2	901001	NYLON LOCK NUT
12	1	225278-02	BUMPER
13	2	902000-7	FLAT WASHER, 5/16"
14	2	900001-3	BUTTON HEAD SCREW, 5/16"-18 x 1"
15	1	263225	LOWER PAD SUPPORT ASSEMBLY
16	1	905198	BEARING, SELF LUBE
17	1	253595	BEARING, SELF LUBE
18	4	900014-4	HEX HEAD BOLT, 3/8"-16 x 1"

**NOTE: A/R means As Required.**

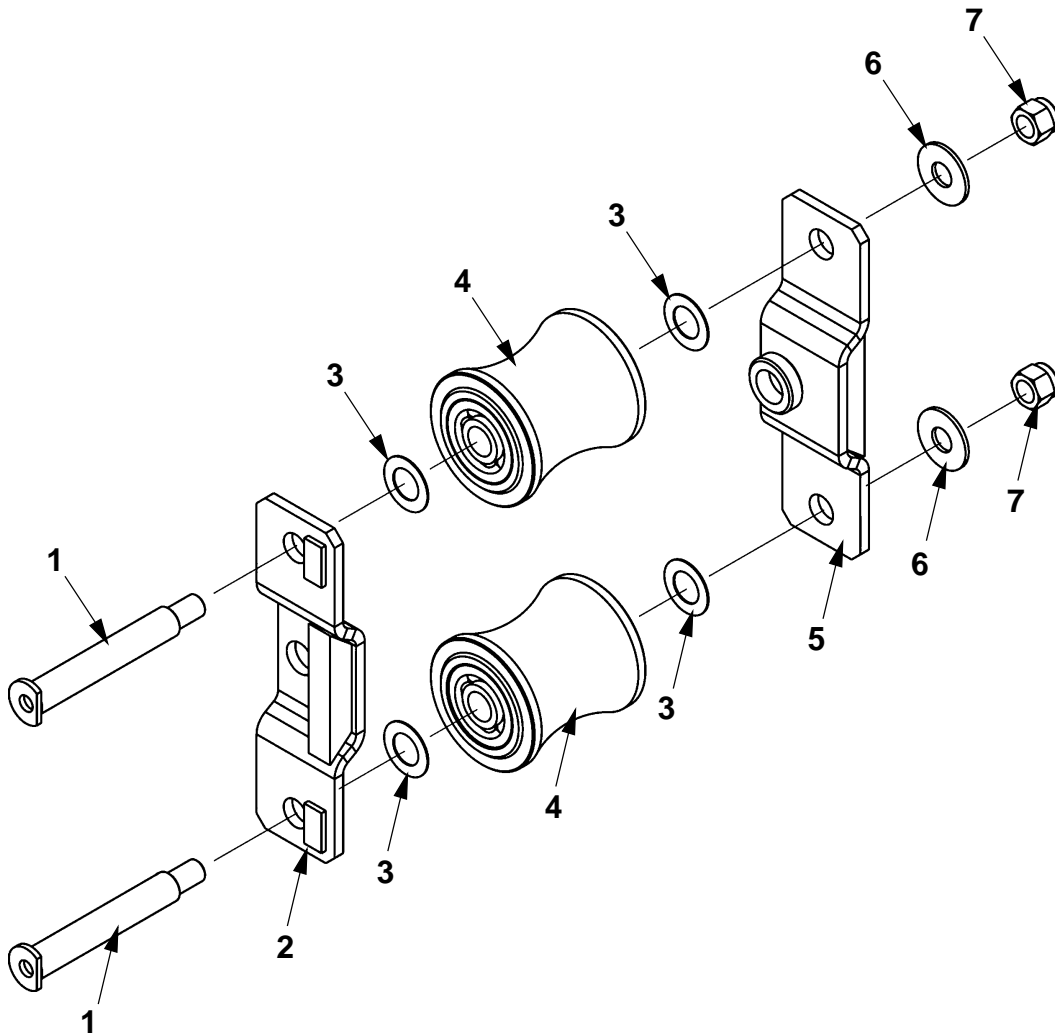
# SPRING GUARD MOUNTING

**MAXON**<sup>®</sup> 11921 Slauson Ave. Santa Fe Springs, CA. 90670 (800) 227-4116 FAX (888) 771-7713



ITEM	QTY.	PART NO.	DESCRIPTION
1	1	260299	FLAT HEAD SCREW, 1/4"-20 x 2-1/2" LG.
2	1	253603-01	SPRING GUARD
3	1	900000-9	HEX HEAD BOLT, GR 8, 1/4"-20 x 2-1/4" LG.
4	3	901000	NYLON LOCK NUT
5	2	253621	ROUND TUBE 1/2"DIA. x 15/16" LG.
6	2	224006	CLAMP, #6 RUBBER LOOM

# TANDEM ASSEMBLY P/N 280055

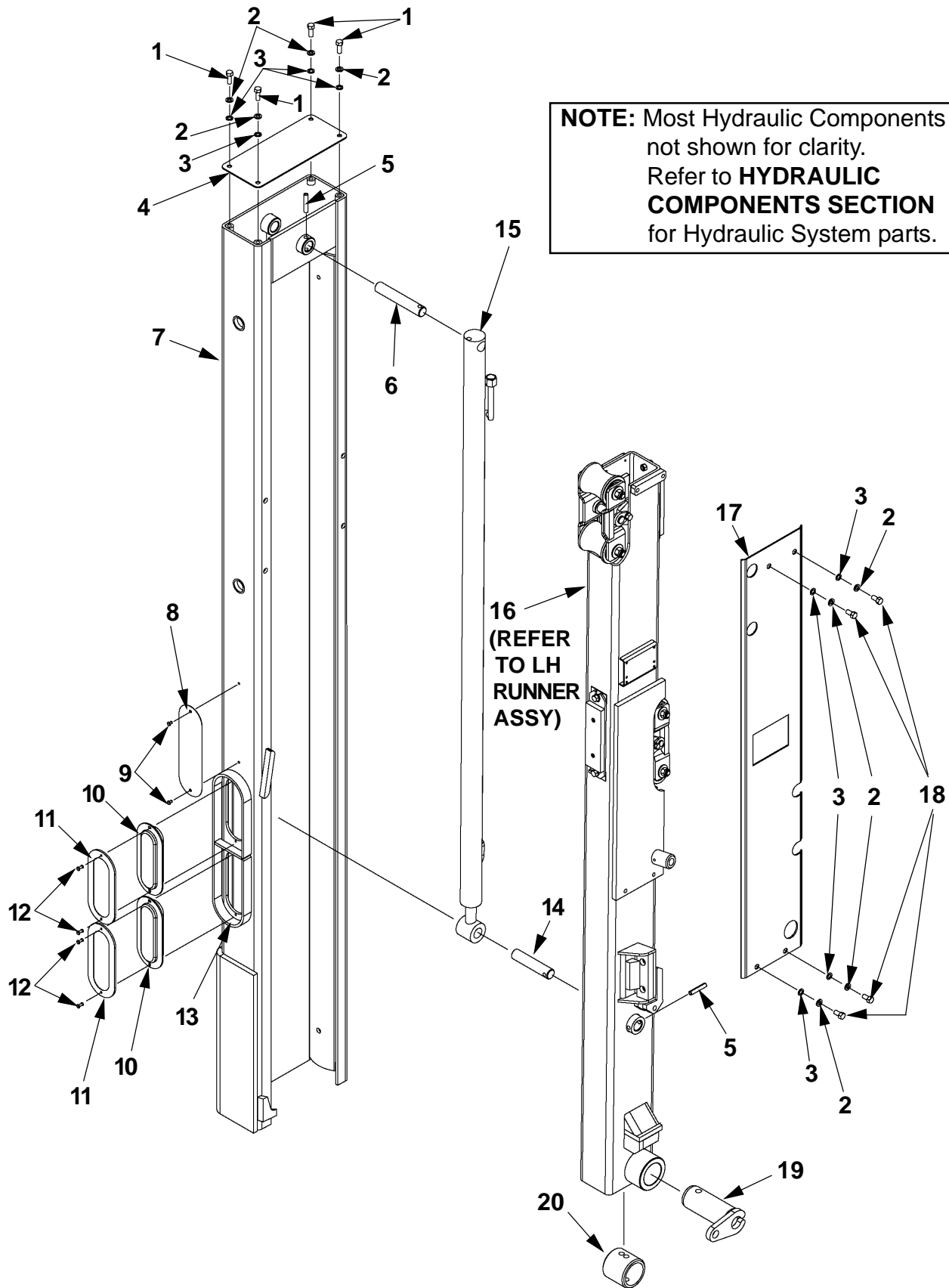


ITEM	QTY.	PART NO.	DESCRIPTION
1	2	253509-01	ROLLER AXLE
2	1	280064	ROLLER BRACKET
3	4	261182	FLAT WASHER, 1-1/4"
4	2	253550-100	ROLLER
5	1	280063	ROLLER BRACKET
6	2	902014	FLAT WASHER, 1-3/8"
7	2	901008	NYLON LOCK NUT

# L.H. COLUMN ASSEMBLY P/N 280298-01

**MAXON**

11921 Slauson Ave. Santa Fe Springs, CA. 90670 (800) 227-4116 FAX (888) 771-7713



**NOTE:** Most Hydraulic Components not shown for clarity. Refer to **HYDRAULIC COMPONENTS SECTION** for Hydraulic System parts.



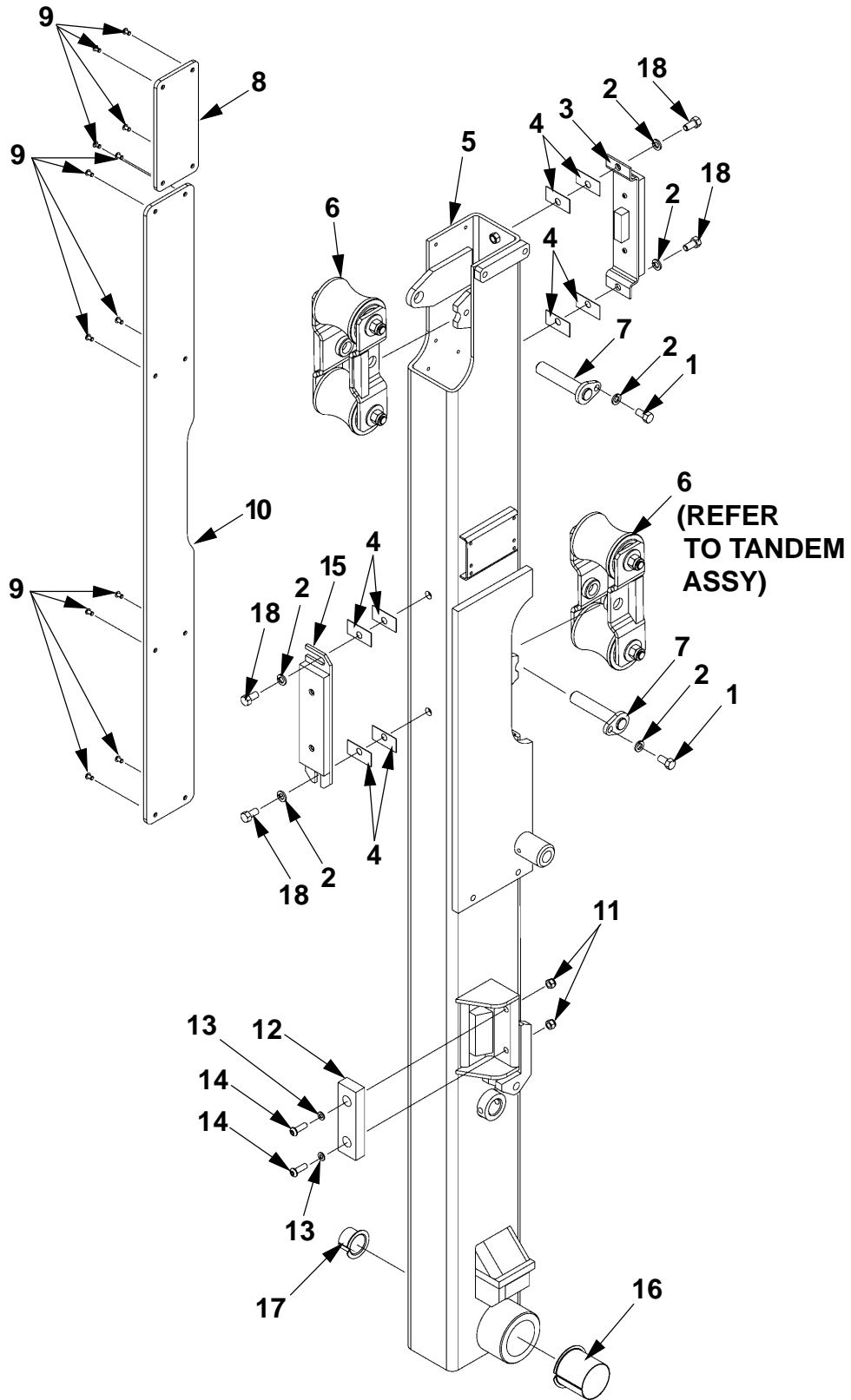
## L.H. COLUMN ASSEMBLY P/N 280298-01

ITEM	QTY.	PART NO.	DESCRIPTION
1	4	900014-4	HEX HEAD BOLT, 3/8"-16 x 1"
2	8	902011-4	LOCK WASHER, 3/8"
3	8	902000-10	FLAT WASHER, 3/8"
4	1	263114	COLUMN TOP COVER
5	2	221416	ROLL PIN
6	1	263457	PIN, 5-7/8"
7	1	280332-01	LH COLUMN
8	1	260478	MAXON PLATE
9	2	207644	POP RIVET, 3/16" x .40"
10	2	263903	LIGHT, STOP/TAIL/TURN LED
11	2	264132	SECURITY RING
12	4	904005-2	BLIND RIVET
13	1	264094	LIGHT GUARD
14	1	253590	PIN, 4-3/4"
15	1	-	CYLINDER (SEE HYDRAULIC SECTION)
16	1	280296-01	LH RUNNER ASSEMBLY
17	1	264393	COLUMN SIDE COVER
18	4	900064-2	BUTTON HD SCREW, 3/8"-16 x 5/8"
19	1	253579	PIN COLLAR WELDMENT
20	1	253696	PIN COLLAR, 2-3/4"

**MAXON**<sup>®</sup> 11921 Slauson Ave. Santa Fe Springs, CA. 90670 (800) 227-4116 FAX (888) 771-7713

# L.H. RUNNER ASSEMBLY P/N 280296-01

**MAXON**<sup>®</sup> 11921 Slauson Ave. Santa Fe Springs, CA. 90670 (800) 227-4116 FAX (888) 771-7713



## L.H. RUNNER ASSEMBLY P/N 280296-01

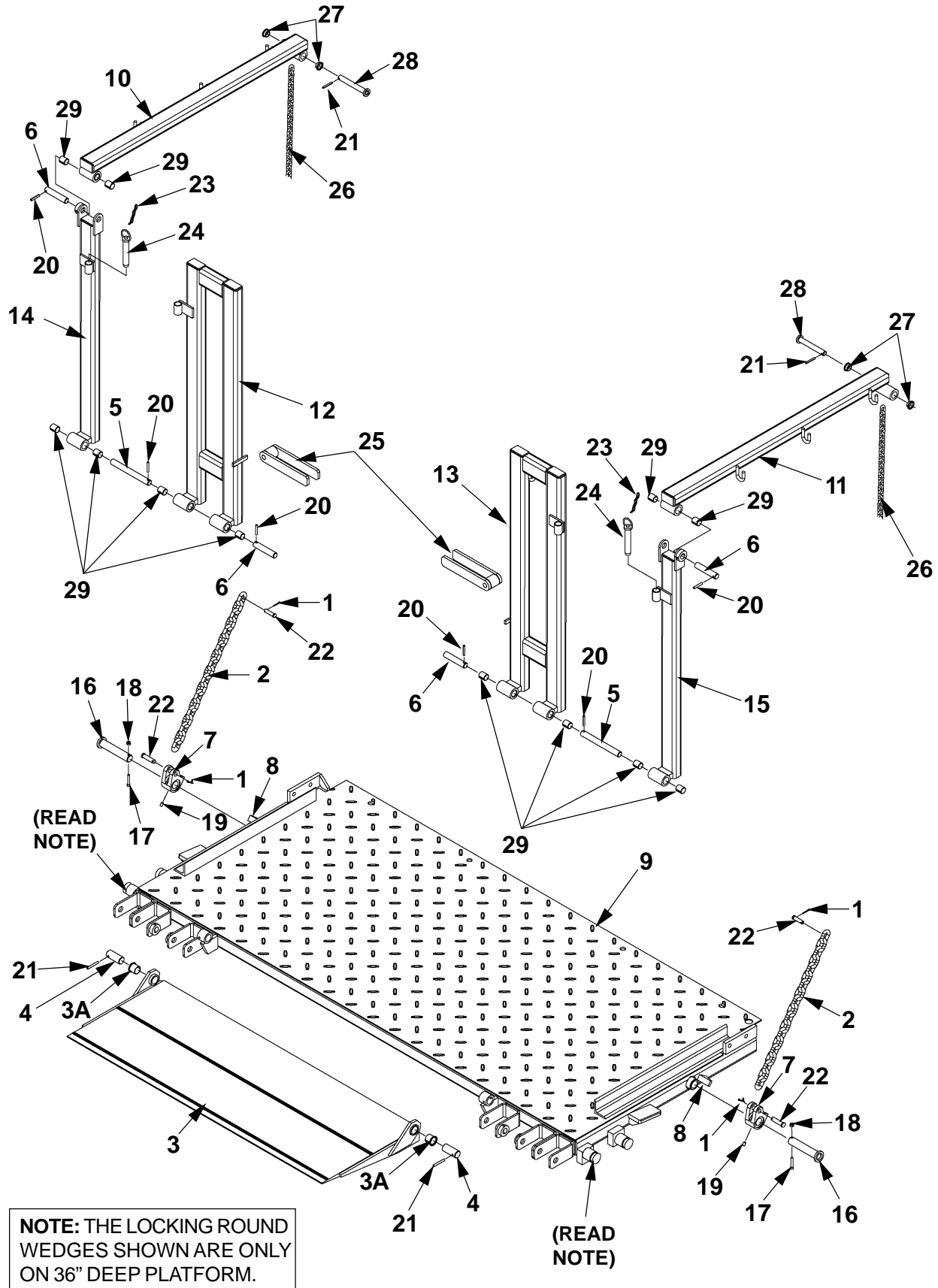
ITEM	QTY.	PART NO.	DESCRIPTION
1	2	900014-3	HEX HEAD BOLT, 3/8"-16 x 3/4"
2	6	902011-4	LOCK WASHER, 3/8"
3	1	263221	UPPER PAD SUPPORT ASSEMBLY
4	A/R	263030	SPACER
5	1	280294-01	LH RUNNER
6	2	280055	TANDEM ASSEMBLY
7	2	280067	ARM WELDMENT
8	1	253544	PAD
9	12	207644	POP RIVET, 3/16" x .40"
10	1	253543	PAD
11	2	901001	NYLON LOCK NUT
12	1	225278-02	BUMPER
13	2	902000-7	FLAT WASHER, 5/16"
14	2	900001-3	BUTTON HEAD SCREW, 5/16"-18 x 1"
15	1	263225	LOWER PAD SUPPORT ASSEMBLY
16	1	905198	BEARING, SELF LUBE
17	1	253595	BEARING, SELF LUBE
18	4	900014-4	HEX HEAD BOLT, 3/8"-16 x 1"

**NOTE: A/R means As Required.**

# CS PLATFORM ASSEMBLY (STEEL)

**MAXON**<sup>®</sup>

11921 Slauson Ave. Santa Fe Springs, CA. 90670 (800) 227-4116 FAX (888) 771-7713



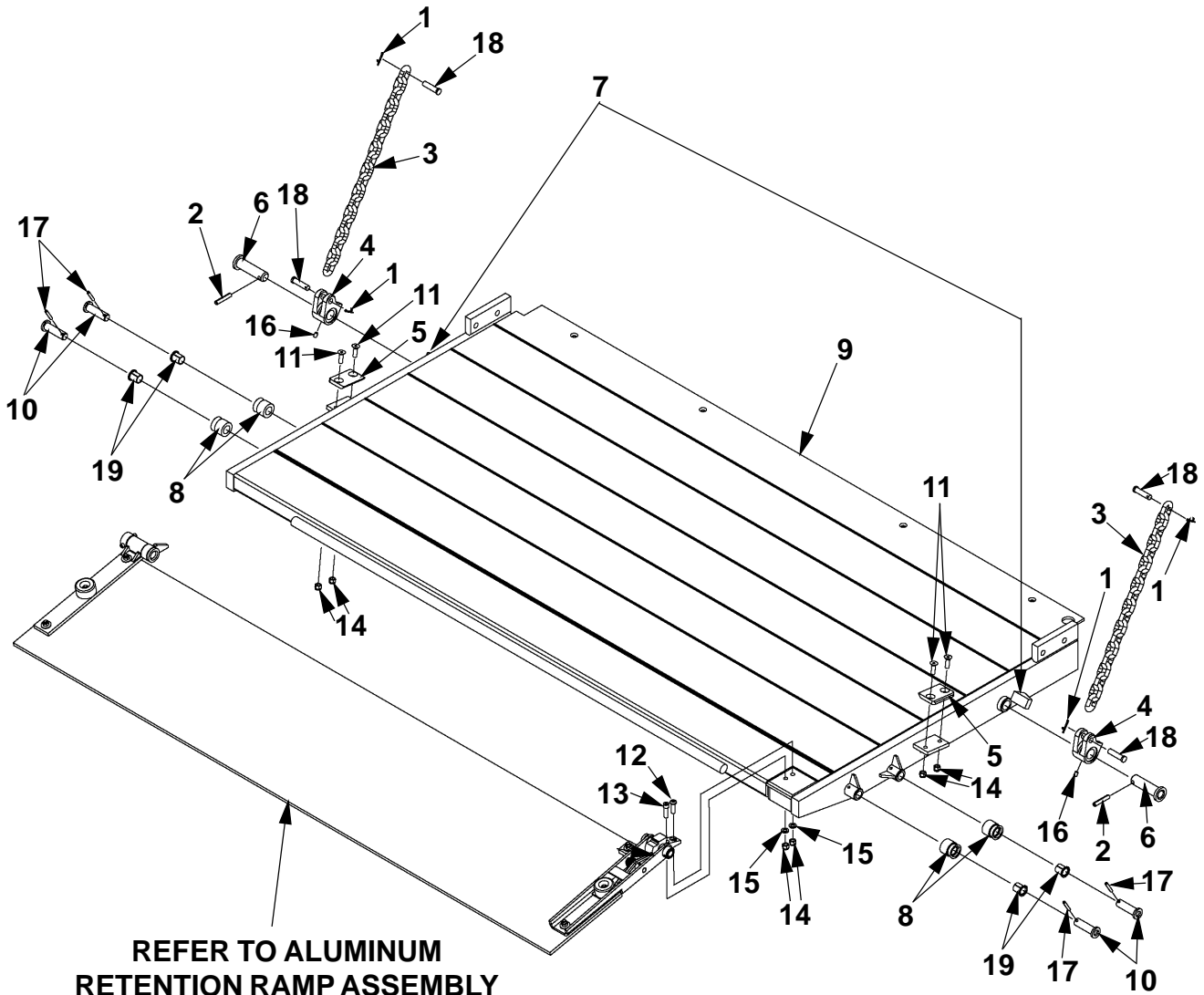
**NOTE: THE LOCKING ROUND WEDGES SHOWN ARE ONLY ON 36" DEEP PLATFORM.**

## CS PLATFORM ASSEMBLY (STEEL)

ITEM	QTY.	PART NO.	DESCRIPTION
<b>1</b>	4	030177	PIN, COTTER 1/8 x 1-1/2"
<b>2</b>	2	253606-26	CHAIN, 3/8" x 22-7/8" LG.
<b>3</b>		280586-01	RAMP, BMRA-CS EXTRUDED
<b>3A</b>	2	908002-01	BEARING, SELF LUBE
<b>4</b>	2	260772	PIN, 2-3/8"LG.
<b>5</b>	2	260876	PIN, 6-7/8"LG.
<b>6</b>	4	260877	PIN, 3-3/4"LG.
<b>7</b>	2	280021	CHAIN HOLDER
<b>8</b>	2	280212	STOP BLOCK
<b>9</b>	1	280312-01	PLATFORM (96" x 36" DEEP)
		280312-02	PLATFORM (96" x 42" DEEP)
		280312-03	PLATFORM (102"x 36" DEEP)
		280312-04	PLATFORM (102"x 42" DEEP)
<b>10</b>	1	280320-01	HORIZONTAL RAIL, LH (36" DEEP P/F)
		280320-03	HORIZONTAL RAIL, LH (42" DEEP P/F)
<b>11</b>	1	280320-02	HORIZONTAL RAIL, RH (36" DEEP P/F)
		280320-04	HORIZONTAL RAIL, RH (42" DEEP P/F)
<b>12</b>	1	280334-01	FOLDING RAIL, LH (96" WIDE P/F)
		280334-03	FOLDING RAIL, LH (102" WIDE P/F)
<b>13</b>	1	280334-02	FOLDING RAIL, RH (96" WIDE P/F)
		280334-04	FOLDING RAIL, RH (102" WIDE P/F)
<b>14</b>	1	280335-01	CORNER POST, LH
<b>15</b>	1	280335-02	CORNER POST, RH
<b>16</b>	2	280459-01	PIN WELDMENT
<b>17</b>	2	900025-6	SOCKET HD SCREW, 1/4"-20 x 1-1/2"
<b>18</b>	2	901000	NYLON LOCK NUT, 1/4"-20
<b>19</b>	2	903006-3	SETSCREW, 5/16"-18 x 1/2"
<b>20</b>	6	905033-1	ROLL PIN, 1-1/2"LG.
<b>21</b>	2	905033-5	ROLL PIN, 2"LG.
<b>22</b>	4	905136-01	CLEVIS PIN, 1/2"x1-29/32"
<b>23</b>	2	050408-05	CHAIN, 5 LINKS
<b>24</b>	2	202802	BALL LOCK PIN
<b>25</b>	2	260755	LATCH ASSEMBLY
<b>26</b>	2	050162-12	CHAIN, 2/0 x 46"
<b>27</b>	4	265072	BEARING, SELF LUBE
<b>28</b>	2	280324-01	PIN WELDMENT
<b>29</b>	12	260917-06	BEARING, SELF LUBE

# ONE PIECE ALUMINUM PLATFORM ASSEMBLY (42" DEEP)

**MAXON**<sup>®</sup> 11921 Slauson Ave. Santa Fe Springs, CA. 90670 (800) 227-4116 FAX (888) 771-7713



**REFER TO ALUMINUM  
RETENTION RAMP ASSEMBLY  
(FOR ALUMINUM PLATFORM  
ASSEMBLIES)**

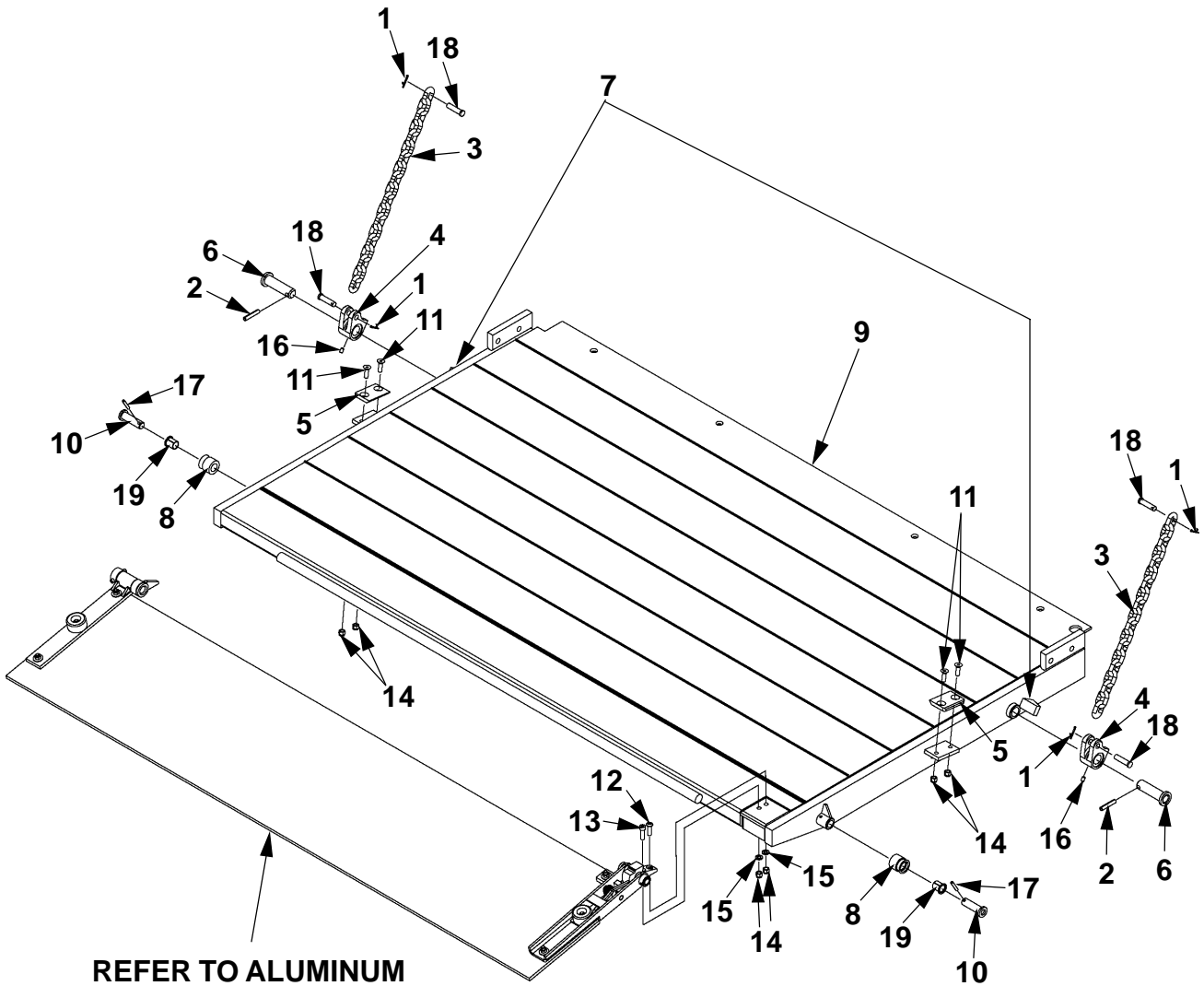
# ONE PIECE ALUMINUM PLATFORM ASSEMBLY (42" DEEP)

ITEMS	QTY.	PART NO.	DESCRIPTION
1	4	030177	COTTER PIN, 1/8" x 1-1/2" LG.
2	2	221416	ROLL PIN, 3/8" x 2" LG.
3	2	253606-26	CHAIN, 3/8" x 22-7/8"
4	2	280021	CHAIN HOLDER
5	2	280027	BRACKET
6	2	280127	PIN WELDMENT
7	2	280209	STOP BLOCK
8	4	280283-01	LOCKING ROUND WEDGE
		280310-01	PLATFORM WELDMENT (80" WIDE x 42" DEEP)
9	1	280310-03	PLATFORM WELDMENT (86" WIDE x 42" DEEP)
10	4	280495-01	PIN WELDMENT
11	4	900040-5	SOCKET FLAT HD SCREW, 3/8"-16 x 1-1/4"
12	1	900064-06	BUTTON HEAD CAP SCREW, 3/8"-16 x 1-1/4"
13	1	900065-05	SOCKET HEAD SCREW, 3/8"-16 x 1-1/4"
14	6	901002	NYLON LOCK NUT, 3/8"-16
15	2	902000-10	FLAT WASHER, 3/8"
16	2	903006-3	SET SCREW, 5/16"-18 x 1/2"
17	4	905033-1	ROLL PIN
18	4	905136-01	CLEVIS PIN, 1/2" x 1-29/32"
19	4	905305-01	BEARING, SELF LUBE

**MAXON**<sup>®</sup> 11921 Slauson Ave. Santa Fe Springs, CA. 90670 (800) 227-4116 FAX (888) 771-7713

# ONE PIECE ALUMINUM PLATFORM ASSEMBLY (48" DEEP)

**MAXON**<sup>®</sup> 11921 Slauson Ave. Santa Fe Springs, CA. 90670 (800) 227-4116 FAX (888) 771-7713



**REFER TO ALUMINUM  
RETENTION RAMP ASSEMBLY  
(FOR ALUMINUM PLATFORM  
ASSEMBLIES)**



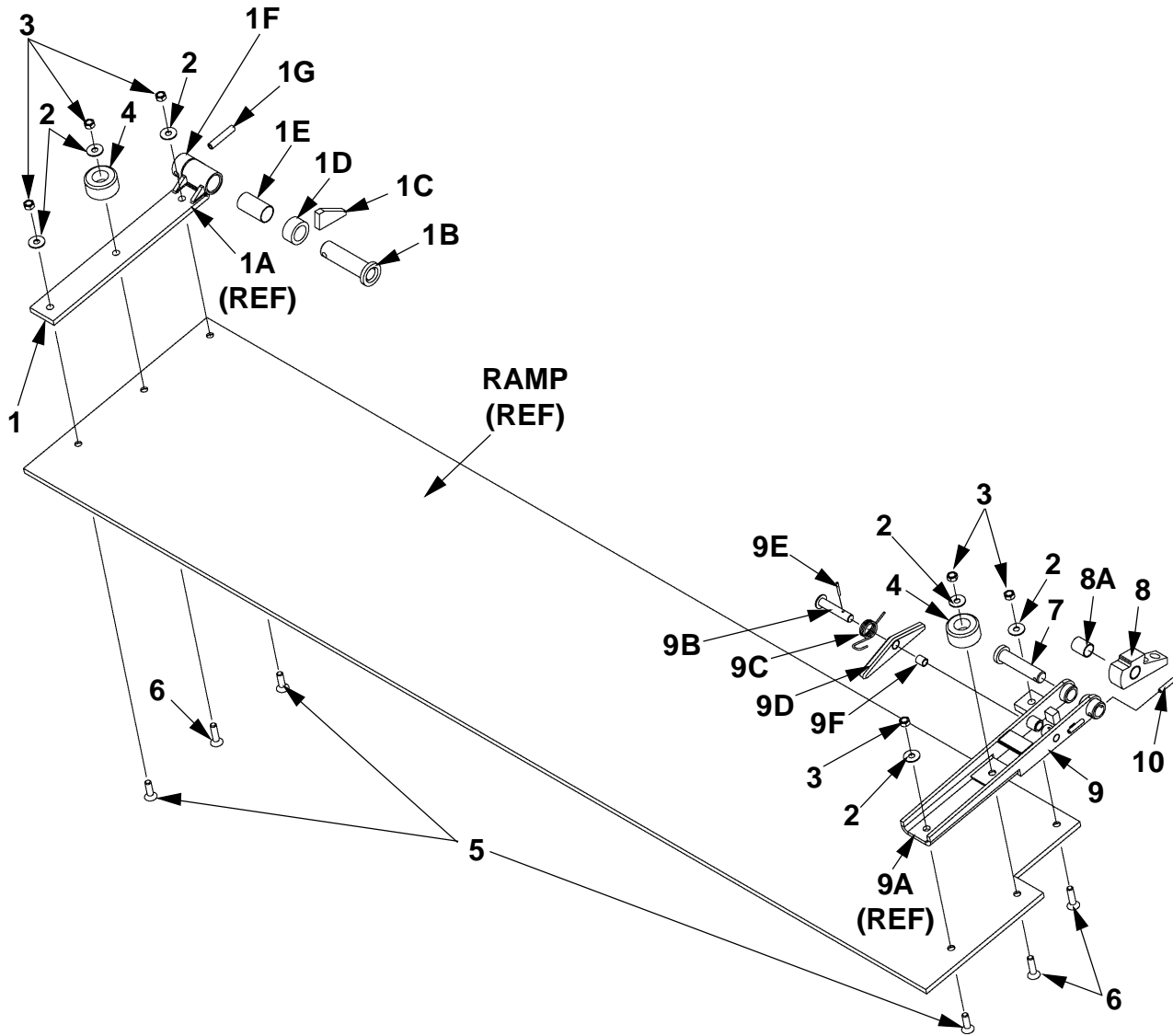
# ONE PIECE ALUMINUM PLATFORM ASSEMBLY (48" DEEP)

ITEMS	QTY.	PART NO.	DESCRIPTION
1	4	030177	COTTER PIN, 1/8" x 1-1/2" LG.
2	2	221416	ROLL PIN, 3/8" x 2" LG.
3	2	253606-26	CHAIN, 3/8" x 22-7/8"
4	2	280021	CHAIN HOLDER
5	2	280027	BRACKET
6	2	280127	PIN WELDMENT
7	2	280209	STOP BLOCK
8	2	280283-01	LOCKING ROUND WEDGE
9	1	280310-02	PLATFORM WELDMENT (96" WIDE x 48" DEEP)
		280310-04	PLATFORM WELDMENT (102" WIDE x 48" DEEP)
10	2	280495-01	PIN WELDMENT
11	4	900040-5	SOCKET FLAT HD SCREW, 3/8"-16 x 1-1/4"
12	1	900064-06	BUTTON HEAD CAP SCREW, 3/8"-16 x 1-1/4"
13	1	900065-05	SOCKET HEAD SCREW, 3/8"-16 x 1-1/4"
14	6	901002	NYLON LOCK NUT, 3/8"-16
15	2	902000-10	FLAT WASHER, 3/8"
16	2	903006-3	SET SCREW, 5/16"-18 x 1/2"
17	2	905033-1	ROLL PIN
18	4	905136-01	CLEVIS PIN, 1/2" x 1-29/32"
19	2	905305-01	BEARING, SELF LUBE

**MAXON**<sup>®</sup> 11921 Slauson Ave. Santa Fe Springs, CA. 90670 (800) 227-4116 FAX (888) 771-7713

# ALUMINUM RETENTION RAMP ASSEMBLY (FOR ALUMINUM PLATFORMS)

**MAXON**<sup>®</sup> 11921 Slauson Ave. Santa Fe Springs, CA. 90670 (800) 227-4116 FAX (888) 771-7713

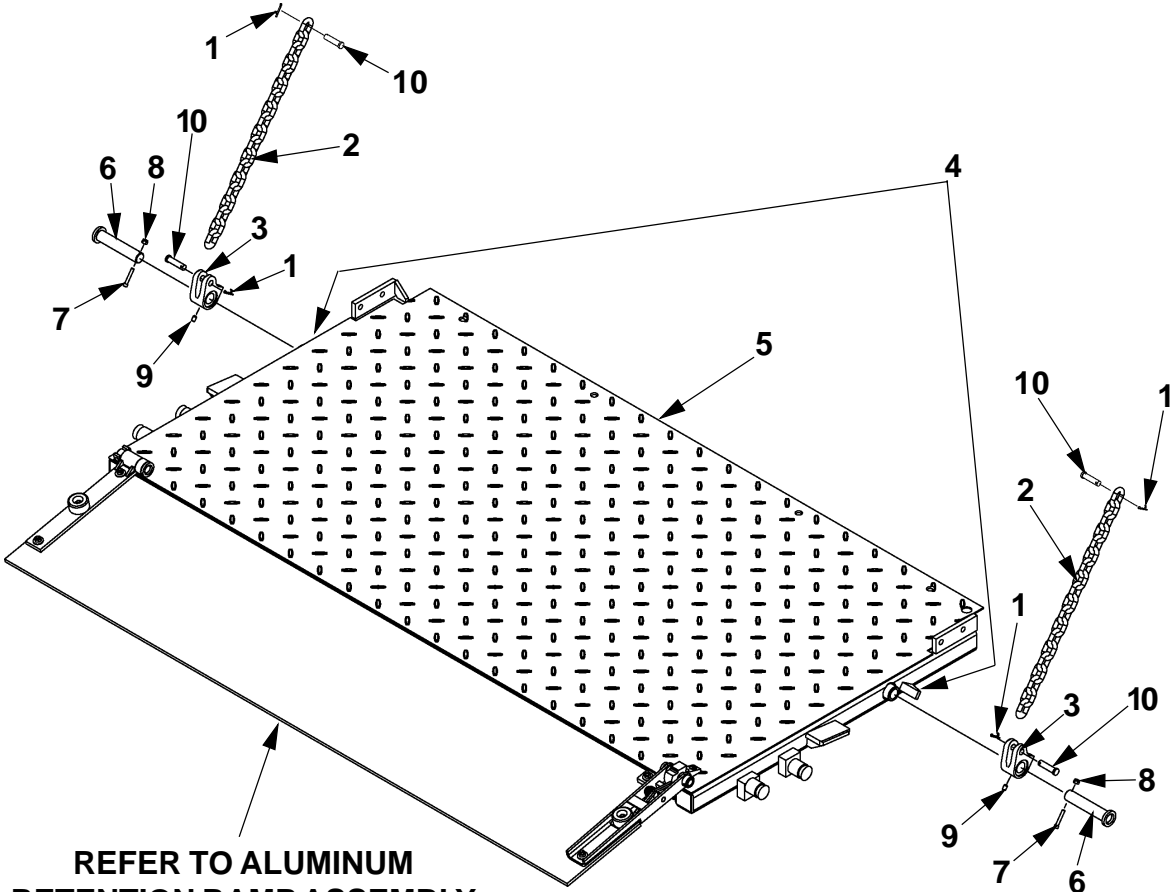


## ALUMINUM RETENTION RAMP ASSEMBLY (FOR ALUMINUM PLATFORMS)

ITEM	QTY.	PART NO.	DESCRIPTION
REF	1	264697-02	ALUMINUM RAMP (96" WIDE PLATFORM)
		264697-03	ALUMINUM RAMP (102" WIDE PLATFORM)
1	1	263463	HINGE ASSEMBLY LH
1A	1	REF	HINGE ARM WELDMENT
1B	1	253528	PIN WELDMENT
1C	1	263467	GUSSET
1D	1	091884-10	ROUND TUBE, ALUMINUM, 3/4" LG.
1E	1	253541	BEARING, SELF LUBE
1F	1	263466	PIN COLLAR
1G	1	221416	ROLL PIN, 3/8" x 2" LG.
2	6	902001-4	LOCK WASHER, 3/8"
3	6	030955	LOCK NUT, 3/8"-16
4	2	253516	RUBBER BUMPER
5	3	900040-5	SOCKET FLAT HD SCREW, 3/8-16 X 1-1/4"
6	3	900040-6	SOCKET FLAT HD SCREW, 3/8-16 X 1-1/2"
7	1	264586	PIN WELDMENT, 3/4"
8	1	264639	LOCKING CAM
8A	1	260917-06	BEARING, SELF LUBE
9	1	264572	HINGE ASSEMBLY RH
9A	1	REF	HINGE WELDMENT, RH
9B	1	264577	PIN WELDMENT, 1/2"
9C	1	264638	TORSION SPRING, LH
9D	1	264547	LOCKING ARM ASSY
9E	1	030406	ROLL PIN, 1/8" x 1"
9F	1	253542	BEARING, SELF LUBE
10	1	905033-2	ROLL PIN, 1/4" x 1-1/4" LG.
11	1	225985	PIPE, SCHED. 80, 3/4" x 60" LG.

**MAXON** 11921 Slauson Ave. Santa Fe Springs, CA. 90670 (800) 227-4116 FAX (888) 771-7713

# ONE PIECE STEEL PLATFORM ASSEMBLY



**REFER TO ALUMINUM  
RETENTION RAMP ASSEMBLY  
(FOR STEEL PLATFORM  
ASSEMBLIES)**

**MAXON**<sup>®</sup> 11921 Slauson Ave. Santa Fe Springs, CA. 90670 (800) 227-4116 FAX (888) 771-7713

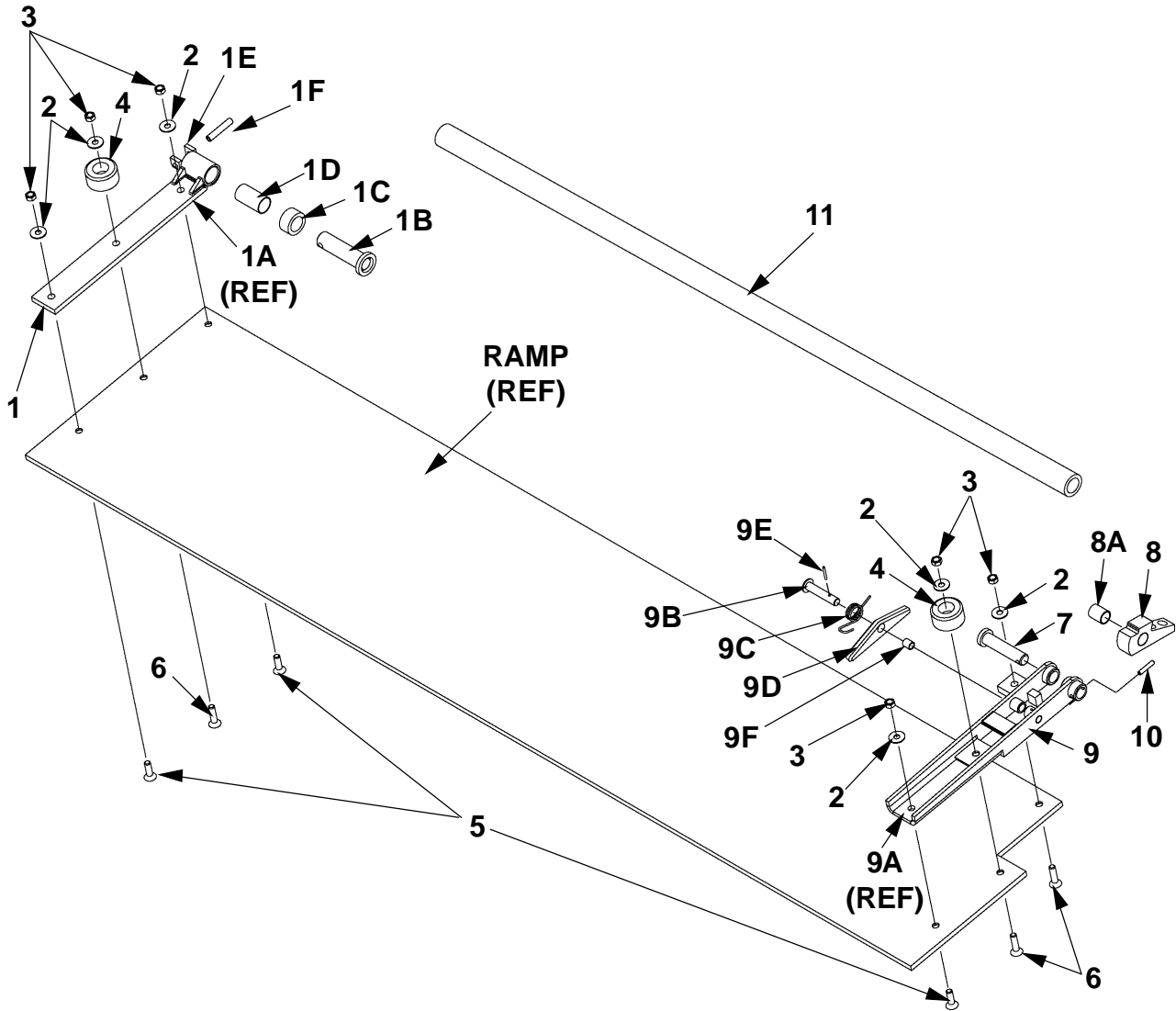
# ONE PIECE STEEL PLATFORM ASSEMBLY

ITEMS	QTY.	PARTNO.	DESCRIPTION
1	4	030177	COTTER PIN
2	2	253606-26	CHAIN
3	2	280021	CHAIN HOLDER
4	2	280212	STOP BLOCK
5	1	280311-01	PLATFORM (96" x 42" DEEP)
		280311-02	PLATFORM (96" x 48" DEEP)
		280311-03	PLATFORM (102" x 42" DEEP)
		280311-04	PLATFORM (102" x 48" DEEP)
6	2	280459-01	PIN WELDMENT
7	2	900025-6	SOCKET HD SCREW, 1/4"-20 x 1-1/2"
8	2	901000	NYLON LOCK NUT, 1/4"-20
9	2	903006-3	SET SCREW 5/16"-18 x 1/2"
10	4	905136-01	CLEVIS PIN, 1/2" x 1-29/32"

**MAXON®** 11921 Slauson Ave. Santa Fe Springs, CA. 90670 (800) 227-4116 FAX (888) 771-7713

# ALUMINUM RETENTION RAMP ASSEMBLY (FOR STEEL PLATFORMS)

**MAXON**® 11921 Slauson Ave. Santa Fe Springs, CA. 90670 (800) 227-4116 FAX (888) 771-7713

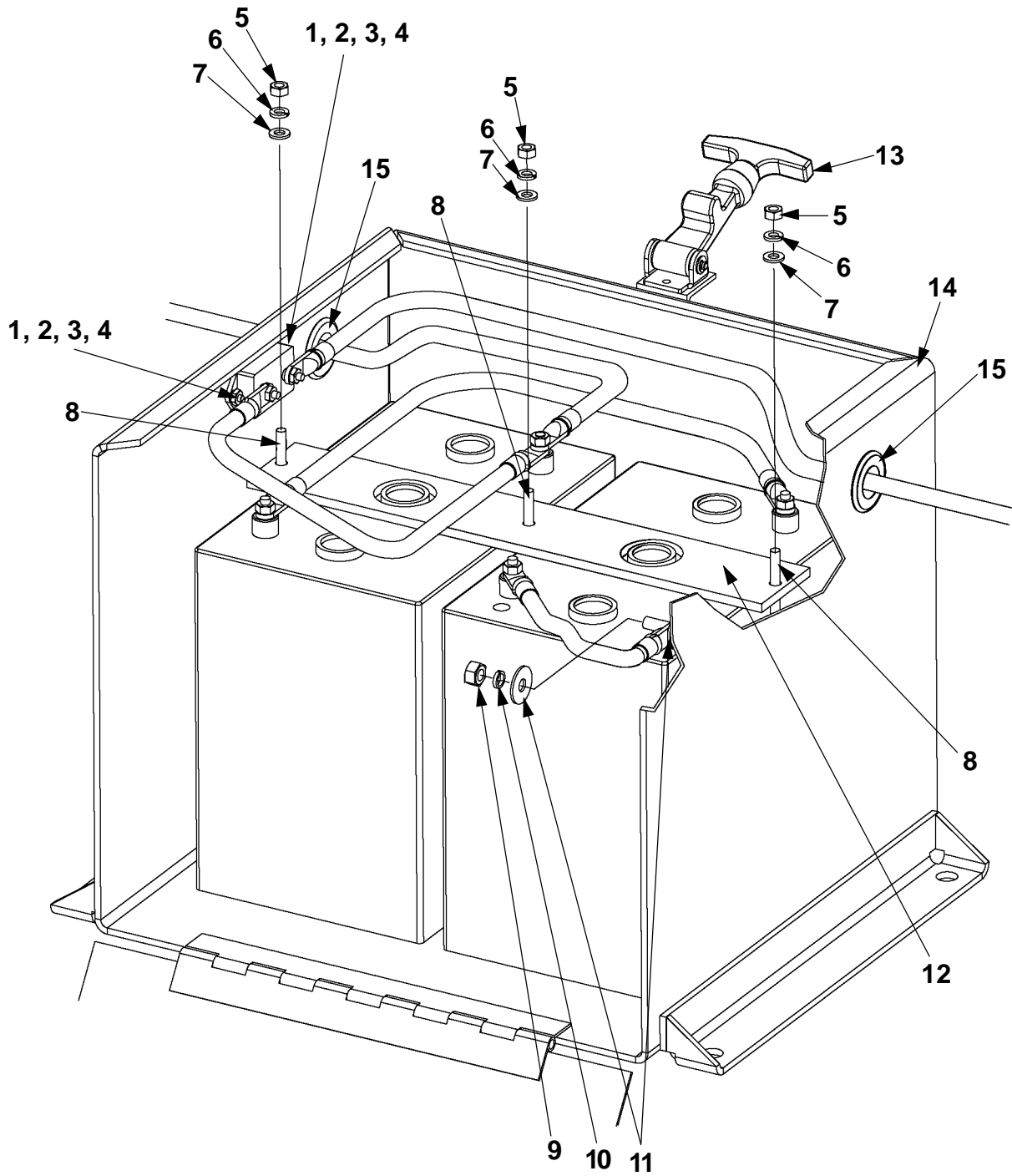


## ALUMINUM RETENTION RAMP ASSEMBLY (FOR STEEL PLATFORMS)

ITEM	QTY.	PART NO.	DESCRIPTION
REF	1	264697-06	ALUMINUM RAMP (96" WIDE PLATFORM)
		264697-07	ALUMINUM RAMP (102" WIDE PLATFORM)
1	1	253524	HINGE ASSEMBLY LH
1A	1	REF	HINGE ARM WELDMENT
1B	1	253528	PIN WELDMENT
1C	1	253517	BUSHING, 3/4" LG.
1D	1	253541	BEARING, SELF LUBE
1E	1	078202	PIN COLLAR
1F	1	221416	ROLL PIN, 3/8" x 2" LG.
2	6	902001-4	LOCK WASHER, 3/8"
3	6	030955	LOCK NUT, 3/8"-16
4	2	253516	RUBBER BUMPER
5	3	900040-5	SOCKET FLAT HD SCREW, 3/8-16 X 1-1/4"
6	3	900040-6	SOCKET FLAT HD SCREW, 3/8-16 X 1-1/2"
7	1	264586	PIN WELDMENT, 3/4"
8	1	264639	LOCKING CAM
8A	1	260917-06	BEARING, SELF LUBE
9	1	264572	HINGE ASSEMBLY RH
9A	1	REF	HINGE WELDMENT, RH
9B	1	264577	PIN WELDMENT, 1/2"
9C	1	264638	TORSION SPRING, LH
9D	1	264547	LOCKING ARM ASSY
9E	1	030406	ROLL PIN, 1/8" x 1"
9F	1	253542	BEARING, SELF LUBE
10	1	905033-2	ROLL PIN, 1/4" x 1-1/4" LG.

**MAXON** 11921 Slauson Ave. Santa Fe Springs, CA. 90670 (800) 227-4116 FAX (888) 771-7713

# BATTERY BOX & HARDWARE



**MAXON**<sup>®</sup>  
11921 Slauson Ave. Santa Fe Springs, CA. 90670 (800) 227-4116 FAX (888) 771-7713



## BATTERY BOX & HARDWARE

ITEM	QTY.	PART NO.	DESCRIPTION
1	2	902011-1	LOCK WASHER, #10
2	2	902000-6	FLAT WASHER, #10
3	2	030344	HEX NUT, #10-32
4	2	030609	MACHINE SCREW, #10-32
5	3	901011-1	HEX NUT, 1/4"-20
6	3	902011-2	LOCK WASHER, 1/4"
7	3	902000-1	FLAT WASHER, 1/4"
8	3	227722	ROD, BATTERY HOLD DOWN
9	1	901005	HEX NUT, 5/16"-18
10	1	902011-3	LOCK WASHER, 5/16"
11	2	902000-7	FLAT WASHER, 5/16"
12	1	250479	BATTERY HOLD DOWN
13	1	215139	CATCH & FASTENER
14	1	264022	DUAL BATTERY BOX
15	2	251097	GROMMET, RUBBER 7/8 X 1-5/8

**MAXON**<sup>®</sup> 11921 Slauson Ave. Santa Fe Springs, CA. 90670 (800) 227-4116 FAX (888) 771-7713

**THIS PAGE INTENTIONALLY LEFT BLANK**

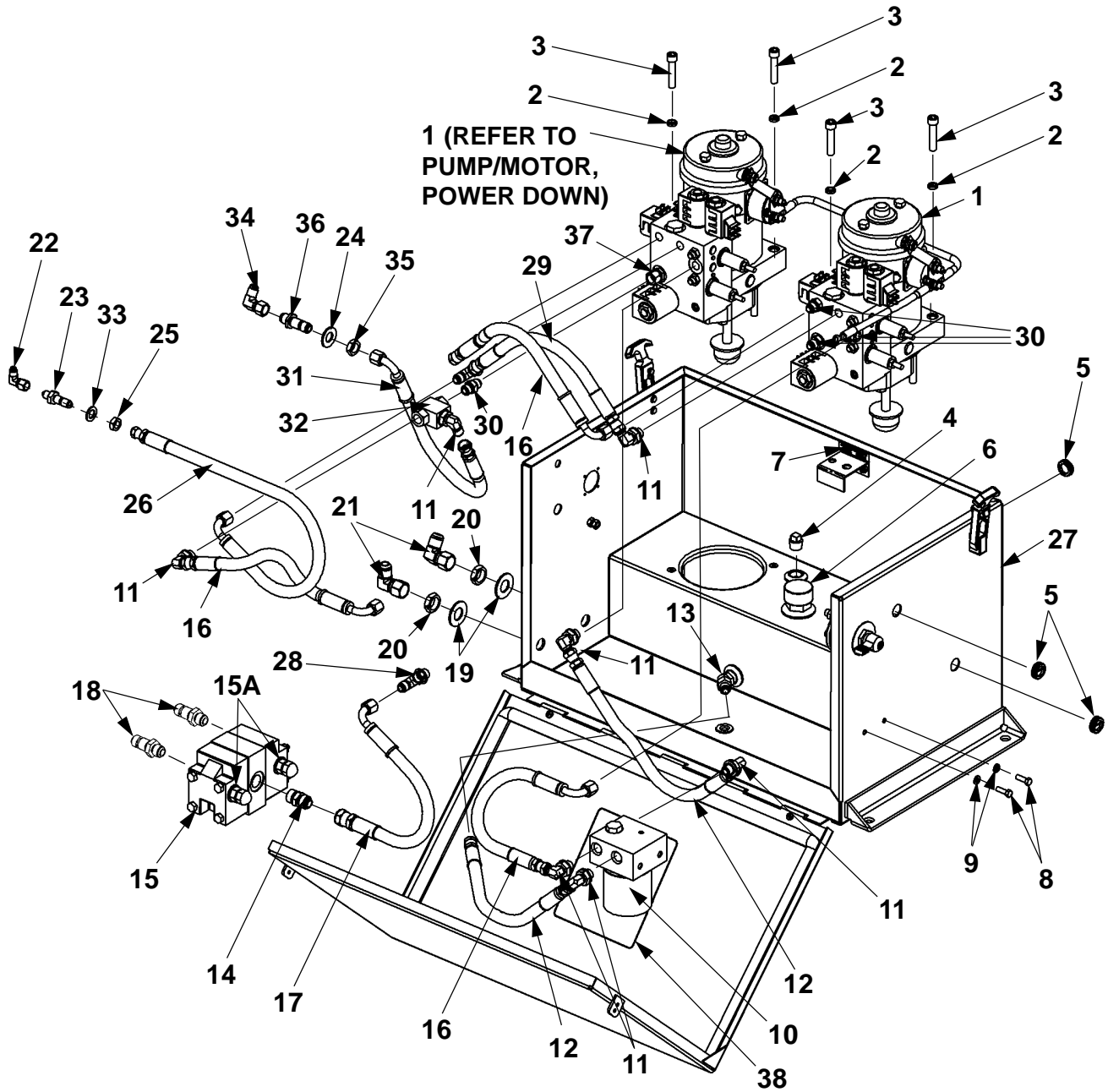
# HYDRAULIC COMPONENTS SECTION

# DUAL PUMP ASSEMBLY, POWER DOWN

## P/N 264200

**MAXON**

11921 Slauson Ave. Santa Fe Springs, CA. 90670 (800) 227-4116 FAX (888) 771-7713



## DUAL PUMP ASSEMBLY, POWER DOWN P/N 264200

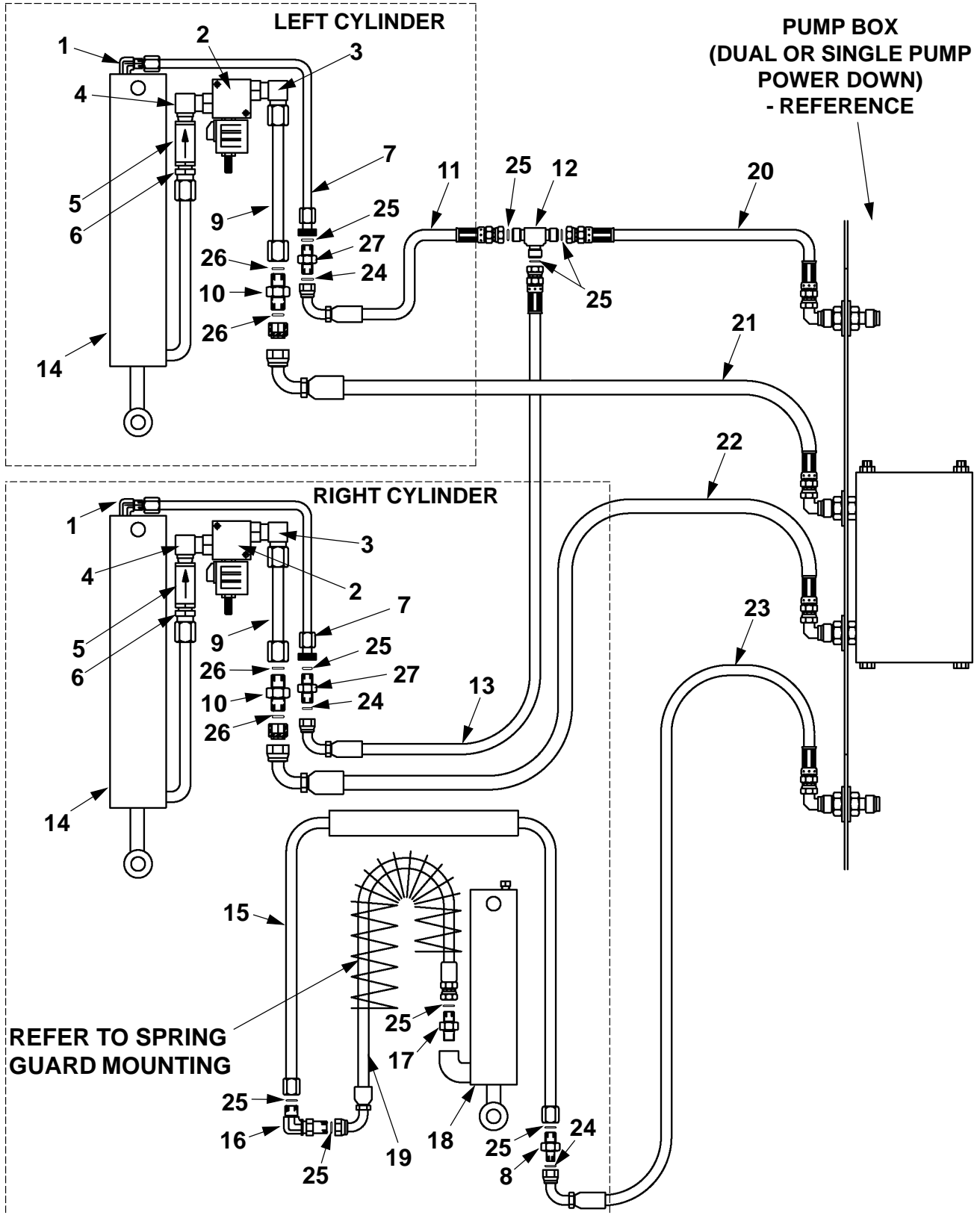
ITEM	QTY.	PART NO.	DESCRIPTION
1	2	264191	PUMP/MOTOR, POWER DOWN
2	4	263952	LOCK WASHER, 3/8" ZINC
3	4	263951	CAP SCREW, 3/8"-16 x 1-3/4" LG.
4	1	700729	PLUG, 3/8"
5	3	261416	GROMMET, 3/4" RUBBER
6	1	263369	FILLER CAP
7	1	264183	DECAL PUMP SELECTOR
8	2	900004-2	CAP SCREW, 1/4"-20 x 3/4" LG. ZINC
9	2	902011-2	LOCK WASHER, 1/4" x 1/16" THK.
10	1	260920	SPIN-ON OIL FILTER
11	7	905152	ELBOW, 90°, SAE#6 x JIC37#6
12	2	263967	HOSE, 3/8" HP JIC#6 F-F x 16.12" LG.
13	1	905177	ELBOW, 45°, 3/8" NPT x 3/8" JIC
14	1	253706	STRAIGHT UNION SAE#8 x JIC#8 M-M
15	1	253513	FLOW DIVIDER
15A	2	902024	WASHER, THREAD SEAL
16	3	263966	HOSE, 3/8" HP JIC#6 F-F x 14.4" LG.
17	1	263971	HOSE, 3/8" HP JIC#6 F-F x 17.57" LG.
18	2	261461	UNION, BLKHD, SAE 37° FLARE TWIN
19	2	902000-20	FLAT WASHER, 3/4"
20	2	261462	NUT, BULKHD, SAE 37° FLARE TWIN
21	2	260120	ELBOW, 90°, JIC#8-M x JIC#8-F
22	1	905027	ELBOW JIC#4 M-F SW
23	1	905096	STRAIGHT UNION JIC#4
24	1	902010	FLAT WASHER, 19/32" ZINC
25	1	905085	NUT, BULKHEAD, JIC#4
26	1	264196	HOSE, 90°, 3/8" HP JIC#6
27	1	264260	PUMP BOX ASSEMBLY
28	1	264180	TEE, STRAIGHT THREAD, O-RING
29	1	264091	HOSE, 3/8" HP JIC#6 F-F 13.8
30	4	905153	FITTING STR. THD. SAE#6 x JIC #6
31	1	264197	HOSE, 3/8" HP JIC#6
32	1	264198	IN-LINE SHUTTLE VALVE
33	1	902000-14	FLAT WASHER, 1/2" X 7/64"
34	1	905154	ELBOW, 90° JIC#6 M-F
35	1	905086	NUT, BLKHD, JIC#6
36	1	905100	STRAIGHT UNION JIC#6
37	1	905181	SWIVEL, SAE 37°, 3/8" M-JIC#6
38	1	265330-02	DECAL, P/D HYDRAULIC FLUID LEVEL

**MAXON**<sup>®</sup> 11921 Slauson Ave. Santa Fe Springs, CA. 90670 (800) 227-4116 FAX (888) 771-7713

# HYDRAULIC COMPONENTS, POWER DOWN

**MAXON**

11921 Slauson Ave. Santa Fe Springs, CA. 90670 (800) 227-4116 FAX (888) 771-7713



# HYDRAULIC COMPONENTS, POWER DOWN

ITEM	QTY.	PART NO.	DESCRIPTION
1	2	905157	ELBOW, 3/8" x 1/4" M-M
2	2	253942	HYD. LOCK VALVE
3	2	905158	ELBOW STRAIGHT, #8 x #6 M-M
4	2	260164	ELBOW 90° STRAIGHT, #6 x 1/4" M-M
5	2	253745	VALVE PRESSURE COMP.
6	2	905176	STRAIGHT CONNECTOR, #8 x #4 M-M
7	2	264027	"L" TUBE ASSEMBLY, 98" x 5"
8	1	905180	UNION, FACE SEAL, # 6-#4, 1/4"M - 3/8"M
9	2	264026	TUBE ASSEMBLY, 96"LG
10	2	905161	UNION, #8 M-M
11	1	264294-02	HOSE ASSEMBLY HP, 100"
12	1	905150	TEE, UNION 3/8" F.S. MALE, 6-JLO
12A	3	906712-02	O-RING #6, 3/8" ORFS TUBE END
13	1	264294-03	HOSE ASSEMBLY HP, 24"
14	2	263200-01	CYLINDER (BMR-A -35 & -44)
		253315-01	CYLINDER (BMR-A -55 & -66)
14A	1	280524	SEAL KIT, CYL. (BMR-A -35 & -44)
		280523	SEAL KIT, CYL. (BMR-A -55 & -66)
15	1	263997	"U" TUBE ASSEMBLY, 98" x 11"
16	1	905162	ELBOW BULKHEAD UNION, #6 M-M
17	1	905179	CONNECTOR, #4 x #6 M-M
18	1	264103	CLOSING CYLINDER
18A	1	280528	SEAL KIT, CYLINDER
19	1	264109	HOSE ASSEMBLY HP, 46"
20	1	280229-01	HOSE ASSEMBLY HP, 34"
		280229-02	HOSE ASSEMBLY HP, 166"
		280229-03	HOSE ASSEMBLY HP, 286"
21	1	280223-02	HOSE ASSEMBLY HP, 142"
		280223-04	HOSE ASSEMBLY HP, 274"
		280223-06	HOSE ASSEMBLY HP, 394"
22	1	280223-01	HOSE ASSEMBLY HP, 64"
		280223-03	HOSE ASSEMBLY HP, 196"
		280223-05	HOSE ASSEMBLY HP, 316"
23	1	280232-01	HOSE ASSEMBLY HP, 56"
		280232-02	HOSE ASSEMBLY HP, 188"
		280232-03	HOSE ASSEMBLY HP, 308"
24	3	906712-01	O-RING, #4 (1/4" FACE SEAL TUBE-END)
25	8	906712-02	O-RING, #6 (3/8" FACE SEAL TUBE-END)
26	4	906712-03	O-RING, #8 (1/2" FACE SEAL TUBE-END)
27	2	905175	UNION, FACE SEAL, #6 M-M

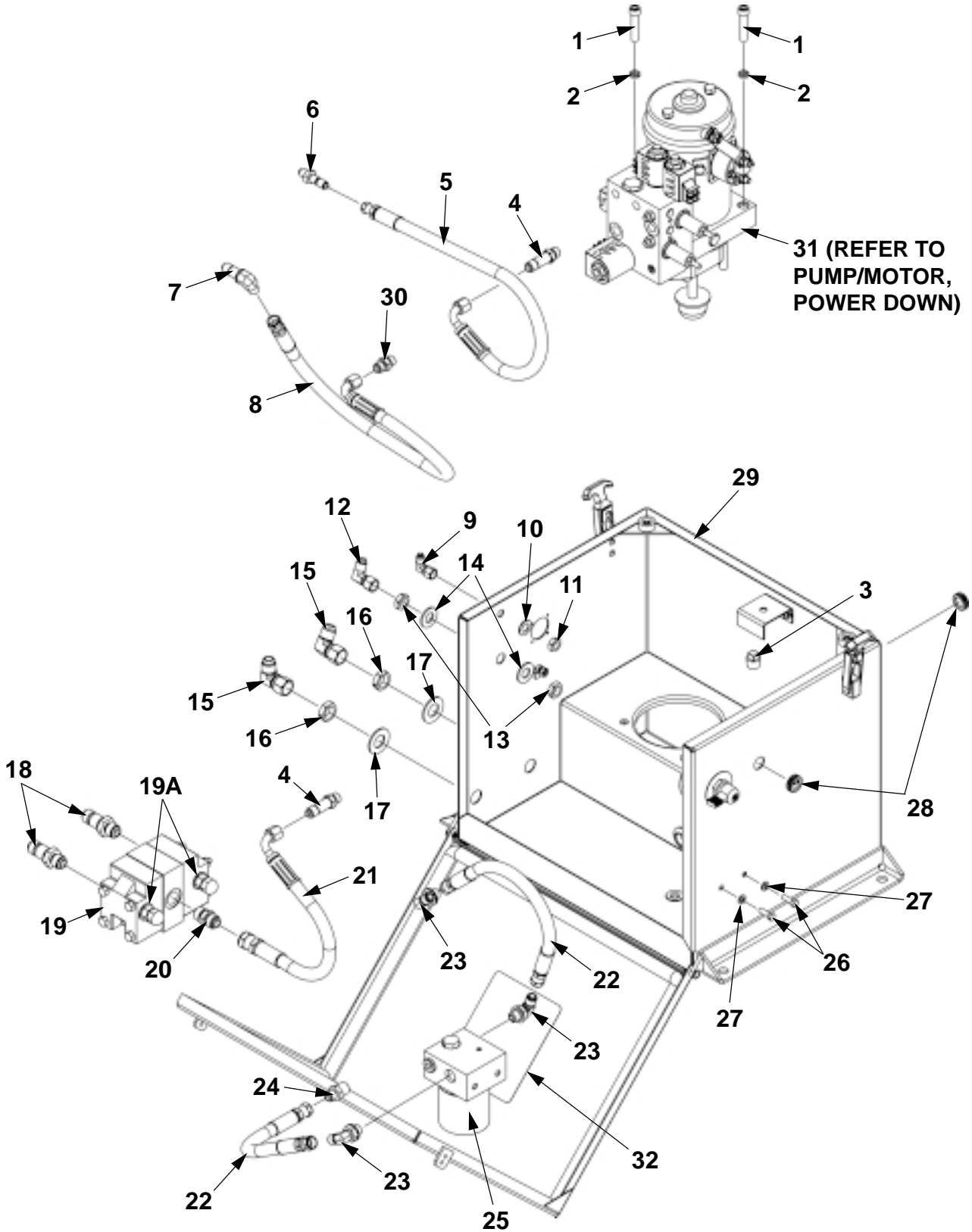
**MAXON** 11921 Slauson Ave. Santa Fe Springs, CA. 90670 (800) 227-4116 FAX (888) 771-7713

# SINGLE PUMP ASSEMBLY, POWER DOWN

## P/N 280240

**MAXON**<sup>®</sup>

11921 Slauson Ave. Santa Fe Springs, CA. 90670 (800) 227-4116 FAX (888) 771-7713



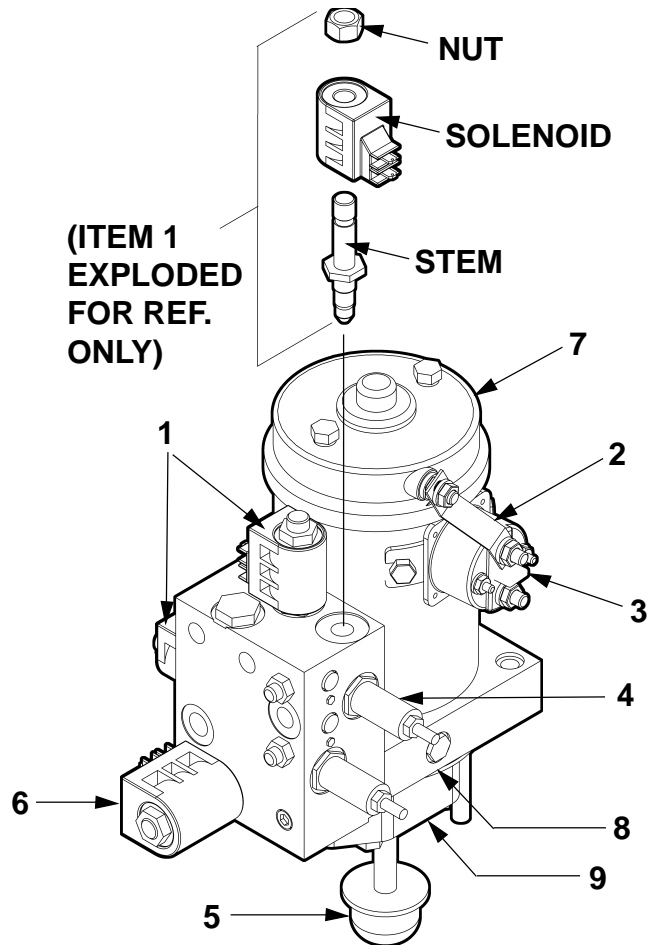


# SINGLE PUMP ASSEMBLY, POWER DOWN P/N 280240

ITEM	QTY.	PART NO.	DESCRIPTION
1	2	263951	CAP SCREW, 3/8"-16 x 1-3/4"
2	2	263952	LOCK WASHER, 3/8"
3	1	700729	PLUG, 3/8"
4	2	905214	FITTING, STR. THD., O-RING SAE #6 & JIC
5	1	264196	HOSE, 90°, 3/8" HP JIC #6
6	1	905096	STRAIGHT UNION JIC #4
7	1	905148	BULKHEAD UNION ELBOW SAE #6, JIC
8	1	263970	HOSE, 3/8" HP JIC #6 F-F 22"
9	1	905027	ELBOW JIC #4 M-F SW
10	1	902000-14	FLAT WASHER, 1/2" x 7/64"
11	1	905085	NUT, BULKHEAD JIC #4
12	1	905154	ELBOW, 90°, JIC #8-M x JIC #6-F
13	2	905086	NUT, BULKHEAD JIC #6
14	2	902010	FLAT WASHER, 9/16"
15	2	260120	ELBOW, 90°, JIC #8-M x JIC #8-F
16	2	261462	NUT, BLKHD, SAE 37° FLARE TWIN
17	2	902000-20	FLAT WASHER, .750" x .090" THK
18	2	261461	UNION, BULKHEAD, SAE 37° FLARE TWIN
19	1	253513	FLOW DIVIDER
19A	2	902024	WASHER, THREAD SEAL
20	1	253706	STR. UNION, O-RING, SAE #8-M JIC #8-M
21	1	263971	HOSE, 3/8" HP JIC #6 F-F x 17.57" LG
22	2	263967	HOSE, 3/8" HP JIC #6 F-F x 16.12" LG
23	3	905152	ELBOW, 90°, SAE #6 x JIC 37 #6
24	1	403071	CONNECTOR, 3/8" x 3/8" MALE
25	1	260920	SPIN-ON OIL FILTER
26	2	900004-2	CAP SCREW, 1/4-20 x 3/4"
27	2	902011-2	LOCK WASHER, 1/4" x 5/8"
28	2	261416	GROMMET, 3/4"
29	1	280241	SINGLE PUMP BOX ASSEMBLY
30	1	905153	FITTING, STR. THD. O-RING SAE #6 & JIC 6
31	1	264191	PUMP/MOTOR, POWER DOWN
32	1	265330-02	DECAL, P/D HYDRAULIC FLUID LEVEL

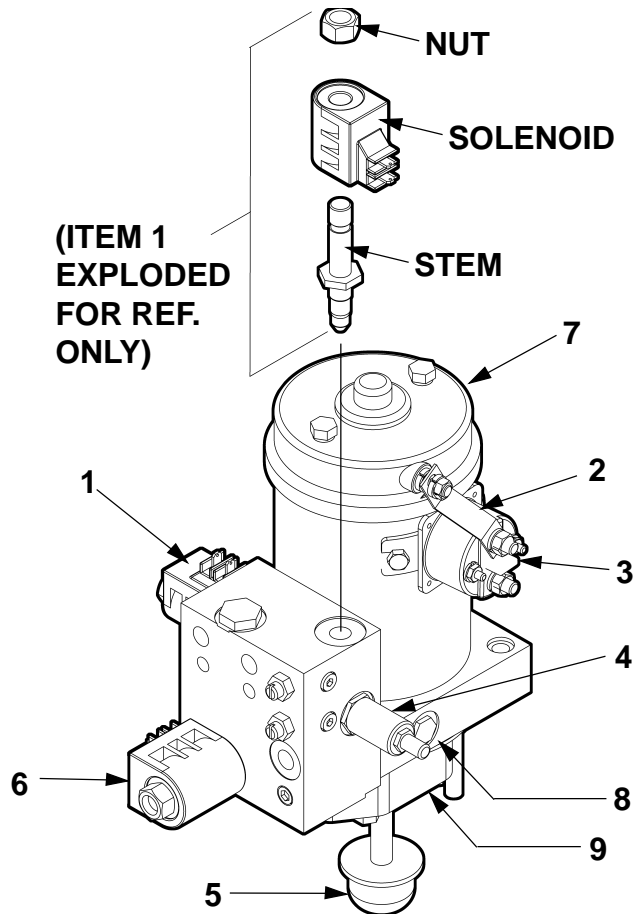
**MAXON**<sup>®</sup> 11921 Slauson Ave. Santa Fe Springs, CA. 90670 (800) 227-4116 FAX (888) 771-7713

# PUMP/MOTOR, POWER DOWN P/N 264191



ITEM	QTY.	PART NO.	DESCRIPTION
1	3	253353	VALVE, SOLENOID 2-WAY
1A	1	226594	O-RING KIT, 2-WAY VALVE
2	1	262966	BUS BAR
3	1	265662	STARTER SOLENOID, 12 VDC, 4-TERMINAL (MTE P/N 39002134)
		262939	STARTER SOLENOID, 12 VDC, 3-TERMINAL
4	2	905195	RELIEF VALVE
5	1	260250	FILTER
6	1	290019	VALVE, 2 POSITION, 3-WAY
6A	1	226595	O-RING KIT, 3-WAY VALVE
7	1	250093	MOTOR, 12 VDC
8	1	251884	O-RING
9	1	290003	GEAR PUMP

# PUMP/MOTOR, GRAVITY DOWN P/N 263785

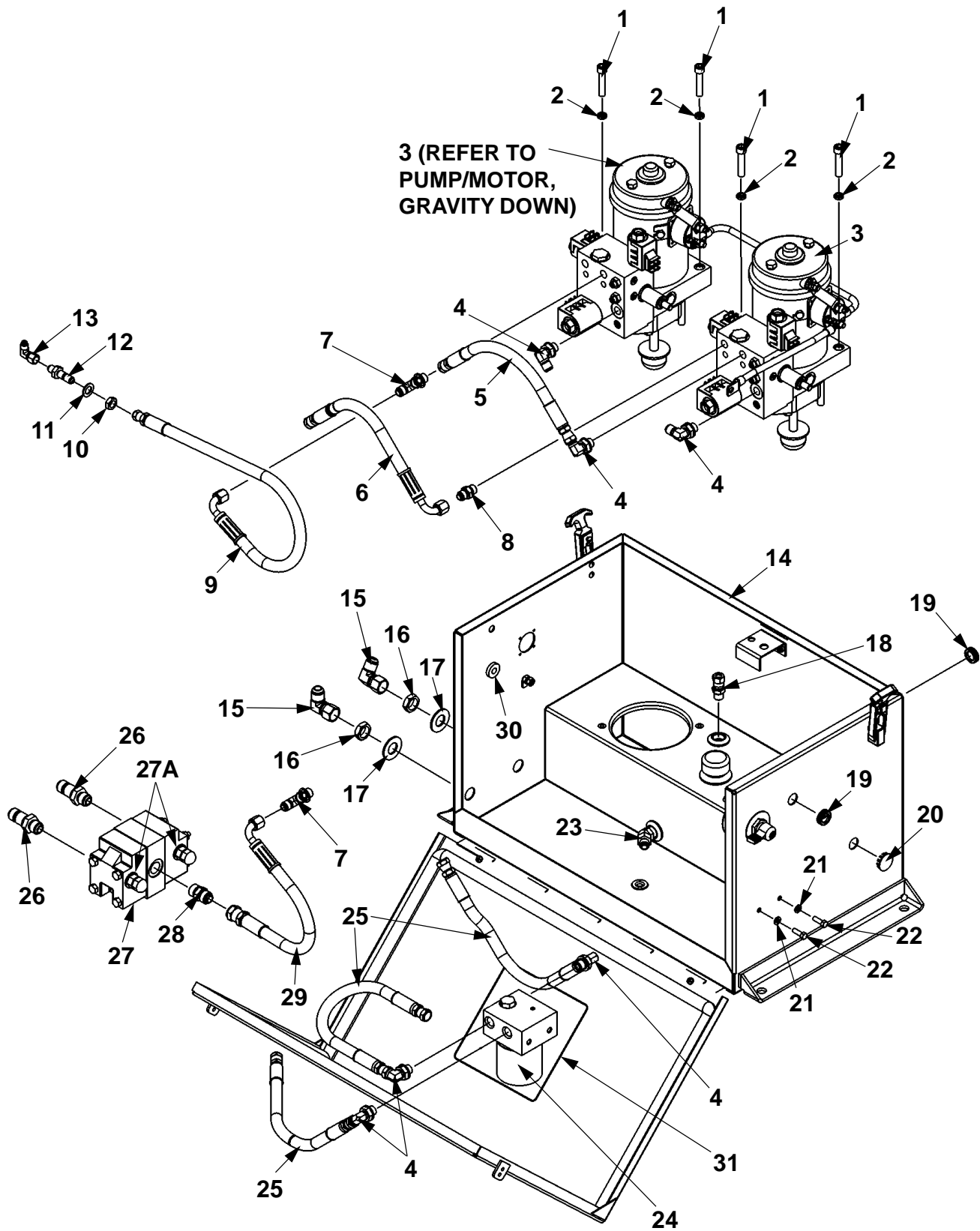


ITEM	QTY.	PART NO.	DESCRIPTION
1	2	253353	VALVE, SOLENOID 2-WAY
1A	1	226594	O-RING KIT, 2-WAY VALVE
2	1	262966	BUS BAR
3	1	265662	STARTER SOLENOID, 12 VDC, 4-POLE (MTE P/N 39002134)
		262939	STARTER SOLENOID, 12 VDC, 3-TERMINAL
4	1	905195	RELIEF VALVE
5	1	260250	FILTER
6	1	290019	VALVE, 2 POSITION, 3-WAY
6A	1	226595	O-RING KIT, 3-WAY VALVE
7	1	250093	MOTOR, 12 VDC
8	1	251884	O-RING
9	1	290003	GEAR PUMP

# DUAL PUMP ASSEMBLY, GRAVITY DOWN

**MAXON**<sup>®</sup>

11921 Slauson Ave. Santa Fe Springs, CA. 90670 (800) 227-4116 FAX (888) 771-7713



## DUAL PUMP ASSEMBLY, GRAVITY DOWN

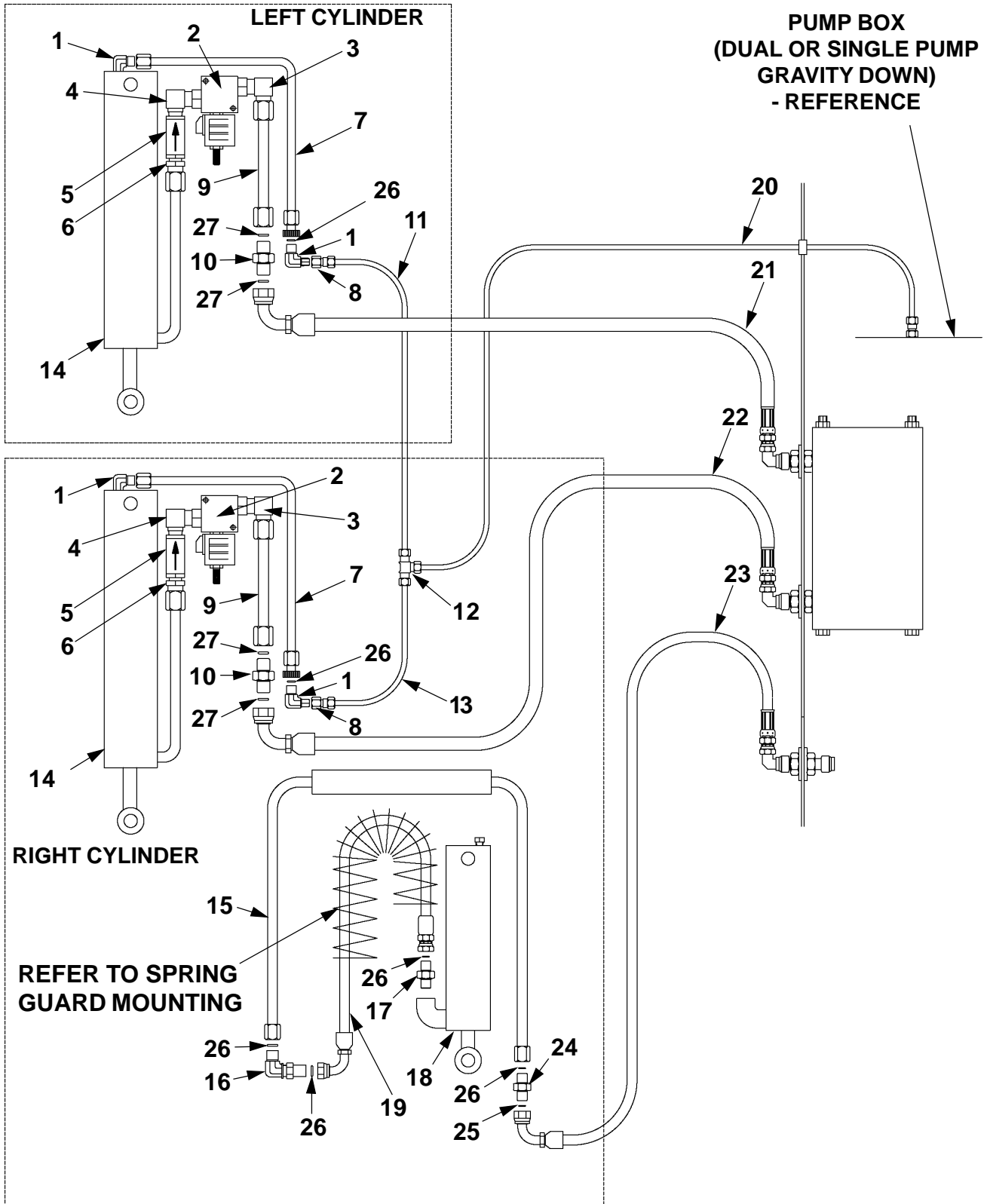
ITEM	QTY.	PART NO.	DESCRIPTION
1	4	263951	CAP SCREW, 3/8"-16 x 1-3/4"
2	4	263952	LOCK WASHER, 3/8"
3	2	263785	PUMP/MOTOR, GRAVITY DOWN
4	5	905152	ELBOW, 90°, SAE #6 x JIC 37 #6
5	1	264091	HOSE, 3/8" HP JIC #6 F-F 13.8"
6	1	263966	HOSE, 3/8" HP JIC #6 F-F x 14.4" LG.
7	2	264180	TEE, STRAIGHT THREAD, O-RING
8	1	905153	FITTING STR. THD. SAE #6 x JIC #6
9	1	264196	HOSE, 90°, 3/8" HP JIC #6
10	1	905085	NUT, BULKHEAD, JIC #4
11	1	902000-14	FLAT WASHER, 1/2" x 7/64"
12	1	905096	STRAIGHT UNION JIC #4
13	1	905027	ELBOW, JIC #4 M-F SW
14	1	264260	PUMP BOX ASSEMBLY
15	2	260120	ELBOW, 90°, JIC #8-M x JIC #8-F
16	2	261462	NUT, BULKHEAD, SAE 37° FLARE TWIN
17	2	030576	FLAT WASHER, 3/4" x 1-1/2"
18	1	202402	AIR FITTING
19	2	261416	GROMMET, 3/4"
20	1	263779	PLUG
21	2	902011-2	LOCK WASHER, 1/4" x 1/16" THK.
22	2	900004	HEX HEAD CAP SCREW, 1/4"-20 x 1/2"
23	1	905177	ELBOW, 45°, 3/8" NPT x 3/8" JIC
24	1	260920	SPIN-ON OIL FILTER
25	3	263967	HOSE, 3/8" HP JIC #6 F-F x 16.12" LG
26	2	261461	UNION, BULKHEAD, SAE 37° FLARE TWIN
27	1	253513	FLOW DIVIDER
27A	2	902024	WASHER, THREAD SEAL
28	1	253706	STRAIGHT UNION, SAE #8 x JIC #8 M-M
29	1	263971	HOSE, 3/8" HP JIC #6 F-F x 17.57" LG.
30	1	263981	GROMMET, 3/8"
31	1	265330-01	DECAL, G/D HYDRAULIC FLUID LEVEL

**MAXON** 11921 Slauson Ave. Santa Fe Springs, CA. 90670 (800) 227-4116 FAX (888) 771-7713

# HYDRAULIC COMPONENTS, GRAVITY DOWN

**MAXON**

11921 Slauson Ave. Santa Fe Springs, CA. 90670 (800) 227-4116 FAX (888) 771-7713



# HYDRAULIC COMPONENTS, GRAVITY DOWN

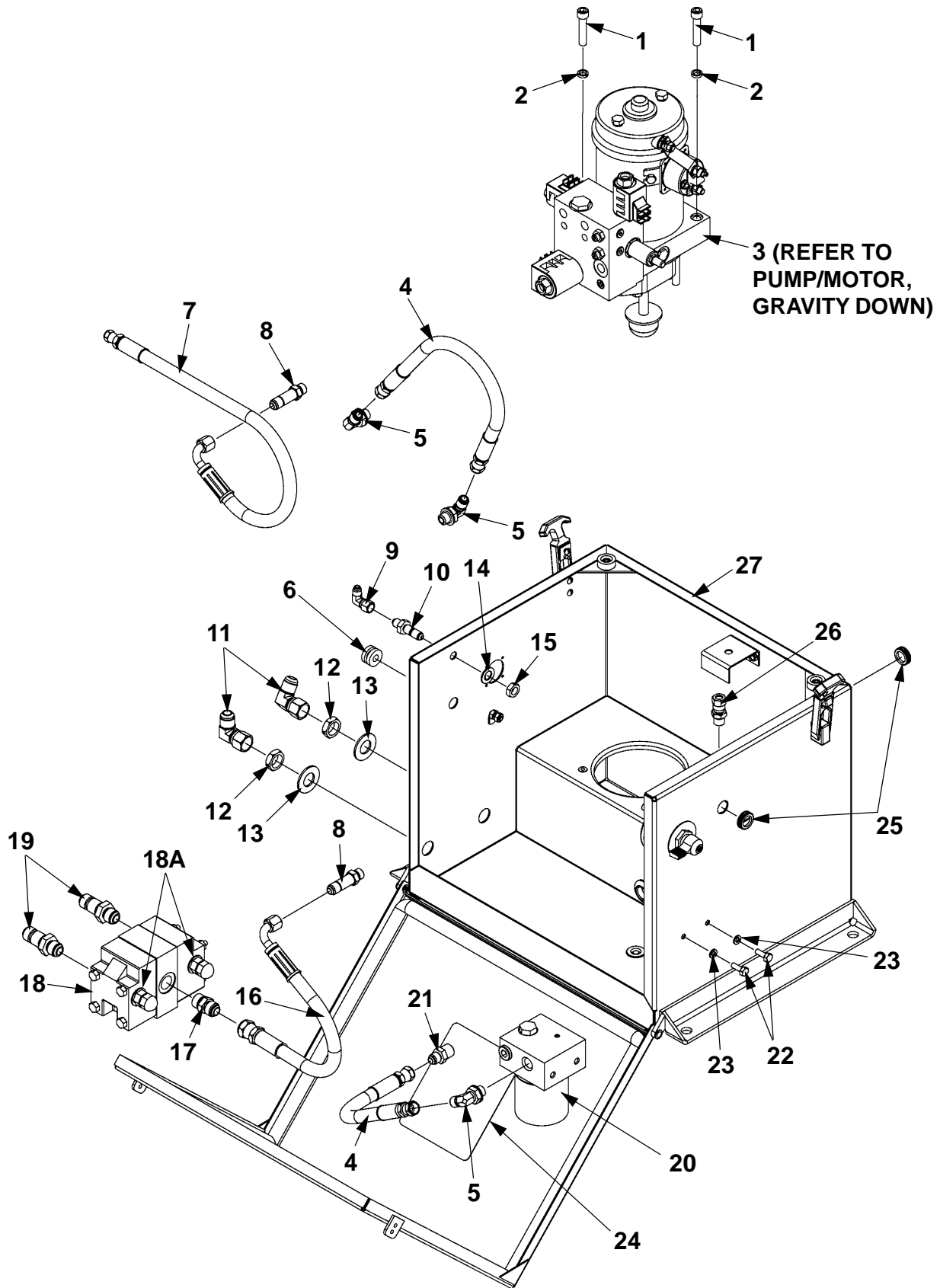
ITEM	QTY.	PART NO.	DESCRIPTION
1	4	905157	ELBOW, 3/8" x 1/4" M-M
2	2	253942	HYD. LOCK VALVE
3	2	905158	ELBOW STRAIGHT, #8 x #6 M-M
4	2	260164	ELBOW, 90° STRAIGHT, #6 x 1/4" M-M
5	2	253745	VALVE PRESSURE COMP.
6	2	905176	STRAIGHT CONNECTOR, #8 x #4 M-M
7	2	264027	"L" TUBE ASSEMBLY, 98" x 5"
8	2	905156	AIR BRAKE CONNECTOR
9	2	264026	TUBE ASSEMBLY, 96" LG
10	2	905161	UNION, #8 M-M
11	1	099996-02	TUBING, 84" LG
12	1	905155	TEE, 3/8"
13	1	099996-01	TUBING, 60" LG
14	2	263200-01	CYLINDER (FOR 35 & 44 BMR-A)
		253315-01	CYLINDER (FOR 55 & 66 BMR-A)
14A	1	280524	SEAL KIT, CYL. (FOR 35 & 44 BMR-A)
		280523	SEAL KIT, CYL. (FOR 55 & 66 BMR-A)
15	1	263997	"U" TUBE ASSEMBLY, 98" x 11"
16	1	905162	ELBOW, BULKHEAD UNION, #6 M-M
17	1	905179	CONNECTOR, #4 x #6 M-M
18	1	264103	CLOSING CYLINDER
18A	1	280528	SEAL KIT, CYLINDER
19	1	264109	HOSE ASSEMBLY HP, 46"
20	1	099996-02	TUBING, 84" LG
		099996-03	TUBING, 192" LG
		099996-08	TUBING, 324" LG
21	1	280223-02	HOSE ASSEMBLY HP, 166"
		280223-04	HOSE ASSEMBLY HP, 274"
		280223-06	HOSE ASSEMBLY HP, 394"
22	1	280223-01	HOSE ASSEMBLY HP, 64"
		280223-03	HOSE ASSEMBLY HP, 196"
		280223-05	HOSE ASSEMBLY HP, 316"
23	1	280232-01	HOSE ASSEMBLY HP, 56"
		280232-02	HOSE ASSEMBLY HP, 188"
		280232-03	HOSE ASSEMBLY HP, 308"
24	1	905180	UNION, FACE SEAL, #6-#4, 1/4"M-3/8"M
25	1	906712-01	O-RING, #4 (1/4" FACE SEAL TUBE-END)
26	1	906712-02	O-RING, #6 (3/8" FACE SEAL TUBE-END)
27	1	906712-03	O-RING, #8 (1/2" FACE SEAL TUBE-END)

**MAXON**<sup>®</sup> 11921 Slauson Ave. Santa Fe Springs, CA. 90670 (800) 227-4116 FAX (888) 771-7713

# SINGLE PUMP ASSEMBLY, GRAVITY DOWN P/N 280230

**MAXON**<sup>®</sup>

11921 Slauson Ave. Santa Fe Springs, CA. 90670 (800) 227-4116 FAX (888) 771-7713





# SINGLE PUMP ASSEMBLY, GRAVITY DOWN P/N 280230

ITEM	QTY.	PART NO.	DESCRIPTION
1	2	263951	CAP SCREW, 3/8"-16 x 1-3/4"
2	2	263952	LOCK WASHER, 3/8"
3	1	263785	PUMP/MOTOR, GRAVITY DOWN
4	2	263967	HOSE, 3/8" HP JIC #6 F-F x 16.12" LG
5	3	905152	ELBOW, 90°, SAE #6 x JIC 37 #6
6	1	263981	GROMMET, 3/8"
7	1	264196	HOSE, 90°, 3/8" HP JIC #6
8	2	905214	FITTING, STR. THD., O-RING SAE #6 & JIC
9	1	905027	ELBOW, JIC #4 M-F SW
10	1	905096	STRAIGHT UNION JIC #4
11	2	260120	ELBOW, 90°, JIC #8-M x JIC #8-F
12	2	261462	NUT, BULKHEAD, SAE 37° FLARE TWIN
13	2	902000-20	FLAT WASHER, .750" x .090" THK
14	1	902000-14	FLAT WASHER, 1/2" x 7/64"
15	1	905085	NUT, BULKHEAD, JIC #4
16	1	263971	HOSE, 3/8" HP JIC #6 F-F x 17.57" LG.
17	1	253706	STRAIGHT UNION, SAE #8-M JIC #8-M
18	1	253513	FLOW DIVIDER
18A	2	902024	WASHER, THREAD SEAL
19	2	261461	UNION, BULKHEAD, SAE 37° FLARE TWIN
20	1	260920	SPIN-ON OIL FILTER
21	1	403071	CONNECTOR, 3/8" x 3/8" MALE
22	2	900004-2	HEX HEAD CAP SCREW, 1/4"-20 x 3/4"
23	2	902011-2	LOCK WASHER, 1/4" x 5/8"
24	1	265330-01	DECAL, G/D HYDRAULIC FLUID LEVEL
25	2	261416	GROMMET, 3/4"
26	1	202402	AIR FITTING
27	1	280241	SINGLE PUMP BOX ASSEMBLY

**MAXON** 11921 Slauson Ave. Santa Fe Springs, CA. 90670 (800) 227-4116 FAX (888) 771-7713

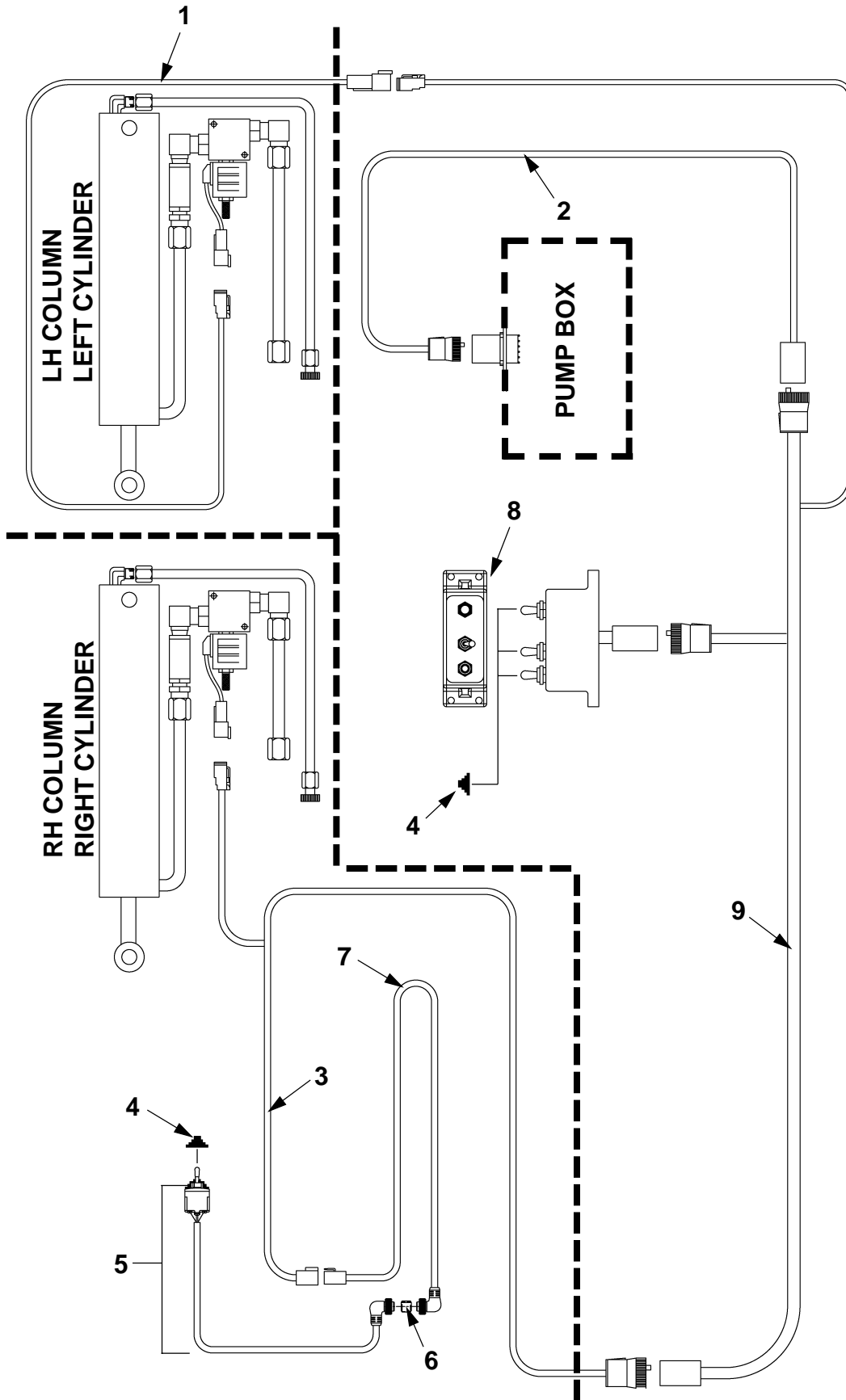
**MAXON**<sup>®</sup>

11921 Slauson Ave. Santa Fe Springs, CA. 90670 (800) 227-4116 FAX (888) 771-7713

**THIS PAGE INTENTIONALLY LEFT BLANK**

# ELECTRICAL COMPONENTS SECTION

# ELECTRICAL COMPONENTS



# ELECTRICAL COMPONENTS

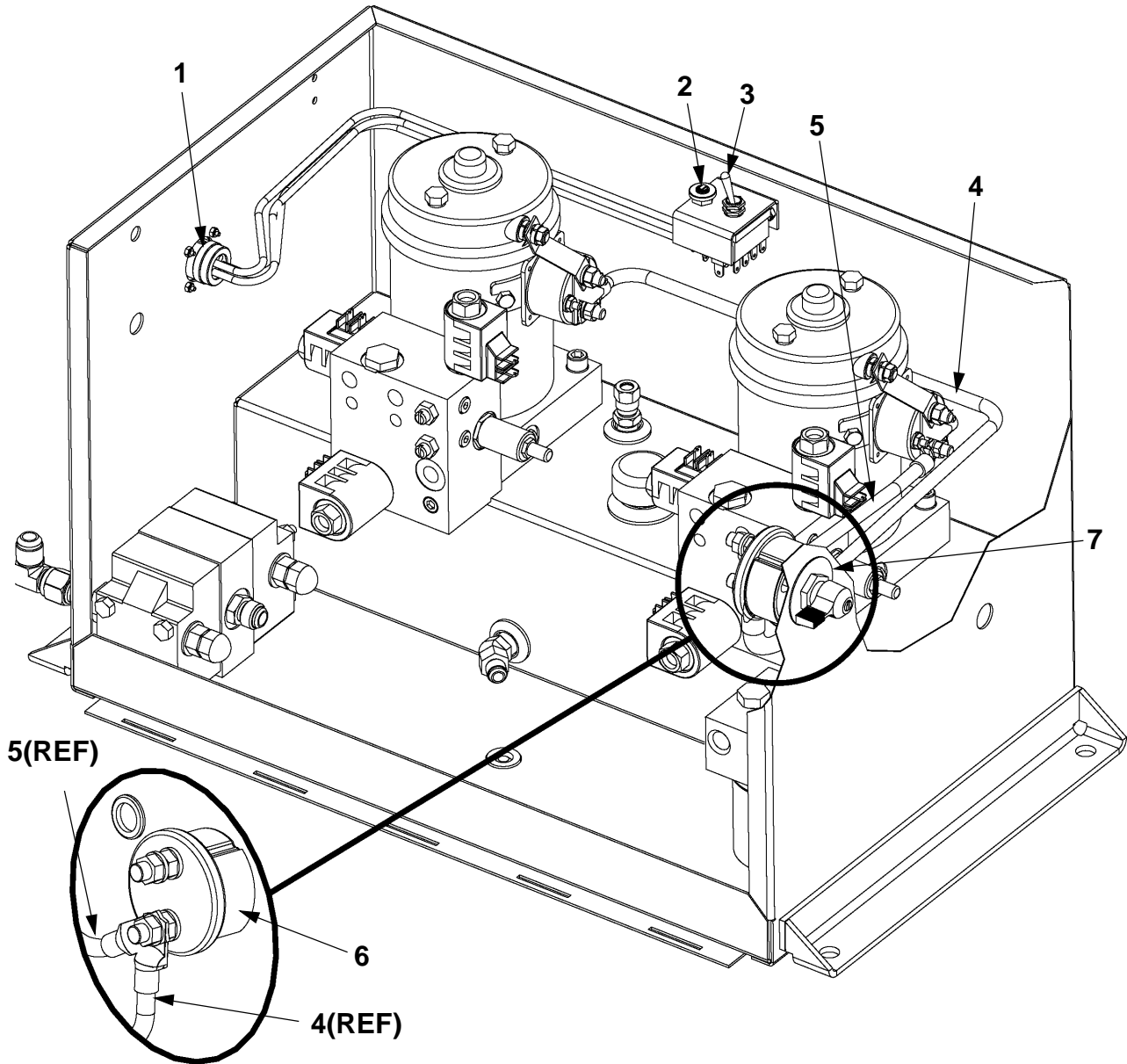
ITEM	QTY.	PART NO.	DESCRIPTION
1	1	263733	HARNESS ASSEMBLY, "D" VALVE (LH COLUMN)
2	1	263726-04	EXTENSION HARNESS, PUMP BOX, 264" LG
		263726-01	EXTENSION HARNESS, PUMP BOX, 144" LG
		263726-03	EXTENSION HARNESS, PUMP BOX, 60" LG
3	1	263725	HARNESS ASSEMBLY (RH COLUMN)
4	4	905206	SWITCH SEAL BOOT, HALF-TOGGLE
5	1	260529	SWITCH & CABLE ASSEMBLY, BMR
6	1	253793	ADAPTER, ALUMINUM JOIN
7	1	263751	CABLE ASSEMBLY FLEXIBLE
8	1	280253	CONTROL BOX BMR-A POWER DOWN
		280252	CONTROL BOX BMR-A GRAVITY DOWN
9	1	280285	INTERCONNECT HARNESS, BMR-A GRAVITY DOWN
		280286	INTERCONNECT HARNESS, BMR-A POWER DOWN

**MAXON**<sup>®</sup> 11921 Slauson Ave. Santa Fe Springs, CA. 90670 (800) 227-4116 FAX (888) 771-7713

# ELECTRICAL COMPONENTS - DUAL PUMP BOX

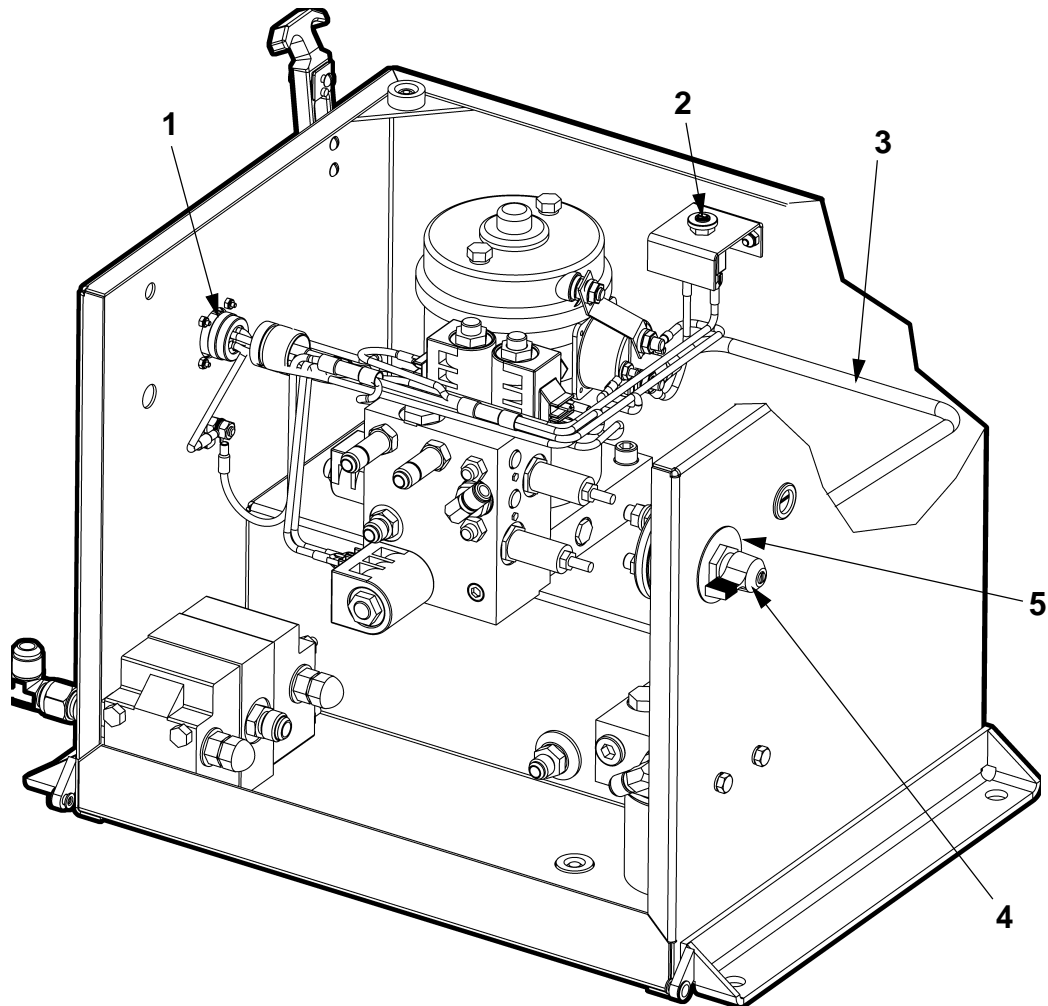
**MAXON**

11921 Slauson Ave. Santa Fe Springs, CA. 90670 (800) 227-4116 FAX (888) 771-7713



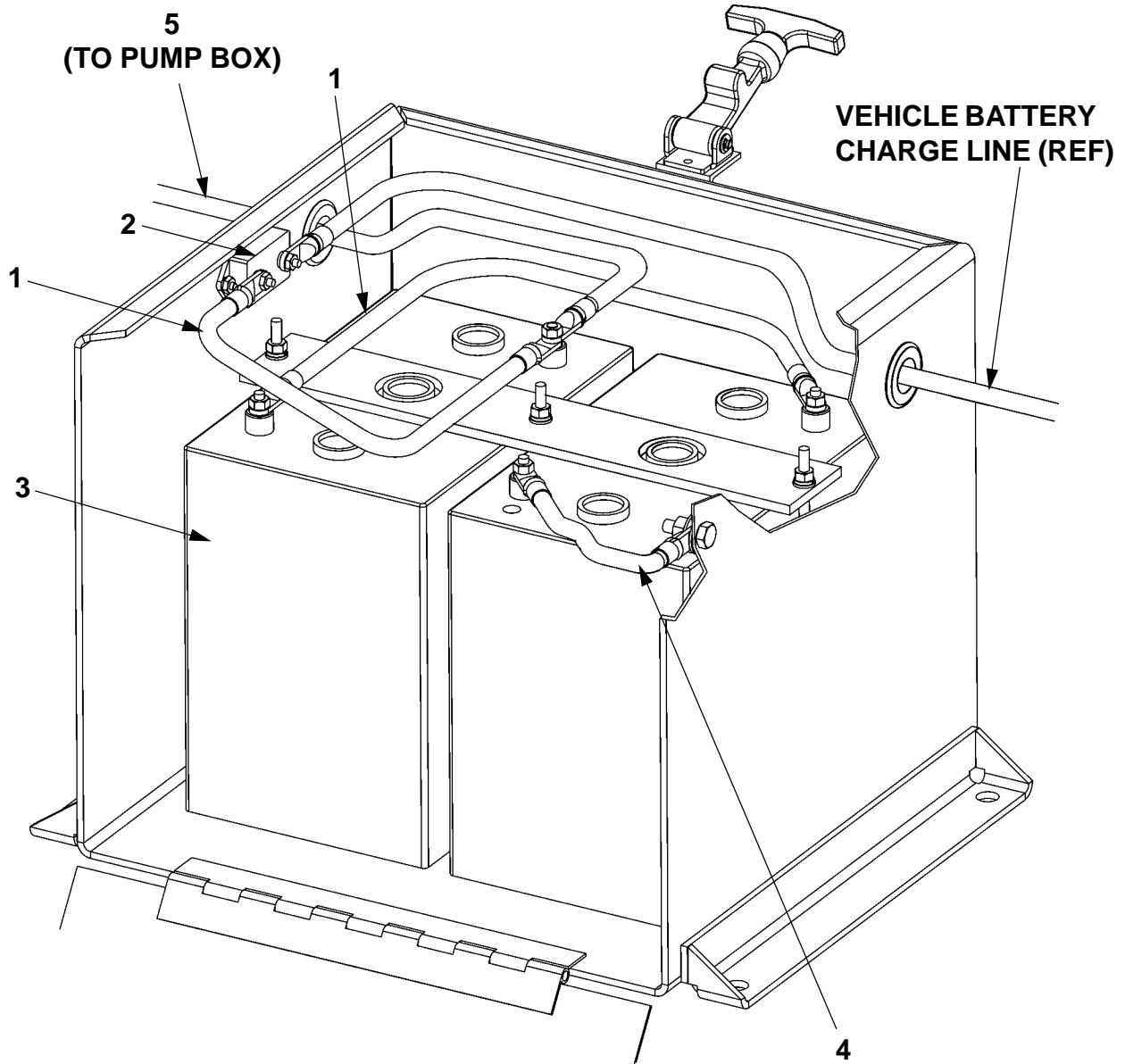
ITEM	QTY.	PART NO.	DESCRIPTION
1	1	280235	SOLENOID HARNESS, GRAVITY DOWN
		264255	SOLENOID HARNESS, POWER DOWN
2	1	264179	CIRCUIT BREAKER
3	1	264163	TOGGLE SWITCH, 2 POSITION
4	1	251871-20	CABLE ASSEMBLY
5	1	251871-14	CABLE ASSEMBLY
6	1	228754	SWITCH, MASTER DISCONNECT
7	1	228755	PLATE, SWITCH FACE

# ELECTRICAL COMPONENTS - SINGLE PUMP BOX



ITEM	QTY.	PART NO.	DESCRIPTION
1	1	280225	SOLENOID HARNESS, GRAVITY DOWN
		280242	SOLENOID HARNESS, POWER DOWN
2	1	264179	CIRCUIT BREAKER
3	1	251871-12	CABLE ASSEMBLY
4	1	228754	SWITCH, MASTER DISCONNECT
5	1	228755	PLATE, SWITCH FACE

# ELECTRICAL COMPONENTS - BATTERY BOX



ITEM	QTY.	PART NO.	DESCRIPTION
1	2	251871-05	CABLE ASSEMBLY
2	1	221736	CIRCUIT BREAKER 150 AMP
3	2	250934	BATTERY, 6V HEAVY DUTY
4	1	251871-14	CABLE ASSEMBLY
5	1	251871-11	CABLE ASSEMBLY

**MAXON**<sup>®</sup> 11921 Slauson Ave. Santa Fe Springs, CA. 90670 (800) 227-4116 FAX (888) 771-7713