

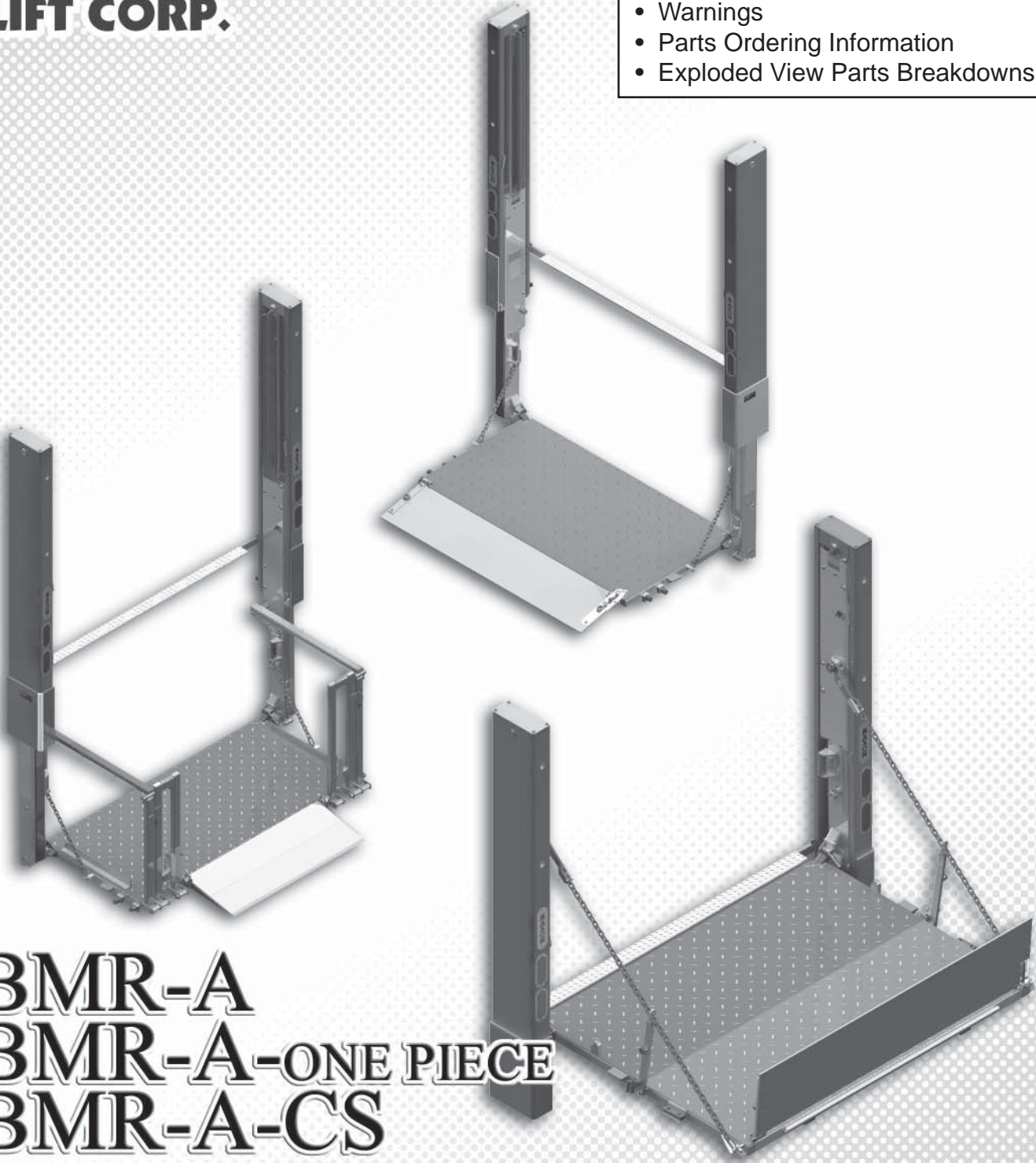
M-02-23
REV. C
JULY 2009

MAXON[®]

LIFT CORP.

Parts Manual Contains:

- Warranty Information
- Warnings
- Parts Ordering Information
- Exploded View Parts Breakdowns



BMR-A BMR-A-ONE PIECE BMR-A-CS PARTS MANUAL

MAXON[®]

LIFT CORP.

11921 Slauson Ave.
Santa Fe Springs, CA. 90670

CUSTOMER SERVICE:

TELEPHONE (562) 464-0099 TOLL FREE (800) 227-4116

FAX: (888) 771-7713

NOTE: For latest version of all Manuals (and replacements), download the Manuals from Maxon's website at www.maxonlift.com.

WARRANTY/ RMA POLICY & PROCEDURE

LIFTGATE WARRANTY

Type of Warranty: Full Parts and Labor

Term of Warranty: Standard Liftgates - 2 years from ship date or 6,000 cycles
Premium Liftgates - 2 years from ship date or 10,000 cycles

This warranty shall not apply unless the product is installed, operated and maintained in accordance with MAXON Lift's specifications as set forth in MAXON Lift's Installation, Operation and Maintenance manuals. This warranty does not cover normal wear, maintenance or adjustments, damage or malfunction caused by improper handling, installation, abuse, misuse, negligence, or carelessness of operation. In addition, this warranty does not cover equipment that has had unauthorized modifications or alterations made to the product.

MAXON agrees to replace any components which are found to be defective during the first 2 years of service, and will reimburse for labor based on MAXON's Liftgate Warranty Flat Rate Schedule. (Copy of the Flat Rate is available at www.maxonlift.com.)

All warranty repairs must be performed by an authorized MAXON warranty facility. For any repairs that may exceed \$500, including parts and labor, MAXON's Technical Service Department must be notified and an "Authorization Number" obtained.

All claims for warranty must be received within 30 Days of the repair date, and include the following information:

1. Liftgate Model Number and Serial Number
2. The End User must be referenced on the claim
3. Detailed Description of Problem
4. Corrective Action Taken, and Date of Repair
5. Parts used for Repair, Including MAXON Part Number(s)
6. MAXON R.M.A. # and/or Authorization # if applicable (see below)
7. Person contacted at MAXON if applicable
8. Claim must show detailed information i.e. Labor rate and hours of work performed

Warranty claims can also be placed online at www.maxonlift.com. Online claims will be given priority processing.

All claims for warranty will be denied if paperwork has not been received or claim submitted via Maxon website for processing by MAXON's Warranty Department within 30 days of repair date.

All components may be subject to return for inspection, prior to the claim being processed. MAXON products may not be returned without prior written approval from MAXON's Technical Service Department. Returns must be accompanied by a copy of the original invoice or reference with original invoice number and are subject to a credit deduction to cover handling charges and any necessary reconditioning costs. **Unauthorized returns will be refused and will become the responsibility of the returnee.**

Any goods being returned to MAXON Lift must be pre-approved for return, and have the R.M.A. number written on the outside of the package in plain view, and returned freight prepaid. All returns are subject to a 15% handling charge if not accompanied by a detailed packing list. Returned parts are subject to no credit and returned back to the customer. Defective parts requested for return must be returned within 30 days of the claim date for consideration to:

MAXON Lift Corp.
10321 Greenleaf Ave., Santa Fe Springs, CA 90670
Attn: RMA# _____

MAXON's warranty policy does not include the reimbursement for travel time, towing, vehicle rental, service calls, oil, batteries or loss of income due to downtime. Fabrication or use of non Maxon parts, which are available from MAXON, are also not covered.

MAXON's Flat Rate Labor Schedule takes into consideration the time required for diagnosis of a problem.

All Liftgates returned are subject to inspection and a 15% restocking fee. Any returned Liftgates or components that have been installed or not returned in new condition will be subject to an additional reworking charge, which will be based upon the labor and material cost required to return the Liftgate or component to new condition.

PURCHASE PART WARRANTY

Term of Warranty: 1 Year from Date of Purchase.

Type of Warranty: Part replacement only. MAXON will guarantee all returned genuine MAXON replacement parts upon receipt and inspection of parts and original invoice.

All warranty replacements parts will be sent out via ground freight. If a rush shipment is requested, all freight charges will be billed to the requesting party.

TABLE OF CONTENTS

WARNINGS	7
ORDERING PARTS	7
BMR-A LIFTGATE SECTION	9
BMR-A LIFTGATE (WITH TAILLIGHTS & WITHOUT TAILLIGHTS)	9
MAIN FRAME & ATTACHING HARDWARE (BMR-A) - STEEL PLATFORM.....	10
MAIN FRAME & ATTACHING HARDWARE (BMR-A) - ALUMINUM PLATFORM	12
RH COLUMN ASSEMBLY (WITH TAILLIGHTS)	14
RH COLUMN ASSEMBLY (WITHOUT TAILLIGHTS)	16
RH RUNNER ASSEMBLY (BMR-A)	18
SPRING GUARD MOUNTING	20
UPPER TANDEM ASSEMBLY, RH RUNNER	21
TANDEM ASSEMBLY (LOWER)	22
LH COLUMN ASSEMBLY (WITH TAILLIGHTS).....	24
LH COLUMN ASSEMBLY (WITHOUT TAILLIGHTS)	26
LH RUNNER ASSEMBLY (BMR-A).....	28
UPPER TANDEM ASSEMBLY, LH RUNNER.....	30
PLATFORM, FLIPOVER, AND CHAIN ASSEMBLY (STEEL)	32
PLATFORM ASSEMBLY (STEEL).....	34
ALUMINUM RETENTION RAMP ASSEMBLY (USE WITH STEEL PLATFORM).....	36
LH CHAIN ASSEMBLY (FOR STEEL PLATFORM)	38
RH CHAIN ASSEMBLY (FOR STEEL PLATFORM).....	39
PLATFORM, FLIPOVER, AND CHAIN ASSEMBLY - 1 (ALUMINUM)	40
PLATFORM, FLIPOVER, AND CHAIN ASSEMBLY - 2 (ALUMINUM)	42
PLATFORM ASSEMBLY (ALUMINUM).....	44
FLIPOVER ASSEMBLY (ALUMINUM)	45

FLIPOVER ASSEMBLY W/FIXED RAMP (ALUMINUM)	46
ALUMINUM RETENTION RAMP ASSEMBLY (FOR ALUMINUM PLATFORM)	48
LH CHAIN ASSEMBLY (FOR ALUMINUM PLATFORM).....	50
RH CHAIN ASSEMBLY (FOR ALUMINUM PLATFORM)	51
BMR-A-CS & ONE PIECE LIFTGATE SECTION	52
BMR-A-CS LIFTGATE	52
BMR-A-ONE PIECE LIFTGATE	53
MAIN FRAME & ATTACHING HARDWARE (BMR-A-CS & ONE PIECE PLATFORM) - STEEL PLATFORM	54
MAIN FRAME & ATTACHING HARDWARE (BMR-A-CS & ONE PIECE PLATFORM) - ALUMINUM PLATFORM	56
RH COLUMN ASSEMBLY (BMR-A-CS & ONE PIECE).....	58
RH RUNNER ASSEMBLY (BMR-A-CS & ONE PIECE)	60
SPRING GUARD MOUNTING	62
UPPER TANDEM ASSEMBLY, RH RUNNER	63
TANDEM ASSEMBLY (LOWER)	64
LH COLUMN ASSEMBLY (BMR-A-CS & ONE PIECE)	66
LH RUNNER ASSEMBLY (BMR-A-CS & ONE PIECE)	68
UPPER TANDEM ASSEMBLY, LH RUNNER.....	70
CS PLATFORM ASSEMBLY (STEEL).....	72
ONE PIECE STEEL PLATFORM ASSEMBLY	76
STEEL PLATFORM AND ALUMINUM RETENTION RAMP ASSEMBLY.....	78
ALUMINUM RETENTION RAMP ASSEMBLY (USED WITH STEEL PLATFORM)	80
ONE PIECE ALUMINUM PLATFORM ASSEMBLY (42" DEEP)	82
ONE PIECE ALUMINUM PLATFORM ASSEMBLY (48" DEEP)	84

TABLE OF CONTENTS - Continued

ALUMINUM RETENTION RAMP ASSEMBLY (USED WITH ALUMINUM PLATFORM)	86
HYDRAULIC COMPONENTS.....	88
DUAL PUMP ASSEMBLY (POWER DOWN)	88
SINGLE PUMP ASSEMBLY (POWER DOWN).....	92
PUMP/MOTOR (POWER DOWN)	94
HYDRAULIC COMPONENTS (POWER DOWN).....	96
DUAL PUMP ASSEMBLY (GRAVITY DOWN).....	100
SINGLE PUMP ASSEMBLY (GRAVITY DOWN).....	102
PUMP/MOTOR (GRAVITY DOWN).....	104
DUAL PUMP ASSEMBLY (EQUIPPED WITH STEEL LINES)	106
SINGLE PUMP ASSEMBLY (EQUIPPED WITH STEEL LINES)	110
PUMP/MOTOR (PUMPS EQUIPPED WITH STEEL LINES)	114
MANIFOLD ASSEMBLY (PUMPS WITH STEEL LINES, ONLY)	116
HYDRAULIC COMPONENTS (GRAVITY DOWN).....	118
ELECTRICAL COMPONENTS SECTION	122
ELECTRICAL COMPONENTS - DUAL PUMP BOX	124
ELECTRICAL COMPONENTS - SINGLE PUMP BOX	125
ELECTRICAL COMPONENTS - DUAL PUMP BOX (EQUIPPED WITH STEEL LINES).....	126
ELECTRICAL COMPONENTS - SINGLE PUMP BOX (EQUIPPED WITH STEEL LINES).....	127
ELECTRICAL COMPONENTS - BATTERY BOX.....	128
BATTERY BOX.....	129

Comply with the following **WARNINGS** while maintaining Liftgates.

WARNING

- Read and understand the instructions in **Maintenance Manuals** before performing maintenance on the Liftgate.
- **Disconnect Liftgate power cable from battery** before repairing or servicing Liftgate.
- Wear appropriate safety equipment such as protective eyeglasses, faceshield and clothing while performing maintenance on the Liftgate and handling the battery. Debris from drilling and contact with battery acid may injure unprotected eyes and skin.
- Be careful working by an automotive type battery. Make sure the work area is well ventilated and there are no flames or sparks near the battery. Never lay objects on the battery that can short the terminals together. If battery acid gets in your eyes, immediately seek first aid. If acid gets on your skin, immediately wash it off with soap and water.
- Never perform unauthorized modifications on the Liftgate. Modifications may result in early failure of the Liftgate and may create hazards for Liftgate operators and maintainers.
- Recommended practices for welding on steel parts are contained in the current **AWS (American Welding Society) D1.1 Structural Welding Code - Steel**. Damage to Liftgate and/or vehicle, and personal injury can result from welds that are done incorrectly.
- Recommended practices for welding on aluminum parts are contained in the current **AWS (American Welding Society) D2.1 Structural Welding Code - Aluminum**. Damage to Liftgate and/or vehicle, and personal injury can result from welds that are done incorrectly.

ORDERING PARTS

- Use only **Maxon Authorized Parts** for replacement parts. Order replacement parts from:
MAXON LIFT CORP. Customer Service
11921 Slauson Ave., Santa Fe Springs, CA 90670
Phone: (800) 227-4116
- To order parts by e-mail, submit orders to **cservice@maxonlift.com**.
- Provide Liftgate model and serial number information with your parts order.
- Need Technical Support? Send requests by e-mail to **technicalsupport@maxonlift.com**.
- For latest version Manuals (and replacements), download Manuals from Maxon's website at **www.maxonlift.com**.

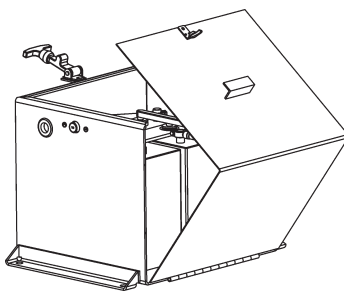
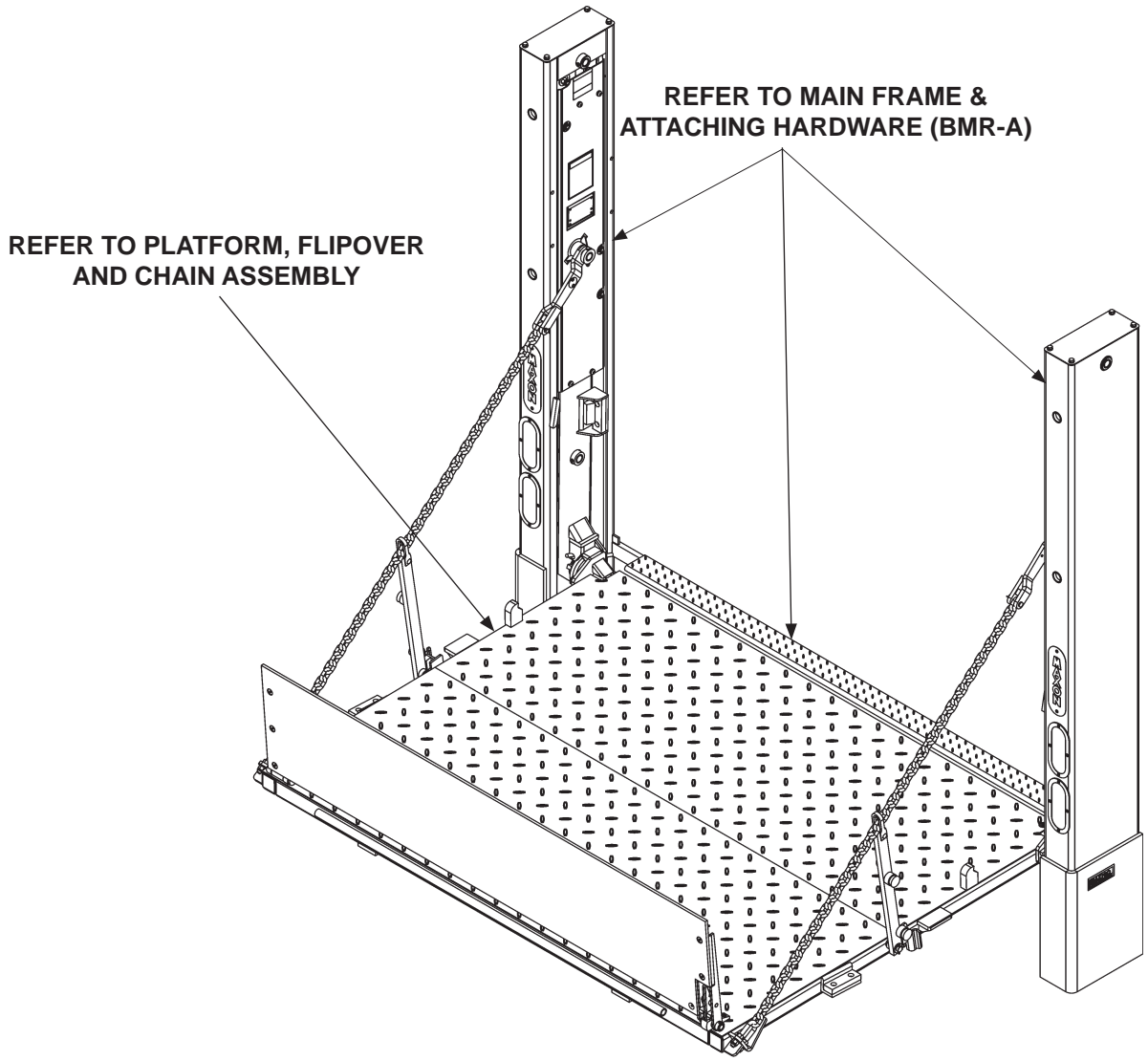
MAXON[®]

11921 Slauson Ave. Santa Fe Springs, CA. 90670 (800) 227-4116 FAX (888) 771-7713

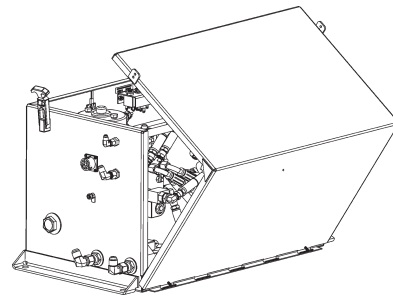
THIS PAGE INTENTIONALLY LEFT BLANK

BMR-A LIFTGATE SECTION

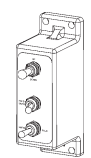
BMR-A LIFTGATE (WITH TAILLIGHTS & WITHOUT TAILLIGHTS)



BATTERY BOX
(REFER TO ELECTRICAL
COMPONENTS)



PUMP BOX
(REFER TO HYDRAULIC
COMPONENTS)

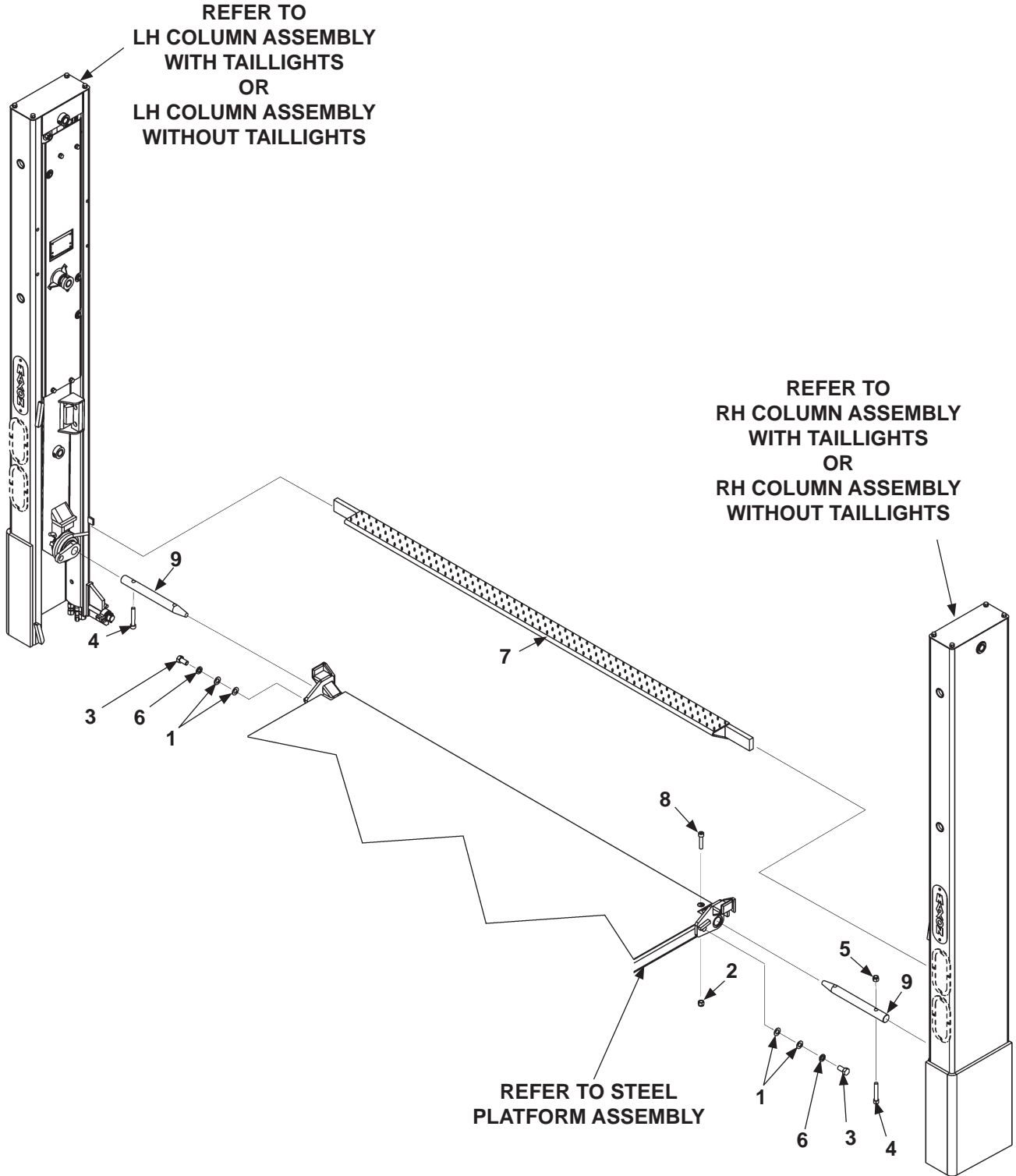


CONTROL SWITCH
(REFER TO ELECTRICAL
COMPONENTS)

MAXON 11921 Slauson Ave. Santa Fe Springs, CA. 90670 (800) 227-4116 FAX (888) 771-7713

MAIN FRAME & ATTACHING HARDWARE (BMR-A) - STEEL PLATFORM

MAXON® 11921 Slauson Ave. Santa Fe Springs, CA. 90670 (800) 227-4116 FAX (888) 771-7713

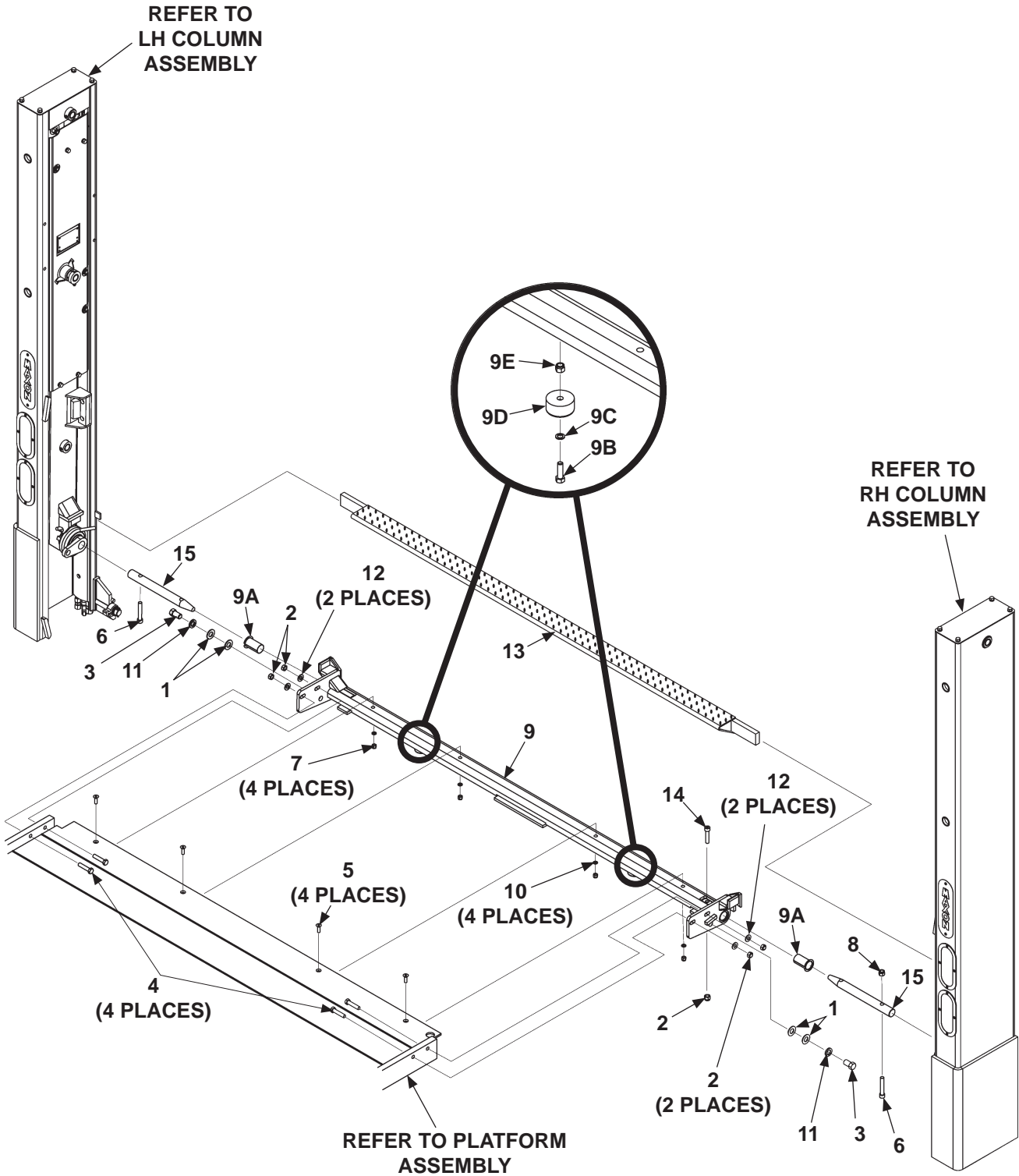


ITEM	QTY.	PART NO.	DESCRIPTION
1	4	902000-20	FLAT WASHER, 3/4"
2	1	040066	LOCK NUT, 1/2"-13
3	2	260181	BOLT, 3/4"-10 X 1-1/4" LG.
4	2	900037-11	SOCKET HEAD CAP SCREW, 1/2"-13 X 2-1/4" LG, GRADE 8
5	1	901008	NYLON LOCK NUT, 1/2"-20
6	2	902011-9	LOCK WASHER, 3/4"
7	1	280340-01	EXTENSION PLATE, 96" UNIT
		280340-02	EXTENSION PLATE, 102" UNIT
8	1	900036-10	SOCKET HEAD CAP SCREW, 1/2"-20 X 3" LG, GRADE 8
9	2	280103	PIN, 13" LG, STAINLESS STEEL

MAXON[®] 11921 Slauson Ave. Santa Fe Springs, CA. 90670 (800) 227-4116 FAX (888) 771-7713

MAIN FRAME & ATTACHING HARDWARE (BMR-A) - ALUMINUM PLATFORM

MAXON® 11921 Slauson Ave. Santa Fe Springs, CA. 90670 (800) 227-4116 FAX (888) 771-7713

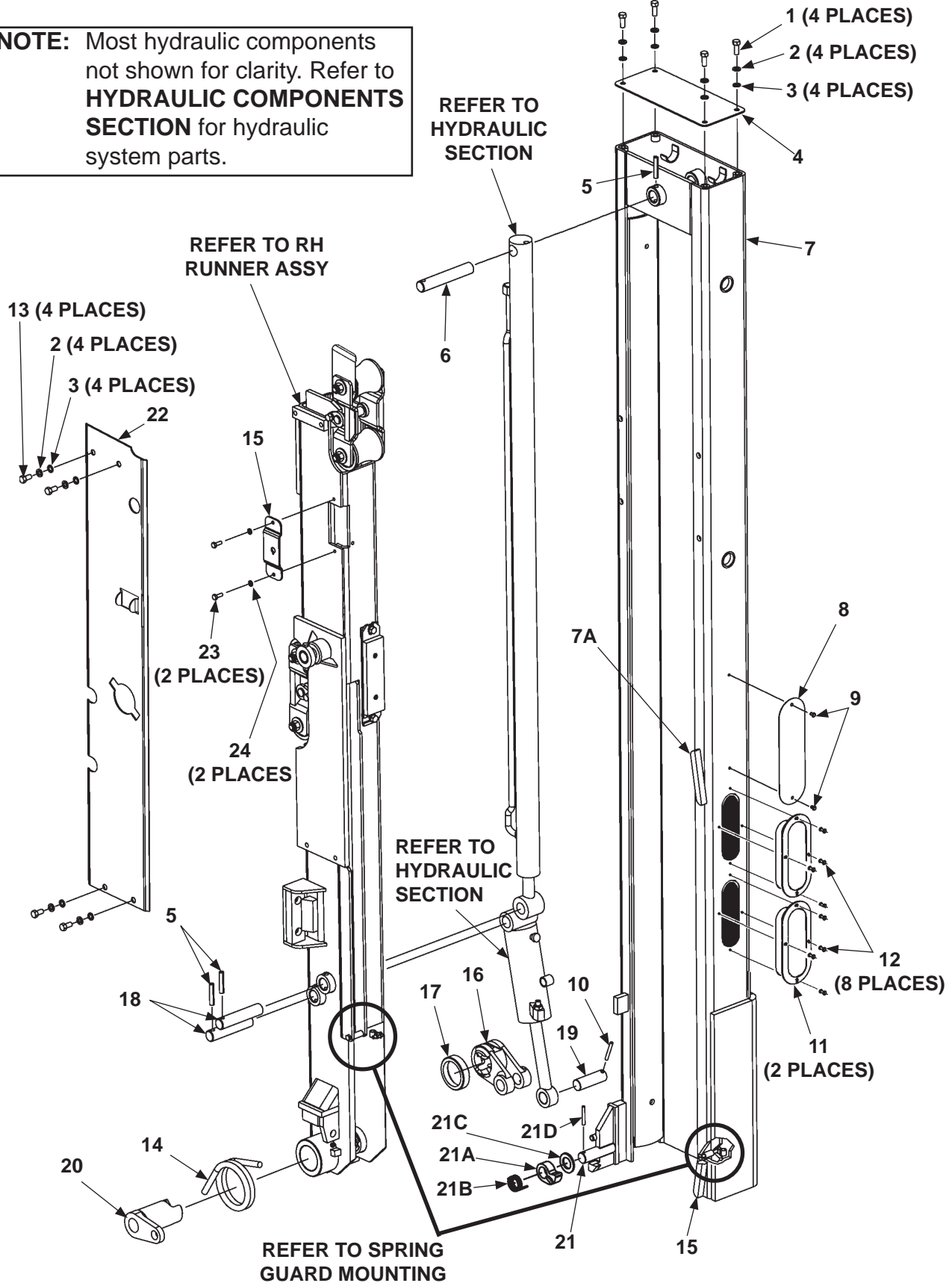


ITEM	QTY.	PART NO.	DESCRIPTION
1	4	902000-20	FLAT WASHER, 3/4"
2	5	040066	LOCK NUT, 1/2"-13
3	2	260181	BOLT, 3/4"-10 X 1-1/4" LG.
4	4	900035-6	HEX HEAD CAP SCREW, 1/2"-13 X 2-1/4" LG, GRADE 8
5	4	900040-5	SOCKET HEAD SCREW, FLAT, 3/8"-16 X 1-1/4" LG.
6	2	900037-11	SOCKET HEAD CAP SCREW, 1/2"-13 X 2-1/4" LG, GRADE 8
7	4	901002	NYLON LOCK NUT, 3/8"-16
8	1	901008	NYLON LOCK NUT, 1/2"-20
9	1	282622-01	CONNECTOR BAR ASSEMBLY, 96" WIDE
		282622-02	CONNECTOR BAR ASSEMBLY, 102" WIDE
9A	2	905200	BEARING, SELF LUBE, 2-1/4" I.D. X 2-1/2" LG.
9B	2	900014-5	HEX HEAD BOLT, 3/8"-16 X 1-1/4" LG.
9C	2	902000-10	FLAT WASHER, 3/8"
9D	2	253516	RUBBER BUMPER
9E	2	901002	NYLON LOCK NUT, 3/8"-16
10	4	902001-2	FLAT WASHER, 3/8"
11	2	902011-9	LOCK WASHER, 3/4"
12	4	902013-13	FLAT WASHER, 1/2"
13	1	280340-01	EXTENSION PLATE, 96" UNIT
		280340-02	EXTENSION PLATE, 102" UNIT
14	1	900036-10	SOCKET HEAD CAP SCREW, 1/2"-20 X 3" LG, GRADE 8
15	2	280103	PIN, 13" LG, STAINLESS STEEL

RH COLUMN ASSEMBLY (WITH TAILLIGHTS)

NOTE: Most hydraulic components not shown for clarity. Refer to **HYDRAULIC COMPONENTS SECTION** for hydraulic system parts.

MAXON® 11921 Slauson Ave. Santa Fe Springs, CA. 90670 (800) 227-4116 FAX (888) 771-7713



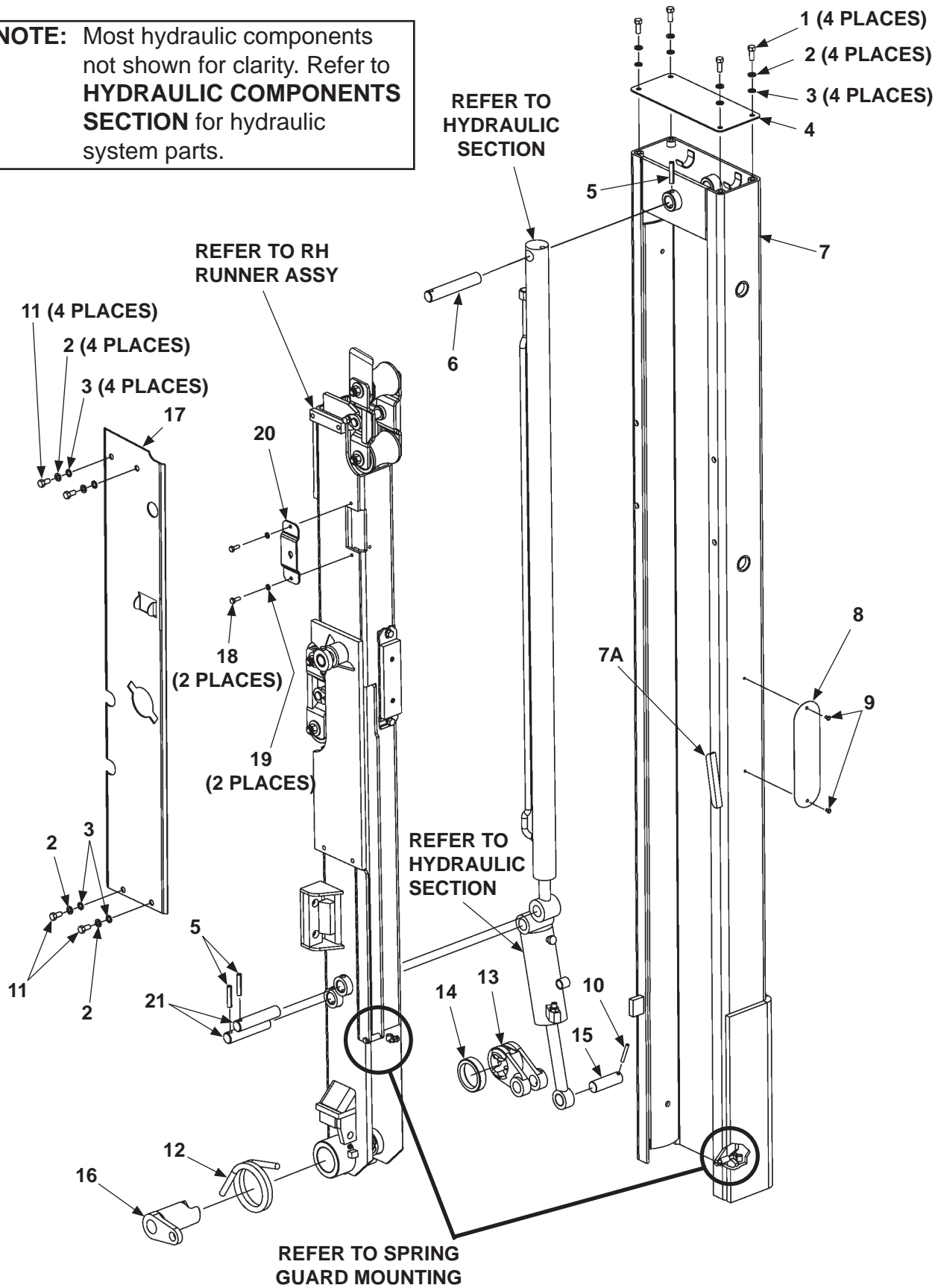
ITEM	QTY.	PART NO.	DESCRIPTION
REF	1	281603-01	RH COLUMN ASSEMBLY (BMR-A 35/44)
		281603-02	RH COLUMN ASSEMBLY (BMR-A 55/66)
1	4	900014-4	HEX HEAD BOLT, 3/8"-16 X 1" LG, GRADE 8
2	8	902011-4	LOCK WASHER, 3/8"
3	8	902000-10	FLAT WASHER, 3/8"
4	1	263114	COLUMN TOP COVER
5	3	221416	ROLL PIN, 3/8" X 2" LG.
6	1	263457	PIN, 5-7/8" LG.
7	1	281605-01	RH COLUMN
7A	2	280018	LOCKING FLAT
8	1	260478	MAXON PLATE, 3" WIDE X 10" LG.
9	2	207644	POP RIVET, 3/16" X .40" LG.
10	1	905033-5	ROLL PIN
11	2	265924-01	LIGHT, STOP/TAIL/TURN LED
12	4	904005-2	POP RIVET, STAINLESS STEEL, 3/16" X 9/16" LG.
13	4	900064-02	BUTTON HEAD SCREW, 3/8"-16 X 5/8" LG.
14	1	260179	TORSION SPRING
15	1	253694	SWITCH PLATE
16	1	260517	COUPLING INSIDE CASTING
17	1	253695	BUSHING, 3/4"
18	2	253590	PIN, 4-3/4" LG.
19	1	253772	PIN, 3-3/32" LG.
20	1	260516-01	COUPLING OUTSIDE, MACHINED
21	1	280580-02	BOTTOM STOP ASSEMBLY, RH
21A	1	260783-02	RH ROTATING BLOCK
21B	1	260404-02	TORSION SPRING
21C	1	902028-16	FLAT WASHER, 5/8"
21D	1	905033-1	ROLL PIN, 1/4" X 1-1/2" LG.
22	1	268541-01	COLUMN COVER, RH
23	2	900000-1	HEX HEAD BOLT, 1/4"-20 X 5/8" LG, GRADE 8
24	2	902011-2	LOCK WASHER, 1/4"

RH COLUMN ASSEMBLY (WITHOUT TAILLIGHTS)

MAXON

11921 Slauson Ave. Santa Fe Springs, CA. 90670 (800) 227-4116 FAX (888) 771-7713

NOTE: Most hydraulic components not shown for clarity. Refer to **HYDRAULIC COMPONENTS SECTION** for hydraulic system parts.

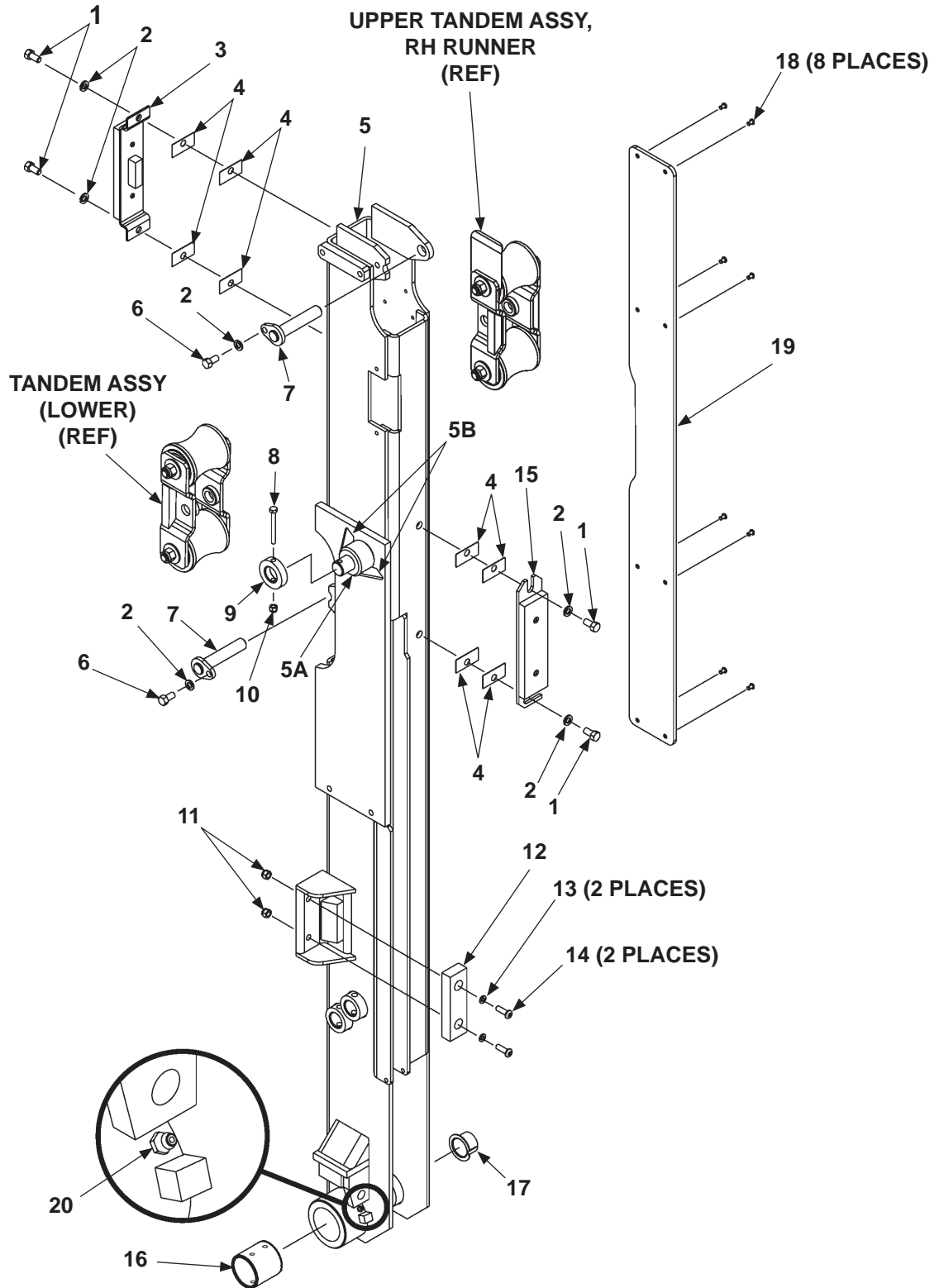


ITEM	QTY.	PART NO.	DESCRIPTION
REF	1	281603-11	RH COLUMN ASSEMBLY
1	4	900014-4	HEX HEAD BOLT, 3/8"-16 X 1" LG, GRADE 8
2	8	902011-4	LOCK WASHER, 3/8"
3	8	902000-10	FLAT WASHER, 3/8"
4	1	263114	COLUMN TOP COVER
5	3	221416	ROLL PIN, 3/8" X 2" LG.
6	1	263457	PIN, 1" DIA. X 5-7/8" LG.
7	1	281605-11	RH COLUMN
7A	1	280018	LOCKING FLAT
8	1	260478	MAXON PLATE, 3" WIDE X 10" LG.
9	2	207644	POP RIVET, 3/16" X .40" LG.
10	1	905033-5	ROLL PIN
11	4	900064-02	BUTTON HEAD SCREW, 3/8"-16 X 5/8" LG.
12	1	260179	TORSION SPRING
13	1	260517	COUPLING INSIDE CASTING
14	1	253695	BUSHING, 3/4"
15	1	253772	PIN, 3-3/32" LG.
16	1	260516-01	COUPLING OUTSIDE, MACHINED
17	1	268541-01	COLUMN COVER, RH
18	2	900000-1	HEX HEAD BOLT, 1/4"-20 X 5/8" LG, GRADE 8
19	2	902011-2	LOCK WASHER, 1/4"
20	1	253694	SWITCH PLATE
21	2	253590	PIN, 4-3/4" LG.

RH RUNNER ASSEMBLY (BMR-A)

MAXON®

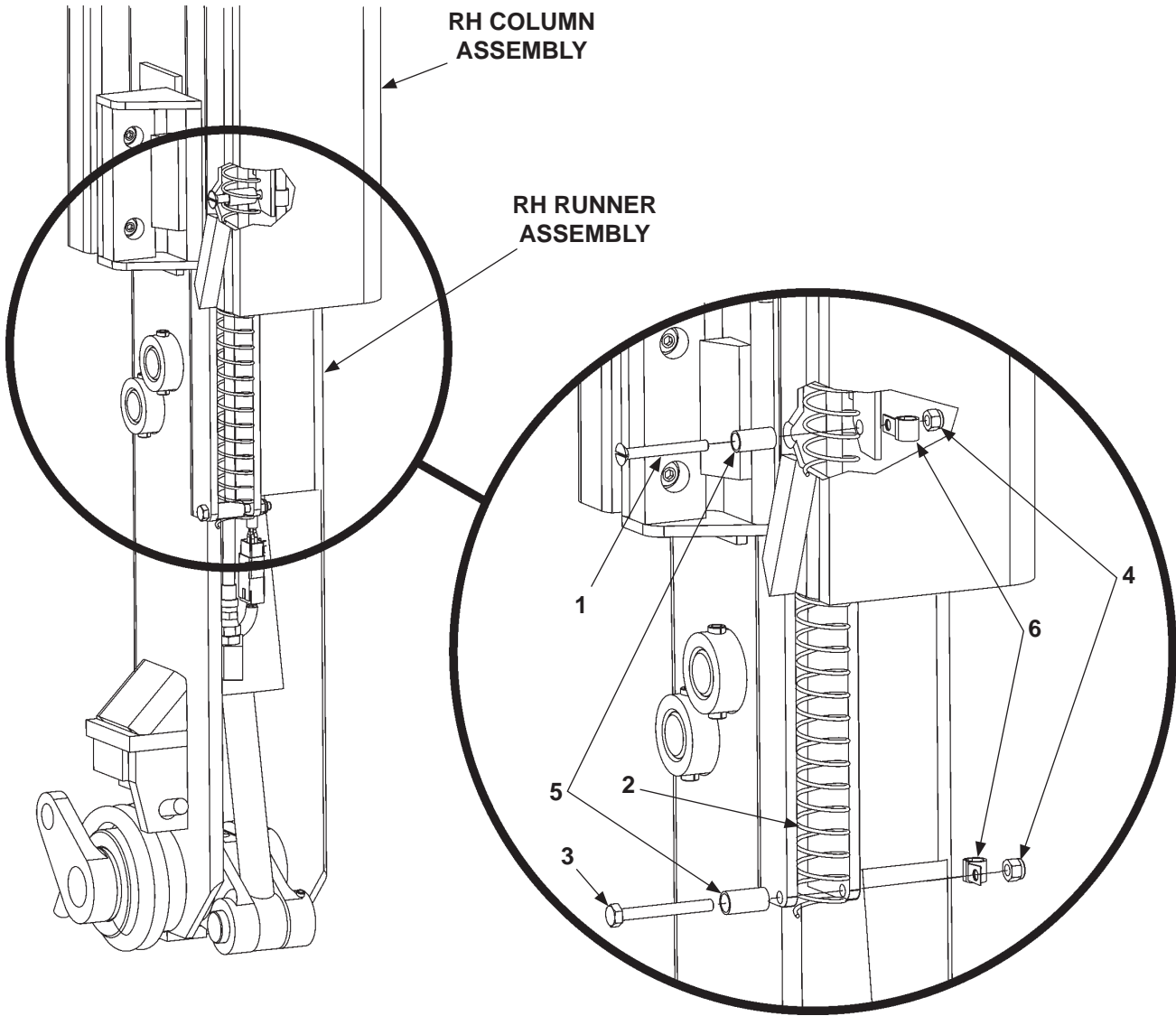
11921 Slauson Ave. Santa Fe Springs, CA. 90670 (800) 227-4116 FAX (888) 771-7713



ITEM	QTY.	PART NO.	DESCRIPTION
REF	1	280706-01	RH RUNNER ASSEMBLY
1	4	900014-12	HEX HEAD CAP SCREW, 3/8"-16 X 5/8" LG, GRADE 8
2	6	902011-4	LOCK WASHER, 3/8"
3	1	263221	UPPER PAD SUPPORT ASSEMBLY
4	A/R	263030	SPACER
5	1	280704-01	RH RUNNER
5A	1	253614	CHAIN BRACKET WELDMENT
5B	2	253645	GUSSET, CHAIN BRACKET
6	2	900014-3	HEX HEAD CAP SCREW, 3/8" - 16 X 3/4" LG, GRADE 8
7	2	280067	ARM WELDMENT
8	1	900000-10	BOLT, 1/4"-20 X 2-1/2" LG, GRADE 8
9	1	253615	PIN COLLAR, 1/2"
10	1	901000	NYLON LOCK NUT, 1/4"-20
11	2	901001	NYLON LOCK NUT, 5/16"-18
12	1	225278-02	BUMPER, RUBBER
13	2	902013-10	FLAT WASHER, 5/16"
14	2	900001-4	BUTTON HEAD SCREW, 5/16"-18 X 1-1/4" LG.
15	1	263225	LOWER PAD SUPPORT ASSEMBLY
16	1	908011-01	BEARING, SELF LUBE, 2-1/2" DIA. X 2-1/8" LG.
17	1	253595	BEARING, SELF LUBE, 1-1/4" DIA. X 1" LG.
18	8	207644	POP RIVET, 3/16" X .40" LG.
19	1	253543	PAD
20	1	224342	GREASE FITTING 1/4"

NOTE: A/R means As Required.

SPRING GUARD MOUNTING

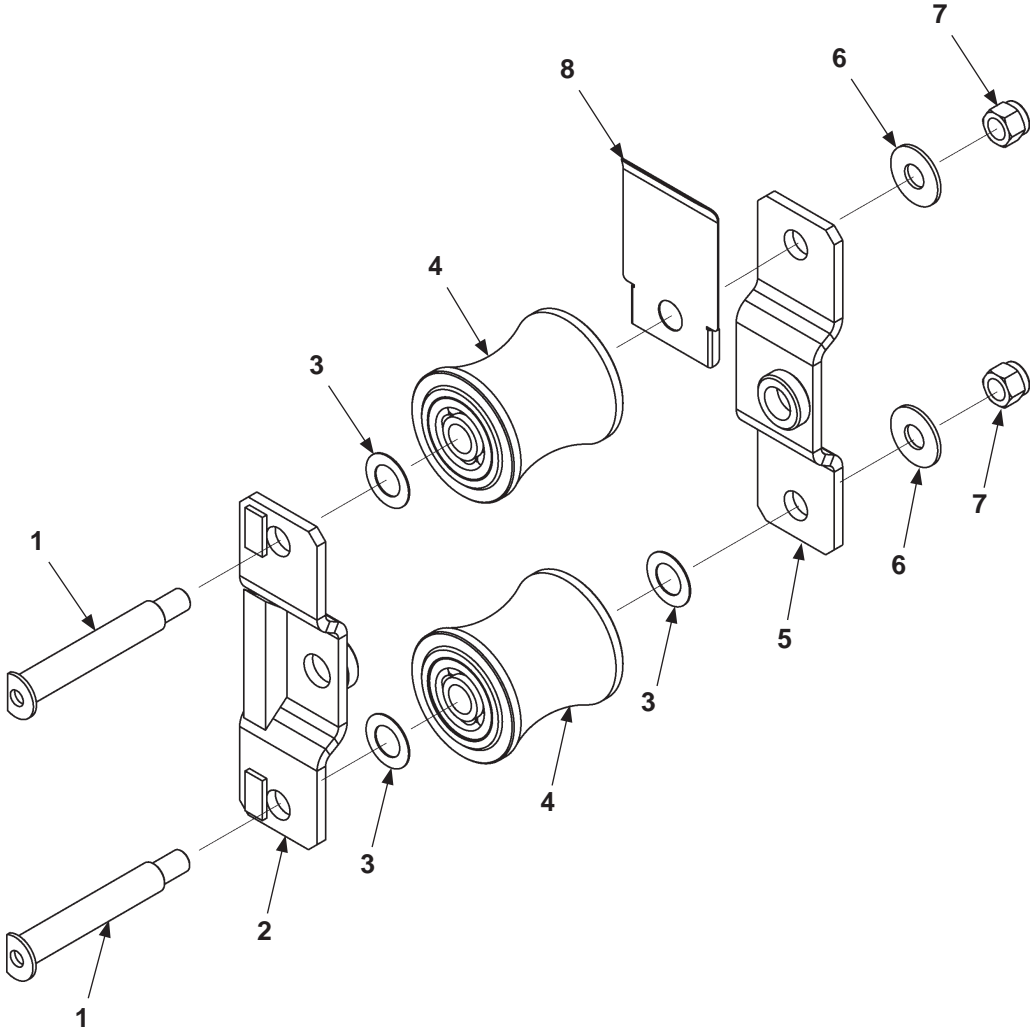


ITEM	QTY.	PART NO.	DESCRIPTION
1	1	260299	FLAT HEAD SCREW, 1/4"-20 X 2-1/2" LG.
2	1	253603-01	SPRING GUARD
3	1	900000-9	HEX HEAD BOLT, 1/4"-20 X 2-1/4" LG, GRADE 8
4	2	901000	NYLON LOCK NUT, 1/4"-20
5	2	253621	BUSHING, 1/2" DIA. X 15/16" LG.
6	2	214663	CLAMP, #8 RUBBER LOOM

MAXON[®]

11921 Slauson Ave. Santa Fe Springs, CA. 90670 (800) 227-4116 FAX (888) 771-7713

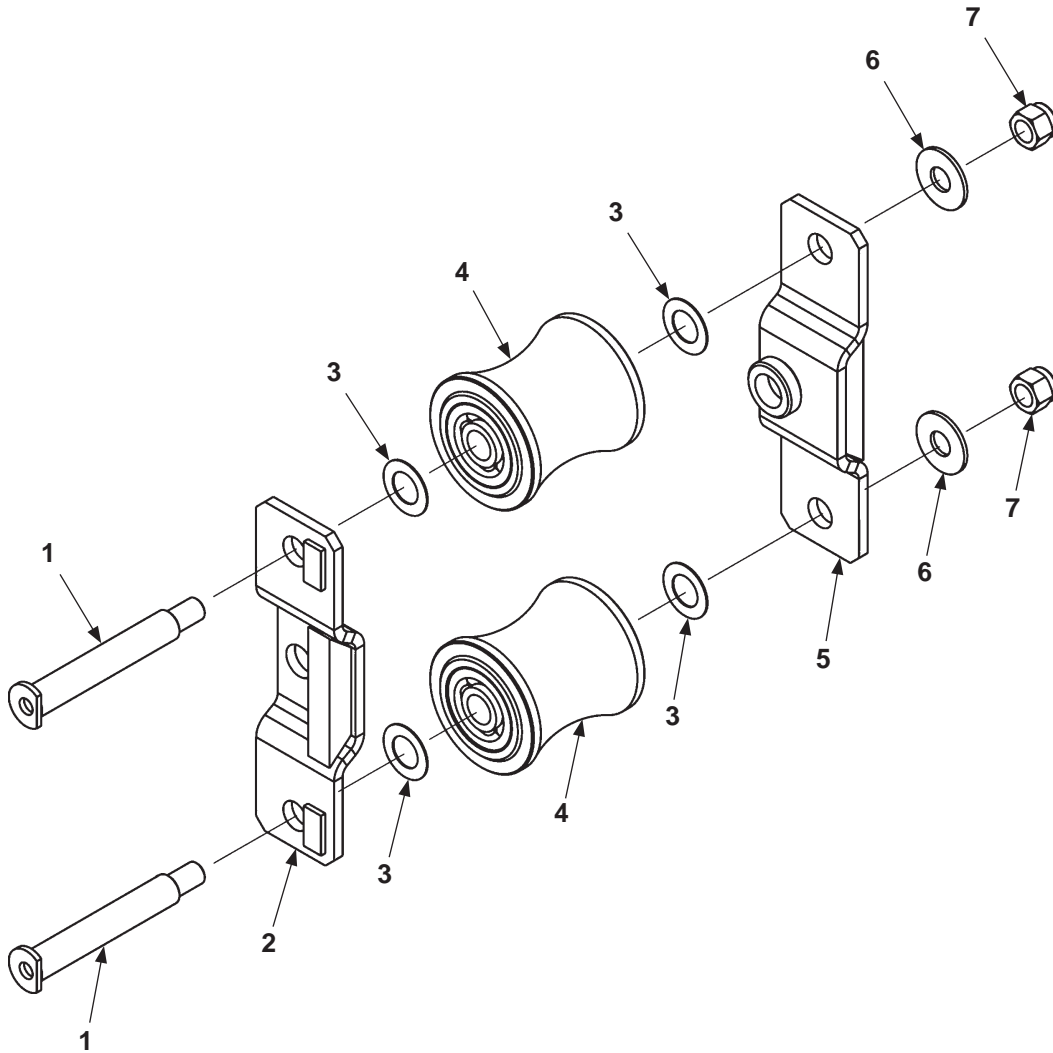
UPPER TANDEM ASSEMBLY, RH RUNNER



ITEM	QTY.	PART NO.	DESCRIPTION
REF	1	280055-02	UPPER TANDEM ASSEMBLY, RH RUNNER
1	2	253509-01	ROLLER AXLE
2	1	280064	ROLLER BRACKET
3	3	261182	FLAT WASHER, .72" I.D. X 1-1/4" O.D. STAINLESS STEEL
4	2	253550-100	ROLLER
5	1	280063	ROLLER BRACKET
6	2	902014	FLAT WASHER, 5/8" I.D. X 1-3/8" O.D.
7	2	901008	NYLON LOCK NUT, 1/4"-20
8	1	280851-01	ROLLER COVER

MAXON[®] 11921 Slauson Ave. Santa Fe Springs, CA. 90670 (800) 227-4116 FAX (888) 771-7713

TANDEM ASSEMBLY (LOWER)



ITEM	QTY.	PART NO.	DESCRIPTION
REF	1	280055	TANDEM ASSEMBLY
1	2	253509-01	ROLLER AXLE
2	1	280064	ROLLER BRACKET
3	4	261182	FLAT WASHER, .72" I.D. X 1-1/4" O.D. STAINLESS STEEL
4	2	253550-100	ROLLER
5	1	280063	ROLLER BRACKET
6	2	902014	FLAT WASHER, 5/8" I.D. X 1-3/8" O.D.
7	2	901008	NYLON LOCK NUT, 1/4"-20

MAXON[®]

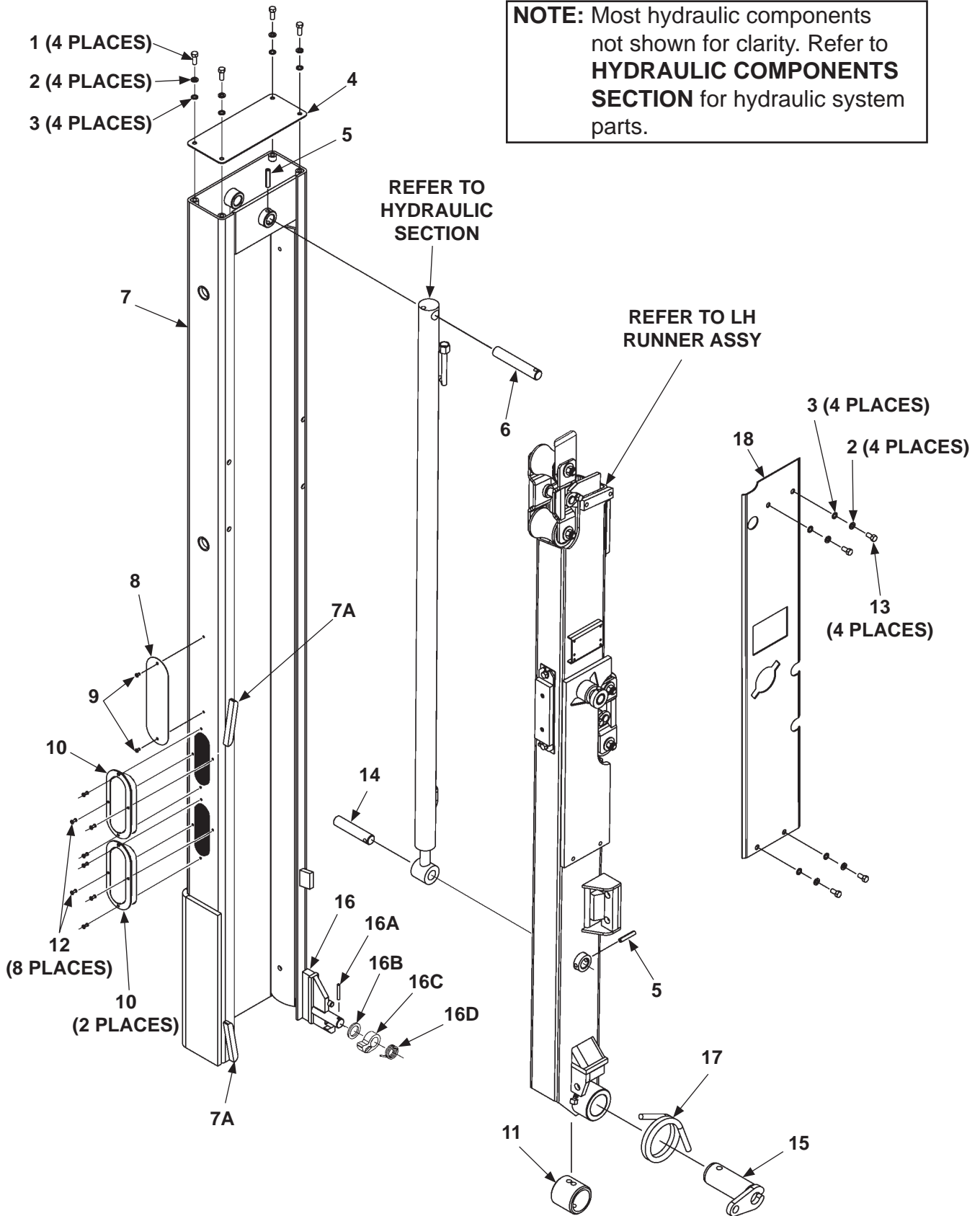
11921 Slauson Ave. Santa Fe Springs, CA. 90670 (800) 227-4116 FAX (888) 771-7713

THIS PAGE INTENTIONALLY LEFT BLANK

LH COLUMN ASSEMBLY (WITH TAILLIGHTS)

MAXON

11921 Slauson Ave. Santa Fe Springs, CA. 90670 (800) 227-4116 FAX (888) 771-7713

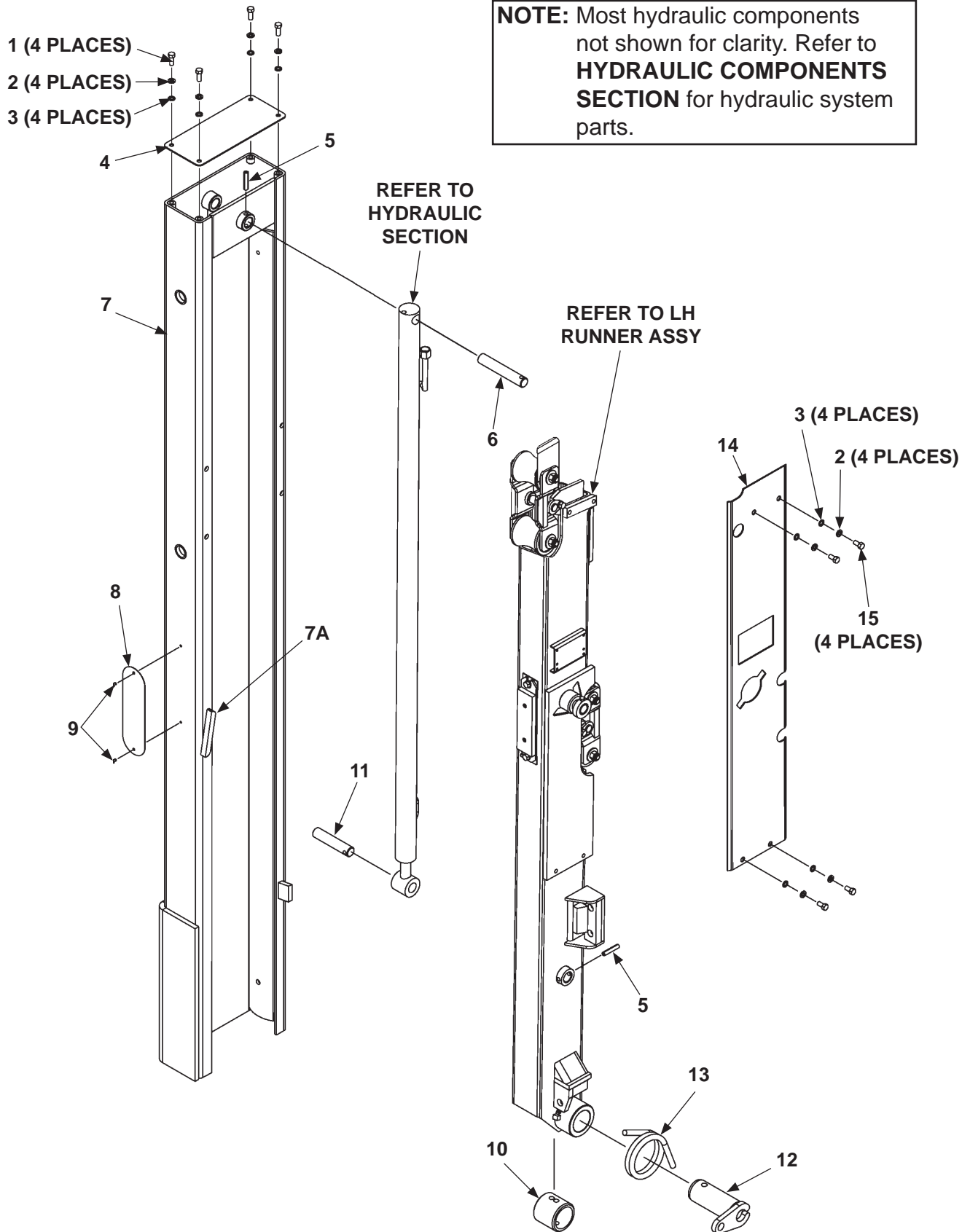


ITEM	QTY.	PART NO.	DESCRIPTION
REF	1	281602-01	LH COLUMN ASSEMBLY (BMR-A 35/44)
		281602-02	LH COLUMN ASSEMBLY (BMR-A 55/66)
1	4	900014-4	HEX HEAD CAP SCREW, 3/8"-16 X 1" LG, GRADE 8
2	8	902011-4	LOCK WASHER, 3/8"
3	8	902000-10	FLAT WASHER, 3/8"
4	1	263114	COLUMN TOP COVER
5	2	221416	ROLL PIN, 3/8" X 2" LG.
6	1	263457	PIN, 5-7/8" LG.
7	1	281604-01	LH COLUMN
7A	2	280018	LOCKING FLAT
8	1	260478	MAXON PLATE, 3" WIDE X 10" LG.
9	2	207644	POP RIVET, 3/16" X .40" LG.
10	2	265924-01	LIGHT, STOP/TAIL/TURN LED
11	1	253696	PIN COLLAR, 2-3/4" LG.
12	8	904005-2	POP RIVET, STAINLESS STEEL, 3/16" X 9/16" LG.
13	4	900064-02	BUTTON HEAD SCREW, 3/8"-16 X 5/8" LG.
14	1	253590	PIN, 4-3/4" LG.
15	1	280623-01	COUPLING, LH, MACHINED
16	1	280580-01	BOTTOM STOP ASSEMBLY, LH
16A	1	905033-1	ROLL PIN, 1/4" X 1-1/2" LG.
16B	1	902028-16	FLAT WASHER, 1" I.D. X 1-5/8" O.D.
16C	1	260783-01	LH ROTATING BLOCK
16D	1	260404-01	LH TORSION SPRING
17	1	280620-01	TORSION SPRING, LH BMRA
18	1	280666-01	COLUMN COVER, LH

LH COLUMN ASSEMBLY (WITHOUT TAILLIGHTS)

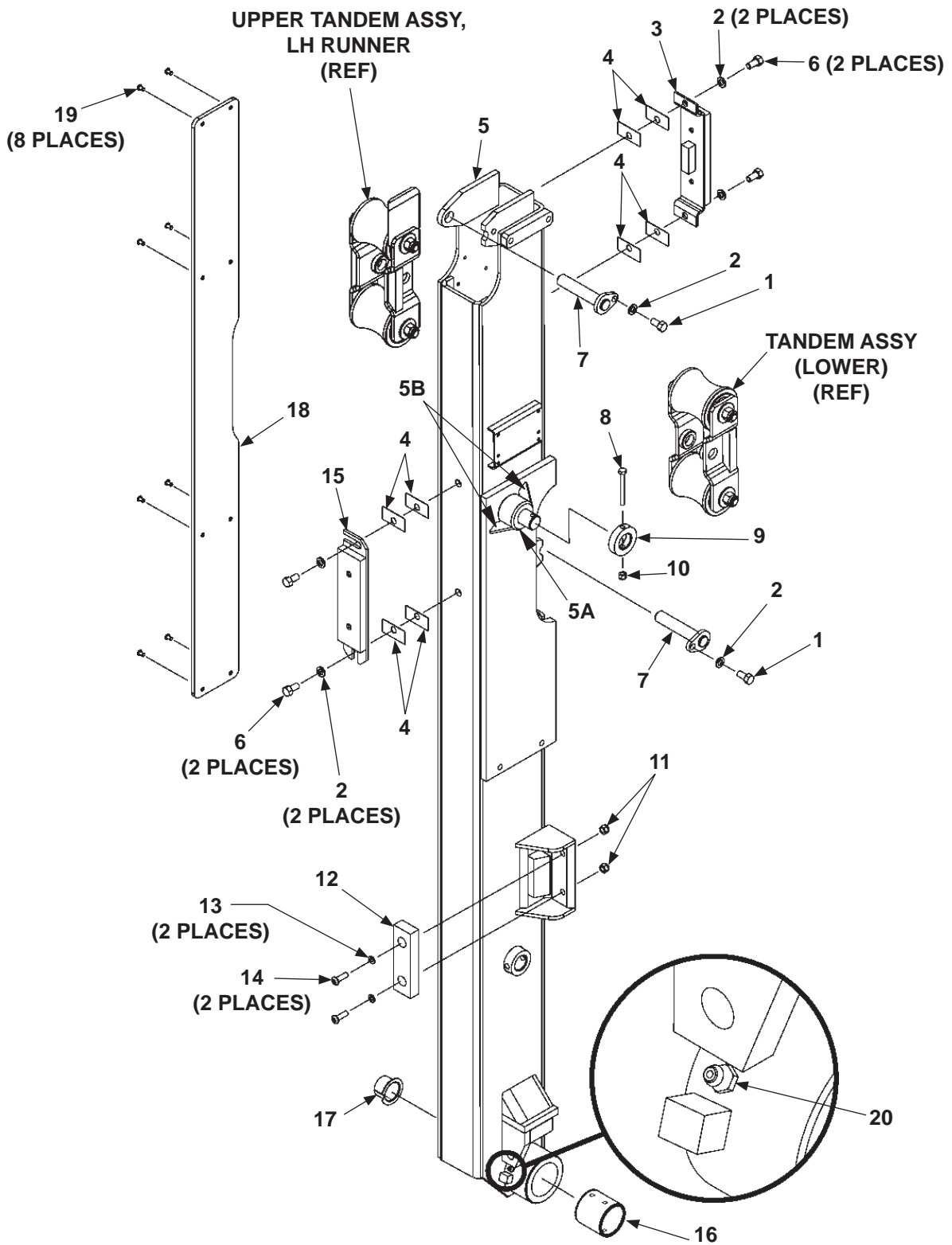
MAXON

11921 Slauson Ave. Santa Fe Springs, CA. 90670 (800) 227-4116 FAX (888) 771-7713



ITEM	QTY.	PART NO.	DESCRIPTION
REF	1	281602-11	LH COLUMN ASSEMBLY
1	4	900014-4	HEX HEAD CAP SCREW, 3/8"-16 X 1" LG, GRADE 8
2	8	902011-4	LOCK WASHER, 3/8"
3	8	902000-10	FLAT WASHER, 3/8"
4	1	263114	COLUMN TOP COVER
5	2	221416	ROLL PIN, 3/8" X 2" LG.
6	1	263457	PIN, 5-7/8" LG.
7	1	281604-11	LH COLUMN
7A	1	280018	LOCKING FLAT
8	1	260478	MAXON PLATE, 3" WIDE X 10" LG.
9	2	207644	POP RIVET, 3/16" X .40" LG.
10	1	253696	PIN COLLAR, 2-3/4" LG.
11	1	253590	PIN, 4-3/4" LG.
12	1	280623-01	COUPLING, LH, MACHINED
13	1	280620-01	TORSION SPRING, LH BMRA
14	1	280666-01	COLUMN SIDE COVER
15	4	900064-02	BUTTON HEAD SCREW, 3/8"-16 X 5/8" LG, GRADE 8

LH RUNNER ASSEMBLY (BMR-A)

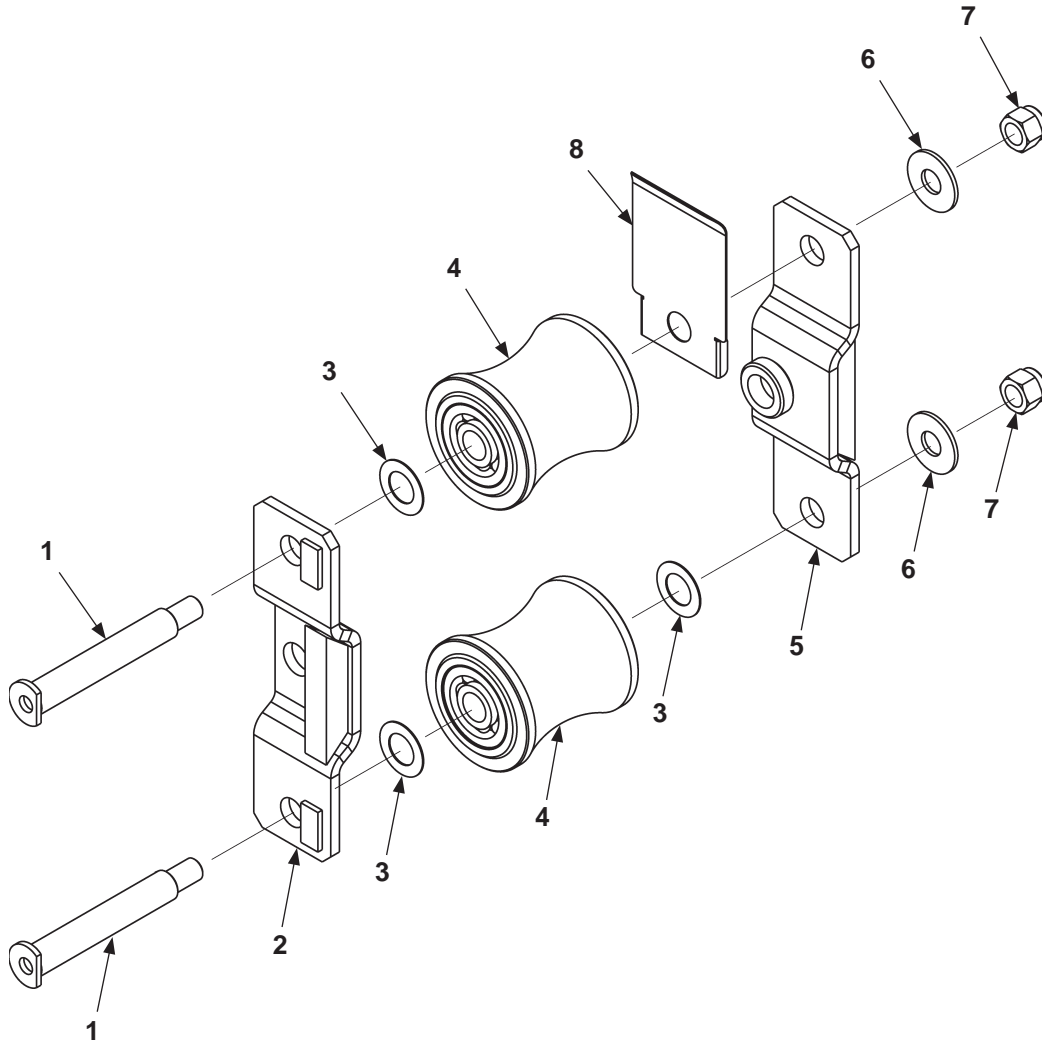


MAXON® 11921 Slauson Ave. Santa Fe Springs, CA. 90670 (800) 227-4116 FAX (888) 771-7713

ITEM	QTY.	PART NO.	DESCRIPTION
REF	1	280705-01	LH RUNNER ASSEMBLY
1	2	900014-3	HEX HEAD CAP SCREW, 3/8"-16 X 3/4" LG, GRADE 8
2	6	902011-4	LOCK WASHER, 3/8"
3	1	263221	UPPER PAD SUPPORT ASSEMBLY
4	A/R	263030	SPACER
5	1	280703-01	LH RUNNER
5A	1	253614	CHAIN BRACKET WELDMENT
5B	2	253645	GUSSET, CHAIN BRACKET
6	4	900014-12	HEX HEAD CAP SCREW, 3/8" - 16 X 5/8" LG, GRADE 8
7	2	280067	ARM WELDMENT
8	1	900000-10	HEX HEAD BOLT, 1/4"-20 X 2-1/2" LG, GRADE 8
9	1	253615	PIN COLLAR, 1/2"
10	1	901000	NYLON LOCK NUT, 1/4"-20
11	2	901001	NYLON LOCK NUT, 5/16"-18
12	1	225278-02	BUMPER, RUBBER
13	2	902013-10	FLAT WASHER, 5/16"
14	2	900001-4	BUTTON HEAD SCREW, 5/16"-18 X 1-1/4" LG.
15	1	263225	LOWER PAD SUPPORT ASSEMBLY
16	1	908011-01	BEARING, SELF LUBE, 2.50" DIA. X 2-1/8" LG.
17	1	253595	BEARING, SELF LUBE, 1-1/4" DIA. X 1" LG.
18	1	253543	PAD
19	8	207644	POP RIVET, 3/16" X .40" LG.
20	1	224342	GREASE FITTING 1/4"

NOTE: A/R means As Required.

UPPER TANDEM ASSEMBLY, LH RUNNER



ITEM	QTY.	PART NO.	DESCRIPTION
REF	1	280055-01	UPPER TANDEM ASSEMBLY, LH RUNNER
1	2	253509-01	ROLLER AXLE
2	1	280064	ROLLER BRACKET
3	3	261182	FLAT WASHER, .72" I.D. X 1-1/4" O.D. STAINLESS STEEL
4	2	253550-100	ROLLER
5	1	280063	ROLLER BRACKET
6	2	902014	FLAT WASHER, 5/8" I.D. X 1-3/8" O.D.
7	2	901008	NYLON LOCK NUT, 1/4"-20
8	1	280851-01	ROLLER COVER

MAXON[®]

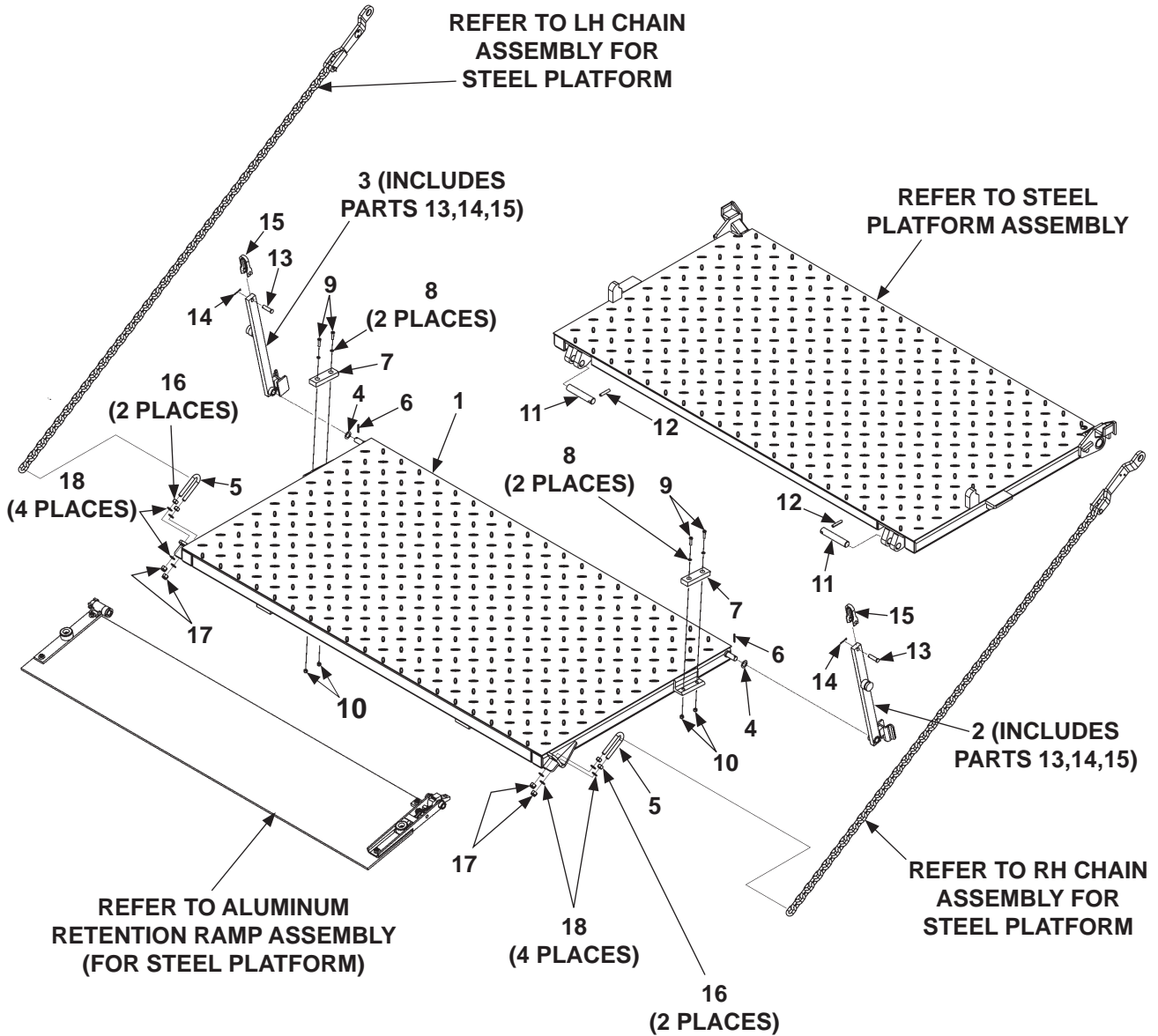
11921 Slauson Ave. Santa Fe Springs, CA. 90670 (800) 227-4116 FAX (888) 771-7713

THIS PAGE INTENTIONALLY LEFT BLANK

PLATFORM, FLIPOVER, AND CHAIN ASSEMBLY (STEEL)

MAXON[®]

11921 Slauson Ave. Santa Fe Springs, CA. 90670 (800) 227-4116 FAX (888) 771-7713



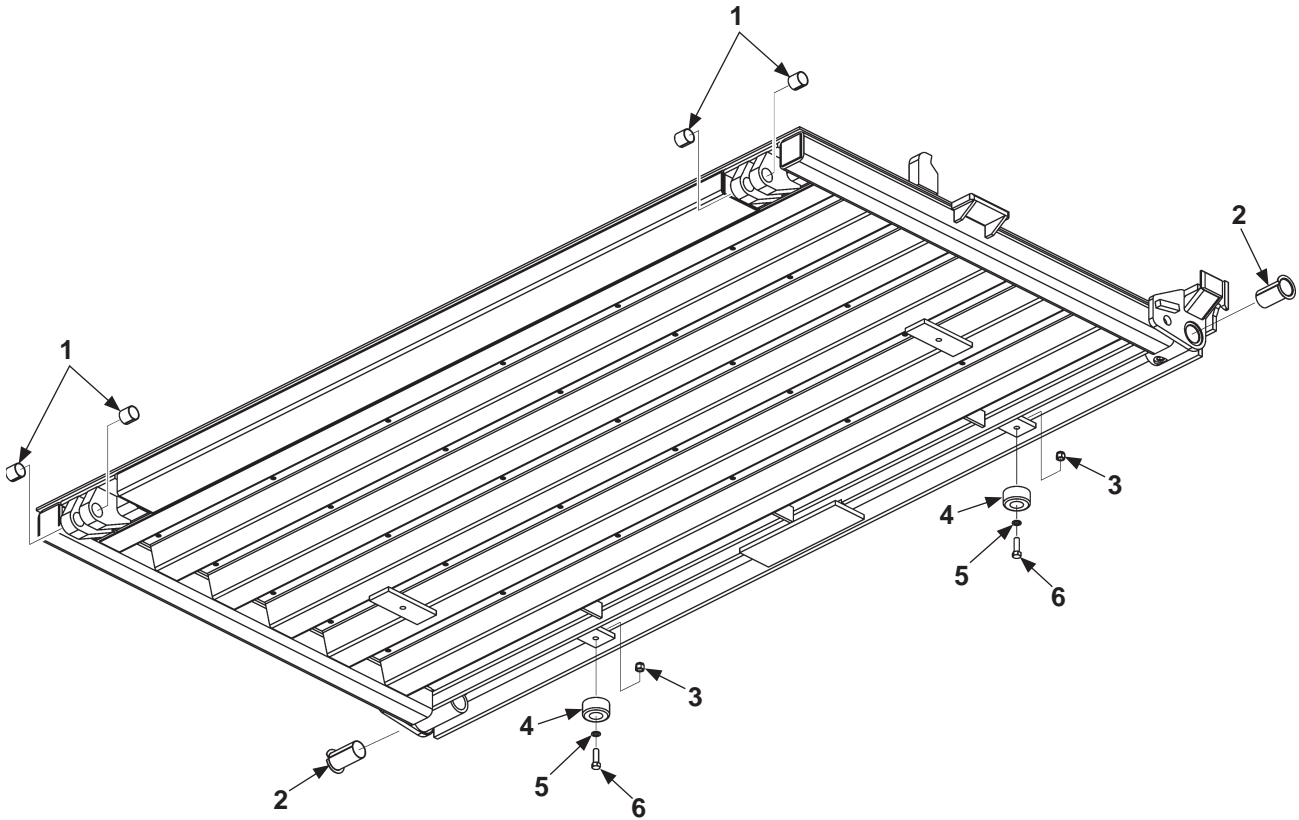
ITEM	QTY.	DESCRIPTION	PART NO.			
			24" DEEP	30" DEEP	36" DEEP	42" DEEP
1	1	FLIPOVER, 96" WIDE VEHICLE (BMR-A 55-66)	282868-13	282868-01	282868-02	282868-03
		FLIPOVER, 102" WIDE VEHICLE (BMR-A 55-66)	282868-14	282868-04	282868-05	282868-06
		FLIPOVER, 96" WIDE VEHICLE (BMR-A 35-44)	282868-15	282868-07	282868-08	282868-09
		FLIPOVER, 102" WIDE VEHICLE (BMR-A 35-44)	282868-16	282868-10	282868-11	282868-12
2	1	OPENER ASSEMBLY RH, 30" + 30" *	280030-02			
		OPENER ASSEMBLY RH, 36" + 36" *	280030-04			
		OPENER ASSEMBLY RH, 42" + 42" *	280030-06			
		OPENER ASSEMBLY RH, 36" + 24" *	280030-08			
		OPENER ASSEMBLY RH, 42" + 30" *	280030-10			
3	1	OPENER ASSEMBLY LH, 30" + 30" *	280030-01			
		OPENER ASSEMBLY LH, 36" + 36" *	280030-03			
		OPENER ASSEMBLY LH, 42" + 42" *	280030-05			
		OPENER ASSEMBLY LH, 36" + 24" *	280030-07			
		OPENER ASSEMBLY LH, 42" + 30" *	280030-09			
4	2	FLAT WASHER, 3/4" I.D. STAINLESS STEEL	261685			
5	2	U-BOLT	282854-01			
6	2	ROLL PIN, 3/16" X 1-1/2" LG.	905015-3			
7	2	BUMPER	225278-02			
8	4	FLAT WASHER, 5/16"	902013-10			
9	4	BUTTON HEAD SCREW, 5/16"-18 X 1-1/4" LG.	900001-4			
10	4	NYLON LOCK NUT, 5/16"-18	901001			
11	2	PIN, 5-1/2" LG.	253587			
12	2	ROLL PIN, 3/8" X 2" LG.	221416			
13	2	CLEVIS PIN, 1/2" X 1-7/8" LG, GRADE 8	905136-01			
14	2	COTTER PIN, 1/8" X 1" LG.	030805			
15	2	ANCHOR SHACKLE	280644-01			
16	4	NUT, 1/2"	901011-9			
17	4	NYLON LOCK NUT, 1/2"-13	901010			
18	8	FLAT WASHER, 1/2"	902000-14			

* PLATFORM + FLIPOVER DEPTH

PLATFORM ASSEMBLY (STEEL)

MAXON[®]

11921 Slauson Ave. Santa Fe Springs, CA. 90670 (800) 227-4116 FAX (888) 771-7713



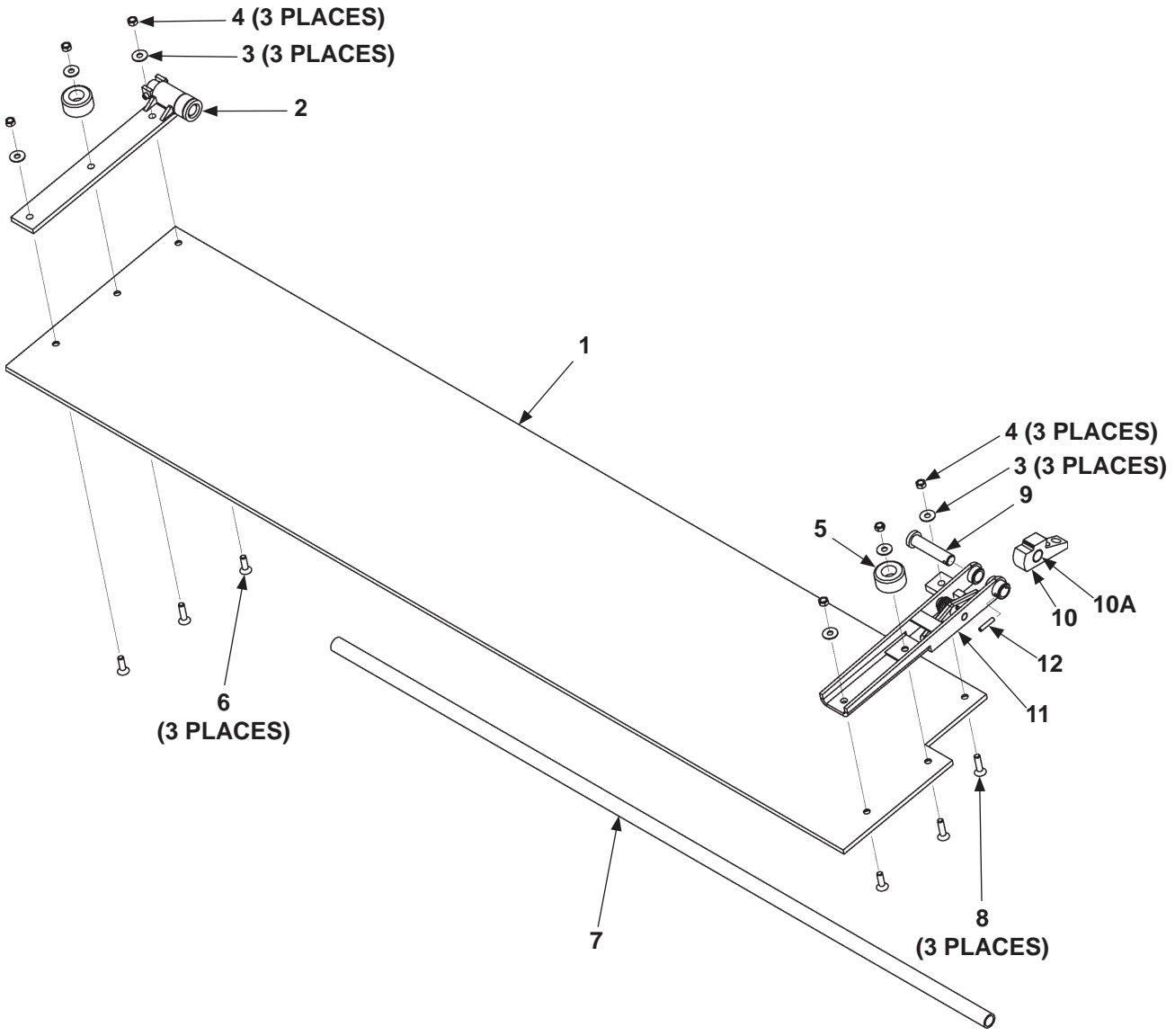
ITEM	QTY.	DESCRIPTION	PART NO.			
			24" DEEP	30" DEEP	36" DEEP	42" DEEP
REF	1	PLATFORM, 96" WIDE VEHICLE (BMR 55-66)	N/A	282600-601	282600-602	282600-603
		PLATFORM, 102" WIDE VEHICLE (BMR 55-66)	N/A	282600-611	282600-612	282600-613
		PLATFORM, 96" WIDE VEHICLE (BMR 35-44)	N/A	282600-401	282600-402	282600-403
		PLATFORM, 102" WIDE VEHICLE (BMR 35-44)	N/A	282600-411	282600-412	282600-413
1	4	BEARING, SELF LUBE	253657			
2	2	BEARING, SELF LUBE, 2-1/4" DIA. X 2-1/2" LG.	905200			
3	2	NYLON LOCK NUT, 3/6"-16	901002			
4	2	RUBBER BUMPER	253516			
5	2	FLAT WASHER, 3/8"	902000-10			
6	2	HEX HEAD BOLT, 3/8"-16 X 1-1/4" LG.	900014-5			

MAXON[®] 11921 Slauson Ave. Santa Fe Springs, CA. 90670 (800) 227-4116 FAX (888) 771-7713

ALUMINUM RETENTION RAMP ASSEMBLY (USE WITH STEEL PLATFORM)

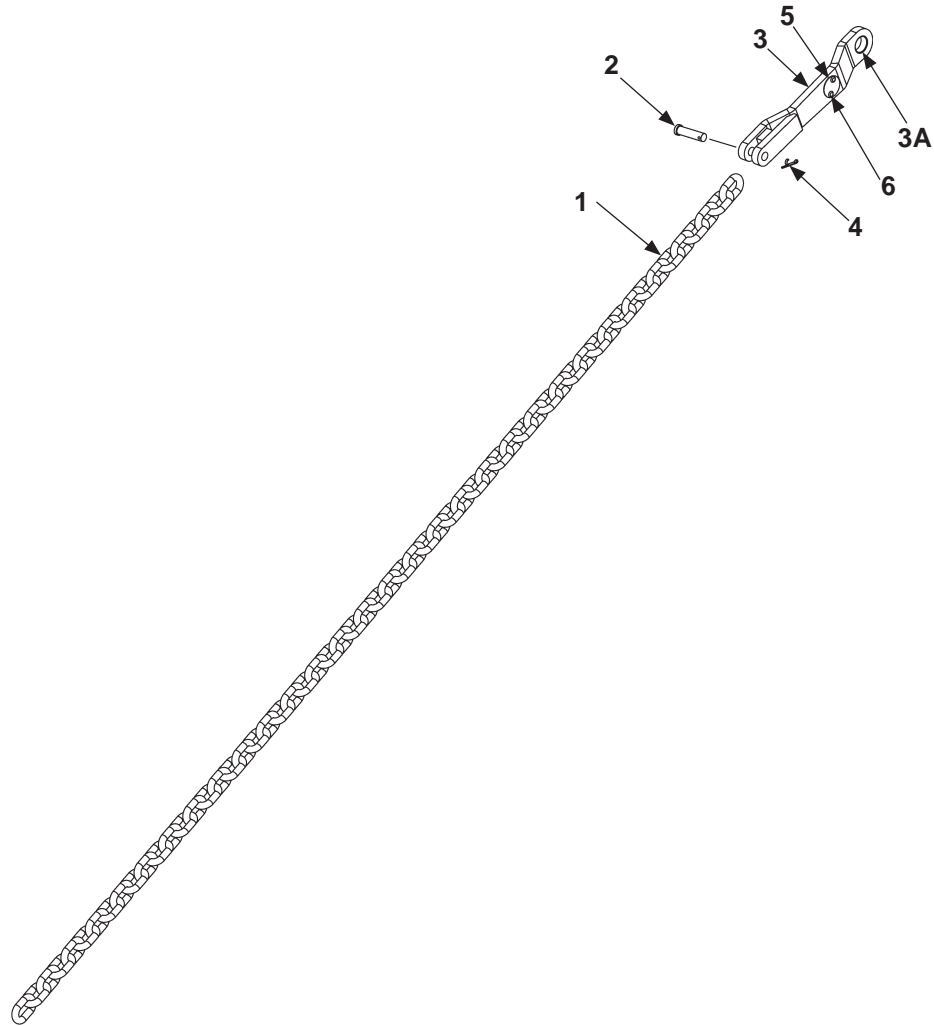
MAXON

11921 Slauson Ave. Santa Fe Springs, CA. 90670 (800) 227-4116 FAX (888) 771-7713



ITEM	QTY.	PART NO.	DESCRIPTION
REF	1	264699-02	AL RET. RAMP ASSY, 16" (96" WIDE VEH)
		264699-03	AL RET. RAMP ASSY, 16" (102" WIDE VEH)
1	1	264697-02	ALUMINUM RAMP 16" X 77" LG. (96" WIDE VEH)
		264697-03	ALUMINUM RAMP 16" X 83" LG. (102" WIDE VEH)
2	1	253524	HINGE ASSEMBLY LH
3	6	902001-2	FLAT WASHER, 3/8"
4	6	030955	NYLON LOCK NUT, 3/8"-16
5	2	253516	RUBBER BUMPER
6	3	900040-5	SCREW, FLAT SOCKET HEAD, 3/8"-16" X 1-1/4" LG.
7	1	225985	PIPE, 3/4" X 60" LG.
8	3	900040-6	SCREW, FLAT SOCKET HEAD, 3/8"-16 X 1-1/2" LG.
9	1	264586	PIN WELDMENT
10	1	264639	LOCKING CAM
10A	1	260917-06	BEARING, SELF LUBE
11	1	264572	HINGE ASSEMBLY RH
12	1	905033-2	ROLL PIN, 1/4" X 1-1/4" LG.

LH CHAIN ASSEMBLY (FOR STEEL PLATFORM)



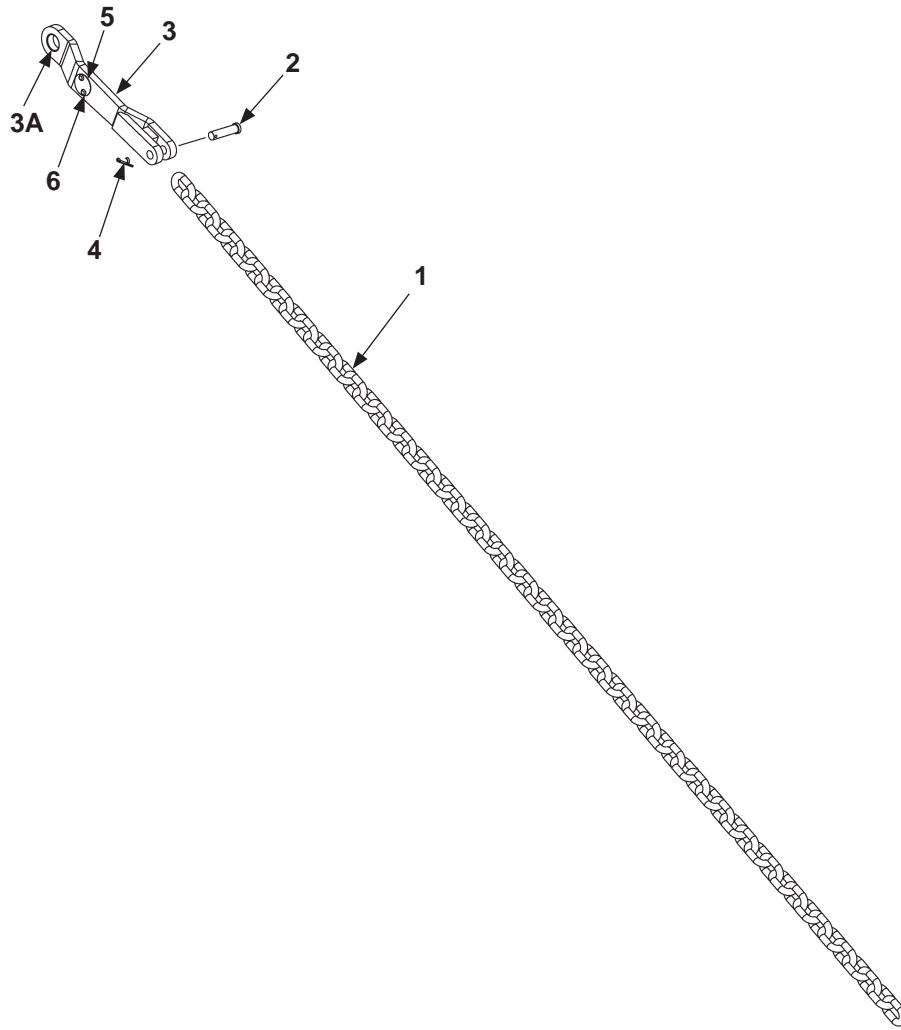
ITEM	QTY.	DESCRIPTION	PART NO.				
			* 42" + 42"	* 42" + 36"	* 42" + 30"	* 36" + 36"	* 36" + 24"
REF	1	CHAIN ASSEMBLY LH	282867-03	282867-09	282867-01		282867-05
1	1	CHAIN	282866-02	282866-05	282866-01		282866-03
2	1	CLEVIS PIN, 1/2" X 1-7/8" LG.	905136-01				
3	1	TEAR DROP ASSY, LH	280505-01				
3A	1	BEARING, SELF-LUBE	260078				
4	1	COTTER PIN, 1/8" X 1-1/2" LG.	030177				
5	1	KEEP HANDS CLEAR (PLATE) (SEE DECAL SEC)	REF				
6	2	POP RIVET, 3/16" X .40" LG.	REF				

* PLATFORM + FLIPOVER DEPTH

MAXON[®]

11921 Slauson Ave. Santa Fe Springs, CA. 90670 (800) 227-4116 FAX (888) 771-7713

RH CHAIN ASSEMBLY (FOR STEEL PLATFORM)

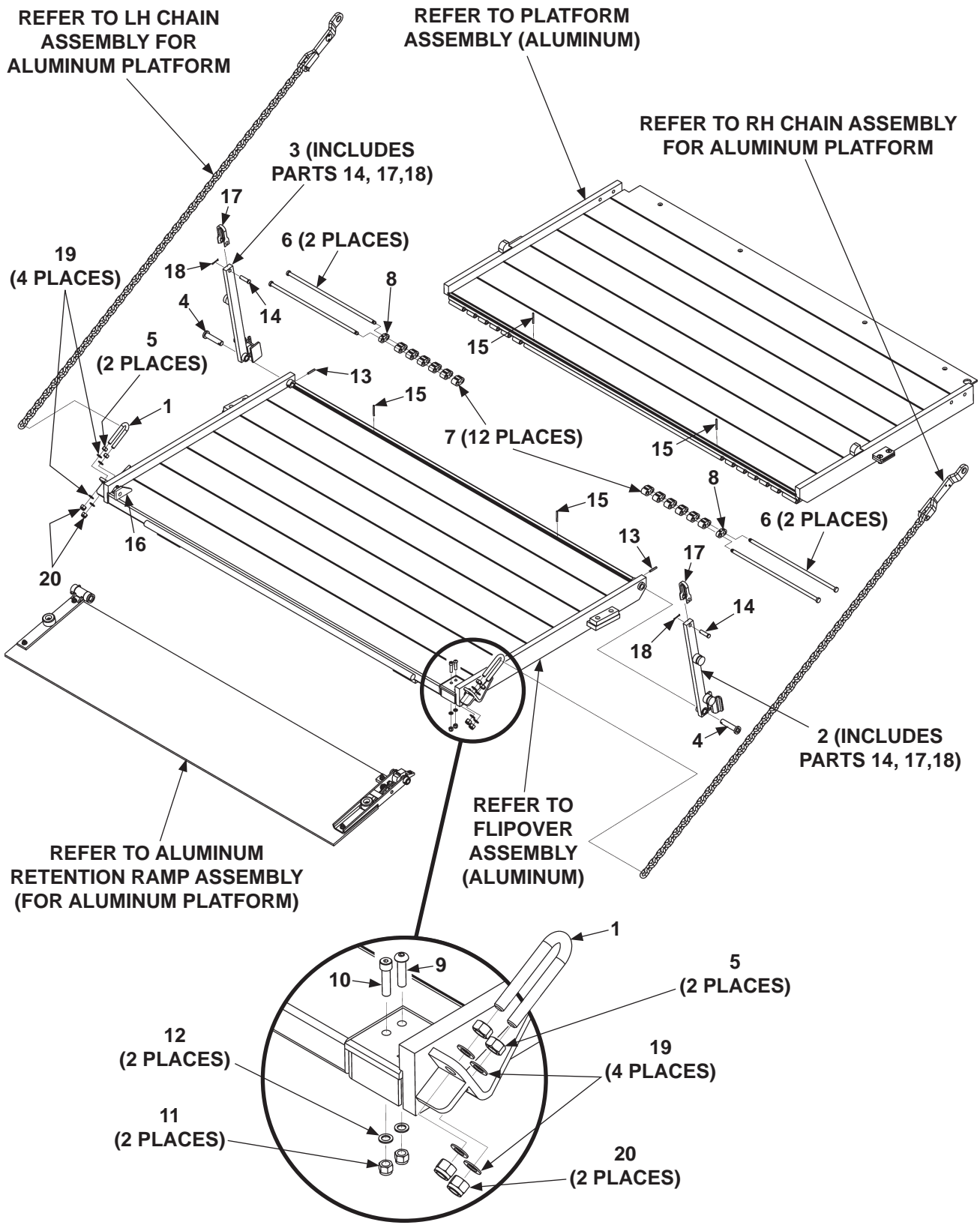


ITEM	QTY.	DESCRIPTION	PART NO.					
			* 42" + 42"	* 42" + 36"	* 42" + 30"	* 36" + 36"	* 36" + 24"	* 30" + 30"
REF	1	CHAIN ASSEMBLY RH	282867-04	282867-10	282867-02		282867-06	
1	1	CHAIN	282866-02	282866-05	282866-01		282866-03	
2	1	CLEVIS PIN, 1/2" X 1-7/8" LG.	905136-01					
3	1	TEAR DROP ASSY, RH	280505-02					
3A	1	BEARING, SELF-LUBE	260078					
4	1	COTTER PIN, 1/8" X 1-1/2"	030177					
5	1	KEEP HANDS CLEAR (PLATE) (SEE DECAL SEC)	REF					
6	2	POP RIVET, 3/16" X .40" LG.	REF					

* PLATFORM + FLIPOVER DEPTH

PLATFORM, FLIPOVER, AND CHAIN ASSEMBLY - 1 (ALUMINUM)

MAXON[®] 11921 Slauson Ave. Santa Fe Springs, CA. 90670 (800) 227-4116 FAX (888) 771-7713



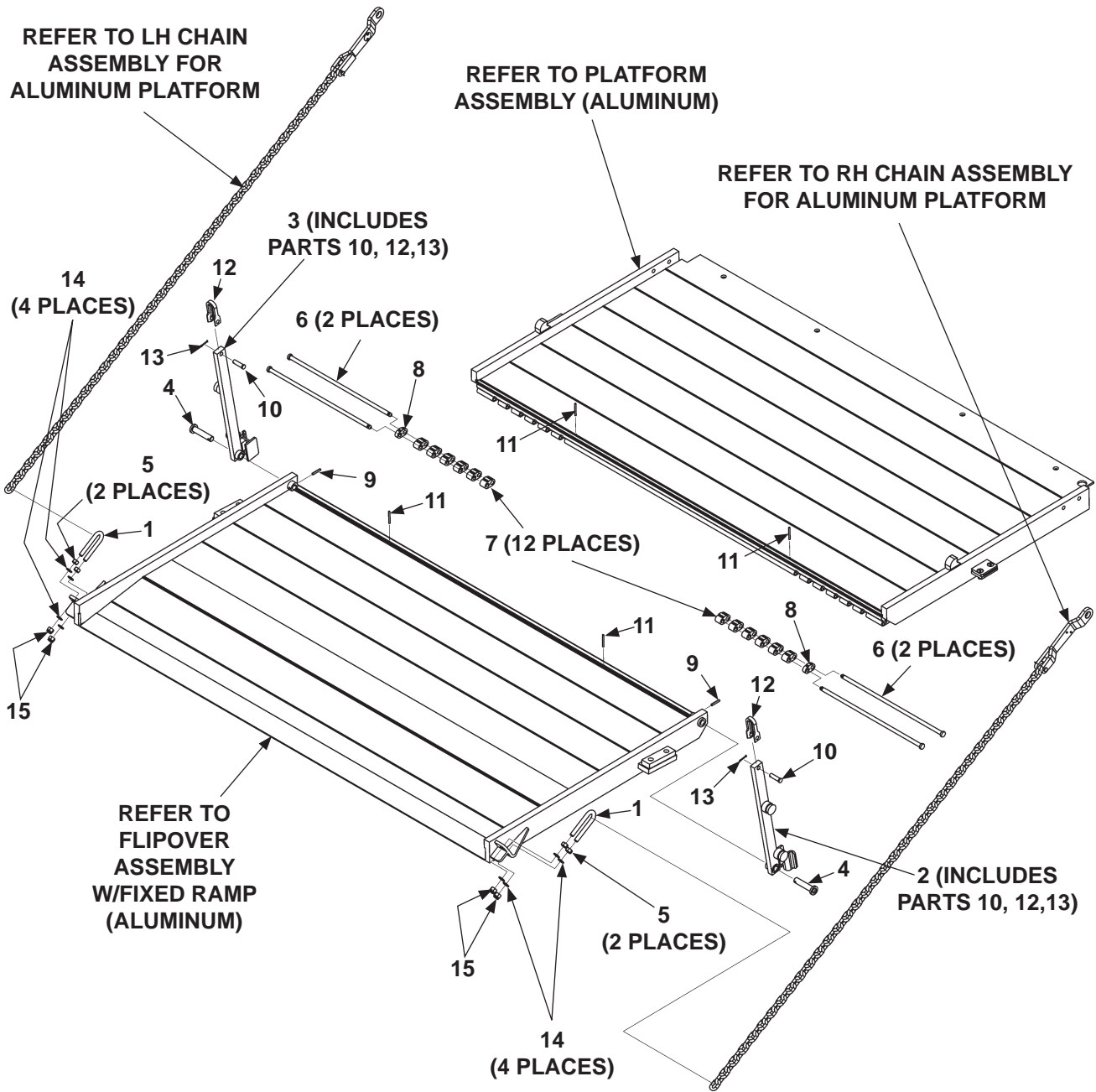
ITEM	QTY.	PART NO.	DESCRIPTION
1	2	282854-01	U-BOLT
2	1	280030-02	OPENER ASSEMBLY RH, 30" + 30" *
		280030-04	OPENER ASSEMBLY RH, 36" + 36" *
		280030-06	OPENER ASSEMBLY RH, 42" + 42" *
3	1	280030-01	OPENER ASSEMBLY LH, 30" + 30" *
		280030-03	OPENER ASSEMBLY LH, 36" + 36" *
		280030-05	OPENER ASSEMBLY LH, 42" + 42" *
4	2	280195	PIN WELDMENT, 3-5/8" LG.
5	4	901011-9	NUT, 1/2"
6	4	282366-01	PIN, HINGE
7	12	311046-10	LINK SPACER, 1" LG
8	2	311046-11	LINK SPACER, 1/2" LG
9	1	900064-13	BUTTON HEAD SCREW, 3/8"-16 X 1-1/2" LG, GRADE 8
10	1	900065-06	SOCKET HEAD SCREW, 3/8"-16 X 1-1/2" LG, GRADE 8
11	2	901002	NYLON LOCK NUT, 3/8"-16
12	2	902000-10	FLAT WASHER, 3/8"
13	2	905033-1	ROLL PIN, 1/4" X 1-1/2" LG.
14	2	905136-01	CLEVIS PIN, 1/2" X 1-7/8" LG, GRADE 8
15	4	904719-17	ROLL PIN, 3/16" X 2" LG.
16	1	280877-01	GUSSET
17	2	280644-01	ANCHOR SHACKLE
18	2	030805	COTTER PIN, 1/8" X 1" LG.
19	8	902000-14	FLAT WASHER, 1/2"
20	4	901010	NYLON LOCK NUT, 1/2"-13

* PLATFORM + FLIPOVER DEPTH

PLATFORM, FLIPOVER, AND CHAIN ASSEMBLY - 2 (ALUMINUM)

MAXON

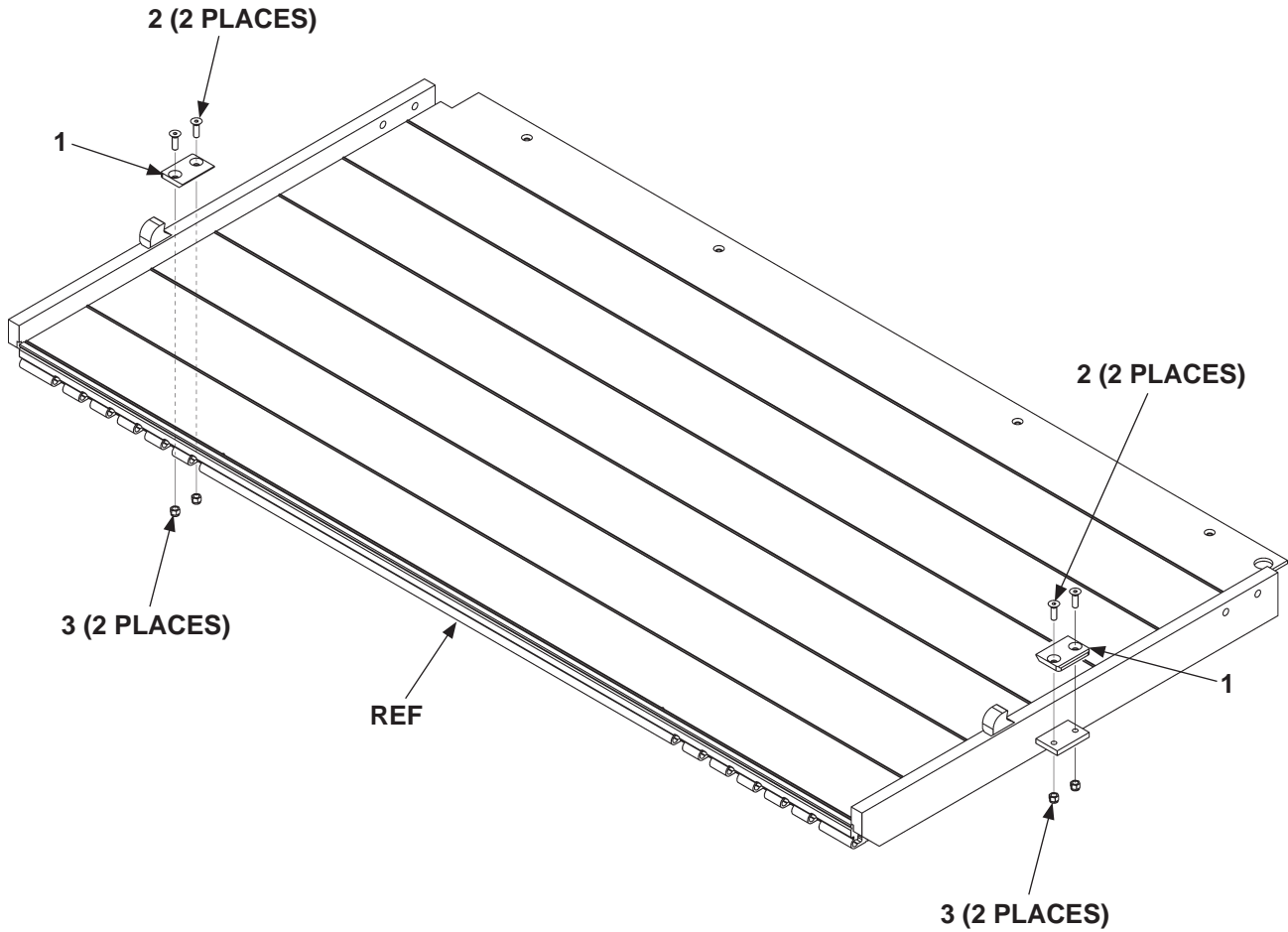
11921 Slauson Ave. Santa Fe Springs, CA. 90670 (800) 227-4116 FAX (888) 771-7713



ITEM	QTY.	PART NO.	DESCRIPTION
1	2	282854-01	U-BOLT
2	1	280030-04	OPENER ASSEMBLY RH, 36" + 36" *
		280030-06	OPENER ASSEMBLY RH, 42" + 42" *
3	1	280030-03	OPENER ASSEMBLY LH, 36" + 36" *
		280030-05	OPENER ASSEMBLY LH, 42" + 42" *
4	2	280195	PIN WELDMENT, 3-5/8" LG.
5	4	901011-9	NUT, 1/2"
6	4	282366-01	PIN, HINGE
7	12	311046-10	LINK SPACER, 1" LG
8	2	311046-11	LINK SPACER, 1/2" LG
9	2	905033-1	ROLL PIN, 1/4" X 1-1/2" LG.
10	2	905136-01	CLEVIS PIN, 1/2" X 1-7/8" LG, GRADE 8
11	4	904719-17	ROLL PIN, 3/16" X 2" LG.
12	2	280644-01	ANCHOR SHACKLE
13	2	030805	COTTER PIN, 1/8" X 1" LG.
14	8	902000-14	FLAT WASHER, 1/2"
15	4	901010	NYLON LOCK NUT, 1/2"-13

* PLATFORM + FLIPOVER DEPTH

PLATFORM ASSEMBLY (ALUMINUM)

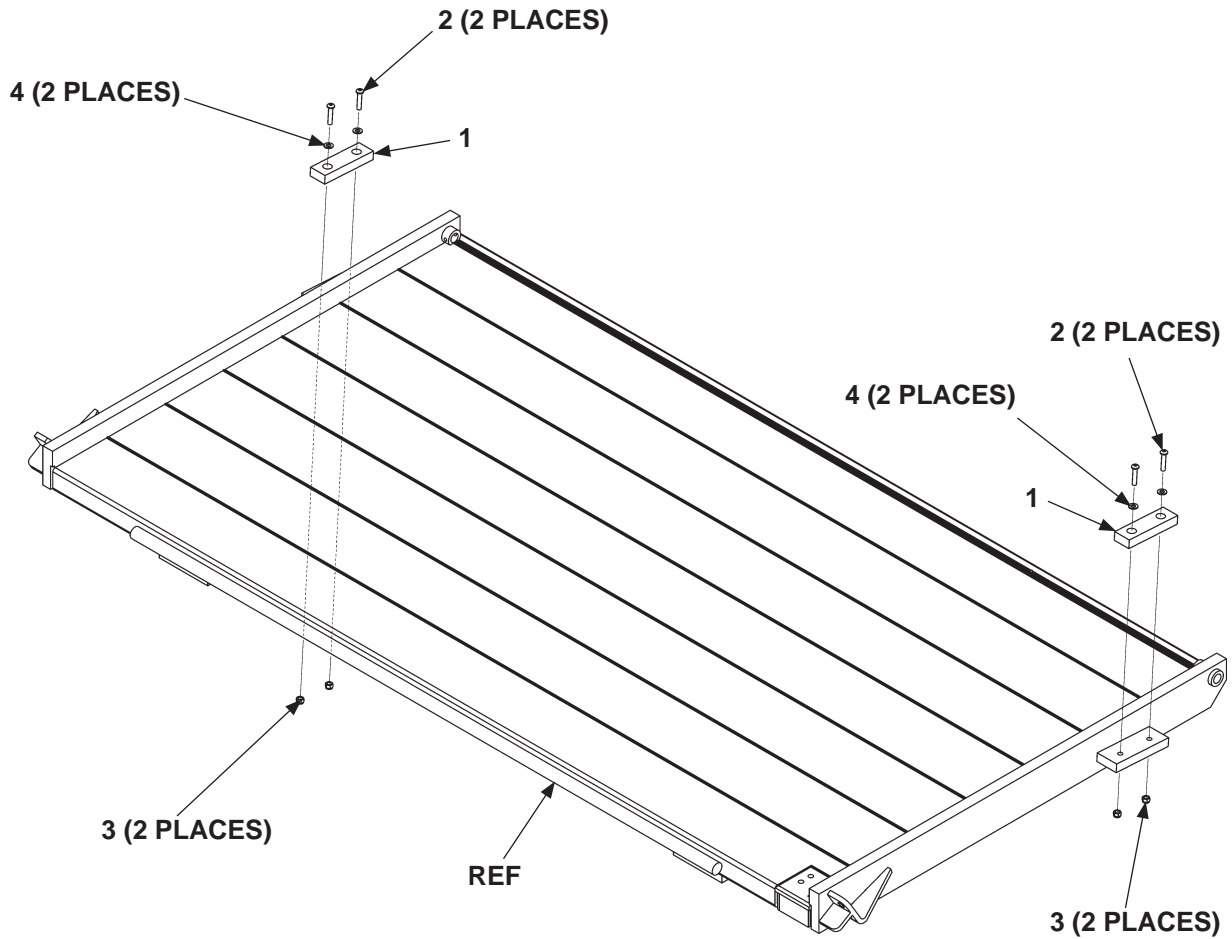


ITEM	QTY.	DESCRIPTION	PART NO.		
			30" DEEP	36" DEEP	42" DEEP
REF	1	PLATFORM, 96" WIDE VEHICLE	282368-01	282368-03	282368-05
		PLATFORM, 102" WIDE VEHICLE	282368-02	282368-04	282368-06
1	1	BRACKET	280027		
2	4	FLAT HEAD SOCKET SCREW, 3/8"-16 X 1-1/4" LG.	900040-5		
3	4	LOCK NUT, 3/8"-16	901002		

MAXON®

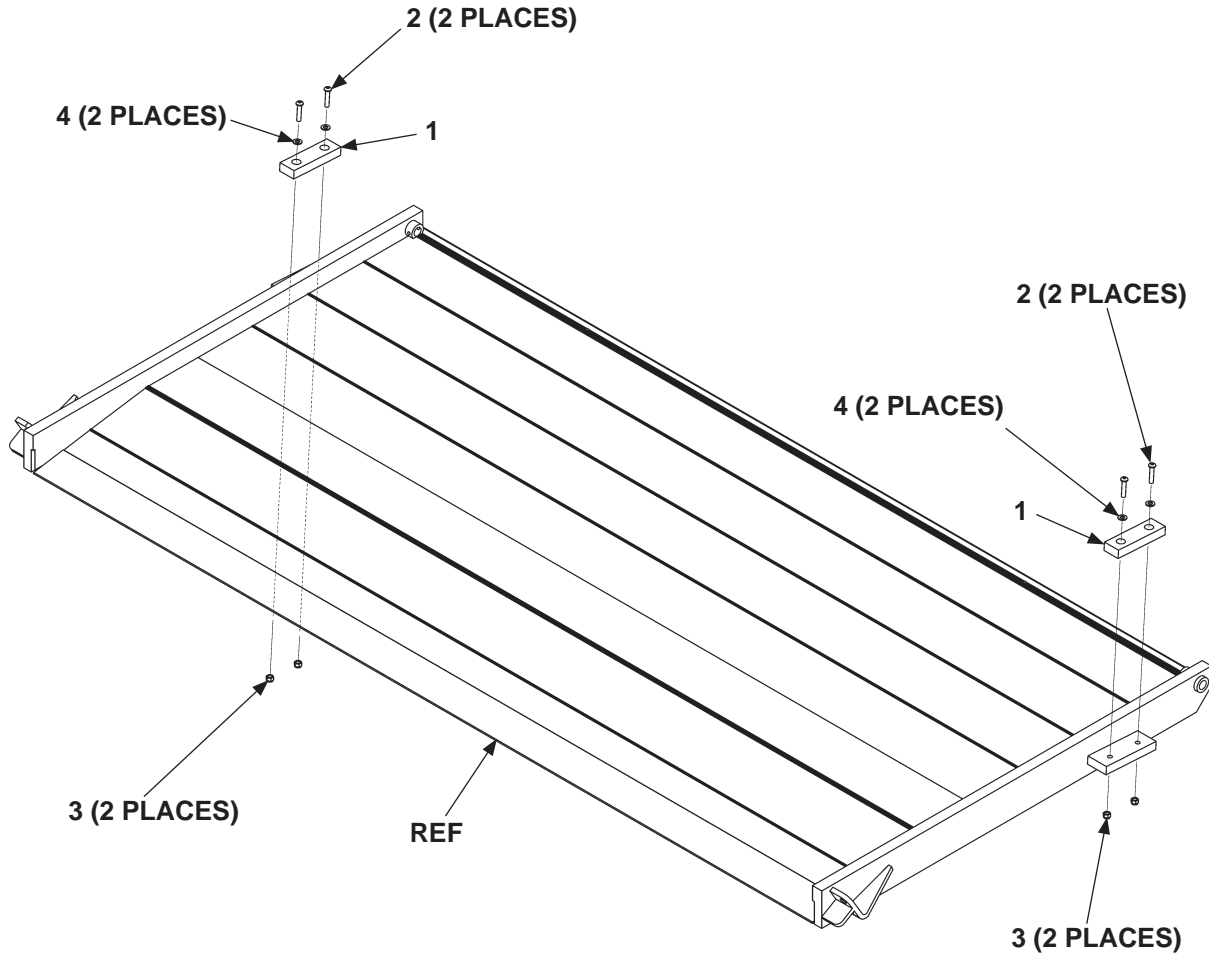
11921 Slauson Ave. Santa Fe Springs, CA. 90670 (800) 227-4116 FAX (888) 771-7713

FLIPOVER ASSEMBLY (ALUMINUM)



ITEM	QTY.	DESCRIPTION	PART NO.		
			30" DEEP	36" DEEP	42" DEEP
REF	1	FLIPOVER, 96" WIDE VEHICLE	282865-01	282865-03	282865-05
		FLIPOVER, 102" WIDE VEHICLE	282865-02	282865-04	282865-06
1	2	BUMPER	225278-02		
2	4	BUTTON SCREW, 5/16"-18 X 1-1/2" LG.	900001-5		
3	4	LOCK NUT, 5/16"-18	901001		
4	4	FLAT WASHER, 5/16"	902013-10		

FLIPOVER ASSEMBLY W/FIXED RAMP (ALUMINUM)



ITEM	QTY.	PART NO.	DESCRIPTION
REF	1	282370-03	FLIPOVER, 96" WIDE VEHICLE
		282370-04	FLIPOVER, 102" WIDE VEHICLE
1	2	225278-02	BUMPER
2	4	900001-5	BUTTON SCREW, 5/16"-18 X 1-1/2" LG.
3	4	901001	LOCK NUT, 5/16"-18
4	4	902013-10	FLAT WASHER, 5/16"

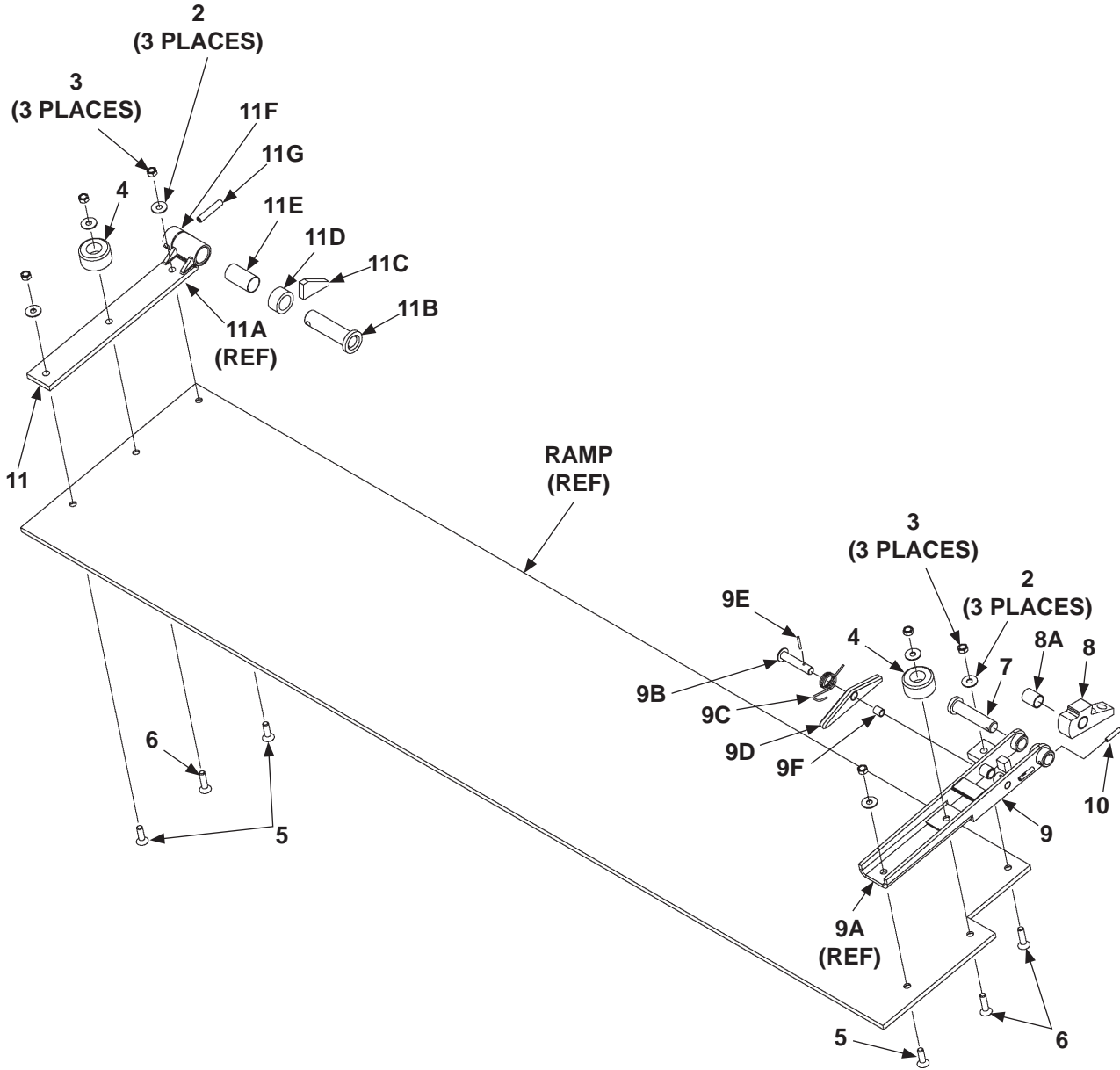
MAXON[®]

11921 Slauson Ave. Santa Fe Springs, CA. 90670 (800) 227-4116 FAX (888) 771-7713

THIS PAGE INTENTIONALLY LEFT BLANK

ALUMINUM RETENTION RAMP ASSEMBLY (FOR ALUMINUM PLATFORM)

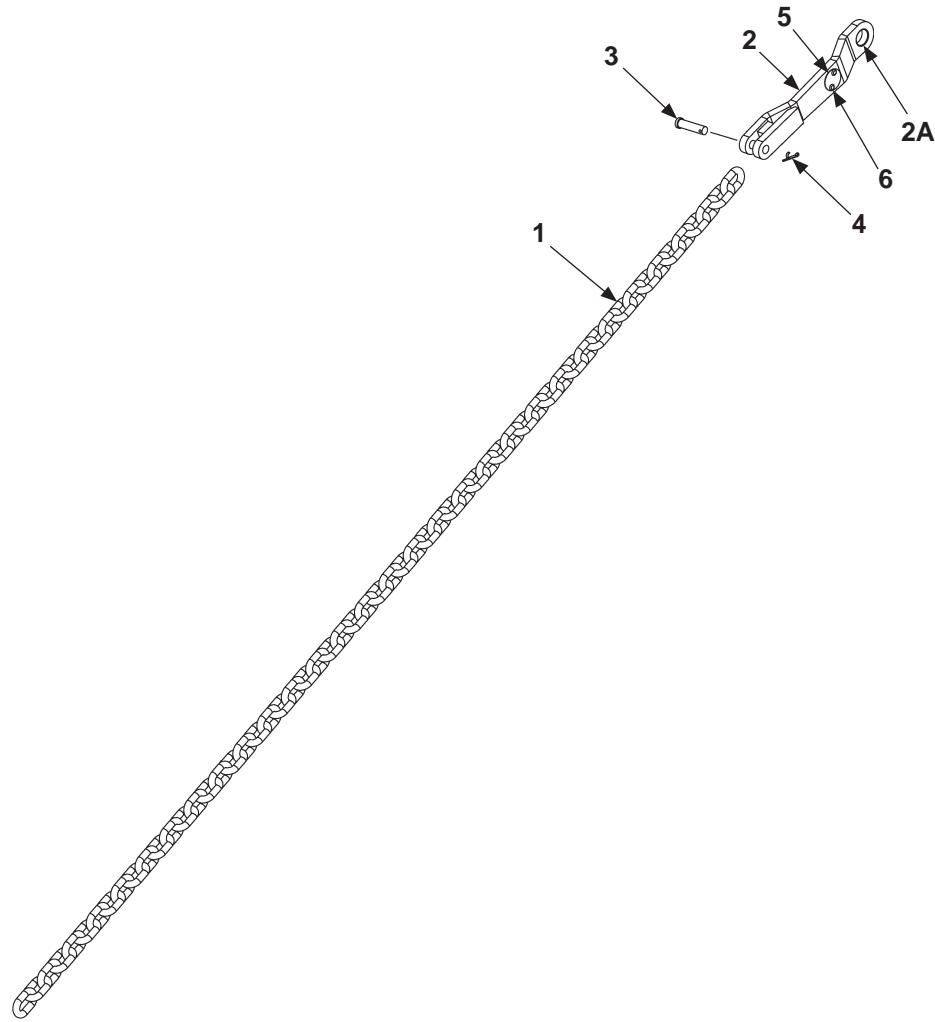
MAXON[®] 11921 Slauson Ave. Santa Fe Springs, CA. 90670 (800) 227-4116 FAX (888) 771-7713



ITEM	QTY.	PART NO.	DESCRIPTION
REF	1	264699-06	AL RET. RAMP ASSY, 16" (96" WIDE VEHICLE)
		264699-07	AL RET. RAMP ASSY, 16" (102" WIDE VEHICLE)
2	6	902001-2	LOCK WASHER, 3/8"
3	6	030955	LOCK NUT, 3/8"-16
4	2	253516	RUBBER BUMPER
5	3	900040-5	SOCKET FLAT HD SCREW, 3/8-16 X 1-1/4" LG, GRADE 8
6	3	900040-6	SOCKET FLAT HD SCREW, 3/8-16 X 1-1/2" LG, GRADE 8
7	1	264586	PIN WELDMENT, 3/4" LG.
8	1	264639	LOCKING CAM
8A	1	260917-06	BEARING, SELF LUBE
9	1	264572	HINGE ASSEMBLY RH
9A	1	REF	HINGE WELDMENT, RH
9B	1	264577	PIN WELDMENT, 1/2" LG.
9C	1	264638	TORSION SPRING, LH
9D	1	264547	LOCKING ARM ASSY
9E	1	030406	ROLL PIN, 1/8" x 1" LG.
9F	1	253542	BEARING, SELF LUBE
10	1	905033-2	ROLL PIN, 1/4" X 1-1/4" LG.
11	1	263463	HINGE ASSEMBLY LH
11A	1	REF	HINGE ARM WELDMENT
11B	1	253528	PIN WELDMENT
11C	1	263467	GUSSET
11D	1	091884-10	ROUND TUBE, ALUMINUM, 3/4" LG.
11E	1	253541	BEARING, SELF LUBE
11F	1	263466	PIN COLLAR
11G	1	221416	ROLL PIN, 3/8" X 2" LG.

MAXON[®]

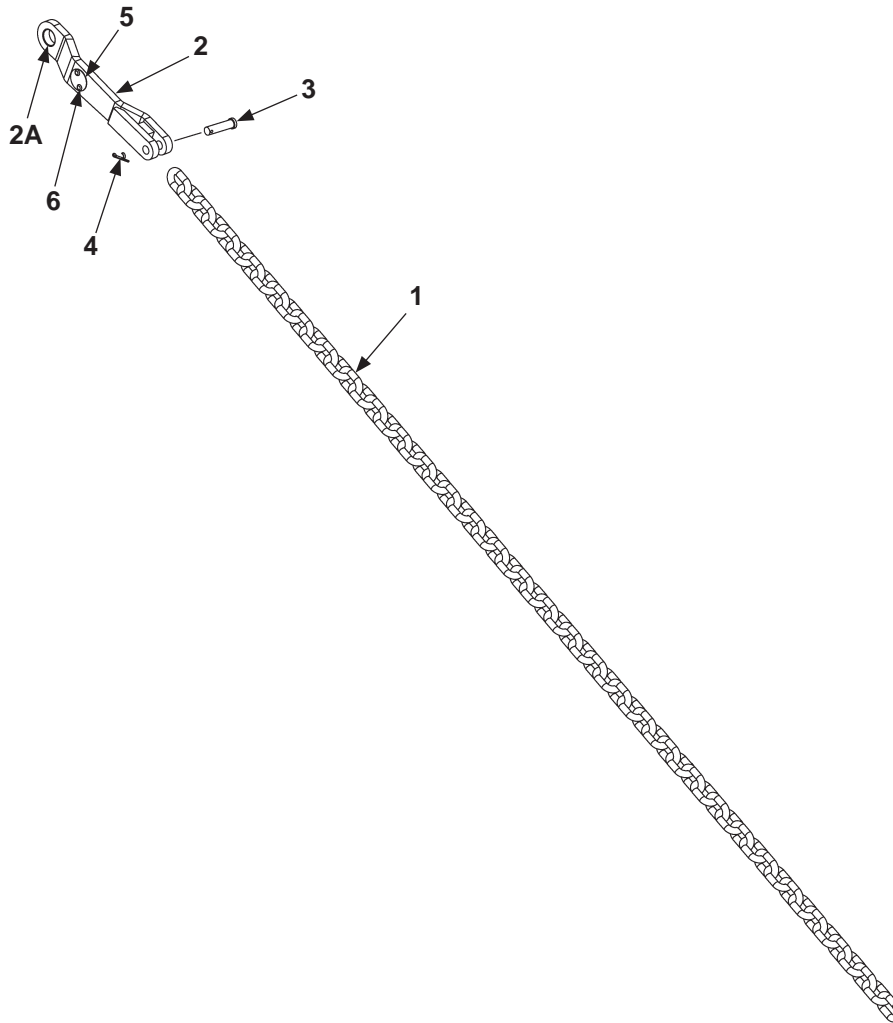
11921 Slauson Ave. Santa Fe Springs, CA. 90670 (800) 227-4116 FAX (888) 771-7713

LH CHAIN ASSEMBLY (FOR ALUMINUM PLATFORM)

ITEM	QTY.	DESCRIPTION	PART NO.				
			* 30" + 30"	* 36" + 36"	* 36" + 24" FIXED RAMP	* 42" + 42"	* 42" + 30" FIXED RAMP
REF	1	CHAIN ASSEMBLY LH	282867-05	282867-01		282867-03	
1	1	CHAIN	282866-03	282866-01		282866-02	
2	1	TEAR DROP ASSY. LH	280505-01				
2A	1	BEARING, SELF-LUBE	260078				
3	1	CLEVIS PIN, 1/2" X 1-7/8" LG, GRADE 8	905136-01				
4	1	COTTER PIN, 1/8" X 1-1/2" LG.	030177				
5	1	KEEP HANDS CLEAR (PLATE) (SEE DECAL SECTION)	REF				
6	2	POP RIVET, 3/16" X .40" LG.	REF				

* PLATFORM + FLIPOVER DEPTH

RH CHAIN ASSEMBLY (FOR ALUMINUM PLATFORM)



ITEM	QTY.	DESCRIPTION	PART NO.			
			* 30" + 30"	* 36" + 36"	* 36" + 24" FIXED RAMP	* 42" + 42"
REF	REF	CHAIN ASSEMBLY RH	282867-06	282867-02		282867-04
1	1	CHAIN	282866-03	282866-01		282866-02
2	1	TEAR DROP ASSY. RH	280505-02			
2A	1	BEARING, SELF-LUBE	260078			
3	1	CLEVIS PIN, 1/2" X 1-7/8" LG, GRADE 8	905136-01			
4	1	COTTER PIN, 1/8" X 1-1/2" LG.	030177			
5	1	KEEP HANDS CLEAR (PLATE) (SEE DECAL SECTION)	REF			
6	2	POP RIVET, 3/16" X .40" LG.	REF			

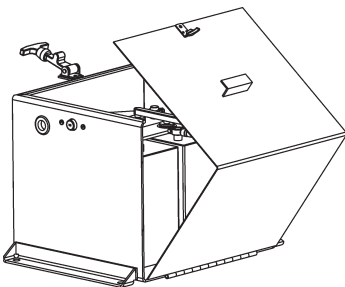
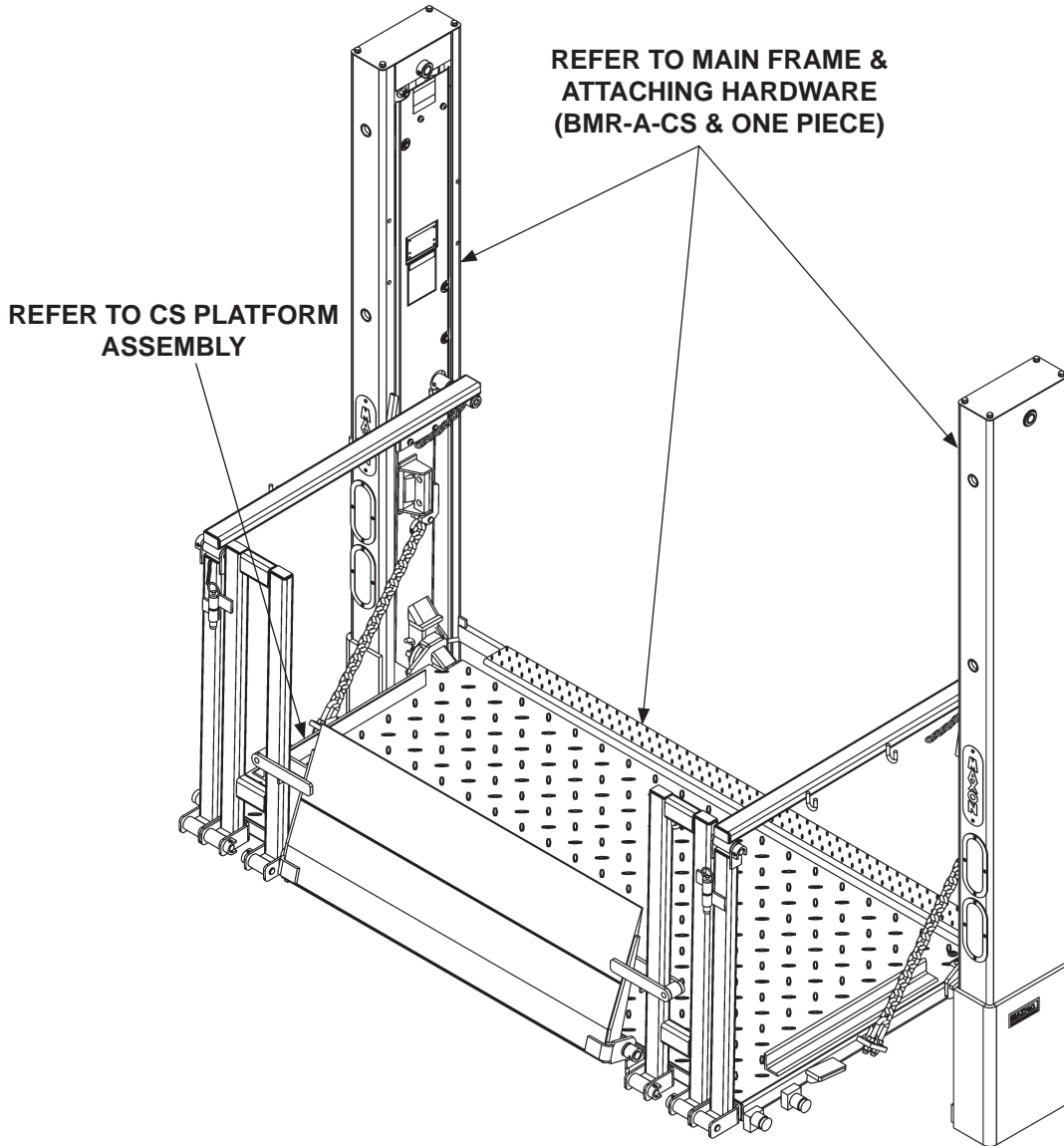
* PLATFORM + FLIPOVER DEPTH

BMR-A-CS & ONE PIECE LIFTGATE SECTION

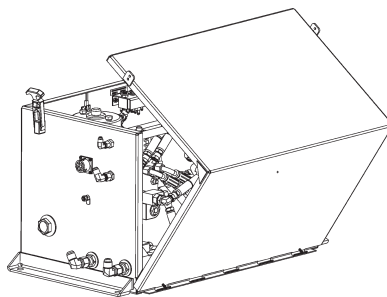
BMR-A-CS LIFTGATE

MAXON[®]

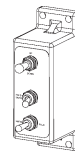
11921 Slauson Ave. Santa Fe Springs, CA. 90670 (800) 227-4116 FAX (888) 771-7713



BATTERY BOX
(REFER TO ELECTRICAL COMPONENTS)

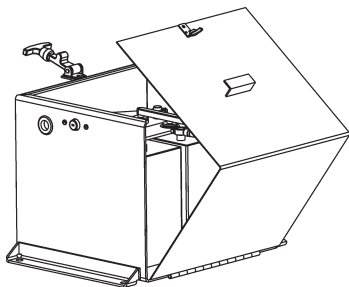
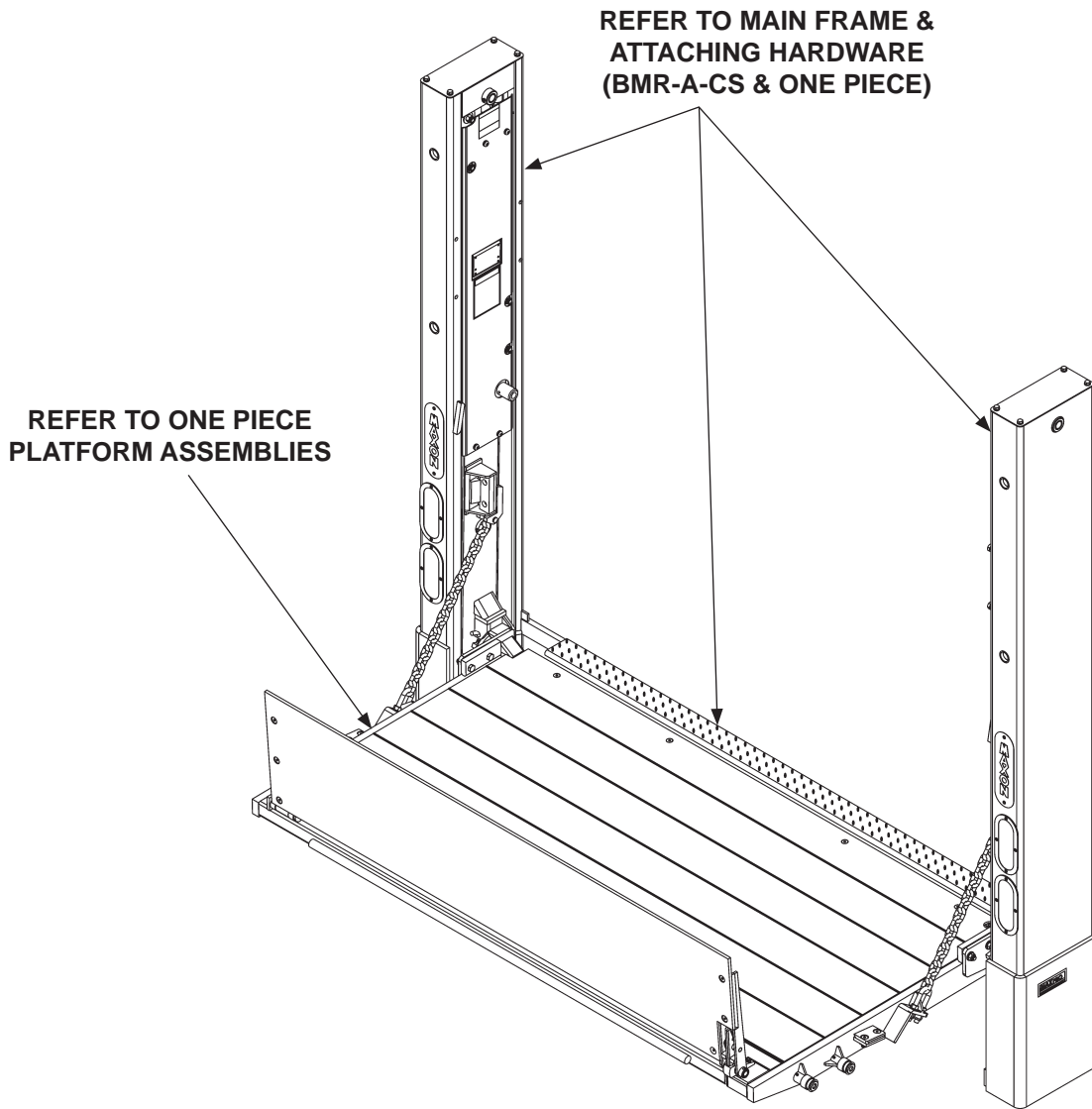


PUMP BOX
(REFER TO HYDRAULIC COMPONENTS)

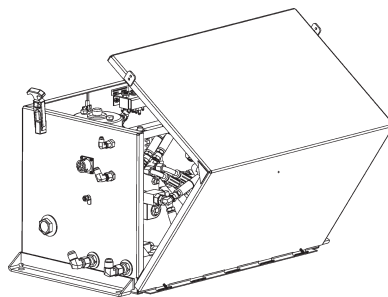


CONTROL SWITCH
(REFER TO ELECTRICAL COMPONENTS)

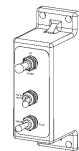
BMR-A-ONE PIECE LIFTGATE



BATTERY BOX
(REFER TO ELECTRICAL COMPONENTS)



PUMP BOX
(REFER TO HYDRAULIC COMPONENTS)

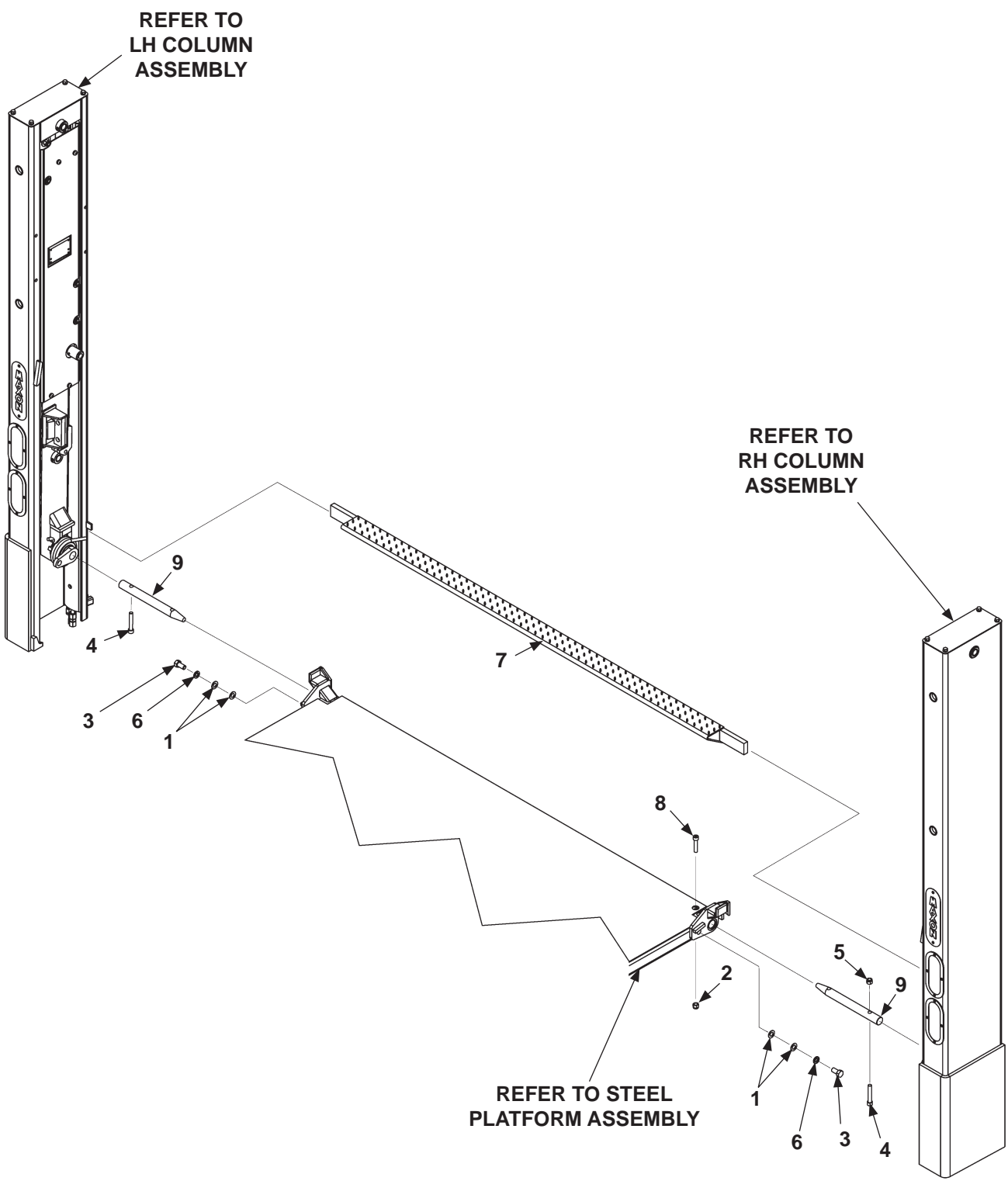


CONTROL SWITCH
(REFER TO ELECTRICAL COMPONENTS)

MAXON® 11921 Slauson Ave. Santa Fe Springs, CA. 90670 (800) 227-4116 FAX (888) 771-7713

MAIN FRAME & ATTACHING HARDWARE (BMR-A-CS & ONE PIECE PLATFORM) - STEEL PLATFORM

MAXON® 11921 Slauson Ave. Santa Fe Springs, CA. 90670 (800) 227-4116 FAX (888) 771-7713

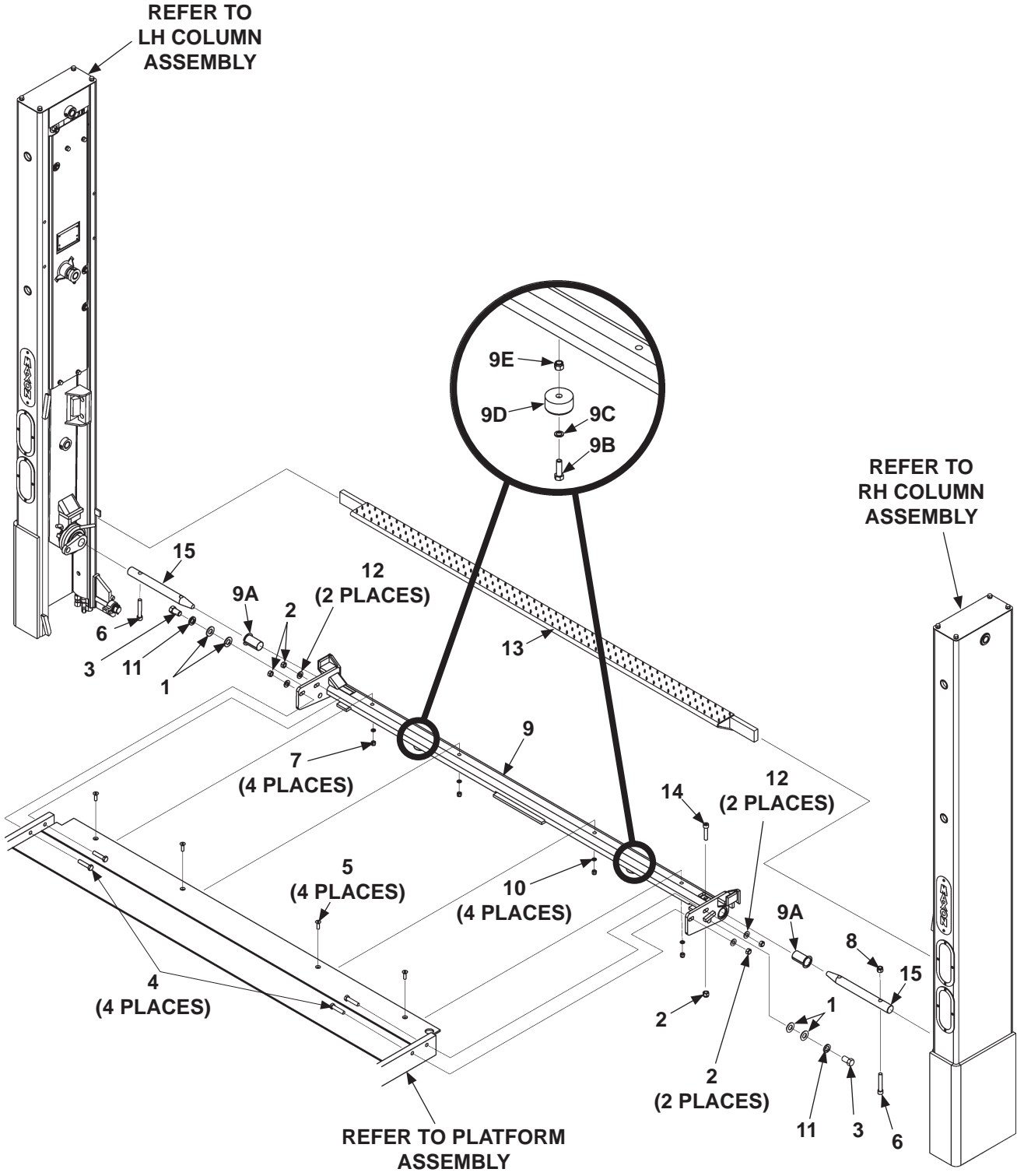


ITEM	QTY.	PART NO.	DESCRIPTION
1	4	902000-20	FLAT WASHER, 3/4"
2	1	040066	LOCK NUT, 1/2"-13
3	2	260181	BOLT, 3/4"-10 X 1-1/4" LG.
4	2	900037-11	SOCKET HEAD CAP SCREW, 1/2"-13 X 2-1/4" LG, GRADE 8
5	1	901008	NYLON LOCK NUT, 1/2"-20
6	2	902011-9	LOCK WASHER, 3/4"
7	1	280340-03	EXTENSION PLATE, 96" UNIT
		280340-04	EXTENSION PLATE, 102" UNIT
8	1	900036-10	SOCKET HEAD CAP SCREW, 1/2"-20 X 3" LG, GRADE 8
9	2	280103	PIN, 13" LG, STAINLESS STEEL

MAXON[®] 11921 Slauson Ave. Santa Fe Springs, CA. 90670 (800) 227-4116 FAX (888) 771-7713

MAIN FRAME & ATTACHING HARDWARE (BMR-A-CS & ONE PIECE PLATFORM) - ALUMINUM PLATFORM

MAXON® 11921 Slauson Ave. Santa Fe Springs, CA. 90670 (800) 227-4116 FAX (888) 771-7713



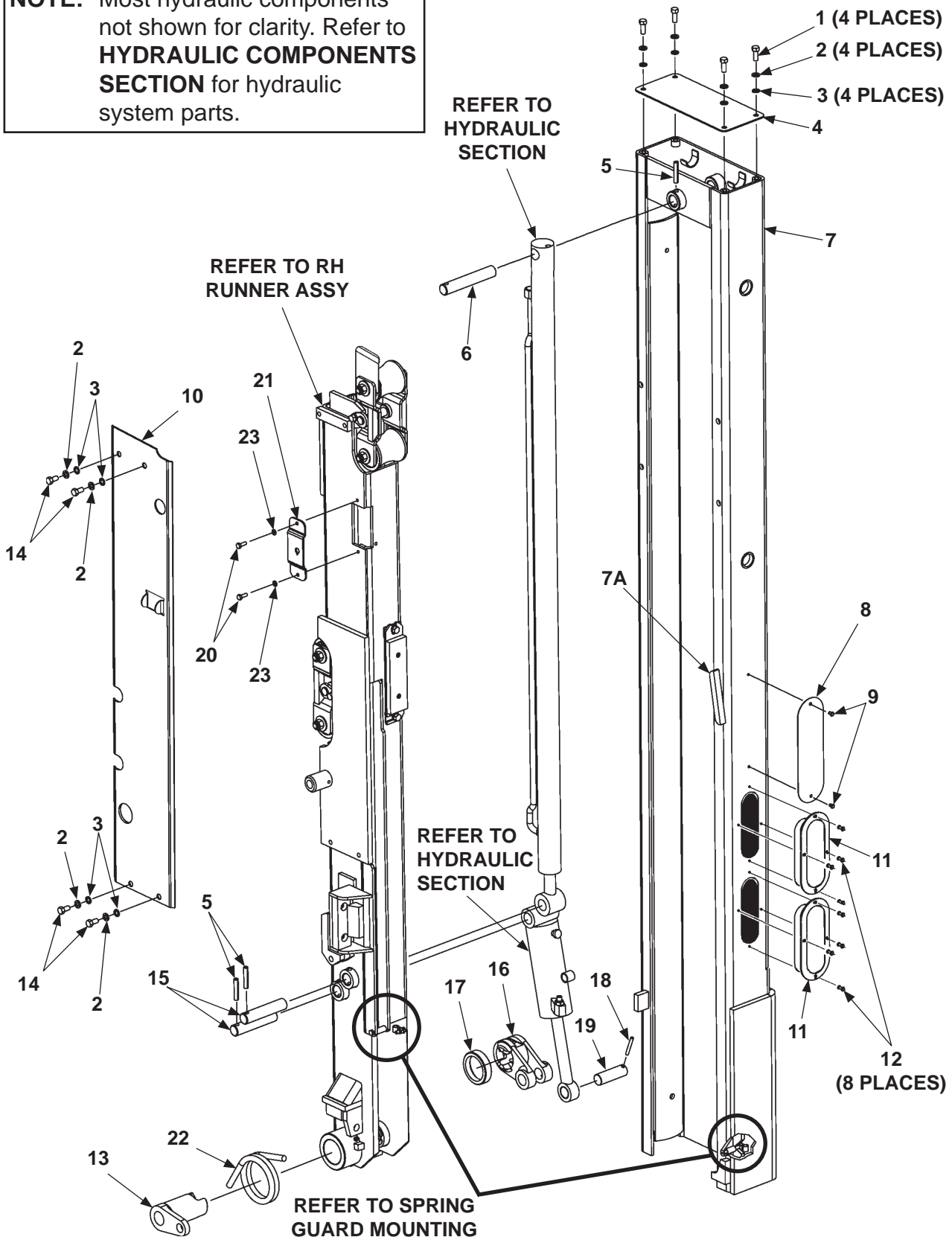
ITEM	QTY.	PART NO.	DESCRIPTION
1	4	902000-20	FLAT WASHER, 3/4"
2	5	040066	LOCK NUT, 1/2"-13
3	2	260181	BOLT, 3/4"-10 X 1-1/4" LG,
4	4	900035-5	HEX HEAD CAP SCREW, 1/2"-13 X 2" LG, GRADE 8
5	4	900040-5	SOCKET HEAD SCREW, FLAT, 3/8"-16 X 1-1/4" LG.
6	2	900037-11	SOCKET HEAD CAP SCREW, 1/2"-13 X 2-1/4" LG, GRADE 8
7	4	901002	NYLON LOCK NUT, 3/8"-16
8	1	901008	NYLON LOCK NUT, 1/2"-20
9	1	282622-01	CONNECTOR BAR ASSEMBLY, 96" WIDE
		282622-02	CONNECTOR BAR ASSEMBLY, 102" WIDE
9A	2	905200	BEARING, SELF LUBE, 2-1/4" I.D. X 2-1/2" LG.
9B	2	900014-5	HEX HEAD BOLT, 3/8"-16 X 1-1/4" LG.
9C	2	902000-10	FLAT WASHER, 3/8"
9D	2	253516	RUBBER BUMPER
9E	2	901002	NYLON LOCK NUT, 3/8"-16
10	4	902001-2	FLAT WASHER, 3/8"
11	2	902011-9	LOCK WASHER, 3/4"
12	4	902013-13	FLAT WASHER, 1/2"
13	1	280340-03	EXTENSION PLATE, 96" UNIT
		280340-04	EXTENSION PLATE, 102" UNIT
14	1	900036-10	SOCKET HEAD CAP SCREW, 1/2"-20 X 3" LG, GRADE 8
15	2	280103	PIN, 13" LG, STAINLESS STEEL

RH COLUMN ASSEMBLY (BMR-A-CS & ONE PIECE)

NOTE: Most hydraulic components not shown for clarity. Refer to **HYDRAULIC COMPONENTS SECTION** for hydraulic system parts.

MAXON

11921 Slauson Ave. Santa Fe Springs, CA. 90670 (800) 227-4116 FAX (888) 771-7713

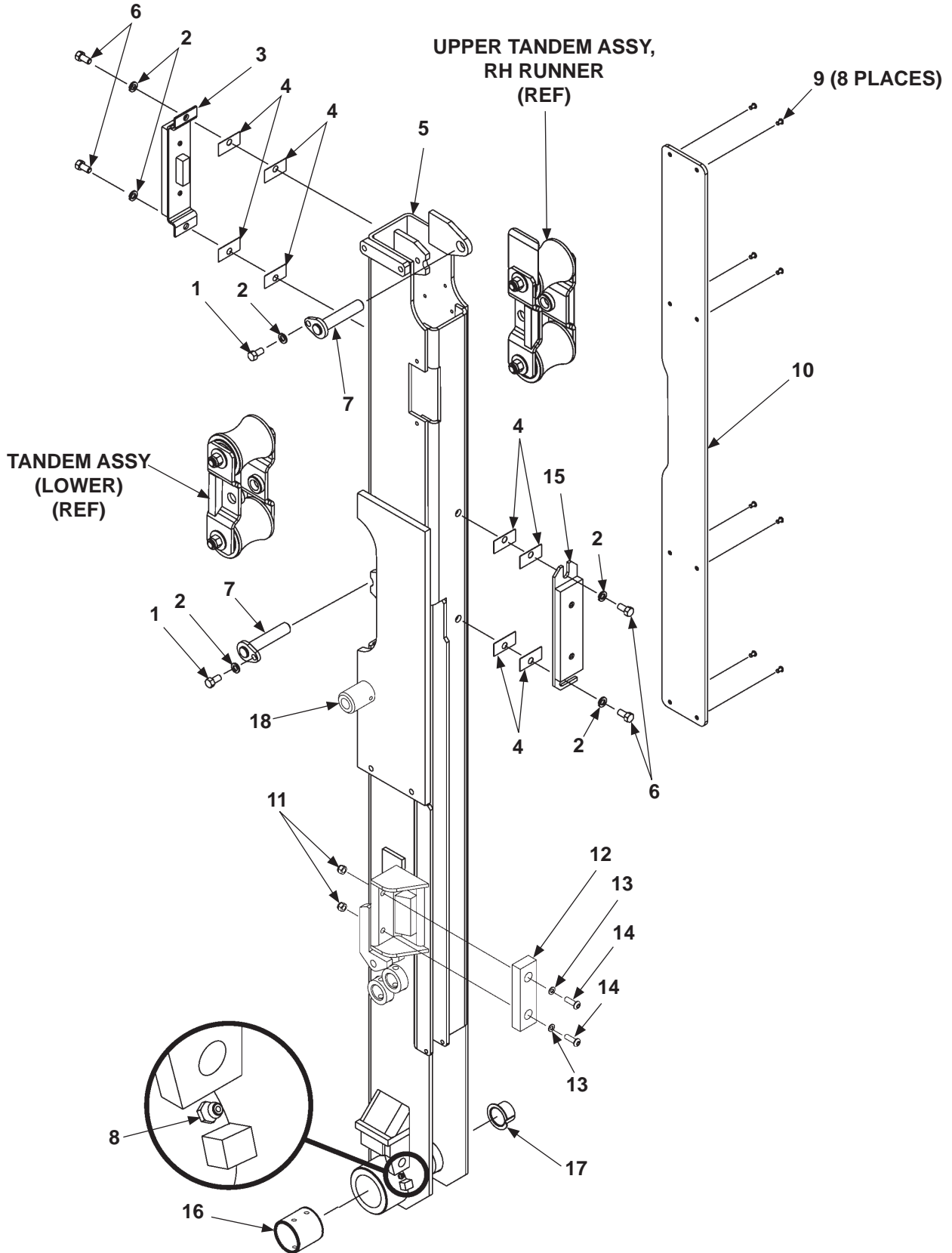


ITEM	QTY.	PART NO.	DESCRIPTION
REF	1	281607-01	RH COLUMN ASSEMBLY
1	4	900014-4	HEX HEAD BOLT, 3/8"-16 X 1" LG, GRADE 8
2	8	902011-4	LOCK WASHER, 3/8"
3	8	902000-10	FLAT WASHER, 3/8"
4	1	263114	COLUMN TOP COVER
5	3	221416	ROLL PIN, 3/8" X 2" LG.
6	1	263457	PIN, 5-7/8" LG.
7	1	281609-01	RH COLUMN
7A	1	280018	LOCKING FLAT
8	1	260478	MAXON PLATE, 3" X 10" LG.
9	2	207644	POP RIVET, 3/16" X .40" LG.
10	1	268544-01	COLUMN SIDE COVER
11	2	265924-01	LIGHT, STOP/TAIL/TURN LED
12	8	904005-2	POP RIVET, STAINLESS STEEL, 3/16" X 9/16" LG.
13	1	260516-01	COUPLING OUTSIDE, MACHINED
14	4	900064-02	BUTTON HEAD SCREW, 3/8"-16 X 5/8" LG, GRADE 8
15	2	253590	PIN, 4-3/4" LG.
16	1	260517	COUPLING INSIDE CASTING
17	1	253695	BUSHING, 3/4"
18	1	905033-5	ROLL PIN, 1/4" X 2" LG.
19	1	253772	PIN, 3-3/32" LG. (COUPLING AND CYLINDER)
20	2	900000-1	HEX HEAD BOLT, 1/4"-20 X 5/8" LG, GRADE 8
21	1	253694	SWITCH PLATE
22	1	260179	TORSION SPRING
23	2	902011-2	LOCK WASHER, 1/4"

RH RUNNER ASSEMBLY (BMR-A-CS & ONE PIECE)

MAXON

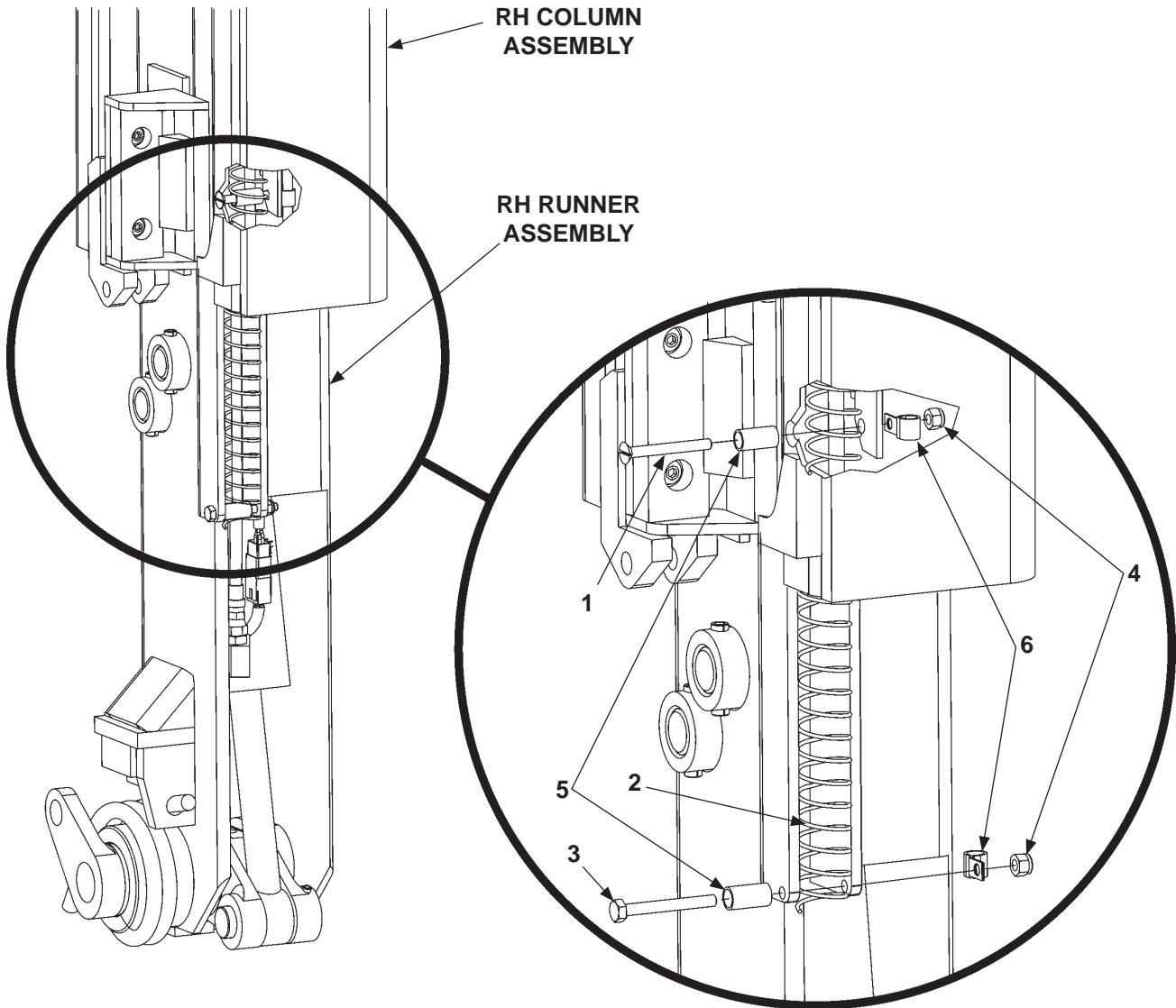
11921 Slauson Ave. Santa Fe Springs, CA. 90670 (800) 227-4116 FAX (888) 771-7713



ITEM	QTY.	PART NO.	DESCRIPTION
REF	1	280710-01	RH RUNNER ASSEMBLY
1	2	900014-3	HEX HEAD CAP SCREW, 3/8"-16 X 3/4" LG, GRADE 8
2	6	902011-4	LOCK WASHER, 3/8"
3	1	263221	UPPER PAD SUPPORT ASSEMBLY
4	A/R	263030	SPACER
5	1	280708-01	RH RUNNER
6	4	900014-12	HEX HEAD CAP SCREW, 3/8"-16 X 5/8" LG, GRADE 8
7	2	280067	ARM WELDMENT
8	1	224342	GREASE FITTING 1/4"
9	8	207644	POP RIVET, 3/16" X .40" LG.
10	1	253543	PAD
11	2	901001	NYLON LOCK NUT, 5/16"-18
12	1	225278-02	BUMPER
13	2	902013-10	FLAT WASHER, 5/16"
14	2	900001-4	BUTTON HEAD SCREW, 5/16"-18 X 1-1/4" LG.
15	1	263225	LOWER PAD SUPPORT ASSEMBLY
16	1	908011-01	BEARING, SELF LUBE, 2-1/4" I.D. X 2-1/8" LG.
17	1	253595	BEARING, SELF LUBE, 1-1/8" I.D. X 1" LG.
18	1	280309-01	BUSHING

NOTE: A/R means As Required.

SPRING GUARD MOUNTING

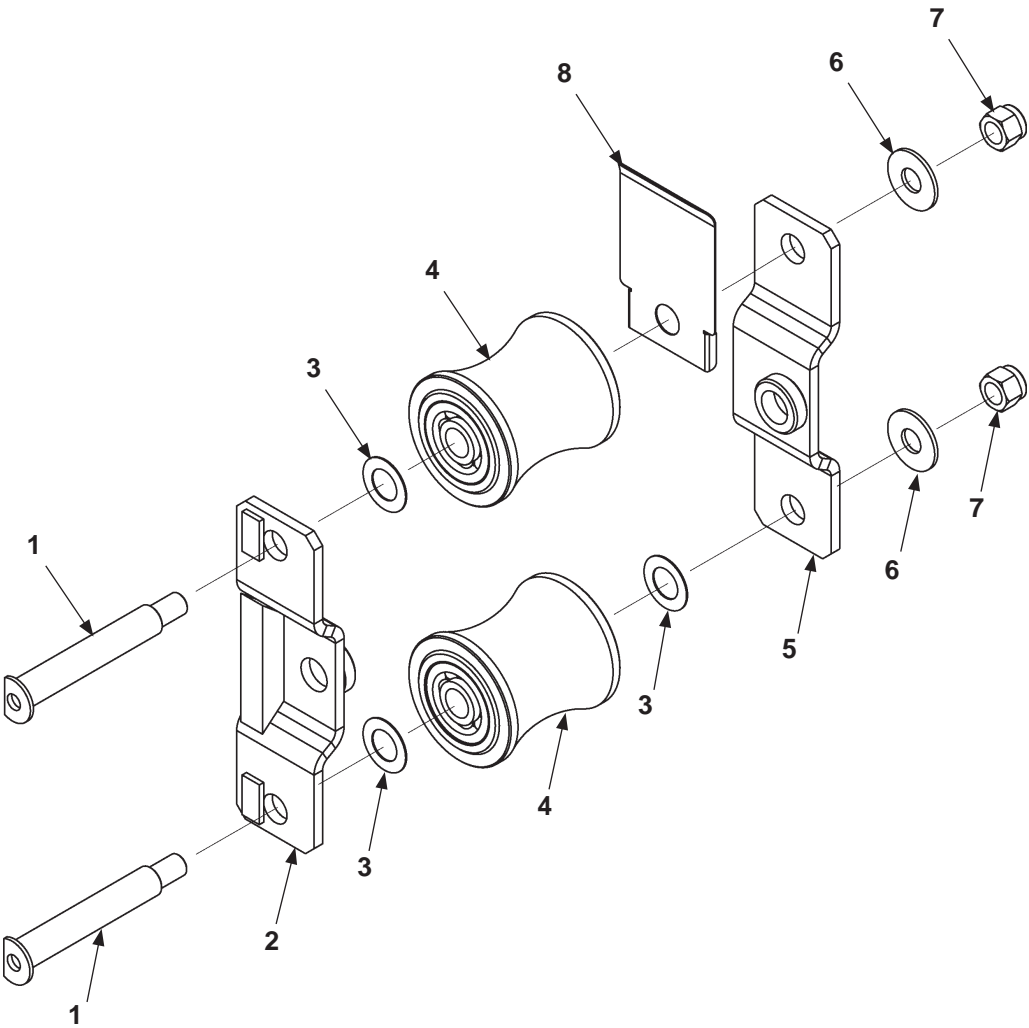


ITEM	QTY.	PART NO.	DESCRIPTION
1	1	260299	FLAT HEAD SCREW, 1/4"-20 X 2-1/2" LG.
2	1	253603-01	SPRING GUARD
3	1	900000-9	HEX HEAD BOLT, 1/4"-20 X 2-1/4" LG, GRADE 8
4	2	901000	NYLON LOCK NUT, 1/4"-20
5	2	253621	BUSHING, 1/2" DIA. X 1" LG.
6	2	214663	CLAMP, #8 RUBBER LOOM

MAXON[®]

11921 Slauson Ave. Santa Fe Springs, CA. 90670 (800) 227-4116 FAX (888) 771-7713

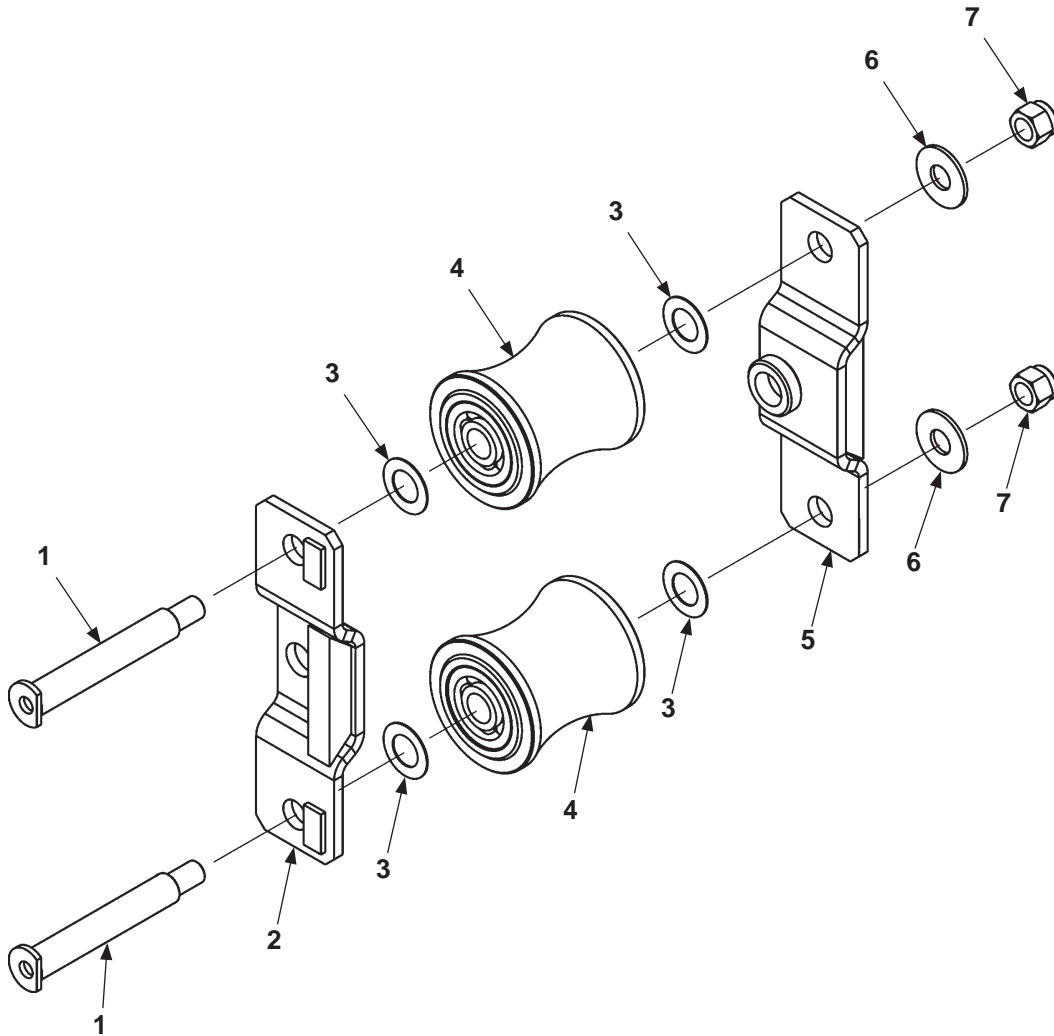
UPPER TANDEM ASSEMBLY, RH RUNNER



ITEM	QTY.	PART NO.	DESCRIPTION
REF	1	280055-02	UPPER TANDEM ASSEMBLY, RH RUNNER
1	2	253509-01	ROLLER AXLE
2	1	280064	ROLLER BRACKET
3	3	261182	FLAT WASHER, .72" I.D. X 1-1/4" O.D. STAINLESS STEEL
4	2	253550-100	ROLLER
5	1	280063	ROLLER BRACKET
6	2	902014	FLAT WASHER, 5/8" I.D. X 1-3/8" O.D.
7	2	901008	NYLON LOCK NUT, 1/4"-20
8	1	280851-01	ROLLER COVER

MAXON[®] 11921 Slauson Ave. Santa Fe Springs, CA. 90670 (800) 227-4116 FAX (888) 771-7713

TANDEM ASSEMBLY (LOWER)



ITEM	QTY.	PART NO.	DESCRIPTION
REF	1	280055	LOWER TANDEM ASSEMBLY
1	2	253509-01	ROLLER AXLE
2	1	280064	ROLLER BRACKET
3	4	261182	FLAT WASHER, .72" I.D. X 1-1/4" O.D. STAINLESS STEEL
4	2	253550-100	ROLLER
5	1	280063	ROLLER BRACKET
6	2	902014	FLAT WASHER, 5/8" I.D. X 1-3/8" O.D.
7	2	901008	NYLON LOCK NUT, 1/4"-20

MAXON[®]

11921 Slauson Ave. Santa Fe Springs, CA. 90670 (800) 227-4116 FAX (888) 771-7713

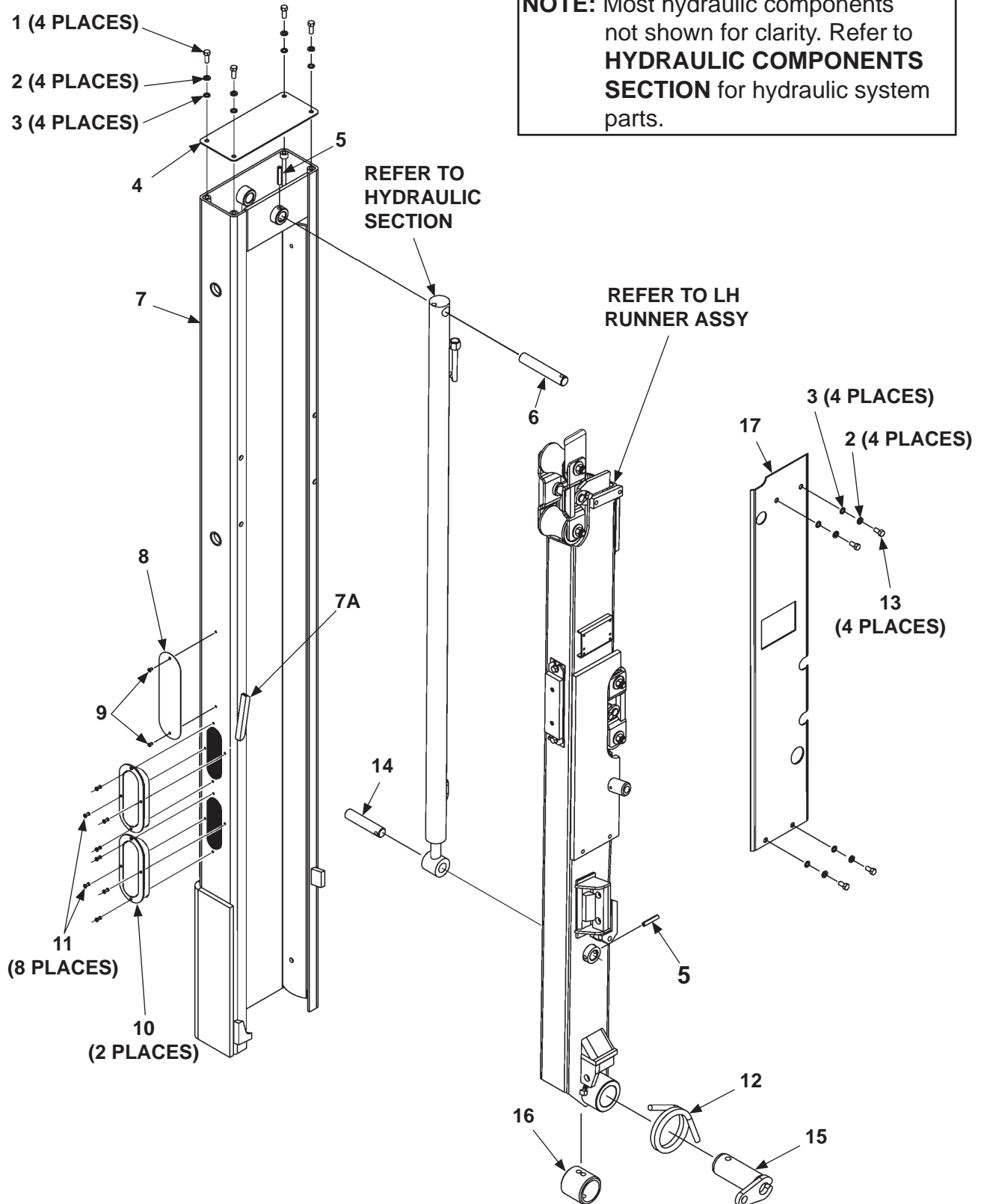
THIS PAGE INTENTIONALLY LEFT BLANK

LH COLUMN ASSEMBLY (BMR-A-CS & ONE PIECE)

MAXON

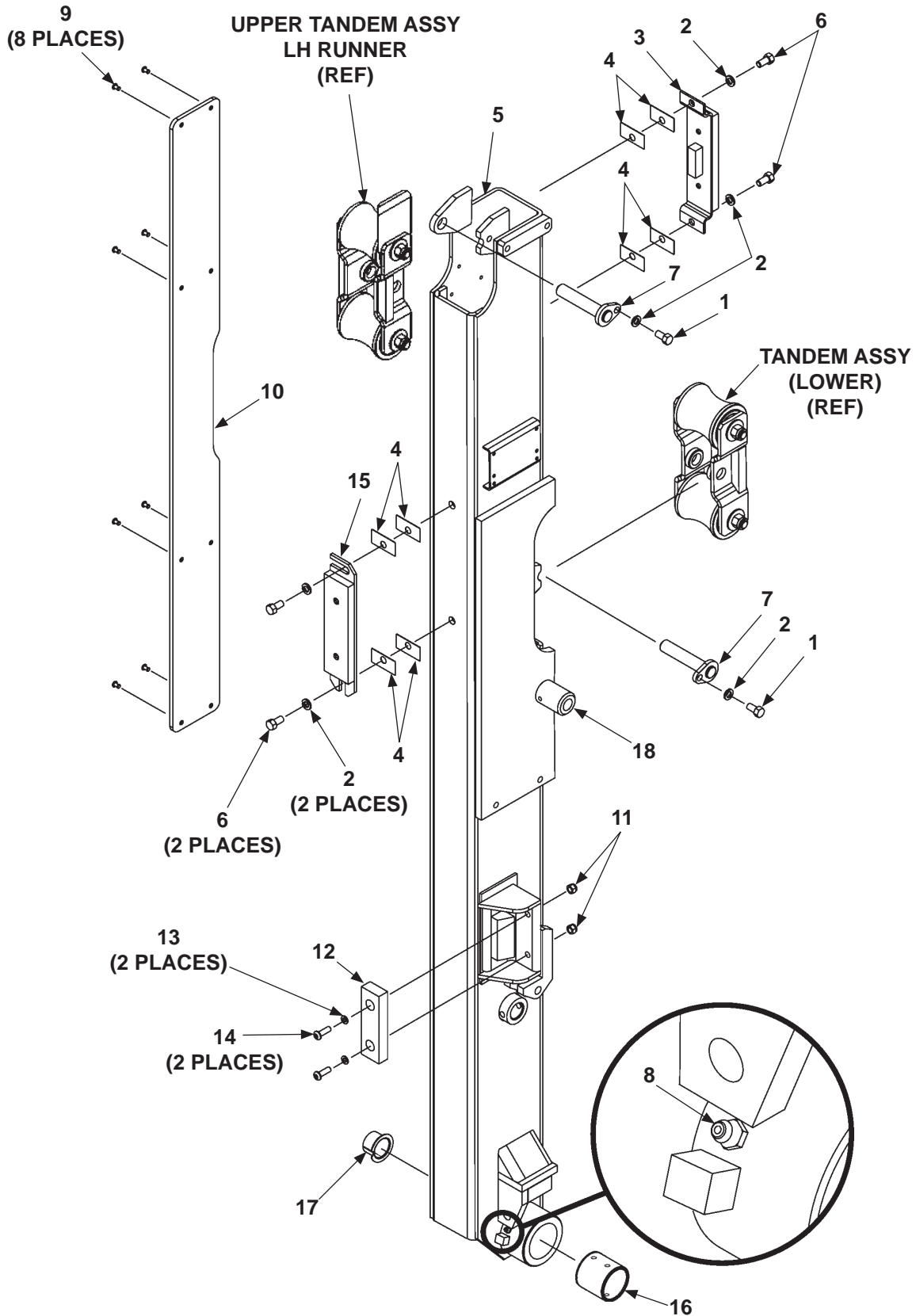
11921 Slauson Ave. Santa Fe Springs, CA. 90670 (800) 227-4116 FAX (888) 771-7713

NOTE: Most hydraulic components not shown for clarity. Refer to **HYDRAULIC COMPONENTS SECTION** for hydraulic system parts.



ITEM	QTY.	PART NO.	DESCRIPTION
REF	1	281606-01	LH COLUMN ASSEMBLY
1	4	900014-4	HEX HEAD CAP SCREW, 3/8"-16 X 1" LG, GRADE 8
2	8	902011-4	LOCK WASHER, 3/8"
3	8	902000-10	FLAT WASHER, 3/8"
4	1	263114	COLUMN TOP COVER
5	2	221416	ROLL PIN, 3/8" X 2" LG.
6	1	263457	PIN, 5-7/8" LG.
7	1	281608-01	LH COLUMN
7A	1	280018	LOCKING FLAT
8	1	260478	MAXON PLATE, 3" WIDE X 10" LG.
9	2	207644	POP RIVET, 3/16" X .40" LG.
10	2	265924-01	LIGHT, STOP/TAIL/TURN LED
11	8	904005-2	POP RIVET, STAINLESS STEEL, 3/16" X 9/16" LG.
12	1	280620-01	TORSION SPRING
13	4	900064-02	BUTTON HEAD SCREW, 3/8"-16 X 5/8" LG, GRADE 8
14	1	253590	PIN, 4-3/4" LG.
15	1	280623-01	COUPLING LH, MACHINED
16	1	253696	PIN COLLAR, 2-3/4"
17	1	280696-01	COLUMN COVER, LH

LH RUNNER ASSEMBLY (BMR-A-CS & ONE PIECE)

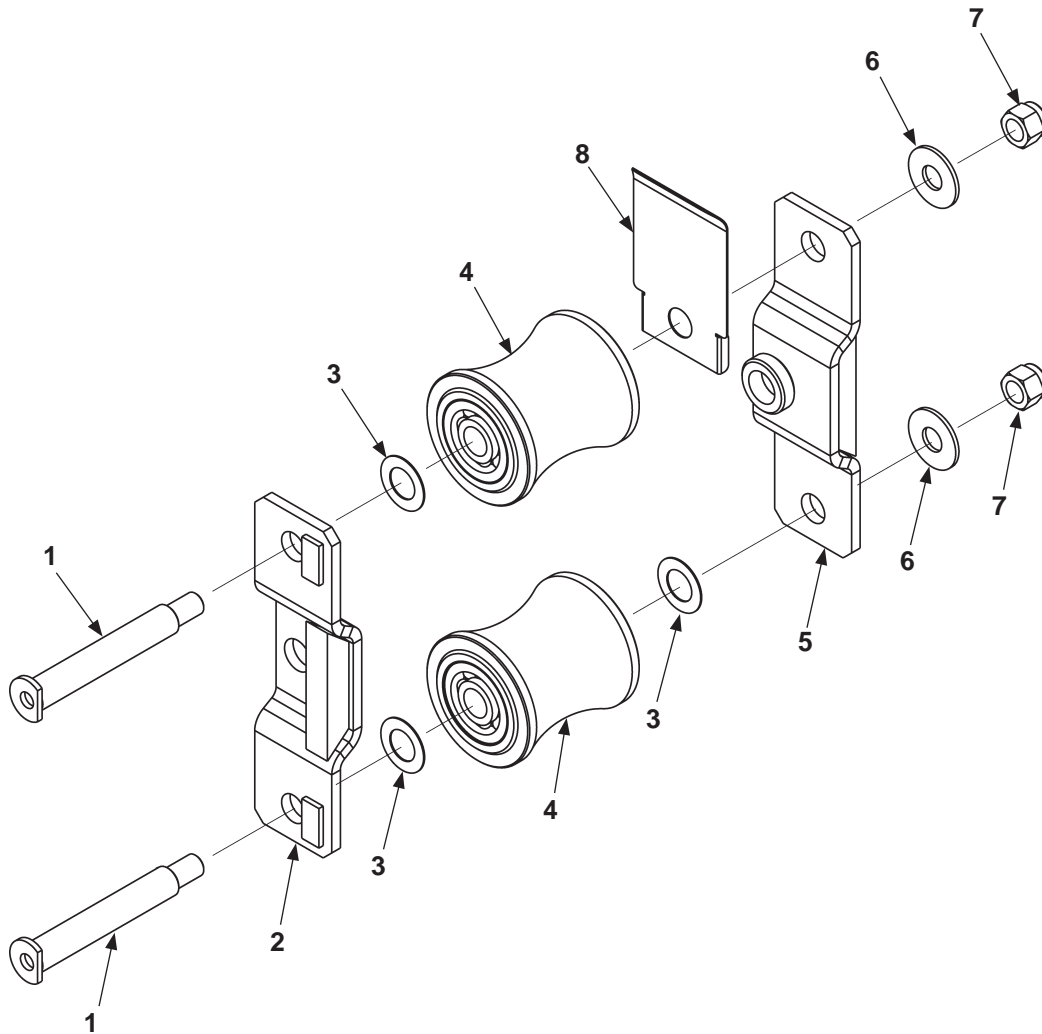


MAXON[®] 11921 Slauson Ave. Santa Fe Springs, CA. 90670 (800) 227-4116 FAX (888) 771-7713

ITEM	QTY.	PART NO.	DESCRIPTION
REF	1	280709-01	LH RUNNER ASSEMBLY
1	2	900014-3	HEX HEAD CAP SCREW, 3/8"-16 X 3/4" LG, GRADE 8
2	6	902011-4	LOCK WASHER, 3/8"
3	1	263221	UPPER PAD SUPPORT ASSEMBLY
4	A/R	263030	SPACER
5	1	280707-01	LH RUNNER
6	4	900014-12	HEX HEAD CAP SCREW, 3/8"-16 X 5/8" LG.
7	2	280067	ARM WELDMENT
8	1	224342	GREASE FITTING 1/4"
9	8	207644	POP RIVET, 3/16" X .40" LG.
10	1	253543	PAD
11	2	901001	NYLON LOCK NUT, 5/16"-18
12	1	225278-02	BUMPER
13	2	902013-10	FLAT WASHER, 5/16"
14	2	900001-4	BUTTON HEAD SCREW, 5/16"-18 X 1-1/4" LG, GRADE 8
15	1	263225	LOWER PAD SUPPORT ASSEMBLY
16	1	908011-01	BEARING, SELF LUBE, 2-1/4" I.D. X 2-1/8" LG.
17	1	253595	BEARING, SELF LUBE, 1-1/8" I.D. X 1" LG.
18	1	280309-01	BUSHING

NOTE: A/R means As Required.

UPPER TANDEM ASSEMBLY, LH RUNNER



ITEM	QTY.	PART NO.	DESCRIPTION
REF	1	280055-01	UPPER TANDEM ASSEMBLY, LH RUNNER
1	2	253509-01	ROLLER AXLE
2	1	280064	ROLLER BRACKET
3	3	261182	FLAT WASHER, .72" I.D. X 1-1/4" O.D. STAINLESS STEEL
4	2	253550-100	ROLLER
5	1	280063	ROLLER BRACKET
6	2	902014	FLAT WASHER, 5/8" I.D. X 1-3/8" O.D.
7	2	901008	NYLON LOCK NUT, 1/4"-20
8	1	280851-01	ROLLER COVER

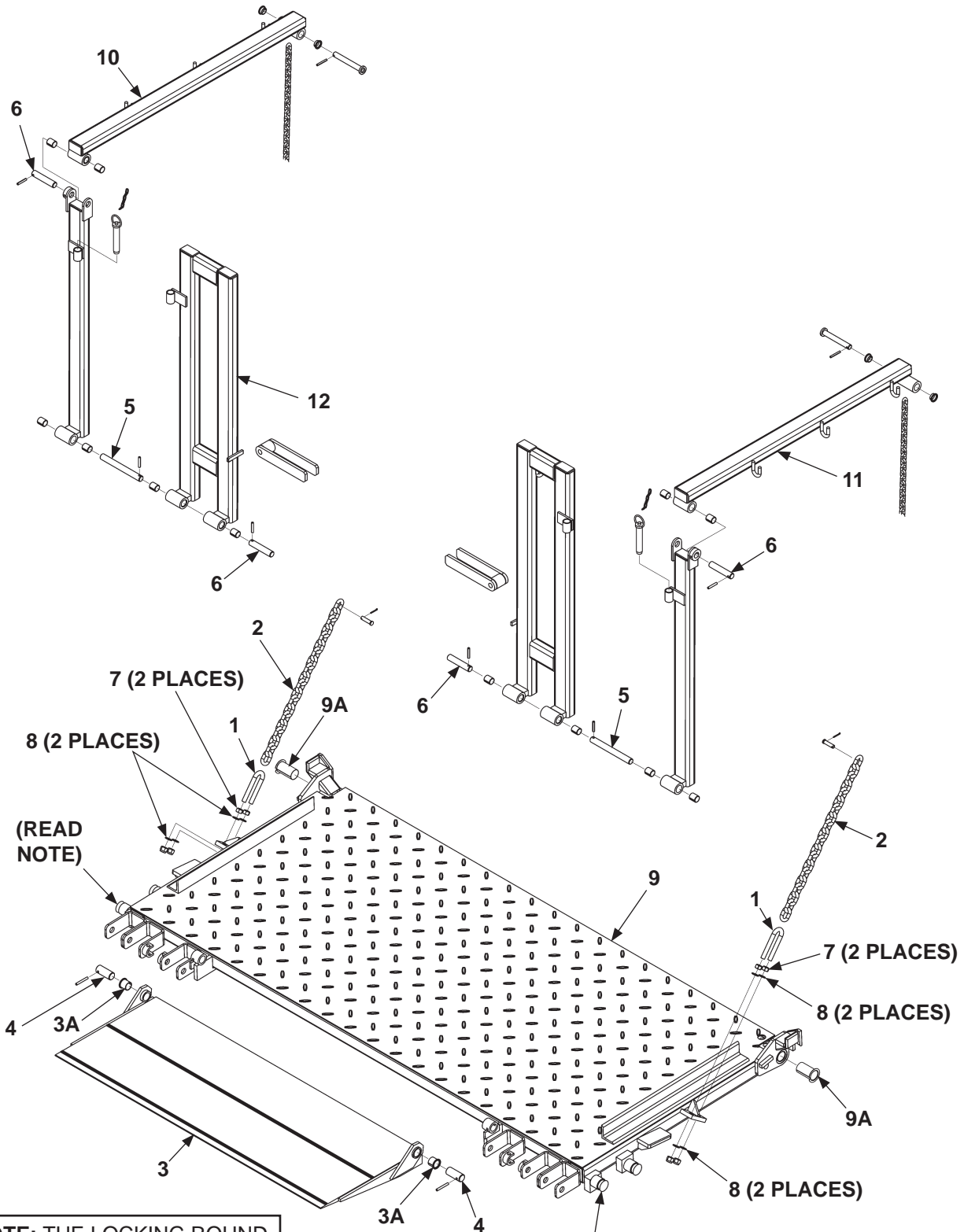
MAXON[®]

11921 Slauson Ave. Santa Fe Springs, CA. 90670 (800) 227-4116 FAX (888) 771-7713

THIS PAGE INTENTIONALLY LEFT BLANK

CS PLATFORM ASSEMBLY (STEEL)

MAXON[®] 11921 Slauson Ave. Santa Fe Springs, CA. 90670 (800) 227-4116 FAX (888) 771-7713



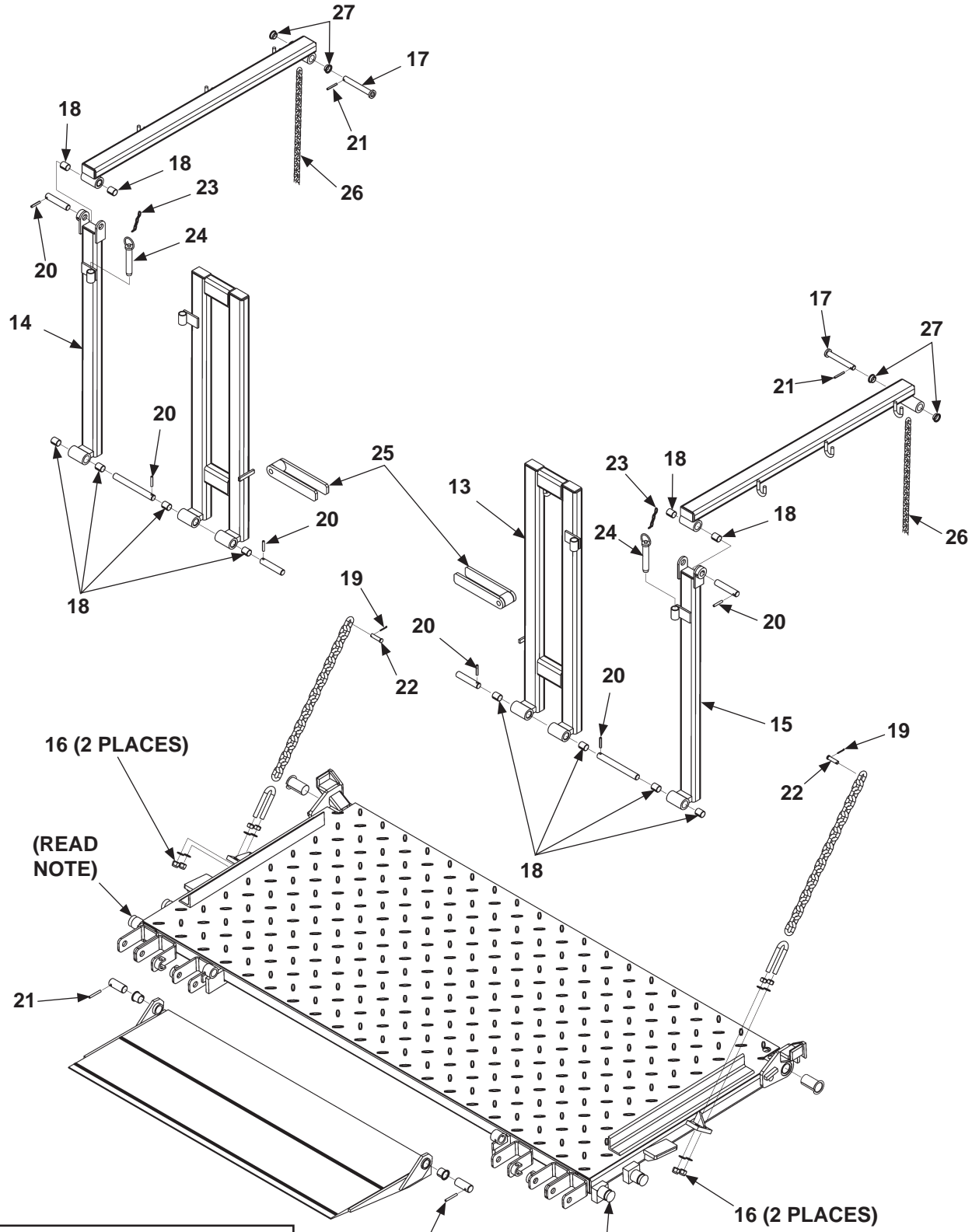
NOTE: THE LOCKING ROUND WEDGES SHOWN ARE ONLY ON 36" DEEP PLATFORM.

(READ NOTE)

ITEM	QTY.	PART NO.	DESCRIPTION
REF	1	282648-426	CS PLATFORM ASSY (STL, 36" DEEP, 96" WIDE VEH)
		282648-427	CS PLATFORM ASSY (STL, 42" DEEP, 96" WIDE VEH)
		282648-436	CS PLATFORM ASSY (STL, 36" DEEP, 102" WIDE VEH)
		282648-437	CS PLATFORM ASSY (STL, 42" DEEP, 102" WIDE VEH)
1	2	282854-01	U-BOLT
2	2	282866-06	CHAIN, 3/8" X 23" LG.
3	1	280586-01	RAMP, BMRA-CS EXTRUDED
3A	2	908002-01	BEARING, SELF LUBE, 1" I.D. X 1" LG.
4	2	260772	PIN, 1" X 2-3/8" LG.
5	2	260876	PIN, 3/4" X 6-7/8" LG.
6	4	260877	PIN, 3/4" X 3-3/4" LG.
7	4	901011-9	NUT, 1/2"-13
8	8	902000-14	FLAT WASHER, 1/2"
9	1	282963-01	PLATFORM (36" DEEP, 96" WIDE VEHICLE)
		282963-02	PLATFORM (42" DEEP, 96" WIDE VEHICLE)
		282963-03	PLATFORM (36" DEEP, 102" WIDE VEHICLE)
		282963-04	PLATFORM (42" DEEP, 102" WIDE VEHICLE)
9A	2	905200	BEARING, SELF LUBE, 2-1/4" DIA. X 2-1/2" LG.
10	1	280320-01	HORIZONTAL RAIL, LH (36" DEEP PLATFORM)
		280320-03	HORIZONTAL RAIL, LH (42" DEEP PLATFORM)
11	1	280320-02	HORIZONTAL RAIL, RH (36" DEEP PLATFORM)
		280320-04	HORIZONTAL RAIL, RH (42" DEEP PLATFORM)
12	1	280334-01	FOLDING RAIL, LH (96" WIDE VEHICLE)
		280334-03	FOLDING RAIL, LH (102" WIDE VEHICLE)

CS PLATFORM ASSEMBLY (STEEL) - Continued

MAXON® 11921 Slauson Ave. Santa Fe Springs, CA. 90670 (800) 227-4116 FAX (888) 771-7713



NOTE: THE LOCKING ROUND WEDGES SHOWN ARE ONLY ON 36" DEEP PLATFORM.

(READ NOTE)

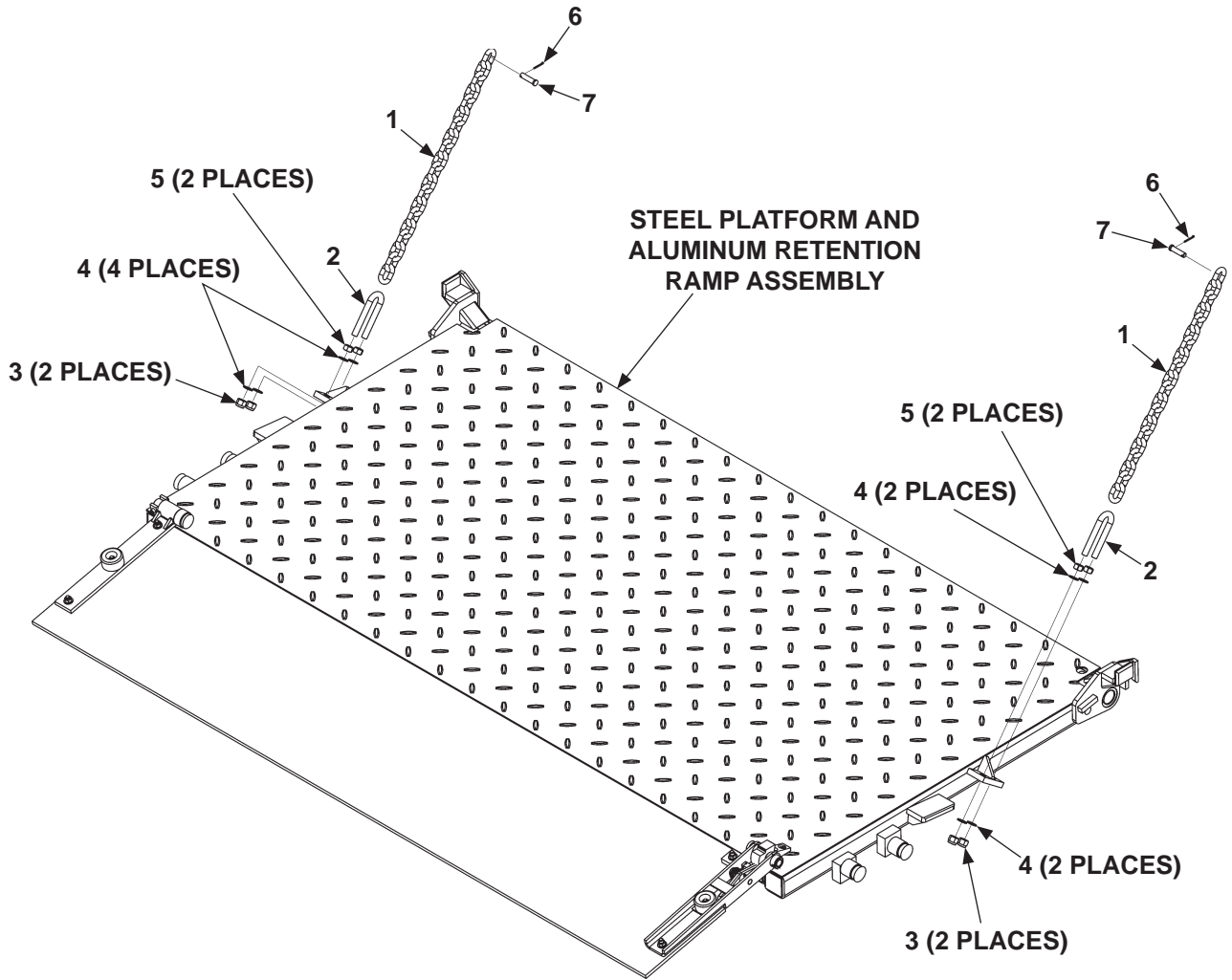
ITEM	QTY.	PART NO.	DESCRIPTION
13	1	280334-02	FOLDING RAIL, RH (96" WIDE VEHICLE)
		280334-04	FOLDING RAIL, RH (102" WIDE VEHICLE)
14	1	280335-01	CORNER POST, LH
15	1	280335-02	CORNER POST, RH
16	4	901010	LOCK NUT, 1/2"-13
17	2	280324-01	PIN WELDMENT, 5-3/4" LG.
18	12	260917-06	BEARING, SELF LUBE, 3/4" I.D. X 1" LG.
19	2	030805	COTTER PIN, 1/8" X 1" LG.
20	6	905033-1	ROLL PIN, 1/4" X 1-1/2" LG.
21	4	905033-5	ROLL PIN, 1/4" X 2" LG.
22	2	905136-01	CLEVIS PIN, 1/2" X 1-7/8" LG.
23	2	050408-05	CHAIN, #4, 5 LINKS
24	2	202802	BALL LOCK PIN
25	2	260755	LATCH ASSEMBLY
26	2	050162-12	CHAIN, 2/0, 46" LG.
27	4	265072	BEARING, SELF LUBE, 3/4" I.D. X 3/8" LG.

MAXON[®] 11921 Slauson Ave. Santa Fe Springs, CA. 90670 (800) 227-4116 FAX (888) 771-7713

ONE PIECE STEEL PLATFORM ASSEMBLY

MAXON[®]

11921 Slauson Ave. Santa Fe Springs, CA. 90670 (800) 227-4116 FAX (888) 771-7713



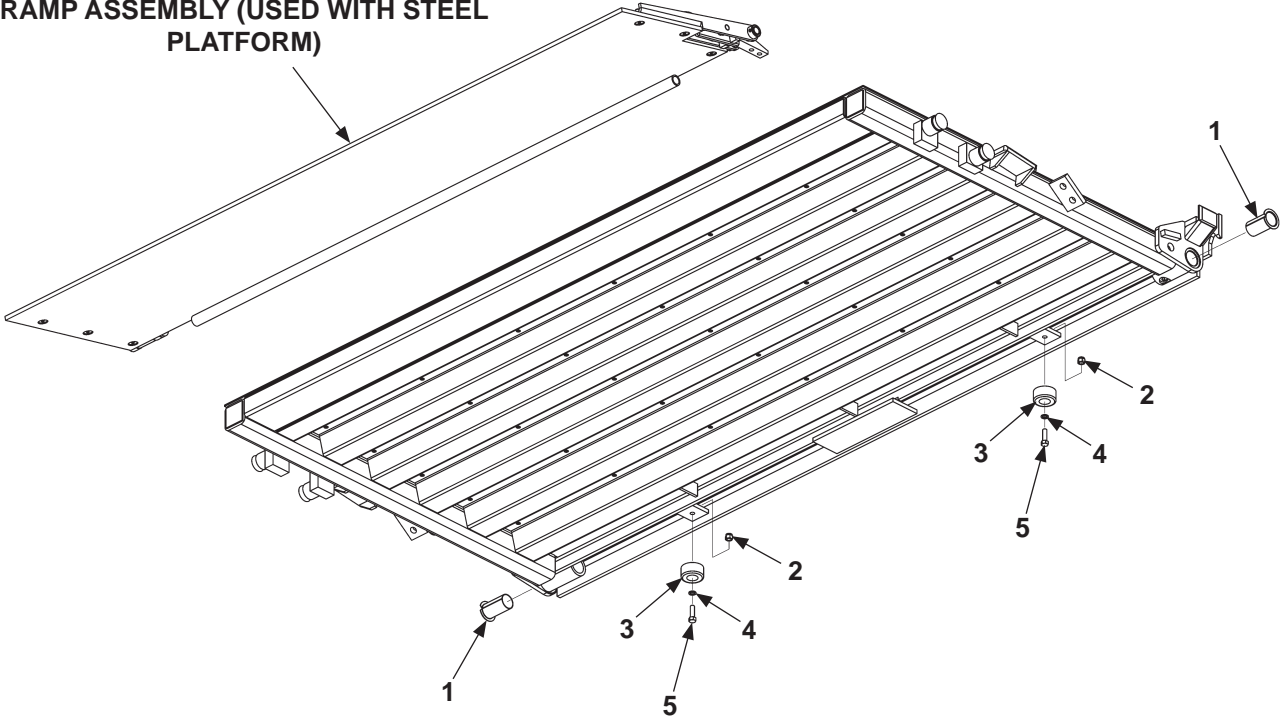
ITEM	QTY.	PART NO.	DESCRIPTION
REF	1	282643-407	1-PC PLATFORM ASSY (STL, 42" DEEP, 96" WIDE VEH)
		282643-408	1-PC PLATFORM ASSY (STL, 48" DEEP, 96" WIDE VEH)
		282643-417	1-PC PLATFORM ASSY (STL, 42" DEEP, 102" WIDE VEH)
		282643-418	1-PC PLATFORM ASSY (STL, 48" DEEP, 102" WIDE VEH)
1	2	282866-06	CHAIN, 3/8" X 23" LG.
2	2	282854-01	U-BOLT
3	4	901010	LOCK NUT, 1/2"-13
4	8	902000-14	FLAT WASHER, 1/2"
5	4	901011-9	NUT, 1/2"-13
6	2	030805	COTTER PIN, 1/8" X 1" LG.
7	2	905136-01	CLEVIS PIN, 1/2" X 1-7/8" LG.

MAXON[®] 11921 Slauson Ave. Santa Fe Springs, CA. 90670 (800) 227-4116 FAX (888) 771-7713

STEEL PLATFORM AND ALUMINUM RETENTION RAMP ASSEMBLY

MAXON[®]
11921 Slauson Ave. Santa Fe Springs, CA. 90670 (800) 227-4116 FAX (888) 771-7713

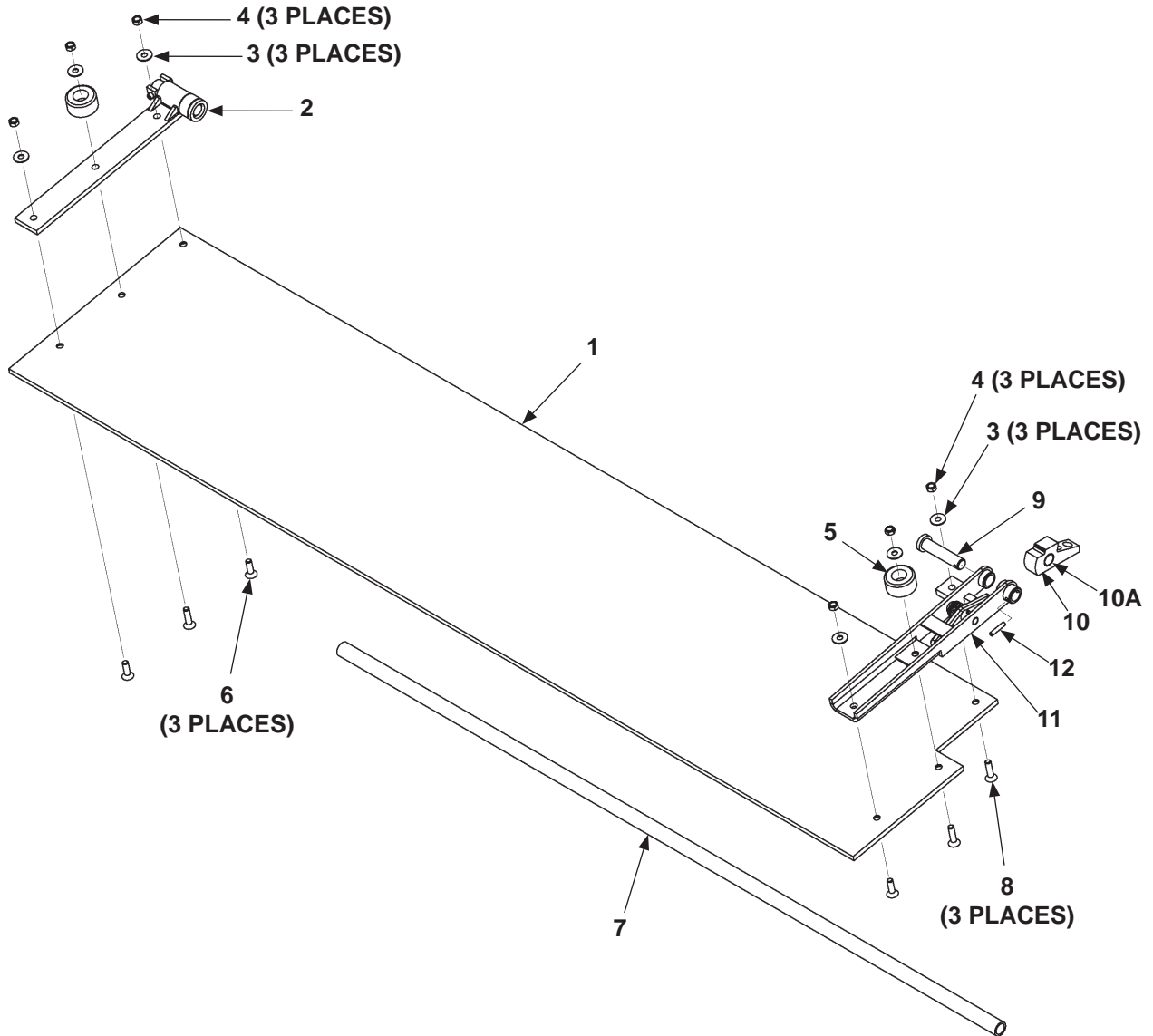
REFER TO ALUMINUM RETENTION RAMP ASSEMBLY (USED WITH STEEL PLATFORM)



ITEM	QTY.	PART NO.	DESCRIPTION
REF	1	282967-01	PLATFORM (42" DEEP, 96" WIDE VEHICLE)
		282967-02	PLATFORM (48" DEEP, 96" WIDE VEHICLE)
		282967-03	PLATFORM (42" DEEP, 102" WIDE VEHICLE)
		282967-04	PLATFORM (48" DEEP, 102" WIDE VEHICLE)
1	2	905200	BEARING, SELF LUBE, 2-1/4" DIA. X 2-1/2" LG.
2	2	901002	NYLON LOCK NUT, 3/6"-16
3	2	253516	RUBBER BUMPER
4	2	902000-10	FLAT WASHER, 3/8"
5	2	900014-5	HEX HEAD BOLT, 3/8"-16 X 1-1/4" LG.

MAXON[®] 11921 Slauson Ave. Santa Fe Springs, CA. 90670 (800) 227-4116 FAX (888) 771-7713

ALUMINUM RETENTION RAMP ASSEMBLY (USED WITH STEEL PLATFORM)



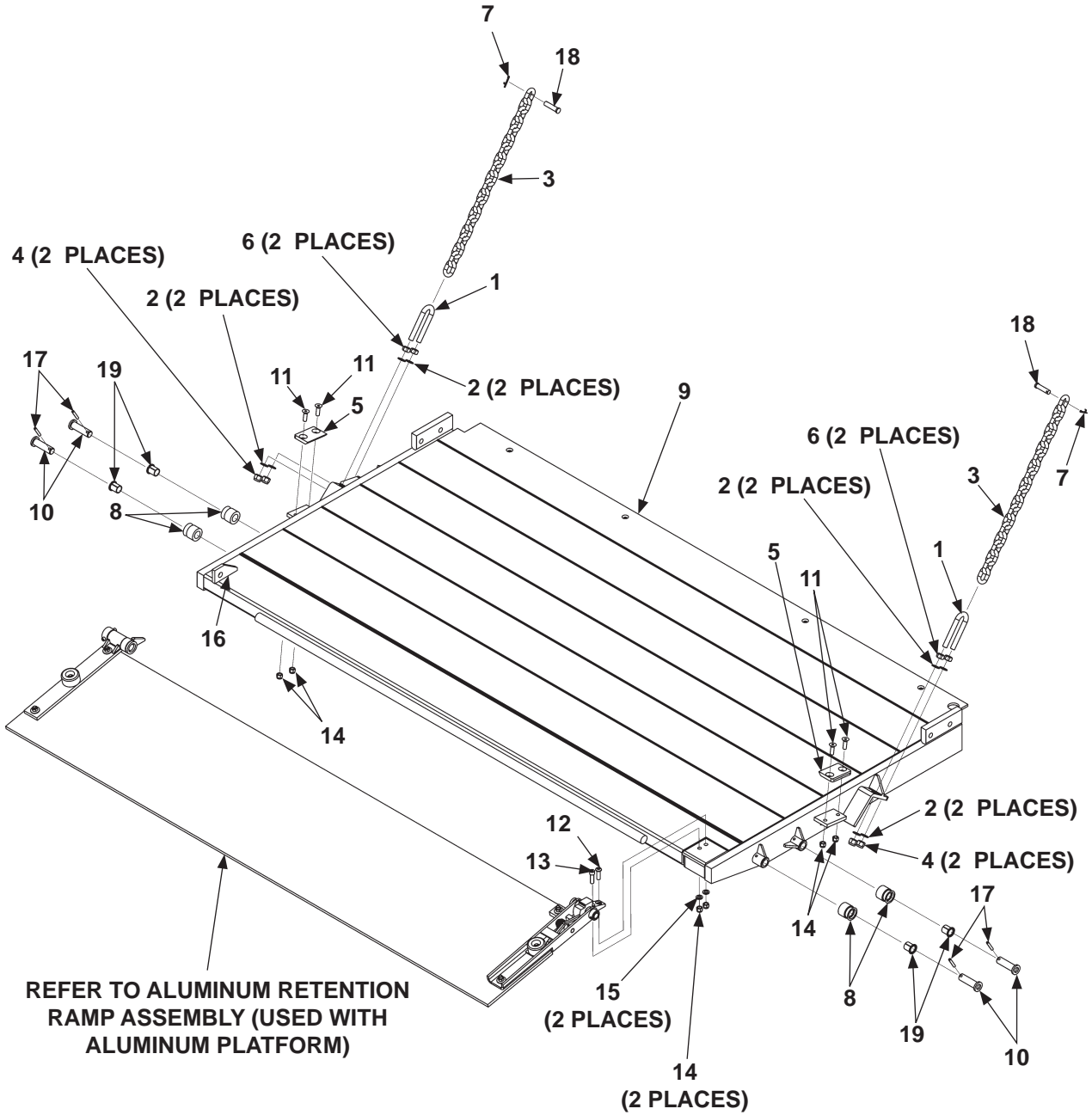
MAXON[®]

11921 Slauson Ave. Santa Fe Springs, CA. 90670 (800) 227-4116 FAX (888) 771-7713

ITEM	QTY.	PART NO.	DESCRIPTION
REF	1	264699-02	AL RET. RAMP ASSY, 16" (96" WIDE VEH)
		264699-03	AL RET. RAMP ASSY, 16" (102" WIDE VEH)
1	1	264697-02	ALUMINUM RAMP 16" X 77" LG. (96" WIDE VEH)
		264697-03	ALUMINUM RAMP 16" X 83" LG. (102" WIDE VEH)
2	1	253524	HINGE ASSEMBLY LH
3	6	902001-2	FLAT WASHER, 3/8"
4	6	030955	NYLON LOCK NUT, 3/8"-16
5	2	253516	RUBBER BUMPER
6	3	900040-5	SCREW, FLAT SOCKET HEAD, 3/8"-16" X 1-1/4" LG.
7	1	225985	PIPE, 3/4" X 60" LG.
8	3	900040-6	SCREW, FLAT SOCKET HEAD, 3/8"-16 X 1-1/2" LG.
9	1	264586	PIN WELDMENT
10	1	264639	LOCKING CAM
10A	1	260917-06	BEARING, SELF LUBE
11	1	264572	HINGE ASSEMBLY RH
12	1	905033-2	ROLL PIN, 1/4" X 1-1/4" LG.

ONE PIECE ALUMINUM PLATFORM ASSEMBLY (42" DEEP)

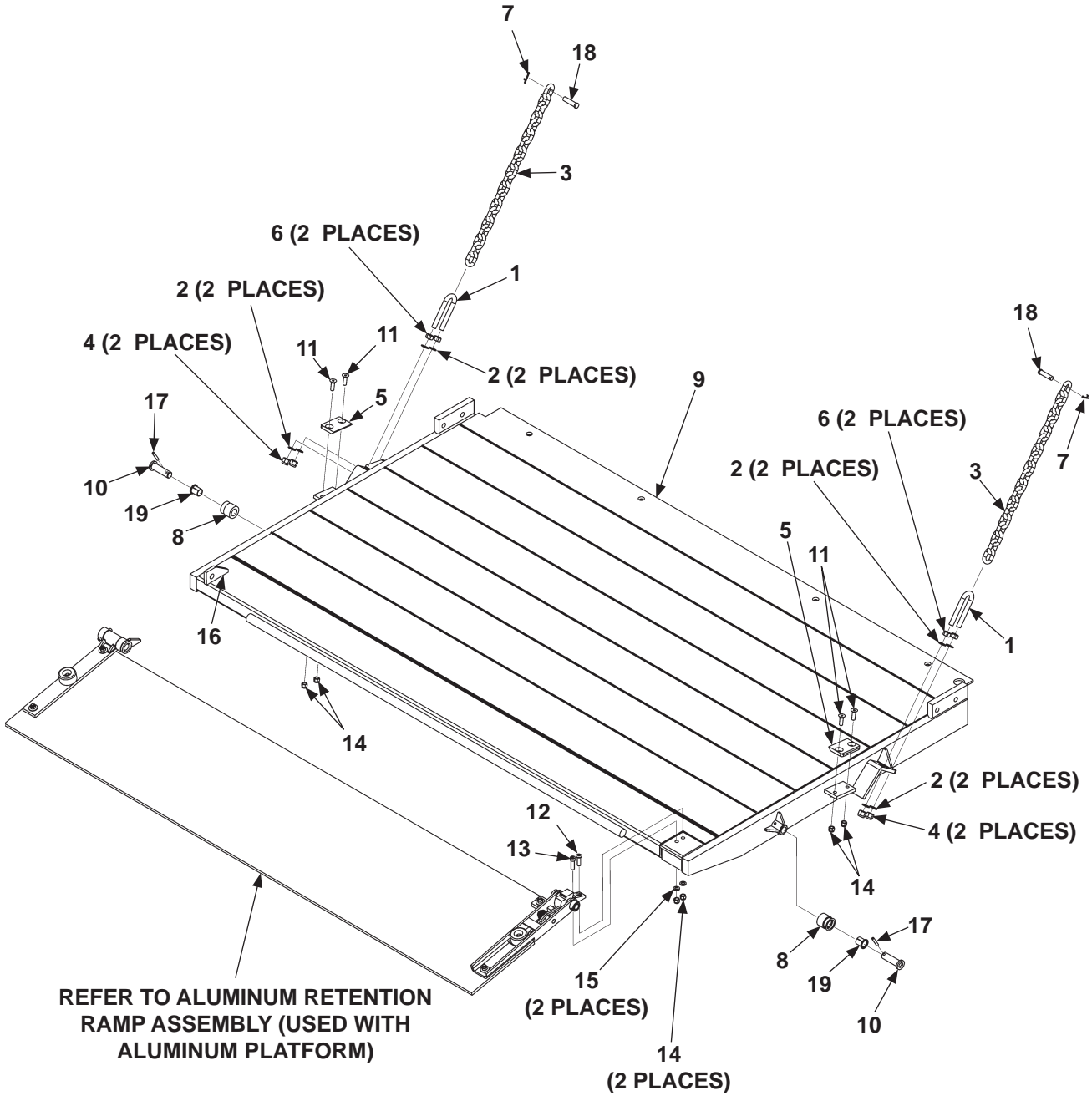
MAXON[®]
 11921 Slauson Ave. Santa Fe Springs, CA. 90670 (800) 227-4116 FAX (888) 771-7713



ITEM	QTY.	PART NO.	DESCRIPTION
REF	1	280315-01	1-PC PLATFORM ASSY (AL, 42" DEEP, 96" WIDE VEH)
		280315-03	1-PC PLATFORM ASSY (AL, 42" DEEP, 102" WIDE VEH)
1	2	282854-01	U-BOLT
2	8	902000-14	FLAT WASHER, 1/2"
3	2	282866-06	CHAIN, 23" LG.
4	2	901010	LOCK NUT, 1/2"-13
5	2	280027	BRACKET
6	4	901011-9	NUT, 1/2"-13 LG.
7	2	030805	COTTER PIN, 1/8" X 1" LG.
8	4	280283-01	LOCKING ROUND WEDGE
9	1	283170-01	PLATFORM WELDMENT (96" WIDE VEHICLE)
		283170-03	PLATFORM WELDMENT (102" WIDE VEHICLE)
10	4	280495-01	PIN WELDMENT, 2-1/2" LG.
11	4	900040-5	SOCKET FLAT HEAD SCREW, 3/8"-16 X 1-1/4" LG.
12	1	900064-06	BUTTON HEAD CAP SCREW, 3/8"-16 X 1-1/4" LG.
13	1	900065-05	SOCKET HEAD SCREW, 3/8"-16 X 1-1/4" LG.
14	6	901002	NYLON LOCK NUT, 3/8"-16
15	2	902000-10	FLAT WASHER, 3/8"
16	1	280877-01	GUSSET
17	4	905033-1	ROLL PIN, 1/4" X 1-1/2" LG.
18	2	905136-01	CLEVIS PIN, 1/2" X 1-7/8" LG.
19	4	905305-01	BEARING, SELF LUBE, 3/4" I.D. X 1-1/4" LG.

ONE PIECE ALUMINUM PLATFORM ASSEMBLY (48" DEEP)

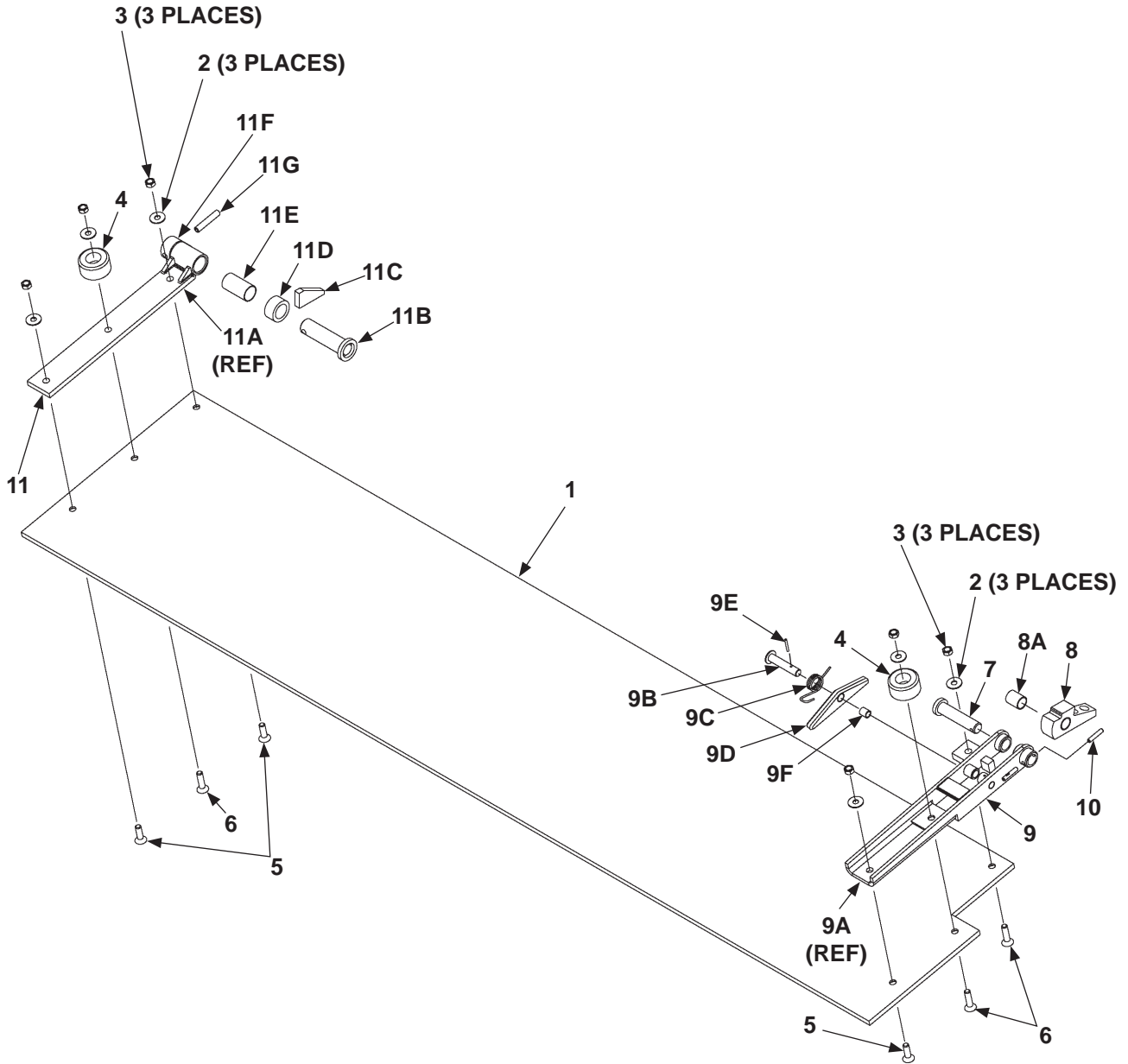
MAXON[®] 11921 Slauson Ave. Santa Fe Springs, CA. 90670 (800) 227-4116 FAX (888) 771-7713



ITEM	QTY.	PART NO.	DESCRIPTION
REF	1	280315-02	1-PC PLATFORM ASSY (AL, 48" DEEP, 96" WIDE VEH)
		280315-04	1-PC PLATFORM ASSY (AL, 48" DEEP, 102" WIDE VEH)
1	2	282854-01	U-BOLT
2	8	902000-14	FLAT WASHER, 1/2"
3	2	282866-06	CHAIN, 23" LG.
4	2	901010	LOCK NUT, 1/2"-13
5	2	280027	BRACKET
6	4	901011-9	NUT, 1/2"-13 LG.
7	2	030805	COTTER PIN, 1/8" X 1" LG.
8	2	280283-01	LOCKING ROUND WEDGE
9	1	283170-02	PLATFORM WELDMENT (96" WIDE VEHICLE)
		283170-04	PLATFORM WELDMENT (102" WIDE VEHICLE)
10	2	280495-01	PIN WELDMENT, 2-1/2" LG.
11	4	900040-5	SOCKET FLAT HEAD SCREW, 3/8"-16 X 1-1/4" LG.
12	1	900064-06	BUTTON HEAD CAP SCREW, 3/8"-16 X 1-1/4" LG.
13	1	900065-05	SOCKET HEAD SCREW, 3/8"-16 X 1-1/4" LG.
14	6	901002	NYLON LOCK NUT, 3/8"-16
15	2	902000-10	FLAT WASHER, 3/8"
16	1	280877-01	GUSSET
17	2	905033-1	ROLL PIN, 1/4" X 1-1/2" LG.
18	2	905136-01	CLEVIS PIN, 1/2" X 1-7/8" LG.
19	2	905305-01	BEARING, SELF LUBE, 3/4" I.D. X 1-1/4" LG.

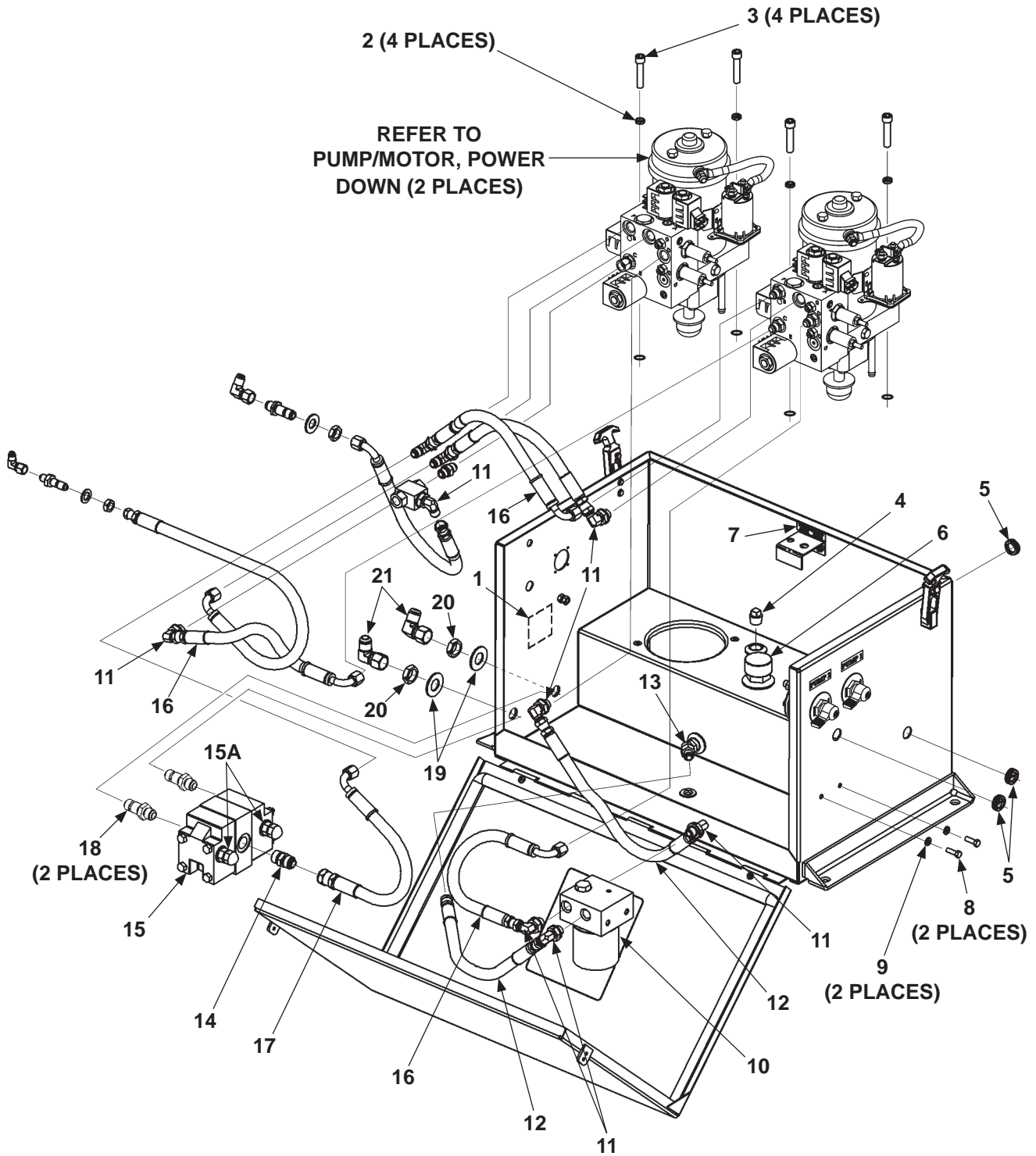
ALUMINUM RETENTION RAMP ASSEMBLY (USED WITH ALUMINUM PLATFORM)

MAXON[®] 11921 Slauson Ave. Santa Fe Springs, CA. 90670 (800) 227-4116 FAX (888) 771-7713



ITEM	QTY.	PART NO.	DESCRIPTION
REF	1	264699-06	AL RET. RAMP ASSY, 16" (96" WIDE VEHICLE)
		264699-07	AL RET. RAMP ASSY, 16" (102" WIDE VEHICLE)
1	1	264697-06	ALUMINUM RAMP (96" WIDE VEHICLE)
		264697-07	ALUMINUM RAMP (102" WIDE VEHICLE)
2	6	902001-2	LOCK WASHER, 3/8"
3	6	030955	LOCK NUT, 3/8"-16
4	2	253516	RUBBER BUMPER
5	3	900040-5	SOCKET FLAT HD SCREW, 3/8-16 X 1-1/4" LG, GRADE 8
6	3	900040-6	SOCKET FLAT HD SCREW, 3/8-16 X 1-1/2" LG, GRADE 8
7	1	264586	PIN WELDMENT, 3/4" LG.
8	1	264639	LOCKING CAM
8A	1	260917-06	BEARING, SELF LUBE
9	1	264572	HINGE ASSEMBLY RH
9A	1	REF	HINGE WELDMENT, RH
9B	1	264577	PIN WELDMENT, 1/2" LG.
9C	1	264638	TORSION SPRING, LH
9D	1	264547	LOCKING ARM ASSY
9E	1	030406	ROLL PIN, 1/8" X 1" LG.
9F	1	253542	BEARING, SELF LUBE
10	1	905033-2	ROLL PIN, 1/4" X 1-1/4" LG.
11	1	263463	HINGE ASSEMBLY LH
11A	1	REF	HINGE ARM WELDMENT
11B	1	253528	PIN WELDMENT
11C	1	263467	GUSSET
11D	1	091884-10	ROUND TUBE, ALUMINUM, 3/4" LG.
11E	1	253541	BEARING, SELF LUBE
11F	1	263466	PIN COLLAR
11G	1	221416	ROLL PIN, 3/8" X 2" LG.

HYDRAULIC COMPONENTS DUAL PUMP ASSEMBLY (POWER DOWN)



MAXON®

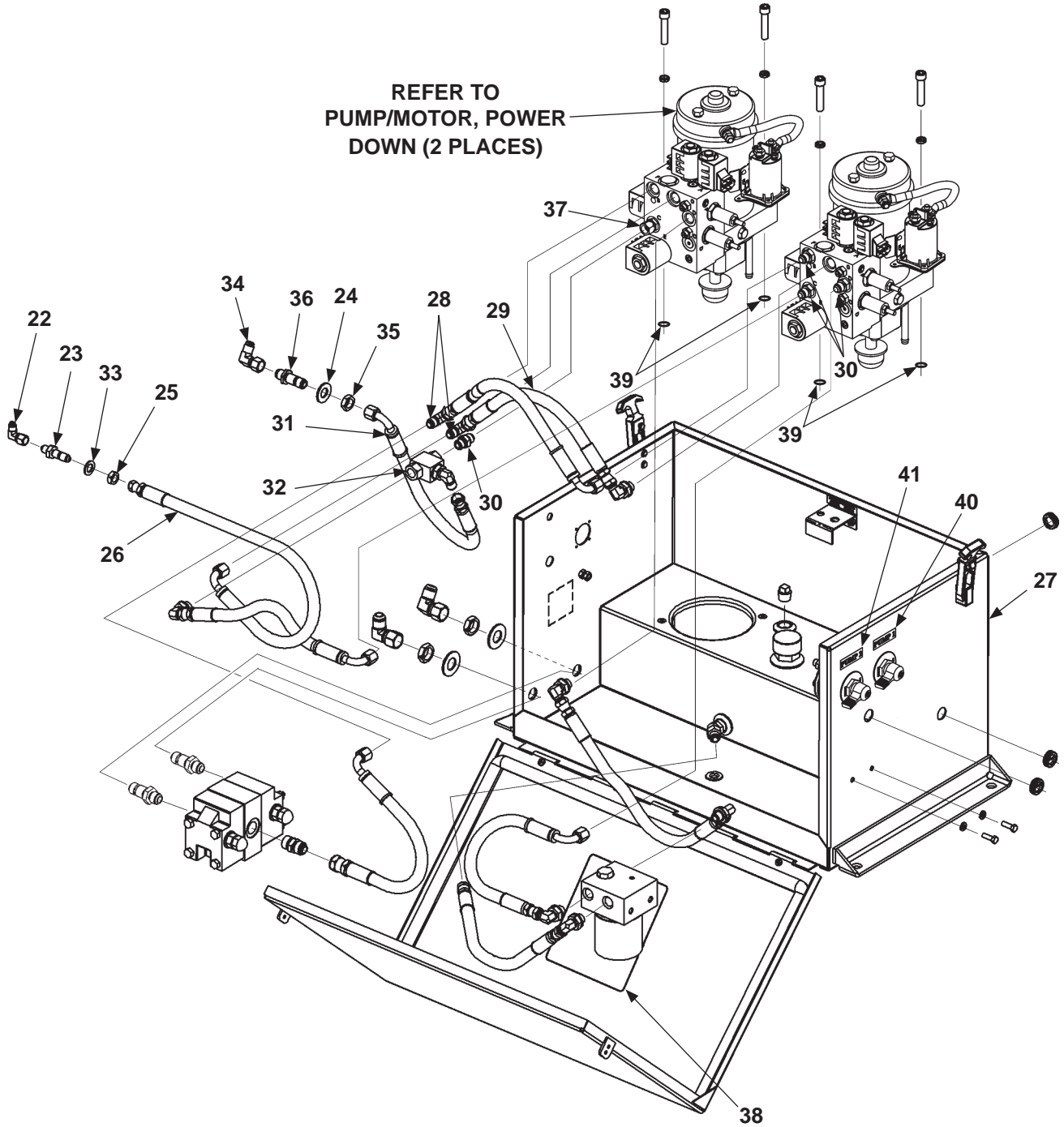
11921 Slauson Ave. Santa Fe Springs, CA. 90670 (800) 227-4116 FAX (888) 771-7713

ITEM	QTY.	PART NO.	DESCRIPTION
REF	-	264200	DUAL PUMP ASSEMBLY, POWER DOWN
1	1	265734-01	GROUND STUD DECAL
2	4	263952	LOCK WASHER, 3/8" ZINC
3	4	263951	CAP SCREW, 3/8"-16 X 1-3/4" LG.
4	1	700729	PLUG, 3/8"
5	3	261416	GROMMET, 3/4" RUBBER
6	1	263369	FILLER CAP
7	1	264183	DECAL PUMP SELECTOR
8	2	900004-1	CAP SCREW, 1/4"-20 X 3/4" LG.
9	2	902011-2	LOCK WASHER, 1/4" X 1/16" THK.
10	1	260920	SPIN-ON OIL FILTER
11	7	905152	ELBOW, 90°, SAE#6 X JIC37#6
12	2	263967	HP HOSE, 3/8", X 16-1/8" LG, JIC#6 F-F
13	1	905177	ELBOW, 45°, 3/8" NPT X 3/8" JIC
14	1	253706	STRAIGHT UNION SAE#8 X JIC#8 M-M
15	1	253513	FLOW DIVIDER
15A	2	902024	WASHER, THREAD SEAL
16	3	263966	HP HOSE, 3/8" X 14-3/8" LG, JIC#6 F-F
17	1	263971	HP HOSE, 3/8" X 17-1/2" LG, JIC#6 F-F
18	2	261461	UNION, BULKHEAD, SAE 37° FLARE TWIN
19	2	902000-20	FLAT WASHER, 3/4"
20	2	261462	NUT, BULKHEAD, SAE 37° FLARE TWIN
21	2	260120	ELBOW, 90°, JIC#8-M X JIC#8-F

DUAL PUMP ASSEMBLY (POWER DOWN) - Continued

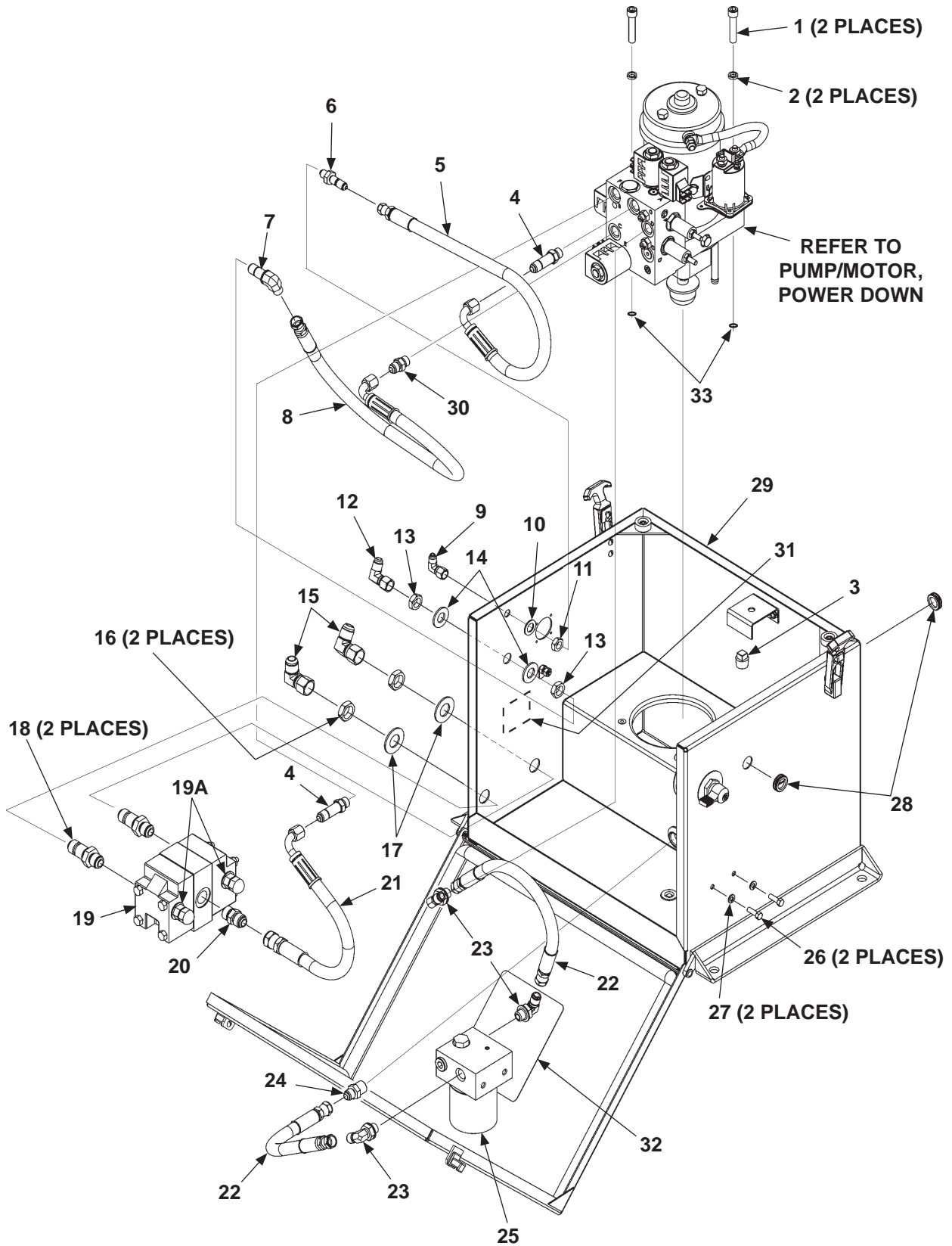
MAXON

11921 Slauson Ave. Santa Fe Springs, CA. 90670 (800) 227-4116 FAX (888) 771-7713



ITEM	QTY.	PART NO.	DESCRIPTION
22	1	905027	ELBOW JIC#4 M-F SW
23	1	905096	STRAIGHT UNION JIC#4
24	1	902013-14	FLAT WASHER, 19/32" ZINC
25	1	905085	NUT, BULKHEAD, JIC#4
26	1	264196	HP HOSE, 3/8" X 21-7/8", 90°, JIC#6 & #4
27	1	264260	PUMP BOX ASSEMBLY (DUAL PUMP)
28	2	264180	TEE, STRAIGHT THREAD, O-RING
29	1	264091	HP HOSE, 3/8" X 13-7/8" LG, JIC#6 F-F
30	4	905153	FITTING, STRAIGHT THD. SAE#6 X JIC #6
31	1	264197	HP HOSE, 3/8" X 17-7/16" LG, JIC#6 F-F
32	1	264198	IN-LINE SHUTTLE VALVE
33	1	902000-14	FLAT WASHER, 1/2" X 7/64"
34	1	905154	ELBOW, 90° JIC#6 M-F
35	1	905086	NUT, BULKHEAD, JIC#6
36	1	905100	STRAIGHT UNION JIC#6
37	1	905181	SWIVEL, SAE 37°, 3/8" M-JIC#6
38	1	265330-02	DECAL, P/D HYDRAULIC FLUID LEVEL
39	4	908025-01	O-RING
40	1	267430-01	DECAL, PUMP 1
41	1	267430-02	DECAL, PUMP 2

SINGLE PUMP ASSEMBLY (POWER DOWN)



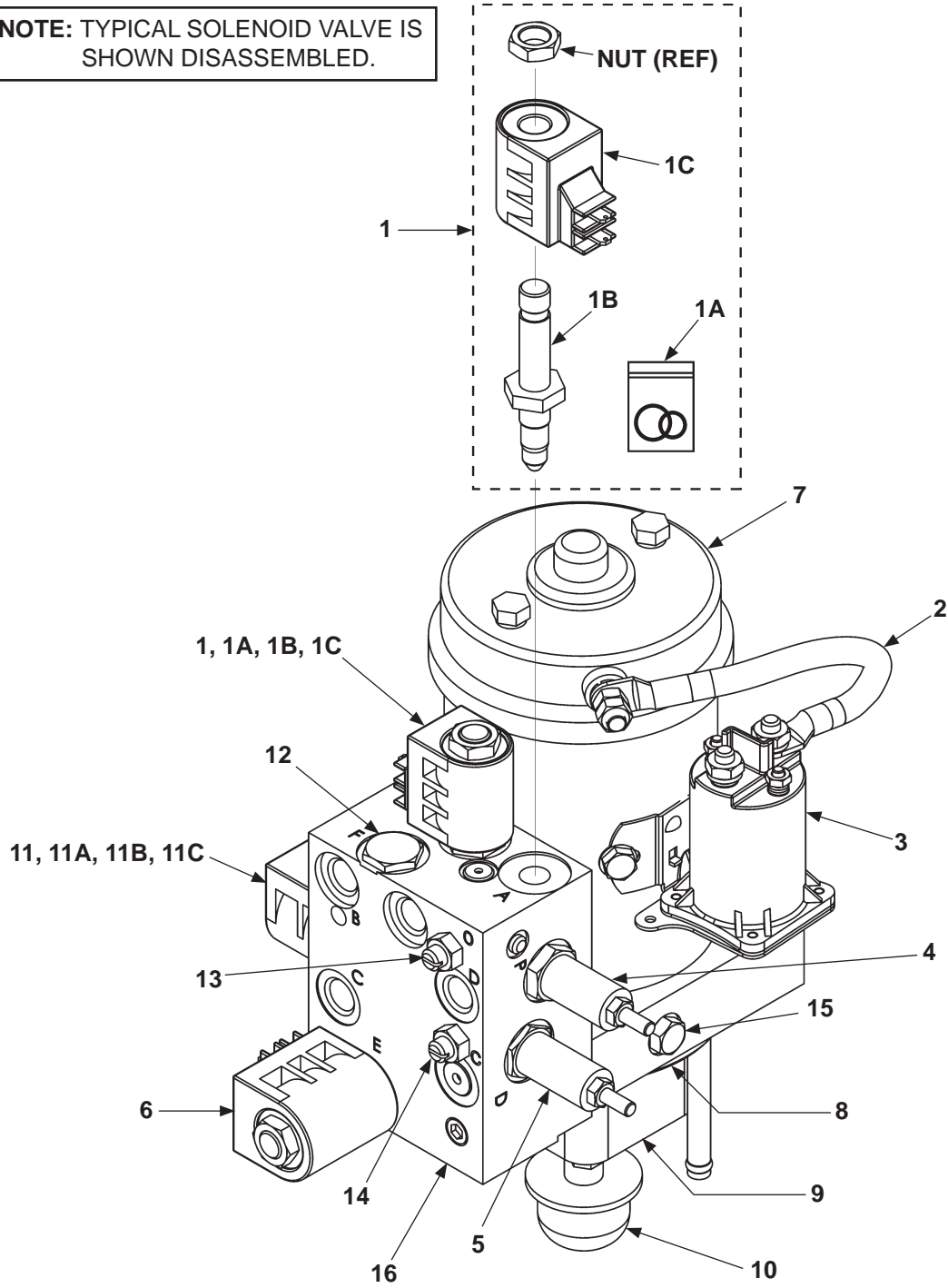
MAXON

11921 Slauson Ave. Santa Fe Springs, CA. 90670 (800) 227-4116 FAX (888) 771-7713

ITEM	QTY.	PART NO.	DESCRIPTION
REF	-	280240	SINGLE PUMP ASSEMBLY, POWER DOWN
1	2	263951	CAP SCREW, 3/8"-16 X 1-3/4"
2	2	263952	LOCK WASHER, 3/8"
3	1	700729	PLUG, 3/8"
4	2	905214	FITTING, STR. THD., O-RING SAE #6 & JIC
5	1	264196	HP HOSE, 3/8" X 21-7/8", 90° JIC #6
6	1	905096	STRAIGHT UNION JIC #4
7	1	905148	BULKHEAD UNION ELBOW SAE #6, JIC
8	1	263970	HP HOSE, 3/8" X 22" LG, JIC #6 F-F
9	1	905027	ELBOW JIC #4 M-F SW
10	1	902000-14	FLAT WASHER, 1/2" X 7/64"
11	1	905085	NUT, BULKHEAD JIC #4
12	1	905154	ELBOW, 90°, JIC #8-M X JIC #6-F
13	2	905086	NUT, BULKHEAD JIC #6
14	2	902010	FLAT WASHER, 19/32"
15	2	260120	ELBOW, 90°, JIC #8-M X JIC #8-F
16	2	261462	NUT, BULKHEAD, SAE 37° FLARE TWIN
17	2	902000-20	FLAT WASHER, .750" X .090" THK
18	2	261461	UNION, BULKHEAD, SAE 37° FLARE TWIN
19	1	253513	FLOW DIVIDER
19A	2	902024	WASHER, THREAD SEAL
20	1	253706	STRAIGHT UNION, O-RING, SAE #8-M JIC #8-M
21	1	263971	HP HOSE, 3/8" X 17-9/16" LG, JIC #6 F-F
22	2	263967	HP HOSE, 3/8" X 16-1/8" LG, JIC #6 F-F
23	3	905152	ELBOW, 90°, SAE #6 X JIC 37 #6
24	1	403071	CONNECTOR, 3/8" X 3/8" MALE
25	1	260920	SPIN-ON OIL FILTER
26	2	900004-1	CAP SCREW, 1/4-20 X 3/4"
27	2	902011-2	LOCK WASHER, 1/4" X 5/8"
28	2	261416	GROMMET, 3/4"
29	1	280241	SINGLE PUMP BOX ASSEMBLY
30	1	905153	FITTING, STRAIGHT THD. O-RING SAE #6 & JIC 6
31	1	265734-01	GROUND STUD DECAL
32	1	265330-02	DECAL, P/D HYDRAULIC FLUID LEVEL
33	2	908025-01	O-RING

PUMP/MOTOR (POWER DOWN)

NOTE: TYPICAL SOLENOID VALVE IS SHOWN DISASSEMBLED.

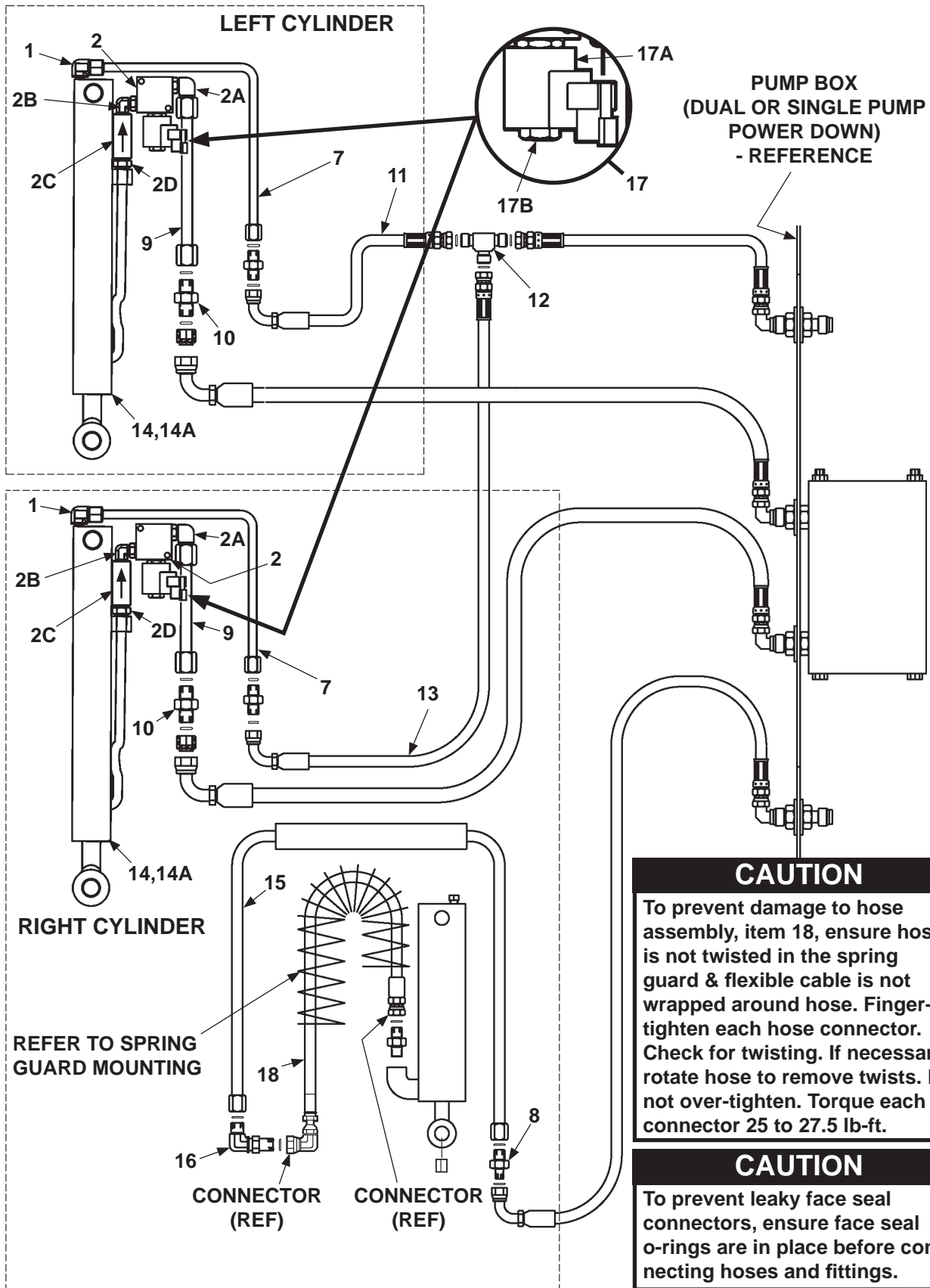


MAXON

11921 Slauson Ave. Santa Fe Springs, CA. 90670 (800) 227-4116 FAX (888) 771-7713

ITEM	QTY.	PART NO.	DESCRIPTION
REF	-	264191	PUMP/MOTOR, POWER DOWN
1	2	290043	VALVE, 2 POSITION, 2-WAY
1A	1	226594	O-RING KIT, 2-WAY VALVE
1B	1	290044	VALVE CARTRIDGE ONLY
1C	1	290045	COIL ONLY
2	1	268028-01	WIRE ASSEMBLY, BMRA MOTOR
3	1	268030-01	SWITCH SOLENOID
4	1	290035	RELIEF VALVE (2400 PSI)
5	1	290036	RELIEF VALVE (300 PSI)
6	1	290019	VALVE, 2 POSITION, 3-WAY
7	1	250093	MOTOR, 12 VDC
8	1	251884	O-RING
9	1	290004	GEAR PUMP
10	1	290034	FILTER, PUMP INLET
11	1	290046	VALVE, 2 POSITION, 4 WAY
11A	1	226595	O-RING KIT, 4-WAY (NOT SHOWN)
11B	1	290047	VALVE CARTRIDGE ONLY
11C	1	290048	COIL ONLY
12	1	290033	CHECK VALVE (F VALVE)
13	1	290031	NEEDLE VALVE
14	1	290032	NEEDLE VALVE
15	1	260229	RELIEF VALVE
16	1	290030	MANIFOLD BLOCK ASSEMBLY (WITH VALVES)

HYDRAULIC COMPONENTS (POWER DOWN)



CAUTION

To prevent damage to hose assembly, item 18, ensure hose is not twisted in the spring guard & flexible cable is not wrapped around hose. Fingertighten each hose connector. Check for twisting. If necessary, rotate hose to remove twists. Do not over-tighten. Torque each connector 25 to 27.5 lb-ft.

CAUTION

To prevent leaky face seal connectors, ensure face seal o-rings are in place before connecting hoses and fittings.

MAXON

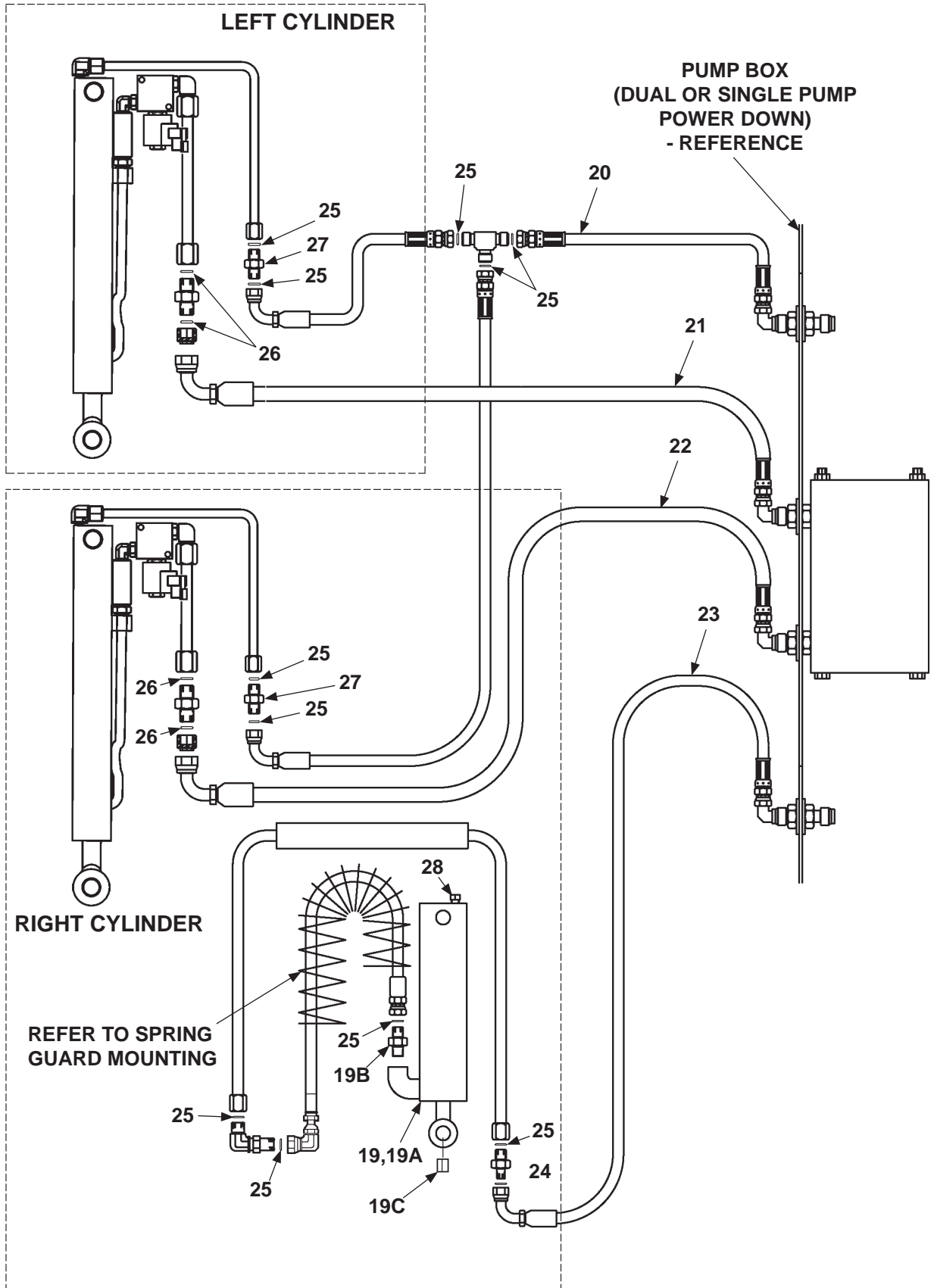
11921 Slauson Ave. Santa Fe Springs, CA. 90670 (800) 227-4116 FAX (888) 771-7713

ITEM	QTY.	PART NO.	DESCRIPTION
1	2	905157	ELBOW, 3/8" X 1/4" M-M
2	2	264307	HYDRAULIC LOCK & VALVE ASSY
2A	1	905158	ELBOW STRAIGHT, #8 X #6 M-M
2B	1	260164	ELBOW 90° STRAIGHT, #6 X 1/4" M-M
2C	1	253745	VALVE, PRESSURE COMPENSATED, 3GPM
2D	1	905176	STRAIGHT CONNECTOR, FS #8 TO NPTF #4 M-M
7	2	280629-01	RETURN TUBE ASSEMBLY
8	1	905180	UNION, FACE SEAL, # 6-#4, 1/4" M - 3/8" M
9	2	280628-01	LIFTING TUBE ASSEMBLY
10	2	905161	UNION, #8 M-M
11	1	264294-02	HP HOSE, 1/4" X 100" LG, #6 FS & #6 FS F-F
12	1	905150	TEE, UNION 3/8" F.S. MALE, 6-JLO
12A	3	906712-02	O-RING #6, 3/8" ORFS TUBE END
13	1	264294-03	HP HOSE, 1/4" X 24" LG, FS #6 F-F
14	2	280663-01	CYLINDER, 1-3/4" DIA. X 53-1/8" STROKE (BMRA-35/-44)
		280663-02	CYLINDER, 2" DIA. X 53-1/8" STROKE (BMRA-55/-66)
14A	1	280524	SEAL KIT, CYL. (BMRA-35/-44)
		280523	SEAL KIT, CYL. (BMRA-55/-66)
15	1	280630-01	"U" TUBE ASSEMBLY, 98" X 11"
16	1	905162	ELBOW BULKHEAD UNION, #6 M-M
17	2	906825-01	VALVE ASSEMBLY, IMMERSION PROOF, 12 VDC
17A	1	906824-01	COIL, 12 VDC
17B	1	290044	VALVE CARTRIDGE, 2W2P
18	1	264109	HP HOSE, 1/4" X 46" LG, #4 & #6 FS F-F (SEE CAUTION.)

MAXON[®] 11921 Slauson Ave. Santa Fe Springs, CA. 90670 (800) 227-4116 FAX (888) 771-7713

HYDRAULIC COMPONENTS (POWER DOWN) - Continued

MAXON[®] 11921 Slauson Ave. Santa Fe Springs, CA. 90670 (800) 227-4116 FAX (888) 771-7713



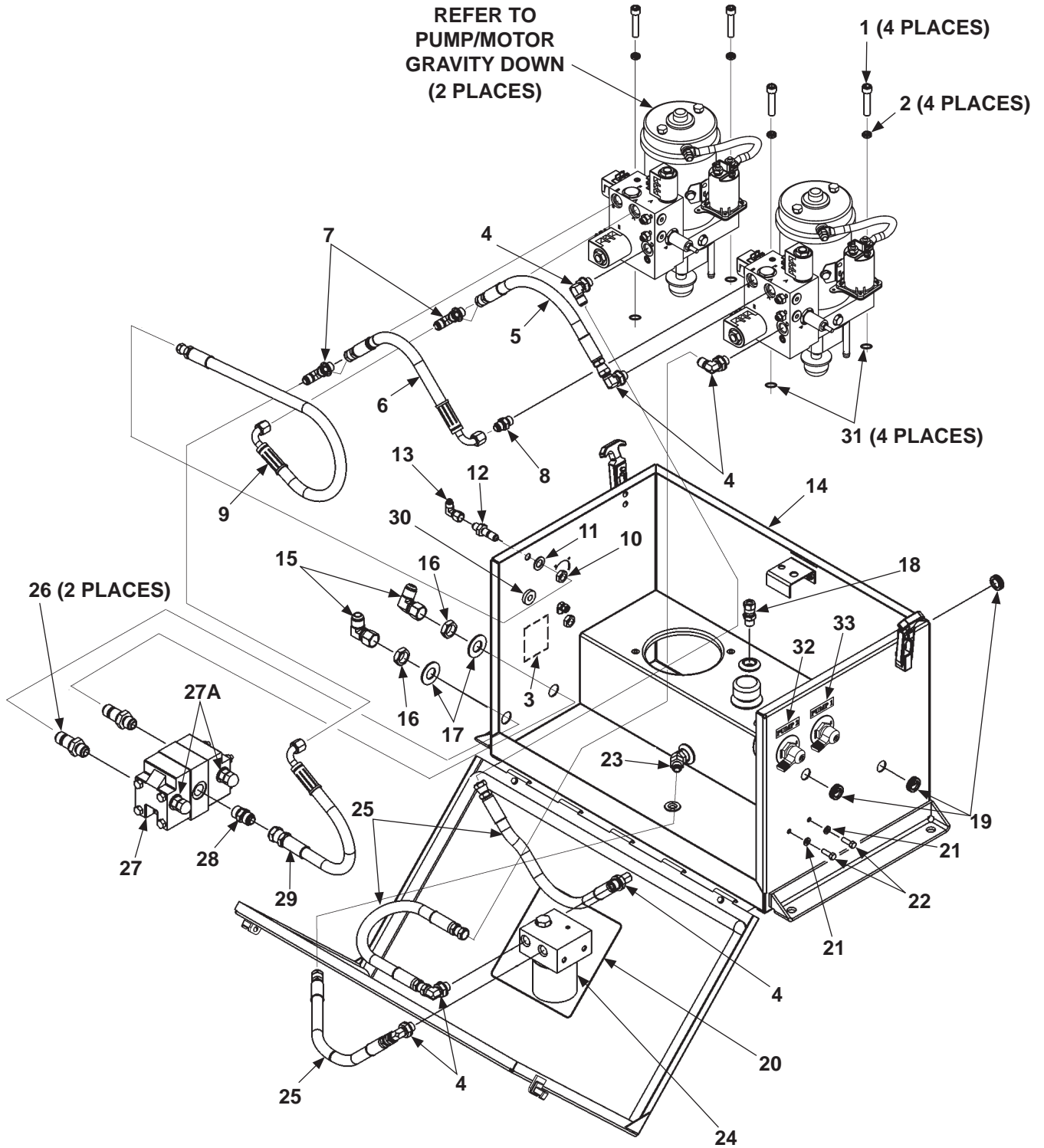
ITEM	QTY.	PART NO.	DESCRIPTION
19	1	264103	CLOSING CYLINDER
19A	1	280528	SEAL KIT, CYLINDER
19B	1	905179	CONNECTOR, #4 X #6 M-M
19C	1	253657	BEARING, SELF-LUBE
20	1	280229-01	HP HOSE, 1/4" X 34" LG, #6 FS JIC#6 F-F
		280229-02	HP HOSE, 1/4" X 166" LG, #6 FS JIC#6 F-F
		280229-03	HP HOSE, 1/4" X 286" LG, #6 FS JIC#6 F-F
21	1	280223-02	HP HOSE, 3/8" X 142" LG, #8 FS JIC#8 F-F
		280223-04	HP HOSE, 3/8" X 274" LG, #8 FS JIC#8 F-F
		280223-06	HP HOSE, 3/8" X 394" LG, #8 FS JIC#8 F-F
22	1	280223-01	HP HOSE, 3/8" X 64" LG, #8 FS JIC#8 F-F
		280223-03	HP HOSE, 3/8" X 196" LG, #8 FS JIC#8 F-F
		280223-05	HP HOSE, 3/8" X 316" LG, #8 FS JIC#8 F-F
23	1	280232-01	HP HOSE, 3/8" X 56" LG, #8 FS JIC#8 F-F
		280232-02	HP HOSE, 3/8" X 188" LG, #8 FS JIC#8 F-F
		280232-03	HP HOSE, 3/8" X 308" LG, #8 FS JIC#8 F-F
24	1	906712-01	O-RING, #4 (1/4" FACE SEAL TUBE-END)
25	11	906712-02	O-RING, #6 (3/8" FACE SEAL TUBE-END)
26	4	906712-03	O-RING, #8 (1/2" FACE SEAL TUBE-END)
27	2	905175	UNION, FACE SEAL, #6 M-M
28	1	040494	BREATHER

MAXON[®] 11921 Slauson Ave. Santa Fe Springs, CA. 90670 (800) 227-4116 FAX (888) 771-7713

DUAL PUMP ASSEMBLY (GRAVITY DOWN)

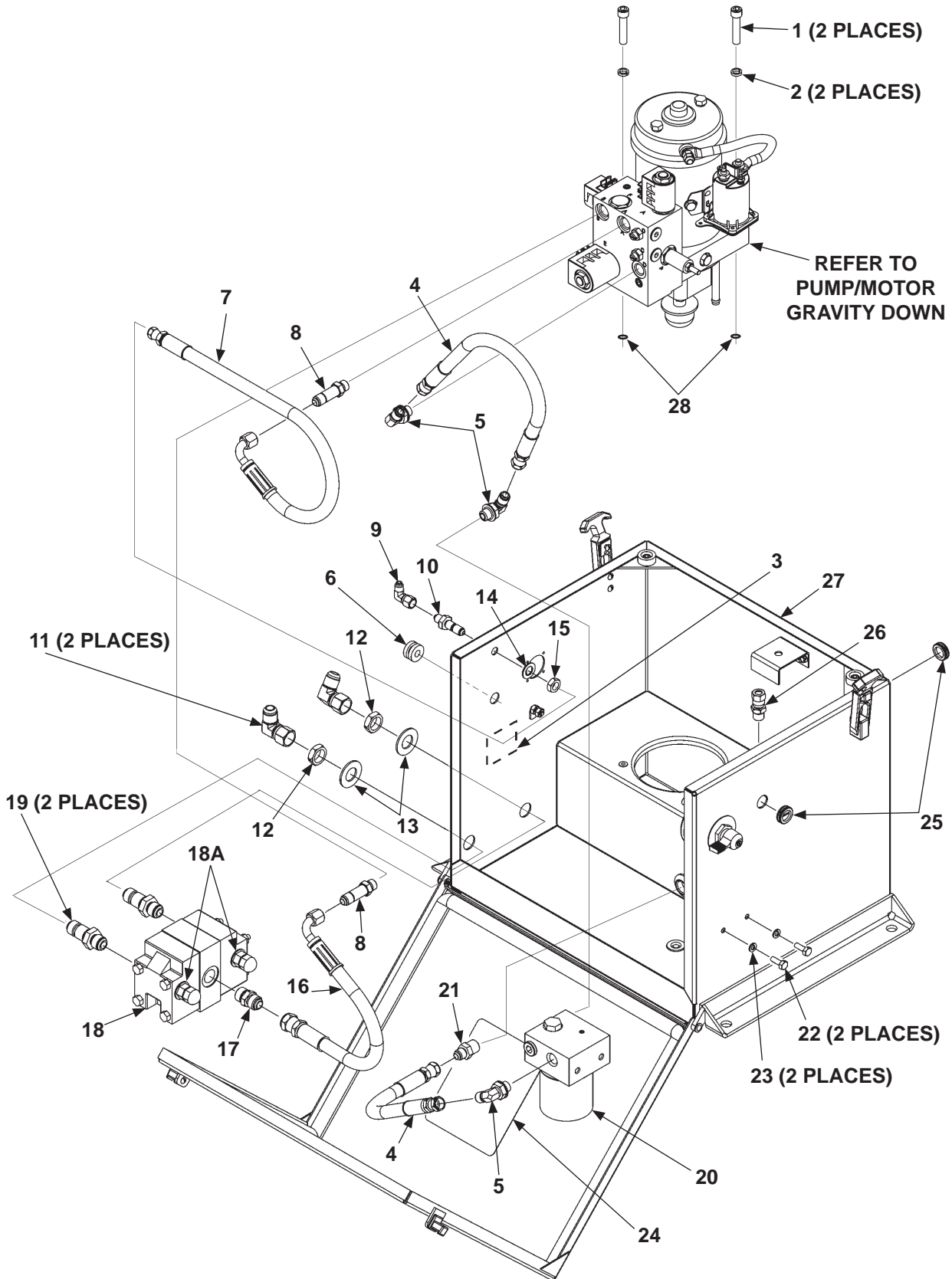
MAXON

11921 Slauson Ave. Santa Fe Springs, CA. 90670 (800) 227-4116 FAX (888) 771-7713



ITEM	QTY.	PART NO.	DESCRIPTION
REF	-	280220	DUAL PUMP ASSY, GRAVITY DOWN
1	4	263951	CAP SCREW, 3/8"-16 X 1-3/4"
2	4	263952	LOCK WASHER, 3/8"
3	1	265734-01	GROUND STUD DECAL
4	6	905152	ELBOW, 90°, SAE #6 X JIC 37 #6
5	1	264091	HP HOSE, 3/8" X 13-7/8" LG, JIC #6 F-F
6	1	263966	HP HOSE, 3/8" X 14-3/8" LG, JIC #6 F-F
7	2	264180	TEE, STRAIGHT THREAD, O-RING
8	1	905153	FITTING STR. THD. SAE #6 X JIC #6
9	1	264196	HP HOSE, 3/8" X 21-7/8", 90° JIC #6
10	1	905085	NUT, BULKHEAD, JIC #4
11	1	902000-14	FLAT WASHER, 1/2" X 7/64"
12	1	905096	STRAIGHT UNION JIC #4
13	1	905027	ELBOW, JIC #4 M-F SW
14	1	264260	PUMP BOX ASSEMBLY (DUAL PUMP)
15	2	260120	ELBOW, 90°, JIC #8-M X JIC #8-F
16	2	261462	NUT, BULKHEAD, SAE 37° FLARE TWIN
17	2	902013-16	FLAT WASHER, 3/4" X 1-1/2"
18	1	202402	AIR FITTING
19	3	261416	GROMMET, 3/4"
20	1	265330-01	DECAL, G/D HYDRAULIC FLUID LEVEL
21	2	902011-2	LOCK WASHER, 1/4" X 1/16" THK.
22	2	900004-1	HEX HEAD CAP SCREW, 1/4"-20 X 1/2"
23	1	905177	ELBOW, 45°, 3/8" NPT X 3/8" JIC
24	1	260920	SPIN-ON OIL FILTER
25	3	263967	HP HOSE, 3/8" X 16-1/8" LG, JIC #6 F-F.
26	2	261461	UNION, BULKHEAD, SAE 37° FLARE TWIN
27	1	253513	FLOW DIVIDER
27A	2	902024	WASHER, THREAD SEAL
28	1	253706	STRAIGHT UNION, SAE #8 X JIC #8 M-M
29	1	263971	HP HOSE, 3/8" X 17-9/16 LG, JIC #6 F-F
30	1	263981	GROMMET, 3/8"
31	4	908025-01	O-RING
32	1	267430-01	DECAL, PUMP 1
33	1	267430-02	DECAL, PUMP 2

SINGLE PUMP ASSEMBLY (GRAVITY DOWN)

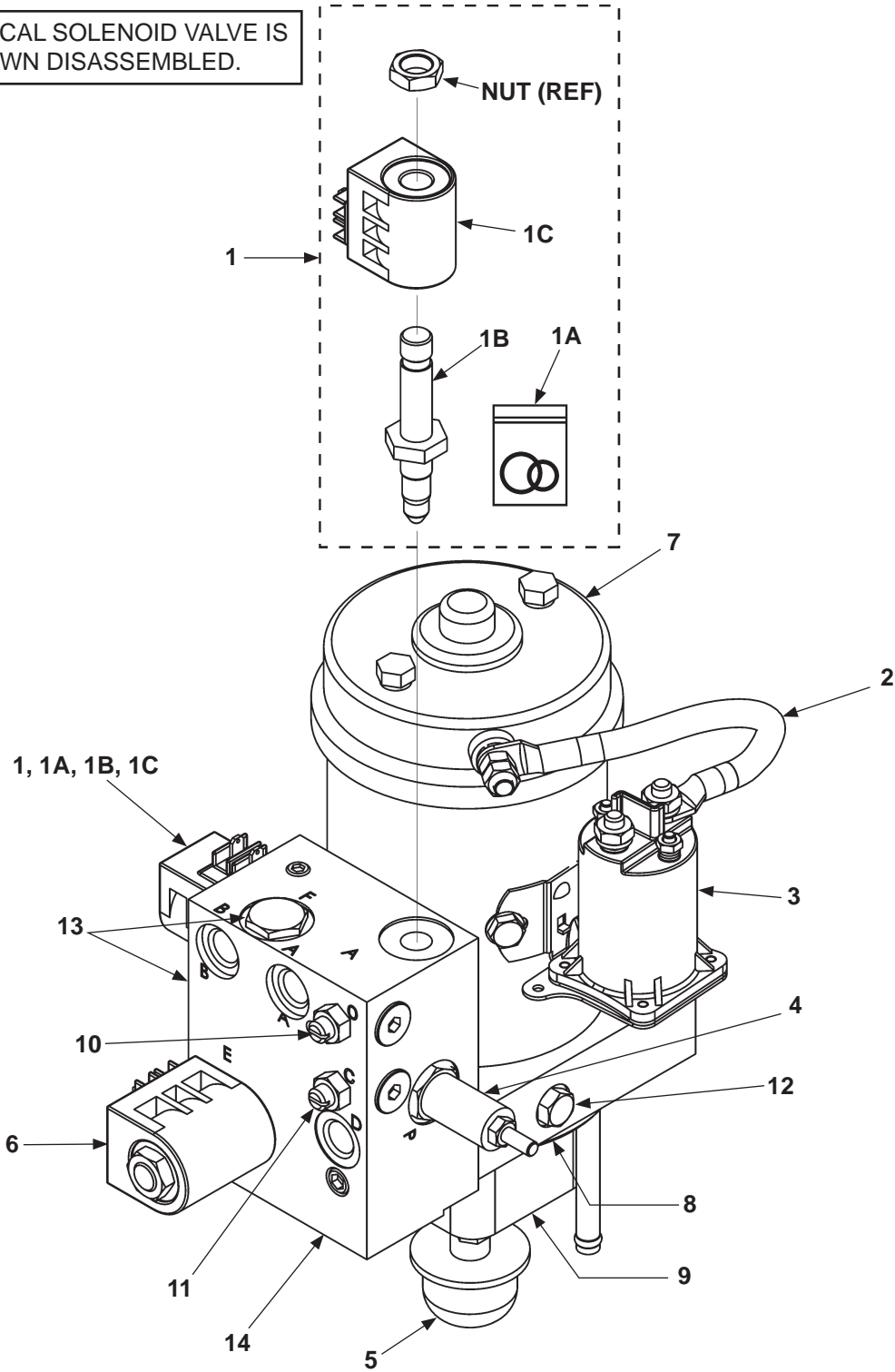


MAXON[®] 11921 Slauson Ave. Santa Fe Springs, CA. 90670 (800) 227-4116 FAX (888) 771-7713

ITEM	QTY.	PART NO.	DESCRIPTION
REF	-	280230	SINGLE PUMP ASSY, GRAVITY DOWN
1	2	263951	CAP SCREW, 3/8"-16 X 1-3/4"
2	2	263952	LOCK WASHER, 3/8"
3	1	265734-01	GROUND STUD DECAL
4	2	263967	HP HOSE, 3/8" X 16-1/8" LG, JIC #6 F-F
5	3	905152	ELBOW, 90°, SAE #6 X JIC 37 #6
6	1	263981	GROMMET, 3/8"
7	1	264196	HP HOSE, 3/8" X 21-7/8" LG, 90°, JIC #6
8	2	905214	FITTING, STR. THD., O-RING SAE #6 & JIC
9	1	905027	ELBOW, JIC #4 M-F SW
10	1	905096	STRAIGHT UNION JIC #4
11	2	260120	ELBOW, 90°, JIC #8-M X JIC #8-F
12	2	261462	NUT, BULKHEAD, SAE 37° FLARE TWIN
13	2	902000-20	FLAT WASHER, .750" X .090" THK
14	1	902000-14	FLAT WASHER, 1/2" X 7/64"
15	1	905085	NUT, BULKHEAD, JIC #4
16	1	263971	HP HOSE, 3/8" X 17-9/16" LG, JIC #6 F-F
17	1	253706	STRAIGHT UNION, SAE #8-M JIC #8-M
18	1	253513	FLOW DIVIDER
18A	2	902024	WASHER, THREAD SEAL
19	2	261461	UNION, BULKHEAD, SAE 37° FLARE TWIN
20	1	260920	SPIN-ON OIL FILTER
21	1	403071	CONNECTOR, 3/8" X 3/8" MALE
22	2	900004-1	HEX HEAD CAP SCREW, 1/4"-20 X 3/4"
23	2	902011-2	LOCK WASHER, 1/4" X 5/8"
24	1	265330-01	DECAL, G/D HYDRAULIC FLUID LEVEL
25	2	261416	GROMMET, 3/4"
26	1	202402	AIR FITTING
27	1	280241	SINGLE PUMP BOX ASSEMBLY
28	2	908025-01	O-RING

PUMP/MOTOR (GRAVITY DOWN)

NOTE: TYPICAL SOLENOID VALVE IS SHOWN DISASSEMBLED.



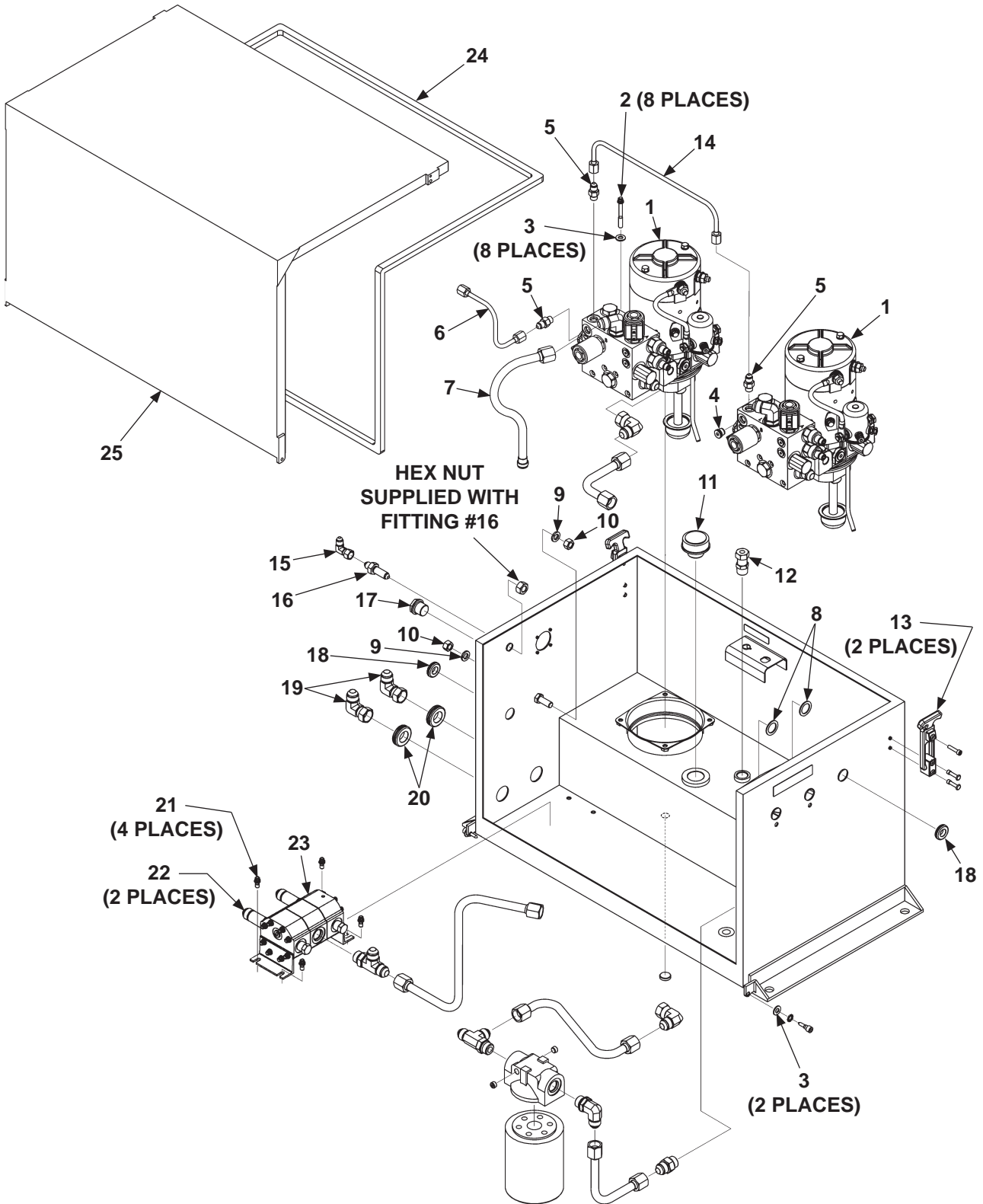
MAXON® 11921 Slauson Ave. Santa Fe Springs, CA. 90670 (800) 227-4116 FAX (888) 771-7713

ITEM	QTY.	PART NO.	DESCRIPTION
REF	-	263785	PUMP/MOTOR, GRAVITY DOWN
1	2	290043	VALVE, SOLENOID 2-WAY
1A	1	226594	O-RING KIT, 2-WAY VALVE
1B	1	290044	VALVE CARTRIDGE ONLY
1C	1	290045	COIL ONLY
2	1	268028-01	WIRE ASSEMBLY, BMRA MOTOR
3	1	268030-01	SWITCH, SOLENOID
4	1	290035	RELIEF VALVE (2400 PSI)
5	1	290034	FILTER, PUMP INLET
6	1	290019	VALVE, 2 POSITION, 3-WAY
7	1	250093	MOTOR, 12 VDC
8	1	251884	O-RING
9	1	290004	GEAR PUMP
10	1	290031	NEEDLE VALVE
11	1	290032	NEEDLE VALVE
12	1	260229	RELIEF VALVE
13	2	290033	CHECK VALVE (F&G VALVES)
14	1	290029	MANIFOLD BLOCK ASSEMBLY (WITH VALVES)

DUAL PUMP ASSEMBLY (EQUIPPED WITH STEEL LINES)

MAXON

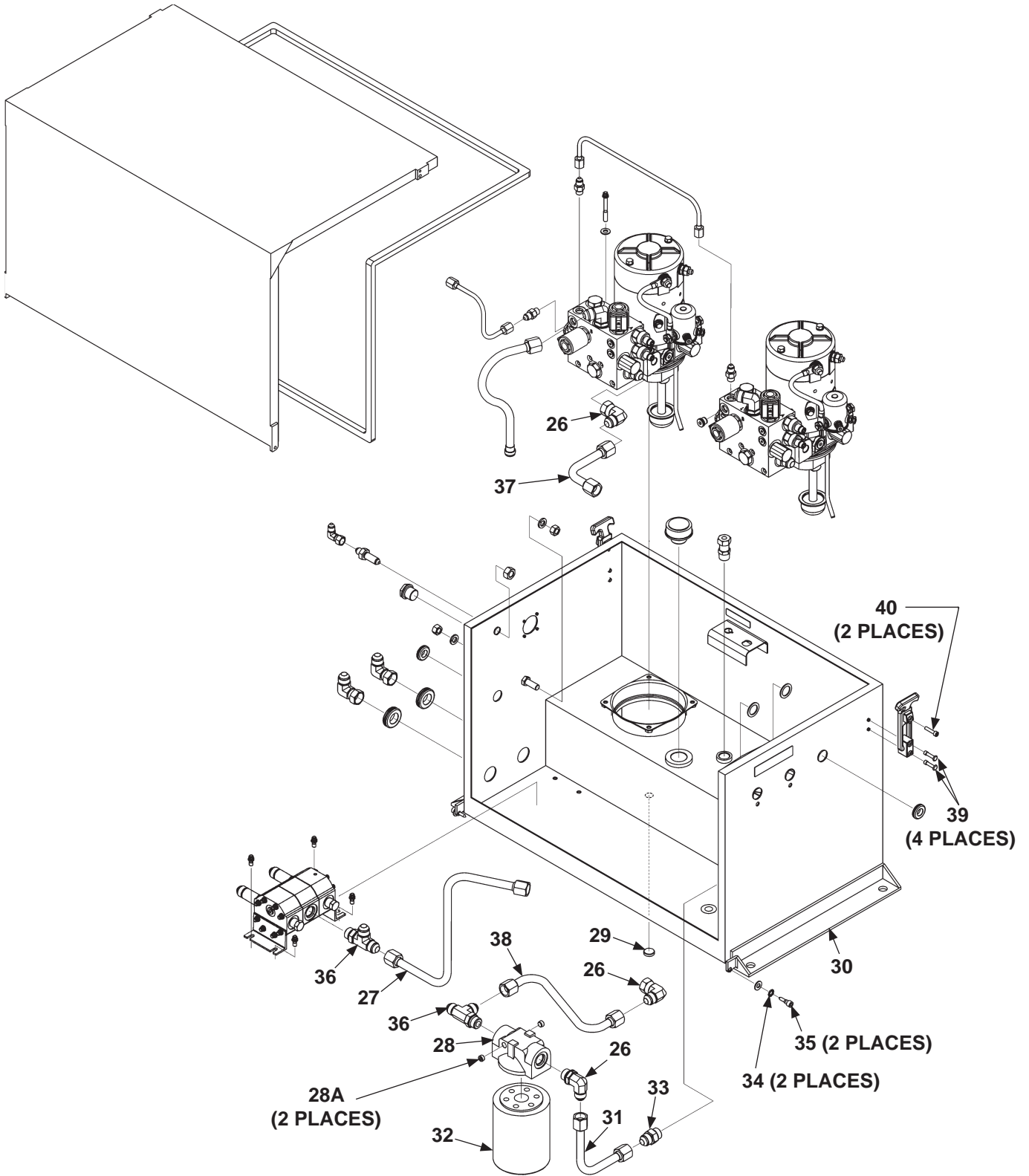
11921 Slauson Ave. Santa Fe Springs, CA. 90670 (800) 227-4116 FAX (888) 771-7713



ITEM	QTY.	PART NO.	DESCRIPTION
1	2	281800-01	HE2000 POWER UNIT ASSEMBLY (HALDEX)
2	8	REF	SCREW, 1/4"-20 X 2" LG.
3	10	REF	WASHER, 9/32" X 5/8" X 1/16"
4	1	REF	STEEL PLUG, 7/16"-20
5	3	281808-01	FITTING, #4 STRAIGHT (HALDEX)
6	1	281787-01	TUBE ASSEMBLY, MANF1-CL LINE (HALDEX)
7	1	281788-01	TUBE ASSEMBLY, MANF1-FL DIV (HALDEX)
8	2	282025-01	GASKET, BATTERY SWITCH
9	2	REF	LOCK WASHER, 3/8" X 11/16" X 3/32"
10	2	REF	HEX NUT, 3/8"-24
11	1	281802-01	BREATHER, (HALDEX)
12	1	281816-01	FITTING, AIR BRAKE TUBE, (HALDEX)
13	2	281801-01	DRAW LATCH, (HALDEX)
14	1	281853-01	TUBE ASSY, PMP1-PMP2 C/LINE, (HALDEX)
15	1	281809-01	FITTING, #4 ELBOW SWIVEL (HALDEX)
16	1	281811-01	FITTING, #4 BULKHEAD (HALDEX)
17	1	281803-01	SIGHT GLASS (HALDEX)
18	2	281804-01	GROMMET, 1/2" X 1" X 1/4" (HALDEX)
19	2	281812-01	FITTING, #8 ELBOW SWIVEL (HALDEX)
20	2	281798-01	GROMMET, 3/4" X 1-3/8" X 3/8" (HALDEX)
21	4	REF	SCREW, 1/4"-20 X 1/2" LG.
22	2	281807-01	FITTING, #8 STR EXTENDED (HALDEX)
23	1	281794-01	FLOW DIVIDER ASSEMBLY (HALDEX)
24	1	281819-01	DOOR SEAL, DUAL PUMP (HALDEX)
25	1	281821-01	BOX COVER, DUAL PUMP (HALDEX)

DUAL PUMP ASSEMBLY (EQUIPPED WITH STEEL LINES) - Continued

MAXON[®] 11921 Slauson Ave. Santa Fe Springs, CA. 90670 (800) 227-4116 FAX (888) 771-7713

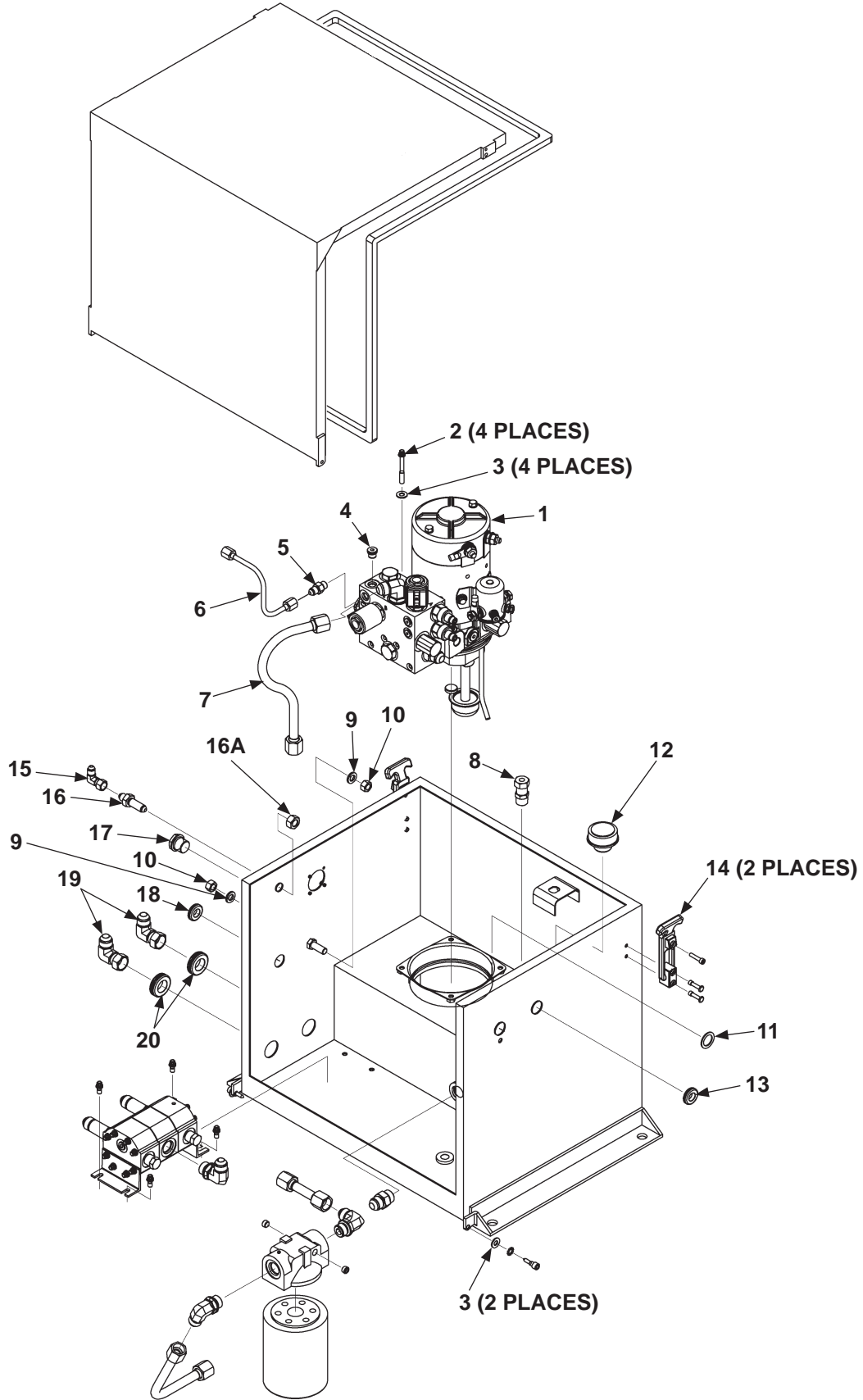


ITEM	QTY.	PART NO.	DESCRIPTION
26	3	281813-01	FITTING, #8 ELBOW (HALDEX)
27	1	281854-01	TUBE ASSEMBLY, PMP2-FL DIV (HALDEX)
28	1	281792-01	FILTER HEAD (HALDEX)
28A	2	REF	STEEL PLUG
29	1	REF	MAGNET
30	1	281820-01	RESERVOIR/BOX, DUAL PUMP (HALDEX)
31	1	281795-01	TUBE ASSEMBLY, FILTER-RESERVOIR (HALDEX)
32	1	281793-01	FILTER (HALDEX)
33	1	281814-01	FITTING, #8 STRAIGHT (HALDEX)
34	2	REF	LOCK WASHER, 13/32" X 11/16" X 1/32"
35	2	281799-01	HINGE PIN (HALDEX)
36	2	281848-01	FITTING, #8 RUN-TEE, (HALDEX)
37	1	281851-01	TUBE ASSEMBLY, PMP1-FLTR D/PMP, (HALDEX)
38	1	281852-01	TUBE ASSEMBLY, PMP2-FLTR, (HALDEX)
39	4	REF	3/16" DIA. X 1.2 LG. POP RIVET
40	2	REF	SCREW, #10-32 X 7/8" LG.

SINGLE PUMP ASSEMBLY (EQUIPPED WITH STEEL LINES)

MAXON[®]

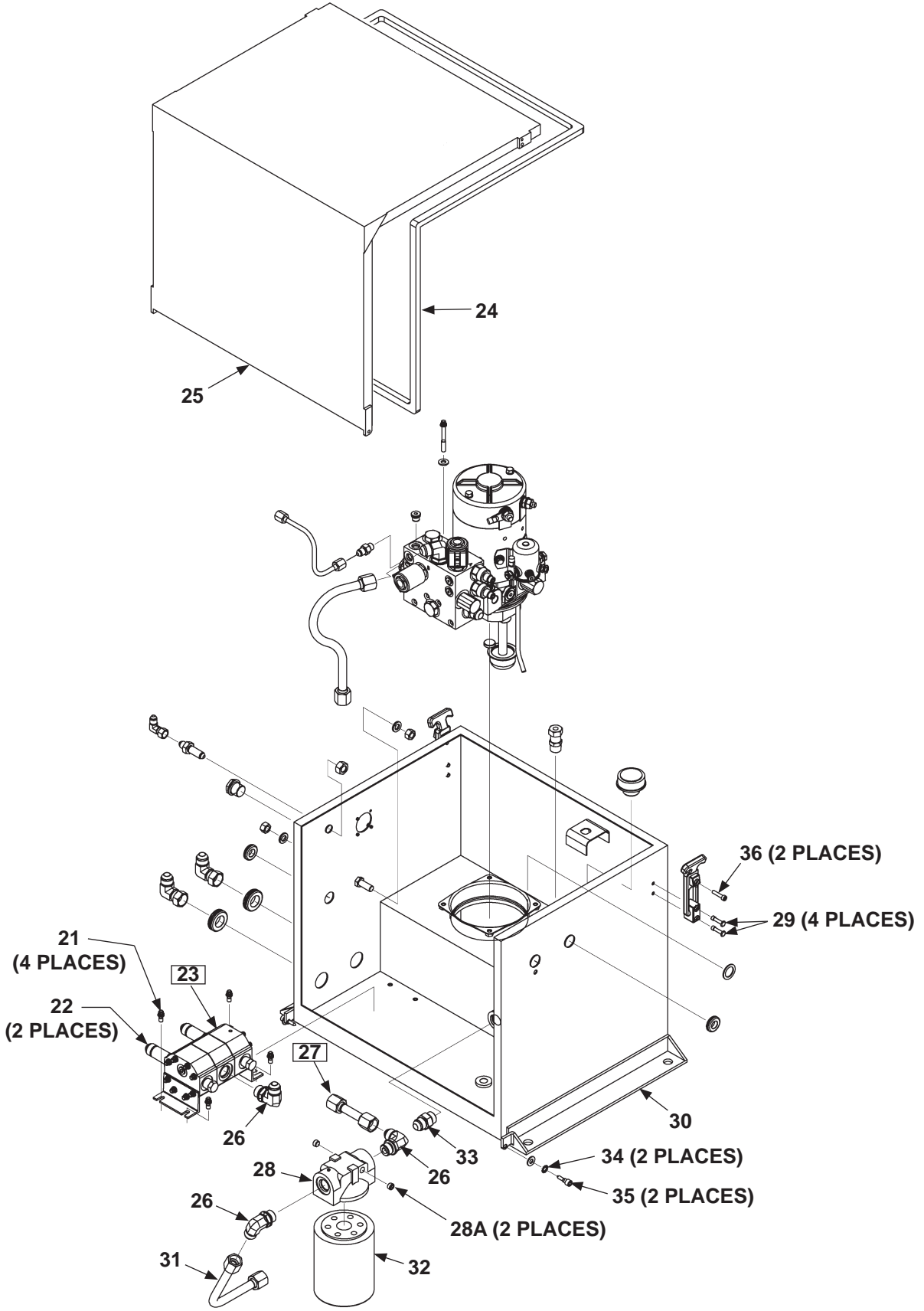
11921 Slauson Ave. Santa Fe Springs, CA. 90670 (800) 227-4116 FAX (888) 771-7713



ITEM	QTY.	PART NO.	DESCRIPTION
1	1	281800-01	HE2000 POWER UNIT ASSEMBLY (HALDEX)
2	4	REF	SCREW, 1/4"-20 X 2" LG.
3	6	REF	WASHER, 9/32" X 5/8" X 1/16"
4	1	REF	STEEL PLUG, 7/16"-20
5	1	281808-01	FITTING, #4 STRAIGHT (HALDEX)
6	1	281787-01	TUBE ASSEMBLY, MANF1-CL LINE (HALDEX)
7	1	281788-01	TUBE ASSEMBLY, MANF1-FL DIV (HALDEX)
8	1	281816-01	FITTING, AIR BRAKE TUBE (HALDEX)
9	2	REF	LOCK WASHER, 3/8" X 11/16" X 3/32"
10	2	REF	HEX NUT, 3/8"-24
11	1	REF	GASKET
12	1	281802-01	BREATHER (HALDEX)
13	1	281806-01	GROMMET, 3/8" X 7/8" X 5/16" (HALDEX)
14	2	281801-01	DRAW LATCH (HALDEX)
15	1	281809-01	FITTING, #4 ELBOW SWIVEL (HALDEX)
16	1	281811-01	FITTING, #4 BULKHEAD (HALDEX)
16A	1	REF	HEX NUT
17	1	281803-01	SIGHT GLASS (HALDEX)
18	1	281804-01	GROMMET, 1/2" X 1" X 1/4" (HALDEX)
19	2	281812-01	FITTING, #8 ELBOW SWIVEL (HALDEX)
20	2	281798-01	GROMMET, 3/4" X 1-3/8" X 3/8" (HALDEX)

SINGLE PUMP ASSEMBLY (EQUIPPED WITH STEEL LINES) - Continued

MAXON[®] 11921 Slauson Ave. Santa Fe Springs, CA. 90670 (800) 227-4116 FAX (888) 771-7713

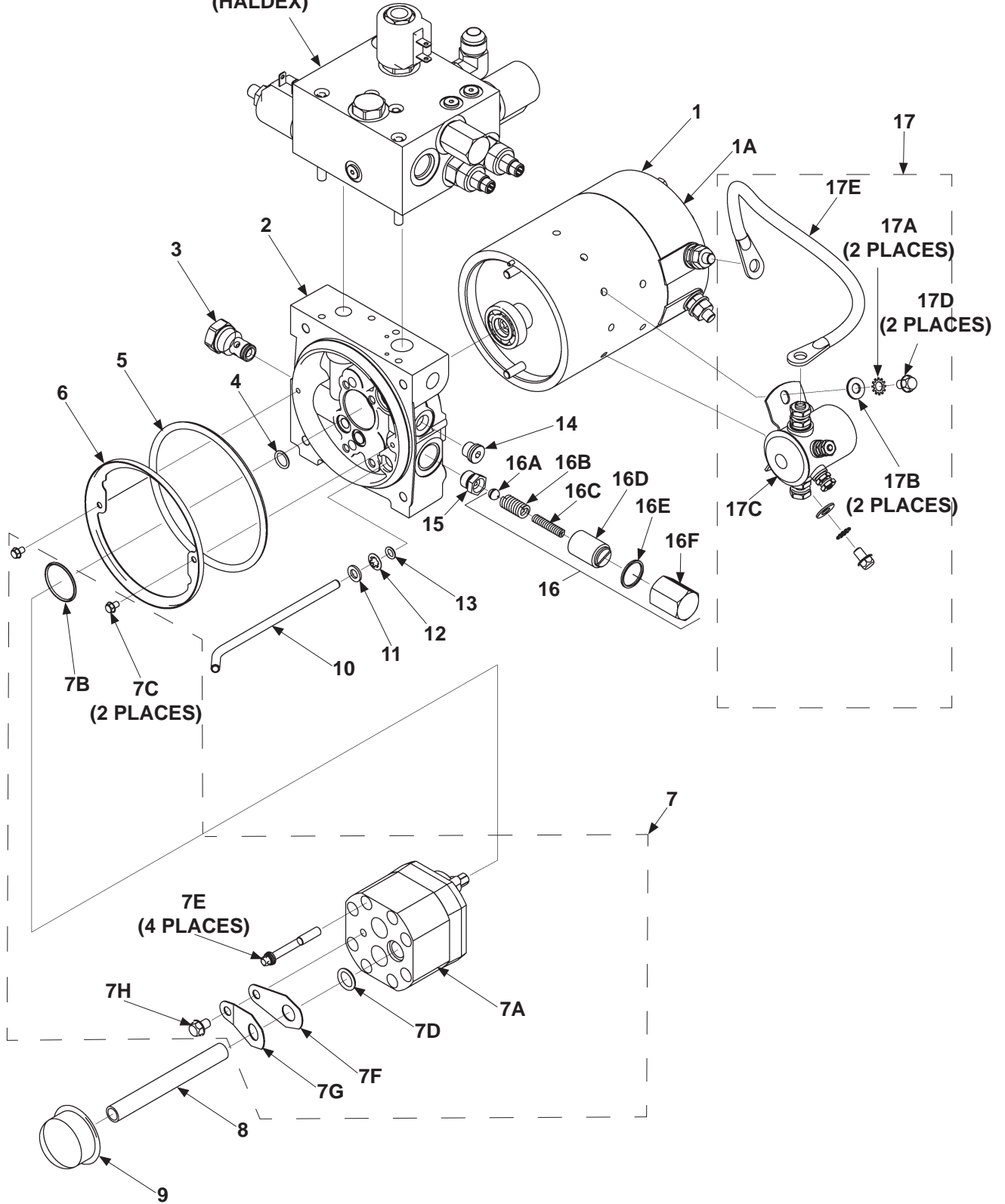


ITEM	QTY.	PART NO.	DESCRIPTION
21	4	REF	SCREW, 1/4"-20 X 1/2" LG.
22	2	281807-01	FITTING, #8 STR. EXTENDED (HALDEX)
23	1	281794-01	FLOW DIVIDER ASSY (HALDEX)
24	1	281797-01	DOOR SEAL, SINGLE PUMP (HALDEX)
25	1	281789-01	BOX COVER, SINGLE PUMP (HALDEX)
26	3	281813-01	FITTING, #8 ELBOW (HALDEX)
27	1	281791-01	TUBE ASSY, PUMP 1 FILTER (HALDEX)
28	1	281792-01	FILTER HEAD (HALDEX)
28A	2	REF	STEEL PLUG
29	4	REF	POP RIVET, 1/8" X 1-1/4" LG.
30	1	281790-01	RESERVOIR, SINGLE PUMP (HALDEX)
31	1	281795-01	TUBE ASSEMBLY, FILTER-RESERVOIR (HALDEX)
32	1	281793-01	FILTER (HALDEX)
33	2	281814-01	FITTING, #8 STRAIGHT (HALDEX)
34	2	REF	LOCK WASHER, 13/32" X 11/16" X 1/32"
35	2	281799-01	HINGE PIN (HALDEX)
36	2	REF	SCREW, #10-32 X 7/8" LG.

MAXON[®] 11921 Slauson Ave. Santa Fe Springs, CA. 90670 (800) 227-4116 FAX (888) 771-7713

PUMP/MOTOR (PUMPS EQUIPPED WITH STEEL LINES)

REFER TO
MANIFOLD ASSEMBLY
(HALDEX)



MAXON

11921 Slauson Ave. Santa Fe Springs, CA. 90670 (800) 227-4116 FAX (888) 771-7713

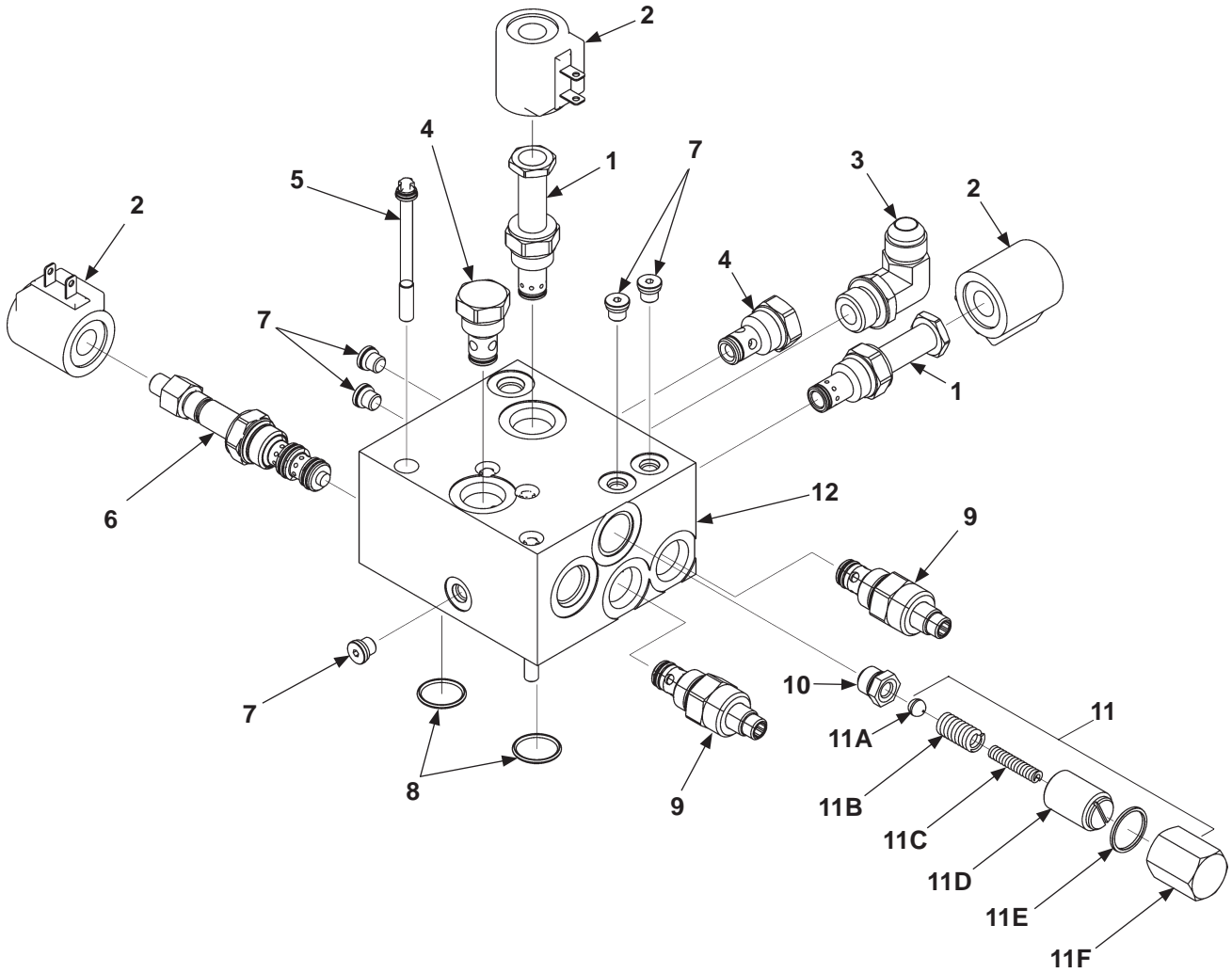
ITEM	QTY.	PART NO.	DESCRIPTION
1	1	281810-01	DC MOTOR (HALDEX)
1A	1	281855-01	KIT BRUSH SERVICE (HALDEX)
2	1	REF	ADAPTOR
3	1	281826-01	CHECK VALVE (HALDEX)
4	1	281831-01	O-RING, 7/16" X 9/16" X 1/16" (HALDEX)
5	1	281832-01	O-RING, 4-3/8" X 4-7/8" X 3/16" (HALDEX)
6	1	REF	RETAINING RING
7	1	REF	GC PUMP ASSEMBLY
7A	1	281835-01	SERVICE PUMP (HALDEX)
7B	1	281833-01	O-RING, 1-1/8" X 1-1/4" X 1/16" (HALDEX)
7C	2	REF	SCREW, #8-32 X 1/4" LG.
7D	1	281834-01	O-RING, 1/2" X 11/16" X 3/32" (HALDEX)
7E	4	281846-01	SCREW, 1/4"-20 X 2" LG. (HALDEX)
7F	1	REF	RETAINING CLIP
7G	1	REF	SPRING CLIP
7H	1	REF	SCREW, 1/4"-20 X 3/8" LG.
8	4.5 IN	281836-01	INLET TUBE, 1/2" O.D. (HALDEX)
9	1	281837-01	STRAINER (HALDEX)
10	1	281838-01	RETURN TUBE, 1/4" O.D. (HALDEX)
11	1	REF	SPACER, 9/32" X 1/2" X 1/16"
12	1	REF	RETAINING RING
13	1	281839-01	O-RING, 1/4" X 3/8" X 1/16" (HALDEX)
14	1	REF	STEEL PLUG, 7/16"-20 SAE
15	1	REF	SEAT ASSEMBLY
16	1	281830-01	RELIEF VALVE KIT (HALDEX)
16A	1	REF	BALL, 5/16" DIA.
16B	1	REF	PRIMARY SPRING (HALDEX)
16C	1	REF	BOOSTER SPRING (HALDEX)
16D	1	REF	ADJUSTMENT SCREW
16E	1	REF	GASKET
16F	1	REF	HEX CAP
17	1	281843-01	START SWITCH KIT (HALDEX)
17A	2	REF	LOCK WASHER, 13/32" X 11/16" X 1/32"
17B	2	281847-01	FLAT WASHER, 11/32" X 5/8" X 1/16" (HALDEX)
17C	1	REF	START SWITCH
17D	2	REF	SCREW, 1/4"-20 X 3/8" LG.
17E	1	REF	LEAD WIRE, #4 AWG

MAXON® 11921 Slauson Ave. Santa Fe Springs, CA. 90670 (800) 227-4116 FAX (888) 771-7713

MANIFOLD ASSEMBLY (PUMPS WITH STEEL LINES, ONLY)

MAXON[®]

11921 Slauson Ave. Santa Fe Springs, CA. 90670 (800) 227-4116 FAX (888) 771-7713

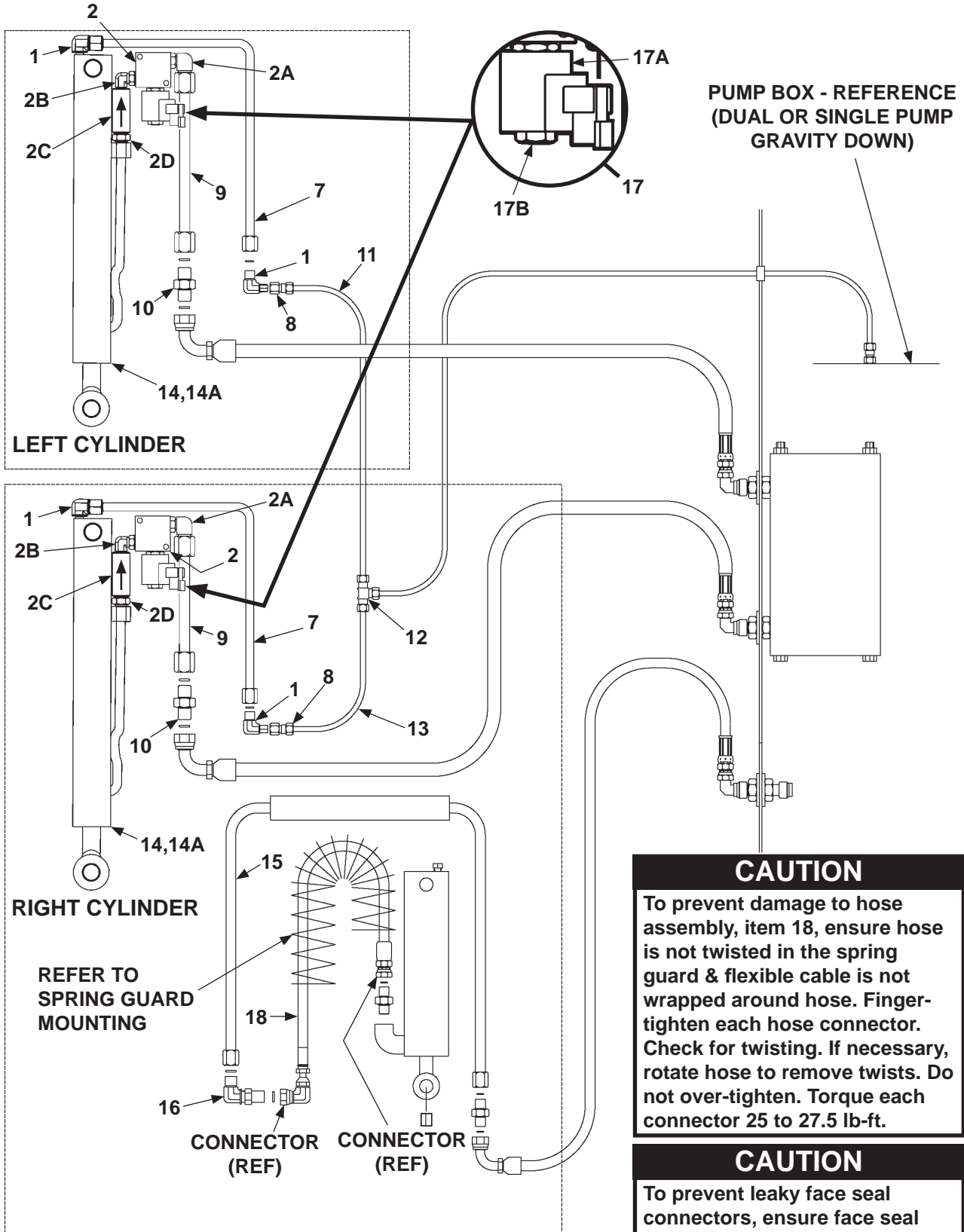


ITEM	QTY.	PART NO.	DESCRIPTION
REF	1	281805-01	MANIFOLD ASSEMBLY (HALDEX)
1	2	281823-01	2 POSITION / 2 WAY VALVE (HALDEX)
2	3	281824-01	SOLENOID COIL, 10V (HALDEX)
3	1	281813-01	FITTING, #8 ELBOW (HALDEX)
4	2	281826-01	CHECK VALVE (HALDEX)
5	4	REF	SCREW, 1/4"-20 X 2-3/4" LG.
6	1	281827-01	2 POSITION / 3 WAY VALVE
7	5	REF	STEEL PLUG, 5/16"-24 SAE
8	2	281828-01	O-RING, 3/4" X 7/8" X 1/16" (HALDEX)
9	2	281829-01	NEEDLE VALVE (HALDEX)
10	1	REF	SEAT ASSEMBLY
11	1	281830-01	RELIEF VALVE KIT (HALDEX)
11A	1	REF	BALL
11B	1	REF	SPRING, MAIN
11C	1	REF	SPRING, BOOSTER
11D	1	REF	ADJUSTMENT SCREW
11E	1	REF	GASKET
11F	1	REF	HEX CAP
12	1	REF	MANIFOLD BLOCK

MAXON

11921 Slauson Ave. Santa Fe Springs, CA. 90670 (800) 227-4116 FAX (888) 771-7713

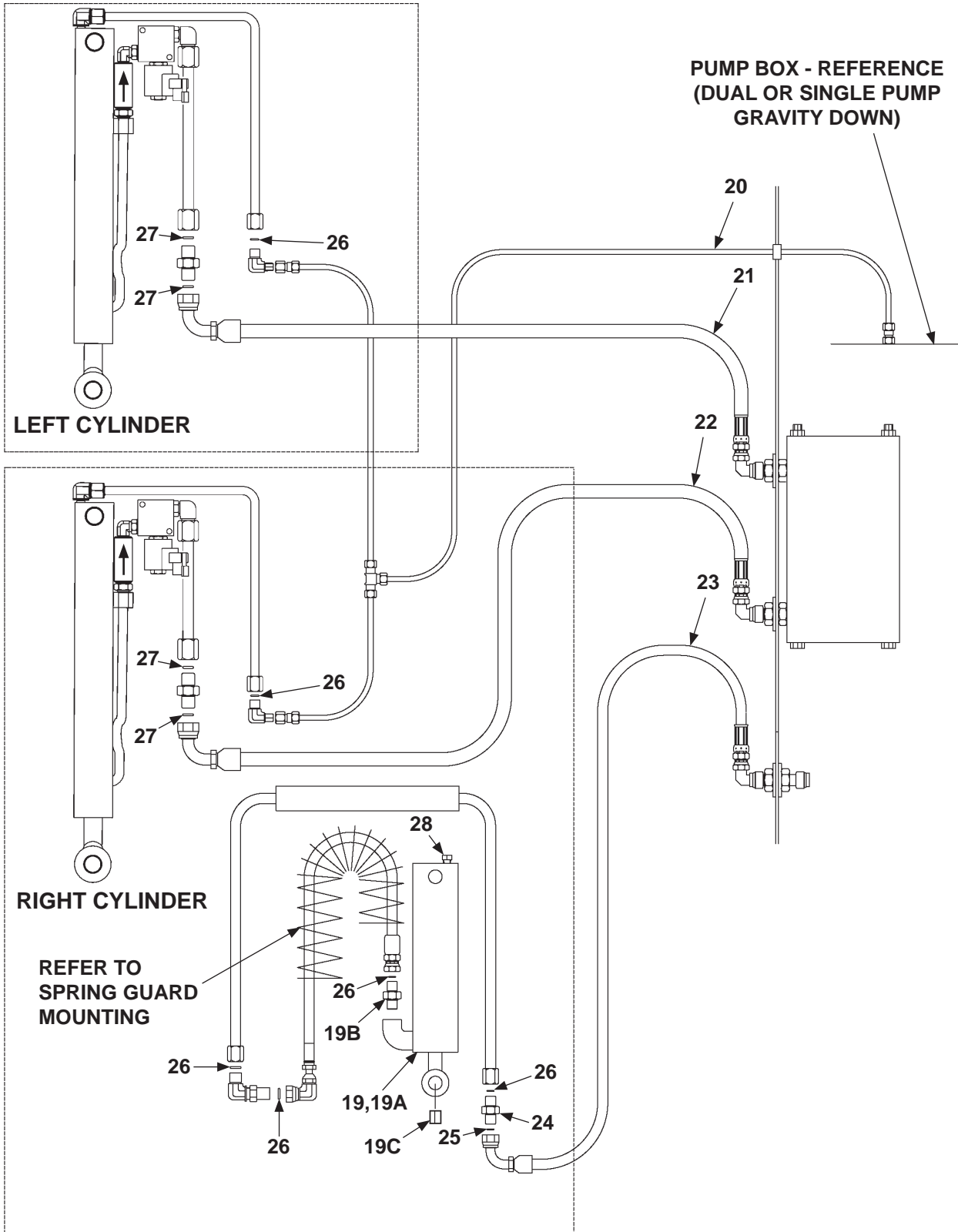
HYDRAULIC COMPONENTS (GRAVITY DOWN)



ITEM	QTY.	PART NO.	DESCRIPTION
1	4	905157	ELBOW, 3/8" X 1/4" M-M
2	2	264307	HYDRAULIC LOCK & VALVE
2A	2	905158	ELBOW STRAIGHT, #8 X #6 M-M
2B	2	260164	ELBOW, 90° STRAIGHT, #6 X 1/4" M-M
2C	2	253745	VALVE PRESSURE COMPENSATED, 3GPM
2D	2	905176	STRAIGHT CONNECTOR, #8 X #4 M-M
3	-	-	(PART WAS INTENTIONALLY REMOVED)
4	-	-	(PART WAS INTENTIONALLY REMOVED)
5	-	-	(PART WAS INTENTIONALLY REMOVED)
6	-	-	(PART WAS INTENTIONALLY REMOVED)
7	2	280629-01	RETURN TUBE ASSEMBLY
8	2	905156	AIR BRAKE CONNECTOR
9	2	280628-01	LIFTING TUBE ASSEMBLY
10	2	905161	UNION, #8 M-M
11	1	099996-05	TUBING, 108" LG.
12	1	905155	TEE, 3/8"
13	1	099996-06	TUBING, 24" LG.
14	2	280663-01	CYLINDER, 1-3/4" DIA. X 53-1/8" STROKE (BMRA-35/-44)
		280663-02	CYLINDER, 2" DIA. X 53-1/8" STROKE (BMRA-55/-66)
14A	1	280524	SEAL KIT, CYL. (BMRA-35/-44)
		280523	SEAL KIT, CYL. (BMRA-55/-66)
15	1	280630-01	"U" TUBE ASSEMBLY, 98" X 11"
16	1	905162	ELBOW, BULKHEAD UNION, #6 M-M
17	2	906825-01	VALVE ASSEMBLY, IMMERSION PROOF, 12 VDC

HYDRAULIC COMPONENTS (GRAVITY DOWN) - Continued

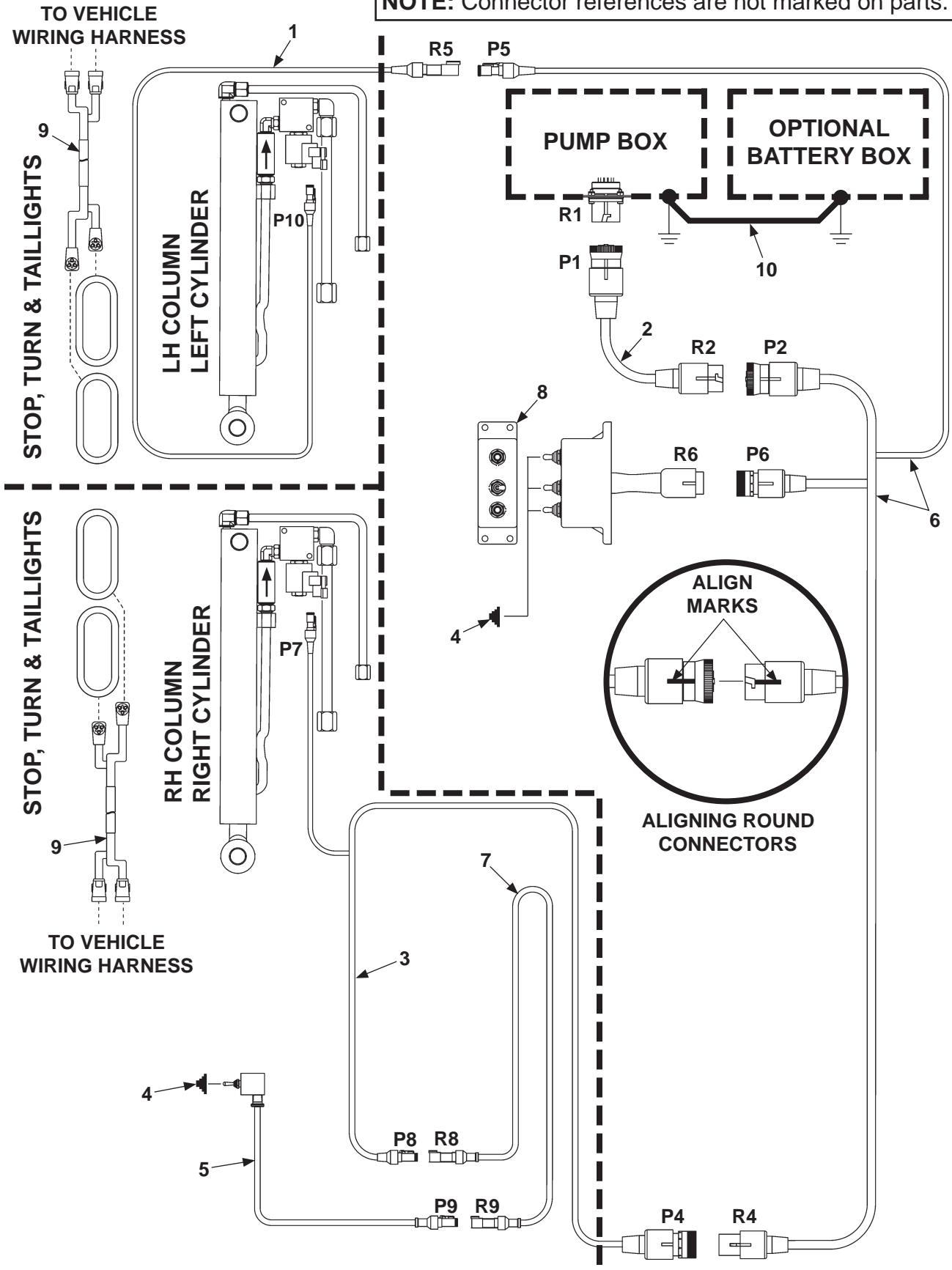
MAXON® 11921 Slauson Ave. Santa Fe Springs, CA. 90670 (800) 227-4116 FAX (888) 771-7713



ITEM	QTY.	PART NO.	DESCRIPTION
19	1	264103	CLOSING CYLINDER
19A	1	280528	SEAL KIT, CYLINDER
19B	1	905179	CONNECTOR, #4 X #6 M-M
19C	1	253657	BEARING, SELF LUBE
20	1	099996-02	TUBING, 84" LG.
		099996-03	TUBING, 192" LG.
		099996-08	TUBING, 324" LG.
21	1	280223-02	HP HOSE, 3/8" X 166" LG, #8 FS
		280223-04	HP HOSE, 3/8" X 274" LG, #8 FS
		280223-06	HP HOSE, 3/8" X 394" LG, #8 FS
22	1	280223-01	HP HOSE, 3/8" X 64" LG, #8 FS
		280223-03	HP HOSE, 3/8" X 196" LG, #8 FS
		280223-05	HP HOSE, 3/8" X 316" LG, #8 FS
23	1	280232-01	HP HOSE, 3/8" X 56" LG, #8 FS
		280232-02	HP HOSE, 3/8" X 188" LG, #8 FS
		280232-03	HP HOSE, 3/8" X 308" LG, #8 FS
24	1	905180	UNION, FACE SEAL, #6-#4, 1/4"M-3/8"M
25	1	906712-01	O-RING, #4 (1/4" FACE SEAL TUBE-END)
26	6	906712-02	O-RING, #6 (3/8" FACE SEAL TUBE-END)
27	4	906712-03	O-RING, #8 (1/2" FACE SEAL TUBE-END)
28	1	040494	BREATHER

ELECTRICAL COMPONENTS SECTION

NOTE: Connector references are not marked on parts.

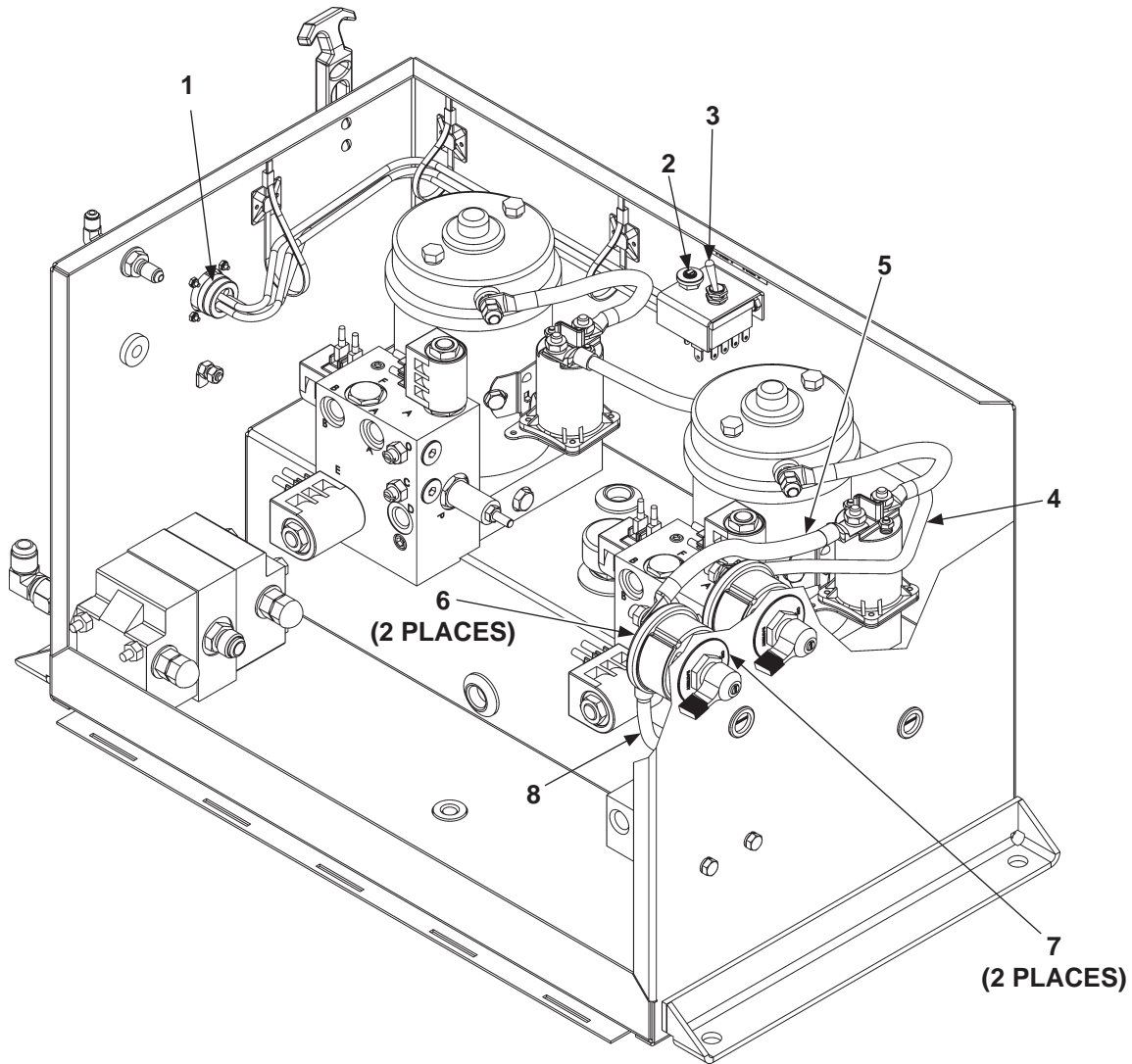


MAXON® 11921 Slauson Ave. Santa Fe Springs, CA. 90670 (800) 227-4116 FAX (888) 771-7713

NOTE: MAXON recommends using dielectric grease on all electrical connections.

ITEM	QTY.	PART NO.	DESCRIPTION
1	1	268146-01	MOLDED CABLE, (LH COLUMN)
2	1	268143-04	MOLDED EXTENSION CABLE, PUMP BOX, 267" LG.
		268143-03	MOLDED EXTENSION CABLE, PUMP BOX, 147" LG.
		268143-02	MOLDED EXTENSION CABLE, PUMP BOX, 63" LG.
3	1	268140-01	MOLDED HARNESS, (RH COLUMN)
4	4	905206	SWITCH SEAL BOOT, HALF-TOGGLE
5	1	268142-01	MOLDED SWITCH & CABLE, BMRA
6	1	280285	INTERCONNECT HARNESS, BMR-A GRAVITY DOWN
		280286	INTERCONNECT HARNESS, BMR-A POWER DOWN
7	1	280693-01	CABLE ASSEMBLY FLEXIBLE
8	1	280253	CONTROL BOX BMR-A POWER DOWN
		280252	CONTROL BOX BMR-A GRAVITY DOWN
9	2	280625-01	HARNESS ASSEMBLY, STOP, TURN & TAILLIGHTS (FOR COLUMNS EQUIPPED WITH LIGHTS, ONLY)
10	1	268226-06	CABLE, 2 GA, 74" LG. (ELECTRICAL GROUND)

ELECTRICAL COMPONENTS - DUAL PUMP BOX



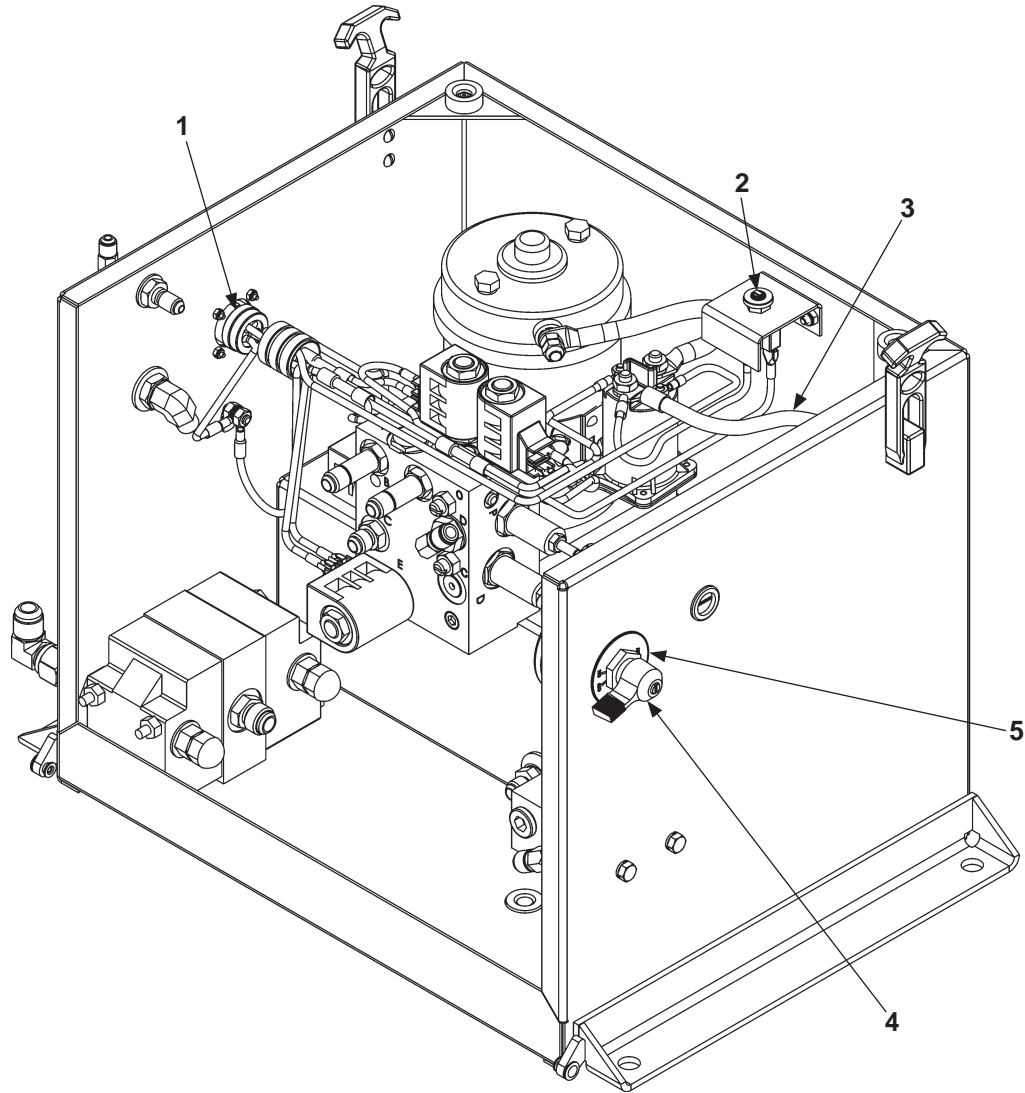
NOTE: MAXON recommends using dielectric grease on all electrical connections.

ITEM	QTY.	PART NO.	DESCRIPTION
1	1	280235	SOLENOID HARNESS, GRAVITY DOWN
		264255	SOLENOID HARNESS, POWER DOWN
2	2	264179	CIRCUIT BREAKER, 10 AMP
3	1	264163	TOGGLE SWITCH, 2 POSITION
4	1	268226-02	CABLE ASSEMBLY 2GA, 28" LG.
5	1	268226-01	CABLE ASSEMBLY, 2GA, 10" LG.
6	2	228754	SWITCH, MASTER DISCONNECT
7	2	228755	PLATE, SWITCH FACE
8	1	251871-25	CABLE ASSEMBLY, 2GA, 7" LG.

MAXON®

11921 Slauson Ave. Santa Fe Springs, CA. 90670 (800) 227-4116 FAX (888) 771-7713

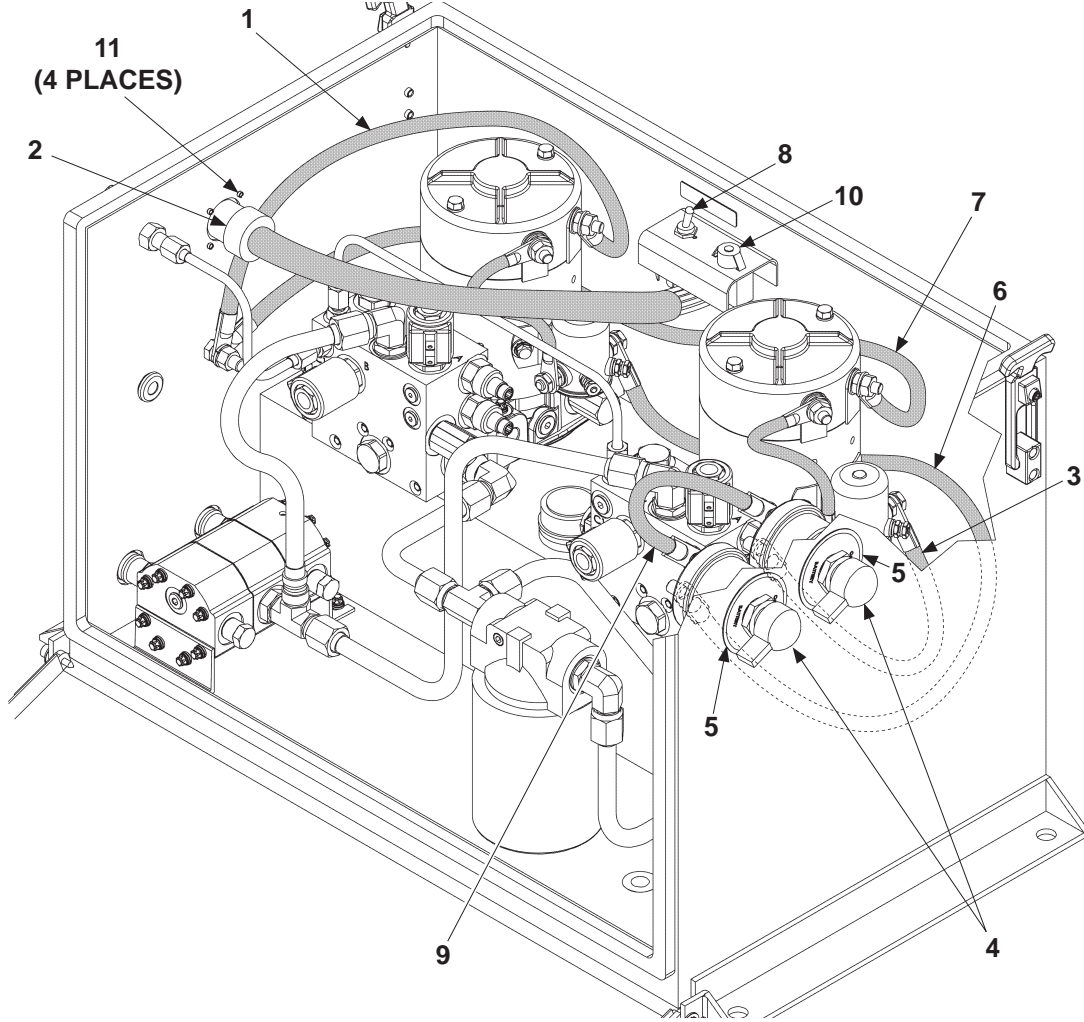
ELECTRICAL COMPONENTS - SINGLE PUMP BOX



NOTE: MAXON recommends using dielectric grease on all electrical connections.

ITEM	QTY.	PART NO.	DESCRIPTION
1	1	280225	SOLENOID HARNESS, GRAVITY DOWN
		280242	SOLENOID HARNESS, POWER DOWN
2	1	264179	CIRCUIT BREAKER, 10 AMP
3	1	268226-03	CABLE ASSEMBLY, 2GA, 25" LG.
4	1	228754	SWITCH, MASTER DISCONNECT
5	1	228755	PLATE, SWITCH FACE

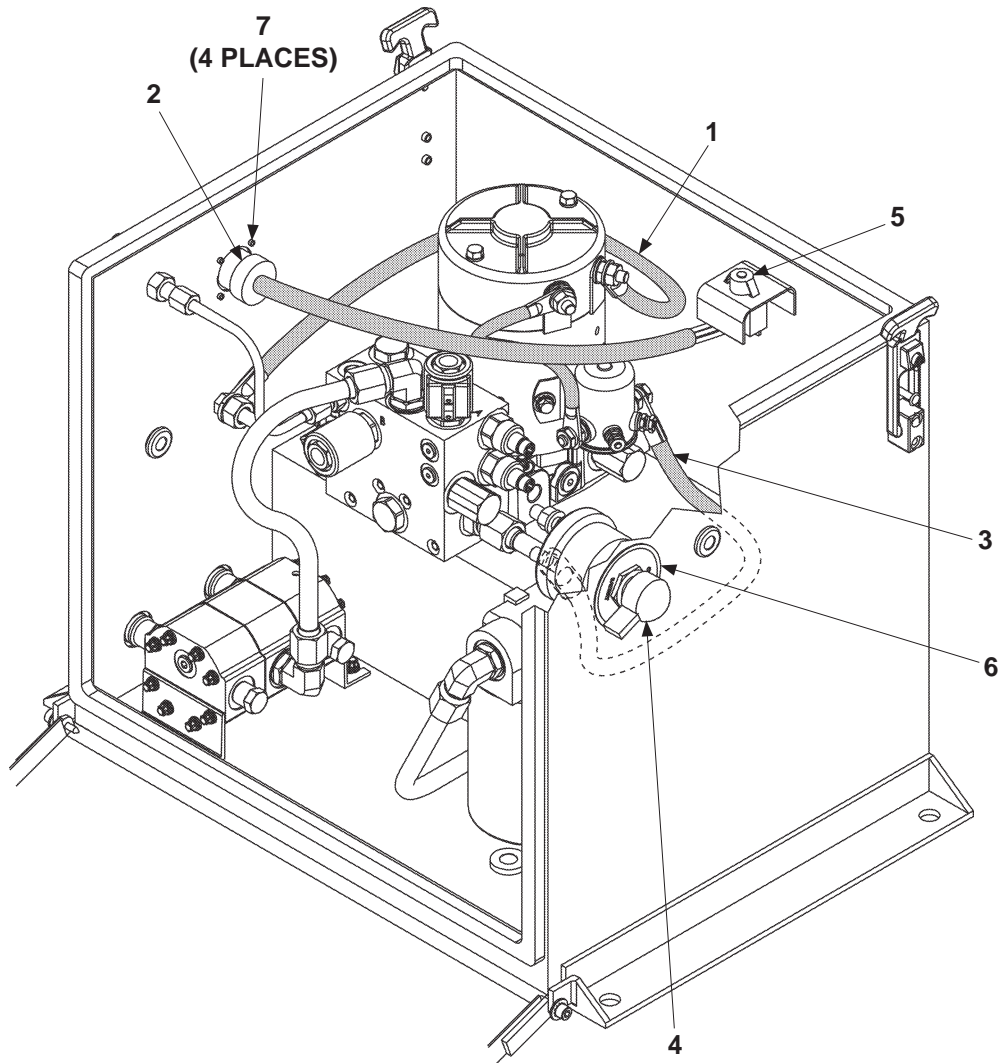
**ELECTRICAL COMPONENTS - DUAL PUMP BOX
(EQUIPPED WITH STEEL LINES)**



NOTE: MAXON recommends using dielectric grease on all electrical connections.

ITEM	QTY.	PART NO.	DESCRIPTION
1	1	REF	LEAD WIRE, BLACK
2	1	281822-01	WIRING HARNESS, D/PUMP G/D (HALDEX)
3	1	REF	LEAD WIRE, RED
4	2	281818-01	BATTERY DISCONNECT SWITCH (HALDEX)
5	2	REF	SWITCH PLATE
6	1	REF	LEAD WIRE, RED
7	1	REF	LEAD WIRE, BLACK
8	1	281849-01	TOGGLE SWITCH (HALDEX)
9	1	REF	TERMINAL STRAP
10	1	281817-01	CIRCUIT BREAKER, 10 AMP (HALDEX)
11	4	REF	POP RIVET, 1/8" X 3/8" LG.

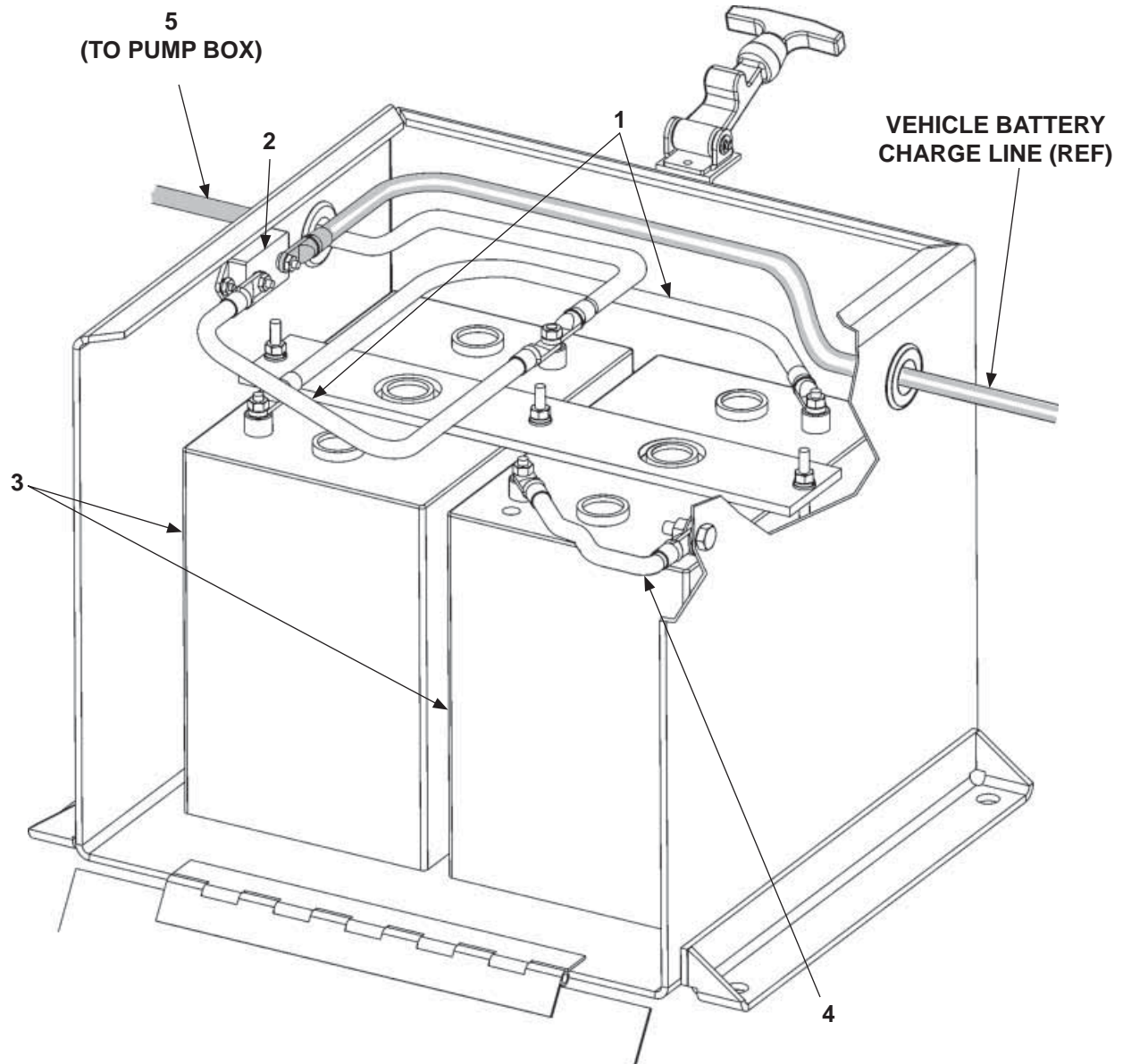
ELECTRICAL COMPONENTS - SINGLE PUMP BOX (EQUIPPED WITH STEEL LINES)



NOTE: MAXON recommends using dielectric grease on all electrical connections.

ITEM	QTY.	PART NO.	DESCRIPTION
1	1	REF	LEAD WIRE, BLACK
2	1	281796-01	WIRING HARNESS, SINGLE PUMP G/D (HALDEX)
3	1	REF	LEAD WIRE, RED
4	1	281818-01	BATTERY DISCONNECT SWITCH (HALDEX)
5	1	281817-01	CIRCUIT BREAKER, 10 AMP (HALDEX)
6	1	REF	SWITCH PLATE
7	4	REF	POP RIVET, 1/8" DIA. X 3/8" LG.

ELECTRICAL COMPONENTS - BATTERY BOX



NOTE: Illustration shows 6 volt batteries connected in series.

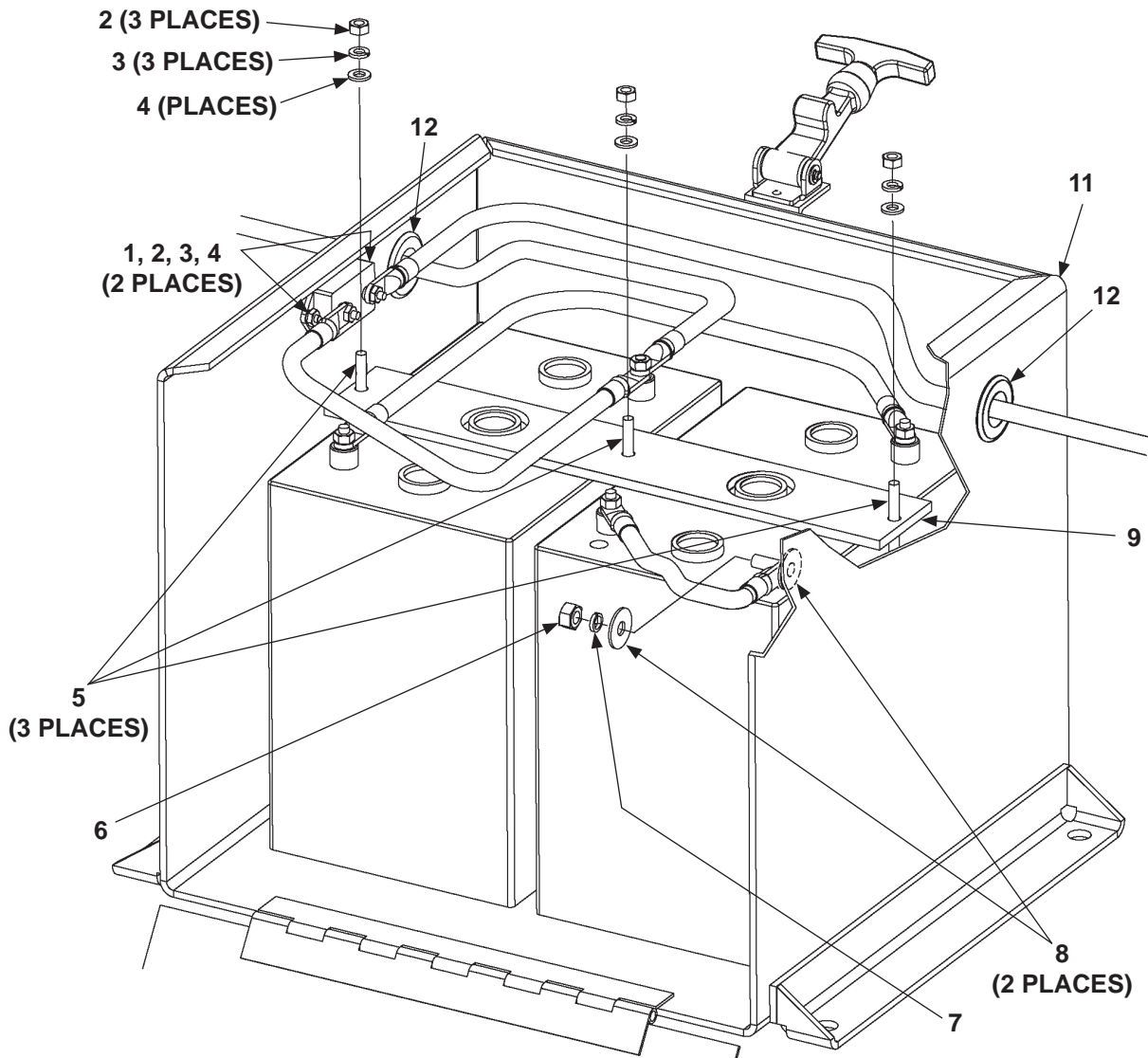
NOTE: MAXON recommends using dielectric grease on all electrical connections.

ITEM	QTY.	PART NO.	DESCRIPTION
1	2	251871-05	CABLE ASSEMBLY
2	1	221736	CIRCUIT BREAKER 150 AMP
3	2	250934	BATTERY, 6V HEAVY DUTY
4	2	251871-14	CABLE ASSY (6V BATTERIES IN SERIES REQUIRE 1 CABLE. 12V BATTERIES IN PARALLEL REQUIRE 2 CABLES.)
5	1	251871-11	CABLE ASSEMBLY

MAXON[®]

11921 Slauson Ave. Santa Fe Springs, CA. 90670 (800) 227-4116 FAX (888) 771-7713

BATTERY BOX



ITEM	QTY.	PART NO.	DESCRIPTION
REF	1	280260-02	BATTERY BOX ASSY (WITHOUT BATTERIES)
1	2	900002-4	PAN HEAD SCREW 1/4"-20
2	5	901011-1	HEX NUT, 1/4"-20
3	5	902011-2	LOCK WASHER, 1/4"
4	7	902000-1	FLAT WASHER, 1/4"
5	3	227722	ROD, BATTERY HOLD DOWN
6	1	901005	HEX NUT, 5/16"-18
7	1	902011-3	LOCK WASHER, 5/16"
8	2	902000-7	FLAT WASHER, 5/16"
9	1	250479	BATTERY HOLD DOWN
10	1	215139	CATCH & FASTENER
11	1	264022	DUAL BATTERY BOX
12	2	251097	GROMMET, RUBBER 7/8 X 1-5/8

MAXON[®] 11921 Slauson Ave. Santa Fe Springs, CA. 90670 (800) 227-4116 FAX (888) 771-7713

