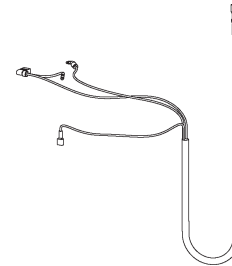
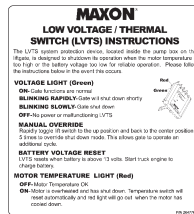
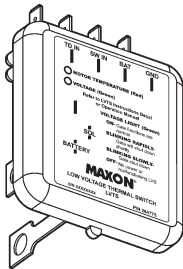


INSTRUCTION, LOW VOLTAGE THERMAL SWITCH (LVTS) INSTALLATION KIT

(MTB, GPT, & 80 SERIES GRAVITY DOWN AND POWER DOWN LIFTGATES)

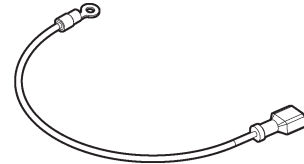
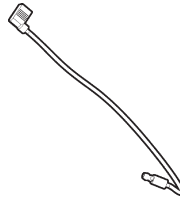
KIT P/N 280574-01



LOW VOLTAGE THERMAL SWITCH (LVTS)
QTY. 1
P/N 905291

INSTRUCTIONS DECAL
QTY. 1
P/N 264776

LVTS ELECTRICAL HARNESS
QTY. 1
P/N 280571-01



BLACK WIRE ASSEMBLY
QTY. 1
P/N 280537-01

GREEN WIRE ASSEMBLY
QTY. 1
P/N 280573-01

**BLACK WIRE ASSY
(POWER DOWN ONLY)**
QTY. 1
P/N 266385-01

⚠ WARNING

To prevent personal injury and equipment damage, make sure power is disconnected from Liftgate while installing electrical parts.

1. Remove nut from positive (+) battery terminal connector. Disconnect the Fused Power Cable (**FIG. 1**). Reinstall nut.

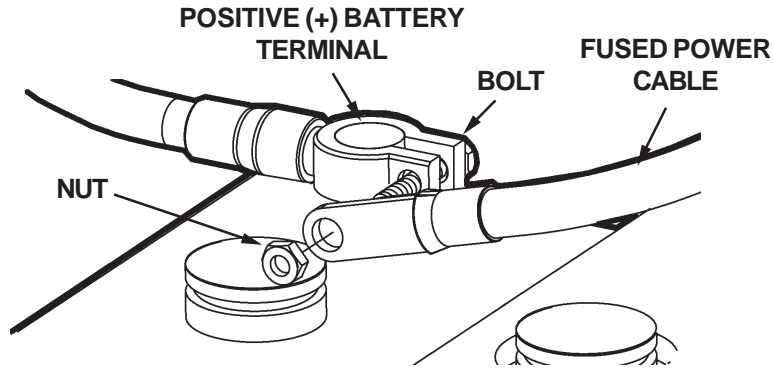


FIG. 1

2. Remove 2 self-tapping screws and existing Switch Control from Vertical Post (**FIG. 2A**) on truck body. Disconnect Switch Control from Wire Harness (**FIG. 2B**). Keep Switch Control and screws to reinstall. Push Wire Harness into Vertical Post.

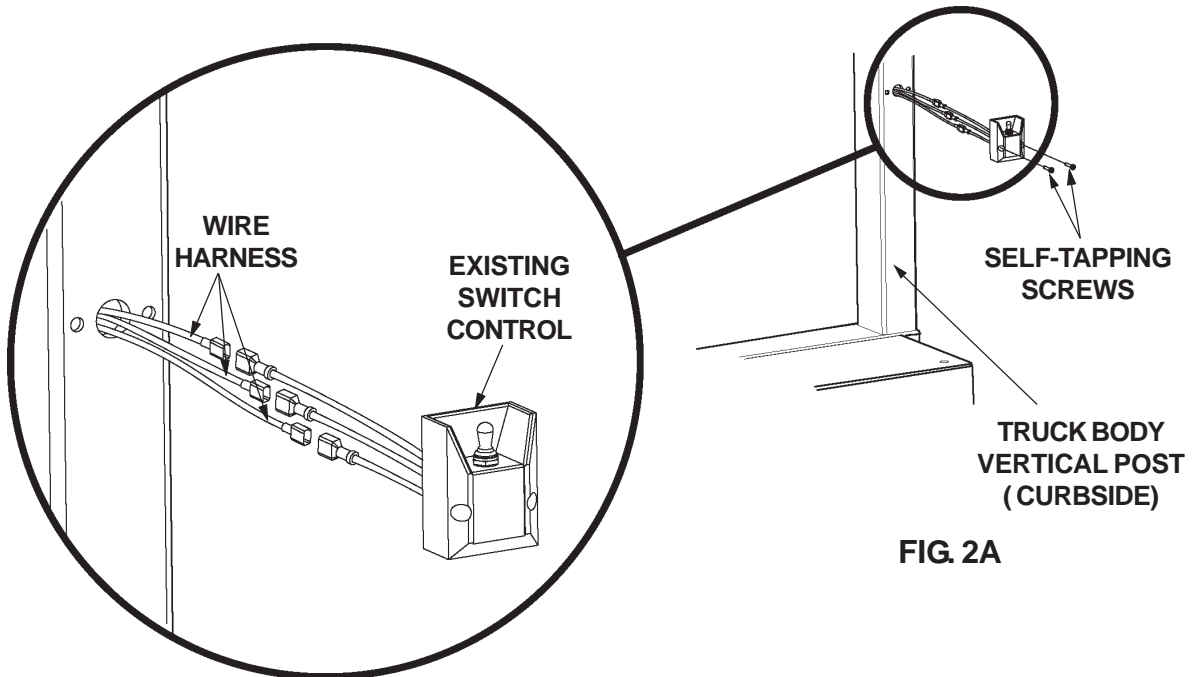
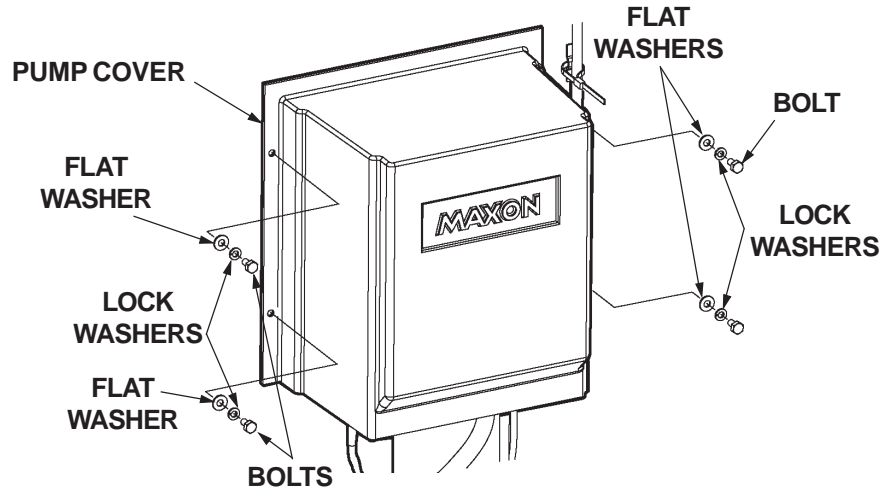


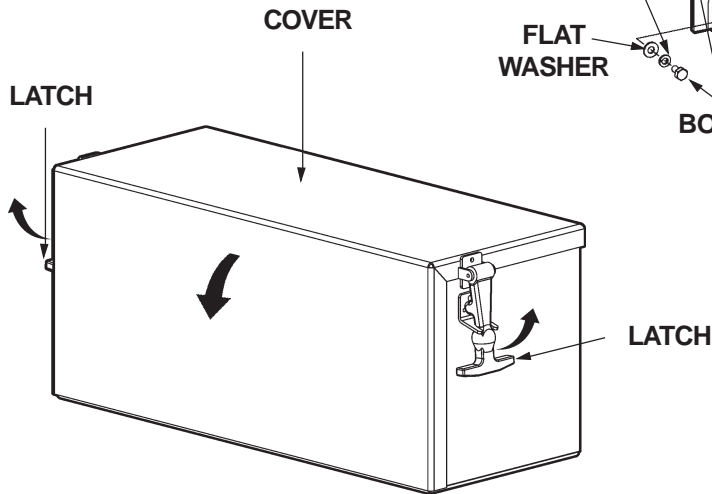
FIG. 2B

FIG. 2A

3. For an MTB Liftgate, remove 4 bolts, lock washers, flat washers, and Pump Cover to gain access to Power Unit (**FIG. 3**). If the Liftgate is a GPT or 80 Series, open Pump Box Cover (**FIG. 4**).



**MTB PUMP COVER
FIG. 3**

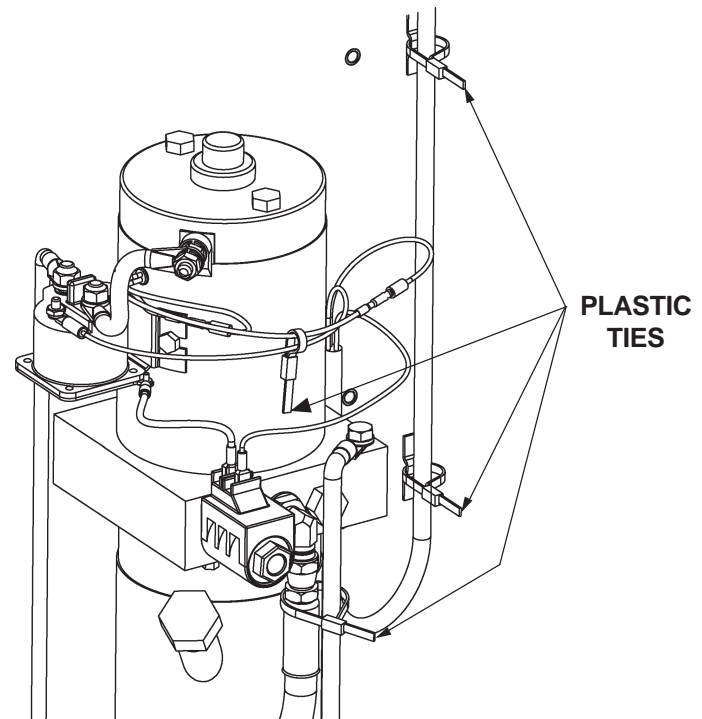


**GPT/80 SERIES PUMP BOX
FIG. 4**

CAUTION

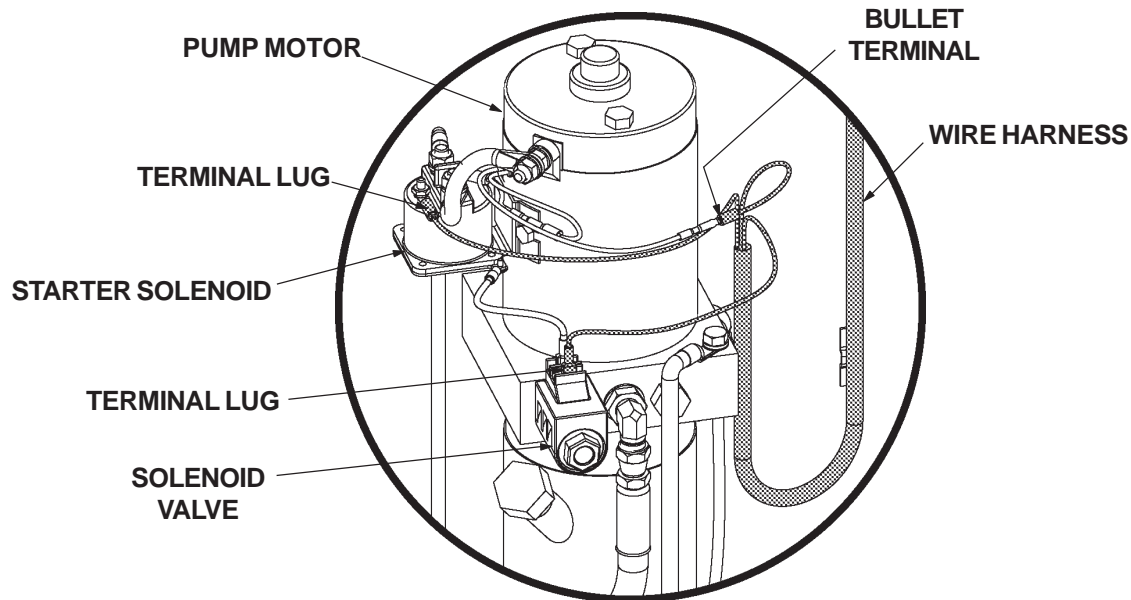
Prevent cuts on Liftgate electrical wiring and hydraulic hoses. Cut Plastic Ties carefully.

4. On MTB Liftgates, mark position of the 4 Plastic Ties holding existing Wire Harness (**FIG. 5**). Cut and discard the 4 Plastic Ties.



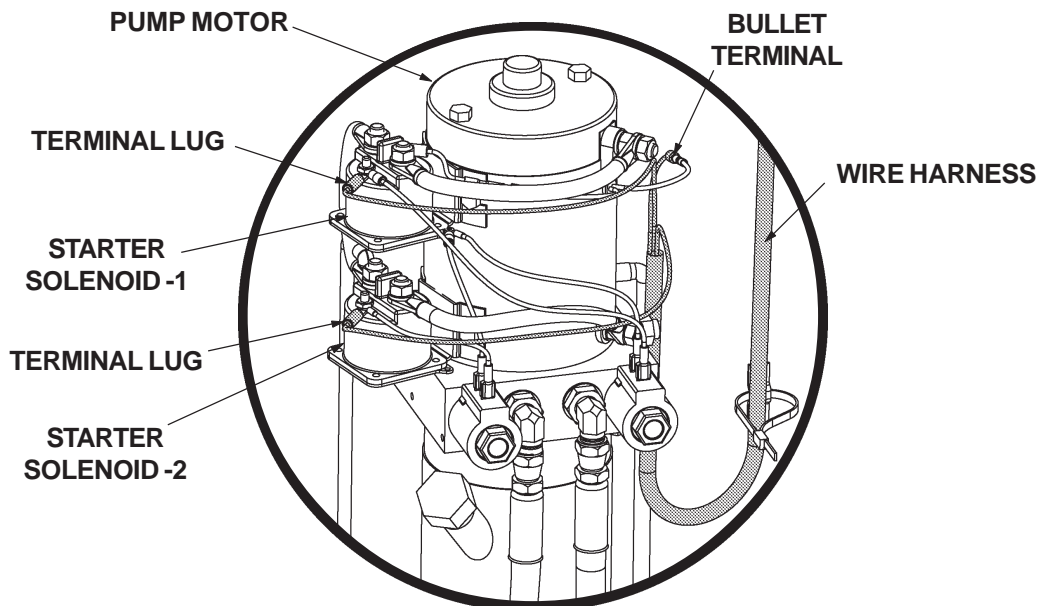
**MARKING POSITION OF WIRE HARNESS TIES
(MTB GRAVITY DOWN POWER UNIT SHOWN)
FIG. 5**

5. Disconnect existing Wire Harness terminals from Power Unit. See **FIG. 6** for Gravity Down wiring connections or **FIG. 7** for Power Down wiring connections. Pull existing Wire Harness from Liftgate and vehicle body.



**WIRE HARNESS CONNECTIONS ON GRAVITY DOWN POWER UNIT
(MTB IS SHOWN, GPT/80 SERIES IS WIRED THE SAME &
LVTS WIRING IS SHOWN SHADED)**

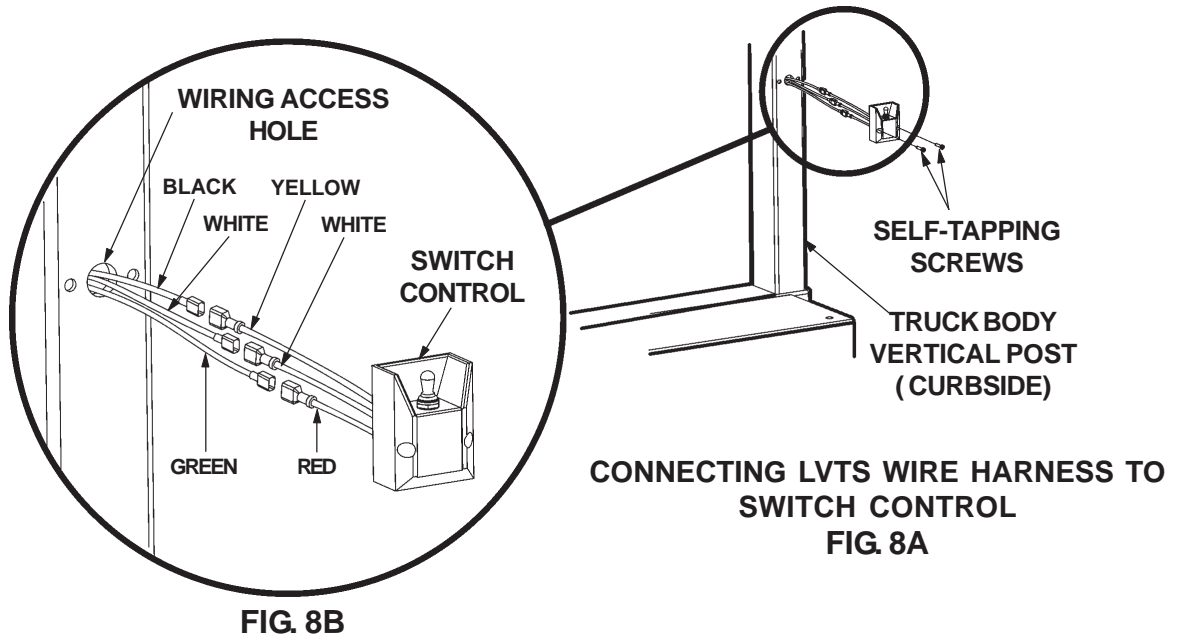
FIG. 6



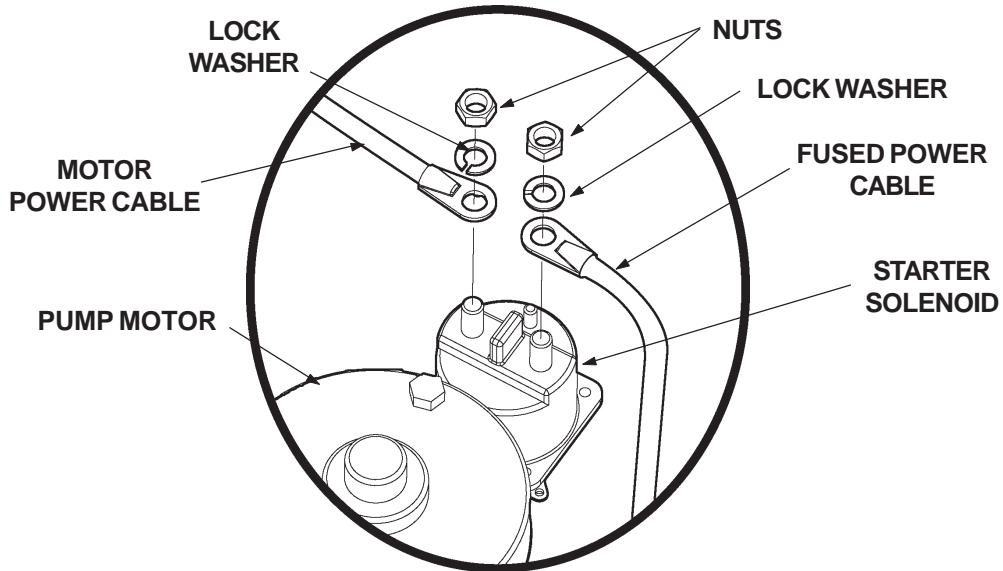
**WIRE HARNESS CONNECTIONS ON POWER DOWN POWER UNIT
(MTB IS SHOWN, GPT/80 SERIES IS WIRED THE SAME &
LVTS WIRING IS SHOWN SHADED)**

FIG. 7

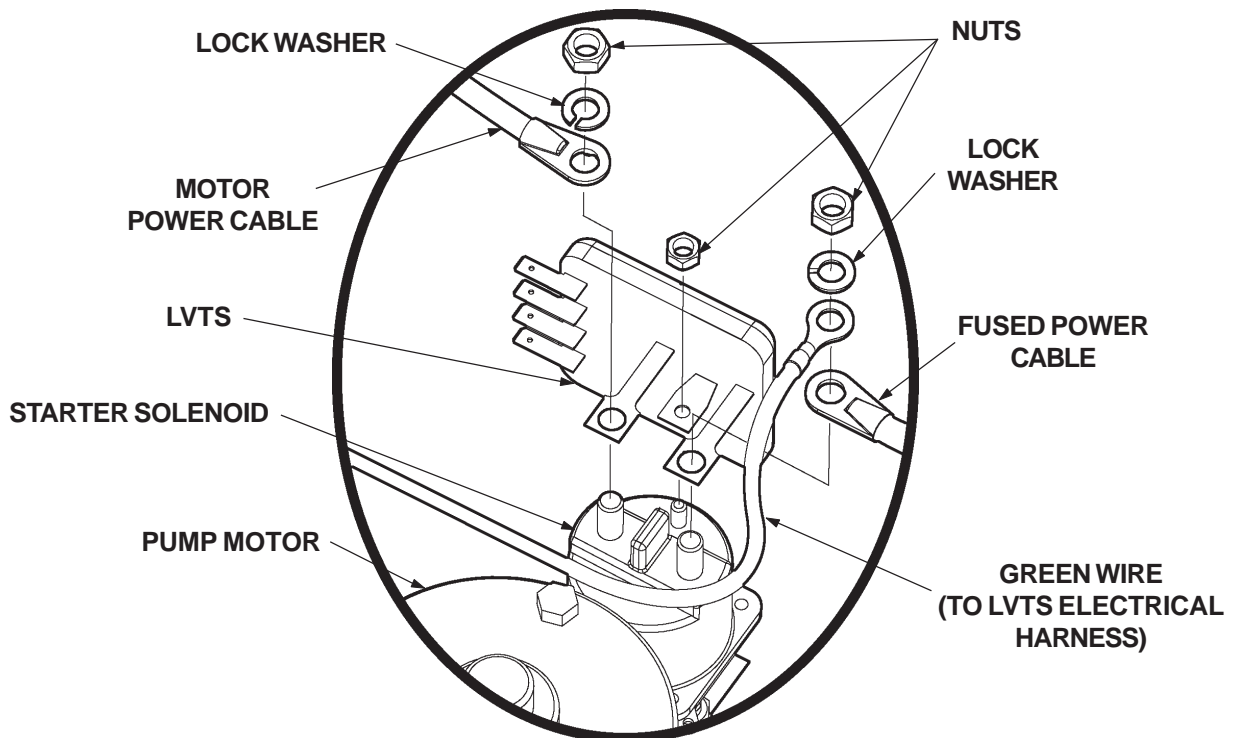
6. Run LVTS Electrical Harness from Power Unit, through truck body Vertical Post (**FIG. 8A**), and up through wiring access hole (**FIG. 8B**). Connect Electrical Harness to Switch Control as shown in **FIG. 8B**. Push wiring back into wiring access hole in Vertical Post until Switch Control meets post. Attach Switch Control to Vertical Post with 2 self-tapping screws.



7. Disconnect the Motor Power Cable and Fused Power Cable from Starter Solenoid as shown in **FIG. 9**. Connect LVTS to Starter Solenoid (**FIG. 10**). Reconnect Motor Power Cable and Fused Power Cable to Starter Solenoid as shown in **FIG. 10**. Connect the Green Wire from LVTS Wiring Harness, to Starter Solenoid (**FIG. 9**).

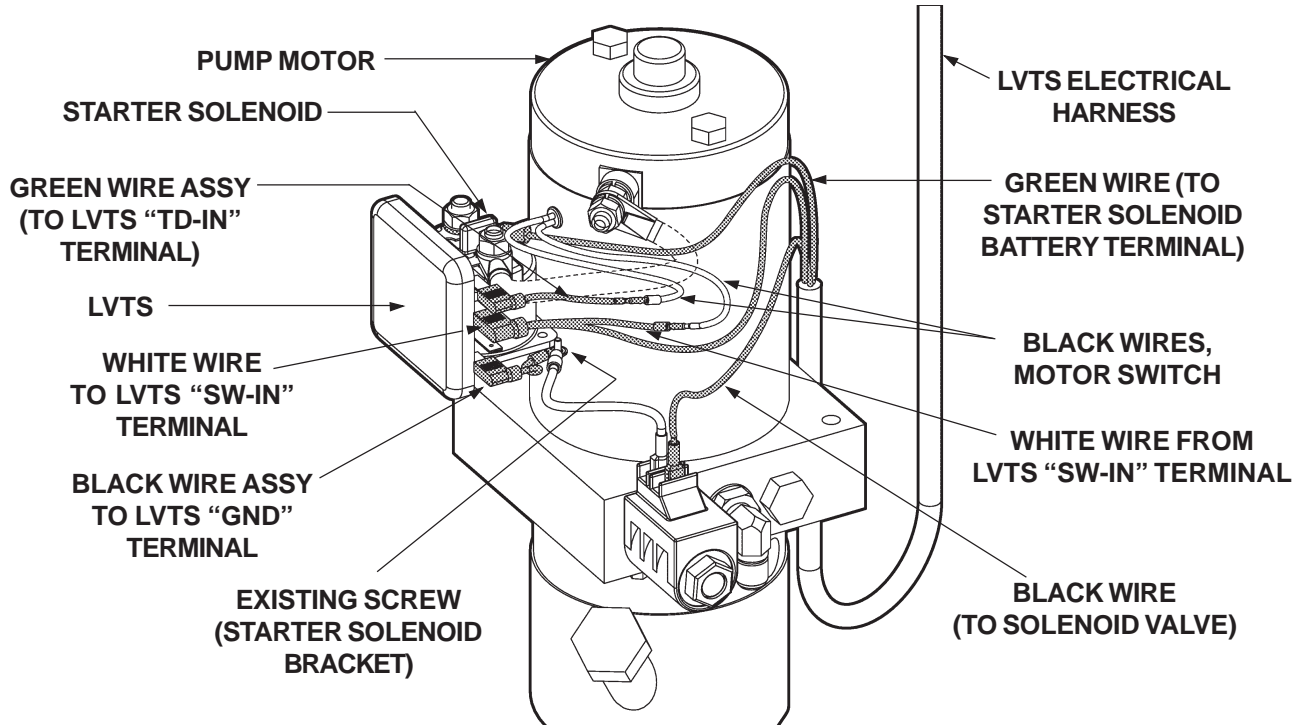


DISCONNECTING CABLES FROM STARTER SOLENOID
FIG. 9



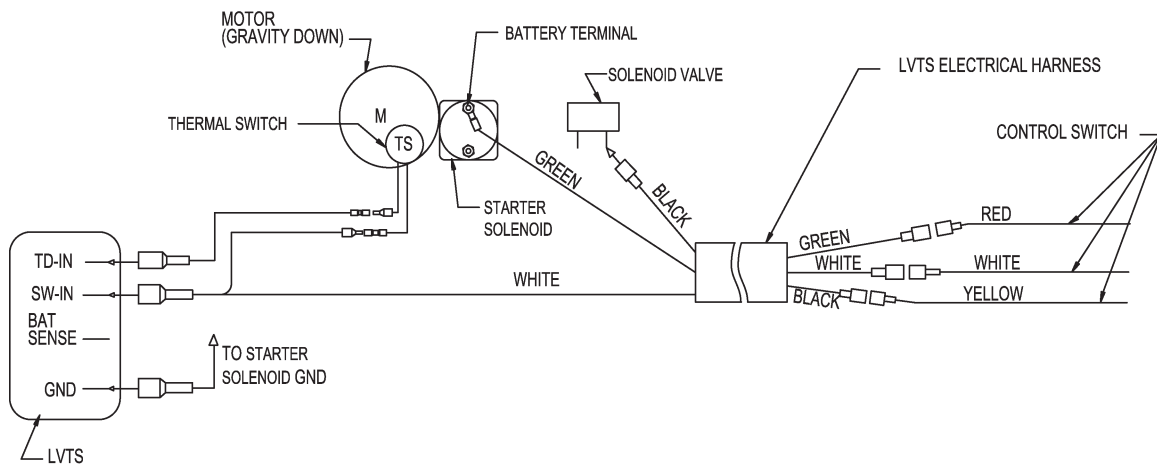
CONNECTING LVTS, CABLES & WIRE TO STARTER SOLENOID
FIG. 10

8. Connect LVTS Electrical Harness, Green Wire Assembly and Black Wire Assembly as shown in **FIGS. 11 & 12**. Connect Black Wire Assembly to Starter Solenoid Bracket with existing screw. Refer to **GRAVITY DOWN LVTS WIRING DIAGRAM (FIG. 12)** for wiring connections.



**CONNECTIONS FOR LVTS WIRE HARNESS AND WIRE ASSEMBLIES
(MTB GRAVITY DOWN POWER UNIT IS SHOWN, GPT/80 SERIES IS WIRED THE SAME &
LVTS WIRING IS SHOWN SHADED)**

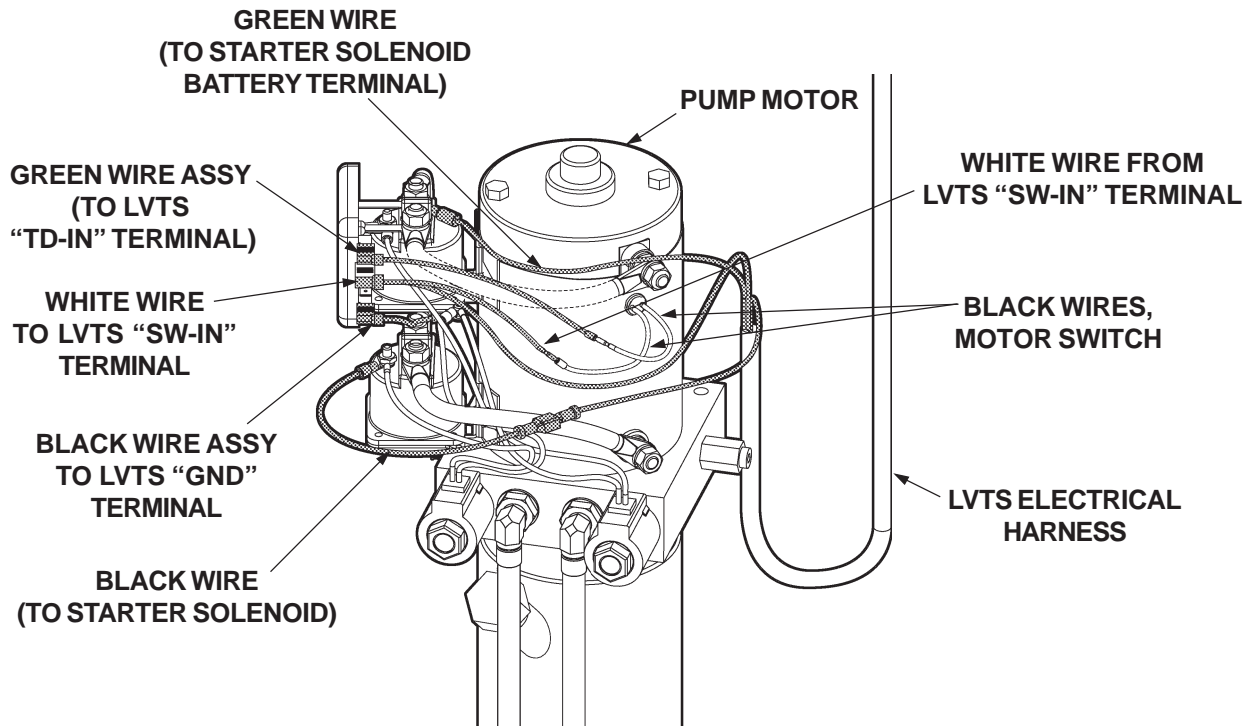
FIG. 11



GRAVITY DOWN LVTS WIRING DIAGRAM

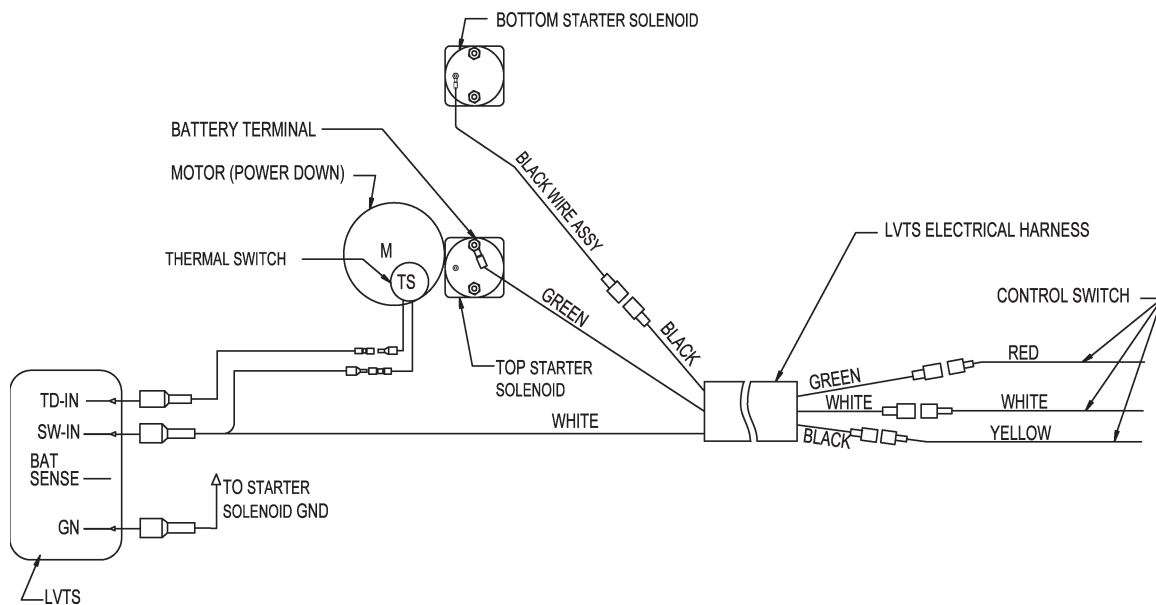
FIG. 12

9. Connect LVTS Electrical Harness, Green Wire Assembly and Black Wire Assembly as shown in **FIGS. 13&14**. Connect Black Wire Assembly to Starter Solenoid Bracket with existing screw.



**CONNECTIONS FOR LVTS WIRE HARNESS AND WIRE ASSEMBLIES KIT
(MTB POWER DOWN POWER UNIT IS SHOWN, GPT/80 SERIES IS WIRED THE SAME &
LVTS WIRING IS SHOWN SHADED)**

FIG. 13



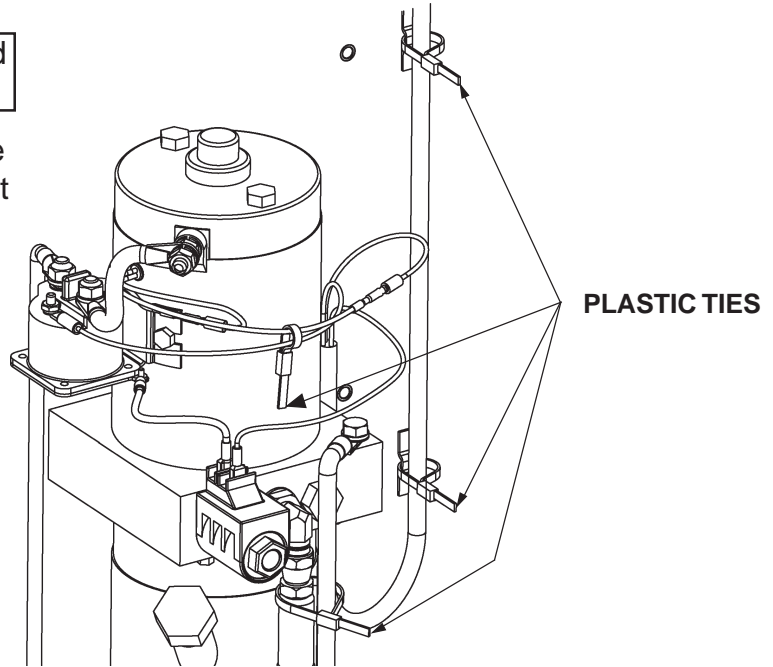
POWER DOWN LVTS WIRING DIAGRAM

FIG. 14

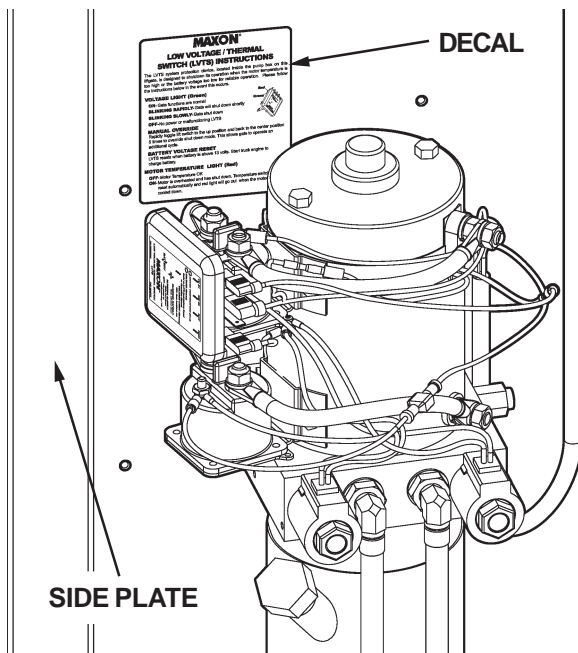
NOTE: Plastic ties are not provided with Kit.

10. For MTB Liftgates, fasten LVTS Wire Harness (**FIG. 15**) with a Plastic Tie at each of the 4 marked positions (**see Step 4**).

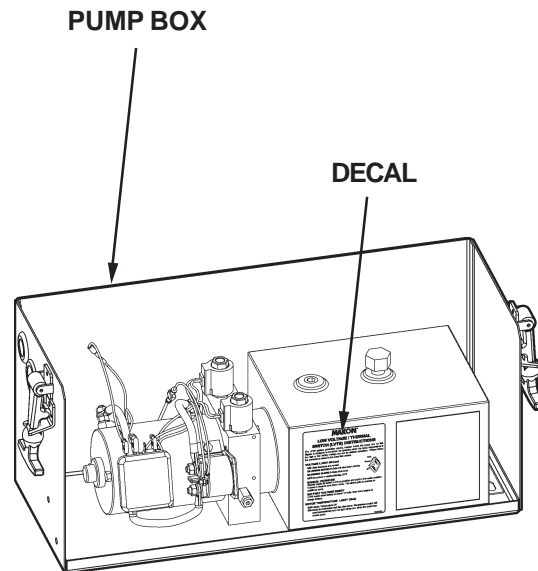
11. For MTB Liftgates, attach Decal on Side Plate (**FIG. 16**). If the Liftgate is a GPT or 80 Series, attach decal to pump reservoir (**FIG. 17**)



LVTS WIRE HARNESS FASTENED WITH PLASTIC TIES (MTB GRAVITY DOWN POWER UNIT SHOWN) FIG. 15

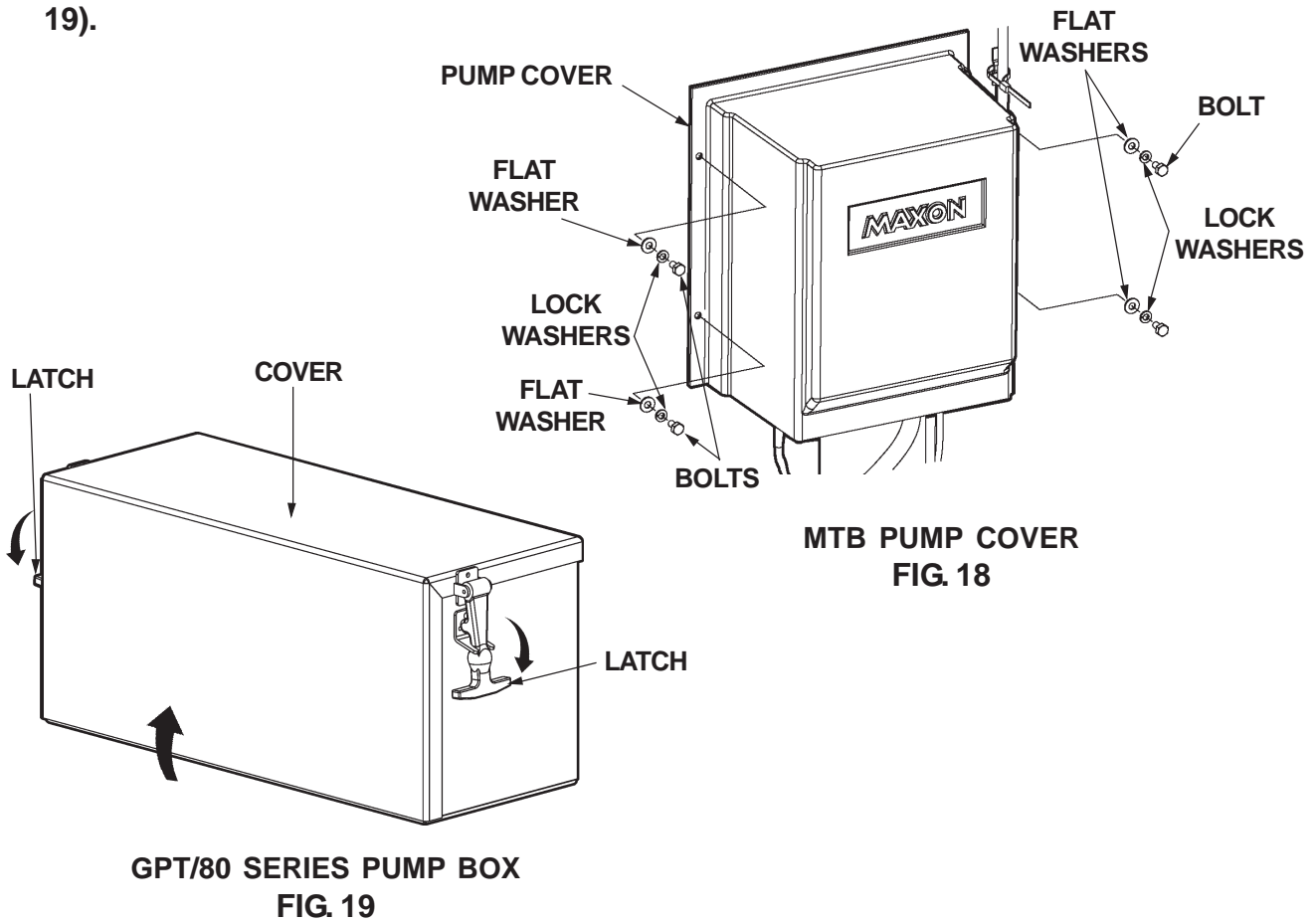


DECAL ATTACHED TO SIDE PLATE (MTB POWER DOWN POWER UNIT SHOWN) FIG. 16



DECAL ATTACHED TO RESERVOIR (GPT/80 SERIES POWER DOWN POWER UNIT SHOWN) FIG. 17

12. For MTB Liftgate, reinstall Pump Cover over Power Unit with four bolts, lock washers, and flat washers (**FIG. 18**). If the Liftgate is a GPT or 80 Series, close Pump Box Cover (**FIG. 19**).



13. Remove nut from positive (+) battery terminal connector. Reconnect the Fused Power Cable to positive (+) battery terminal connector (**FIG. 20**). Reinstall and tighten nut.

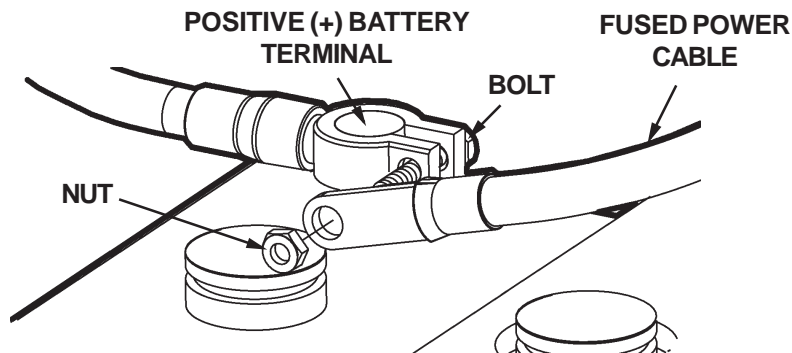


FIG. 20