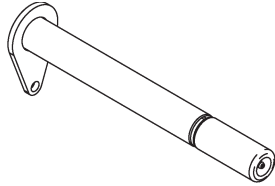
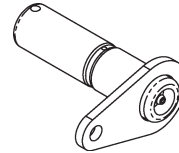


INSTRUCTION, GPT GREASE-ABLE PINS KIT

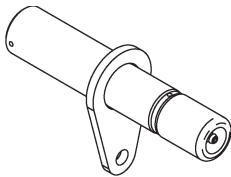
GPT-25 & GPT-3 KIT P/N 281946-01



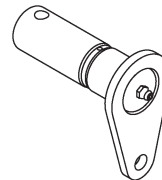
PIN ASSEMBLY, SPRING
P/N 265807-101
QTY. 2



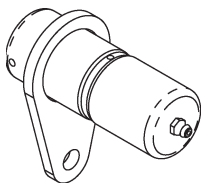
PIN ASSEMBLY, SHACKLE
P/N 262280-101
QTY. 2



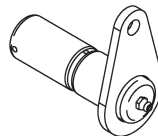
PIN ASSEMBLY, CYLINDER
P/N 262440-101
QTY. 2



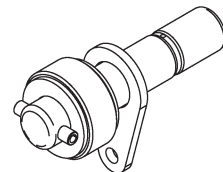
PIN ASSEMBLY, LIFT ARM
P/N 266035-101
QTY. 2



PIN ASSEMBLY
P/N 229657-101
QTY. 2



PIN ASSEMBLY, PARALLEL ARM
P/N 250310-101
QTY. 2



PIN ASSEMBLY, ROLLER
P/N 253085-101
QTY. 2

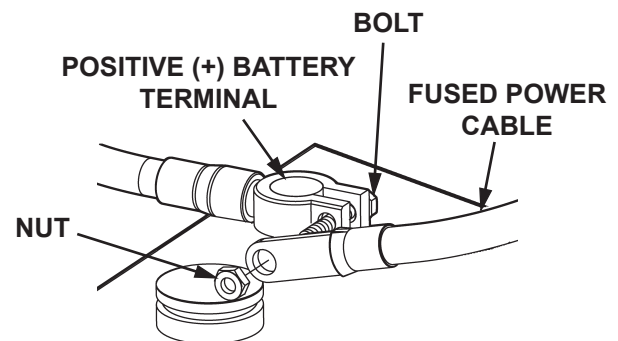
REPLACING PINS & ROLLERS

1. Lower platform to the ground.
2. Unfold platform and flipover.
3. Raise platform to comfortable work height.
and support with jack stands.

⚠ WARNING

To prevent personal injury and equipment damage, make sure power is disconnected before replacing parts on Liftgate.

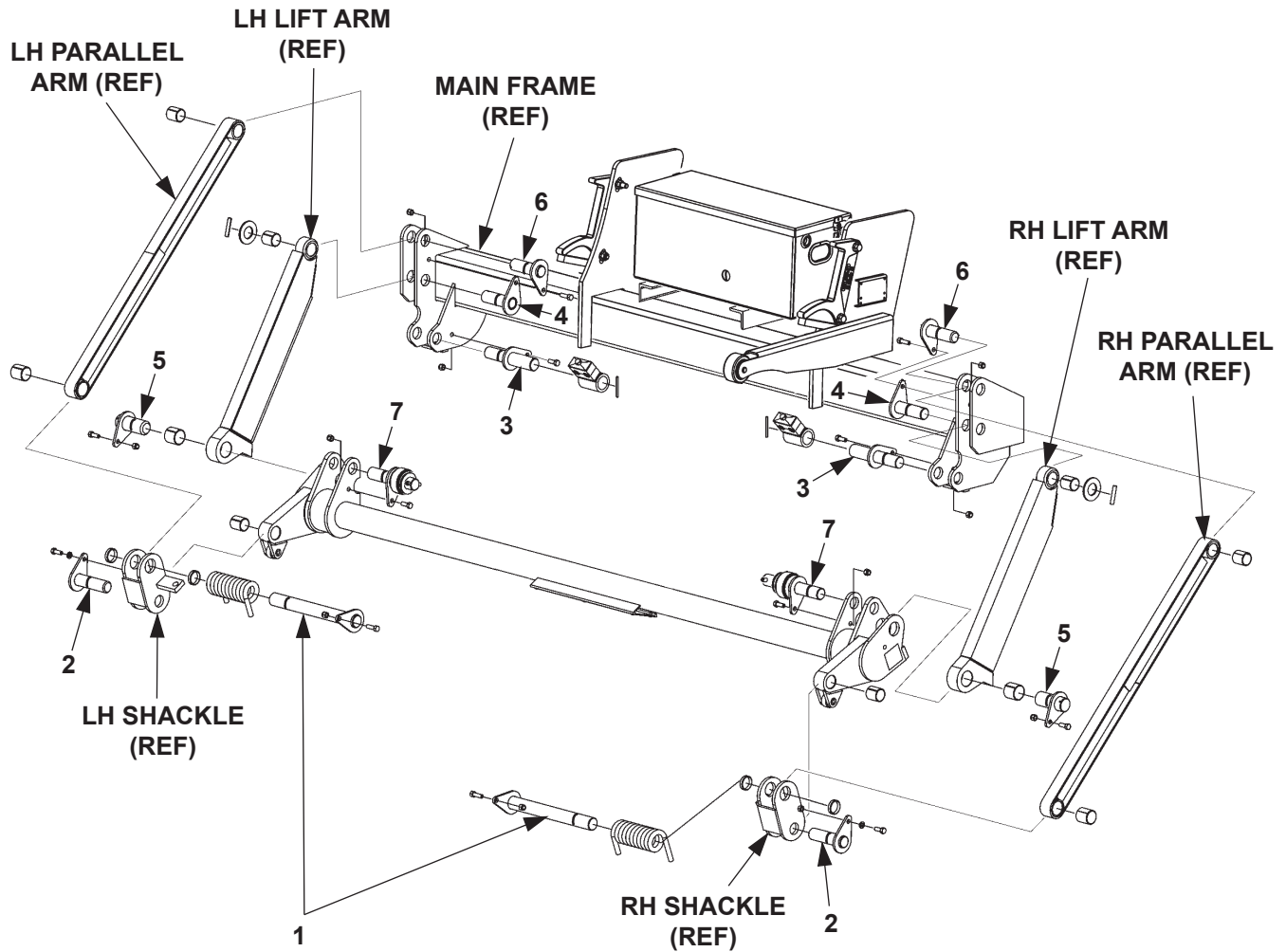
4. Disconnect power by removing nut from positive (+) battery terminal connector and disconnecting Fused Power Cable (**FIG. 2-1**). Reinstall nut.



**DISCONNECTING POWER &
RECONNECTING POWER TO LIFTGATE
FIG. 2-1**

5. Replace the pins shown on **Sheet 3** with grease-able pins from the Kit.
6. When installation is complete, grease each pin through grease fitting. Use a grease suitable for heavy machinery operating in below-freezing temperatures.
7. Reconnect power by removing nut from positive (+) battery terminal connector and reconnecting Fused Power Cable (**FIG. 2-1**). Reinstall nut.

NOTE: The illustration below is a guide for replacing the original pins, on a GPT-25 or GPT-3 Liftgate with grease-able pins from the Kit. Replace one pin at a time. Do not completely disassemble liftgate.



(SEE "REPLACING SPRING PINS" INSTRUCTIONS & CAUTION ON SHEET 4)

ITEM	QTY.	PART NO.	DESCRIPTION
1	2	265807-101	PIN ASSEMBLY, SPRING
2	2	262280-101	PIN ASSEMBLY, SHACKLE
3	2	262440-101	PIN ASSEMBLY, CYLINDER
4	2	266035-101	PIN ASSEMBLY, LIFT ARM
5	2	229657-101	PIN ASSEMBLY
6	2	250310-101	PIN ASSEMBLY, PARALLEL ARM
7	2	253085-101	PIN ASSEMBLY, ROLLER

REPLACING SPRING PINS

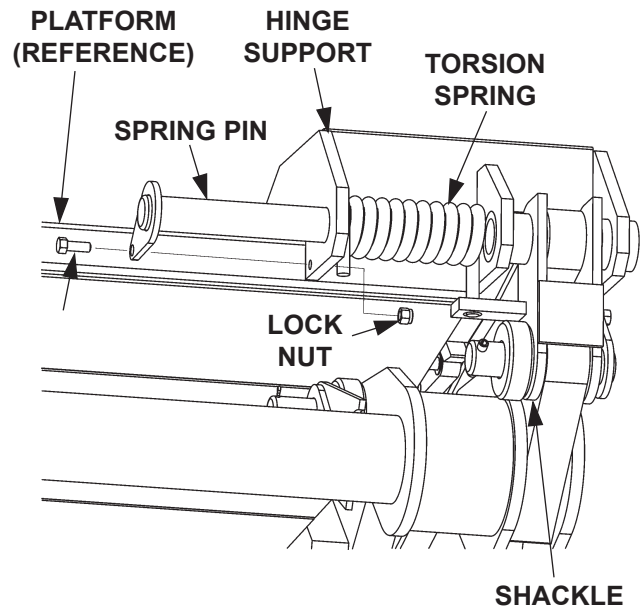
NOTE: The following procedure shows how to replace spring pin on RH side of platform with a grease-able spring pin from Kit. Also use this procedure for replacing spring pin on the LH side.

1. Fold platform and flipover to gain access and release tension on the torsion spring.

CAUTION

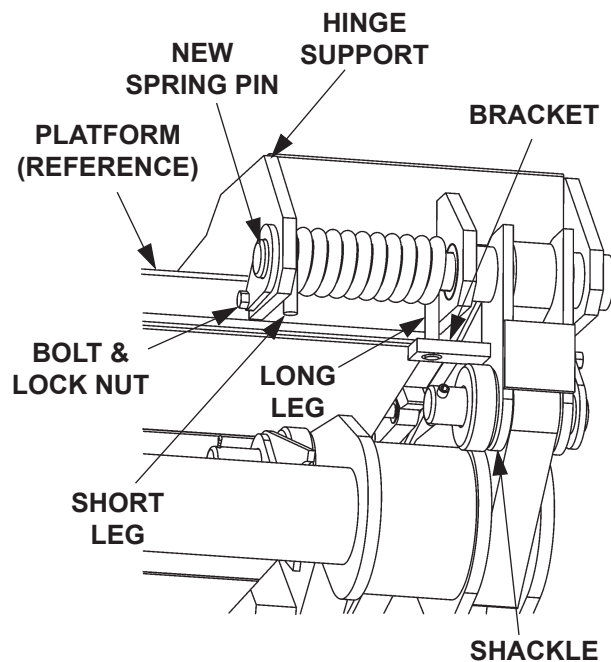
To prevent injury and equipment damage, make sure there is no tension on torsion spring before removing spring pin.

2. Unbolt spring pin from hinge support (FIG. 4-1). Remove bolt and lock nut. Drive the spring pin inboard toward shackle with a hammer and pin punch, just enough to free the torsion spring (FIG. 4-1). Remove spring from shackle. Then remove the spring pin.



REMOVING SPRING & SPRING PIN
FIG. 4-1

3. Install the torsion spring as shown in FIG. 4-2. Make sure the long leg of the spring is inserted in the bracket located on shackle (FIG. 4-2). Make sure the short end of the spring is visible and resting against the edge of the hinge support (FIG. 4-2).



INSTALLING SPRING & SPRING PIN
FIG. 4-2

4. Drive the new spring pin (Kit item) into correct position (FIG. 4-2) through the hinge support with a hammer and pin punch. Line up the bolt hole in the spring pin with the hole in the hinge support. Bolt spring pin to hinge support with bolt and lock nut (FIG. 4-2).