

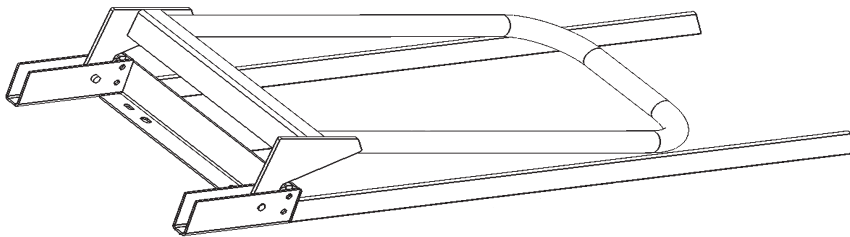
INSTRUCTIONS, TIRE RACK KIT (C1 & C2 LIFTGATES)

TIRE RACK ASSEMBLY, PICKUP KIT P/N 296665-01

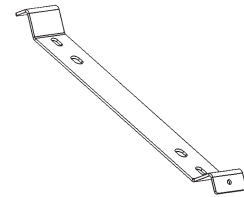
TIRE RACK ASSEMBLY, STAKEBED KIT P/N 296665-02

TIRE RACK ASSEMBLY, PICKUP GRATING PLATFORM KIT P/N 296665-03

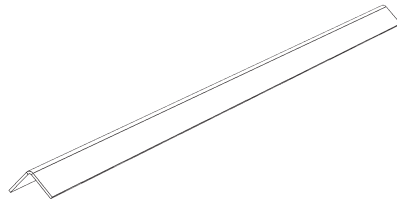
TIRE RACK ASSEMBLY, STAKEBED GRATING PLATFORM KIT P/N 296665-04



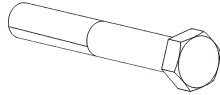
TIRE RACK, PICKUP
P/N 296666-01
QTY. 1



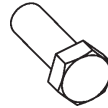
MOVABLE CROSS MEMBER
P/N 296667-01
QTY. 1



EXTENSION ANGLE, 40" LG.
(STAKEBED TIRE RACK ONLY)
P/N 296669-02
QTY. 2

PICKUP TIRE RACK BOLT KIT P/N 296663-01
STAKEBED TIRE RACK BOLT KIT P/N 296663-02

HEX CAP SCREW, 3/8"-16 X 2-3/4" LG.
P/N 900794-06
QTY. 4



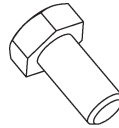
HEX CAP SCREW, 1/2"-13 X 1- 1/2" LG.
P/N 900781-03
QTY. 4



LOCK NUT, 1/2"-13
P/N 040066
QTY. 4



WASHER, 9/16"
P/N 902014
QTY. 4



HEX CAP SCREW, 3/8"-16 X 1" LG.
P/N 900778-02
QTY. 4



LOCK NUT, 3/8"-16
P/N 030955
QTY. 4



FLAT WASHER, 3/8"
P/N 902001-2
QTY. 8



HEX HEAD SELF-TAPPING SCREW
#12 X 3/4" LG.
(PICKUP BOLT KIT)
P/N 900045-1
QTY. 2



HEX HEAD SELF-TAPPING SCREW
#12 X 3/4" LG.
(STAKEBED BOLT KIT)
P/N 900045-1
QTY. 6

GRATING PLATFORM TIRE RACK BOLT KIT P/N 296663-03

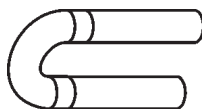
HEX HEAD SELF-TAPPING SCREW
#12 X 3/4" LG.
P/N 900045-1
QTY. 6



FLAT WASHER, 3/8"
P/N 902013-11
QTY. 8

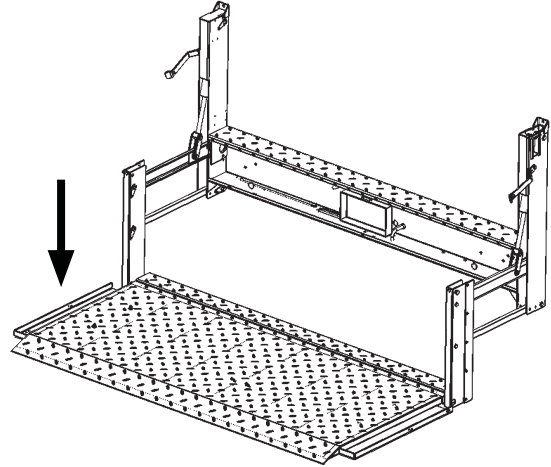


LOCK NUT, 3/8"-16
P/N 030955
QTY. 8



3/8" U-BOLT, 7/8" X 2-3/8" LG.
P/N 289444-02
QTY. 4

1. Unfold and lower platform to ground (**FIG. 3-1**).
Refer to **C2 Operation Manual** for instructions.



LOWERING PLATFORM TO GROUND
FIG. 3-1

⚠ WARNING

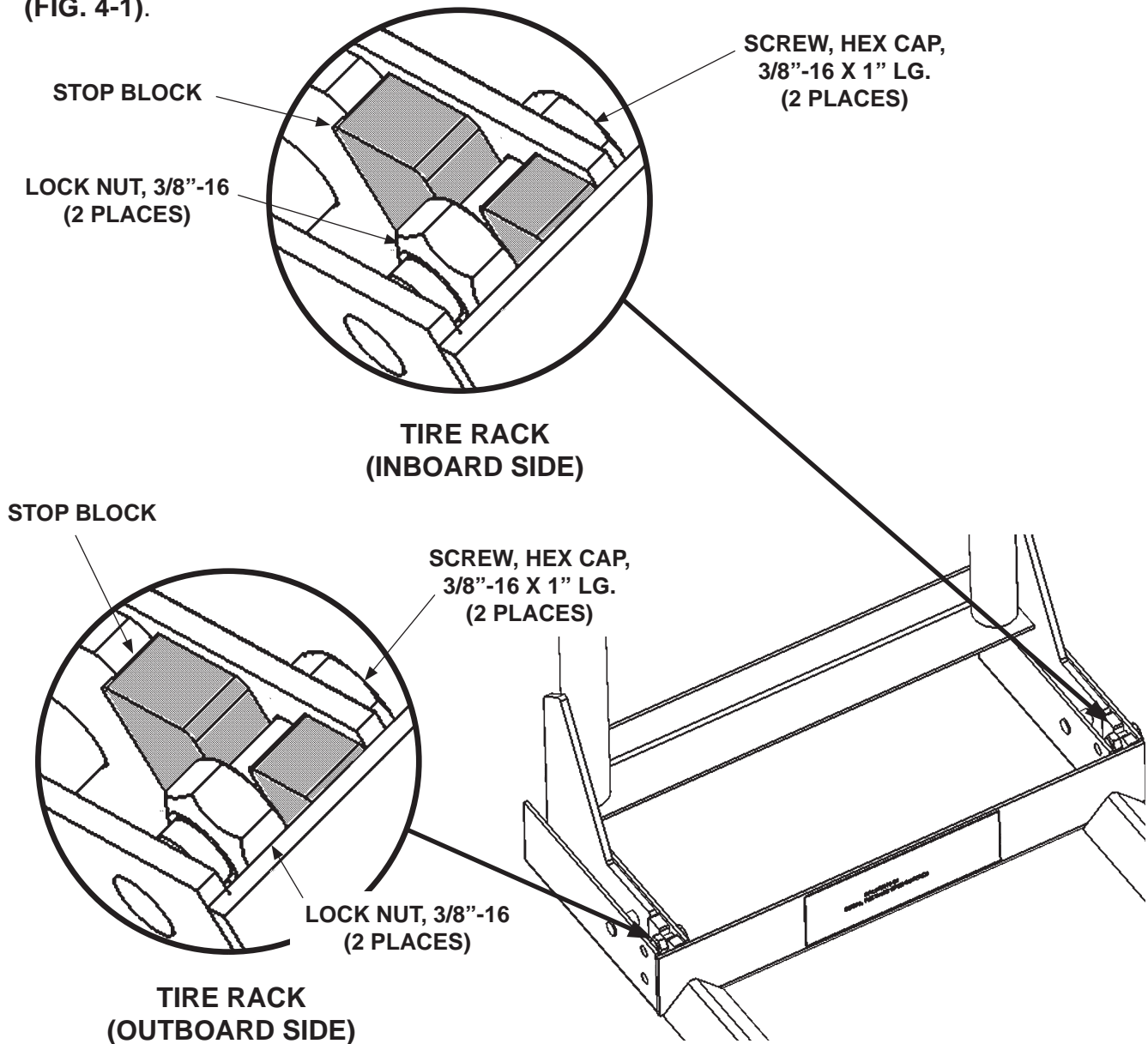
To prevent accidental personal injury and equipment damage, disconnect (-) battery cable from battery.

2. Disconnect ground (-) battery cable from vehicle battery.

REVERSING TIRE RACK OPERATION

NOTE: Tire racks are set at the factory to unfold toward the LH side of the platform and lock in the folded position when platform is stowed. If the position of the tire rack is reversed, the tire rack will not lock when the platform is stowed. Do the following steps to reposition the stop blocks. This allows tire rack to lock when reversed to RH side and platform is stowed.

1. Unbolt the stop blocks from both sides of tire rack (FIG. 4-1).



2. Bolt stop blocks on tire rack inside channel closest to the truck body. (FIG. 5-1).

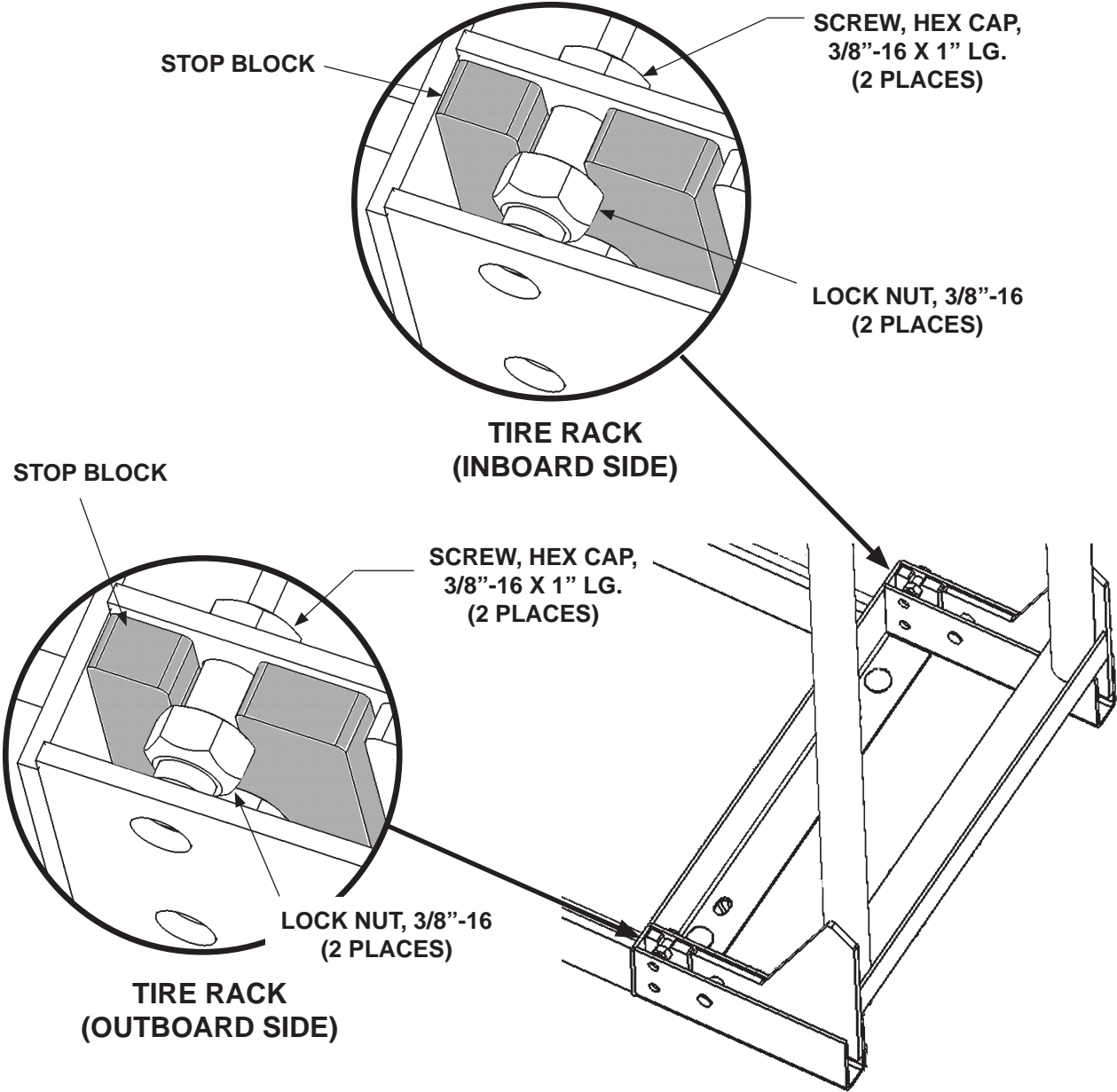
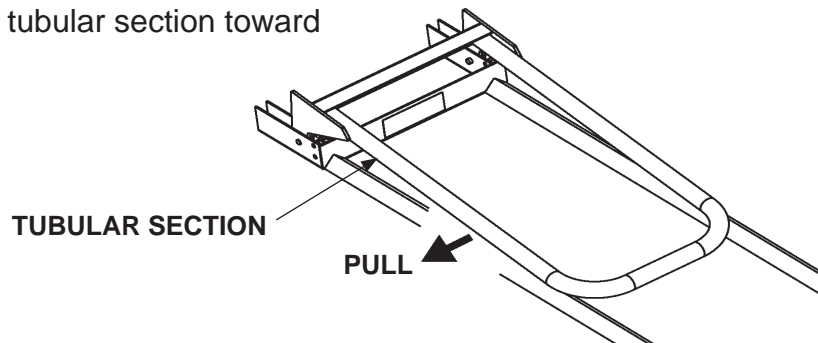


FIG. 5-1

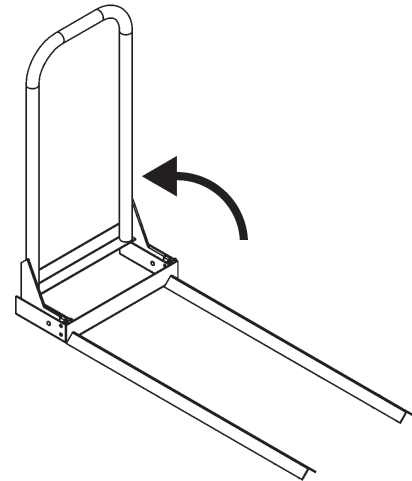
INSTALLING TIRE RACK

1. Unlock the tire rack by pulling the tubular section toward you (**FIG. 6-1**).



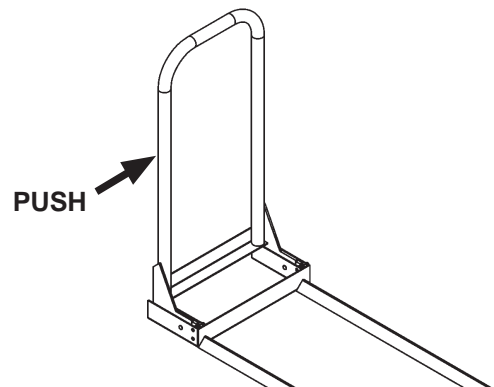
**UNLOCKING TIRE RACK
FIG. 6-1**

2. Unfold tire rack to vertical position (**FIG. 6-2**).



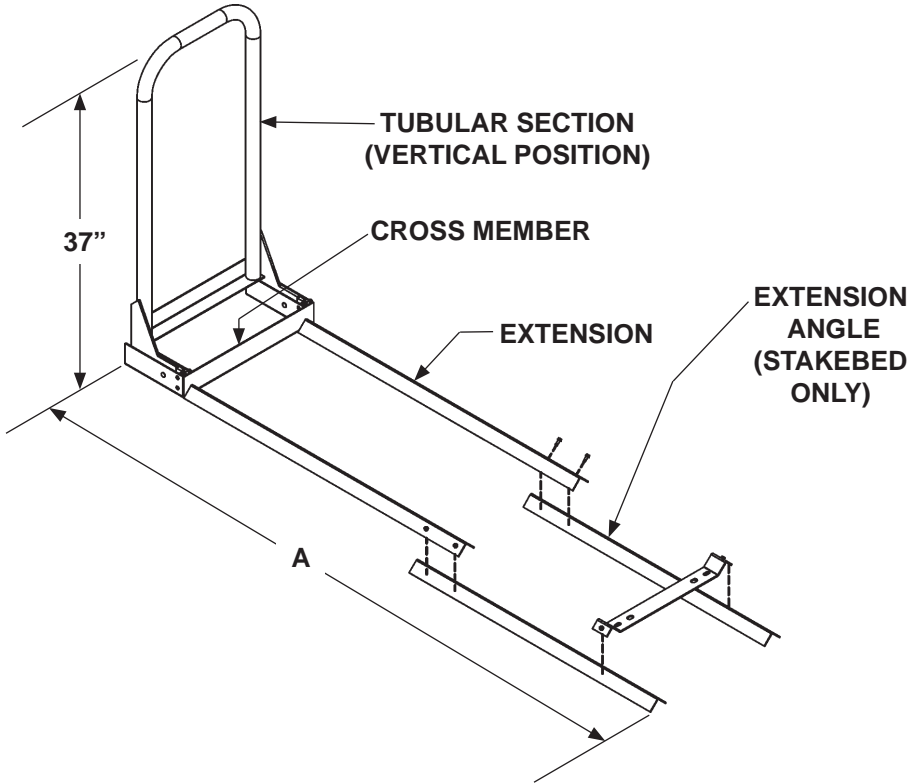
**UNFOLDING TIRE RACK
FIG. 6-2**

3. Push tubular section toward the truck bed until it locks in position (**FIG. 6-3**).



**LOCKING TIRE RACK IN
VERTICAL POSITION
FIG. 6-3**

4. Position tire rack and extensions on platform so that length "A" is 1" narrower than the platform load carrying surface (FIG. 7-1). See TABLE 7-1 for length "A" dimension.



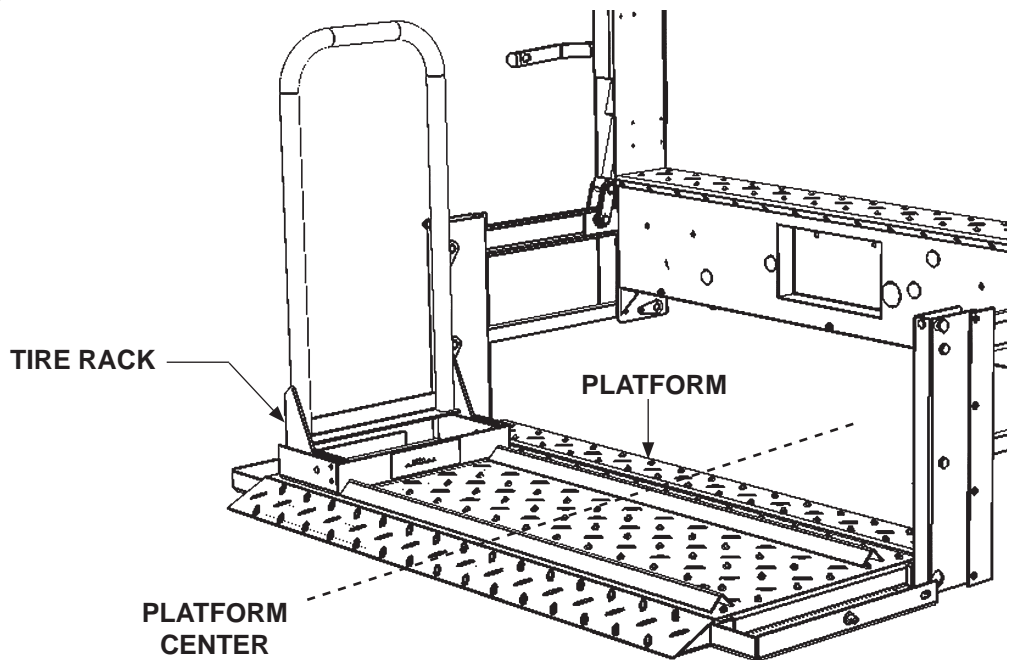
TIRE RACK UNFOLDED
FIG. 7-1

LIFTGATE MODEL	APPROXIMATE LENGTH (A)
54"	46"-50"
60"	53"
81"	73"-75"

TABLE 7-1

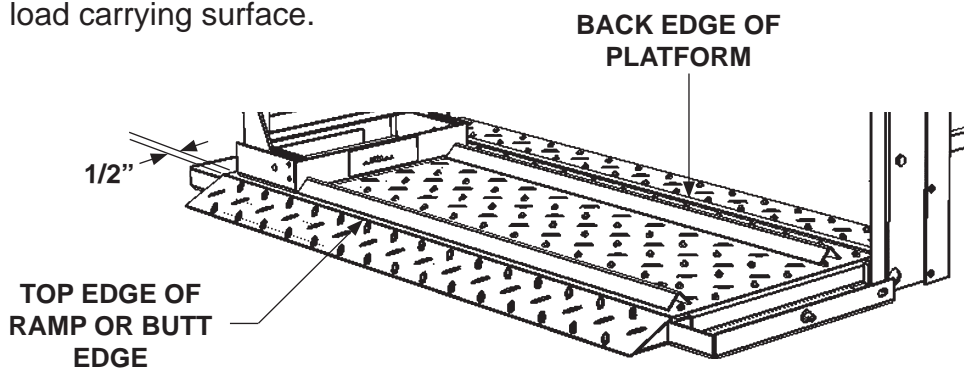
NOTE: Extension angles are not used for 60" models. Cut extensions to length for 54" models and paint exposed metal.

- 5. Center the tire rack between LH and RH sides of the platform (FIG. 8-1).



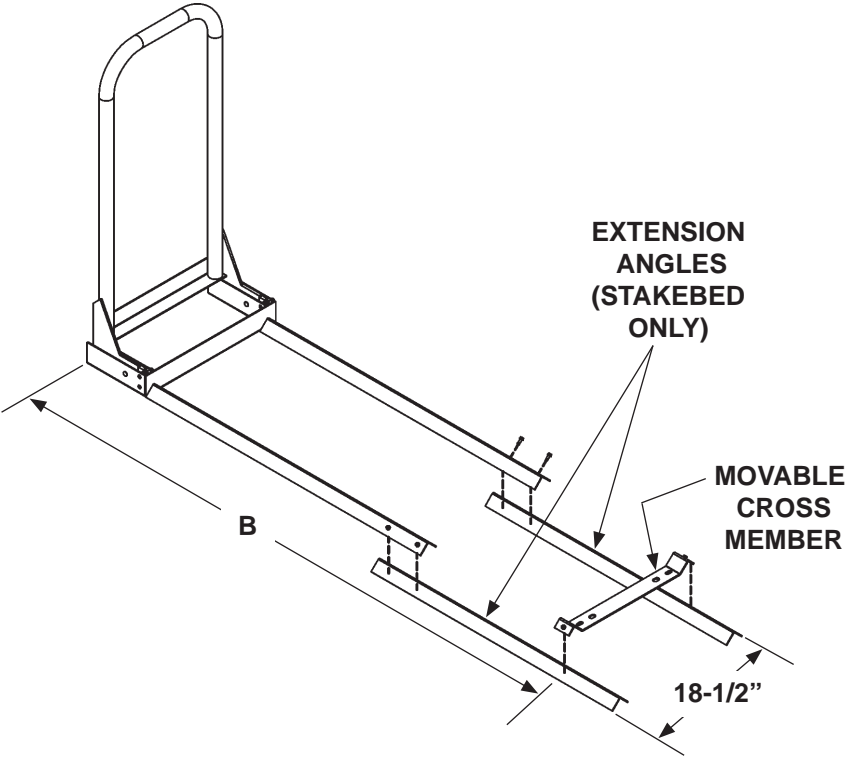
**POSITIONING TIRE RACK TO PLATFORM CENTER
(DRIVER SIDE TIRE RACK SHOWN)
FIG. 8-1**

- 6. For 27" platforms, position tire rack inward 1/2" from the butt edge or top edge of the ramp (FIG. 8-2). For all other platforms, center the tire rack between the front and back edges of the load carrying surface.



**POSITIONING TIRE RACK TO PLATFORM EDGE
(27" PLATFORM SHOWN)
FIG. 8-2**

7. Place the movable cross member on the extension angles at the length "B" dimension. Center between the ribs under the platform, if possible (**FIG. 9-1**). See **TABLE 9-1** for length "B" dimension.



**POSITIONING MOVABLE CROSS MEMBER
(EXTENSION ANGLES SHOWN)
FIG. 9-1**

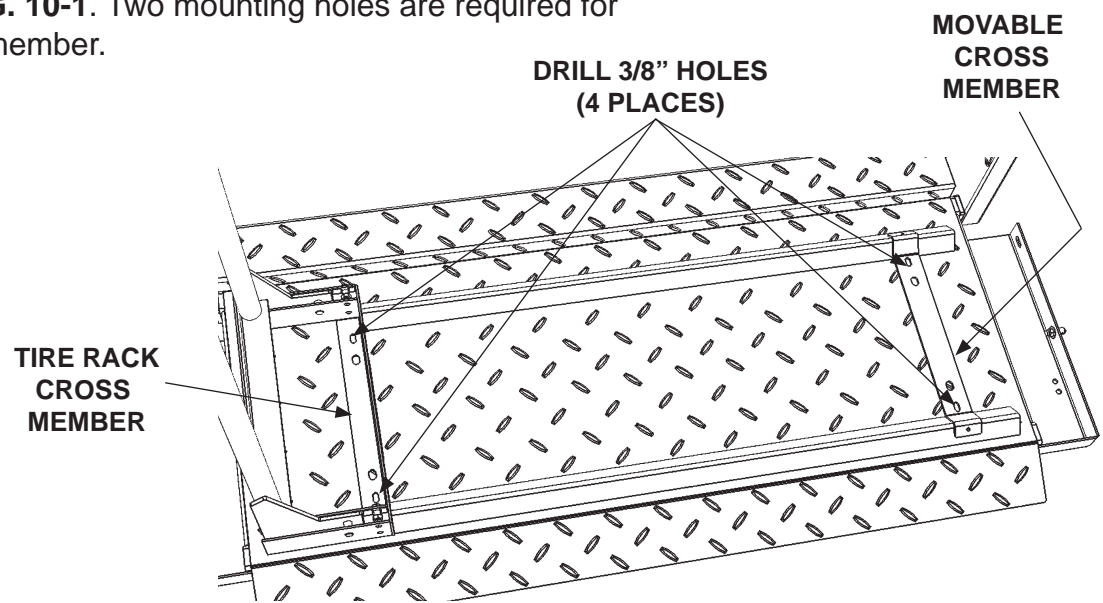
LIFTGATE MODEL	MOVABLE CROSS MEMBER (B)
54"	36"-42"
60"	48"-50"
81"	66"-70"

TABLE 9-1

- 8. Verify the platform will close with tire rack installed before continuing.
- 9. Check for obstructions before drilling tire rack mounting holes.

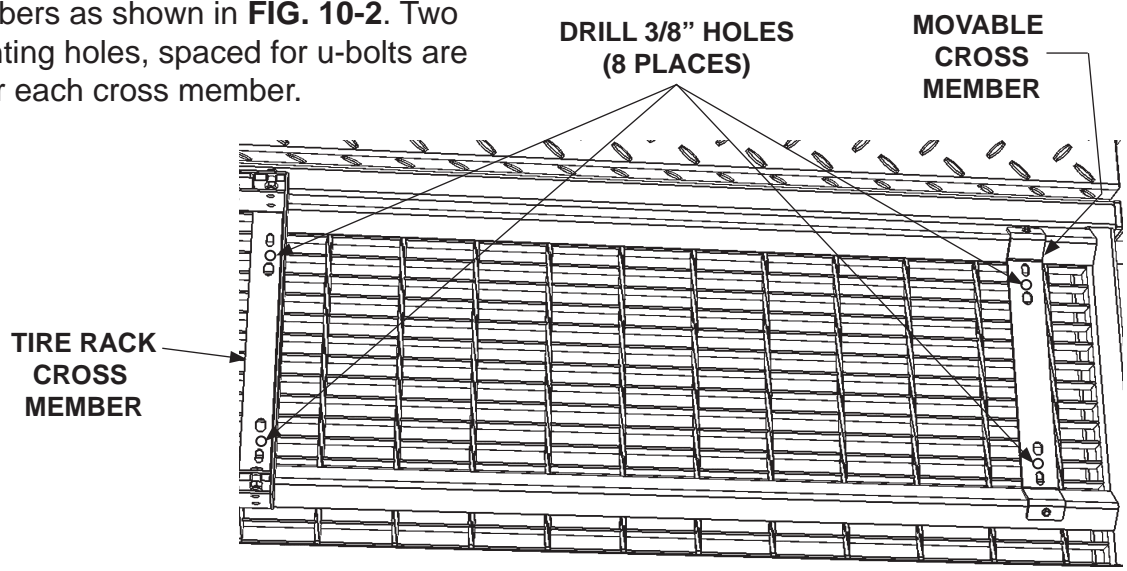
NOTE: For steel or aluminum platforms, do **step 10**. For steel grating platforms, do **step 11**.

10. For steel or aluminum platforms, use the 2 cross members as a guide to match drill four 3/8" holes in the platform as shown in **FIG. 10-1**. Two mounting holes are required for each cross member.



**DRILLING HOLES IN PLATFORM
(STEEL PLATFORM SHOWN)
FIG. 10-1**

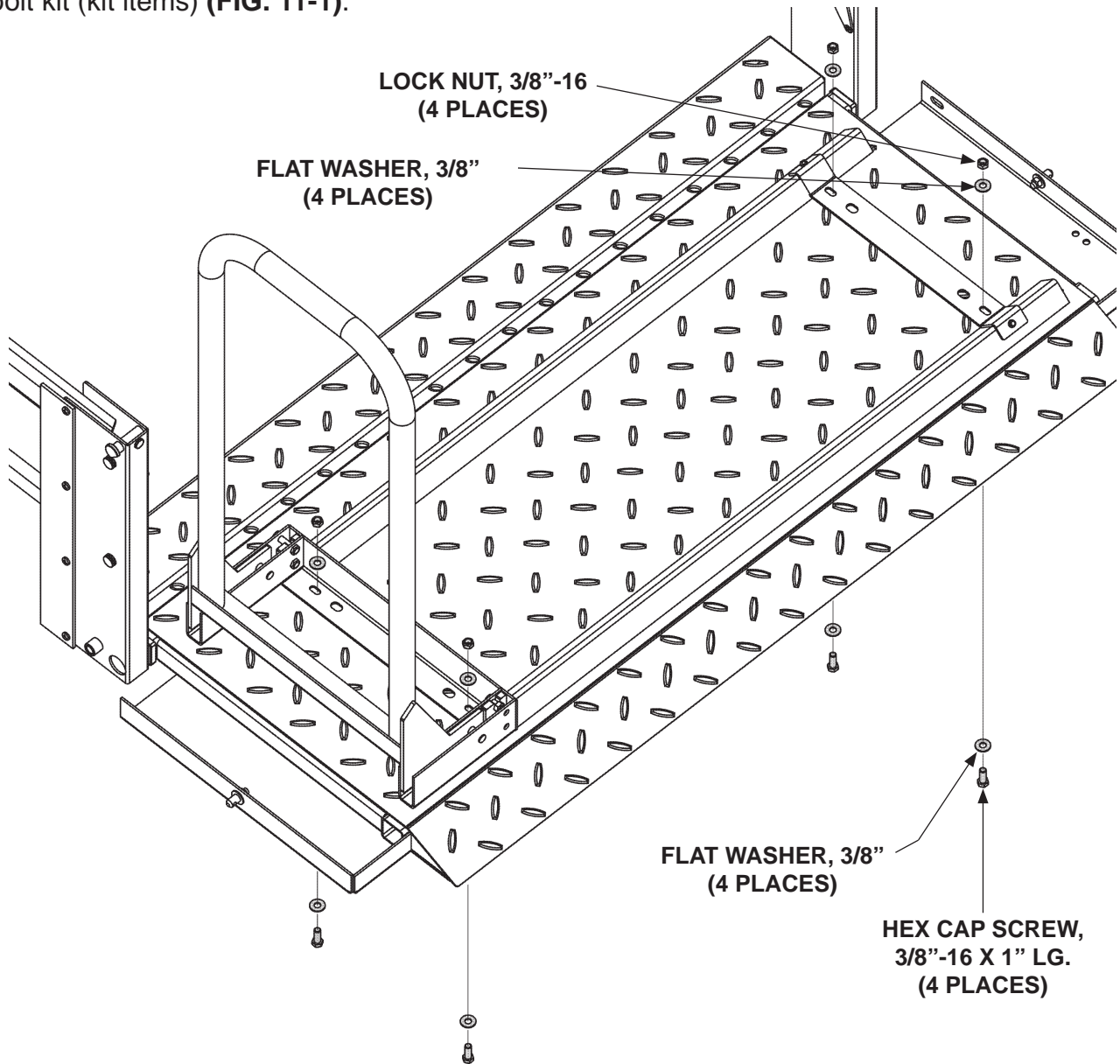
11. For steel grating platforms, use the spacing of the grating and cross member mounting holes as a guide to drill four 3/8" holes in the cross members as shown in **FIG. 10-2**. Two more mounting holes, spaced for u-bolts are required for each cross member.



**DRILLING HOLES IN CROSS MEMBERS
(STEEL GRATING PLATFORM SHOWN)
FIG. 10-2**

NOTE: For steel or aluminum platforms, do **step 12**. For steel grating platforms, do **step 13**.

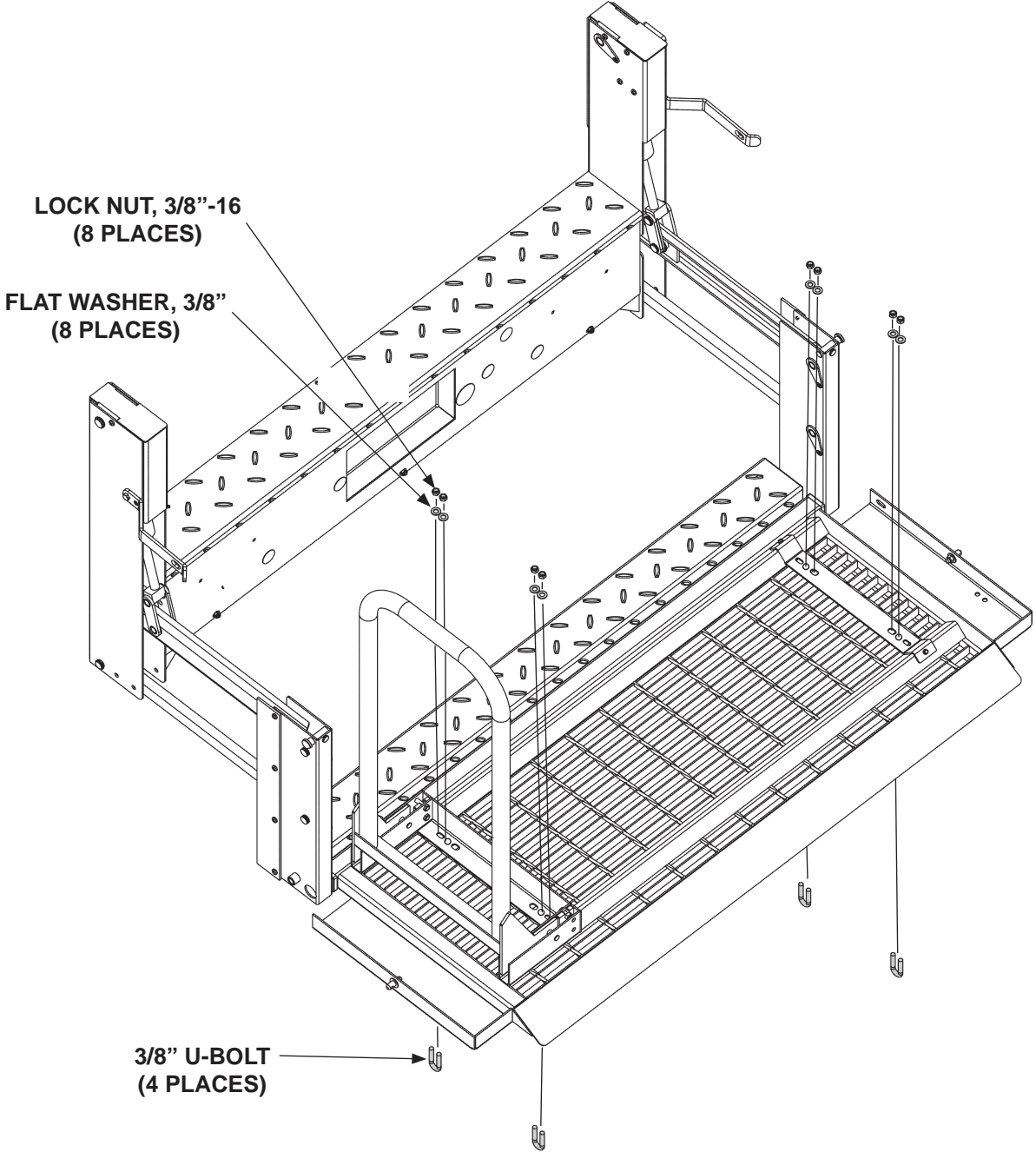
12. For steel or aluminum platforms, bolt tire rack to platform with pickup or stakebed bolt kit (kit items) (**FIG. 11-1**).



**BOLTING TIRE RACK TO PLATFORM
(STEEL PLATFORM SHOWN)**

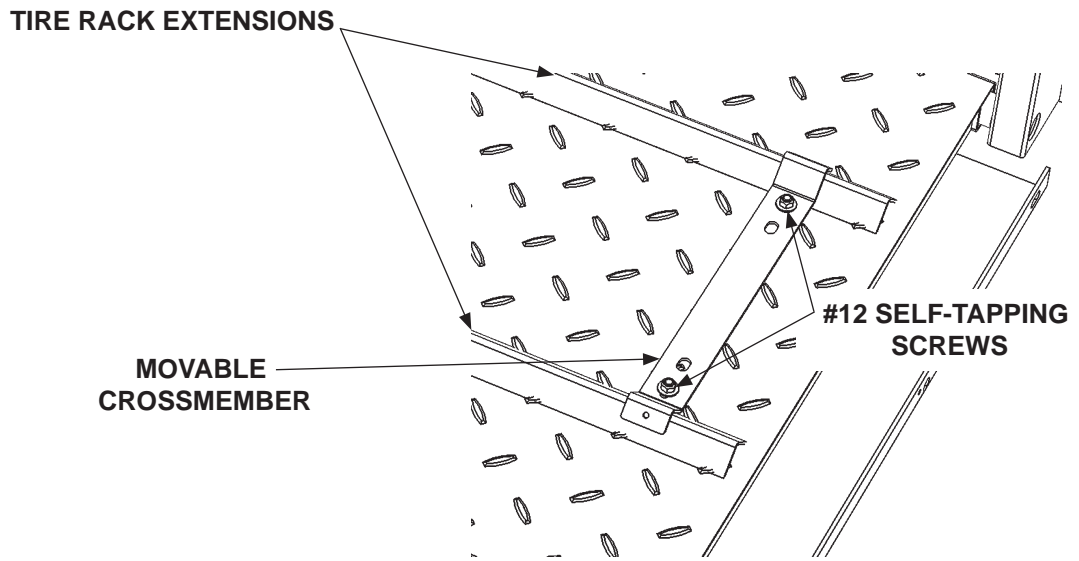
FIG. 11-1

13. For steel grating platforms, bolt tire rack to platform with grating platform bolt kit (kit items) **(FIG. 12-1)**.



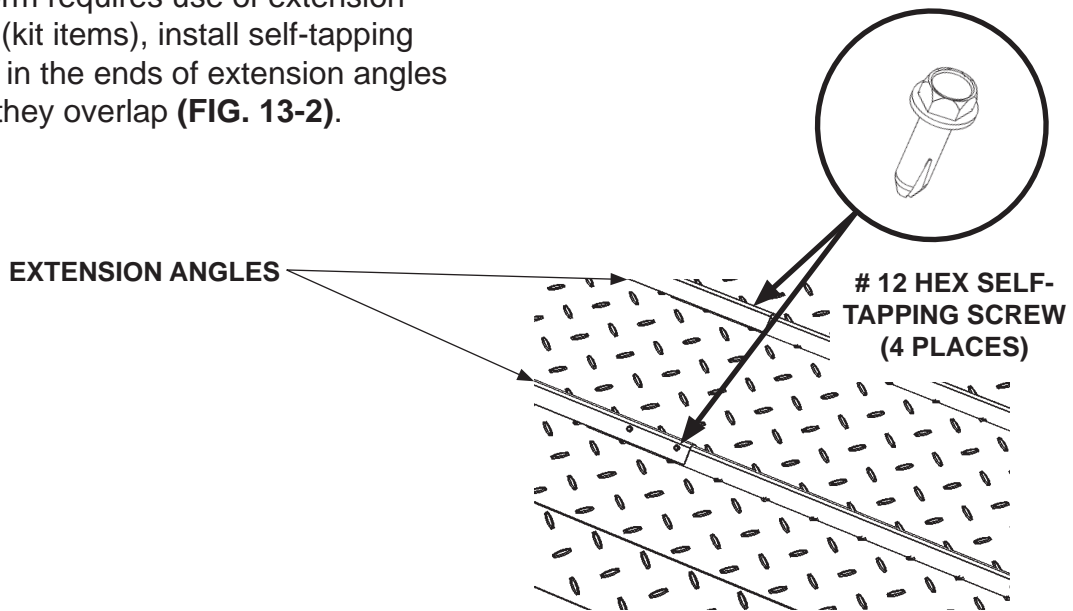
**BOLTING TIRE RACK TO PLATFORM
(STEEL GRATING PLATFORM SHOWN)
FIG. 12-1**

14. Install a self-tapping screw (kit item) in each end of the movable cross member. Tighten self-tapping screws to ensure that cross member is tight against tire rack extensions (**FIG. 13-1**).



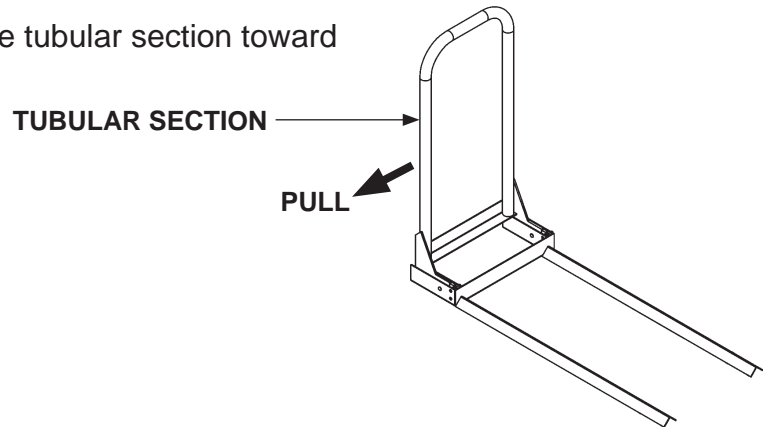
ATTACHING MOVABLE CROSS MEMBER TO EXTENSIONS
FIG. 13-1

15. If platform requires use of extension angles (kit items), install self-tapping screws in the ends of extension angles where they overlap (**FIG. 13-2**).



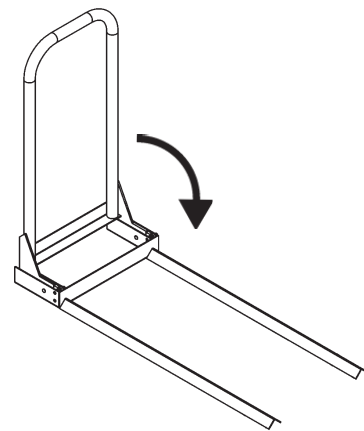
ATTACH EXTENSION ANGLES
FIG. 13-2

16. Unlock the tire rack by pulling the tubular section toward you (FIG. 14-1).



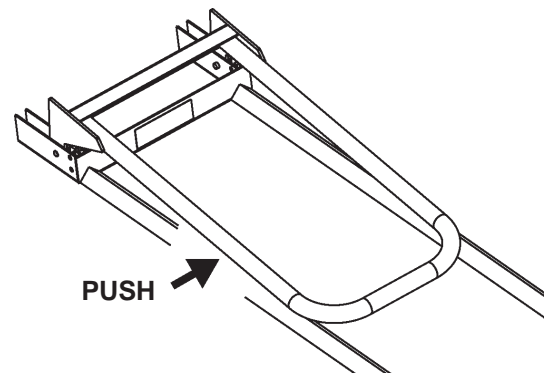
**UNLOCKING TIRE RACK
FIG. 14-1**

17. Fold tire rack to horizontal position (FIG. 14-2).



**FOLDING TIRE RACK
FIG. 14-2**

18. Push tubular section toward the truck body until it locks in position (FIG. 14-3).



**LOCKING TIRE RACK IN
FOLDED POSITION
FIG. 14-3**

19. Reconnect ground (-) battery cable to vehicle battery.
20. Verify that tire rack and platform operate properly. Refer to tire rack **OPERATING INSTRUCTIONS** decal on the tire rack (**FIG. 15-1**).

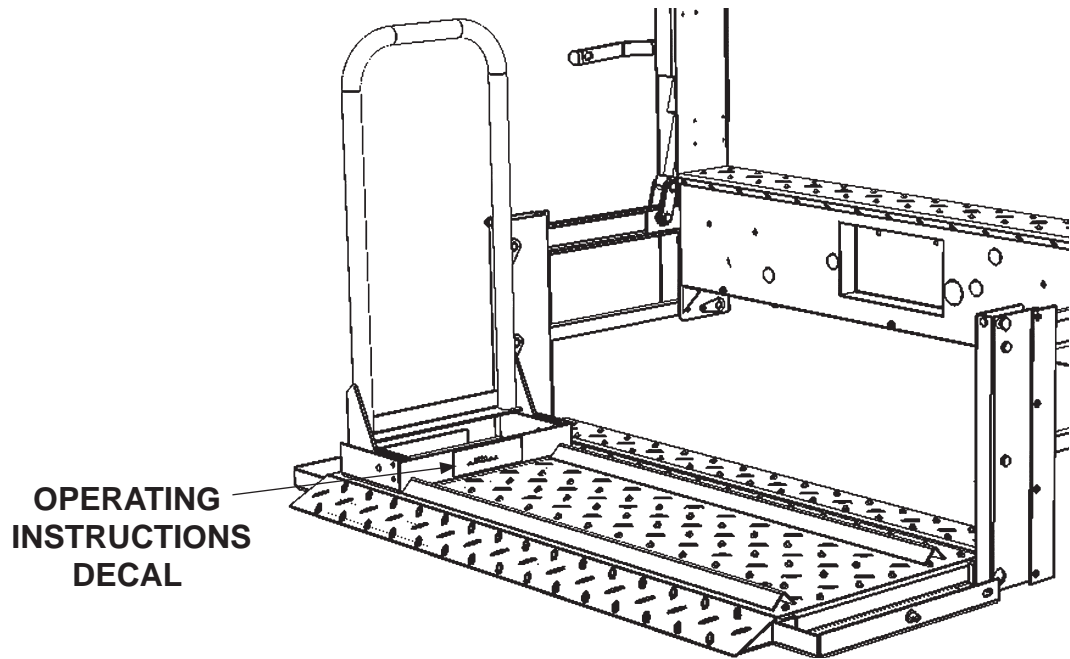


FIG. 15-1