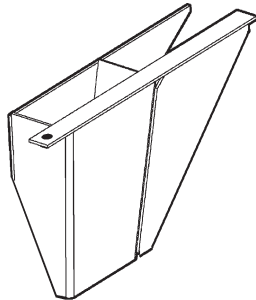


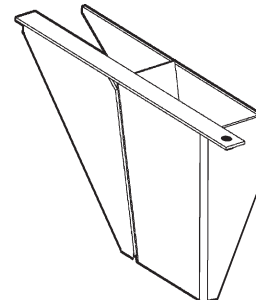
INSTRUCTION, LIFTGATE MOUNTING KIT FOR FRAMELESS TRAILERS WITH SLIDER AXLES (GPTLR)

GPTLR-25 & GPTLR-33 KITS

P/N 282561-01, P/N 282561-01-300 & P/N 282561-01G (GALVANIZED)



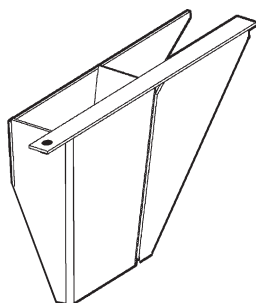
LH MOUNT BRACKET
P/N 282565-01 (PAINTED)
P/N 282565-01G (GALVANIZED)
QTY.1



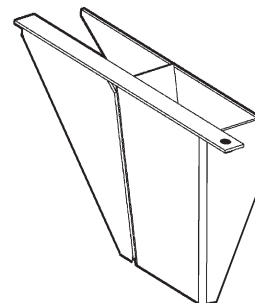
RH MOUNT BRACKET
P/N 282565-02 (PAINTED)
P/N 282565-02G (GALVANIZED)
QTY. 1

GPTLR-44 & GPTLR-55 KITS

P/N 282562-01, P/N 282562-01-300 & P/N 282562-01G (GALVANIZED)

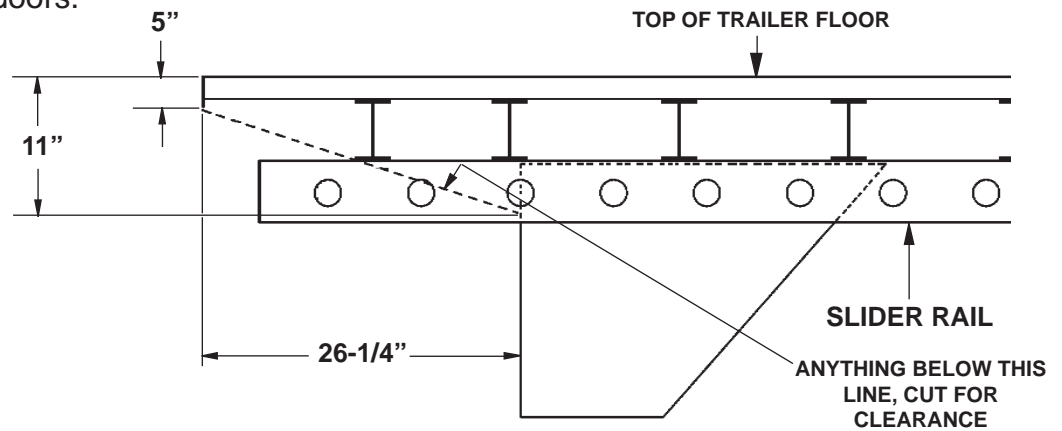


LH MOUNT BRACKET
P/N 282566-01 (PAINTED)
P/N 282566-01G (GALVANIZED)
QTY.1

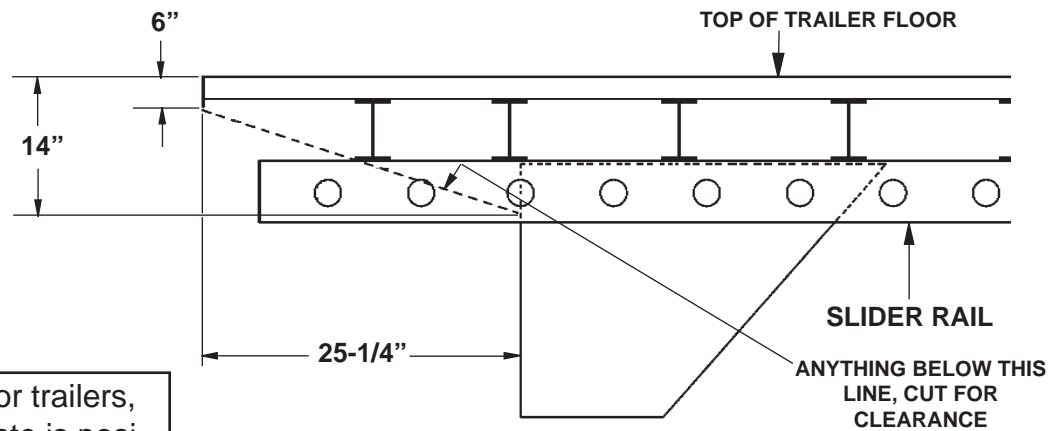


RH MOUNT BRACKET
P/N 282566-02 (PAINTED)
P/N 282566-02G (GALVANIZED)
QTY.1

1. Cut out trailer chassis to dimensions shown in **FIG. 2-1**, **FIG. 2-2** or **FIG. 2-3**. Use **FIG. 2-1** or **FIG. 2-2** for standard trailers and **FIG. 2-3** for trailers with swing doors.

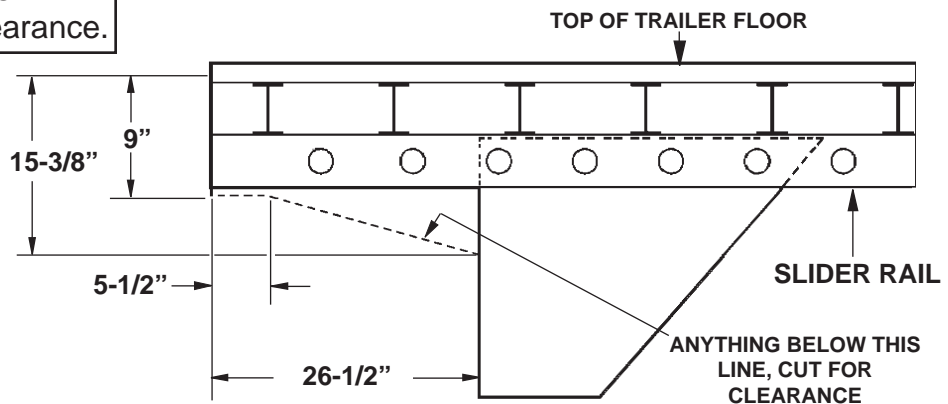


**CHASSIS CUT FOR STANDARD TRAILER
(GPTLR-25 & GPTLR-33)
FIG. 2-1**



**CHASSIS CUT FOR STANDARD TRAILER
(GPTLR-44 & GPTLR-55)
FIG. 2-2**

NOTE: On swing door trailers, extension plate is positioned 1/4" below bed height (at the rear sill) so the door seals will have enough clearance.



**CHASSIS CUT FOR SWING DOOR TRAILER
(GPTLR-25 & GPTLR-33)
FIG. 2-3**

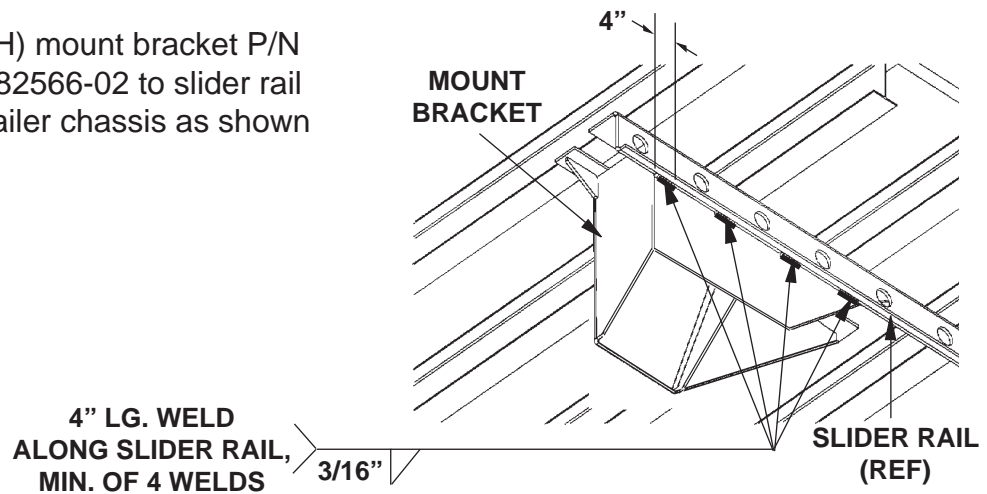
⚠ WARNING

Welding on galvanized parts gives off especially hazardous fumes. To minimize hazard remove galvanizing from weld area, provide adequate ventilation, and wear suitable respirator.

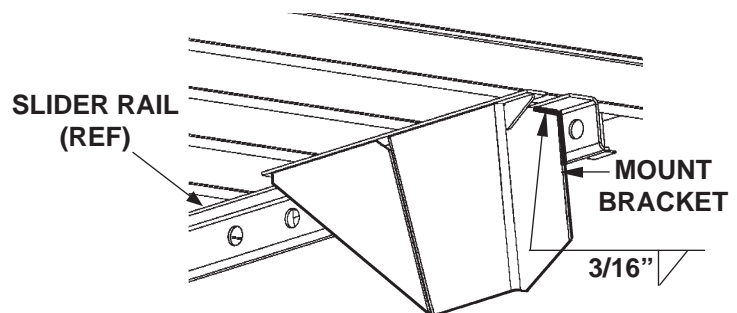
CAUTION

Welding across width of trailer cross members weakens trailer chassis. Weld only as shown.

2. Weld Right Hand (RH) mount bracket P/N 282565-02 or P/N 282566-02 to slider rail on the RH side of trailer chassis as shown in **FIGS. 3-1 & 3-2**.



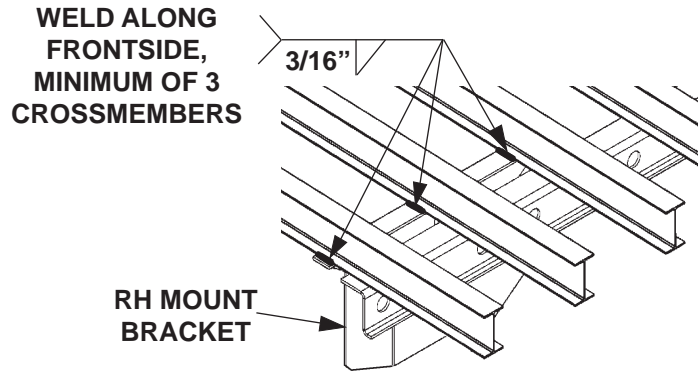
**WELDING OUTBOARD SIDE OF BRACKET
(RH SIDE OF TRAILER CHASSIS SHOWN)
FIG. 3-1**



**WELDING FRONT OF BRACKET
(RH SIDE OF TRAILER CHASSIS SHOWN)
FIG. 3-2**

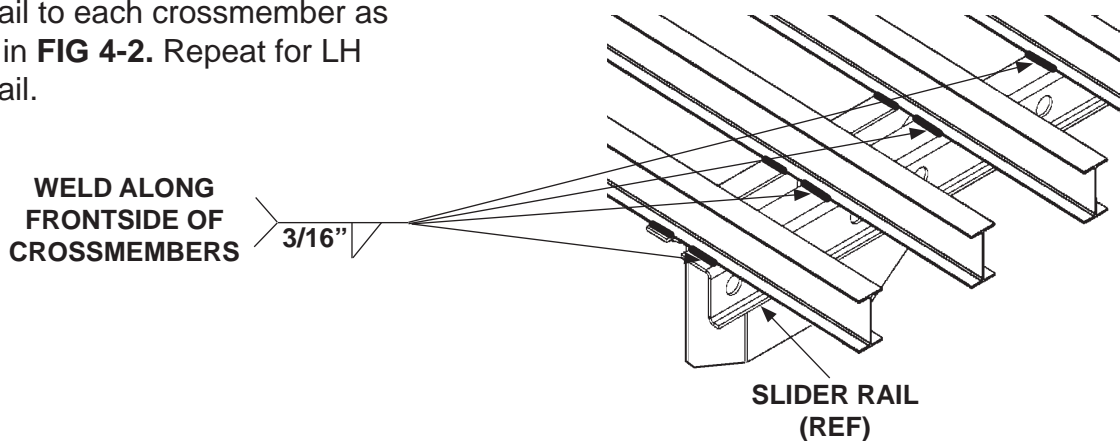
NOTE: Liftgate must be welded to the mount brackets on the RH and LH sides of trailer chassis as shown in this Instruction Sheet. The mount brackets represent the vehicle frame in the Installation Manual. For correct installation, use the complete instructions from the Installation Manual supplied with your Liftgate. If necessary, get the manual at www.maxonlift.com or call **Customer Service at (800) 227- 4116**.

3. Weld top of RH mount bracket to minimum of 3 crossmembers as shown in **FIG. 4-1**.
4. Repeat steps 2 and 3 for welding Left Hand (LH) mount bracket P/N 282565-01 or P/N 282566-01 on the LH side of trailer chassis.



**WELDING TOP OF BRACKET
(RH SIDE OF TRAILER CHASSIS SHOWN)
FIG. 4-1**

5. If slider rail is not welded to each of the crossmembers above mount bracket as shown, weld the RH trailer slider rail to each crossmember as shown in **FIG 4-2**. Repeat for LH slider rail.



**WELDING SLIDER RAIL TO
TRAILER CROSSMEMBERS
FIG. 4-2**

6. Follow the instructions in the Installation Manual (**M-16-24**) for welding Liftgate on vehicle. The Liftgate installation is not complete until the instructions in the Installation Manual are done.