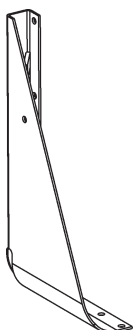


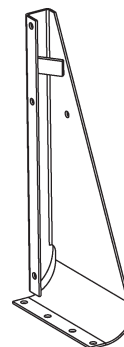
INSTRUCTIONS, CHEVY & GMC INSTALLATION KIT (C2 PICKUP LIFTGATES)

CHEVY & GMC 1500, 2500 & 3500 PICKUP TRUCKS, 2007 TO 2016

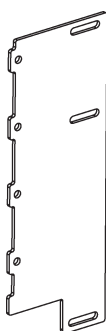
KIT P/N 289493-01



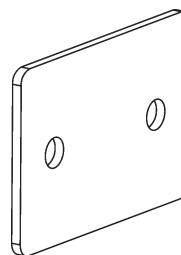
**MOUNTING BRACKET
WELDMENT, RH
P/N 289542-02
QTY. 1**



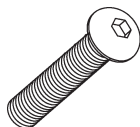
**MOUNTING BRACKET
WELDMENT, LH
P/N 289542-01
QTY. 1**



**MAIN FRAME
MOUNTING BRACKET
P/N 289540-01
QTY. 2**



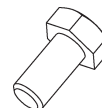
**PLATE BRACKET,
3.75" X 2.5"
P/N 289545-01
QTY. 2**

BOLT KIT, P/N 289488-01

BUTTONHEAD SCREW
3/8"- 16 X 1" LG.
P/N 900064-05
QTY. 8



PAN HEAD SCREW
#10-24 X 3/4" LG.
P/N 900753-07
QTY. 8



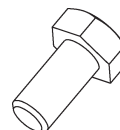
HEX CAP SCREW
3/16"-16 X 1" LG, GR5
P/N 900778-02
QTY. 12



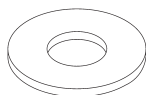
LOCK WASHER, 3/8"
P/N 902011-4
QTY. 20



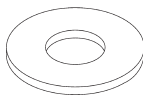
LOCK WASHER, 1/2"
P/N 902011-6
QTY. 6



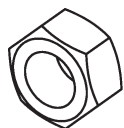
HEX CAP SCREW
1/2"- 13 X 1-1/4" LG, GR5
P/N 900781-02
QTY. 6



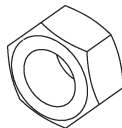
FLAT WASHER, 3/8"
P/N 902001-2
QTY. 6



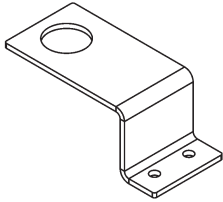
FLAT WASHER,
1-3/8" OD, 1/2"
P/N 902014
QTY. 4



HEX NUT, 3/8"-16
P/N 903161-05
QTY. 20



LOCK NUT, 1/2"-13
P/N 040066
QTY. 4

TIRE RELOCATOR KIT P/N 289634-01

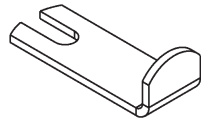
**TIRE RELOCATOR
(BRACKET)
P/N 289633-01
QTY. 1**



**PAN HEAD SCREW,
1/4-20 X 3/4" LG
P/N 900002-1
QTY. 2**



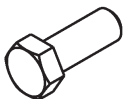
**LOCK NUT, 1/4-20"
P/N 040366
QTY. 2**

TAIL LIGHT CLIP KIT P/N 289632-01

**LIGHT CLIP
P/N 289631-01
QTY. 2**



**HEX FLANGE BOLT,
M8 X 12 MM LG.
P/N 901610-01
QTY. 2**

SPRING-FRAME KIT P/N 289635-01

**HEX CAP SCREW,
3/8"-16 X 1" LG, GR5
P/N 900778-02
QTY. 2**



**FLAT WASHER, 3/8"
P/N 902001-2
QTY. 2**



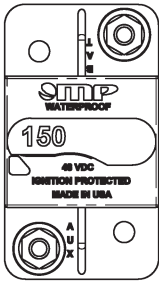
**LOCK WASHER, 3/8"
P/N 902011-4
QTY. 2**



**LOCK NUT,
3/8"-16
P/N 903161-05
QTY. 2**

NOTE: C2 Liftgates are shipped with the following parts kits for installing the Liftgate.
The parts are stored in the main frame housing.

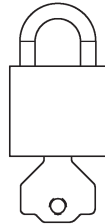
C2 LIFTGATE SMALL PARTS & MANUAL KIT P/N 289484-01



**CIRCUIT BREAKER,
150 AMP
P/N 907207-01
QTY. 1**



**LICENSE PLATE
LIGHT
P/N 907210-01
QTY. 1**



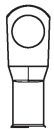
**PADLOCK (2 KEYS)
P/N 908221-01
QTY. 1**

**LICENSE
PLATE LIGHT
INSTALLATION
M-14-35**

**C2
OPERATION
MANUAL
M-14-36**



**NYLON PLUG, 1/2"
P/N 908081-01
QTY. 5**



**LUG, 4GA
COPPER, 3/8"
P/N 907278-01
QTY. 4**



**BUTT CONNECTOR,
14-16 AWG
P/N 030491
QTY. 2**



**SELF-TAPPING SCREW,
1/4"-20 X 5/8" LG.
P/N 900705-02
QTY. 2**



**PAN HEAD SCREW,
#10-24 X 3/4" LG.
P/N 900007-6
QTY. 2**



**DROP-AWAY PIN
P/N 289483-01
QTY. 1**



**BREATHER PLUG, 3/8" NPT
P/N 295049
QTY. 1**



**GROMMET NUT, 1/4"
P/N 901015-03
QTY. 2**

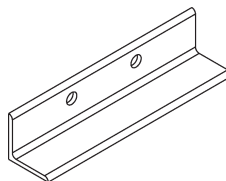


**NUT, #10-24
P/N 903163-02
QTY. 2**



**LOCK NUT, 3/8"-16
P/N 901016-4
QTY. 1**

LOWER MOUNTING ANGLE



**SHIPPING LEG
P/N 289543-02
QTY. 2**

NOTE: Installer is responsible for ensuring vehicle meets Federal, State, and Local standards and regulations.

BODY STRENGTH

⚠ WARNING

Consult vehicle body manufacturer for vehicle body strength data. Make sure the forces created by the Liftgate are within the limits prescribed by the vehicle body manufacturer.

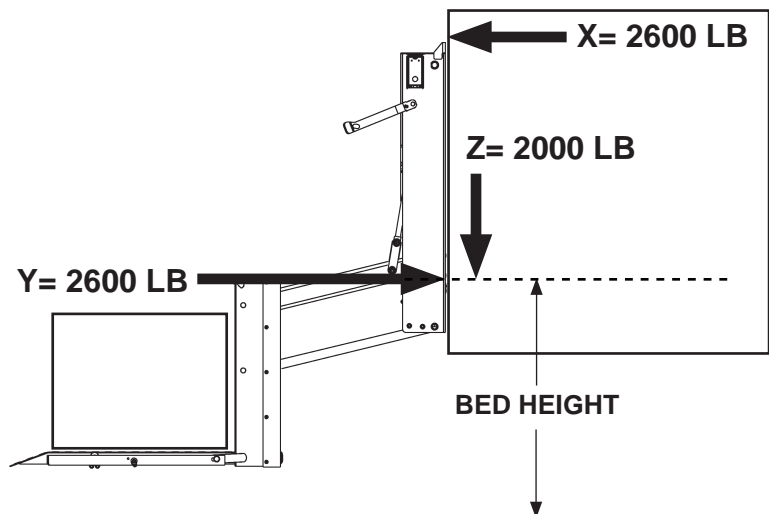
NOTE: Maximum operating bed height for C2 mounted on pickup body is 42" (Unloaded). Minimum bed height is 28" (Loaded).

The C2 is a body-mounted liftgate that put forces on the side walls of truck bodies (FIG. 5-1). For correct installation, truck bodies must be strong enough to withstand the tension, compression and shear forces shown in FIG. 5-1.

X= Tension on each sidewall

Y= Compression on each sidewall

Z= Shear on each sidewall



**C2 LIFTGATE SHOWN ON TRUCK BODY
FIG. 5-1**

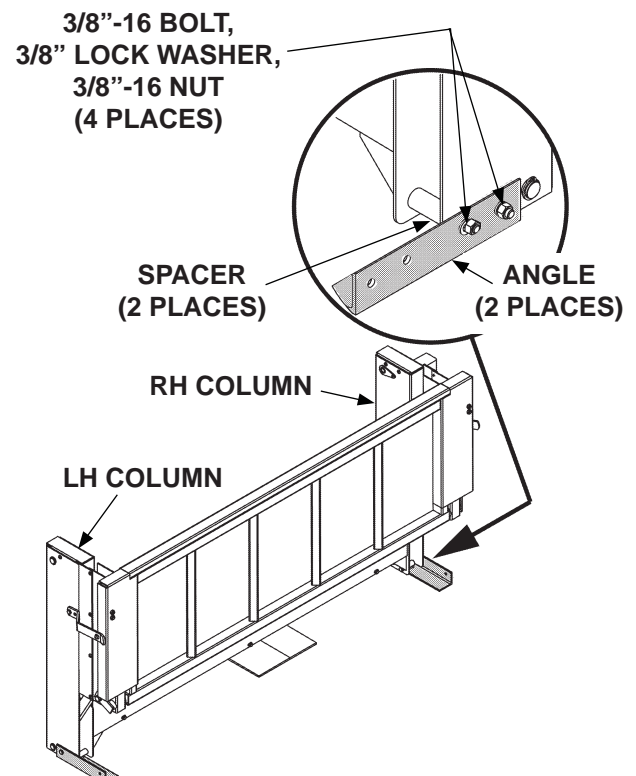
PREPARING LIFTGATE

1. Remove mounting kits shipped with liftgate.
Refer to **Sheets 1, 2 and 3**. Verify mounting brackets are the correct brackets for this installation.

⚠ CAUTION

Liftgate will not stand upright without the shipping angles. Before removing the angles, make sure Liftgate is supported with forklift or pallet jack. Injury & property damage could result if Liftgate falls over.

2. Support Liftgate on shipping pallet with forklift or pallet jack. Then, unbolt shipping angle from each column on the Liftgate (**FIG. 6-1**). Save shipping angles to use for lower mounting brackets.

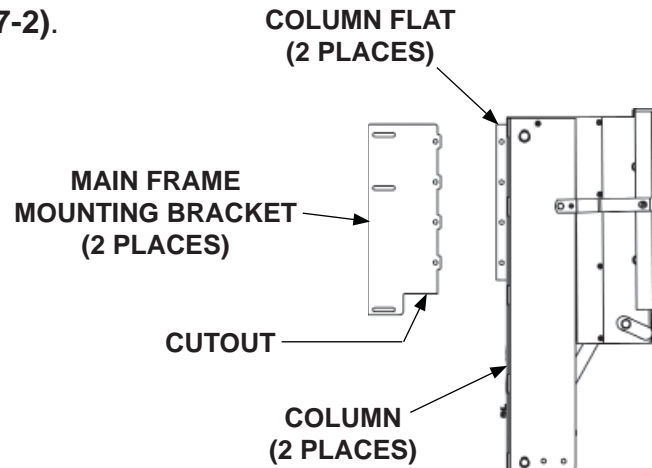


REMOVING SHIPPING ANGLES BOLTED
TO COLUMNS OF C2 LIFTGATE
FIG. 6-1

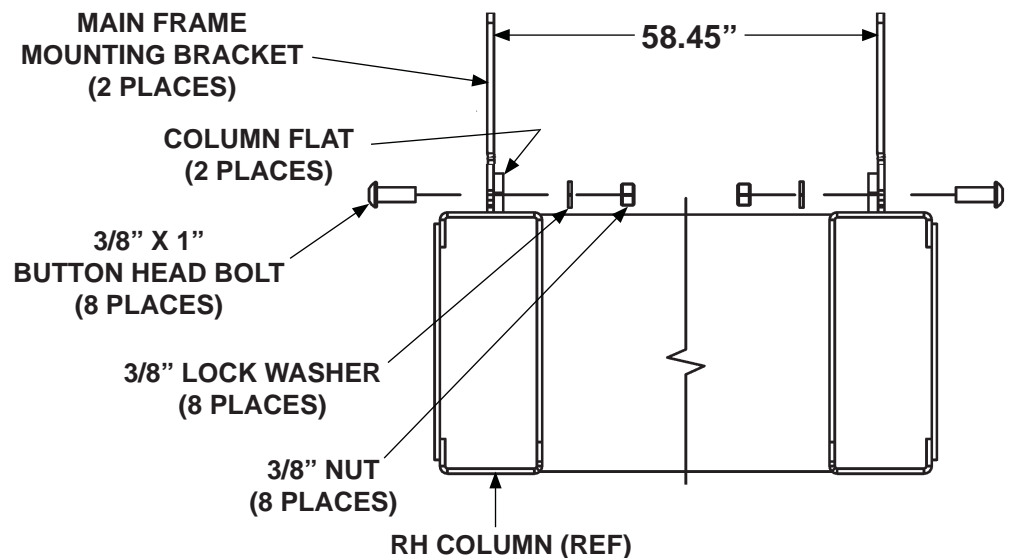
BOLTING ON MAIN FRAME BRACKETS

NOTE: The extra hole in the main frame mounting brackets is always below the 1/4" X 1" strip.

Bolt main frame mounting brackets (Kit items) to column flats (**FIGS. 7-1 and 7-2**).



**C2 LIFTGATE SHOWN WITH BOLT-ON
MAIN FRAME BRACKETS
FIG. 7-1**



**C2 LIFTGATE - BOLTING MAIN FRAME MOUNTING
BRACKETS TO COLUMNS (TOP VIEW)
FIG. 7-2**

PREPARING PICKUP TRUCK

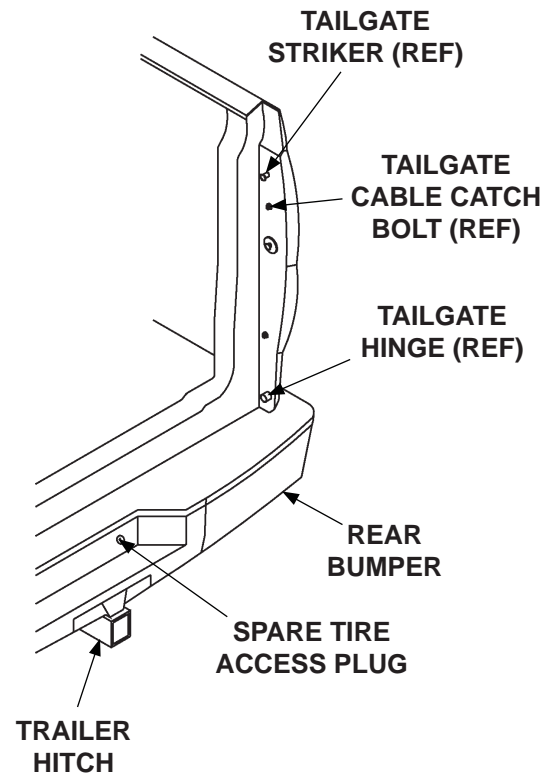
1. Use truck ignition key to unlock the spare tire access plug (**FIG. 8-1**). Remove the plug.
2. Remove spare tire from truck (**FIG. 8-1**). Refer to instructions in the owner's manual and use the tools provided with truck.
3. Unbolt the tailgate and supports (**FIG. 8-1**).
4. Support rear bumper and trailer hitch (**FIG. 8-1**) before unbolting the bumper and hitch.
5. Unbolt and remove trailer hitch (**FIG. 8-1**).

NOTE: If truck is equipped with dual rear wheels, side marker lamps may have to be disconnected and rewired.

6. Disconnect the wiring clips from rear bumper (**FIG. 8-1**).

NOTE: When liftgate is installed on the truck tailgate, trailer hitch, and rear bumper cannot be reinstalled.

7. Unbolt and remove rear bumper (**FIG. 8-1**).
8. Use the spring frame kit (**Sheet 3**) if bolts had to be removed from leaf spring shackles for rear bumper to be removed. Install the spring frame bolts and washers (Kit items) in the empty mounting holes on the frame of the spring shackle.

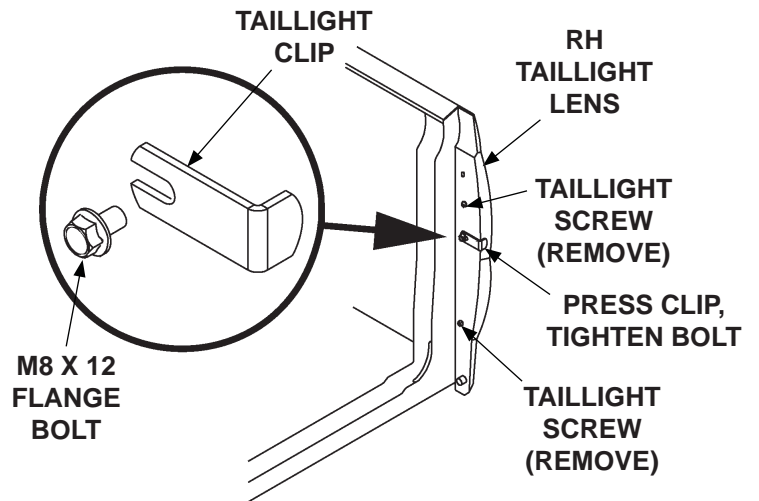


**REMOVING TAILGATE, REAR BUMPER & TRAILER HITCH
FIG. 8-1**

CHANGING TAILLIGHT MOUNTING

NOTE: Change the taillight mounting fasteners before installing the liftgate. The new fasteners will allow both taillight lenses to be removed after the liftgate is installed.

1. Remove 2 original taillight screws and RH taillight lens from pickup bed (**FIG. 9-1**). Repeat for LH taillight lens.
2. Ensure all tailgate mounting fasteners have been removed (**FIG. 8-1**).
3. Reinstall the LH and RH taillight lenses (**FIG. 9-1**) without using the original fasteners.
4. Insert M8 X 12 flange bolt (Kit item) through taillight clip (Kit item) for each taillight lens (**FIG. 9-1**). Then, fasten clip to the tailgate cable catch bolt hole on the RH and LH side of opening in the pickup bed (**FIG. 9-1**).
5. Press clip against each taillight lens and tighten bolt (**FIG. 9-1**).



INSTALLING TAILLIGHT MOUNTING CLIPS
FIG. 9-1

BOLTING ON SPARE TIRE RELOCATOR BRACKET

NOTE: The spare tire relocater bracket provides access to the spare tire hoist after the liftgate is installed.

1. Position relocater bracket on the inside lip of the pickup bed as shown in **FIGS. 10-1 & 10-2**. Ensure the spare tire access tube extends through the large hole in the new bracket.

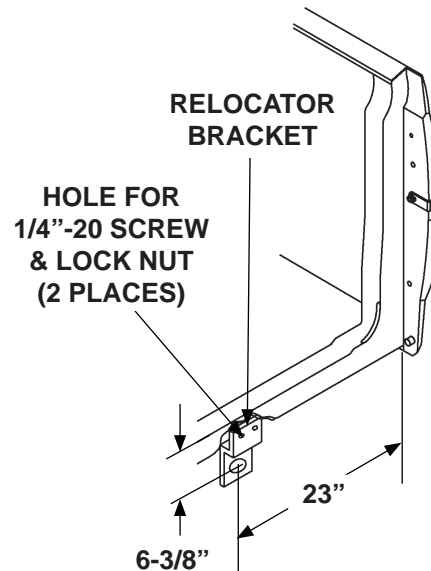
CAUTION

Before drilling holes in the pickup bed, ensure there are no obstructions to drill bit or items behind sheet metal that could be damaged.

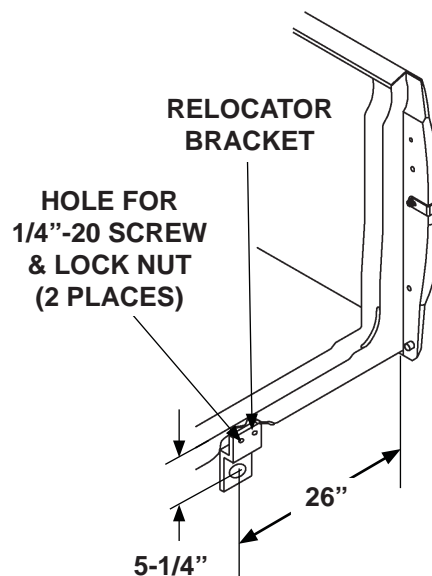
2. Use relocater bracket as a template to mark and drill 2 holes, for 1/4"-20 screws, on the pickup bed (**FIGS. 10-1 & 10-2**).

3. Screw the relocater bracket to pickup bed (**FIGS. 10-1 & 10-2**) with two 1/4"-20 screws and lock nuts (Kit items).

4. Before installing liftgate, ensure plastic plug is removed from spare tire access hole on rear of the liftgate.



**POSITIONING RELOCATOR BRACKET
(FOR LONG BED)
FIG. 10-1**



**POSITIONING RELOCATOR BRACKET
(FOR SHORT BED)
FIG. 10-2**

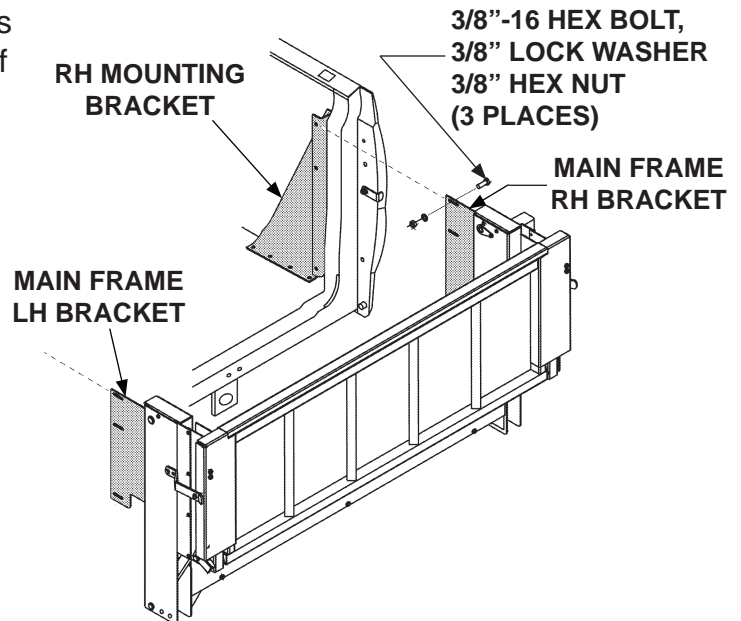
INSTALLING LIFTGATE

NOTE: Holes for mounting brackets are marked and drilled only after liftgate is in correct position on the pickup bed.

1. Position the LH and RH mounting brackets (Kit items) in the pickup bed just forward of corner posts (**FIG. 11-1**).

2. Position liftgate in the rear opening of the pickup bed (**FIG. 11-1**).

- Liftgate centered on rear opening in pickup bed
- Columns vertical
- Spare tire access hole aligned with spare tire tube on truck
- Top of main frame flush with floor of pickup bed



BOLTING LIFTGATE TO RH MOUNTING BRACKET
FIG. 11-1

NOTE: Ensure nuts and lock washers are on the inboard side of the mounting brackets.

3. Bolt the main frame brackets on liftgate, to the RH mounting brackets as shown in **FIG. 11-1**. Handtighten bolts and nuts. Repeat for LH mounting bracket.

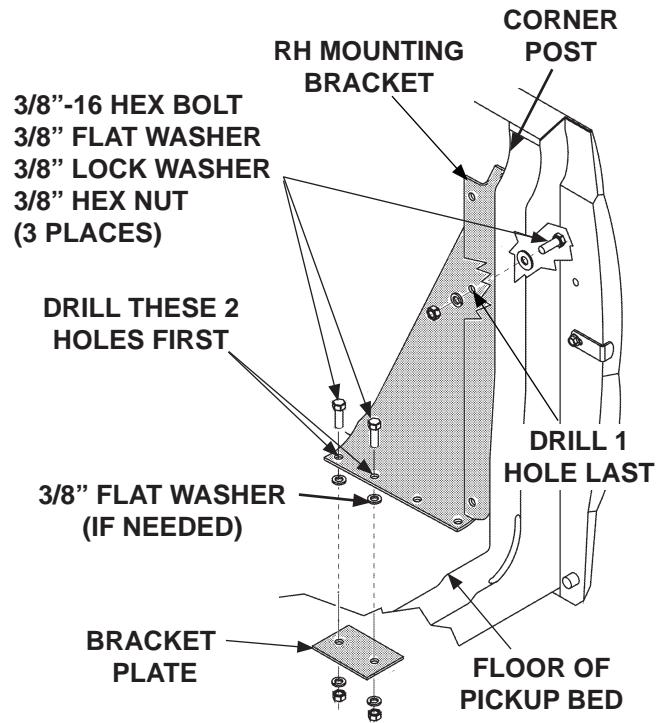
NOTE: To fill gaps between mounting bracket and floor, use 3/8" flat washers below bracket, with each bolt.

- Let liftgate hang with support from corner posts of the pickup bed.

CAUTION

Before drilling holes in the pickup bed, ensure there are no obstructions to drill bit or items that could be damaged.

- Hold RH mounting bracket against corner post of the pickup bed (**FIG. 12-1**). Then, use 2 bracket holes closest to front of truck, to drill 2 holes for 3/8"-16 bolts in floor of the pickup bed (**FIG. 12-1**). Repeat for LH mounting bracket.
- Bolt RH mounting bracket to the floor of pickup bed as shown in **FIG. 12-1**. Repeat for LH mounting bracket.
- Unlatch and unfold platform. Refer to operation manual if needed. Then, adjust liftgate position so platform is level from front to back.
- Securely tighten 3 bolts fastening RH mounting bracket to main frame bracket (**FIG. 12-1**). Ensure the split lock washers are not in the slotted holes on main frame bracket. Repeat for LH mounting bracket.
- Check and ensure there is enough clearance between the taillight lenses and liftgate.
- Use upper hole in the RH mounting plate as a template to drill hole through inner side of pickup bed (**FIG. 12-1**). Then, bolt RH mounting plate to inner side wall of pickup bed as shown in **FIG. 12-1**. Repeat for LH mounting plate.



BOLTING RH MOUNTING BRACKET TO PICKUP BED (LIFTGATE NOT SHOWN)
FIG. 12-1

CHECKING ACCESS TO SPARE TIRE

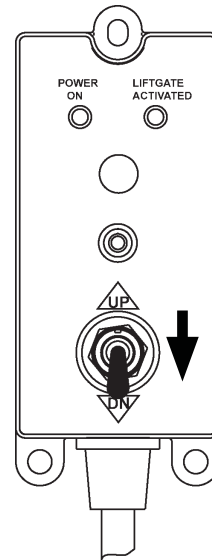
CAUTION

Do not use a battery charger for connecting power to Liftgate power cables.

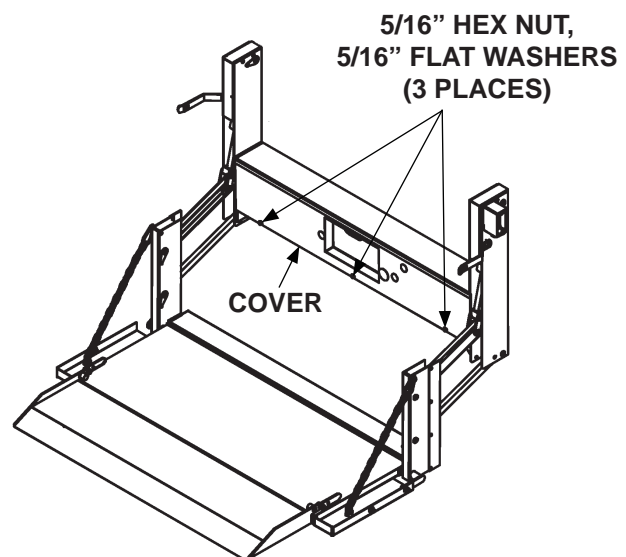
1. Connect power from a 12 volt truck battery to the Liftgate power cables extending from the back of main frame housing.
2. Refer to operating instructions, in **C2 Operation Manual**, to unfold platform and activate the Liftgate.

NOTE: With the **POWER ON** and **LIFTGATE ACTIVATED** lights on, the Liftgate can be raised or lowered. If the Liftgate is not used for 90 seconds, the control will automatically deactivate.

3. Use the control switch to lower (**DN**) the platform to the ground (**FIG. 13-1**).
4. Unbolt and remove cover from main frame housing (**FIG. 13-2**).



USING CONTROL SWITCH TO LOWER LIFTGATE
FIG. 13-1



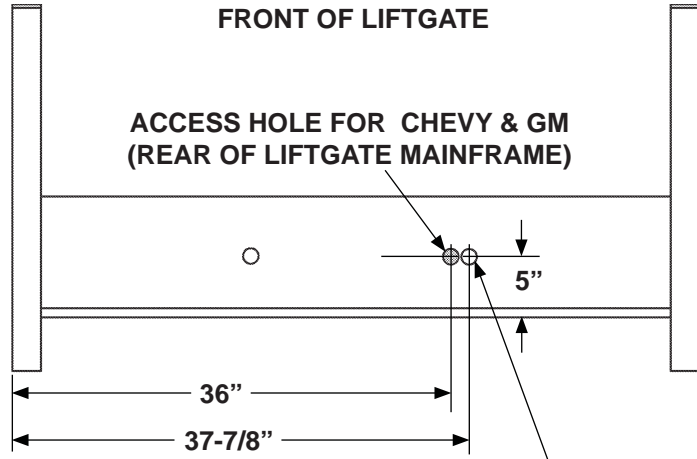
REMOVING HOUSING COVER FROM C2 LIFTGATE
FIG. 13-2

CHECKING ACCESS TO SPARE TIRE - Continued

5. Remove the correct black plastic plugs from the cover and mainframe (FIGS. 14-1 and 14-2).

6. Insert the spare tire crank handle through the holes in the liftgate main frame.

LH COLUMN
(DRIVER SIDE)

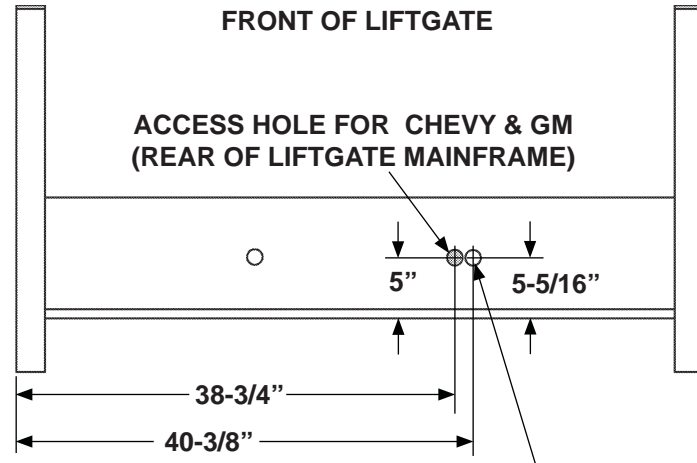


1-1/4" OR 2" DIA. ACCESS HOLE (FRONT OF LIFTGATE MAINFRAME)

**REMOVING PLASTIC PLUGS FOR SPARE TIRE ACCESS, CHEVY & GM SHORT BED PICKUP
FIG. 14-1**

7. Ensure spare tire can be accessed using the crank handle.

LH COLUMN
(DRIVER SIDE)

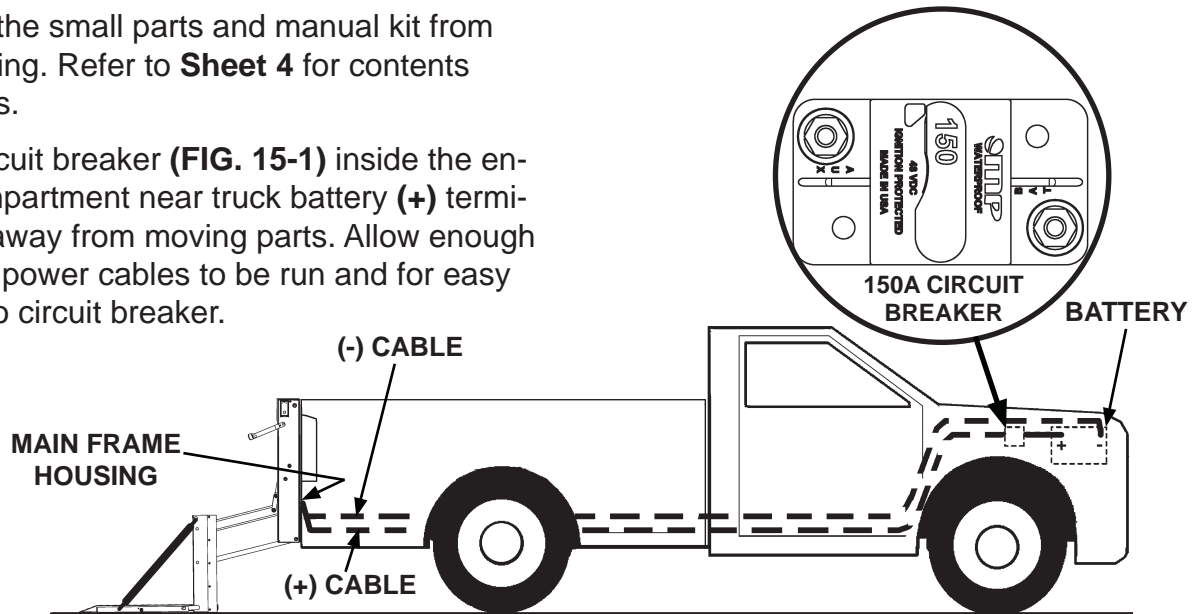


ACCESS HOLE (FRONT OF LIFTGATE MAINFRAME)

**REMOVING PLASTIC PLUGS FOR SPARE TIRE ACCESS, CHEVY & GM LONG BED PICKUP
FIG. 14-2**

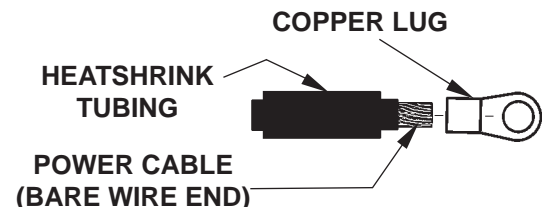
ROUTING POWER CABLES

1. Remove the small parts and manual kit from the housing. Refer to **Sheet 4** for contents of the kits.
2. Install circuit breaker (**FIG. 15-1**) inside the engine compartment near truck battery (+) terminal and away from moving parts. Allow enough room for power cables to be run and for easy access to circuit breaker.



RUNNING POWER CABLES FROM LIFTGATE TO BATTERY
FIG. 15-1

3. Pull the (+) and (-) power cables through the cord grip on back of main frame housing. Leave about 2" of slack, for power cables, inside main frame housing.
4. Route power cables along truck frame to truck battery (**FIG. 15-1**). Pull extra cable beyond the battery terminals. Then, separate positive (+) cable from negative (-) cable.
5. Cut positive (+) cable to the length required to reach the **AUX** terminal of the circuit breaker (**FIG. 15-1**), without putting strain on the connection. Install copper lug (Kit item) (**FIGS. 15-2 and 15-3**). Then, connect to **AUX** terminal on 150A circuit breaker.



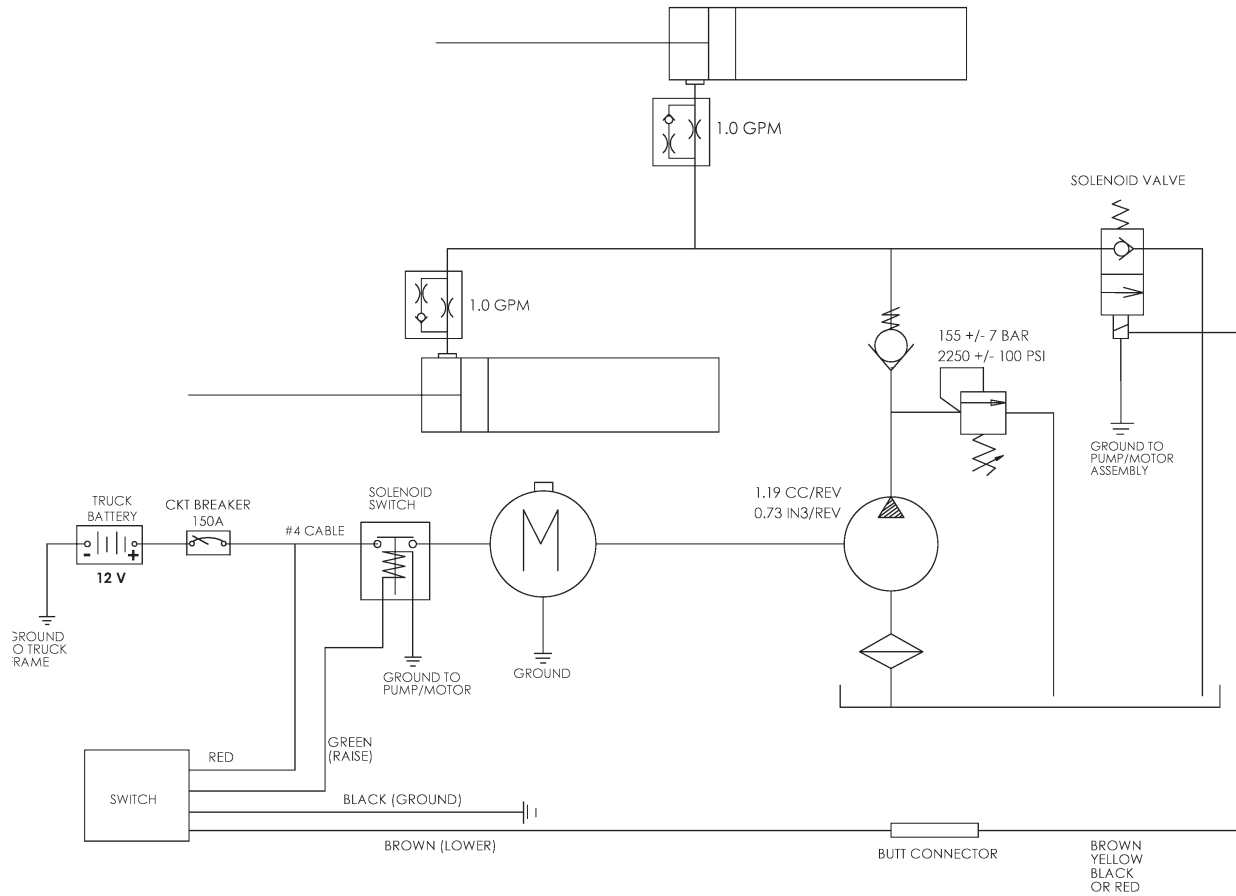
PLACING COPPER LUG & HEATSHRINK TUBING ON POWER CABLE
FIG. 15-2

6. Cut remaining positive (+) cable long enough to reach from the circuit breaker **BAT** terminal to the positive (+) battery terminal (**FIG. 15-1**) without putting strain on the connection. Install copper lugs (Kit item) on both ends of cable (**FIGS. 15-2 and 15-3**). Then, connect cable to **BAT** terminal on 150A circuit breaker and positive (+) terminal on battery.



TYPICAL POWER CABLE WITH COPPER LUG INSTALLED
FIG. 15-3

7. Cut negative (-) cable to length required to reach negative (-) battery terminal without putting strain on the connection. Install copper lug (Kit item) (**FIGS. 15-2 and 15-3**). Then, connect cable to negative (-) terminal on battery.



**C2 PICKUP LIFTGATE HYDRAULIC &
ELECTRICAL SYSTEMS DIAGRAM
FIG. 16-1**

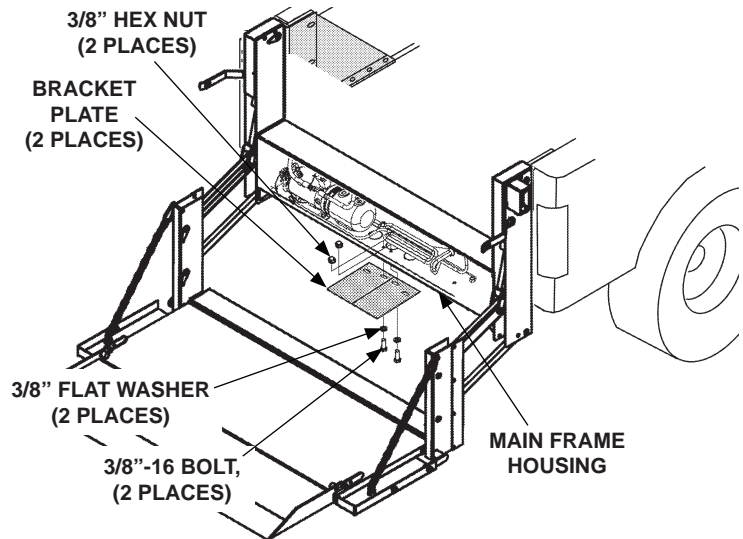
INSTALL LOWER MOUNTS

CAUTION

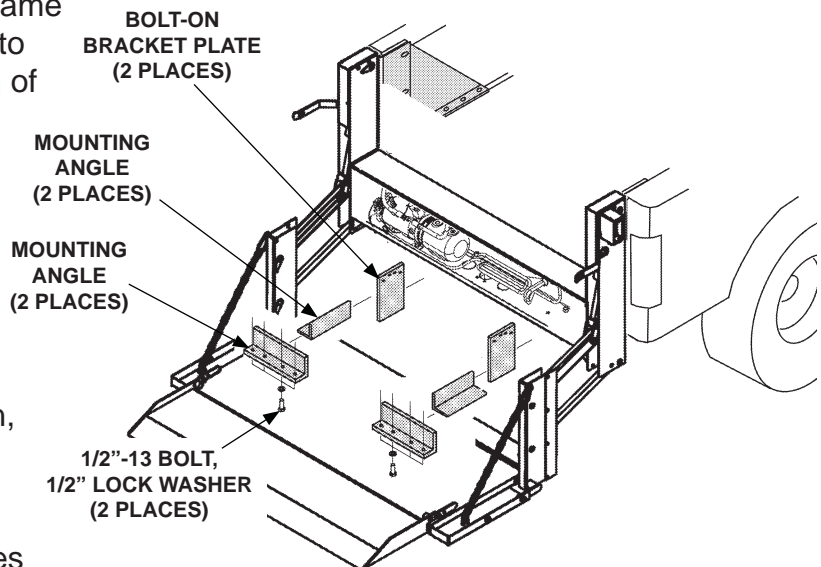
Liftgate can be severely damaged by connecting electric welder to liftgate at the wrong place. To prevent damage, always connect ground lead directly to component being welded & as close as possible to weld.

NOTE: Lower mounts are essential for Liftgate to be installed correctly. They attach to the truck frame and support the bottom of Liftgate.

1. Unbolt bracket plates from bottom of main frame housing (**FIG. 17-1**).
2. Position 2 bolt-on mounting angles, nearest to truck frame at bottom of Liftgate main frame housing (**FIG. 17-2**). Then bolt each angle to hole allowing closest fit to truck frame.
3. Position 2 bracket plates (Kit items) on truck frame at bottom of Liftgate main frame housing (**FIG. 17-2**). Bolt to truck frame. If necessary, modify bracket plates for best fit.
4. Clamp 2 short angles (no holes) (Kit items) to bracket plates on truck frame (**FIG. 17-2**). Position the 2 angles to reach the angles bolted on bottom of main frame housing.
5. With angles, and bracket plates positioned and clamped together, tack weld the angles and plates in position (**FIG. 17-2**).
6. Unbolt tack-welded lower brackets from truck frame (**FIG. 17-2**). Then, finish weld the bracket plates and angles.
7. Bolt the finish-welded bracket plates and angles back in position on the bottom of the main frame housing and truck frame (**FIG. 17-2**).



**REMOVING BRACKET PLATES FROM MAIN FRAME HOUSING (C2 SHOWN)
FIG. 17-1**



**FABRICATING LOWER BRACKETS TO SUPPORT LIFTGATE (C2 SHOWN)
FIG. 17-2**

COMPLETE LIFTGATE INSTALLATION

CAUTION

Hydraulic system is filled at the factory with correct amount of oil. It is unnecessary to add more oil except as required for periodic maintenance of the liftgate.

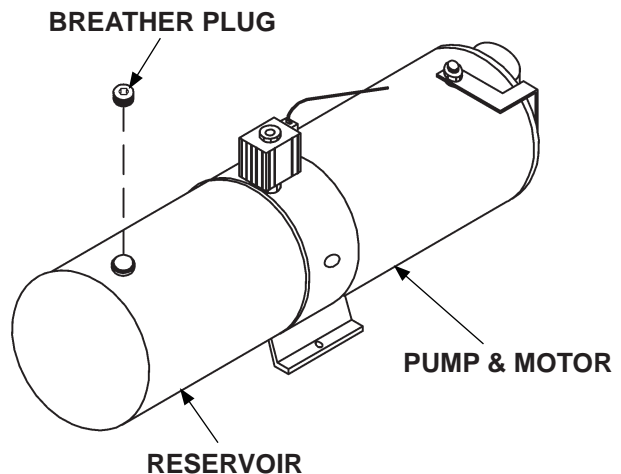
1. Remove the solid plug from the pump reservoir (FIG. 18-1). Install breather plug (Kit item) in pump reservoir.

2. Bolt on main frame cover (FIG. 18-2).

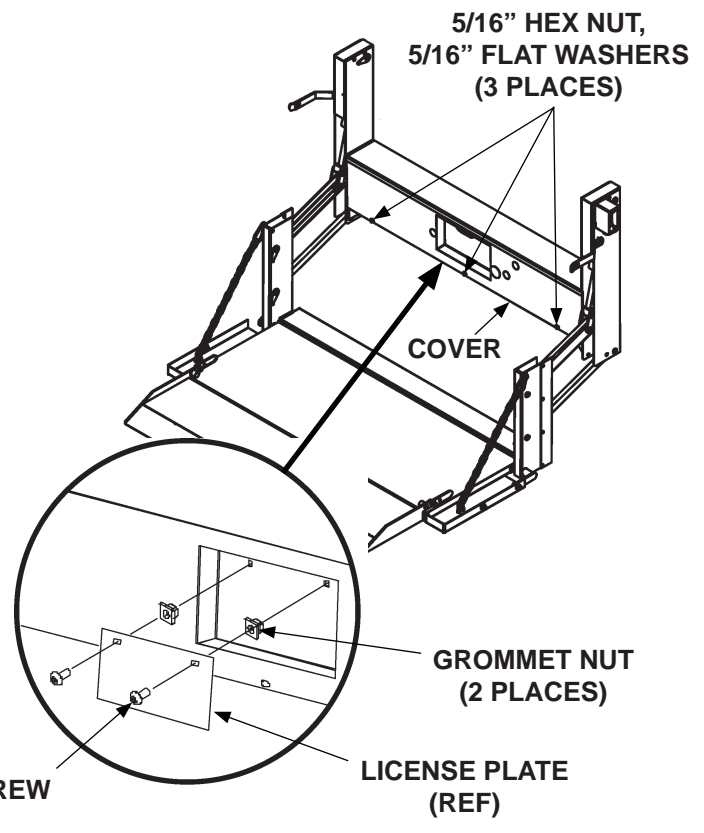
3. Install the two square plastic grommet nuts (Kit item), for the license plate, into the square holes on the Liftgate main frame cover (FIG. 18-2).

4. Install the license plate using two 1/4"-20 self-tapping screws (Kit item) (FIG. 18-2).

5. Install the license plate lights into the holes provided. Refer to instruction sheet M-14-35. Then, connect the license plate lights to the vehicle's wiring.



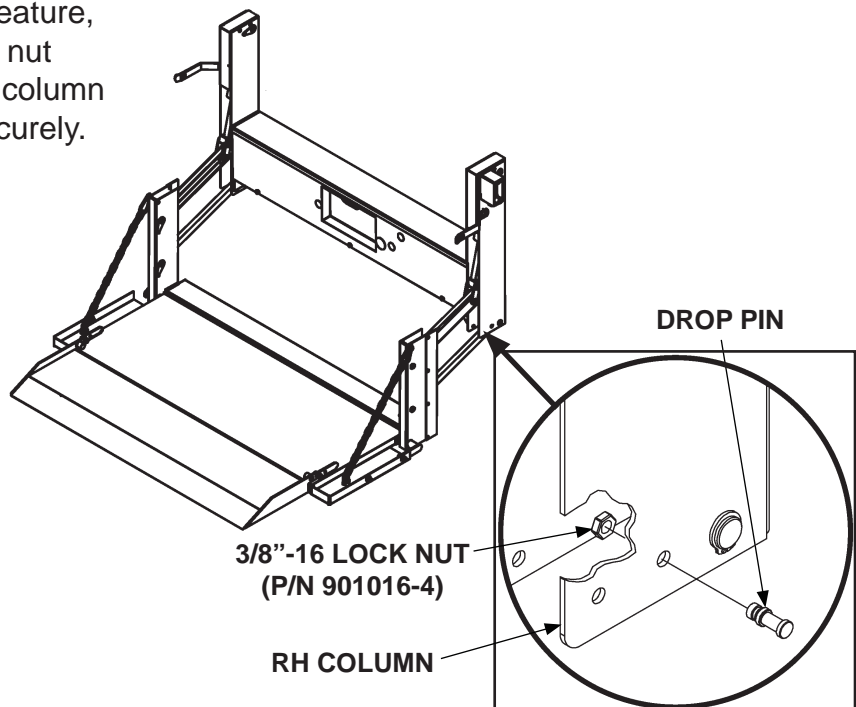
INSTALLING VENT PLUG ON PUMP RESERVOIR
FIG. 18-1



INSTALLING COVER & LICENSE PLATE (C2 LIFTGATE SHOWN)
FIG. 18-2

COMPLETE LIFTGATE INSTALLATION - Continued

6. To use the drop-away platform feature, install drop pin and 3/8"-16 lock nut (Kit items) on the bottom of RH column (FIG. 19-1). Tighten lock nut securely.



**INSTALLING DROP PIN ON
RH COLUMN (C2 LIFTGATE SHOWN)
FIG. 19-1**

7. Install the 3/8" round plastic plugs into the empty holes in the bottom of the columns.
8. If previously removed, reinstall spare tire.

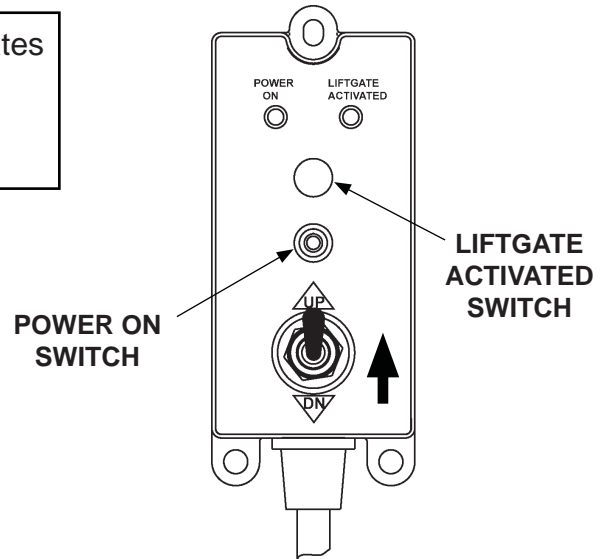
TEST OPERATION OF LIFTGATE

! WARNING

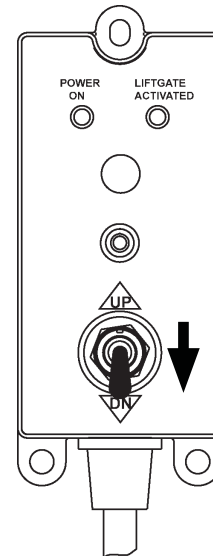
Keep all foreign objects out of the Liftgate mainframe and away from pinch points at all times when operating Liftgate.

NOTE: The **LIFTGATE ACTIVATED** LED illuminates when Liftgate power is on. Control switch should deactivate after 90 seconds of not being used.

1. Check operation of control switch for proper operation by pressing **POWER ON** button once to activate. Next, press **POWER ON** button again to deactivate Liftgate power. Then, press the **POWER ON** button twice to reset low voltage (**FIG. 20-1**).
2. Press the **LIFTGATE ACTIVATED** switch within 1 second to activate the timer (**FIG. 20-1**).
3. Raise (**UP**) and lower (**DN**) the unloaded platform (**FIGS. 20-1** and **20-2**) on a flat surface. Check for proper operating speed and alignment with the ground.
4. Load the platform with the rated capacity and measure the time to **RAISE** the platform (**FIG. 20-1**). The platform should raise approximately 2" to 3" per second.
5. Examine the platform for any downward creep.
6. Measure the time to **LOWER** the platform still loaded (**FIG. 20-2**). The load should descend approximately 7" to 9" per second.
7. Remove the load from the platform and examine the Liftgate and vehicle for hydraulic oil leaks, loose wiring, and any other problems.
8. Reinstall the main frame housing cover. Then, close and latch platform.



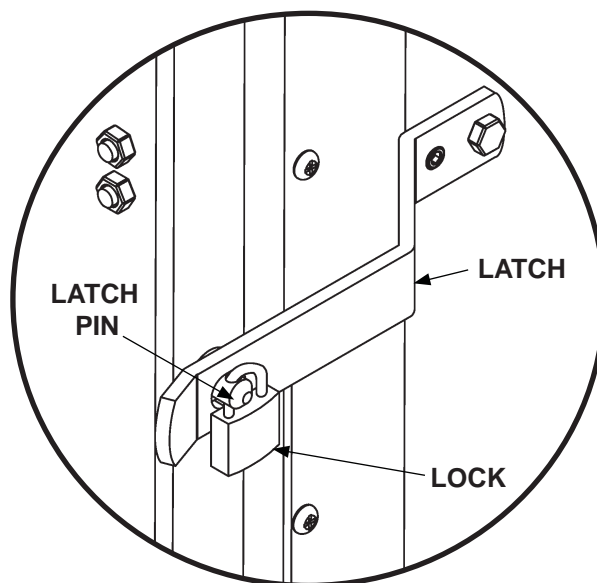
**CHECKING OPERATION OF CONTROL SWITCH AND RAISING PLATFORM
FIG. 20-1**



**USING CONTROL SWITCH TO LOWER PLATFORM
FIG. 20-2**

TEST OPERATION OF LIFTGATE - Continued

9. Lock the latch on LH side or RH side through the hole in the latch pin (**FIG. 21-1**).



**LOCKING PLATFORM
(C2 LIFTGATE)
FIG. 21-1**