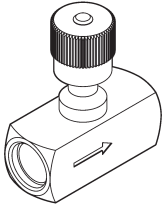


## INSTRUCTION, GPT HAND PUMP KIT (BUCHER PUMP) INSTALLATION

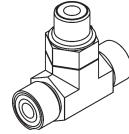
KIT P/N 296075-01



NEEDLE VALVE,  
ADJUSTABLE, SAE #6  
P/N 906739-01  
QTY. 1



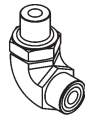
CONNECTOR, SAE #6 FACE SEAL,  
SAE #4 O-RING  
P/N 906759-01  
QTY. 2



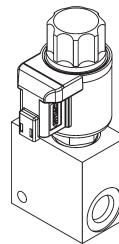
TEE, SAE #6 FACE  
SEAL O-RING  
P/N 906745-01  
QTY. 1



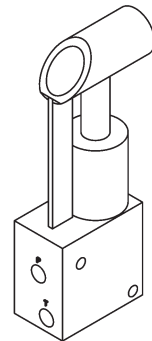
FITTING, STRAIGHT  
O-RING, SAE#6  
P/N 906751-01  
QTY. 1



ELBOW, SAE#6,  
MALE FACE  
SEAL, O-RING  
P/N 906707-01  
QTY. 1



LOCK VALVE ASSEMBLY,  
WITH OVERRIDE, 12V  
P/N 282744-03  
QTY. 1



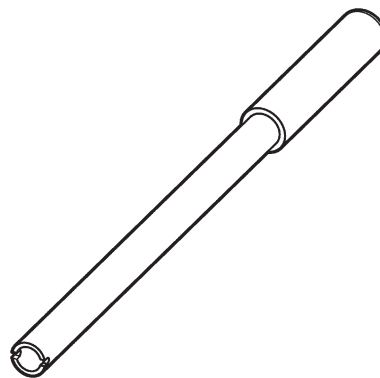
HAND PUMP,  
SAE#4 PORTS  
P/N 266588-01  
QTY. 1



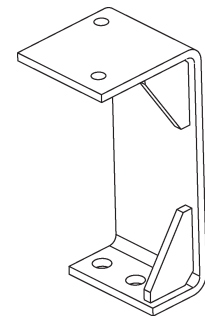
POP RIVET, LARGE FLANGE  
3/16" X .55" DOME  
P/N 904002-2  
QTY. 2



SPRING CLIP HOLDER  
P/N 227681  
QTY. 2



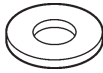
HANDLE, HAND PUMP  
P/N 251407-02  
QTY. 1



BRACKET,  
HAND PUMP (GPTB)  
P/N 288930-01G  
QTY. 1



**FLAT WASHER, 3/8"**  
P/N 902013-11  
QTY. 2



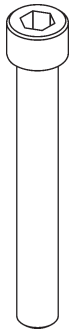
**FLAT WASHER, 1/4"**  
P/N 902000-2  
QTY. 2



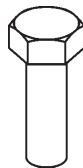
**LOCK NUT, 1/4"-20**  
P/N 901000  
QTY. 2



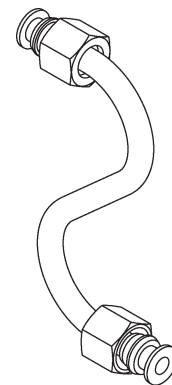
**LOCK NUT, 3/8"-16**  
P/N 901002  
QTY. 2



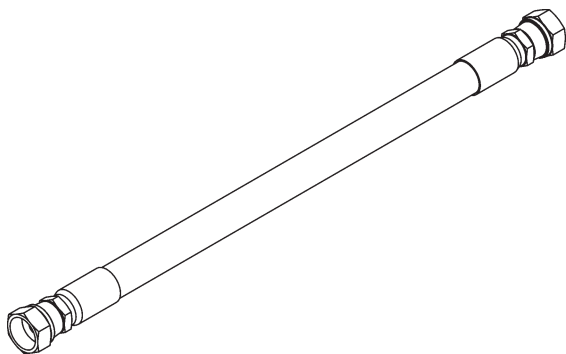
**SOCKET SCREW,**  
1/4"-20 X 2" LG, GR8  
P/N 900025-8  
QTY. 2



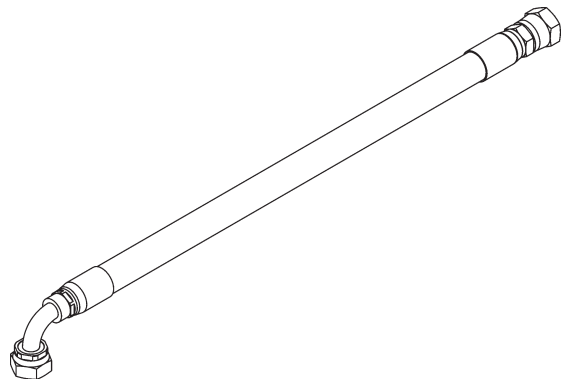
**HEX CAP SCREW,**  
3/8"-16 X 1" LG, GR8  
P/N 900014-4  
QTY. 2



**TUBE ASSY,**  
(3/8" O.D., #8 FACE SEAL)  
P/N 296069-01  
QTY. 1

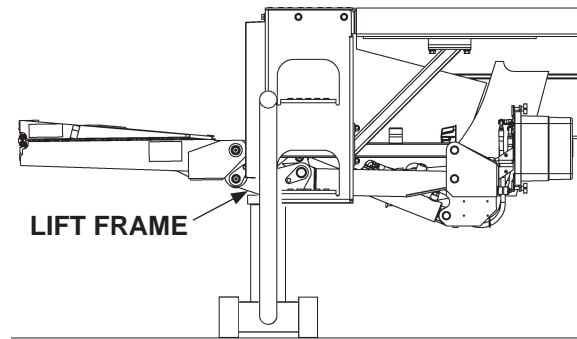


**HOSE ASSEMBLY, STRAIGHT 3/8" I.D. X 18" LG.**  
P/N 282467-01  
QTY. 1



**HOSE ASSY (WITH 90° ELBOW), 3/8" I.D. X 20" LG.**  
P/N 282468-01  
QTY. 1

1. Lower the platform to a comfortable work height (**FIG. 3-1**). Then, use jack under the lift frame to support the Liftgate (**FIG. 3-1**). Refer to **GPT Operation Manual** for detailed operating instructions.

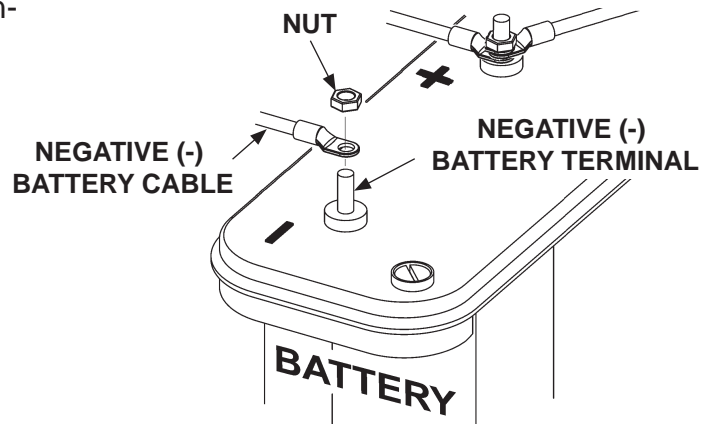


**SUPPORTING LIFT FRAME WITH JACK**  
**FIG. 3-1**

**⚠ WARNING**

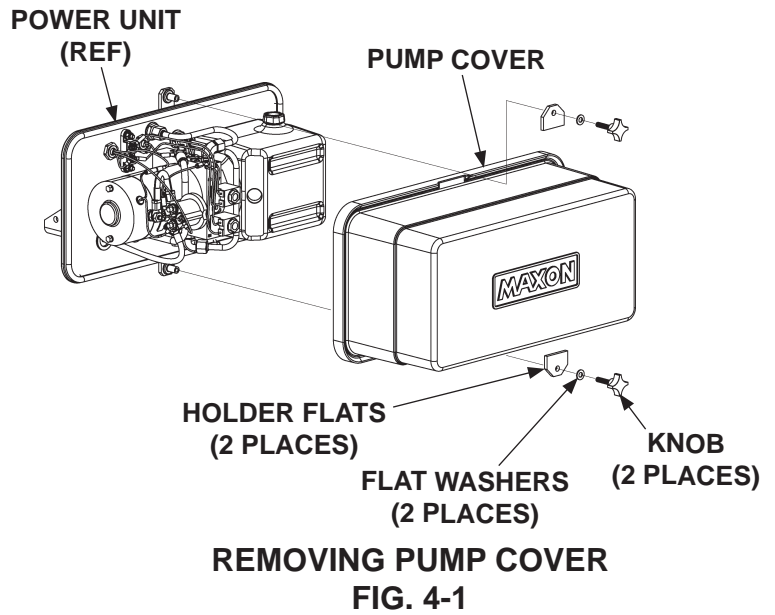
To prevent personal injury and equipment damage, make sure power is disconnected from Liftgate while installing hydraulic electrical parts.

2. Disconnect power from Liftgate by disconnecting negative (-) battery cable from negative (-) battery terminal (**FIG. 3-2**).

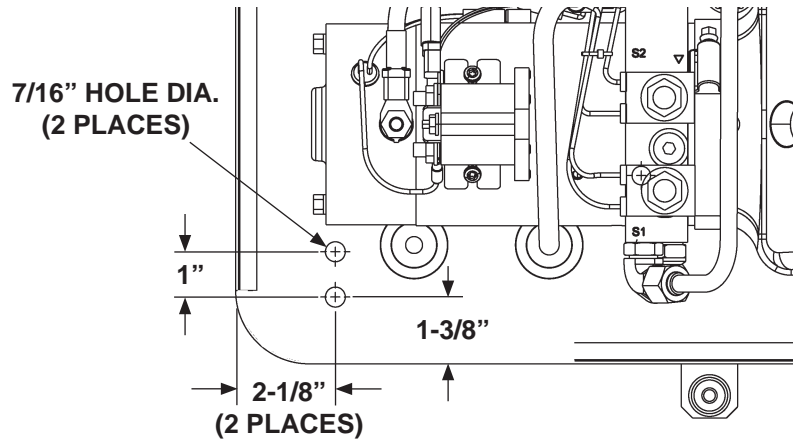


**DISCONNECTING POWER**  
**FIG. 3-2**

3. Unfasten and remove pump cover  
(FIG. 4-1).

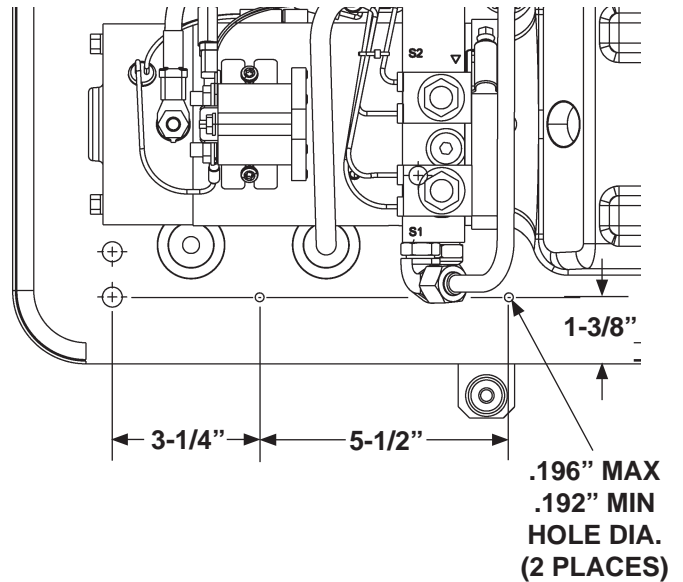


4. Measure, mark, and drill holes in mounting plate for the mounting bracket (**FIG. 5-1**).



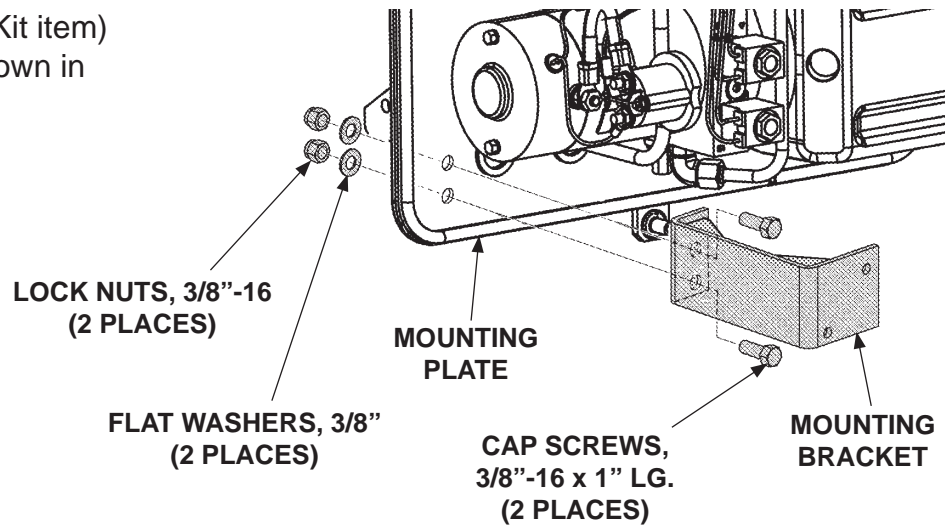
**HOLE PATTERNS FOR MOUNTING BRACKET**  
**FIG. 5-1**

5. Measure, mark, and drill 2 holes for spring clips (**FIG. 5-2**).



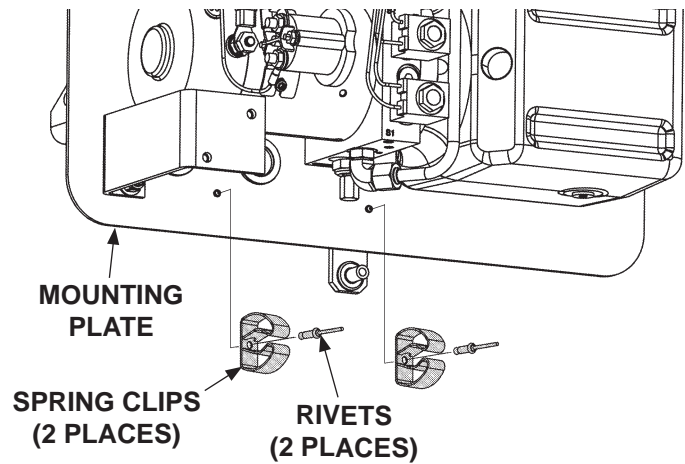
**HOLE PATTERNS FOR SPRING CLIPS**  
**FIG. 5-2**

6. Bolt mounting bracket (Kit item) to mounting plate as shown in FIG. 6-1.



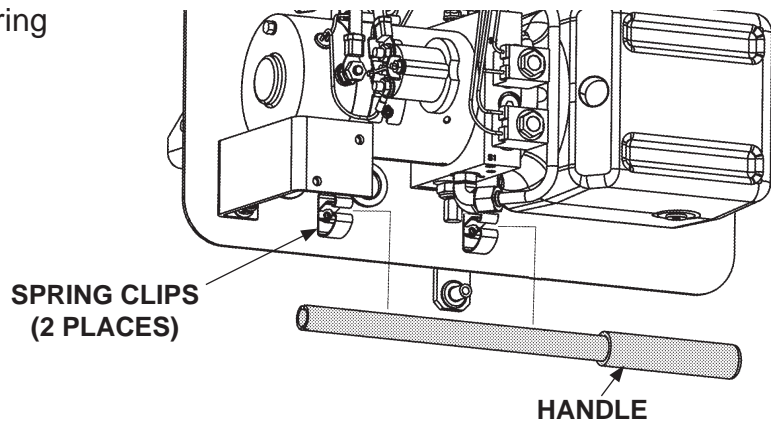
**BOLTING ON MOUNTING BRACKET  
FIG. 6-1**

7. Rivet the 2 spring clips to mounting plate (FIG. 7-1).



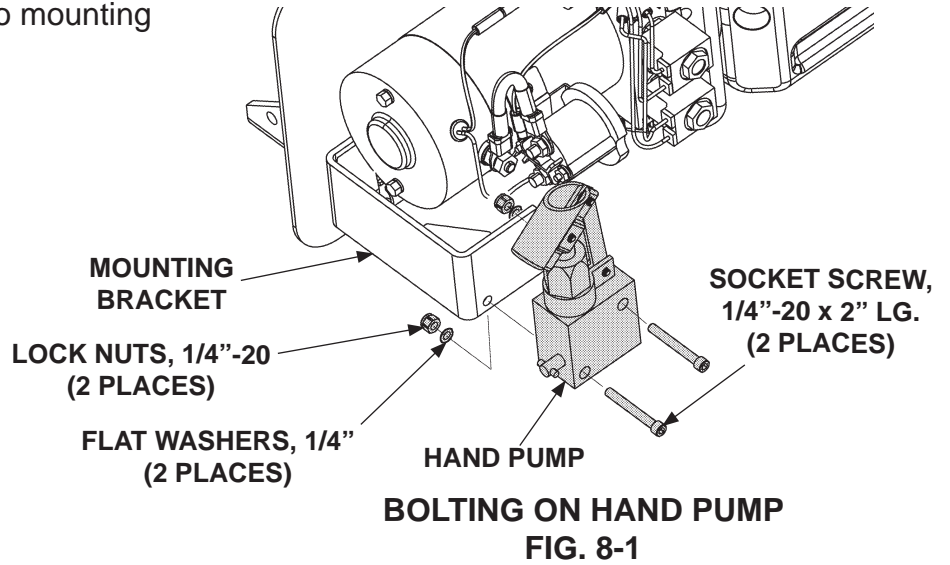
**RIVETING SPRING CLIPS  
FIG. 7-1**

8. Place handle (Kit item) in the spring clips as shown in FIG. 7-2.



**STOWING HANDLE IN SPRING CLIPS  
FIG. 7-2**

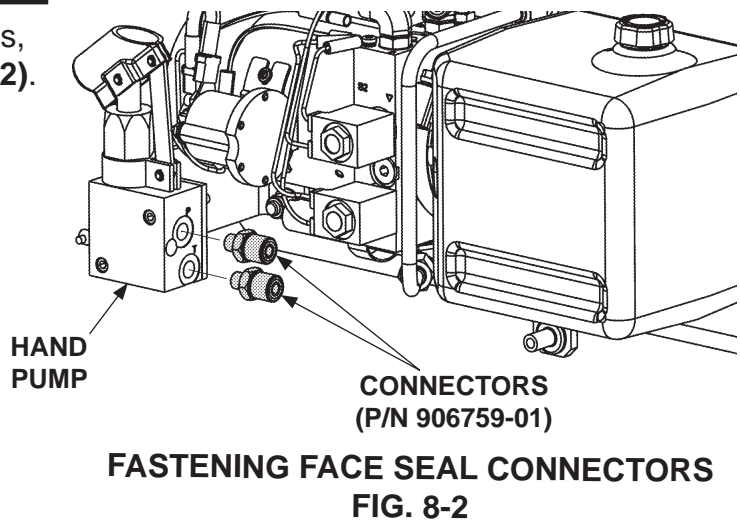
9. Bolt hand pump (Kit item) to mounting bracket (**FIG. 8-1**).



## CAUTION

Torque the connectors to 13-15 lb-ft.  
Do not overtighten.

10. Fasten 2 face seal connectors (Kit items, P/N 906759-01) to hand pump (**FIG. 8-2**).

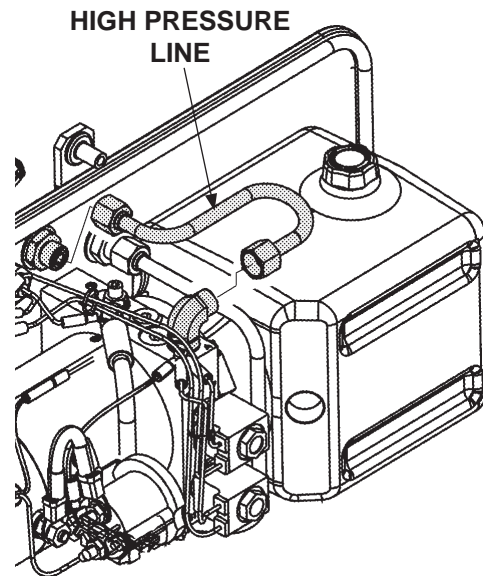




## CAUTION

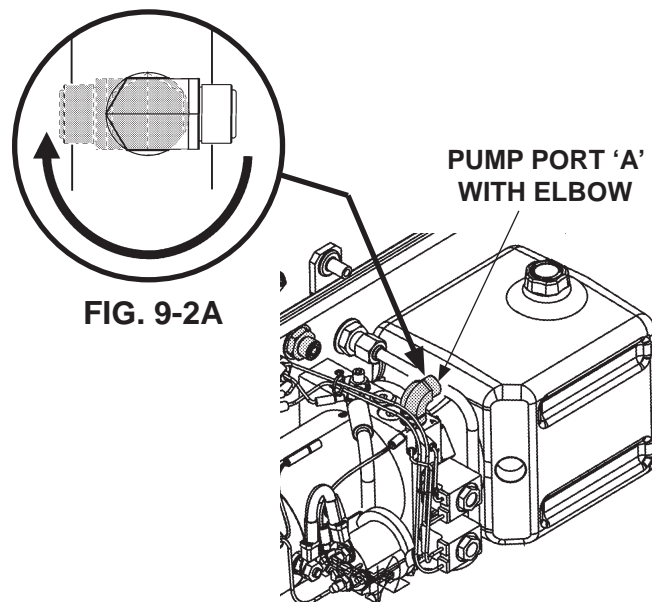
Keep dirt, water and other contaminants from entering the hydraulic system. Before opening the hydraulic fluid reservoir filler cap, drain plug and hydraulic lines, clean up contaminants that can get in the openings. Also, protect the openings from accidental contamination.

11. Remove and discard high pressure line from pump assembly (FIG. 9-1).



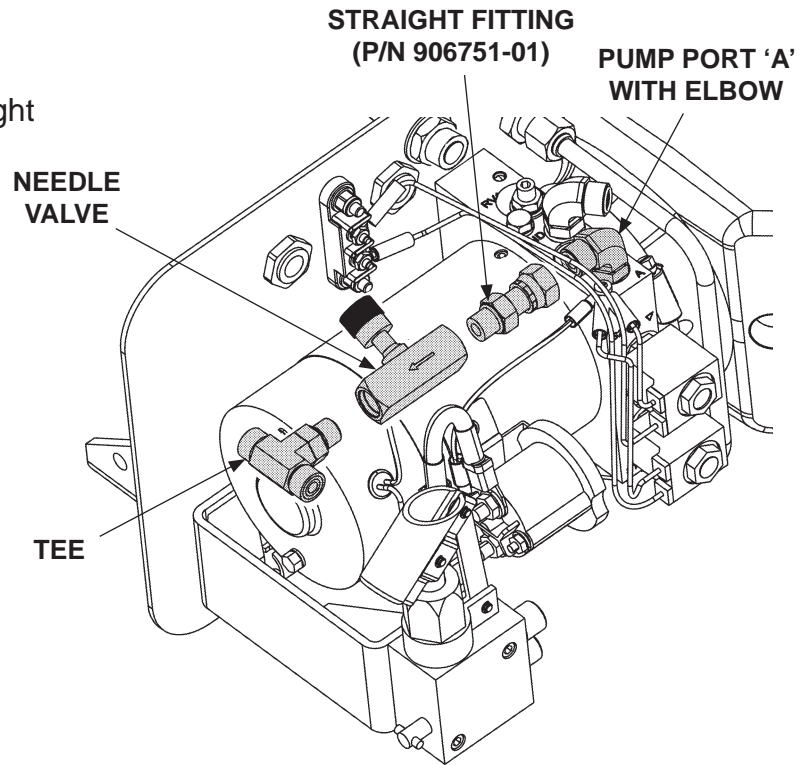
REMOVING HIGH PRESSURE LINE  
FIG. 9-1

12. Loosen the elbow on pump port 'A' (FIG. 9-2). Next, rotate elbow 180° on pump port 'A' (FIG 9-2A).



ROTATING ELBOW ON  
PUMP PLATE  
FIG. 9-2

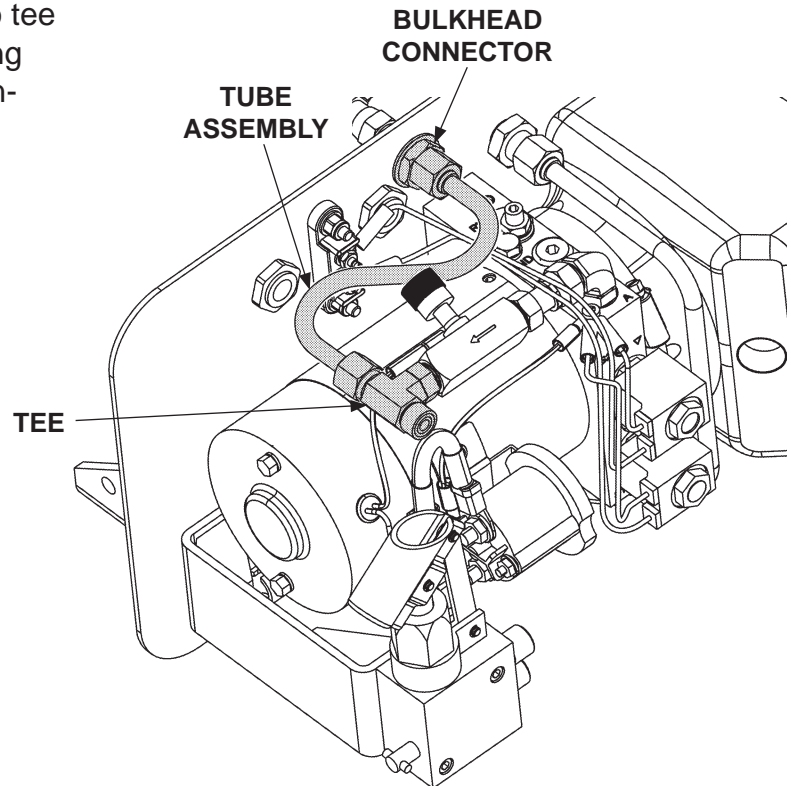
13. Connect straight fitting (Kit item) to elbow on pump port 'A' (**FIG. 10-1**). Then, connect needle valve to straight fitting as shown in **FIG. 10-1**.



**CONNECTING ELBOW,  
STRAIGHT FITTING & TEE  
FIG. 10-1**

14. Connect tee (Kit item) to needle valve (**FIG. 10-1**).

15. Connect tube assembly (Kit item) to tee and bulkhead connector on mounting plate (**FIG. 11-1**). Do not tighten connectors until later in this procedure.

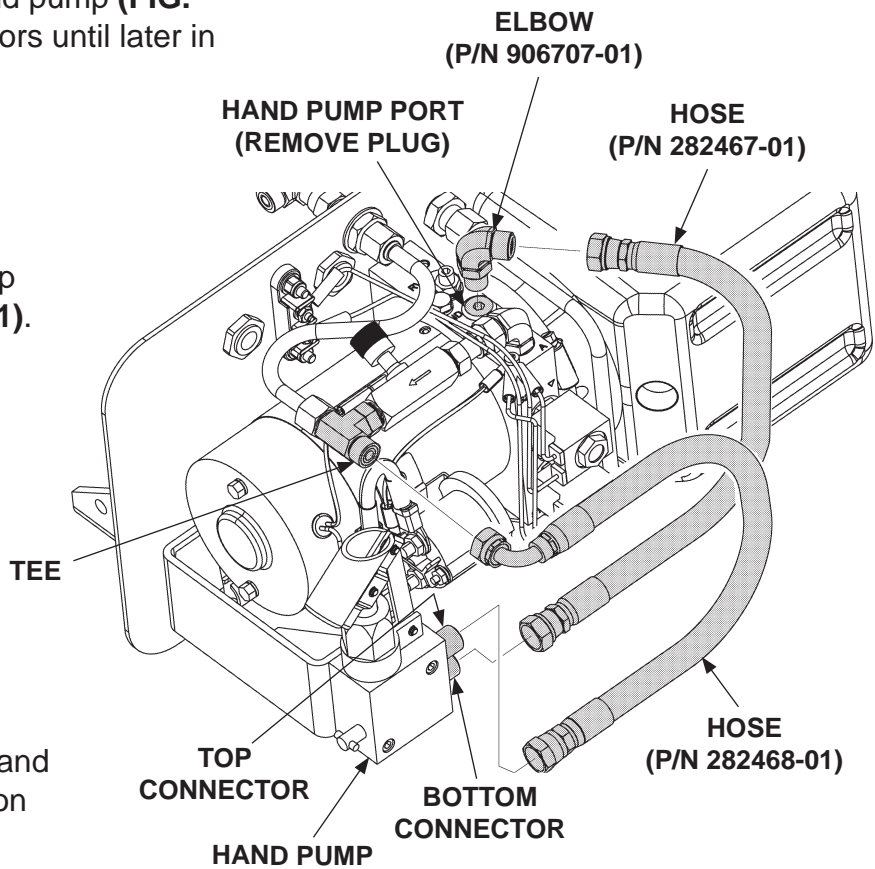


**CONNECTING TUBE ASSEMBLY  
FIG. 11-1**

16. Connect hose (Kit item, P/N 282468-01) to tee and top connector on hand pump (**FIG. 12-1**). Do not tighten connectors until later in this procedure.

17. Remove plug from hand pump port on pump block (**FIG. 12-1**).

18. Connect elbow (Kit item) to hand pump port (**FIG. 12-1**). Position elbow as shown.



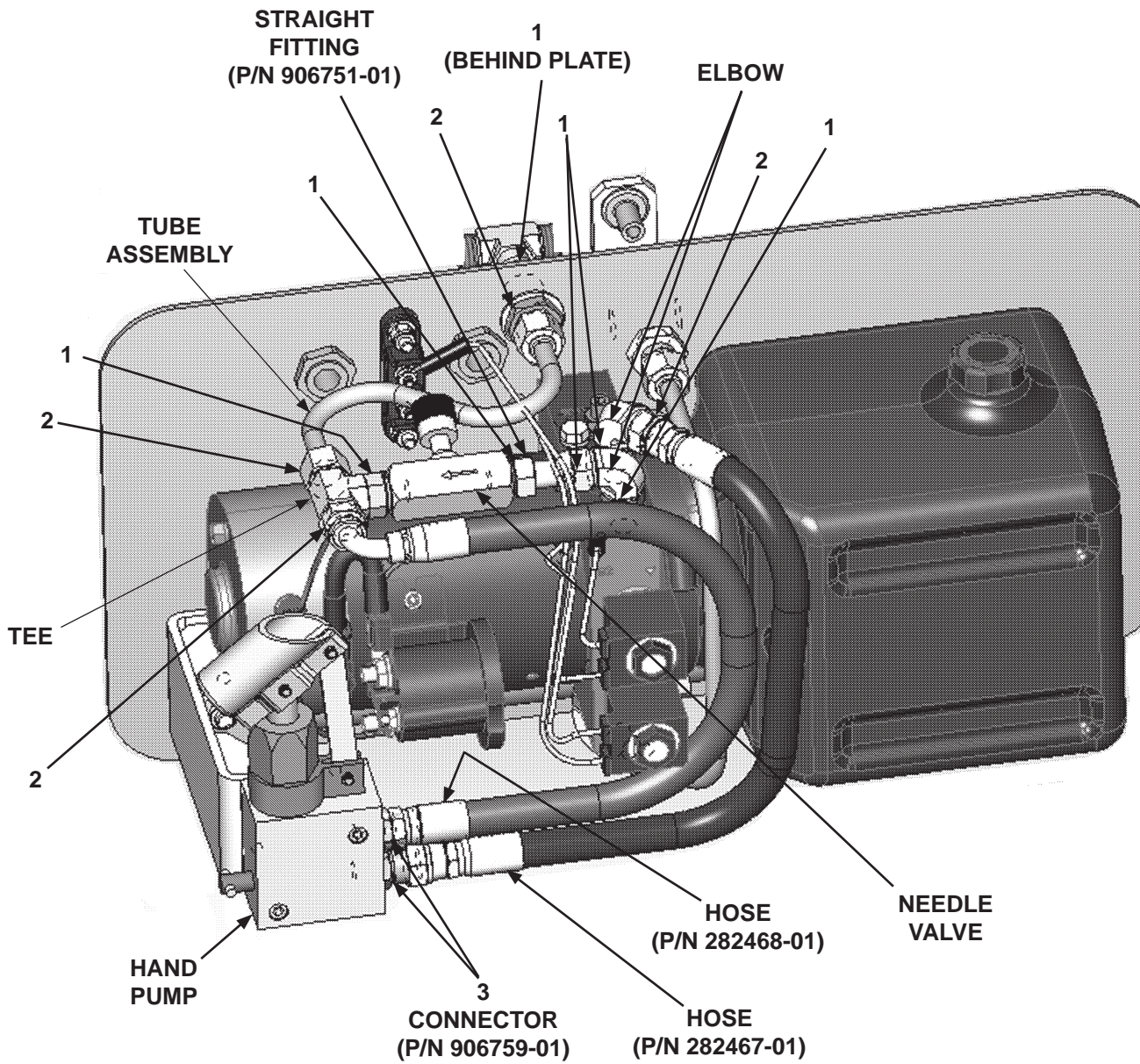
**CONNECTING ELBOW AND HOSES  
FIG. 12-1**

19. Connect hose (Kit item, P/N 282467-01) to elbow on pump block and bottom connector on hand pump (**FIG. 12-2**).

## CAUTION

Hydraulic lines and fittings must be torqued as shown in **FIG. 13-1** and **TABLE 13-1**.

20. Reposition elbows, hoses, and tube assembly as required (**FIG. 13-1**). Then, torque the fittings as shown in **FIG. 13-1** and **TABLE 13-1**.



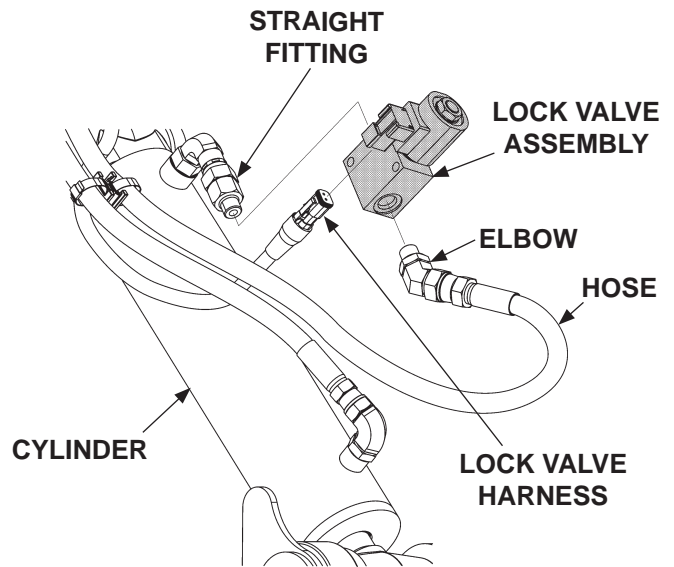
**TIGHTENING FITTINGS**  
**FIG. 13-1**

ITEM	DESCRIPTION	TORQUE VALUE
1	SAE#6 O-RING (MALE)	22-24 lb-ft.
2	SAE#6 FACE SEAL (FEMALE)	25-27.5 lb-ft.
3	SAE#4 O-RING (MALE)	13-15 lb-ft.

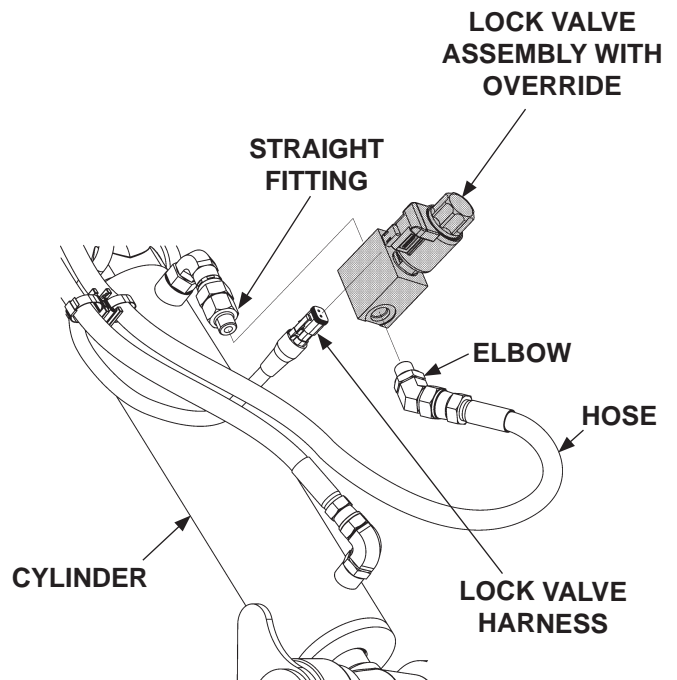
**TORQUE VALUES**  
**TABLE 13-1**



21. Remove the existing lock valve assembly from RH cylinder as shown in FIG. 14-1. Install lock valve assembly with override (Kit item) as shown in FIG. 14-2.



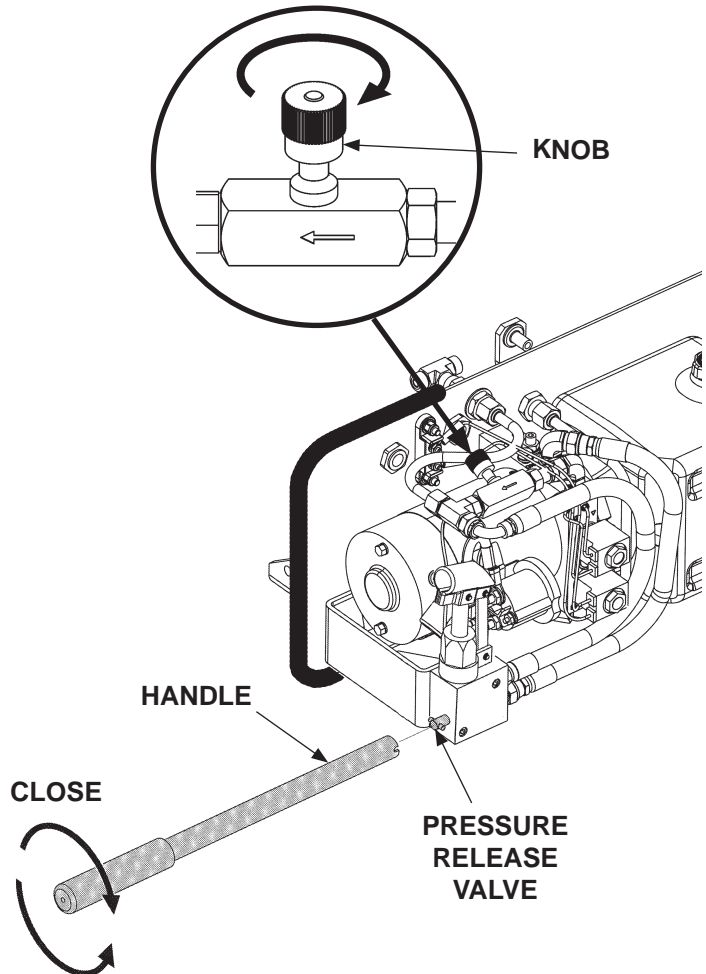
**REMOVING LOCK VALVE  
FIG. 14-1**



**INSTALLING LOCK VALVE  
FIG. 14-2**

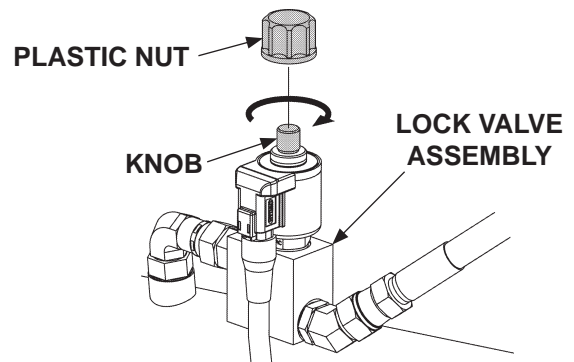
**NOTE:** Ensure pressure release valve is closed (turn clockwise) before attempting to raise platform.

22. Close needle valve by turning knob fully clockwise (**FIG. 15-1**). Then, close hand pump release valve, by turning valve clockwise with handle.



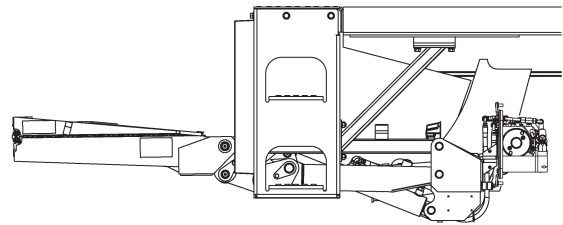
**CLOSING NEEDLE VALVE & HAND PUMP  
RELEASE VALVE  
FIG. 15-1**

23. Remove plastic nut from lock valve (FIG. 16-1). Then, ensure valve is closed to locked (reset) position by turning lock valve shaft fully clockwise (FIG. 16-1).



**ENSURING LOCK VALVE IS CLOSED  
FIG. 16-1**

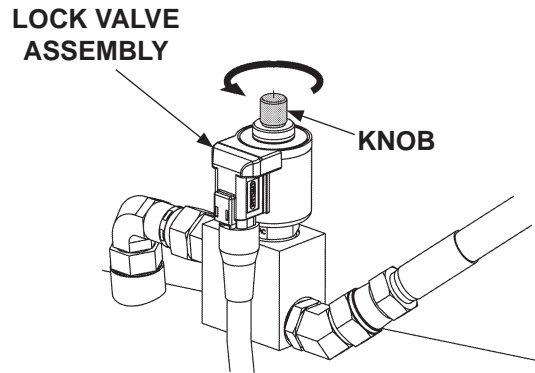
24. Lower and remove floor jack (FIG. 16-2).



**JACK REMOVED  
FIG. 16-2**

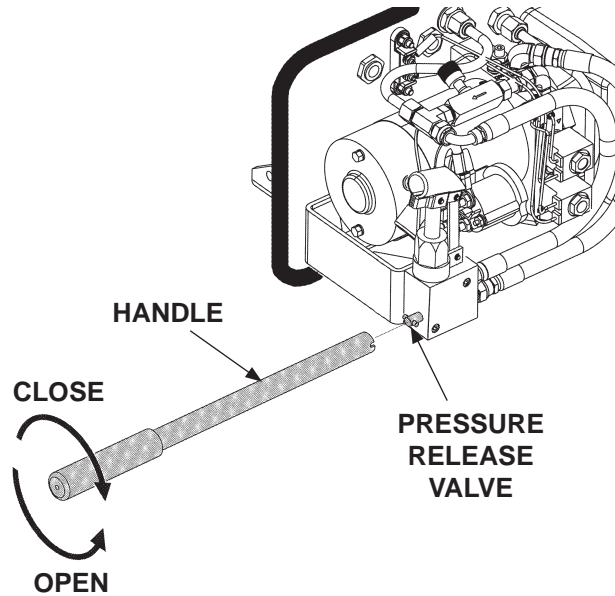


25. Override (open) lock valve by turning shaft fully counterclockwise (**FIG. 17-1**).

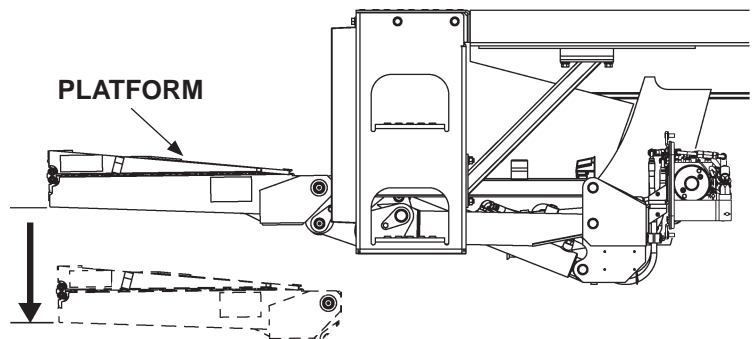


**OVERRIDING LOCK VALVE  
FIG. 17-1**

26. Lower platform 1/2 the distance to ground (**FIG. 17-3**) by turning hand pump release valve counterclockwise with handle (**FIG. 17-2**). Turn release valve fully clockwise to stop platform from lowering (**FIG. 17-2**).

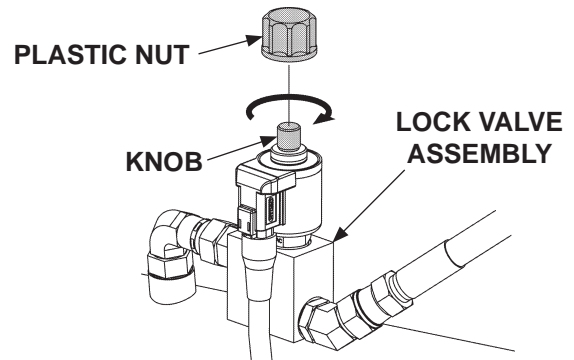


**OPENING/CLOSING RELEASE VALVE  
FIG. 17-2**



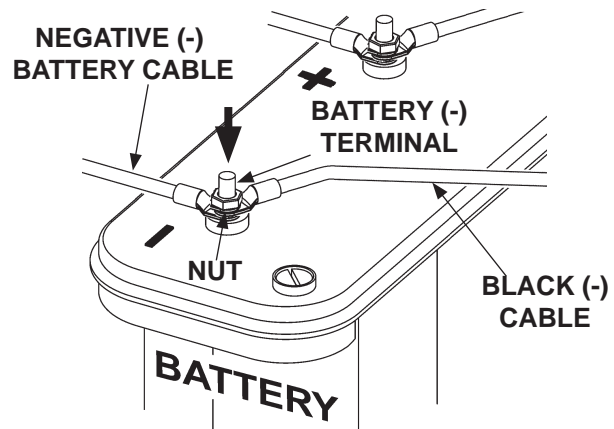
**LOWERING PLATFORM WITH HAND PUMP  
FIG. 17-3**

27. Reset (close) lock valve by turning shaft fully clockwise, (FIG. 18-1) so that it locks. Reinstall plastic nut on lock valve.



**RESETTING LOCK VALVE  
FIG. 18-1**

28. Reconnect the negative (-) battery cable to the negative (-) battery terminal (FIG. 18-2). Tighten nut.

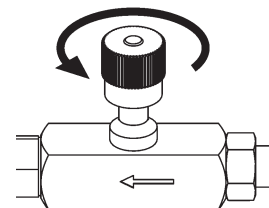


**RECONNECTING POWER  
FIG. 18-2**

### **CAUTION**

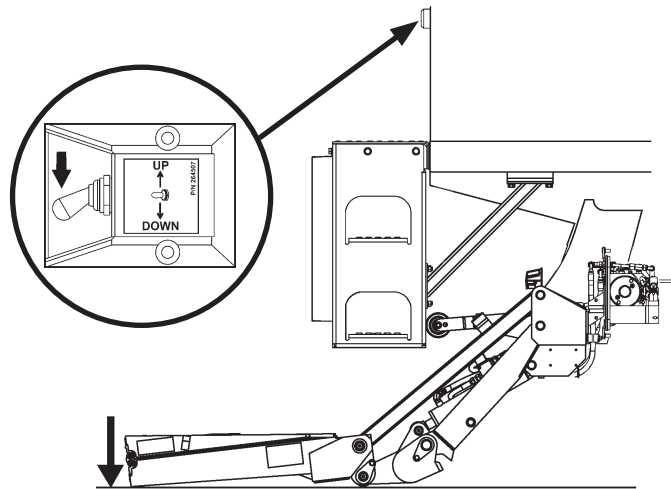
The hand pump is only intended for stowing the platform if the power unit does not work. Do not use for repeated loading and unloading of vehicle.

29. Open the needle valve by turning knob fully counterclockwise (FIG. 18-3).



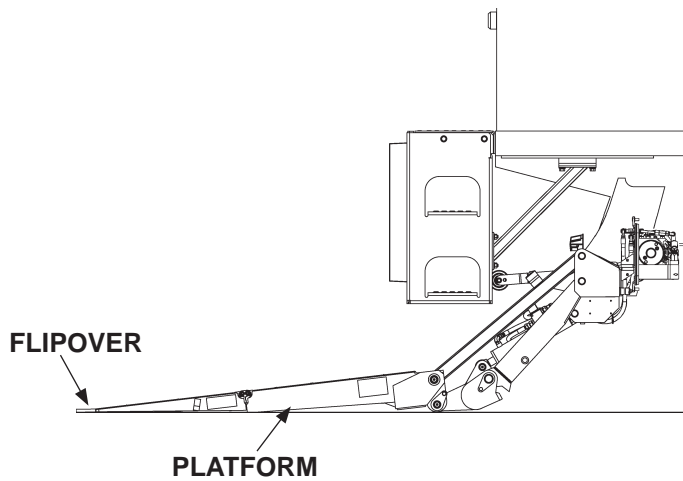
**OPENING NEEDLE VALVE  
FIG. 18-3**

30. Use the control switch to **LOWER** platform to the ground (**FIG. 19-1**).



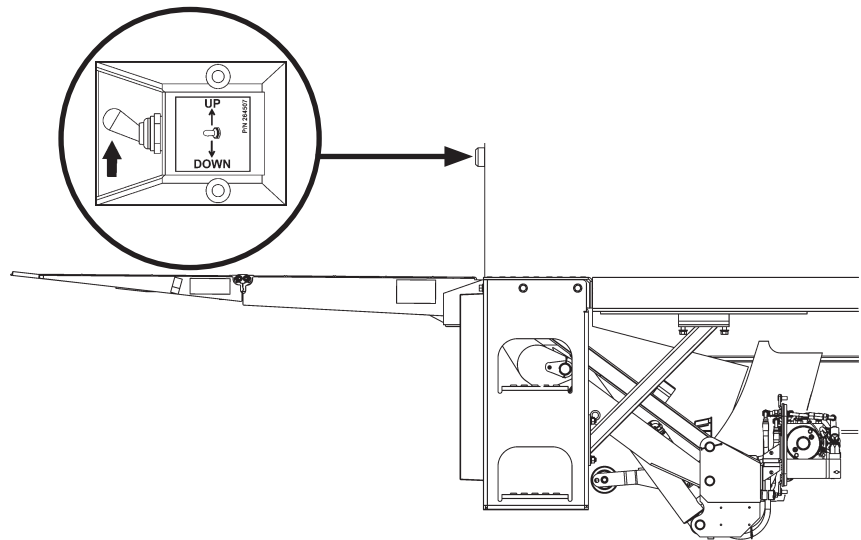
**LOWERING PLATFORM TO GROUND  
WITH CONTROL SWITCH  
FIG. 19-1**

31. Unfold platform and flipover (**FIG. 19-2**).



**UNFOLDING PLATFORM & FLIPOVER  
FIG. 19-2**

32. Use the control switch to **RAISE** platform to bed height (**FIG. 20-1**).

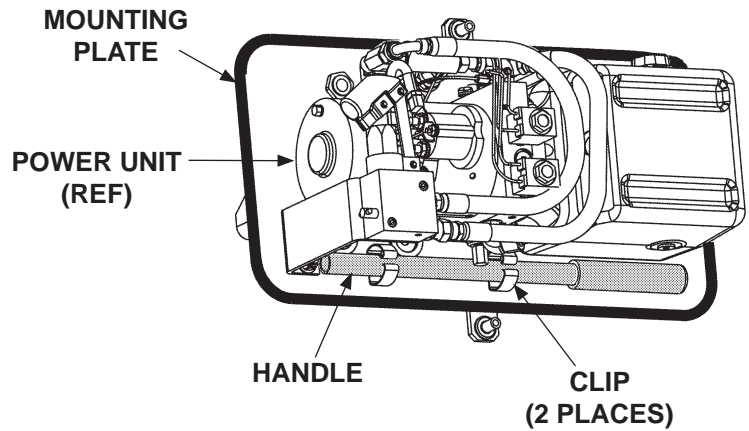


---

**RAISING PLATFORM TO BED HEIGHT  
WITH CONTROL SWITCH  
FIG. 21-1**

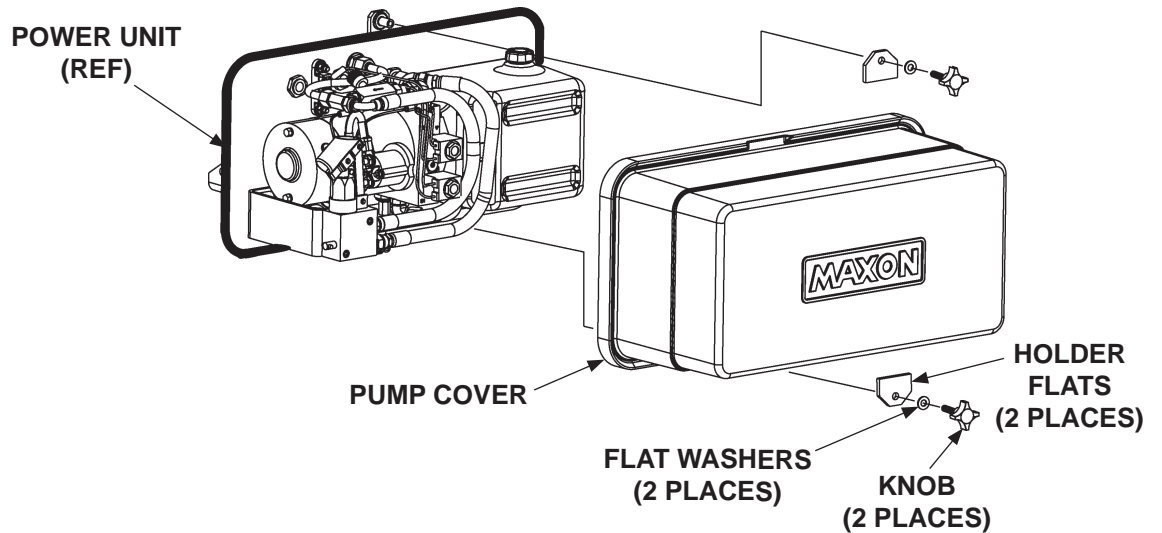
33. Repeat step 30 and step 32 until all air has been bled from the system.
34. Refer to the **GPT Maintenance Manual** for instructions on checking hydraulic fluid.

35. Stow hand pump handle in the spring clips on pump mounting plate (FIG. 21-1).



**STOWING PUMP HANDLE  
FIG. 21-1**

36. Reinstall and fasten pump cover (FIG. 21-2). Hand-tighten knobs.



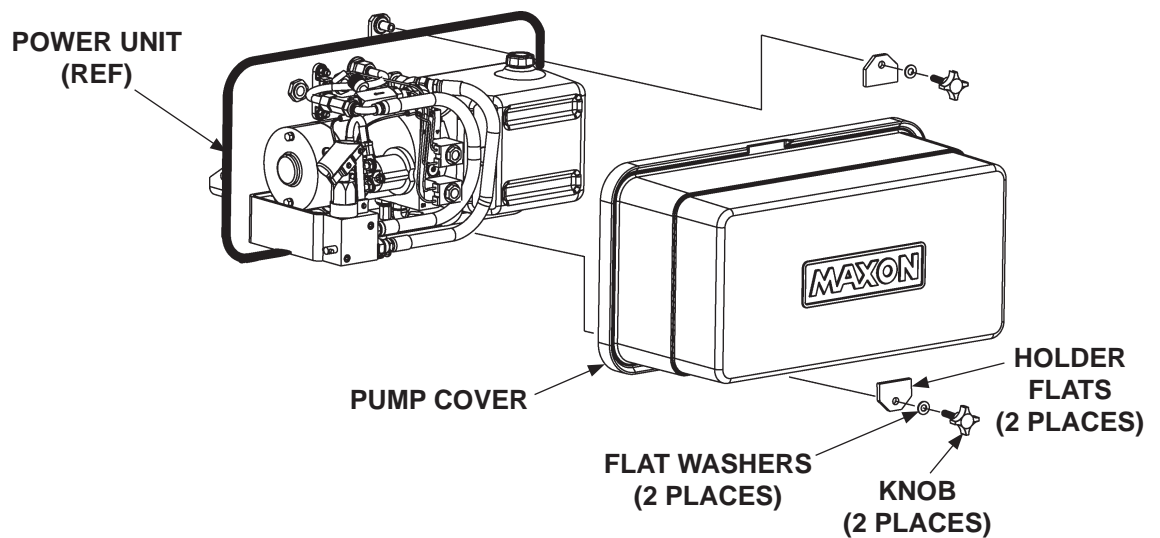
**REINSTALLING PUMP COVER  
FIG. 21-2**

## GPT HAND PUMP OPERATION INSTRUCTIONS

### CAUTION

The hand pump is only intended for stowing the platform if the power unit does not work. Do not use for repeated loading and unloading of vehicle.

1. Unfasten and remove pump cover (FIG. 22-1).

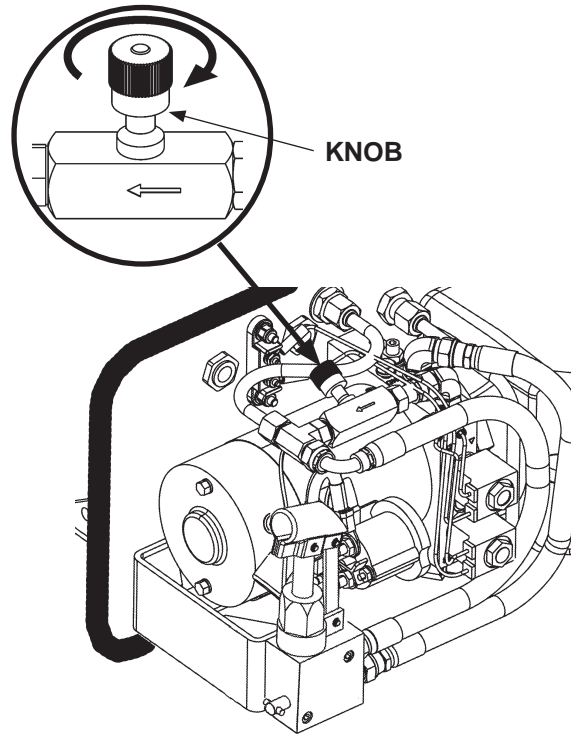


**REINSTALLING PUMP COVER**  
**FIG. 22-1**

## CAUTION

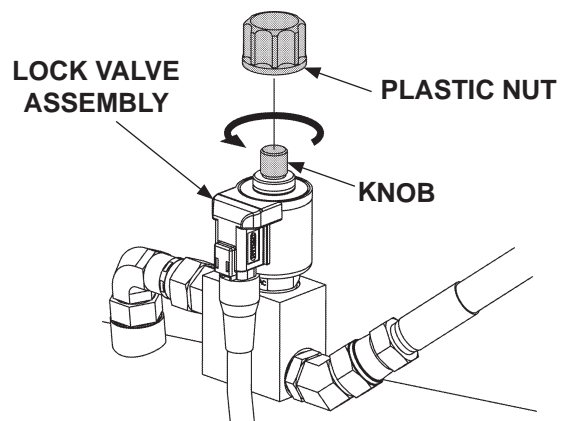
The manual override option is intended for emergency use only. Do not use for continuous operation.

2. To use hand pump for backup operation, close the needle valve by turning knob fully clockwise (**FIG. 23-1**).



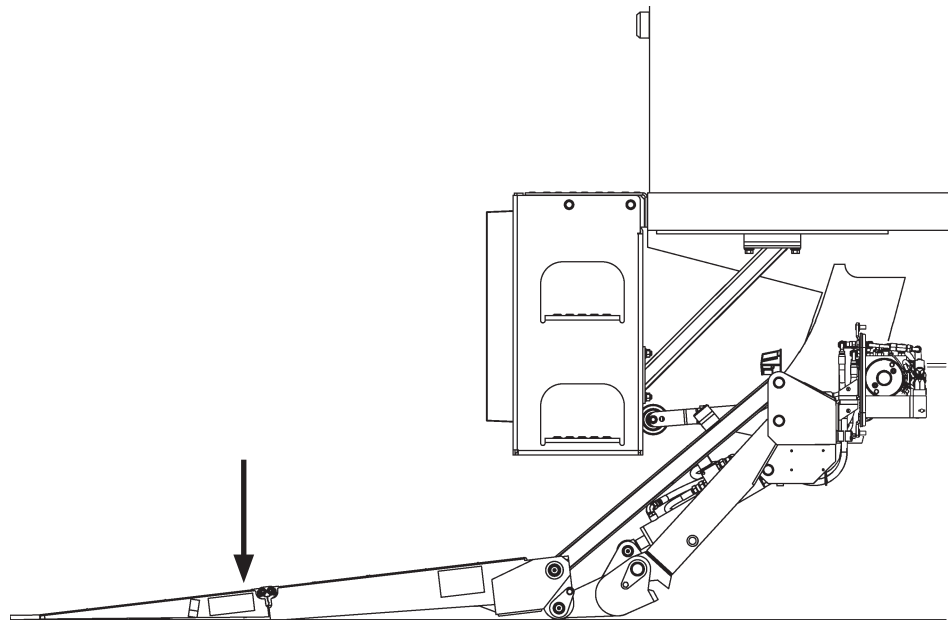
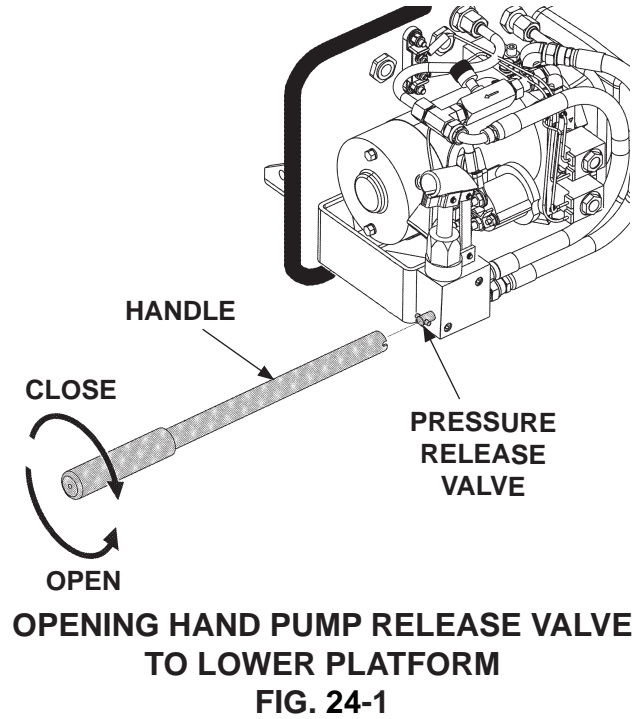
**CLOSING NEEDLE VALVE**  
**FIG. 23-1**

3. Remove plastic nut on lock valve (**FIG. 23-2**). Override (open) lock valve by turning shaft fully counter-clockwise (**FIG. 23-2**).



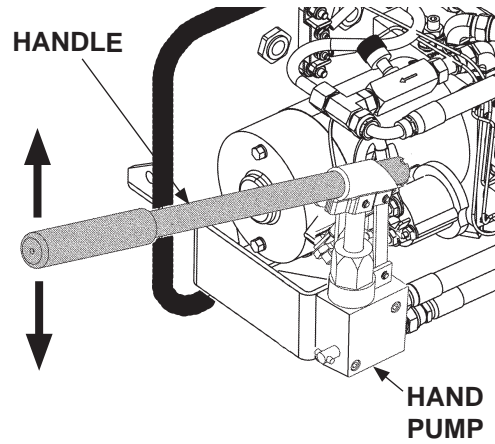
**REMOVING NUT & OVERRIDING LOCK VALVE**  
**FIG. 23-2**

4. Lower the platform by opening the hand pump release valve 1/2 turn counterclockwise with the handle (FIGS. 24-1 & 24-2). To stop platform from lowering (FIG. 24-2), close the release valve (FIG. 24-1) by turning clockwise.

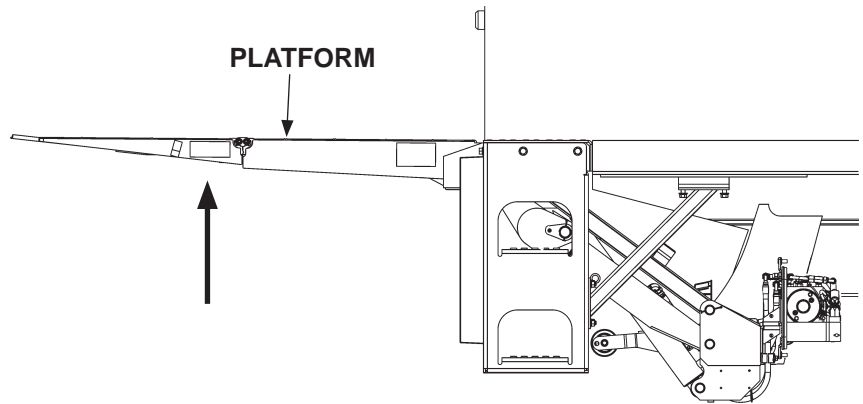




5. Use the handle with hand pump to raise the platform (FIGS. 25-1 & 25-2).

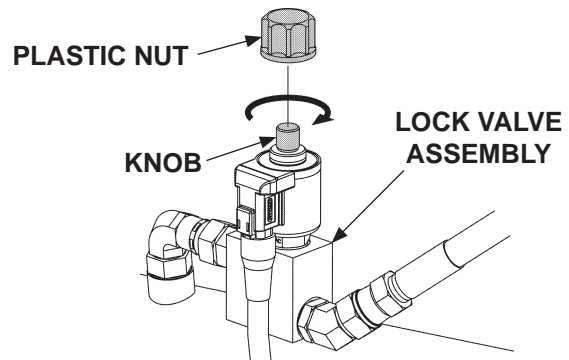


**RAISING PLATFORM WITH HAND PUMP**  
**FIG. 25-1**



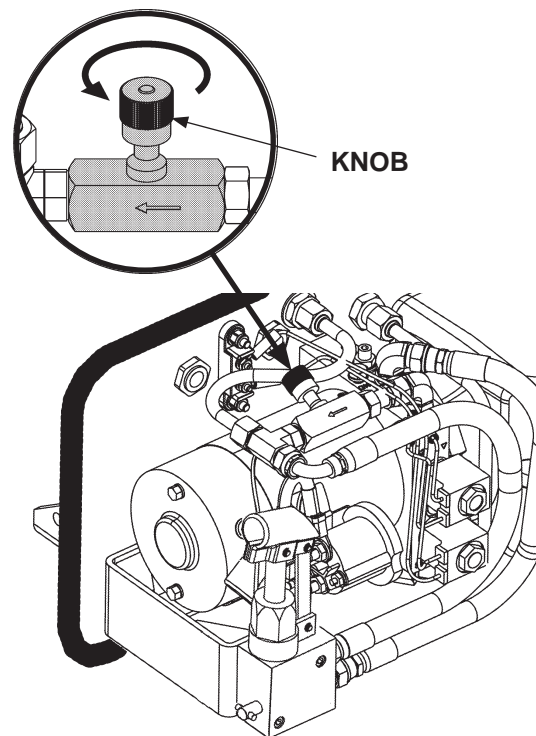
**RAISING PLATFORM**  
**FIG. 25-2**

6. Reset (close) lock valve by turning shaft fully clockwise, **(FIG. 26-1)** so that it locks. Reinstall plastic nut.



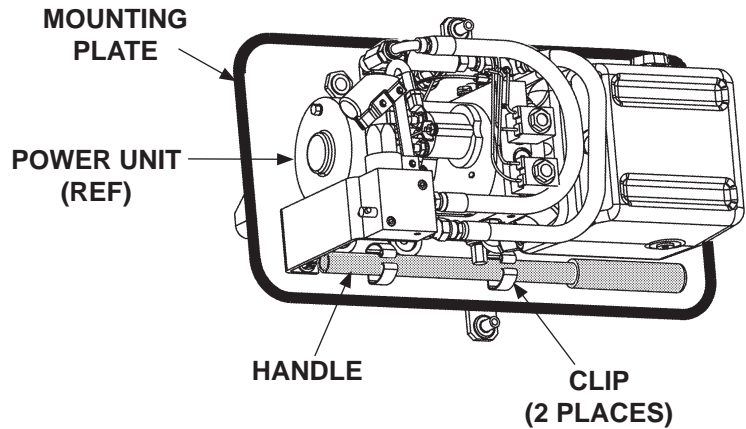
**RESETTING LOCK VALVE  
FIG. 26-1**

7. For normal Liftgate operation with power unit, open the needle valve by turning knob fully counterclockwise **(FIG. 26-2)**.



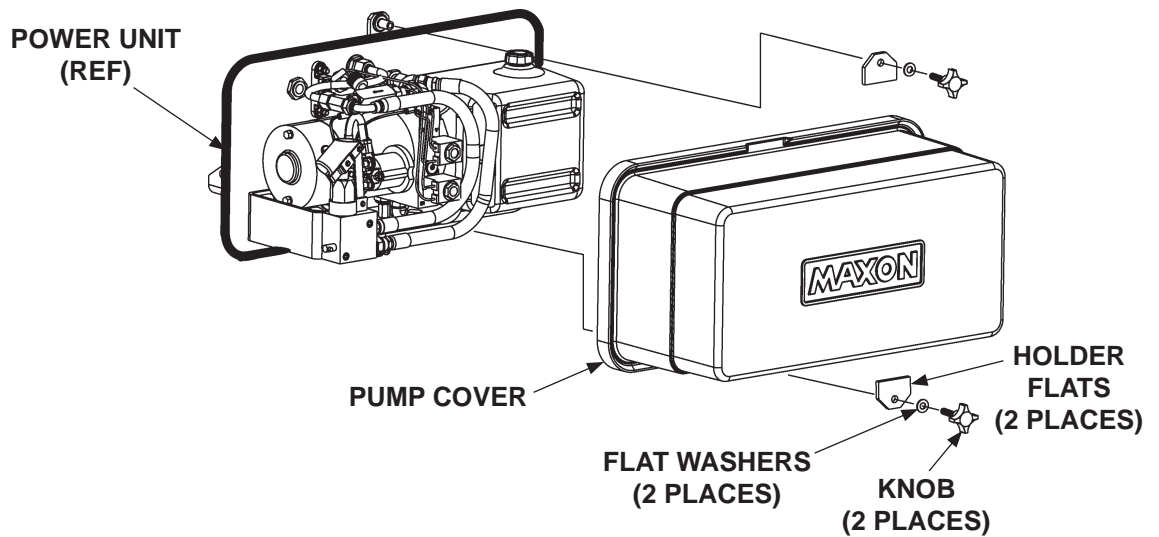
**OPENING NEEDLE VALVE FOR  
NORMAL OPERATION  
FIG. 26-2**

8. Stow hand pump handle in the spring clips on pump mounting plate (FIG. 27-1).



**STOWING PUMP HANDLE  
FIG. 27-1**

9. Reinstall and fasten pump cover (FIG. 27-2). Hand-tighten knobs.



**REINSTALLING PUMP COVER  
FIG. 27-2**