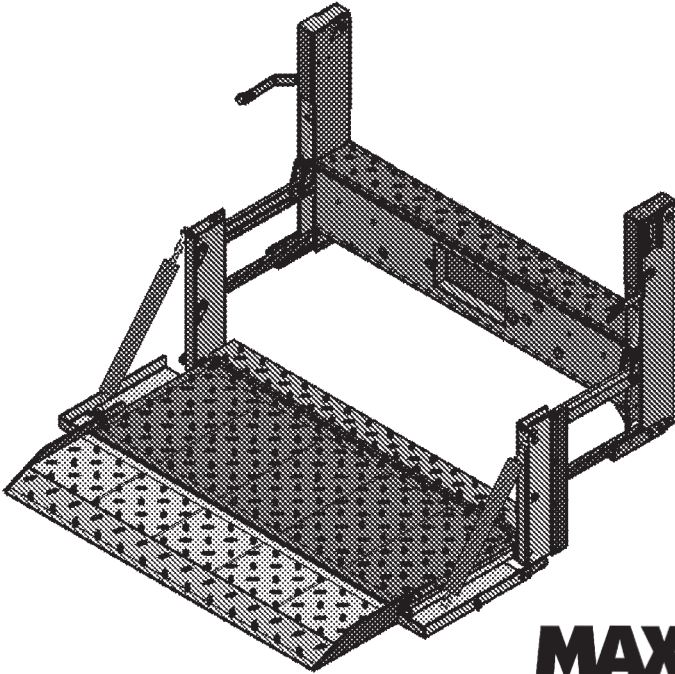


OPERATION MANUAL

Me2-Series

- C2 1300 LB CAPACITY
- C2 1500 LB CAPACITY
- C2 1600 LB CAPACITY



MAXON[®]
LIFT CORP.

To find **maintenance & parts** information for your **Me2 Liftgate**, go to www.maxonlift.com. Click the **PRODUCTS**, **Me2** & **C2** buttons. Open the **Maintenance Manual** in the **PRODUCT DOCUMENTATION** window.

© MAXON Lift Corp. 2015

KEEP THIS MANUAL IN CAB OF VEHICLE

Register your liftgate online at www.maxonlift.com/htm/services/reg.htm.
For a free copy of other manuals that pertain to these liftgate models, please visit our website at www.maxonlift.com or contact **customer service** at (800) 227-4116.

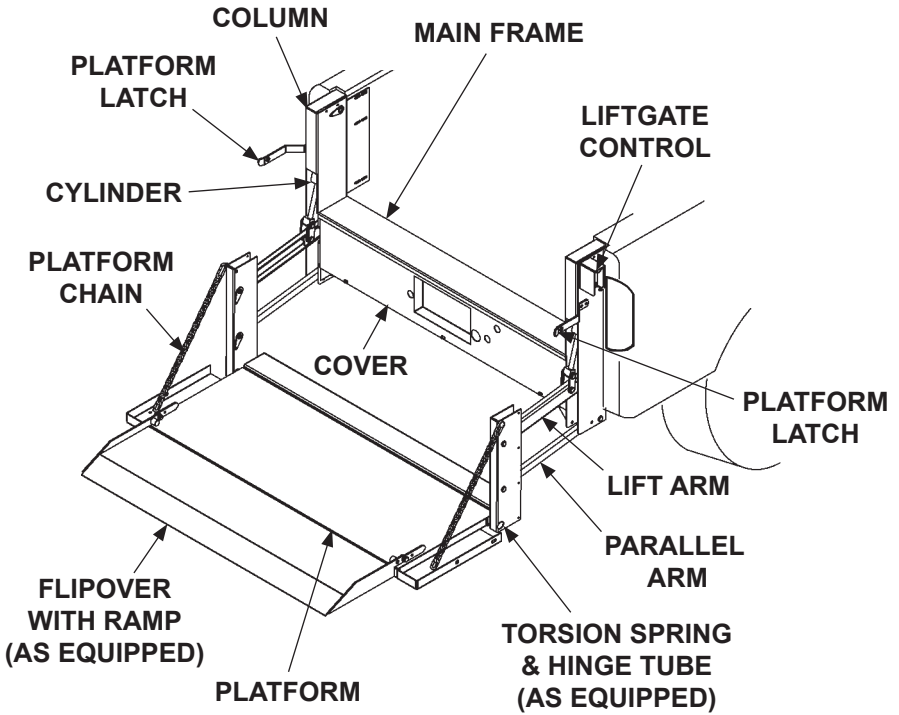
TABLE OF CONTENTS

WARNINGS	4
LIFTGATE TERMINOLOGY	5
DECALS	6
FORKLIFT ADVISORY	8
OPERATING INSTRUCTIONS	9
ACTIVATING LIFTGATE.....	9
UNFOLDING THE PLATFORM.....	10
POSITIONING LOAD	13
RAISING & UNLOADING PLATFORM.....	14
UNLOADING VEHICLE.....	15
POSITIONING LOAD	15
LOWERING & UNLOADING PLATFORM.....	16
STOWING PLATFORM	17
TURNING OFF POWER	20

WARNING

1. Incorrect operation of this Liftgate can result in serious personal injury. Comply with **WARNINGS** and Liftgate operating instructions in this manual. Do not allow untrained persons to operate the Liftgate. If you need to replace an **Operation Manual**, additional copies are available from:
MAXON Lift Corp. Customer Service
11921 Slauson Ave
Santa Fe Springs, CA 90670
(800) 227-4116
2. Do not exceed rated **load capacity** of the **C2** Liftgates which is **1300 lbs, 1500 lbs and 1,600 lbs.**
3. Do not allow any part of your body to be placed under, within, or around any portion of the moving Liftgate or its mechanisms, or in a position that would trap them between the platform and the floor of truck body (or between platform and the ground) when Liftgate is operated.
4. Consider the safety and location of bystanders and location of nearby objects when operating the Liftgate. Stand to one side of platform while operating the Liftgate. Be certain that the area the Liftgate will move through during operation is clear of all obstacles.
5. Comply with all attached instruction decals and warning decals.
6. Keep decals clean and legible. If decals are illegible or missing, have them replaced. **Get free replacement decals from Maxon.**
7. **Never drive a forklift on the Liftgate platform.**
8. Do not move vehicle unless Liftgate is correctly stowed.
9. **Correctly stow platform when not in use. Extended platforms could create a hazard for people and vehicles passing by.**
10. A correctly installed Liftgate will operate smoothly and reasonably quiet. The only noticeable noise, during Liftgate operation, is from the power unit while the platform is being raised. Listen for scraping, grating and binding noises and have the problem corrected before continuing to operate the Liftgate.
11. Above all, **USE GOOD COMMON SENSE** when operating this Liftgate.
12. Never use a cell phone while operating the Liftgate.

LIFTGATE TERMINOLOGY



**C2 PICKUP LIFTGATE SHOWN
FIG. 5-1**

DECALS

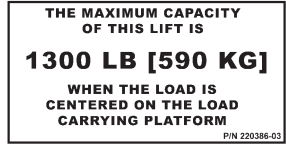
NOTE: Ensure there is no residue, dirt, or corrosion where decals are attached. If necessary, clean surface before attaching decals.



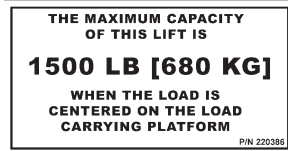
OIL CAUTION DECAL
P/N 295317



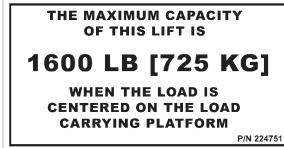
DECAL P/N 295597



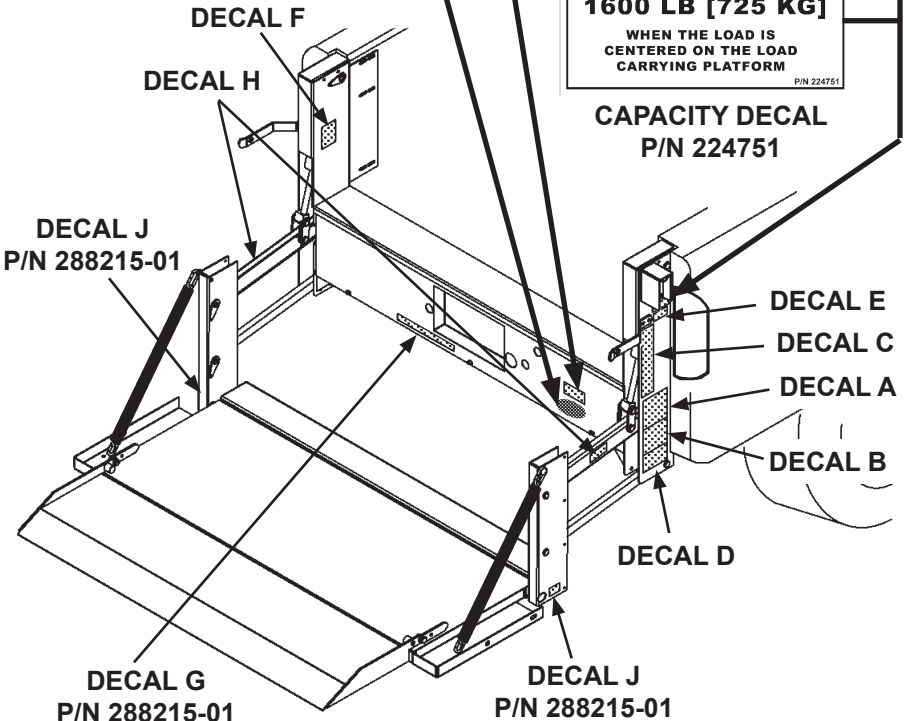
CAPACITY DECAL
P/N 220386-03



CAPACITY DECAL
P/N 220386



CAPACITY DECAL
P/N 224751



C2 PICKUP LIFTGATE SHOWN
FIG. 6-1

SAFETY INSTRUCTIONS

- Read all decals and operation manual before operating liftgate.
1. Do not use liftgate unless you have been properly instructed and have read, and are familiar with, the operating instructions.
 2. Be certain vehicle is properly and securely braked before using the liftgate.
 3. Always inspect this liftgate for maintenance or damage before using it. Do not use liftgate if it shows any sign of damage or improper maintenance.
 4. Do not overload.
 5. Make certain the area in which the platform will open and close is clear before opening or closing the platform.
 6. Make certain platform area, including the area in which loads may fall from platform, is clear before and at all times during operation of liftgate.
 7. This liftgate is intended for loading and unloading of cargo only. Do not use this liftgate for anything but its intended use.

A

WARNING

Read this information carefully.

- Improper operation of this liftgate can result in serious personal injury. If you do not have a copy of the operating instructions, please obtain them from your employer, distributor, or lessor before you attempt to operate liftgate.
- If there are signs of improper maintenance, damage to vital parts, or slippery platform surface, do not use the Liftgate until these problems have been corrected.
- If you are using a pallet jack, be sure it can be maneuvered safely.
- Do not operate a forklift on the platform.
- Do not allow any part of yours or your freight's body to be placed under, within, or around any portion of the moving liftgate, or its mechanisms, or in a position that would trap them between the platform and the ground or truck when the liftgate is operated.
- Do not ride on the platform or allow others to ride on the platform.
- USE GOOD COMMON SENSE.
- If load appears to be unsafe, do not lift or lower it.

For a free copy of other manuals that pertain to this model Liftgate, please visit our website at www.maxonlift.com or call Customer Service at (800) 227-4116.

B

WARNING



- Liftgate hazards can result in crushing, pinching or falling.
- Keep hands & feet clear of pinch points.
- Do not ride on the platform.

Read and understand all instructions & WARNINGS before use.

D

CAUTION

Always stand clear of platform area.

E

WARNING



- Liftgate is not for lifting people or people riding in wheelchairs. Do not ride platform or allow others to ride platform.
- Do not allow children or untrained adults to operate Liftgate.
- When Liftgate is not being used or is not attended, fold and latch platform to stow. Turn off Liftgate control.

F

WARNING

Spring is under high tension.

J



WARNING



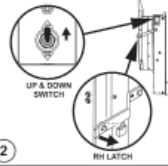
Keep hands & feet clear of platform & flipover when folding & unfolding platform. (See Operation Manual.)

H

OPERATING INSTRUCTIONS

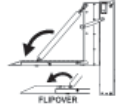
1. TURN ON POWER & ACTIVATE LIFTGATE. (SEE OPERATION MANUAL.)

SWITCH UP 1 SECOND & RELEASE. REMOVE PADLOCK. OPEN LH & RH LATCHES.



2

UNFOLD PLATFORM. IF EQUIPPED, UNFOLD FLIPOVER.



3

RAISE OR LOWER PLATFORM.



4

TO STOW, RAISE PLATFORM (STEP 4). REVERSE STEP 3 TO FOLD FLIPOVER & PLATFORM.



5

TURN OFF POWER. (SEE OPERATION MANUAL.)

6

C

WARNING



To prevent injury, do the following before removing cover.

1. Lower platform to the ground, or stow & latch platform.
2. Disconnect positive (+) battery cable from battery.

G

WARNINGS, CAUTIONS & INSTRUCTIONS DECAL SHEET

P/N 288215-01
FIG. 7-1

FORKLIFT ADVISORY

⚠ WARNING
Keep forklift OFF of platform.

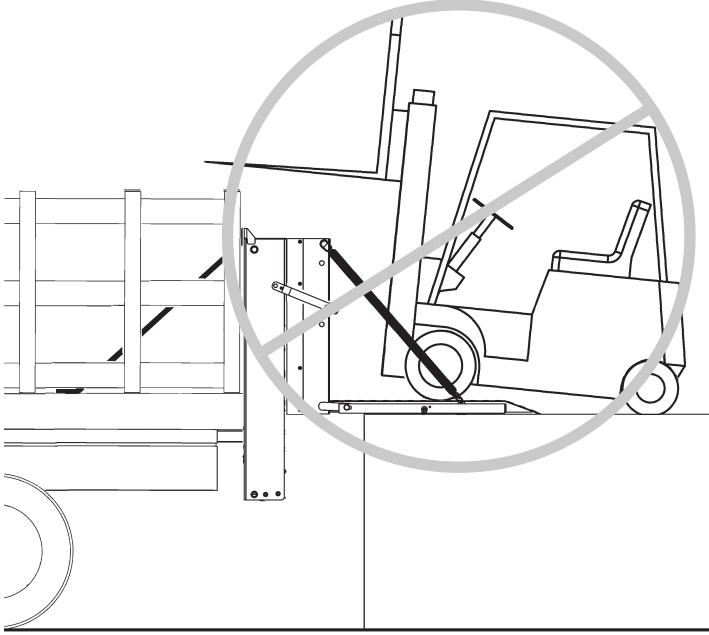


FIG. 8-1

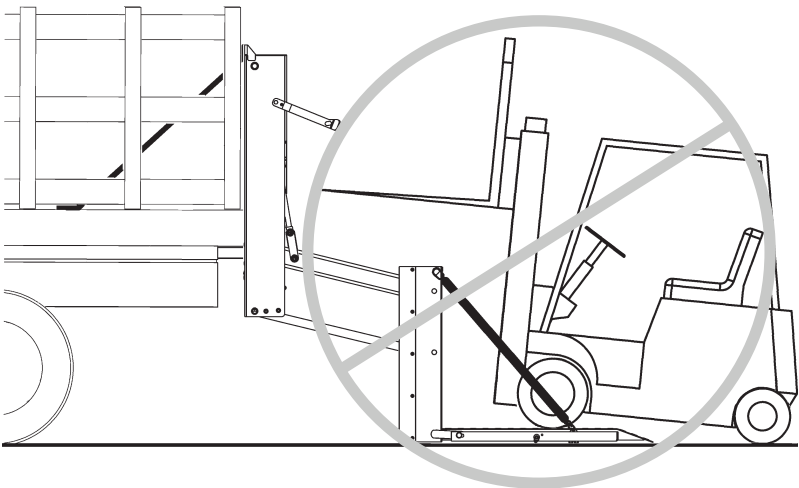
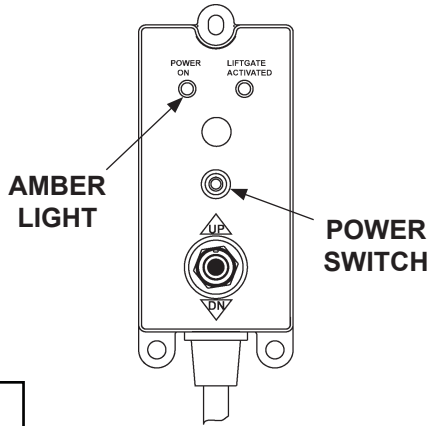


FIG. 8-2

OPERATING INSTRUCTIONS

ACTIVATING LIFTGATE

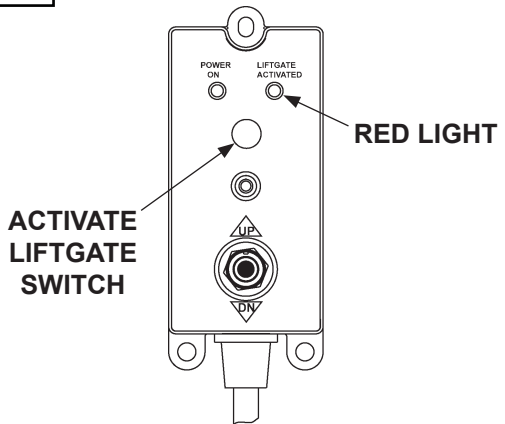
1. Apply power to Liftgate by pushing power switch on the Liftgate control (**FIG. 9-1**). Amber **POWER ON** light is turned on when power is applied.



POWER ON SWITCH & INDICATOR LIGHT
FIG. 9-1

NOTE: Liftgate control allows a 90 second window of time to operate Liftgate after pushing the Liftgate activated switch 2 times. Each time the toggle switch is positioned to **UP** or **DN** position, the operating time is extend by 90 seconds. After 90 seconds without activity, the control will become deactivated.

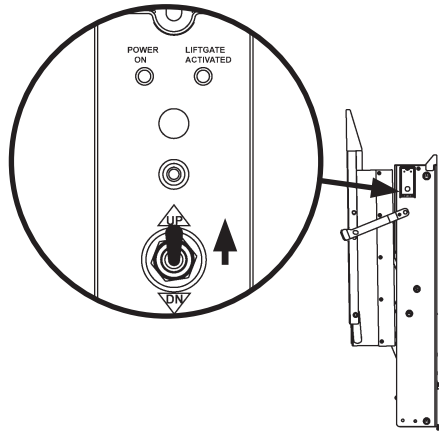
2. Activate the Liftgate by pushing **ACTIVATED** switch 2 times in one second (**FIG. 9-2**). Red **ACTIVATED** light is turned on when Liftgate is activated.



ACTIVATE LIFTGATE SWITCH & INDICATOR LIGHT
FIG. 9-2

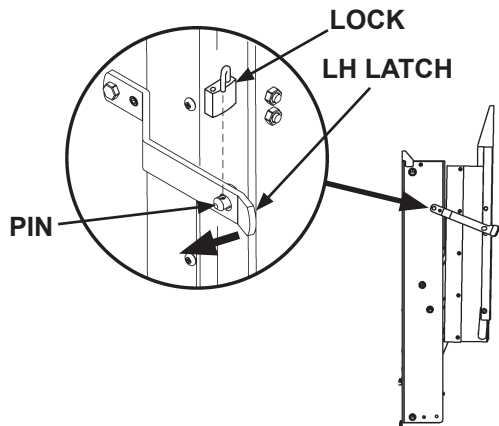
UNFOLDING THE PLATFORM

1. To pressurize the hydraulic system, hold the control switch **UP** for 1 second and release (**FIG. 10-1**).



CONTROL SWITCH UP
FIG. 10-1

2. If necessary, remove lock from LH platform latch (**FIG. 10-2**). Release LH latch by pulling to the side until free of pin (**FIG. 10-2**). Then, rotate latch down.

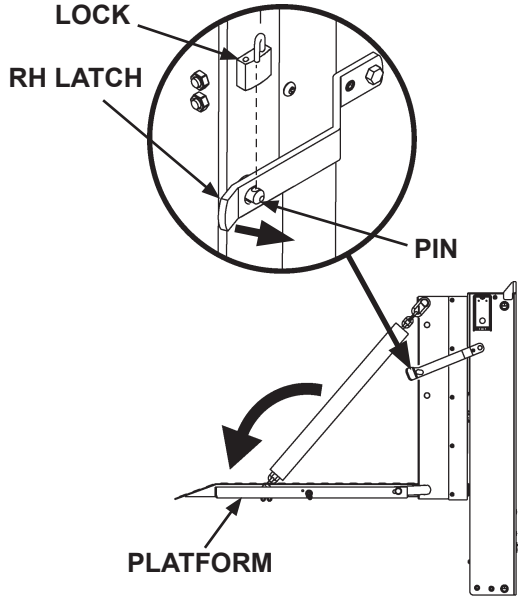


UNLATCHING PLATFORM
FROM LH COLUMN
FIG. 10-2

! WARNING

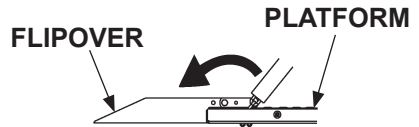
Never operate control switch or stand in the path of platform while unfolding the platform.

3. If necessary, remove lock from RH platform latch (FIG. 11-1). Standing to side of the RH column, hold top of platform with one hand. Use other hand to push RH platform latch to the side until free of platform pin (FIG. 11-1). Then, unfold platform (FIG. 11-1).



**UNLATCHING & UNFOLDING
PLATFORM (RH SIDE VIEW)
FIG. 11-1**

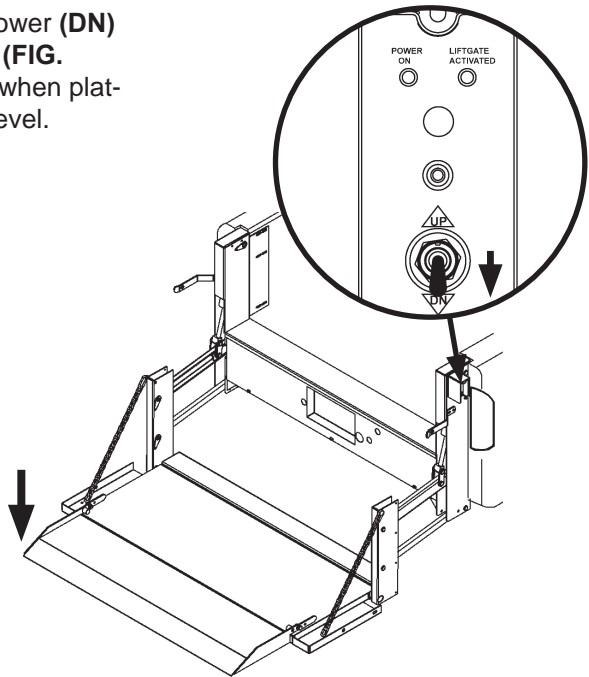
4. If platform is equipped with flipover, unfold flipover (FIG. 11-2).



**UNFOLDING FLIPOVER
FIG. 11-2**

UNFOLDING THE PLATFORM - Continued

5. Use control switch to lower (**DN**) platform to the ground (**FIG. 12-1**). Release switch when platform reaches ground level.



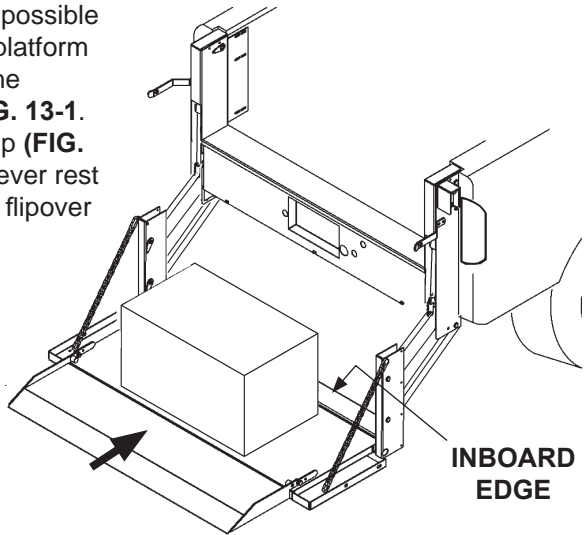
**LOWERING PLATFORM TO
THE GROUND
FIG. 12-1**

LOADING VEHICLE POSITIONING LOAD

⚠ WARNING

A load should never extend past the edges of the platform. Do not place unstable loads on platform, do not allow load to exceed lifting capacity of Liftgate, and do not ride on the platform.

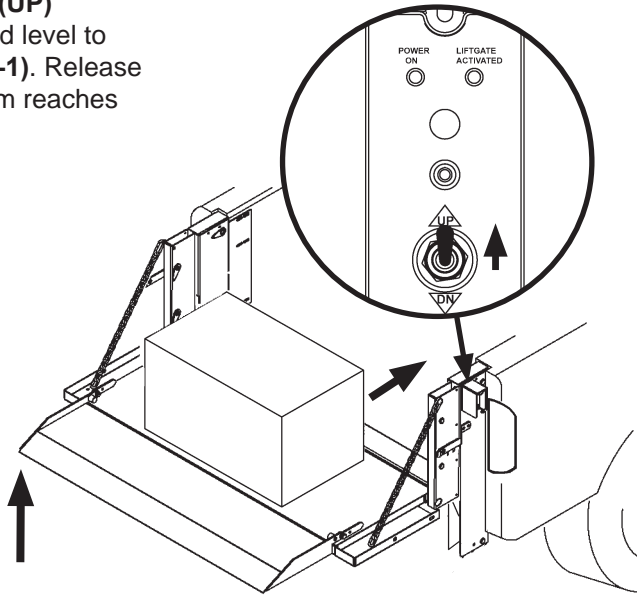
Place all loads as close as possible to the inboard edge of the platform with heaviest part toward the pickup bed as shown in **FIG. 13-1**. Move loads across the ramp (**FIG. 13-1**) to the platform, but never rest or raise loads solely on the flipover and ramp portion.



**LOADING PLATFORM AT GROUND LEVEL
FIG. 13-1**

RAISING & UNLOADING PLATFORM

1. Use switch to raise (**UP**) platform from ground level to bed height (**FIG. 14-1**). Release switch when platform reaches bed height.



**RAISING LOADED PLATFORM
TO BED HEIGHT
FIG. 14-1**

2. Carefully move the load into vehicle (**FIG. 14-1**).

UNLOADING VEHICLE POSITIONING LOAD

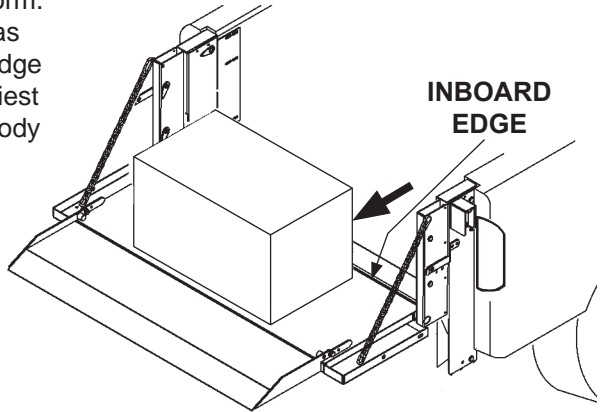
WARNING

A load should never extend past the edges of the platform. Do not place unstable loads on platform, do not allow load to exceed lifting capacity of Liftgate, and do not ride on the platform.

WARNING

Pulling the load from vehicle to platform can result in a fall from platform and serious injury. When unloading vehicle, always push the load out on the platform.

Unload the vehicle at bed level (**FIG. 15-1**) as follows. Push load out of the vehicle to correct position on the platform. Place all loads as close as possible to the inboard edge of the platform with heaviest part toward the vehicle body as shown in **FIG. 15-1**.



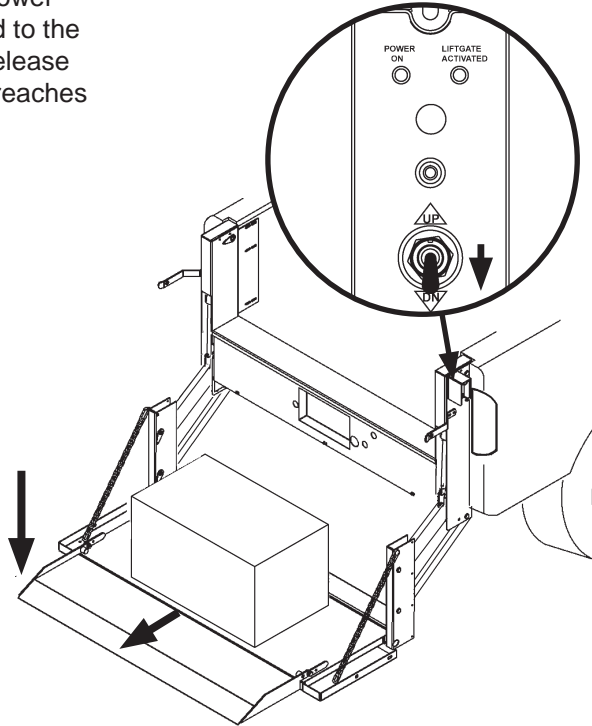
MOVING LOAD ON PLATFORM
FIG. 15-1

LOWERING & UNLOADING PLATFORM

WARNING

Before lowering platform, make sure area surrounding platform is clear of people and objects.

1. Use control switch to lower **(DN)** platform and load to the ground (**FIG. 16-1**). Release switch when platform reaches ground level.



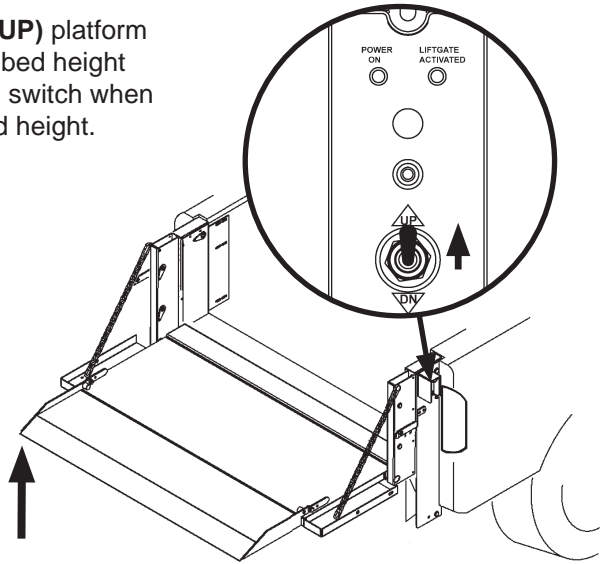
**UNLOADING PLATFORM AT
GROUND LEVEL**

FIG. 16-1

2. Carefully move load off platform (**FIG. 16-1**) and then move it to a place where it will not become a hazard for people and other vehicles. If there is more to unload from vehicle, repeat the previous **UNLOADING VEHICLE** steps for each load. When unloading is finished, use **STOWING PLATFORM** procedure in this manual.

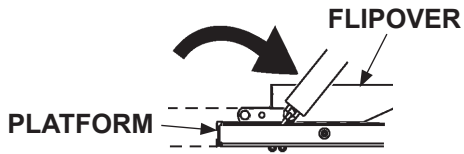
STOWING PLATFORM

1. Use switch to raise (**UP**) platform from ground level to bed height (**FIG. 17-1**). Release switch when platform reaches bed height.



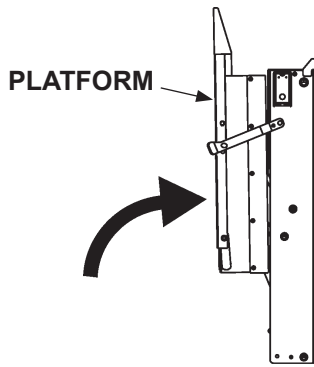
RAISING PLATFORM TO BED HEIGHT
FIG. 17-1

2. If platform is equipped with flipover, fold flipover (**FIG. 17-2**).



FOLDING FLIPOVER
FIG. 17-2

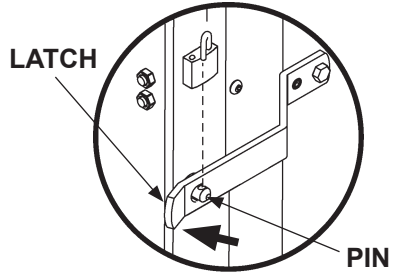
3. Fold platform upright against the columns (**FIG. 17-3**).



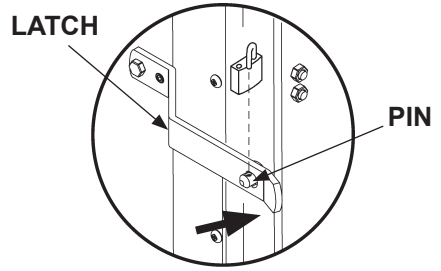
FOLDING PLATFORM
FIG. 17-3

STOWING PLATFORM - Continued

4. Latch platform pin to RH column (FIG. 18-1). Repeat for LH column (FIG. 18-2).

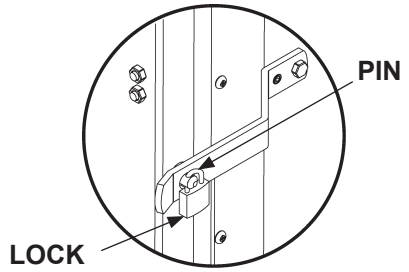


LATCHING PLATFORM TO
RH COLUMN
FIG. 18-1

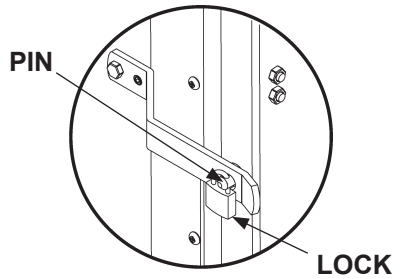


LATCHING PLATFORM TO
LH COLUMN
FIG. 18-2

5. If necessary, lock latch to platform pin on the RH column or LH column (FIGS. 19-1 and 19-2).



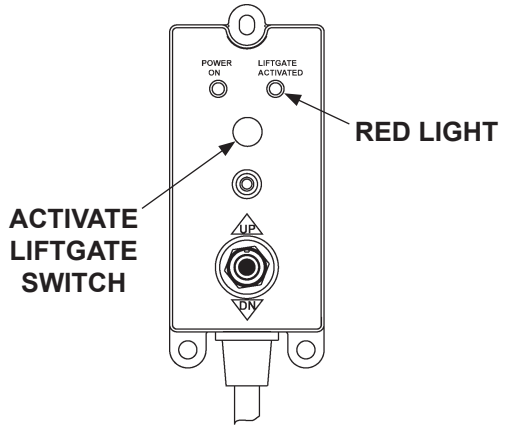
**PLATFORM LOCKED TO
RH COLUMN
FIG. 19-1**



**PLATFORM LOCKED TO
LH COLUMN
FIG. 19-2**

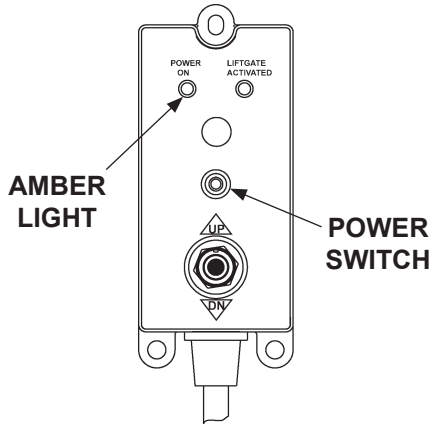
TURNING OFF POWER

1. Deactivate the Liftgate by pushing **ACTIVATED** switch 2 times in one second (**FIG. 20-1**). Red **ACTIVATED** light is off when Liftgate is deactivated.



**ACTIVATE LIFTGATE SWITCH
& INDICATOR LIGHT
FIG. 20-1**

2. Turn off power to Liftgate by pushing power switch on the Liftgate control (**FIG. 20-2**). Amber **POWER ON** light is off when power switch is turned off.



**POWER ON SWITCH &
INDICATOR LIGHT
FIG. 20-2**

3. Liftgate is ready for transport.

