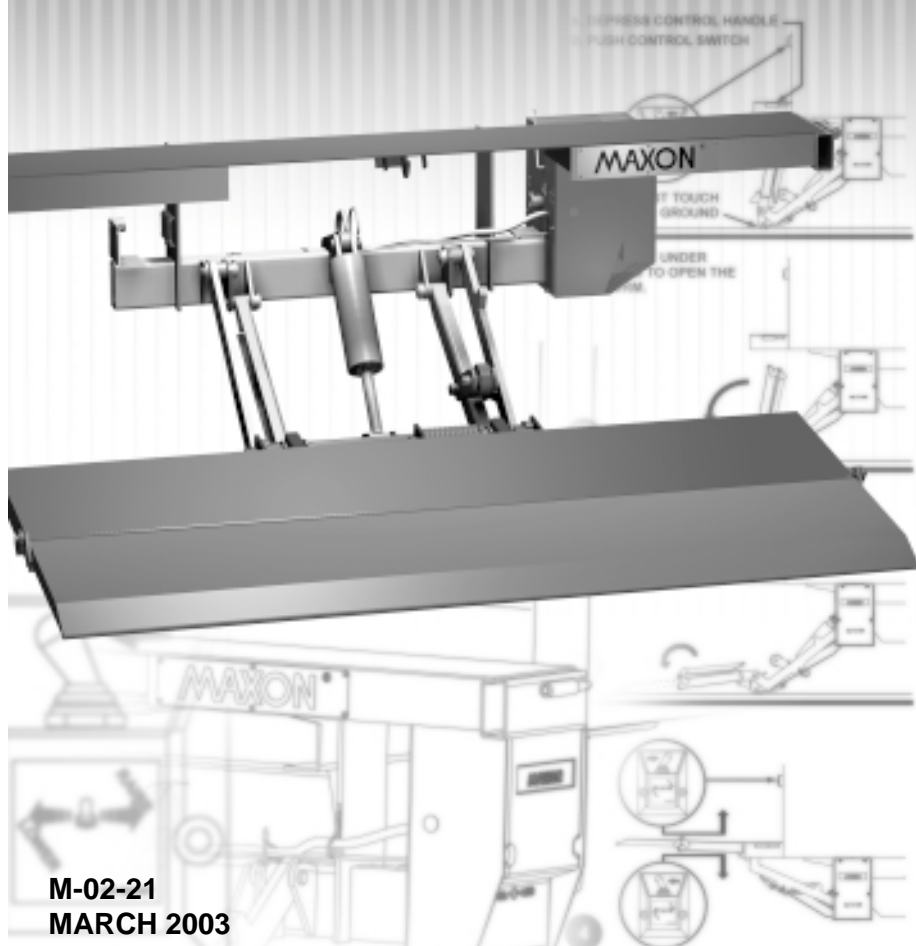


MAXON®

72-150SA • TE-20SA
OPERATION

MANUAL



M-02-21
MARCH 2003

KEEP THIS MANUAL IN CAB OF VEHICLE

For a free copy of other manuals that pertain to this model Liftgate, please visit our website at www.maxonlift.com or call Customer Service at (800) 227-4116

Table of Contents

WARNINGS	4
LIFTGATE TERMINOLOGY	5
DECALS	6
FORKLIFT ADVISORY	8
OPERATION	9

WARNING

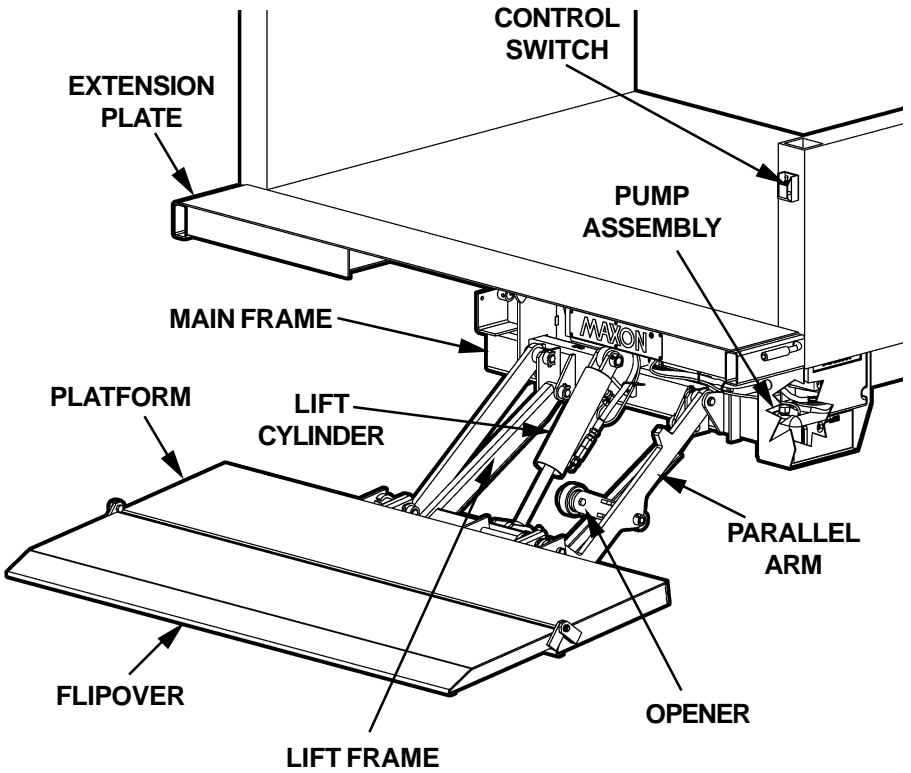
1. Incorrect operation of this Liftgate can result in serious personal injury. Comply with WARNINGS and Liftgate operating instructions in this manual. Do not allow untrained persons to operate the Liftgate. If you need to replace an **Operation Manual**, additional copies are available from:

MAXON Lift Corp.
11921 Slauson Ave
Santa Fe Springs, CA 90670
(800) 227-4116

NOTE: For latest version Manuals (and replacements), download Manuals from Maxon's website at www.maxonlift.com.

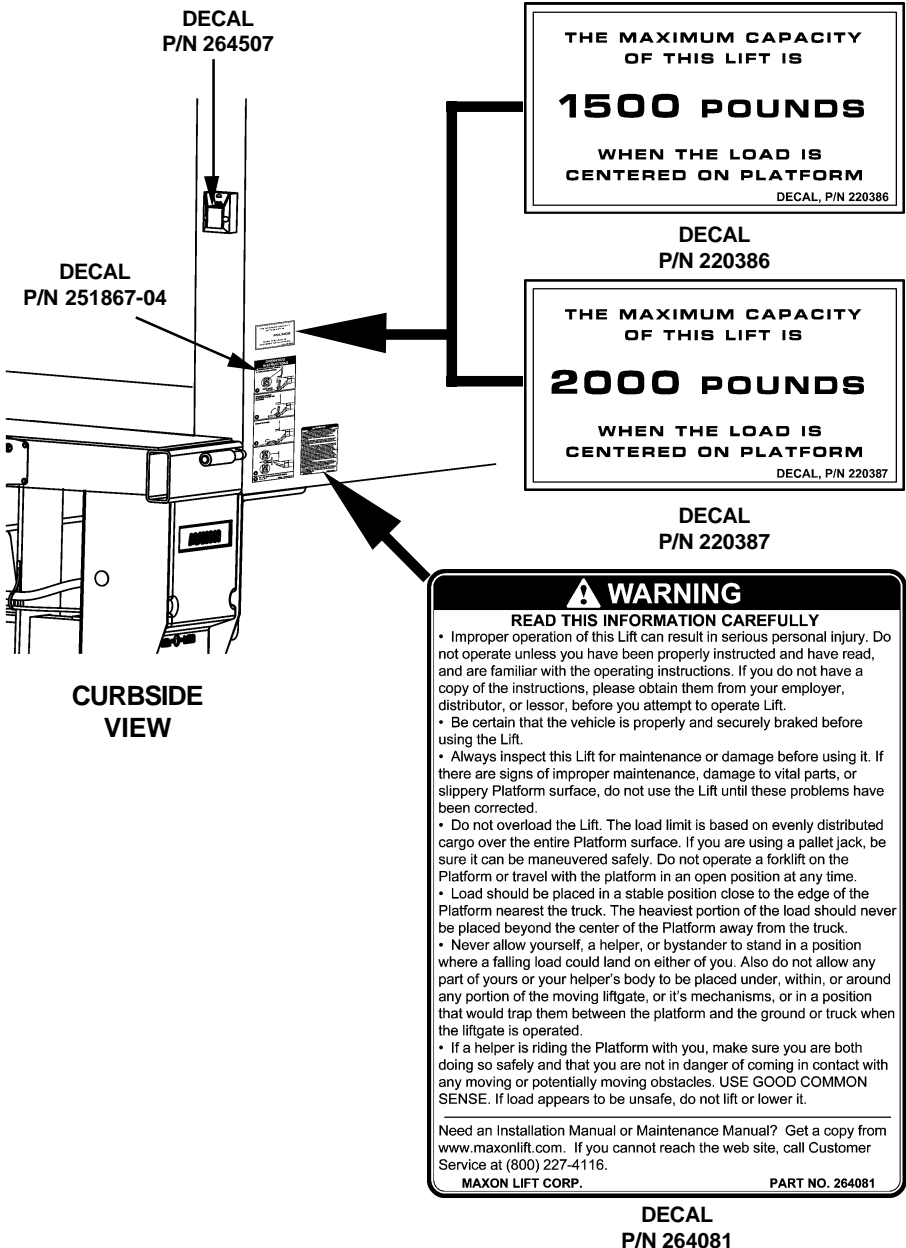
2. Do not exceed rated load capacity of the Liftgates which is **1500 lbs. for model 72-150SA and 2000 lbs. for model TE-20SA.**
3. Do not allow any part of your body to be placed under, within, or around any portion of the moving Liftgate or its mechanisms, or in a position that would trap them between the platform and the floor of truck body (or between platform and the ground) when Liftgate is operated.
4. Consider the safety and location of bystanders and location of nearby objects when operating the Liftgate. Stand to one side of platform while operating the Liftgate. Be certain that the area the Liftgate will move through during operation is clear of all obstacles.
5. Comply with all attached instruction decals and warning decals.
6. Keep decals clean and legible. If decals are defaced or missing have them replaced. **Get free replacement decals from Maxon.**
7. **Never drive a forklift on the Liftgate Platform.**
8. Do not move vehicle unless Liftgate is correctly stowed.
9. **Correctly stow platform when not in use. Extended platforms could create a hazard for people and vehicles passing by.**
10. A correctly installed Liftgate will operate smoothly and reasonably quiet. The only noticeable noise, during Liftgate operation, is from the Pump Unit while the Platform is raised. Listen for scraping, grating and binding noises and have the problem corrected before continuing to operate the Liftgate.
11. Above all, **USE GOOD COMMON SENSE** when operating this Liftgate.

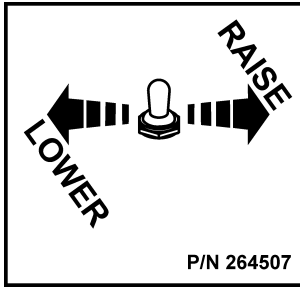
LIFTGATE TERMINOLOGY



DECALS

NOTE: Decals for Streetside are included with the Streetside Control Switch Kit.





DECAL P/N 264507

PATENTS PENDING
DECAL, P/N 265642

**DECAL
(LOCATED BY SERIAL PLATE)
P/N 265642**

OPERATING INSTRUCTIONS

A. DEPRESS CONTROL HANDLE
B. PUSH CONTROL SWITCH

1 MUST TOUCH GROUND

USE HANDLE UNDER PLATFORM TO OPEN THE PLATFORM.

2

UNFOLD FLIPOVER.

3

4

5 TO TUCK UNIT AWAY REVERSE STEPS 1, 2, 3, & 4.
STOW LIFTGATE UNDER HYDRAULIC PRESSURE.

DECAL, P/N 251867-04

**DECAL
P/N 251867-04**

FORKLIFT ADVISORY

⚠ WARNING

Keep Forklift OFF of Platform.

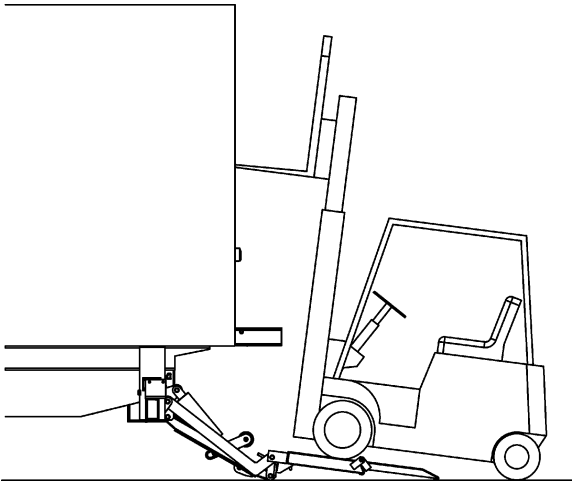
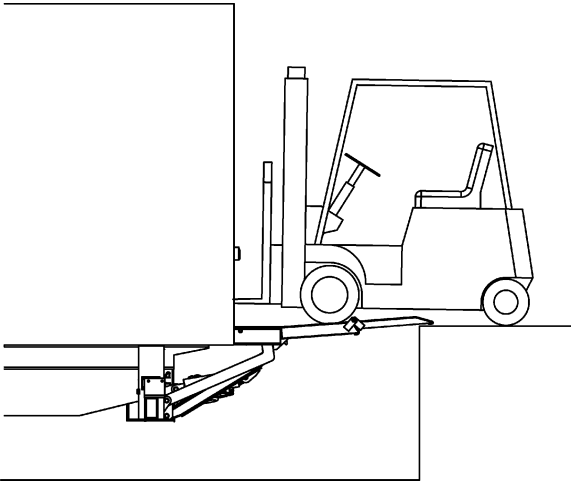
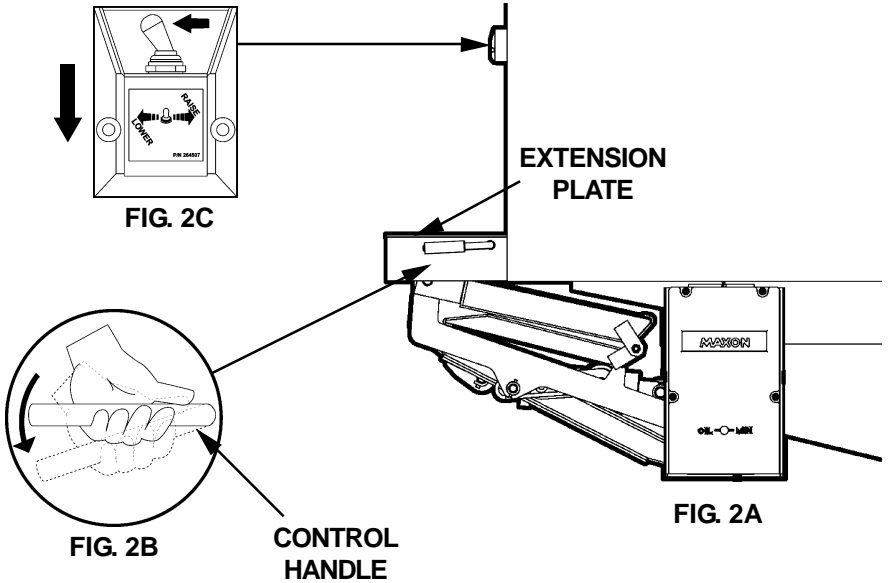


FIG. 1

OPERATION

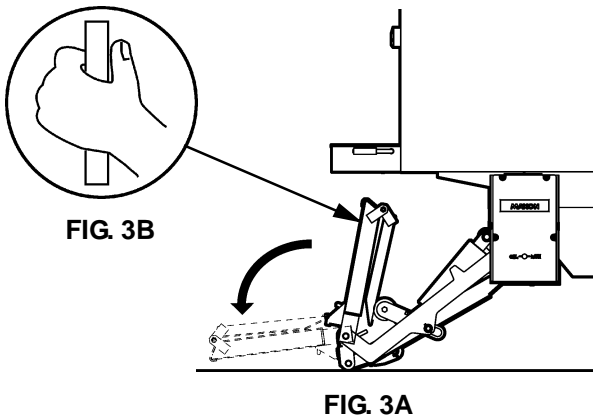
1. Standing to the side of platform(**FIG. 2A**), push down control handle (**FIG. 2B**) and push the toggle switch to **LOWER** position as shown in **FIG. 2C**. Release control handle after platform lowered about 2 inches.



WARNING

Never operate control switch while unfolding Platform. Always use Handle on bottom of Platform to unfold Platform. Holding the Platform any other way can create a hazard and injure Operator.

2. Lower the Liftgate until it touches the ground (**FIG. 3A**). Use handle (**FIG. 3A**) to manually unfold the platform as shown in **FIG. 3A**.



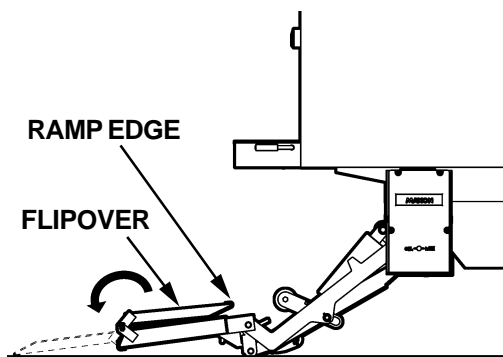


FIG. 4

3. Standing to the side of the Platform (FIG. 4), unfold Flipover by the Ramp Edge as shown in FIG. 4.

NOTE: While operating the Liftgate, you can stop the platform immediately by releasing the Toggle Switch.

4. Raise the platform (FIG. 5A) by pushing the Toggle Switch to the **RAISE** position (FIG. 5B). If loading (or unloading) the platform, wait a second before releasing the Toggle Switch, after platform reaches bed height. If you need to lower the platform, push the Toggle Switch to the **LOWER** position (FIG. 5C).

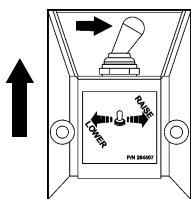


FIG. 5B

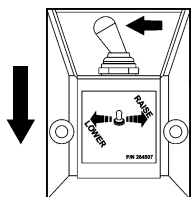


FIG. 5C

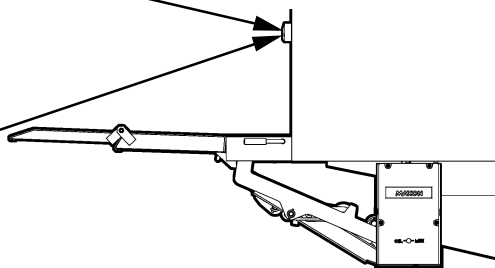
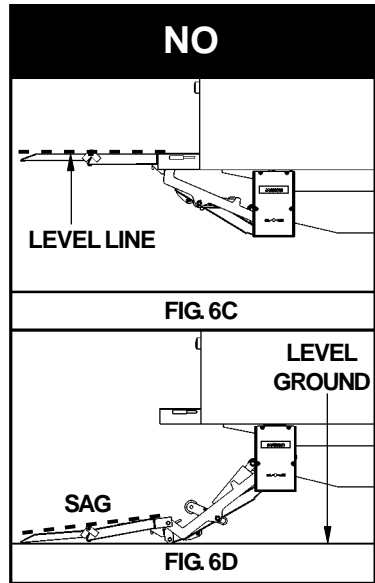
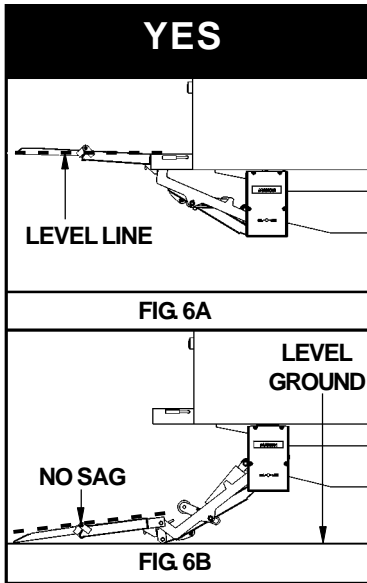


FIG. 5A

5. Make sure platform is positioned like the YES illustrations in **FIG. 6A** and **FIG. 6B**. At bed height with no load, outboard edge of platform must be higher than extension plate (**FIG. 6A**). At ground level, with no load, the platform must not sag (**FIG. 6B**).
6. If platform is level at bed height (**FIG. 6C**) or if it sags at ground level (**FIG. 6D**), get a qualified mechanic to correct the problem before operating the Liftgate.



WARNING

A load should never extend past the edges of the platform. Do not place unstable loads on platform and do not allow load to exceed the lifting capacity of the Liftgate. If standing on platform, do not allow your feet to extend beyond the inboard edge of the platform.

7. Load the Platform as follows. Place all loads as close as possible to the inboard edge of the platform with heaviest part toward the truck body as shown in **FIG. 7**. If you need to stand on Platform with the load, stand in the footprint area shown and comply with the preceding **WARNING**.

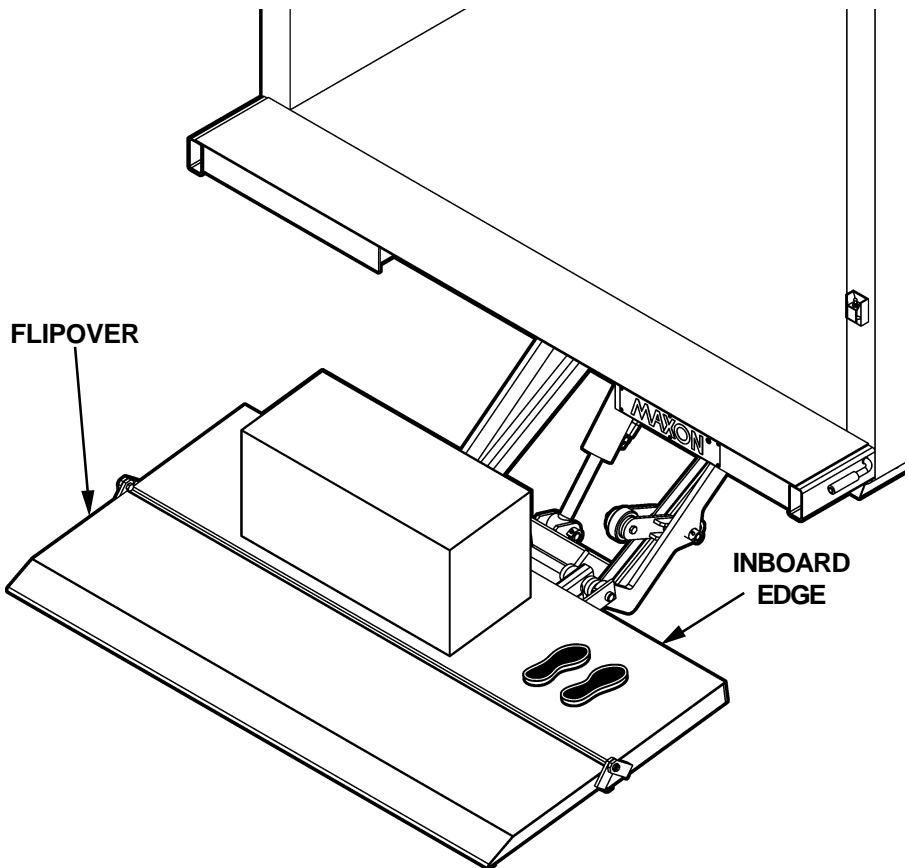


FIG. 7

⚠ WARNING

Never move the vehicle with a load on the Liftgate platform or with the Liftgate unfolded

8. Before moving the vehicle, prepare the Liftgate as follows. Remove load from Platform. If the Platform is at bed height, push the Toggle Switch to the **LOWER** position as shown in **FIG. 8B**. Release Toggle Switch when Platform touches the ground (**FIG. 8A**).

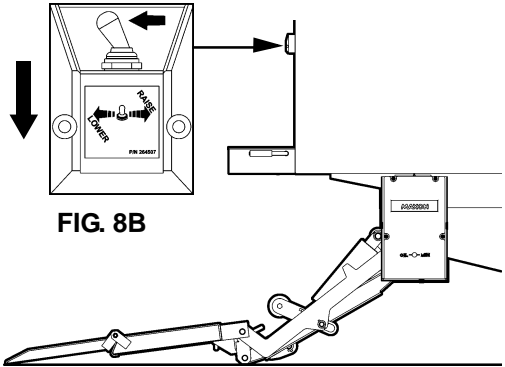


FIG. 8B

FIG. 8A

9. Stow the Liftgate by doing the following steps. **RAISE** the Platform 2" above the ground (**FIG. 9A**) by pushing the Control Switch to the **RAISE** position (**FIG. 9B**). Then fold Flipover (**FIG. 10**).

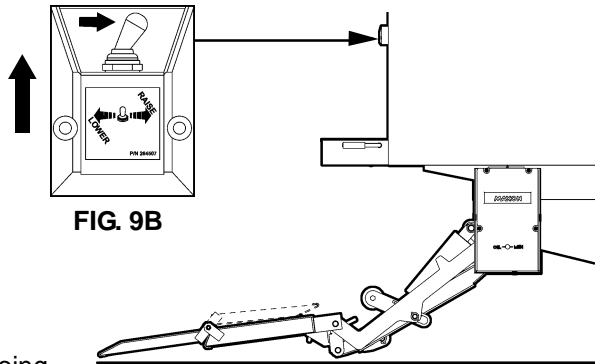


FIG. 9B

FIG. 9A

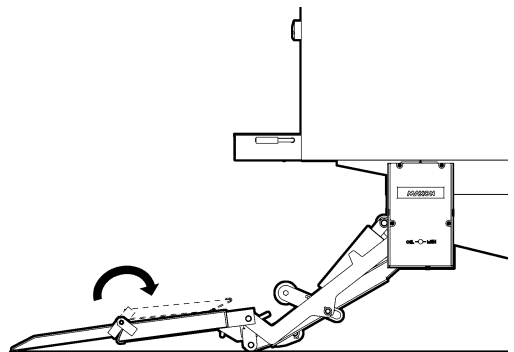


FIG. 10

10. Lift platform to gain access to handle. **Use handle** to manually fold platform as shown in **FIG. 11**.

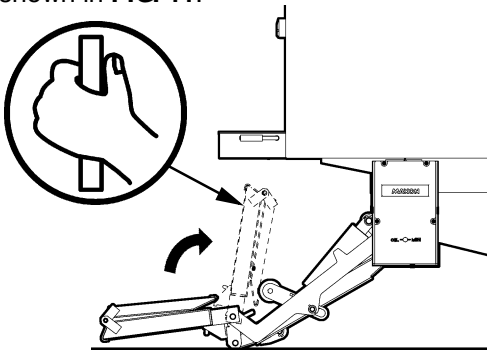
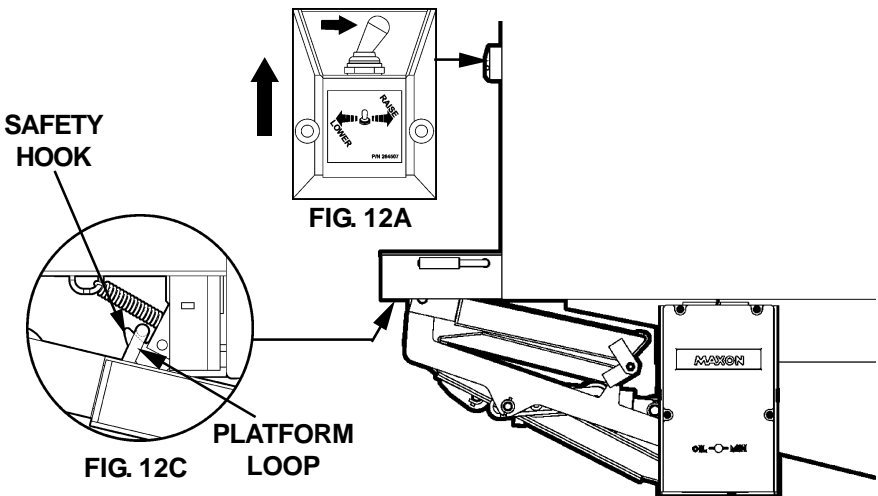


FIG. 11

CAUTION

Stow Liftgate under hydraulic pressure. To prevent damage, make sure Platform Loop is not resting on Safety Hook (FIG. 12C).

11. Raise the Liftgate (**FIG. 12B**) by pushing the Toggle Switch to the **RAISE** position (**FIG. 12A**). Wait a second before releasing Toggle Switch after Liftgate is raised all the way. Then make sure Platform Loop is positioned above Safety Hook as shown in **FIG. 12C**.



12. Liftgate is ready for transport.