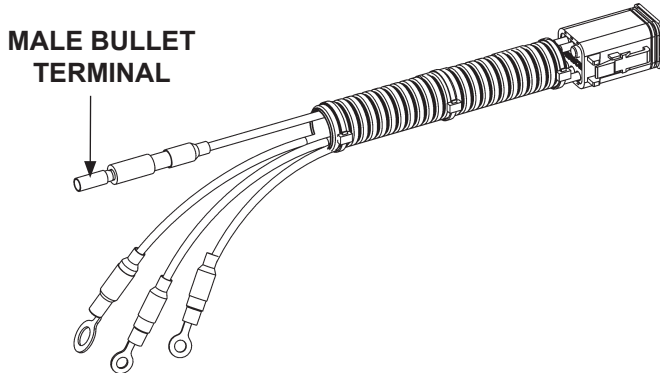
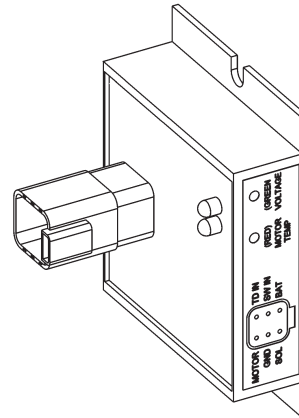


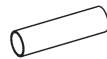
INSTRUCTION, HALDEX PUMP LVS KIT P/N 267923-01



LVS WIRE HARNESS
P/N 267924-01
QTY. 1



LOW VOLTAGE SWITCH (LVS MODULE)
P/N 906530-01
QTY. 1



SHRINK TUBING, 1/4" x 2" LG
P/N 250673-01
QTY. 1

MAXON[®]
LOW VOLTAGE SWITCH (LVS)
INSTRUCTIONS

The LVS system protection device is attached to the pump motor starter switch on this liftgate. This LVS is designed to remove power from liftgate when battery voltage is too low for reliable vehicle and liftgate operation. If liftgate will not operate, look at the **LVS VOLTAGE LIGHT** and follow the instructions shown on this decal.

VOLTAGE LIGHT (GREEN)

- ON**-Liftgate functions are normal.
- BLINKING RAPIDLY**-Liftgate will shut down shortly.
- BLINKING SLOWLY**-Liftgate has shut down.
- OFF**-No power or the LVS is malfunctioning.

MANUAL OVERRIDE
To override the LVS shut down mode, rapidly toggle liftgate control switch 5 times between UP and center position. Override will let liftgate operate for one more cycle.

BATTERY VOLTAGE RESET
LVS resets when battery charging voltage is above 13 volts. Start vehicle engine to recharge battery.

P/N 265923-02

LVS INSTRUCTION DECAL
P/N 265923-02
QTY. 1



SCREW, PAN HEAD,
1/4"-20 X 3/4" LG
P/N 900002-1
QTY. 2



LOCK NUT, NYLON 1/4"-20
P/N 901000
QTY. 2

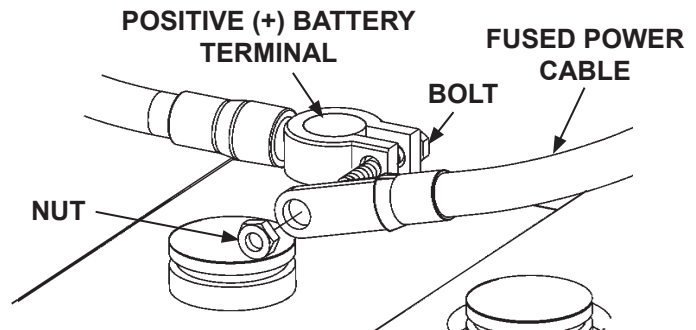


FLAT WASHER, 1/4"
P/N 902013-09
QTY. 2

⚠ WARNING

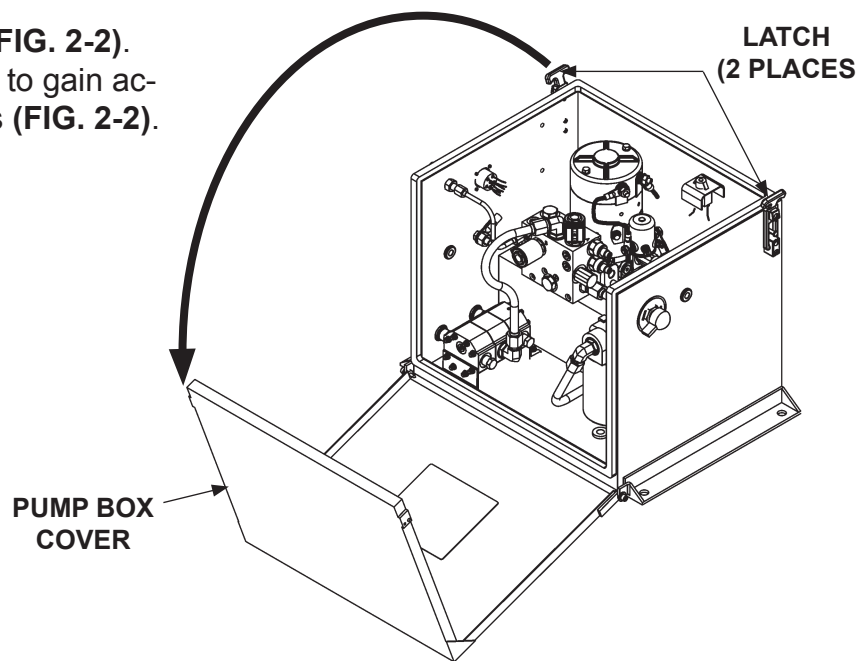
To prevent personal injury and equipment damage, make sure power is disconnected at the battery while installing electrical parts.

1. Remove nut from positive (+) battery terminal connector. Disconnect the fused power cable (**FIG. 2-1**). Reinstall nut.



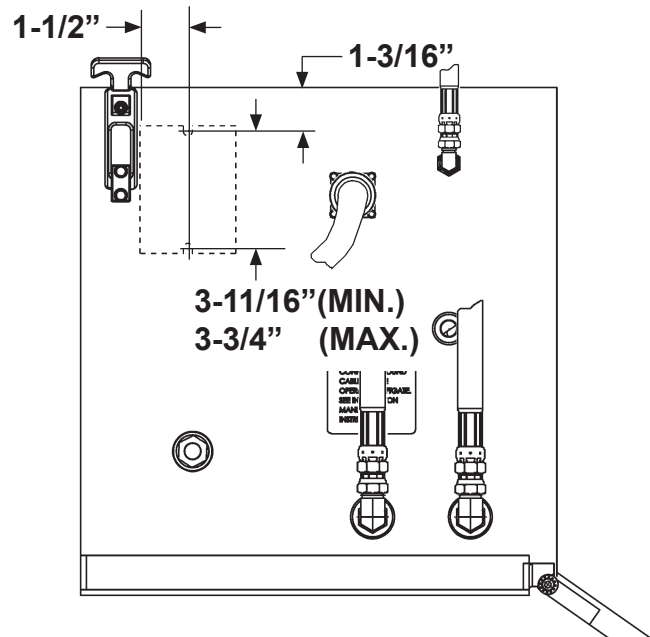
**DISCONNECTING FUSED POWER CABLE
FIG. 2-1**

2. Unlatch pump box cover (**FIG. 2-2**). Open the pump box cover to gain access to wiring connections (**FIG. 2-2**).

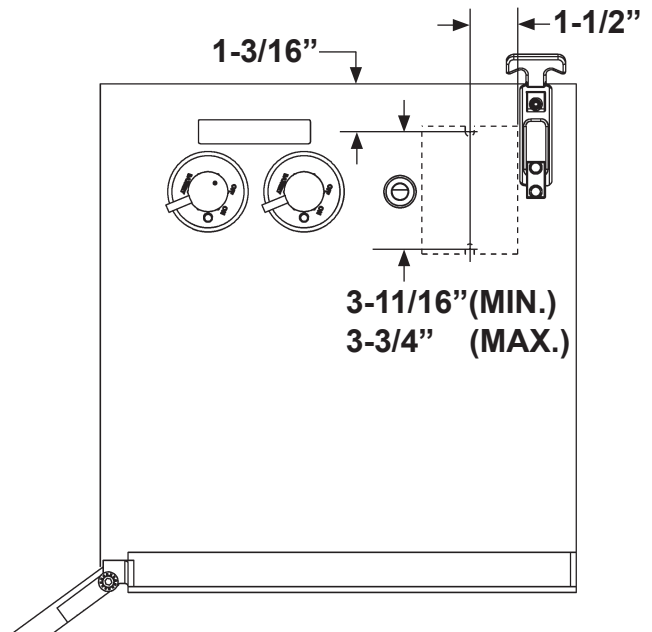


**OPENING PUMP BOX COVER
(SINGLE PUMP SHOWN)
FIG. 2-2**

3. Mark 2 holes on the outside of the pump box for each LVS module. (See FIG. 3-1 for single pump and FIG. 3-2 for dual pump.) Use a $\frac{17}{64}$ " bit to drill the 2 holes.

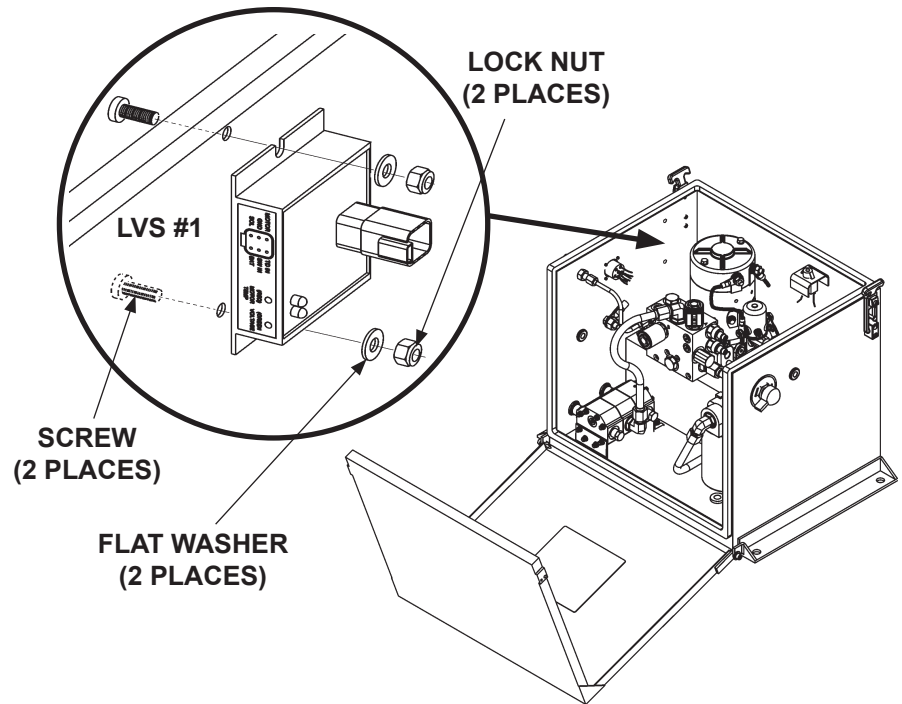


**MARKING THE MOUNTING HOLES FOR LVS #1
(SINGLE & DUAL PUMP, LH SIDE SHOWN)
FIG. 3-1**

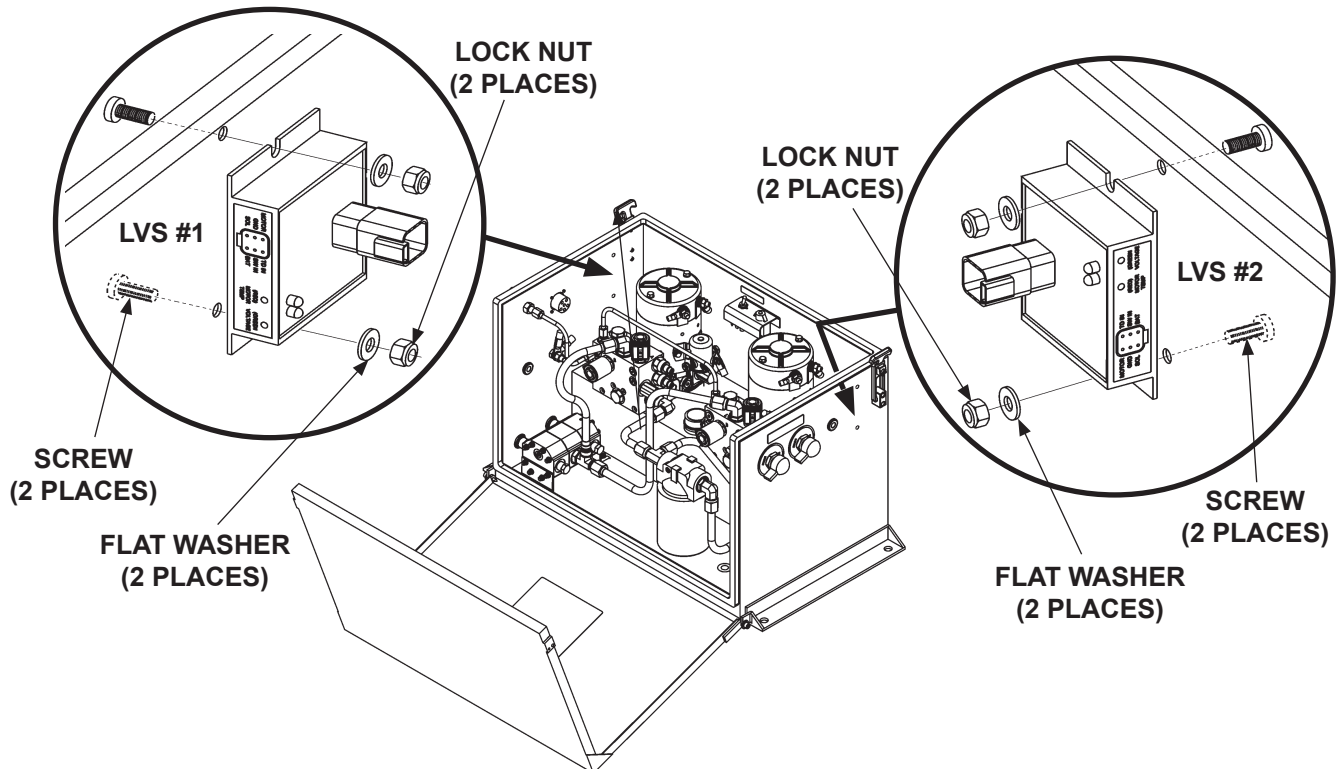


**MARKING THE MOUNTING HOLES FOR LVS #2
(DUAL PUMP ONLY, RH SIDE SHOWN)
FIG. 3-2**

4. Attach LVS module (Kit item) to the inside wall of pump box. (See FIG. 4-1 for single pump and FIG. 4-2 for dual pump.)



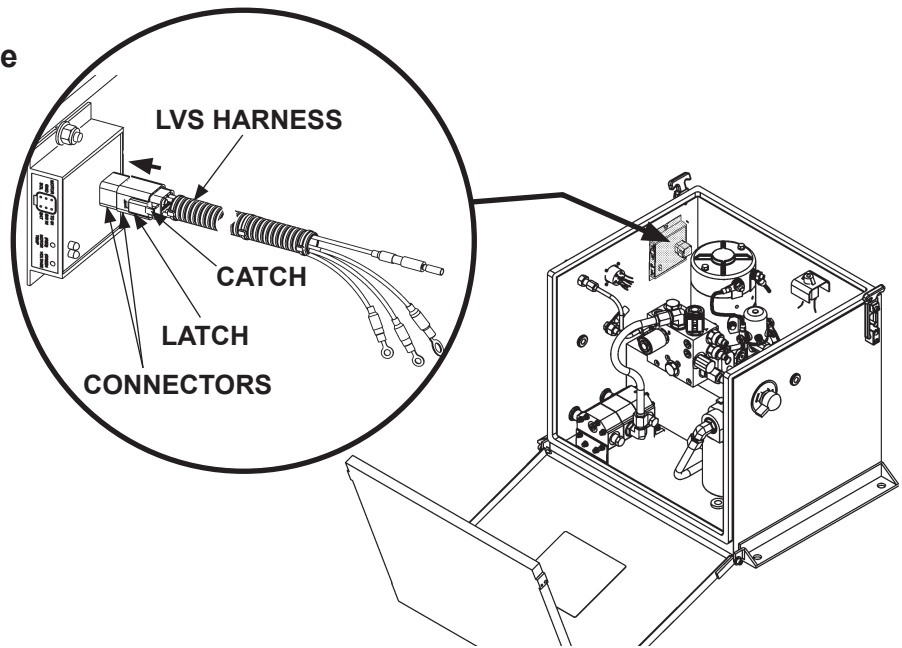
**ATTACHING LVS #1 TO WALL OF PUMP BOX
(SINGLE PUMP SHOWN)
FIG. 4-1**



**ATTACHING LVS #1 & LVS #2 TO WALLS OF PUMP BOX
(DUAL PUMP SHOWN)
FIG. 4-2**

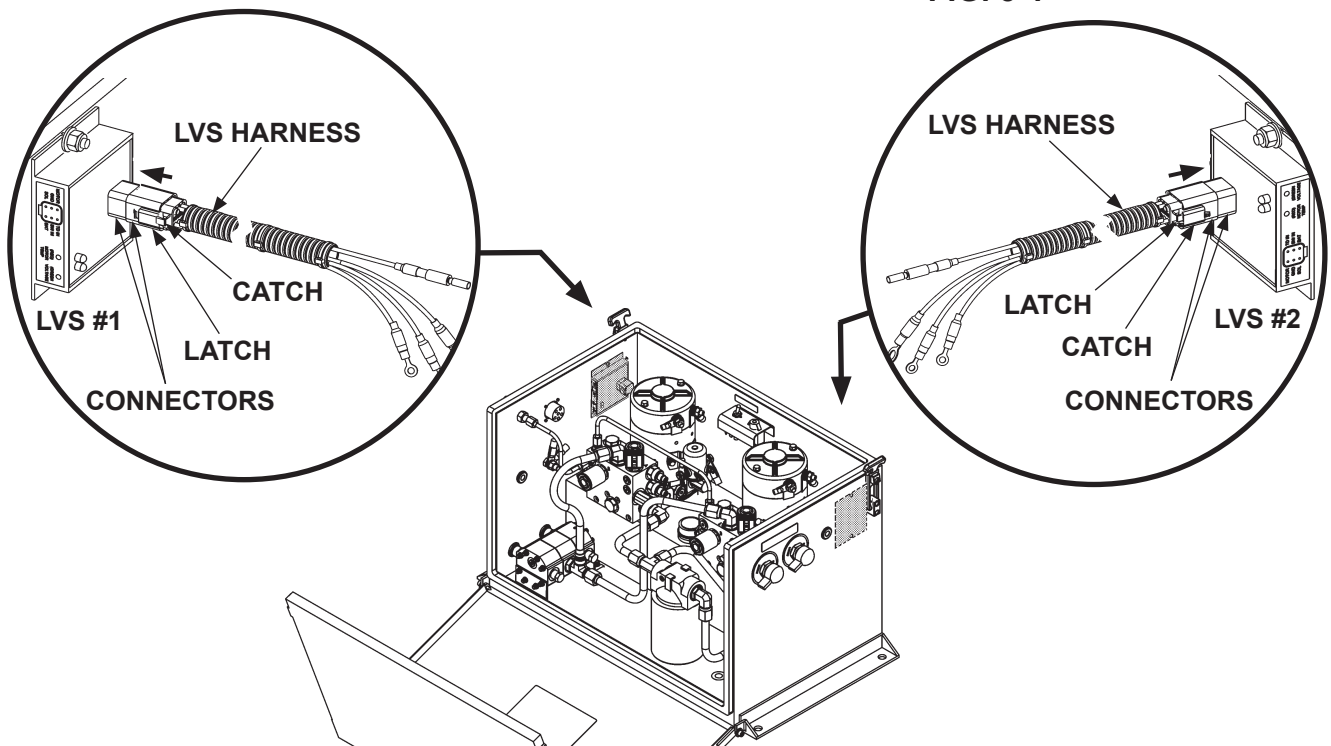
NOTE: MAXON recommends using dielectric grease on all electrical connections.

5. Connect LVS wiring harness (Kit item) to LVS module. (See FIG. 5-1 for single pump and FIG. 5-2 for dual pump.)



**CONNECTING LVS HARNESS TO LVS #1
(SINGLE PUMP SHOWN)**

FIG. 5-1



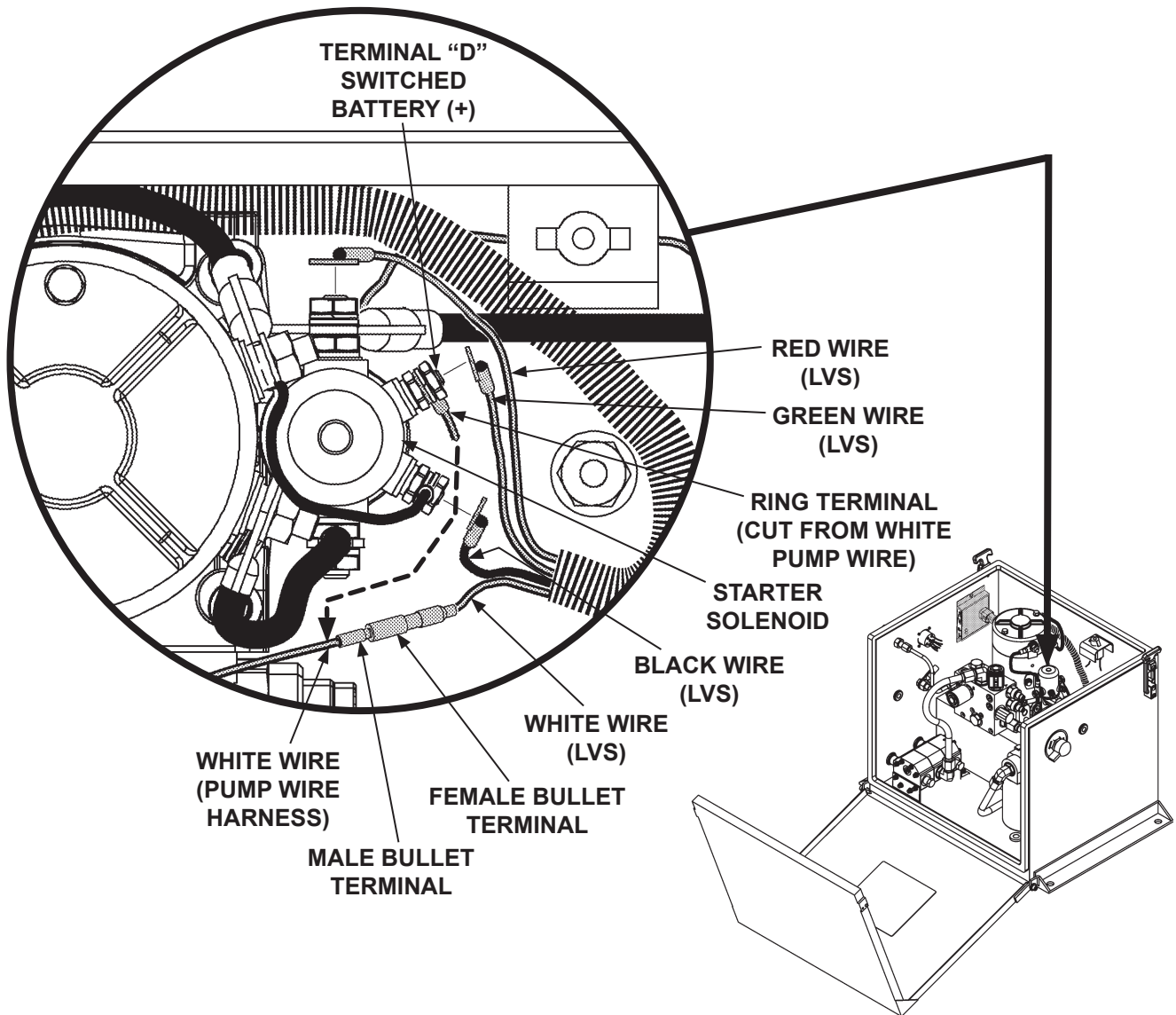
**CONNECTING LVS HARNESSES TO
LVS #1 & LVS #2 (DUAL PUMP SHOWN)**

FIG. 5-2

⚠ CAUTION

Route electrical wires clear of the pump box cover and any sharp edges. Avoid making sharp bends in wiring. Connect wiring only as shown in the instructions that follow.

6. Cut the **WHITE** wire from the ring terminal connected to terminal “D” on the solenoid switch (**FIG. 6-1**). Next, strip 1/4” insulation from the white wire. Crimp the white wire to the male bullet terminal connected to the white wire on the LVS wire harness (**FIG. 6-1**).

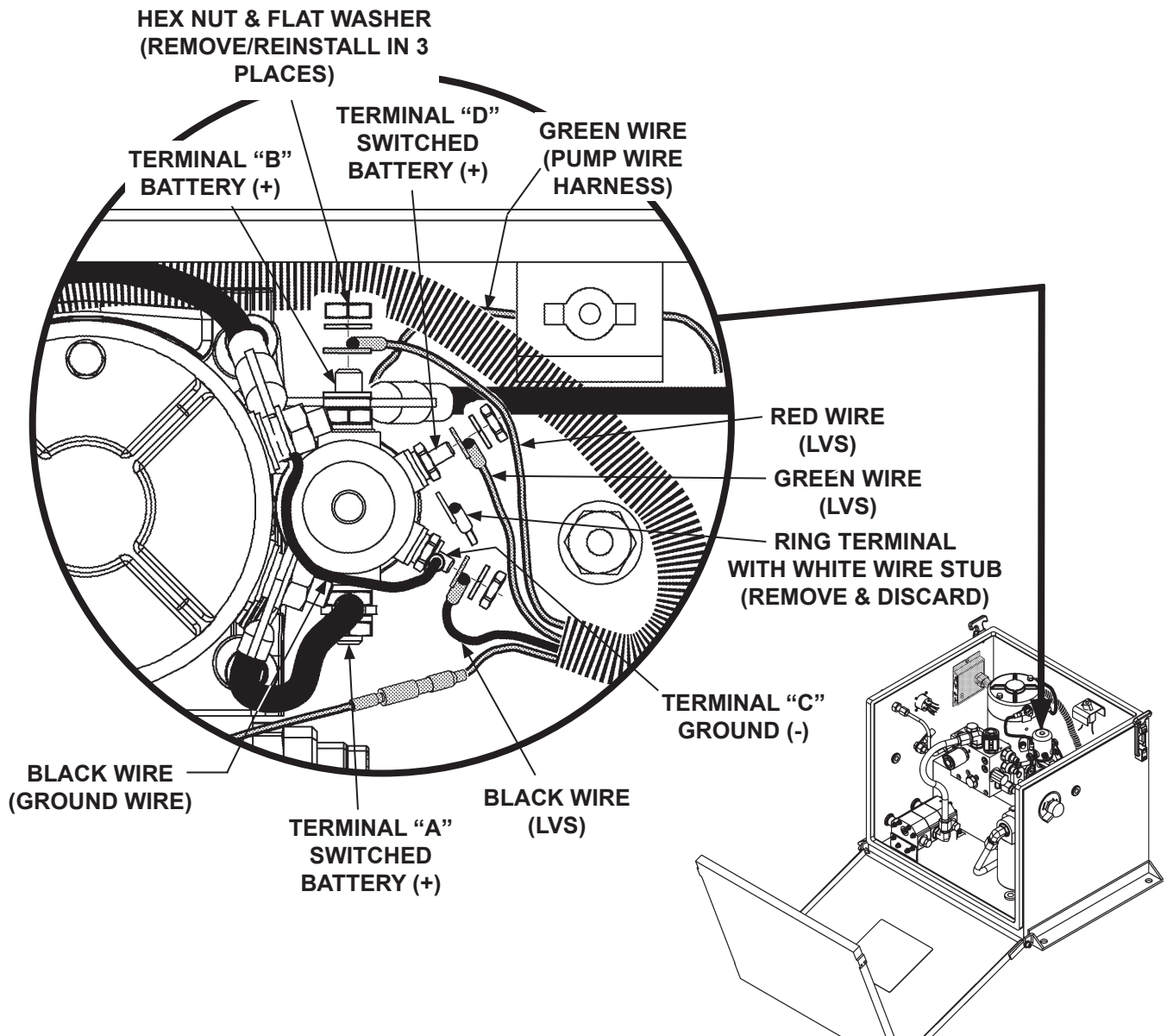


**CONNECTING WHITE WIRE ON THE PUMP HARNESS TO WHITE WIRE ON LVS HARNESS (SINGLE PUMP SHOWN)
FIG. 6-1**

CAUTION

To prevent damage to metal case starter solenoid, hold bottom terminal nut securely when loosening and tightening top terminal nut. Do not over-tighten the terminal nuts. For the 5/16" load terminals, torque nuts 35-40 lbs.-in. Torque the nuts on #10-32 control terminals 15-20 lbs.-in.

7. Connect LVS wire harness to starter solenoid as shown in FIG. 7-1.

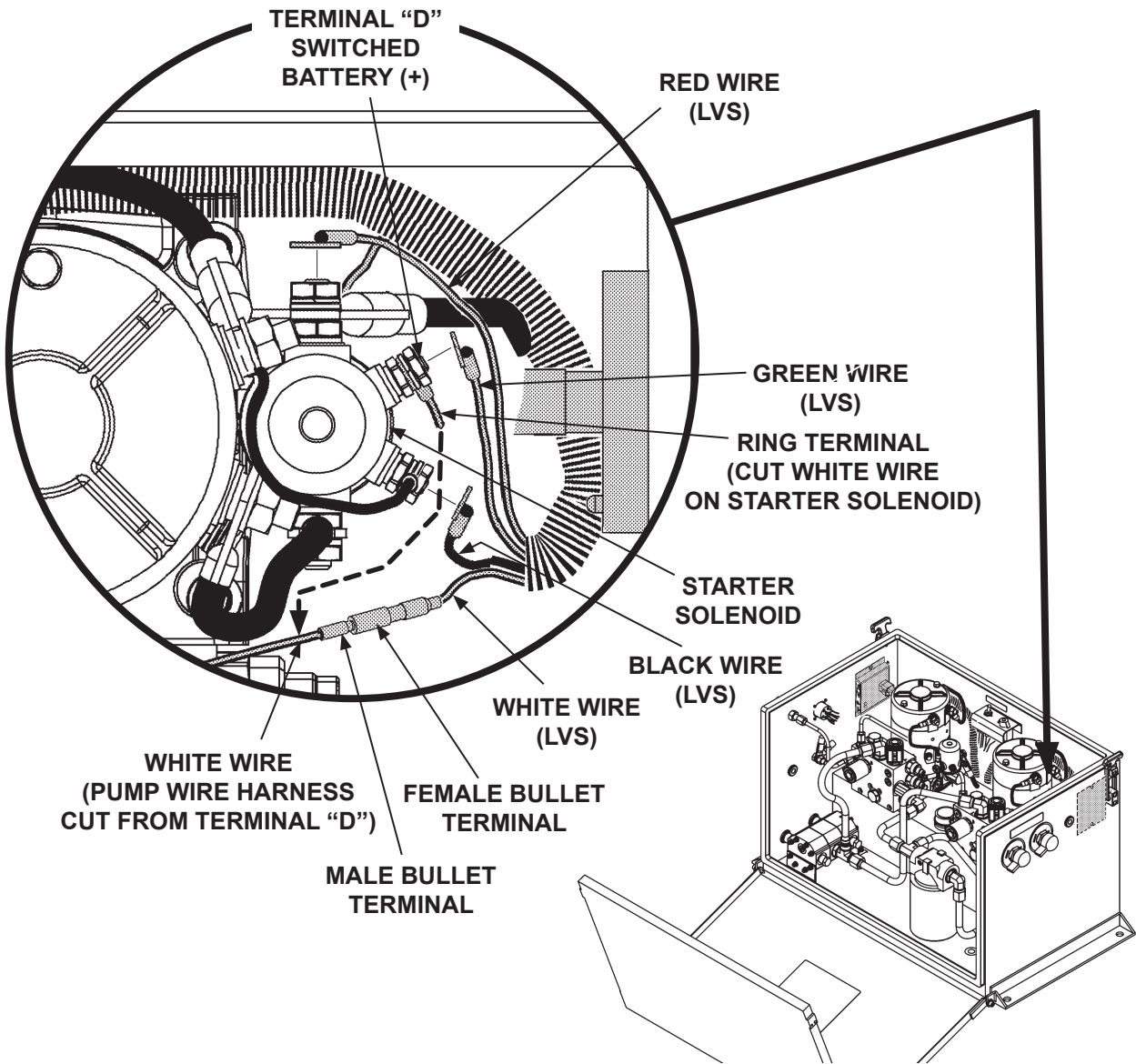


**CONNECTING LVS RED, GREEN & BLACK
WIRES TO STARTER SOLENOID
(SINGLE PUMP SHOWN)**

FIG. 7-1

NOTE: To install LVS #2 in a dual pump system, do steps 8 and 9. For a single pump system skip these steps and continue with step 10.

8. Cut the **WHITE** wire from the ring terminal connected to terminal "D" on the **PUMP #2** starter solenoid (**FIG. 8-1**). Next, strip 1/4" insulation from the white wire. Crimp the white wire to the male bullet terminal connected to the white wire on the LVS wire harness (**FIG. 8-1**).



**CONNECTING WHITE WIRE ON THE PUMP HARNESS TO WHITE WIRE ON LVS HARNESS (DUAL PUMP SHOWN)
FIG. 8-1**

CAUTION

To prevent damage to metal case starter solenoid, hold bottom terminal nut securely when loosening and tightening top terminal nut. Do not over-tighten the terminal nuts. For the 5/16" load terminals, torque nuts 35-40 lbs.-in. Torque the nuts on #10-32 control terminals 15-20 lbs.-in.

9. Connect LVS wire harness to starter solenoid as shown in FIG. 9-1.

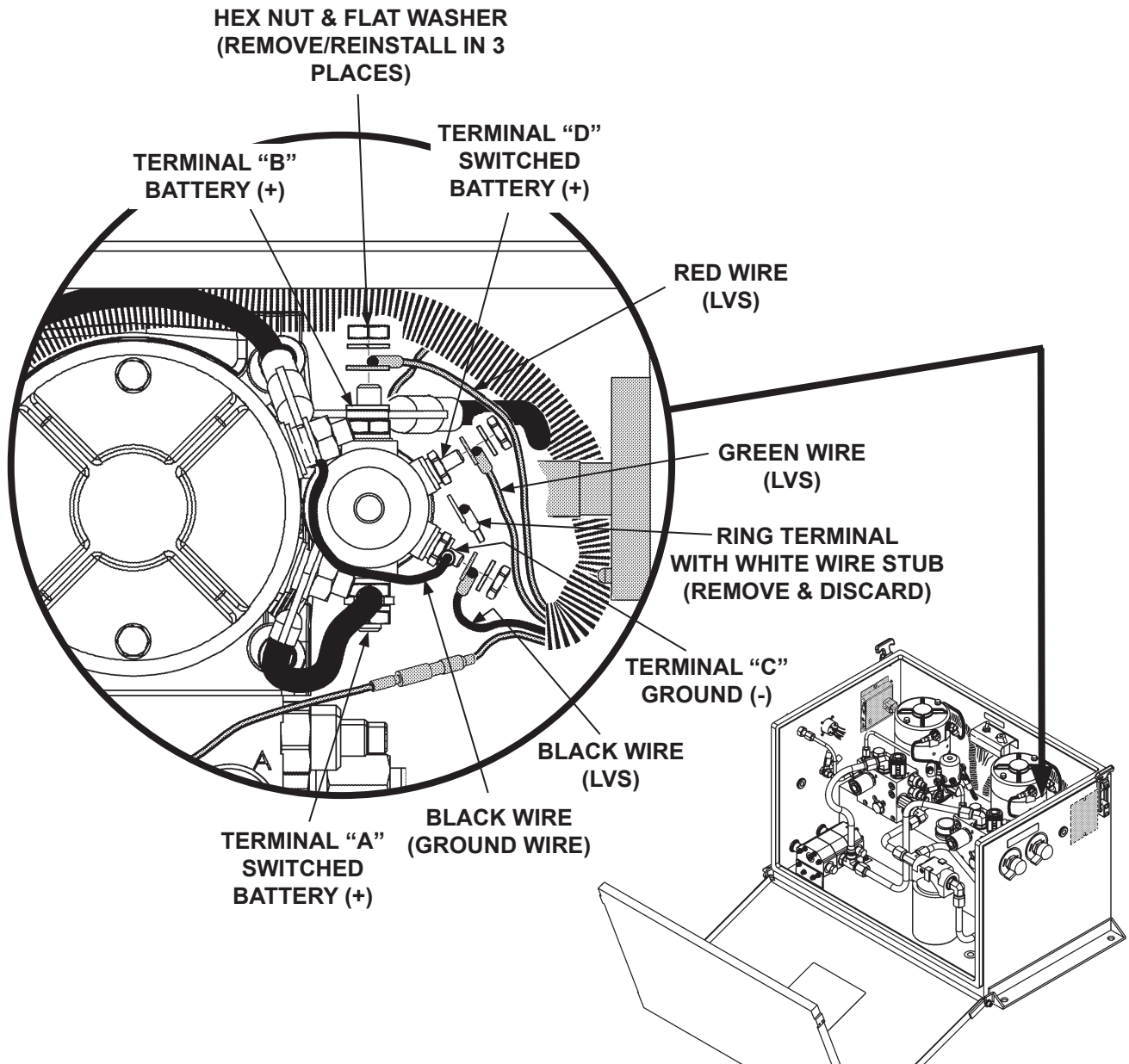


FIG. 9-1

CAUTION

For cover gasket to seal correctly, each LVS decal must be attached clear of the gasket sealing surface.

NOTE: LVS instruction decals must be attached to the inside of the pump box cover & must be readable with cover open.

10. Attach each LVS instruction decal (FIG. 10-1) to the inside of the pump box cover (See FIG. 10-2 for single pump and FIG. 10-3 for dual pump).

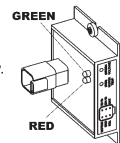
MAXON[®]

LOW VOLTAGE SWITCH (LVS) INSTRUCTIONS

The LVS system protection device is attached to the pump motor starter switch on this liftgate. This LVS is designed to remove power from liftgate when battery voltage is too low for reliable vehicle and liftgate operation. If liftgate will not operate, look at the LVS VOLTAGE LIGHT and follow the instructions shown on this decal.

VOLTAGE LIGHT (GREEN)

- ON**-Liftgate functions are normal.
- BLINKING RAPIDLY**-Liftgate will shut down shortly.
- BLINKING SLOWLY**-Liftgate has shut down.
- OFF**-No power or the LVS is malfunctioning.



MANUAL OVERRIDE

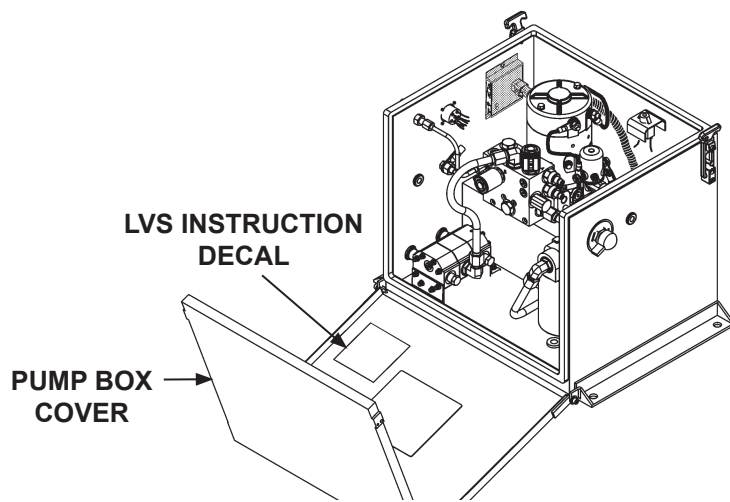
To override the LVS shut down mode, rapidly toggle liftgate control switch 5 times between UP and center position. Override will let liftgate operate for one more cycle.

BATTERY VOLTAGE RESET

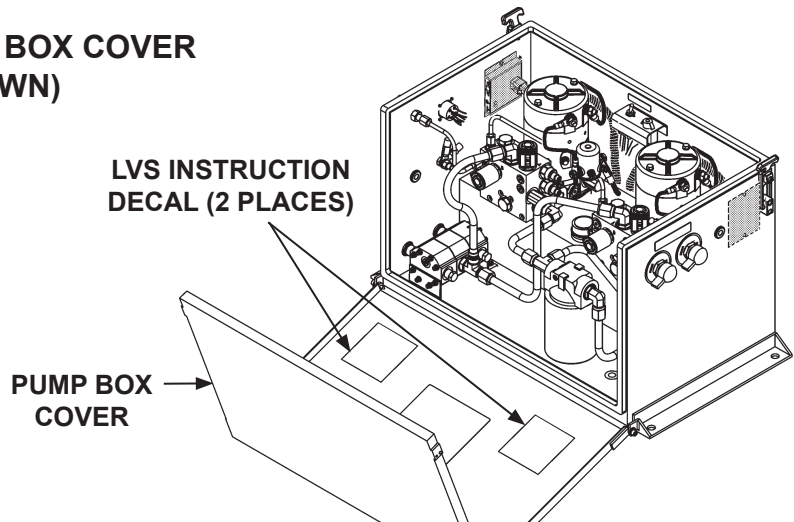
LVS resets when battery charging voltage is above 13 volts. Start vehicle engine to recharge battery.

P/N 265923-02

LVS INSTRUCTION DECAL FIG. 10-1

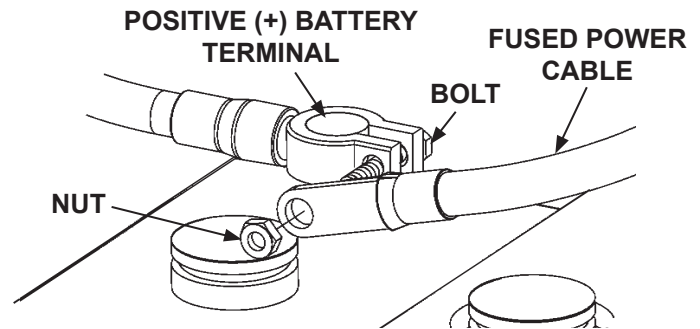


DECAL ATTACHED TO PUMP BOX COVER (SINGLE PUMP SHOWN) FIG. 10-2



DECAL ATTACHED TO PUMP BOX COVER (DUAL PUMP SHOWN) FIG. 10-3

11. Remove nut from positive (+) battery terminal connector. Reconnect the fused power cable to positive (+) battery terminal connector (**FIG. 11-1**). Reinstall and tighten nut.



RECONNECTING FUSED POWER CABLE
FIG. 11-1

12. Use the LVS instruction decal (**FIG. 11-2**) to ensure LVS & Liftgate function correctly.

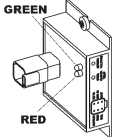
MAXON[®]

LOW VOLTAGE SWITCH (LVS)
INSTRUCTIONS

The LVS system protection device is attached to the pump motor starter switch on this liftgate. This LVS is designed to remove power from liftgate when battery voltage is too low for reliable vehicle and liftgate operation. If liftgate will not operate, look at the LVS VOLTAGE LIGHT and follow the instructions shown on this decal.

VOLTAGE LIGHT (GREEN)

- ON**- Liftgate functions are normal.
- BLINKING RAPIDLY**-Liftgate will shut down shortly.
- BLINKING SLOWLY**-Liftgate has shut down.
- OFF**-No power or the LVS is malfunctioning.



MANUAL OVERRIDE
To override the LVS shut down mode, rapidly toggle liftgate control switch 5 times between UP and center position. Override will let liftgate operate for one more cycle.

BATTERY VOLTAGE RESET
LVS resets when battery charging voltage is above 13 volts. Start vehicle engine to recharge battery.

P/N 265923-02

LVS INSTRUCTION DECAL
FIG. 11-2

13. Close pump box cover when installation and LVS check are completed .