

INSTRUCTION, STD-RC LOW VOLTAGE SWITCH (LVS) INSTALLATION KIT P/N 264754



Low Voltage Switch
P/N 905291



Red Wire
Assembly
P/N 264546



White Extension
Wire Assembly
P/N 264755



Black Cable
Assembly
P/N 250926-05

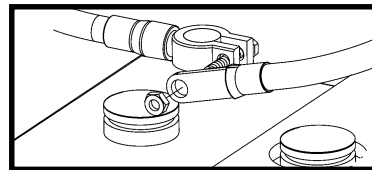


Butt Splice
P/N 263348

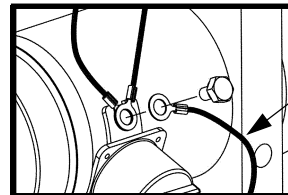
WARNING

DISCONNECT GROUND CABLE FROM BATTERY TERMINAL PRIOR TO WORKING ON MOTOR PUMP ASSEMBLY.

1. Remove power from liftgate by disconnecting positive (+) power cable and negative (-) power cable from battery.

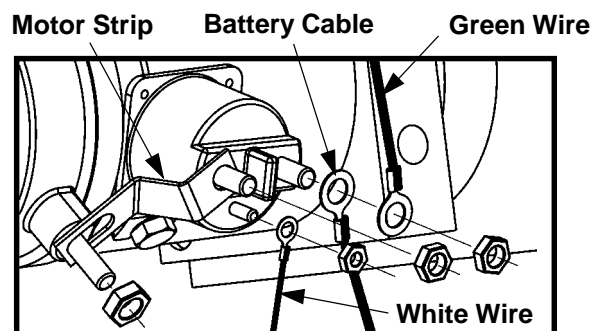


2. Install Red Wire Assembly terminal lug with grounding bolt.



Red Wire
Assembly

3. Remove 3 nuts and 2 wiring terminal lugs from Motor Solenoid posts. Next, remove nut from Motor Power Post. Remove and discard Motor Strip.



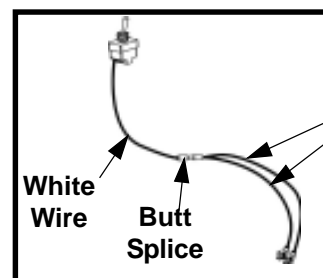
Motor Strip

Battery Cable

Green Wire

White Wire

4. Cut terminal lug from White Wire (Control Switch). Use Butt Splice to splice White Wire to the two White Extension Wire Assemblies. Crimp and heat shrink Butt Splice on both ends.

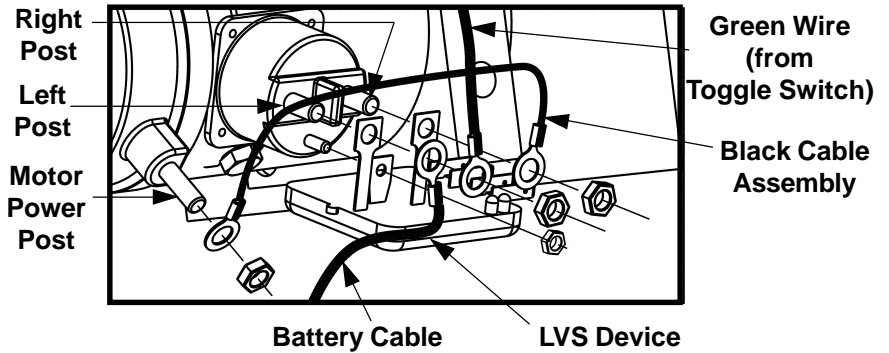


White Extension
Wire Assembly

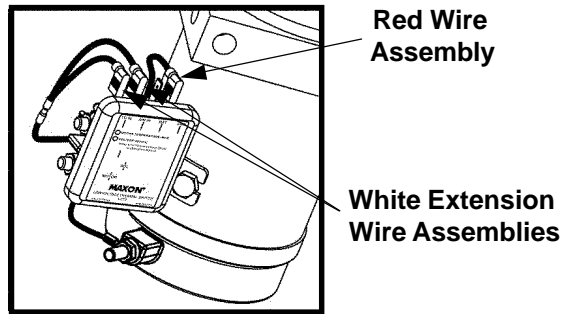
White
Wire

Butt
Splice

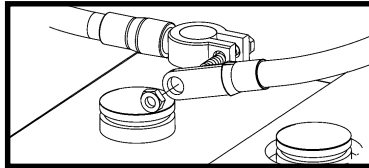
5. Install LVS Device on Motor Solenoid posts. Install existing Battery Cable & Green Wire terminal lug on left solenoid post (changed from right post). Connect Black Cable to right solenoid post and to Motor Power post. Re-install 3 nuts on Motor Solenoid posts and nut on Motor Power post.



6. Connect 2 White Wire (Extension Assemblies) terminal lugs to the "TD IN & SW IN" on LVS Device. Connect Red Wire Assembly terminal lug to "GND" on LVS Device.



7. Reconnect positive (+) power cable and negative (-) power cable to battery.



NOTE: Read and completely understand decals before operating the liftgate. Always keep decals clean and readable, and replace if damaged.

NOTE: Power Unit shown in illustration is for reference only.

8. Clean surface before applying decal. Install the Instruction Decals on reservoir and vehicle body as shown.

MAXON[®]
**LOW VOLTAGE SWITCH (LVS)
 INSTRUCTIONS**

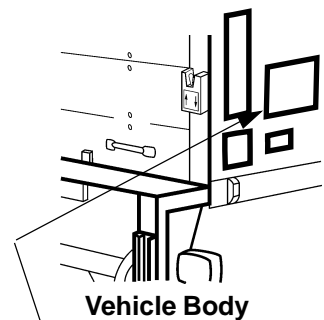
The LVS system protection device is attached to Pump Motor Starter Solenoid on this Liftgate. This LVS is designed to remove power from Liftgate when battery voltage is too low for reliable vehicle and Liftgate operation. If Liftgate will not operate, look at the LVS VOLTAGE LIGHT and follow the instructions shown on this decal.

VOLTAGE LIGHT (Green)
ON-Gate functions are normal
BLINKING RAPIDLY-Gate will shut down shortly
BLINKING SLOWLY-Gate shut down
OFF-No power or malfunctioning LVS

MANUAL OVERRIDE
 To override the LVS shut down mode, rapidly toggle Liftgate Control Switch 5 times between UP and center position. Override will let Liftgate operate for one more cycle.

BATTERY VOLTAGE RESET
 LVS resets when battery charging voltage is above 13 volts. Start truck engine to recharge battery.

PN 265923-01



Instruction Decal
 P/N 265923-01

