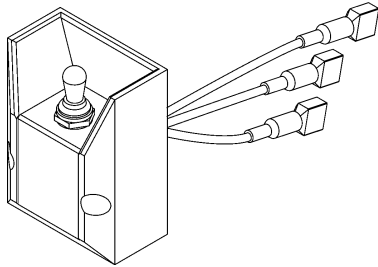
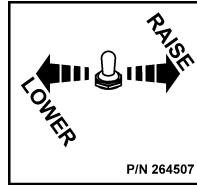


**INSTRUCTION, MTB 72-25C /-30C STREET SIDE
SWITCH CONTROL INSTALLATION KIT
P/N 280265-01 (POWER DOWN) &
P/N 280265-02 (GRAVITY DOWN)**



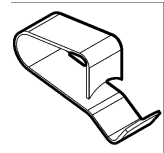
**SWITCH CONTROL P/N
264346
QTY. 1**



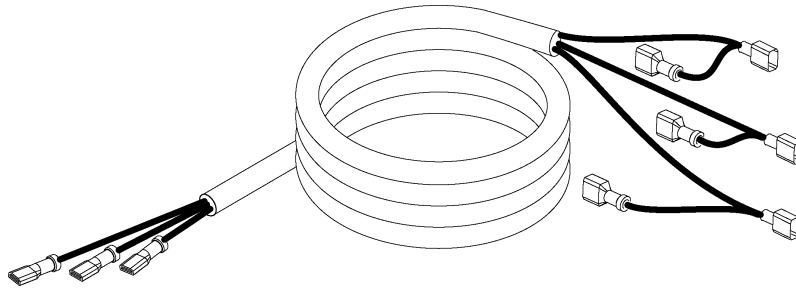
**DECAL, UP & DOWN P/N
264507
QTY. 1**



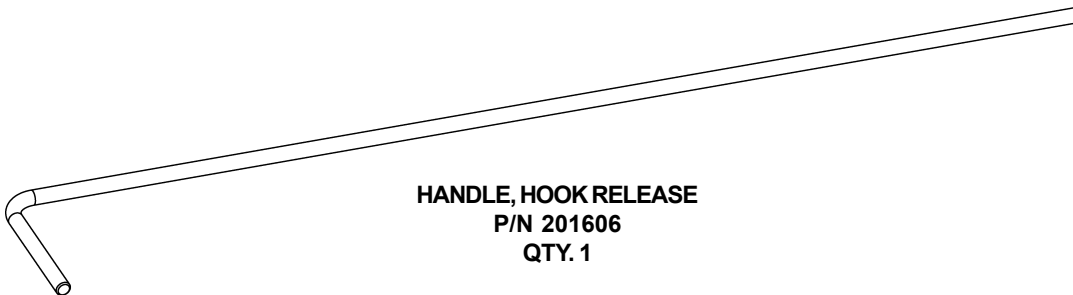
**SELF TAPPING SCREWS
P/N 900057-5
QTY. 2**



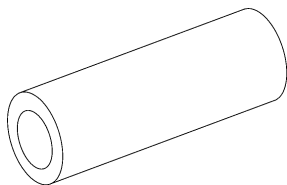
**FRAME CLIP
P/N 050079
QTY. 7**



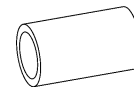
**CONTROL HARNESS,
P/N 280267
QTY. 1**



**HANDLE, HOOK RELEASE
P/N 201606
QTY. 1**



**HANDLE (GRIP)
P/N 055011
QTY. 1**



**ROUND TUBE
P/N 078503
QTY. 1**

1. Depress Handle (**FIG. 1B**) and push Control Switch (**FIG. 1C**) to LOWER Liftgate to the ground (**FIG. 1A**). Remove nut from positive (+) battery terminal connector to disconnect Power Cable (**FIG. 2**). Re-install nut on positive (+) battery terminal connector.

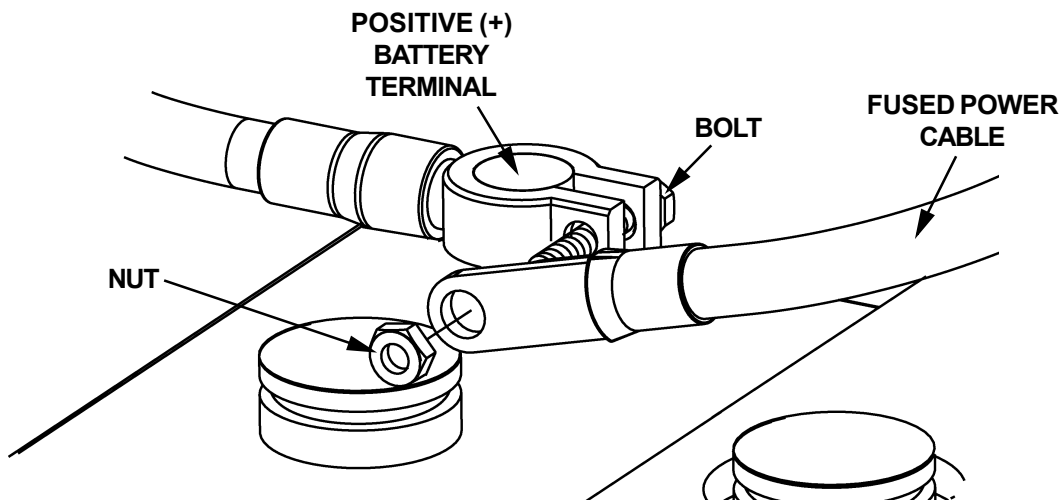
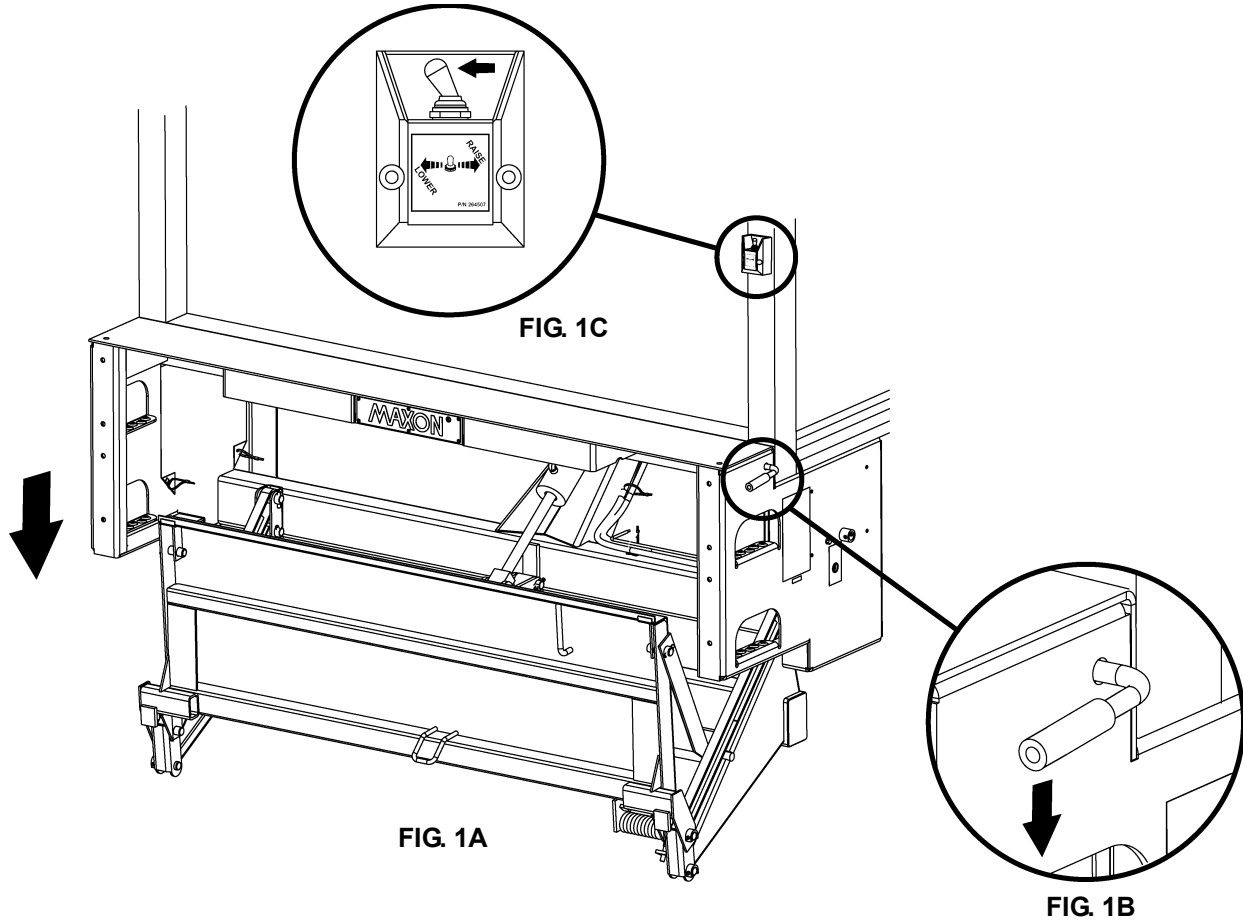


FIG. 2

2. Drill one 3/4" hole and two #21-size holes as shown in FIG. 3.

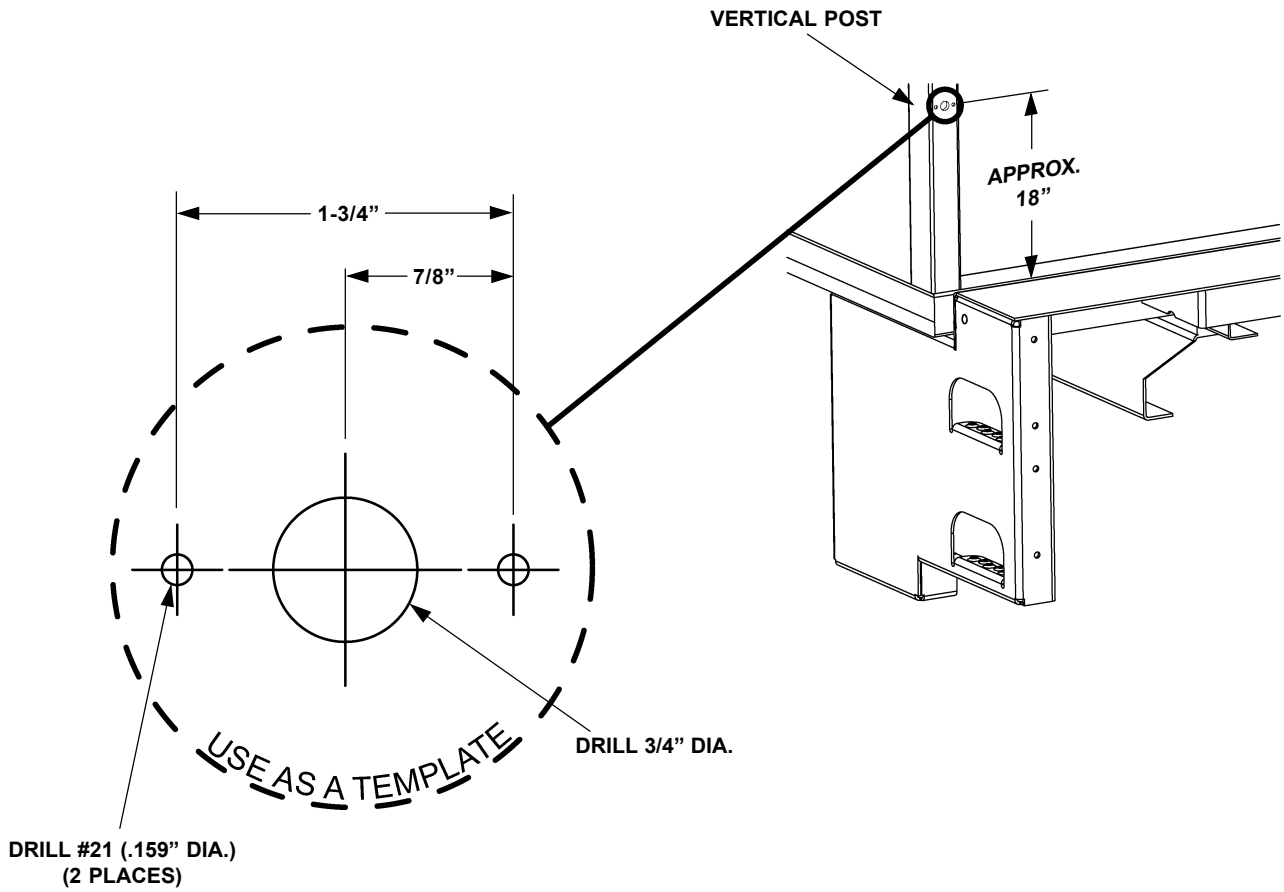


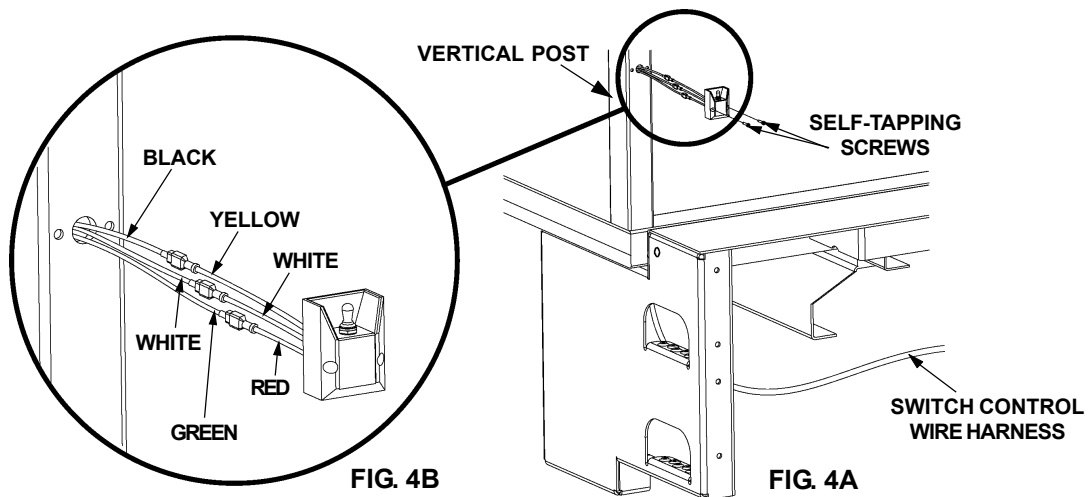
FIG. 3

NOTE: Liftgate must be lowered to the ground to gain access to underside of truck.

⚠ CAUTION

Always route electrical wires clear of moving parts, brake lines, sharp edges and exhaust systems. Avoid making sharp bends in wiring. Attach securely. If drilling is necessary, first check behind the drilling surface so you do not damage any fuel lines, vent lines, brake lines or wires.

3. Route Switch Control Wiring Harness up through the inside of the vertical post (**FIG. 4A**) and out the 3/4" hole from the previous step. Connect Switch Control Wiring to wiring harness as shown in **FIG. 4B**. Push extended wiring back into the 3/4" hole in vertical post until Switch Control touches the post. Attach Switch Control to vertical post with 2 self-tapping screws.



4. Mount Switch Control Wiring Harness along bottom side of truck body with Cable Clips (**FIG. 5**).

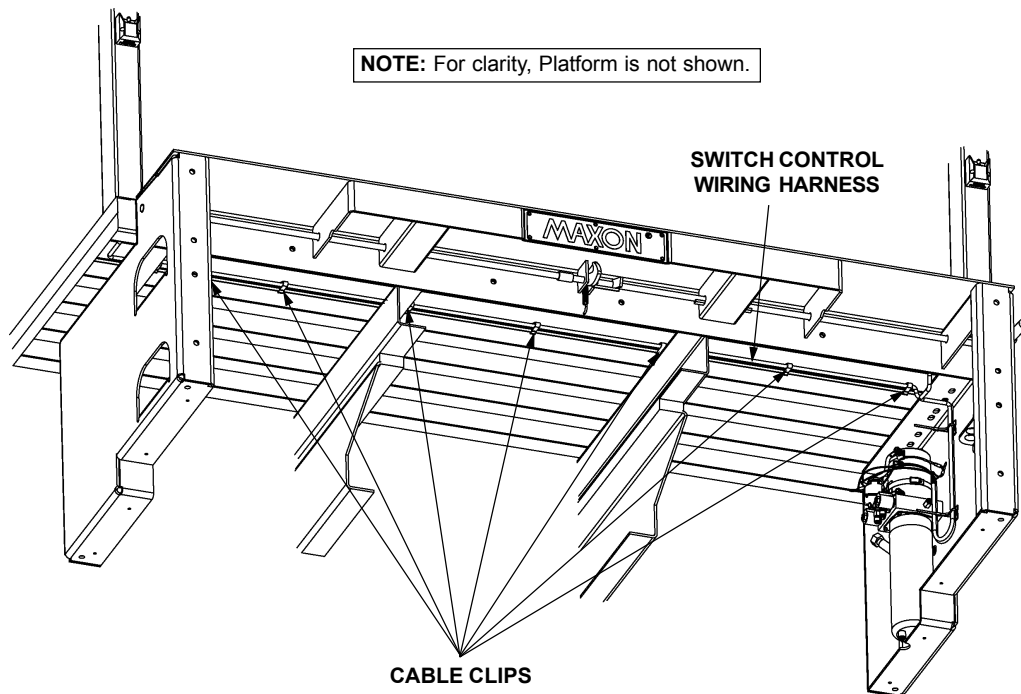


FIG. 5

5. Remove 2 self-tapping screws and Switch Control from vertical post as shown in **FIG. 6A**. Disconnect Switch Control from wiring harness (**FIG. 6B**). Tape wiring pigtail to truck body to prevent it from falling inside vertical post.

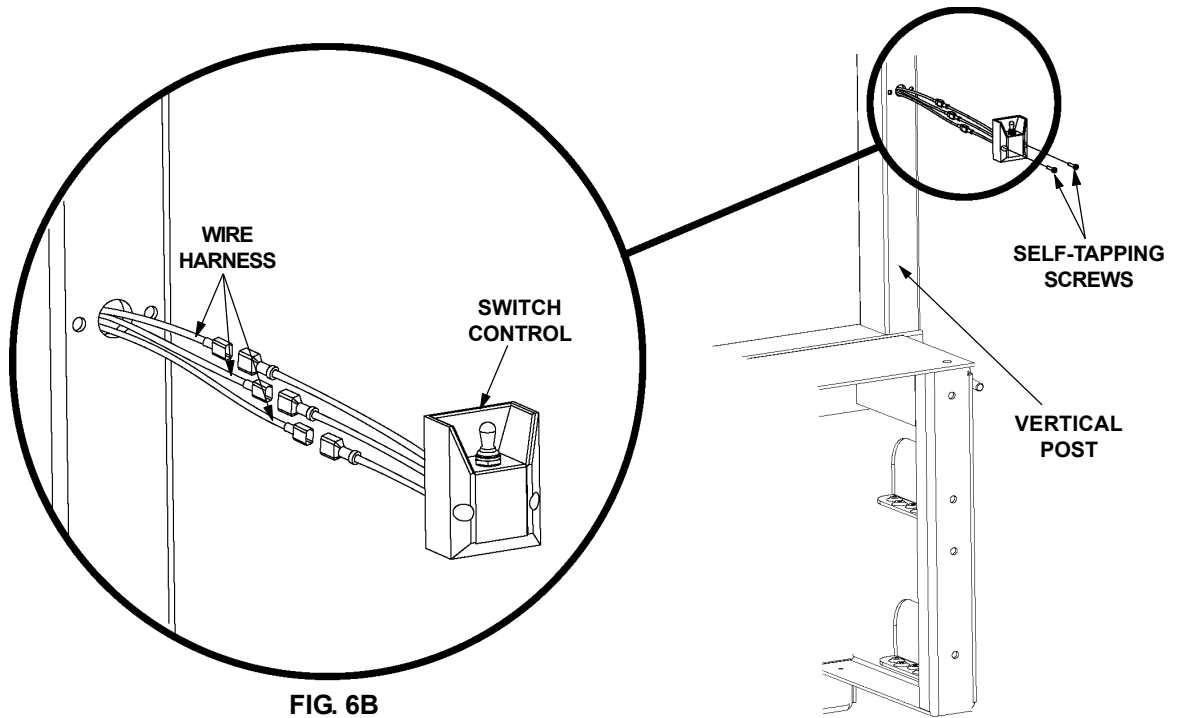


FIG. 6B

FIG. 6A

6. Route Switch Control Wiring Harness, from Installation Kit, up through the inside of the vertical post and out 3/4" hole as shown in **FIG. 7**. Connect Switch Control Wiring Harness to existing wiring harness and Switch Control (**FIG. 7**). Push extended wiring back into the 3/4" hole in vertical post until Switch Control touches the post. Attach Switch Control to vertical post with 2 self-tapping screws.

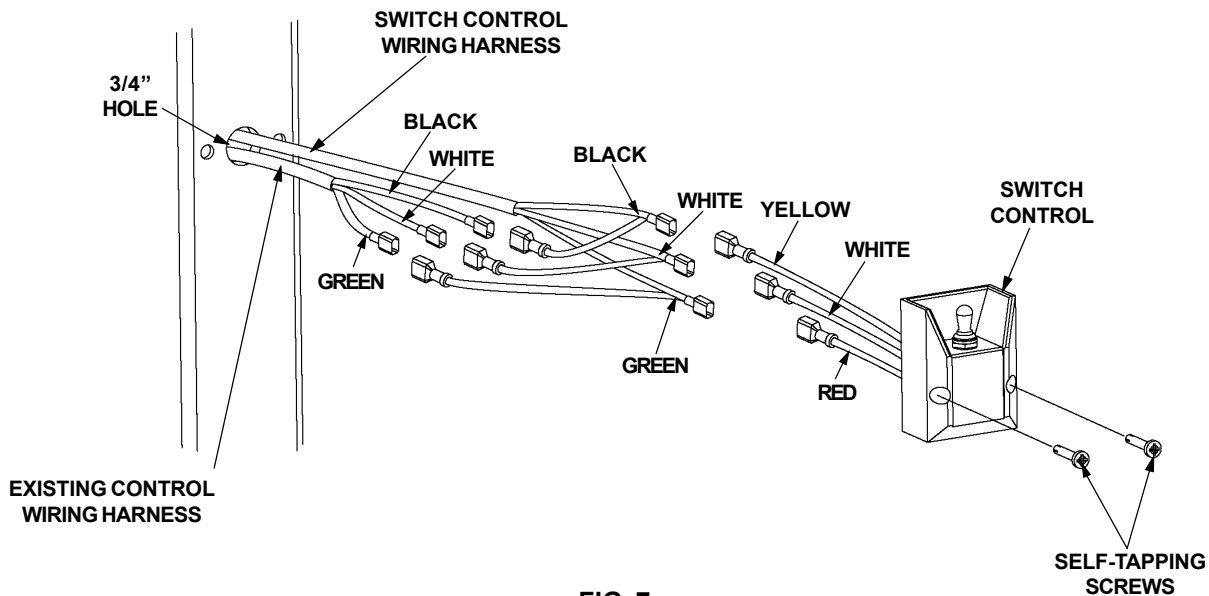


FIG. 7

7. Insert Control Rod Assembly, located under Extension Plate (FIG. 8), into socket.

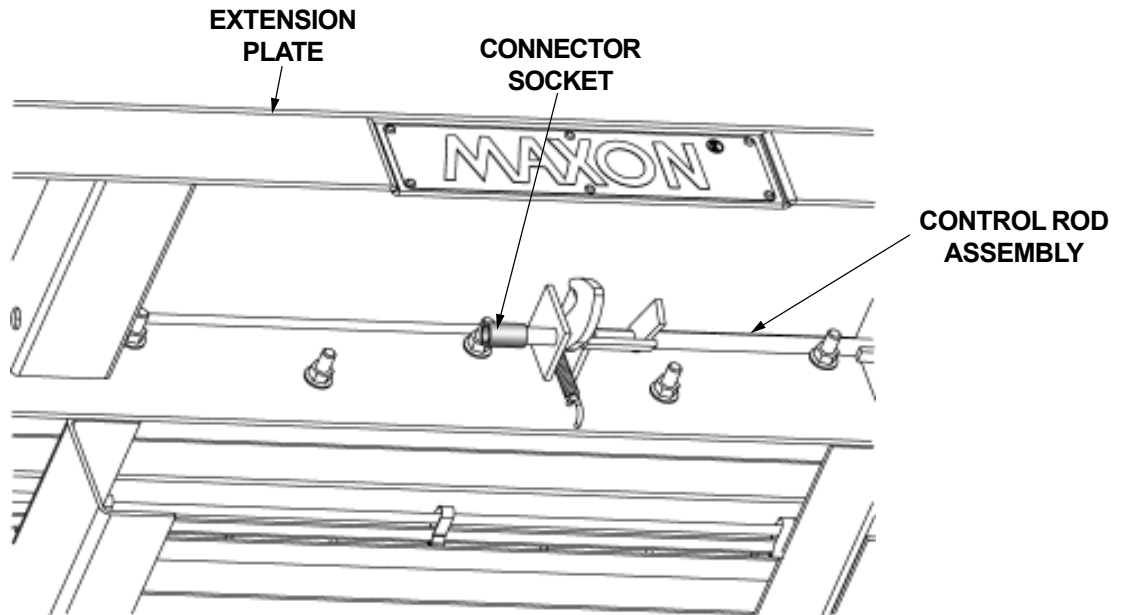


FIG. 8

8. Insert Street Side Control Handle rod through Side Plate on Street Side of Liftgate and into open side of Socket (FIG. 8). Move Socket and Control Handle rod until both rods meet in the middle inside Socket. Position the Street Side Control Handle at a 5° angle below Extension Plate (FIG. 9B) before welding. Weld both rods to Socket as shown in FIG. 9A.

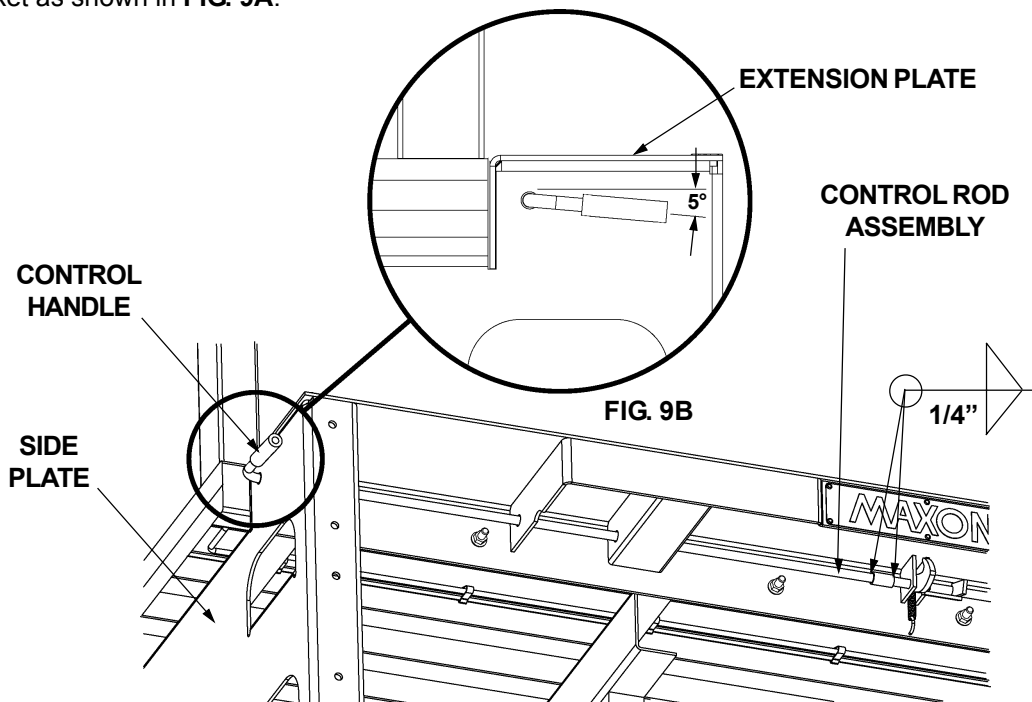


FIG. 9A

9. Remove nut from positive (+) battery terminal connector to reconnect Power Cable (**FIG. 10**). Connect Power Cable to the positive (+) battery terminal connector (**FIG. 10**). Install and tighten nut.

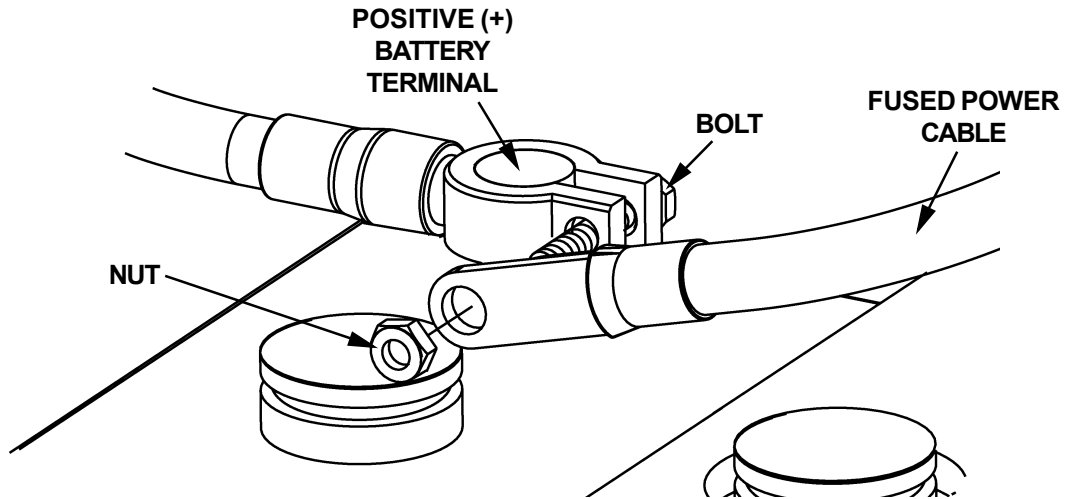


FIG. 10

10. To verify new Street Side Control Switch operates correctly, depress Handle (**FIG. 11A**) and push Control Switch (**FIG. 11B**) to LOWER Liftgate to the ground. Push Control Switch (**FIG. 11C**) to RAISE Liftgate.

