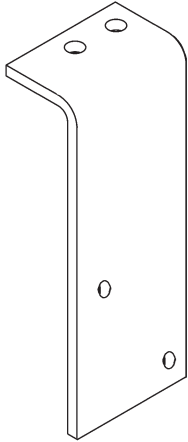
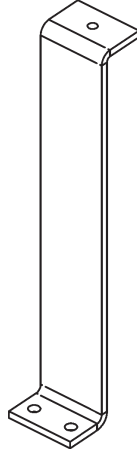


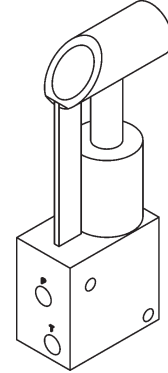
## INSTRUCTION, GPTLR POWER DOWN HAND PUMP KIT GPTLR KIT P/N 283332-01



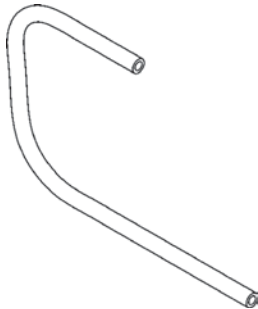
**HAND PUMP  
MOUNT BRACKET**  
P/N 282381-01  
QTY. 1



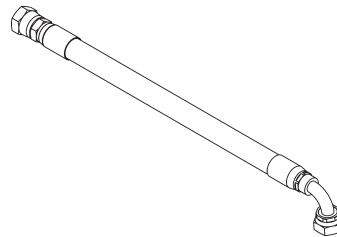
**HAND PUMP HANDLE  
MOUNT BRACKET**  
P/N 282329-01  
QTY. 2



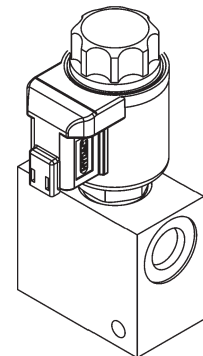
**HAND PUMP,  
SAE #4 PORTS**  
P/N 266588-01  
QTY. 1



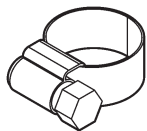
**HOSE ASSEMBLY, 3/8,"  
LP, 26" LG**  
P/N 251855-03  
QTY. 1



**HOSE ASSEMBLY (15-3/4" LG),  
3/8" MP, SAE #6**  
P/N 282389-01  
QTY. 2



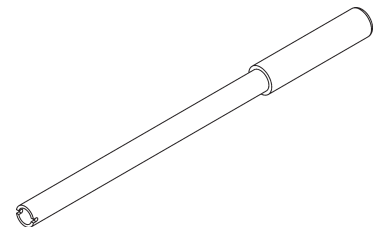
**LOCK VALVE,  
WITH OVERRIDE**  
P/N 283333-03  
QTY. 1



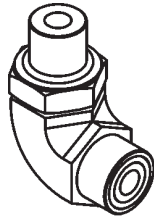
**HOSE CLAMP,  
SCREW**  
P/N 251854  
QTY. 2



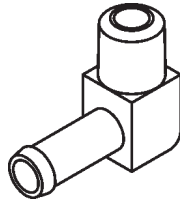
**SPRING CLIP  
HOLDER**  
P/N 227681  
QTY. 2



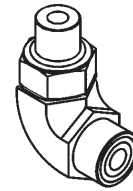
**HAND PUMP HANDLE**  
P/N 251407-02  
QTY. 1



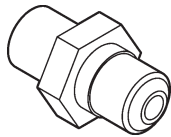
**ELBOW, SAE #6  
9/16"-18 O-RING MALE TO  
11/16"-16 FS MALE  
P/N 906707-01  
QTY. 1**



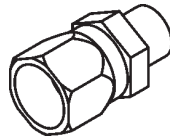
**ELBOW, 90 DEGREE  
1/4M-3/8"  
P/N 251853  
QTY. 1**



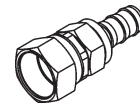
**ELBOW, STRAIGHT  
THREAD  
P/N 906818-01  
QTY. 1**



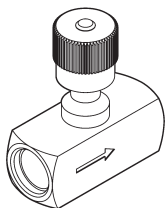
**ADAPTER  
1/4" O-RING  
P/N 906756-01  
QTY. 1**



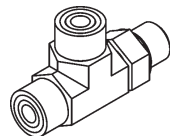
**FITTING, SAE #6  
STRAIGHT O-RING  
P/N 906751-01  
QTY. 1**



**FITTING, #6  
906817-01  
QTY. 1**



**NEEDLE VALVE,  
ADJUSTABLE, SAE #6  
P/N 906739-01  
QTY. 1**



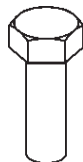
**BRANCH TEE,  
SAE #6, O-RING  
P/N 906754-01  
QTY. 1**



**LOCK NUT, 5/16"-18  
P/N 901001  
QTY. 2**



**HEX NUT, THIN HEAD  
1/4"-20  
P/N 901016-2  
QTY. 2**



**CAP SCREW,  
5/16"-18 X 3/4" LG, GR8  
P/N 900009-3  
QTY. 2**



**SOCKET SCREW,  
1/4"-20 X 1-3/4" LG, GR8  
P/N 900025-7  
QTY. 2**



**FLAT WASHER, 1/4"**  
**P/N 902000-2**  
**QTY. 2**



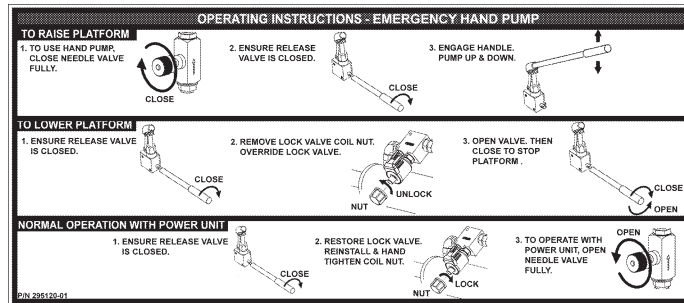
**RIVET**  
**3/16" DIA. X .565" DOME**  
**P/N 904002-2**  
**QTY. 4**



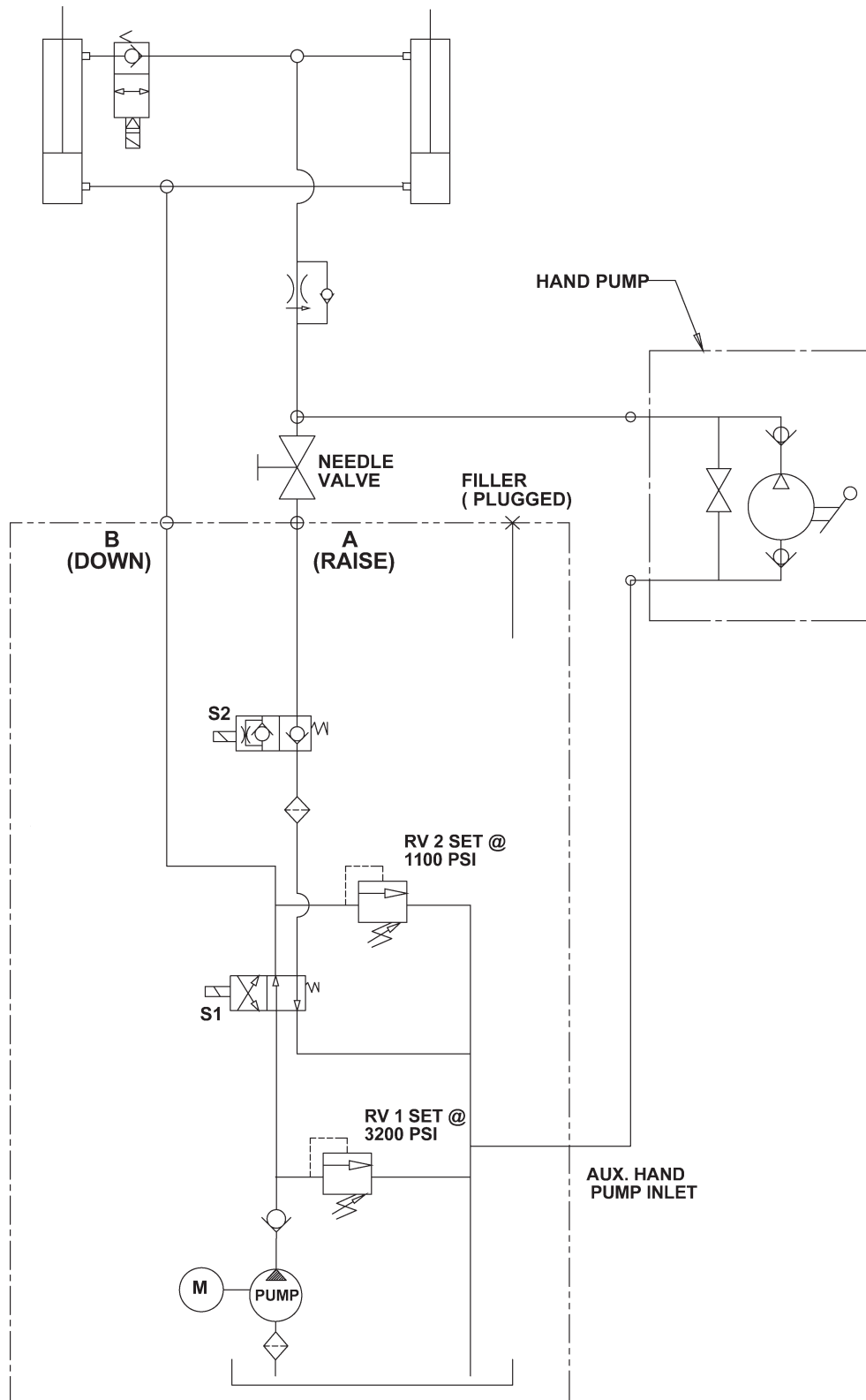
**RIVET**  
**5/16" DIA. X .415" DOME**  
**P/N 904004-2**  
**QTY. 2**



**PLASTIC TIE,**  
**7" LG (50 LB)**  
**P/N 205780**  
**QTY. 2**

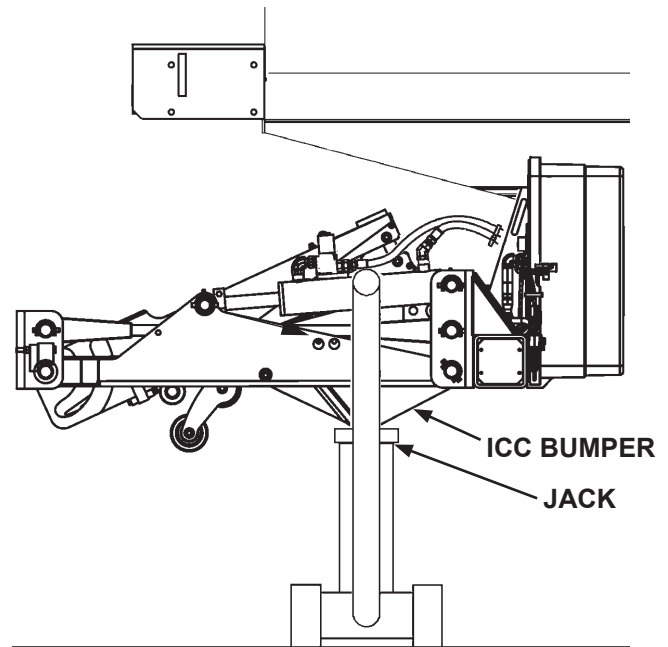


**PUMP OPERATION DECAL**  
**P/N 295120-01**  
**QTY. 1**



**GPTLR POWER DOWN HAND PUMP HYDRAULIC SCHEMATIC  
FIG. 4-1**

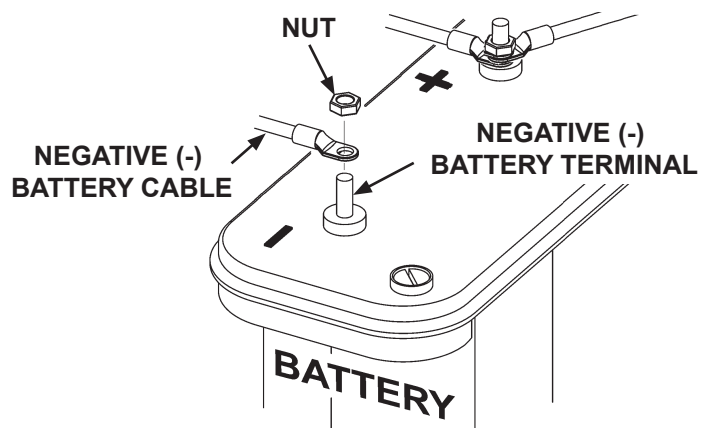
1. Lower the platform to a comfortable work height (**FIG. 5-1**). Then, use jack under the ICC bumper to support the platform (**FIG. 5-1**). Refer to **Operation Manual** for detailed operating instructions.



**SUPPORTING PLATFORM WITH JACK**  
**FIG. 5-1**

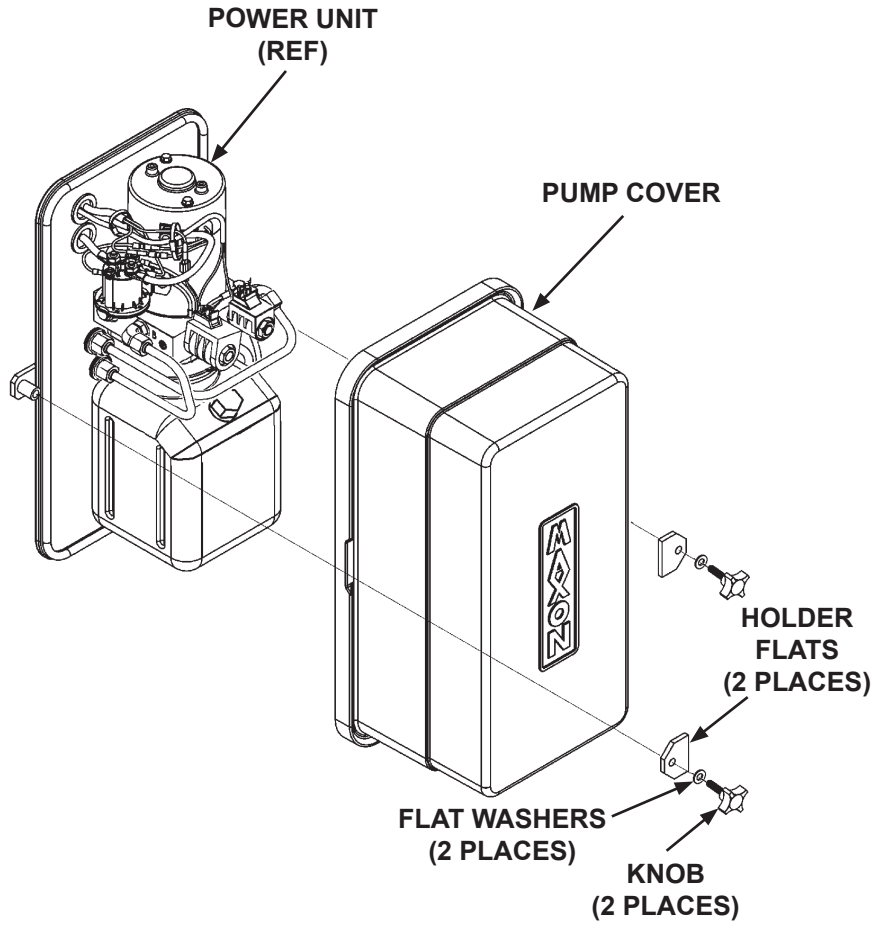
**⚠ WARNING**  
To prevent personal injury and equipment damage, make sure power is disconnected from Lift-gate while installing hydraulic electrical parts.

2. Disconnect power from Liftgate by disconnecting negative (-) battery cable from negative (-) battery terminal (**FIG. 5-2**).



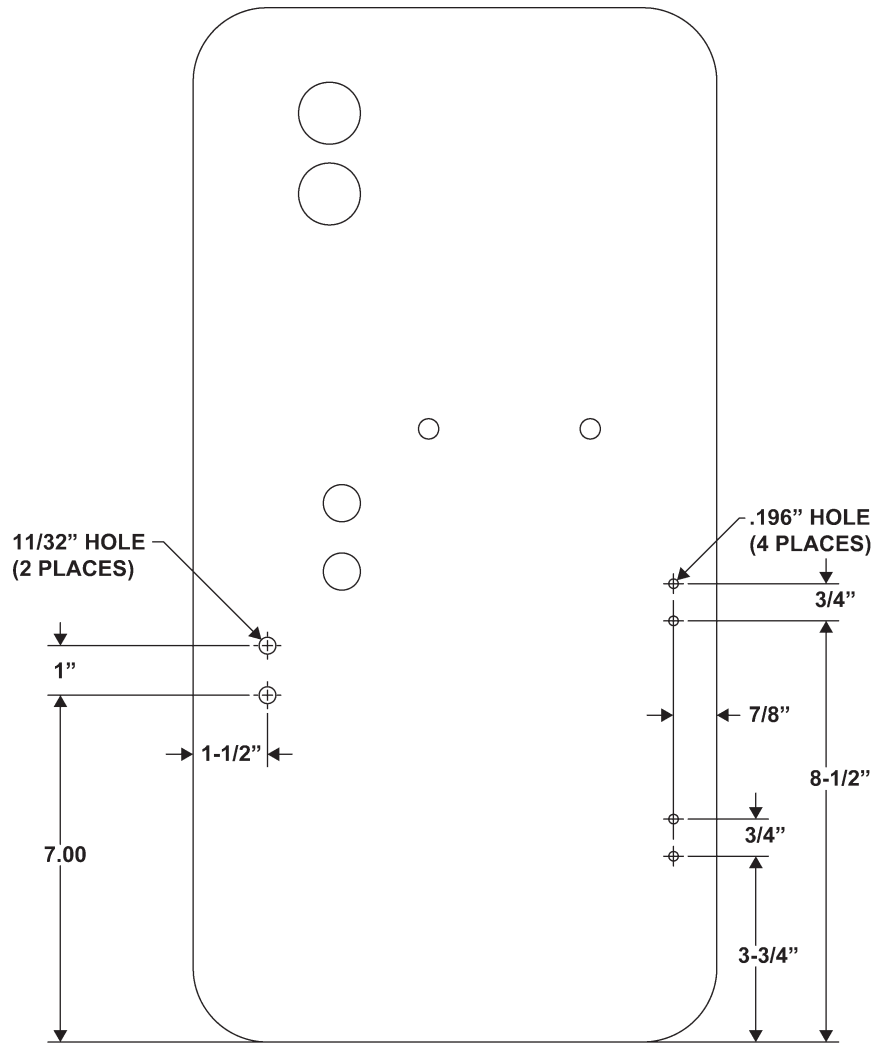
**DISCONNECTING POWER**  
**FIG. 5-2**

3. Unfasten and remove pump cover (FIG. 6-1).



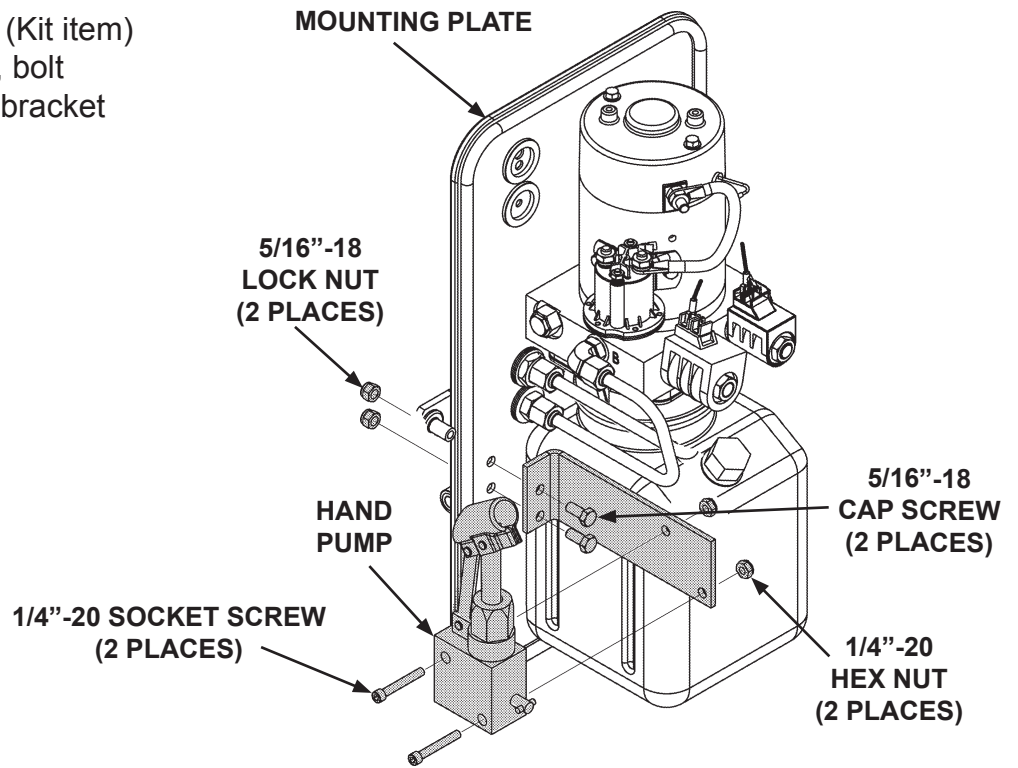
**UNFASTENING PUMP COVER**  
**FIG. 6-1**

4. Measure and mark holes, on pump mounting plate, for hand pump bracket and for the spring clip brackets (**FIG. 7-1**).
5. Use 11/32" bit to drill 2 holes for the hand pump bracket (**FIG. 7-1**) and #10 bit to drill 4 holes for the for the spring clip brackets (**FIG. 7-1**).



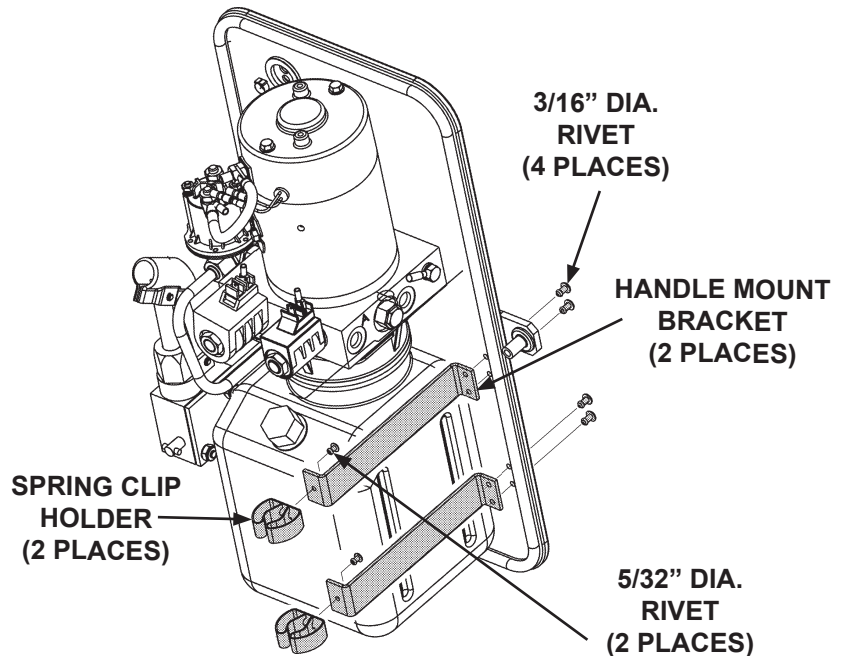
**HOLE PATTERNS FOR MOUNTING BRACKETS  
& SPRING CLIP BRACKETS  
FIG. 7-1**

6. Bolt hand pump bracket (Kit item) to mounting plate. Then, bolt hand pump (Kit item) to bracket (FIG. 8-1).



**BOLTING ON HAND PUMP BRACKET & HAND PUMP**  
FIG. 8-1

7. Rivet each handle mount bracket in the holes on the mounting plate (FIG. 8-2).
8. Rivet the spring clips to the handle mount brackets (FIG. 8-2).



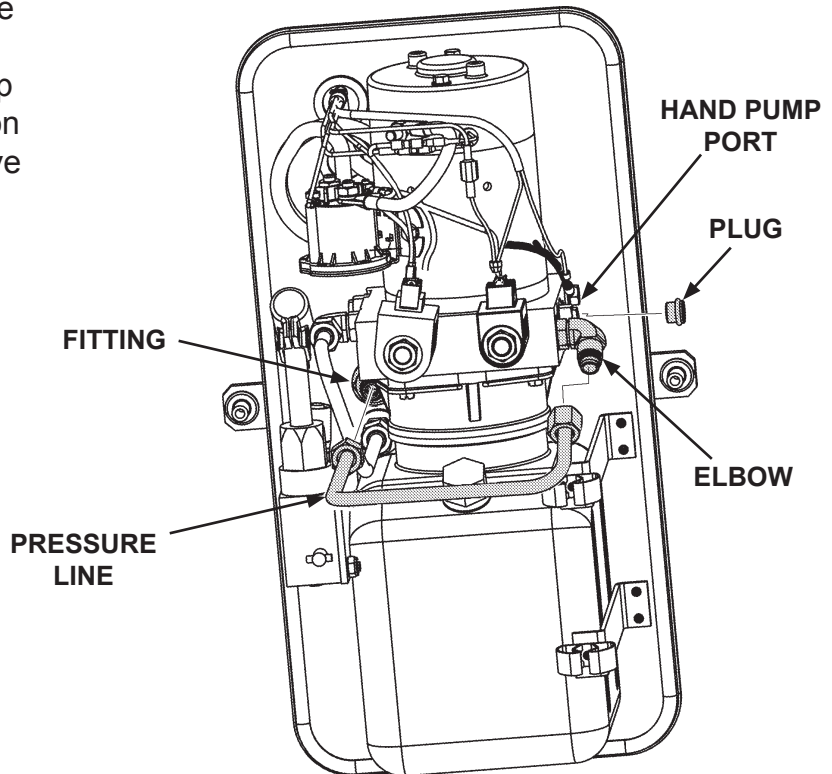
**RIVETING HANDLE MOUNT BRACKETS & SPRING CLIPS**  
FIG. 8-2



## CAUTION

Keep dirt, water and other contaminants from entering the hydraulic system. Before opening the hydraulic fluid reservoir filler cap, drain plug and hydraulic lines, clean up contaminants that can get in the openings. Also, protect the openings from accidental contamination.

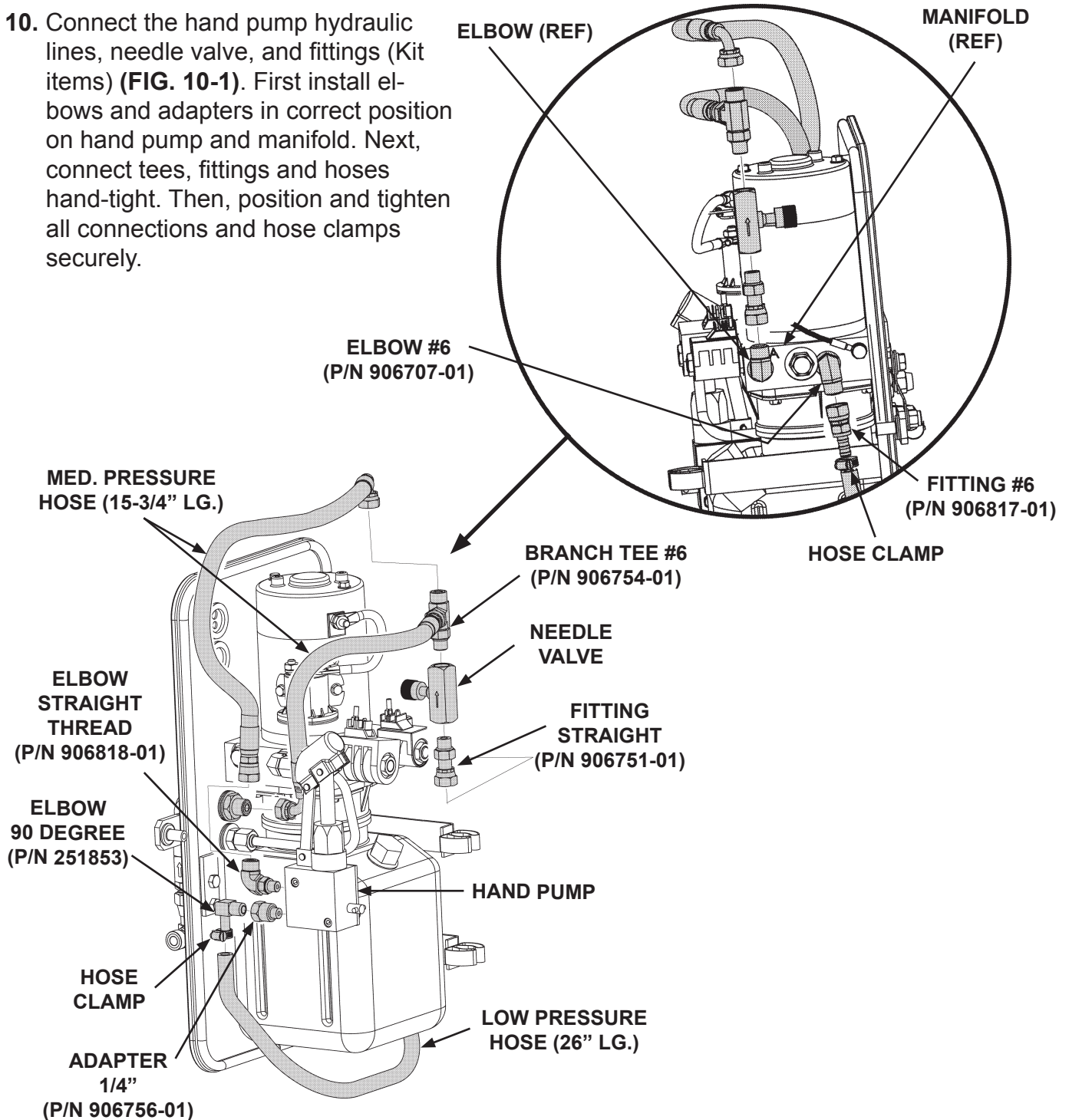
9. Place a 5-gallon bucket under the pump to catch fluid. Disconnect pressure line from fitting on pump mounting plate and from elbow on manifold (**FIG. 9-1**). Then, remove plug from hand pump port.



**DISCONNECTING LINE & REMOVING PLUG  
FIG. 9-1**

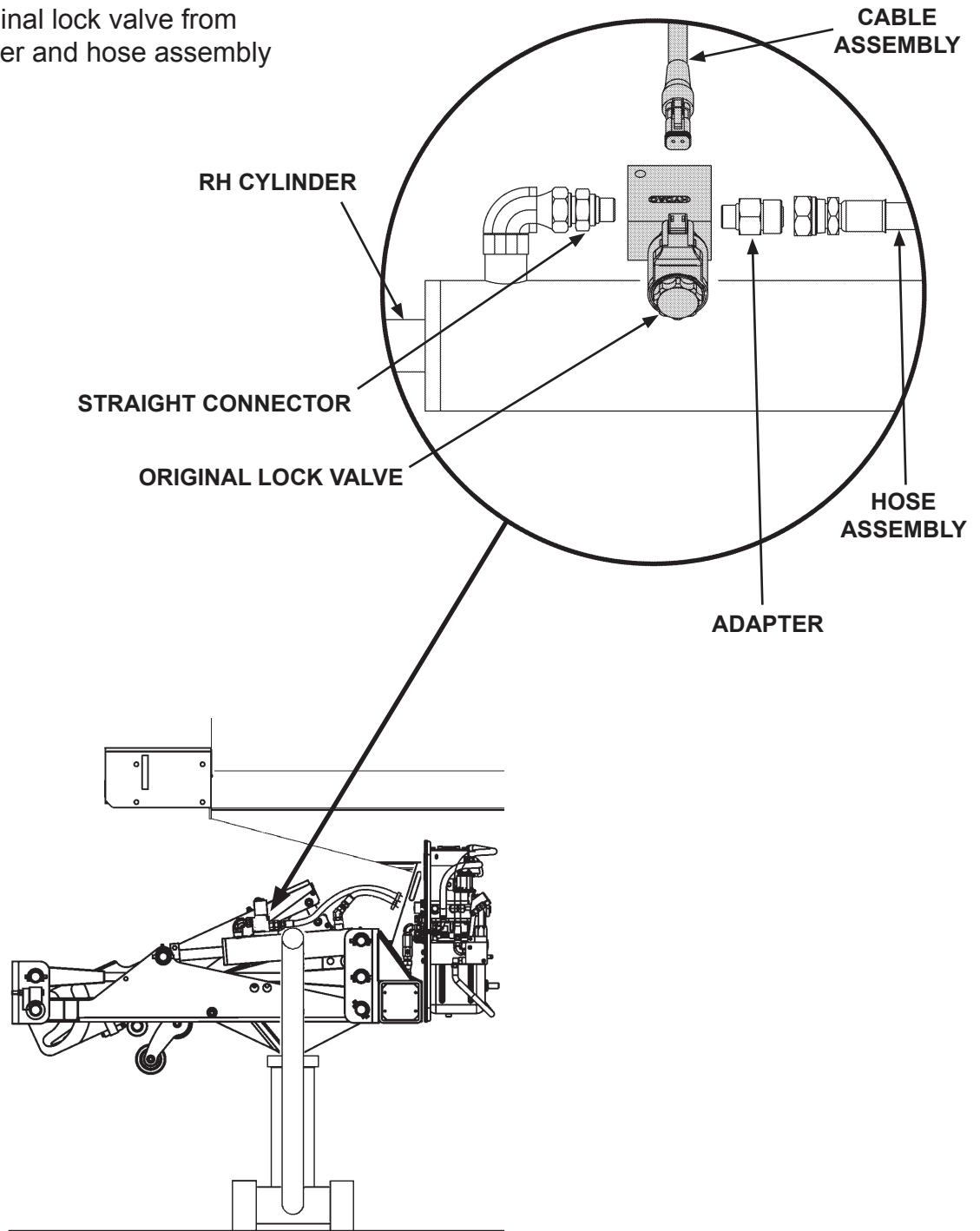
**NOTE:** Position the needle valve so the flow arrow points to the tee (Kit item). The hand pump will not work if the needle valve is reversed.

**10.** Connect the hand pump hydraulic lines, needle valve, and fittings (Kit items) (**FIG. 10-1**). First install elbows and adapters in correct position on hand pump and manifold. Next, connect tees, fittings and hoses hand-tight. Then, position and tighten all connections and hose clamps securely.



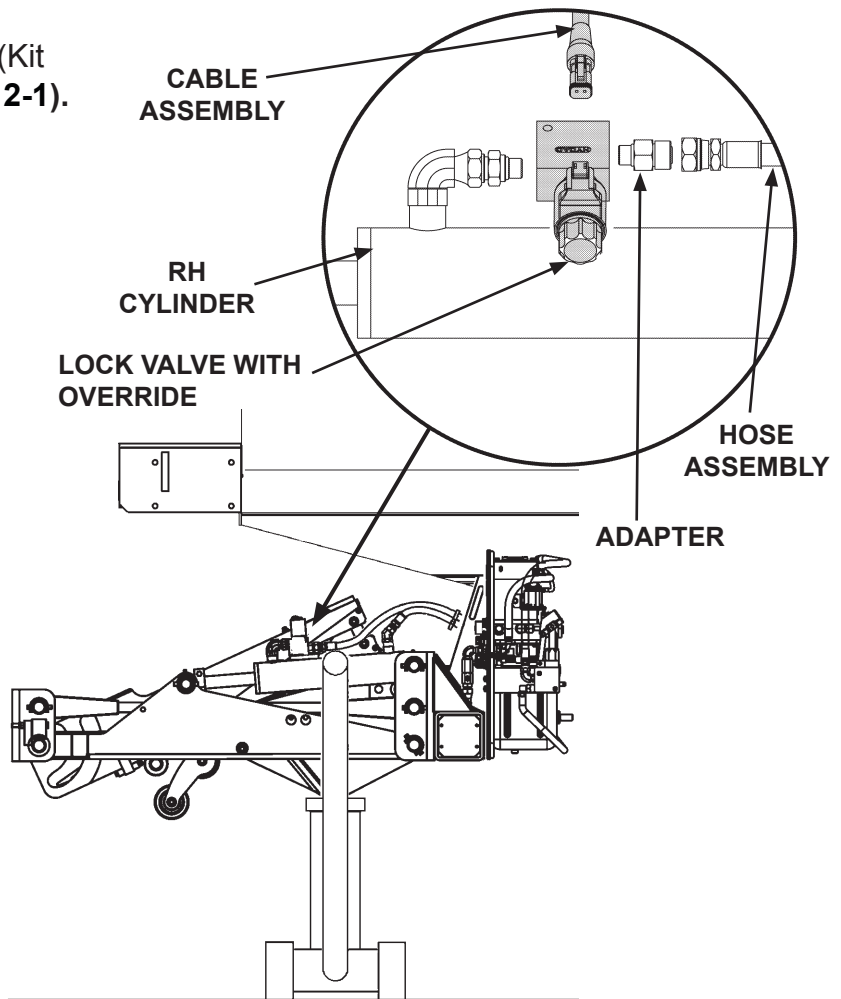
**CONNECTING HAND PUMP LINES & FITTINGS**  
**FIG. 10-1**

11. Remove original lock valve from RH lift cylinder and hose assembly (FIG. 11-1).



**REMOVING LOCK VALVE**  
**FIG. 11-1**

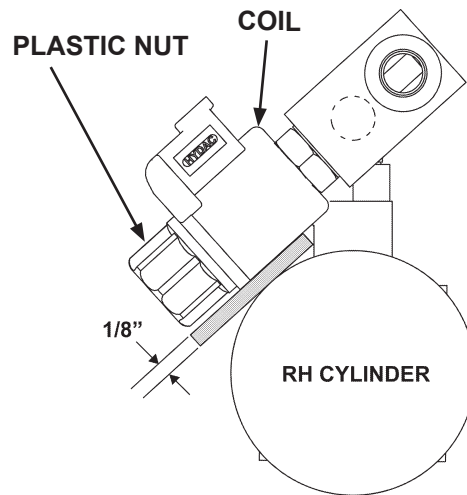
12. Install lock valve with override (Kit item) on RH lift cylinder (FIG. 12-1).



**INSTALLING LOCK VALVE WITH OVERRIDE  
FIG. 12-1**

**NOTE:** If 1/8" thick shim stock is available, it can be used to set 1/8" clearance between lock valve coil and cylinder. The shim must be removed after tightening the lock valve in position.

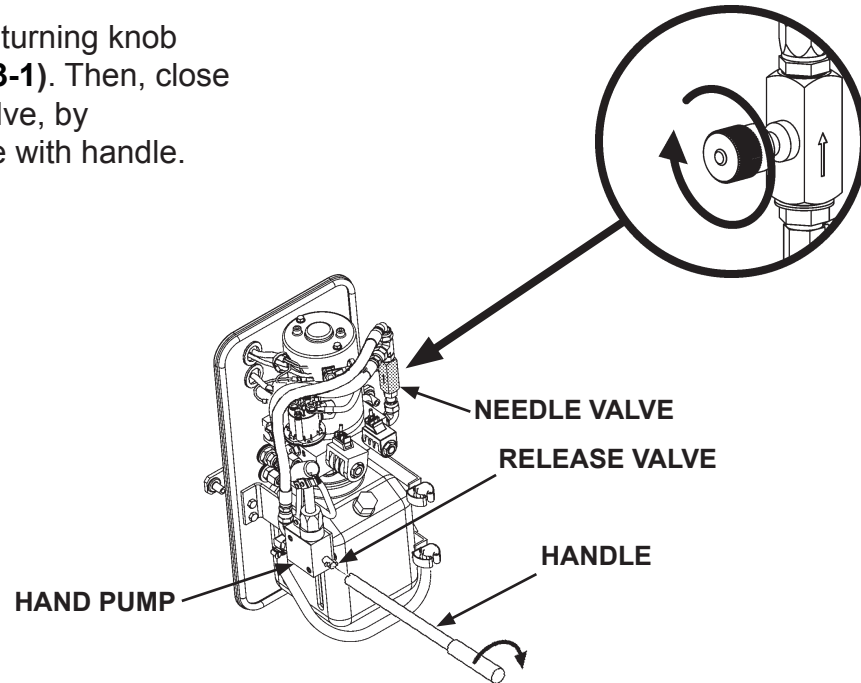
13. Position lock valve with 1/8" clearance from cylinder (FIG. 12-2). Tighten fittings and hose connections (FIG. 12-1).



**POSITIONING LOCK VALVE WITH CLEARANCE  
FIG. 12-2**

**NOTE:** Ensure pressure release valve is closed on the hand pump (turn clockwise) before raising platform.

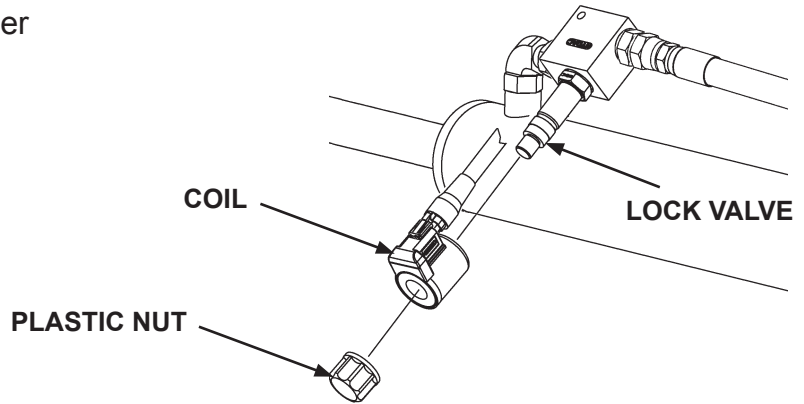
14. Close needle valve by turning knob fully clockwise (**FIG. 13-1**). Then, close hand pump release valve, by turning valve clockwise with handle.



**CLOSING NEEDLE VALVE & HAND PUMP  
RELEASE VALVE  
FIG. 13-1**

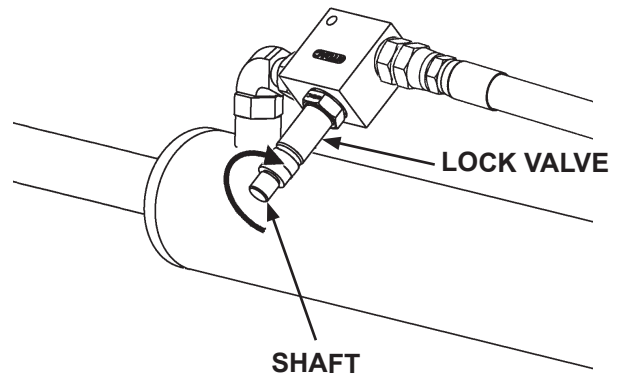
**NOTE:** Allow coil to hang from cable assembly until lock valve is reset (locked).

15. Remove plastic nut and slide coil from lock valve on RH lift cylinder (FIG. 14-1).



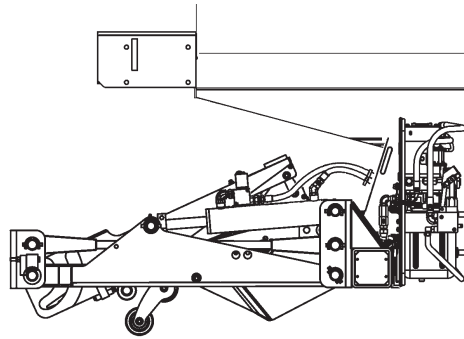
**REMOVING NUT & COIL FROM LOCK VALVE  
FIG. 14-1**

16. Ensure valve is closed to locked (reset) position by turning lock valve shaft fully clockwise (FIG. 14-2).



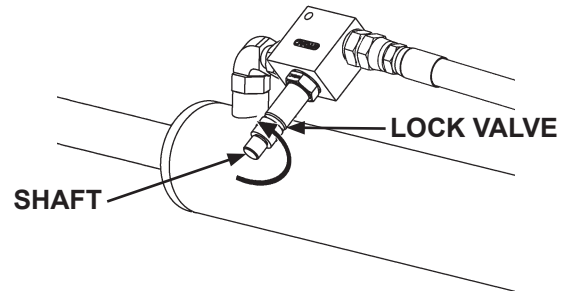
**ENSURING LOCK VALVE IS CLOSED  
FIG. 14-2**

17. Lower and remove floor jack (**FIG. 15-1**).



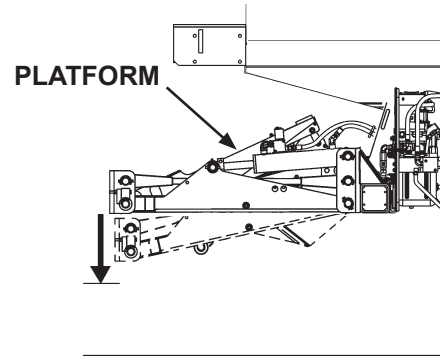
**JACK REMOVED**  
**FIG. 15-1**

18. Override (open) lock valve by turning shaft fully counterclockwise (**FIG. 15-2**).

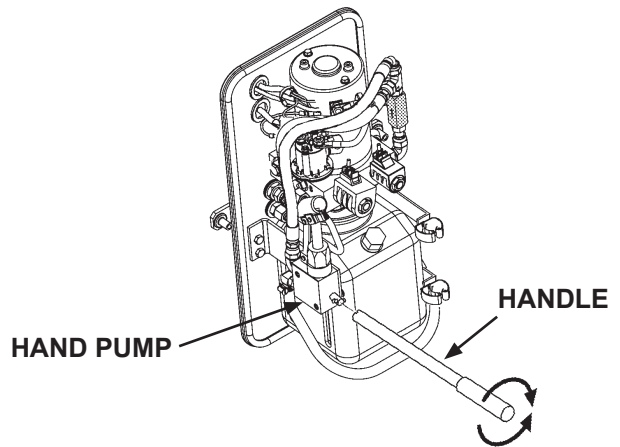


**OVERRIDING LOCK VALVE**  
**FIG. 15-2**

19. Lower platform 1/2 the distance to ground (**FIG. 16-1**) by turning hand pump release valve counterclockwise with handle (**FIG. 16-2**). Turn release valve fully clockwise to stop platform from lowering (**FIG. 16-2**).



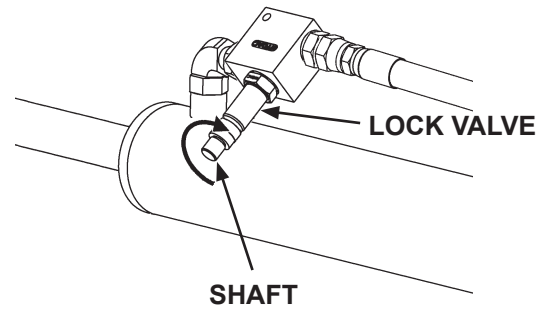
**LOWERING PLATFORM WITH HAND PUMP**  
**FIG. 16-1**



**OPENING/CLOSING RELEASE VALVE**  
**FIG. 16-2**

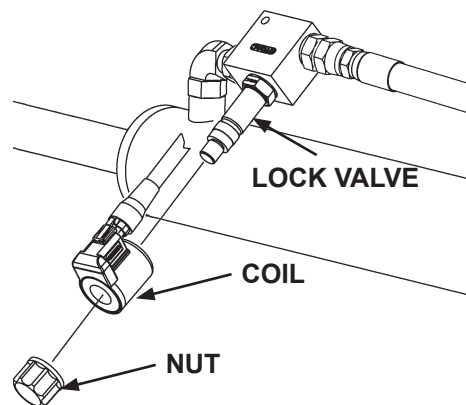


20. Reset (close) lock valve by turning valve fully clockwise, (FIG. 17-1) so that it locks.



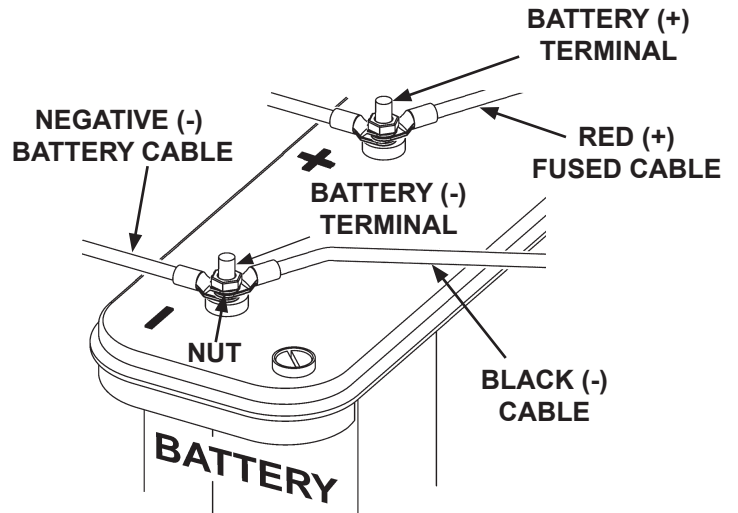
**RESETTING LOCK VALVE  
FIG. 17-1**

21. Reinstall coil and plastic nut (FIG.17-2).



**REINSTALLING COIL & NUT ON LOCK VALVE  
FIG. 17-2**

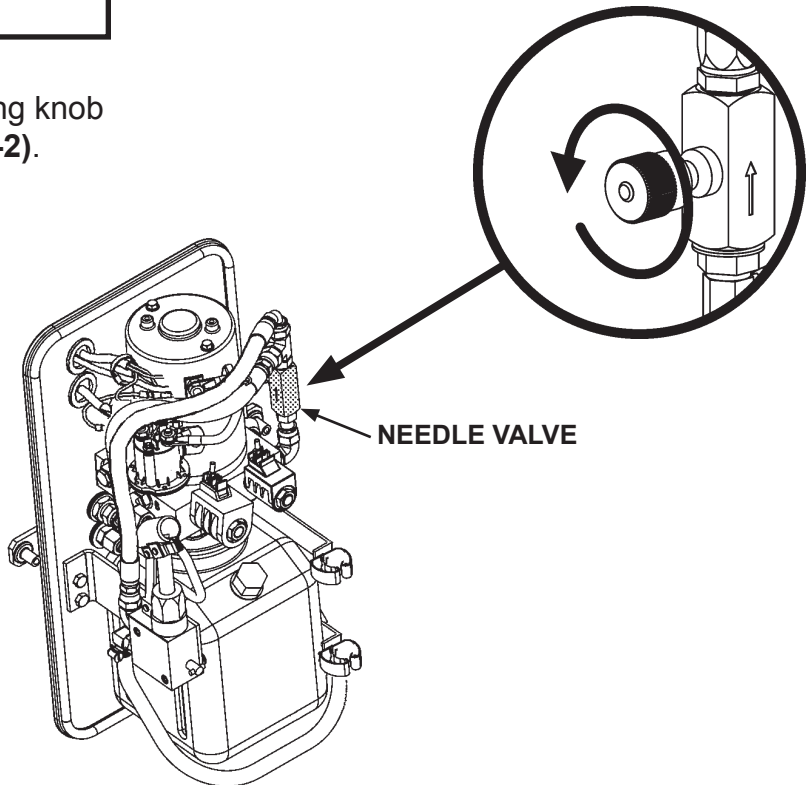
22. Reconnect the negative (-) battery cable to the negative (-) battery terminal (FIG. 18-1). Tighten nut.



RECONNECTING POWER  
FIG. 18-1

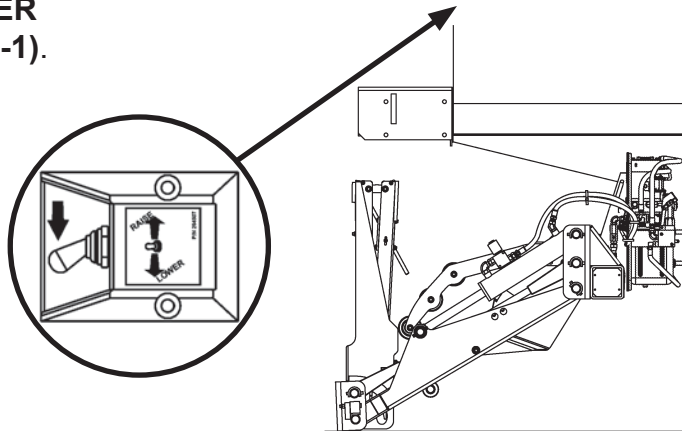
**CAUTION**  
The hand pump is only intended for stowing the platform if the power unit does not work. Do not use for repeated loading and unloading of vehicle.

23. Open the needle valve by turning knob fully counterclockwise (FIG. 18-2).



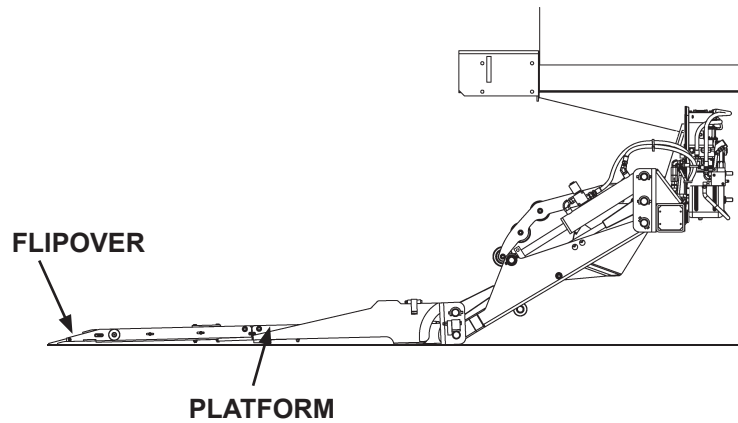
OPENING NEEDLE VALVE  
FIG. 18-2

24. Use the control switch to **LOWER** platform to the ground (**FIG. 19-1**).



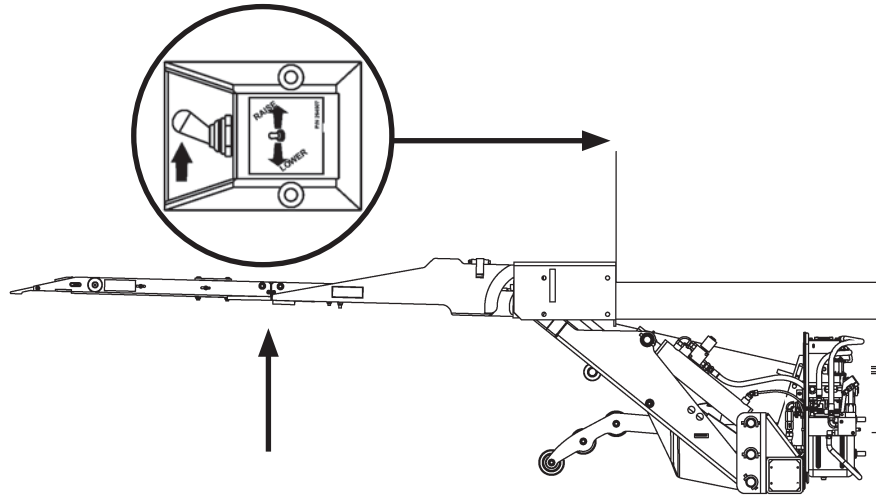
**LOWERING PLATFORM TO GROUND  
WITH CONTROL SWITCH  
FIG. 19-1**

25. Unfold platform and flipover (**FIG. 19-2**).



**UNFOLDING PLATFORM & FLIPOVER  
FIG. 19-2**

26. Use the control switch to **RAISE** platform to bed height (**FIG. 20-1**).

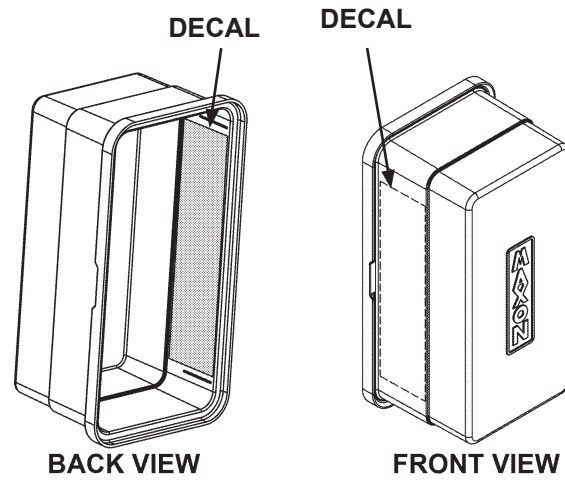


---

**RAISING PLATFORM TO BED HEIGHT  
WITH CONTROL SWITCH  
FIG. 20-1**

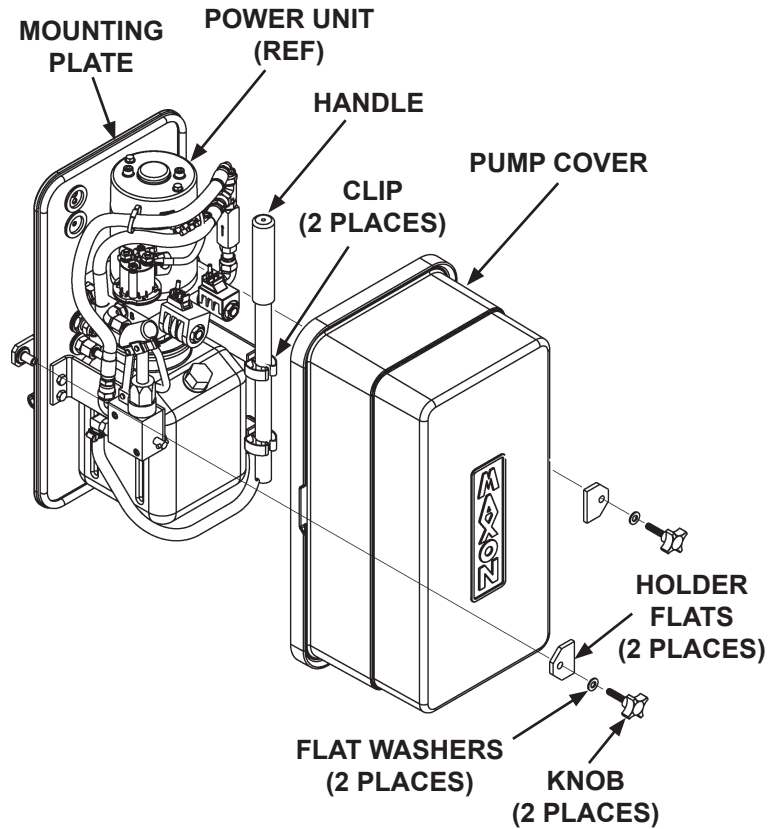
27. Repeat step 24 and step 26 until all air has been bled from the system.
28. Refer to the **GPTLR Maintenance Manual** for instructions on checking hydraulic fluid.

29. Place pump operation decal as shown in FIG. 21-1. Hand-tighten knobs.



**PLACING DECAL  
FIG. 21-1**

30. Stow the pump handle in the spring clips on pump mounting plate (**FIG. 22-1**).



**REINSTALLING PUMP COVER**  
**FIG. 22-1**

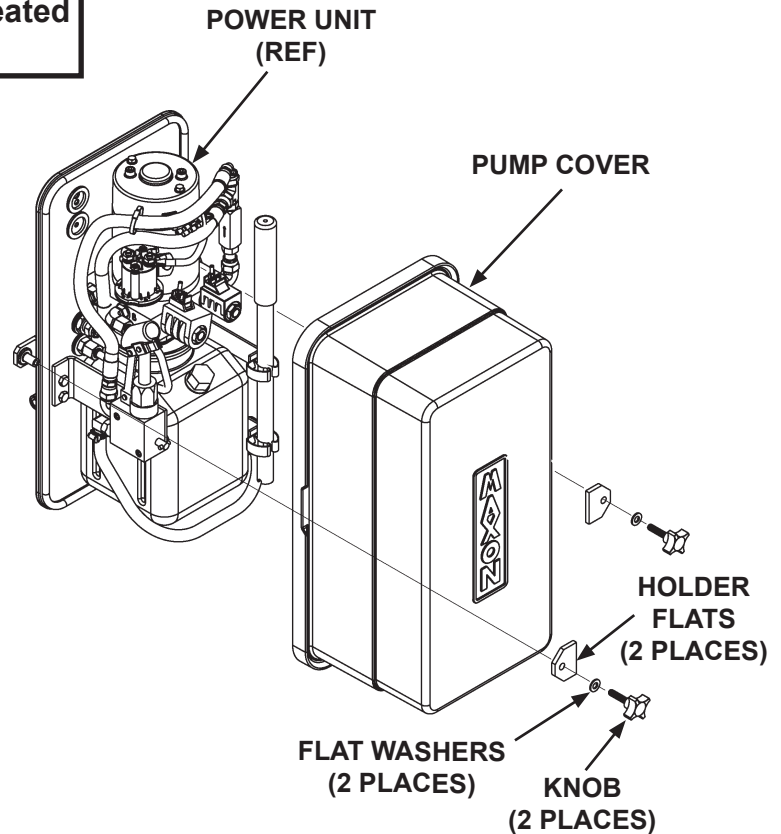
31. Reinstall and fasten pump cover (**FIG. 22-1**). Hand-tighten knobs.

## GPTLR HAND PUMP OPERATION INSTRUCTIONS

### CAUTION

The hand pump is only intended for stowing the platform if the power unit does not work. Do not use for repeated loading and unloading of vehicle.

1. Unfasten and remove pump cover (FIG. 23-1).

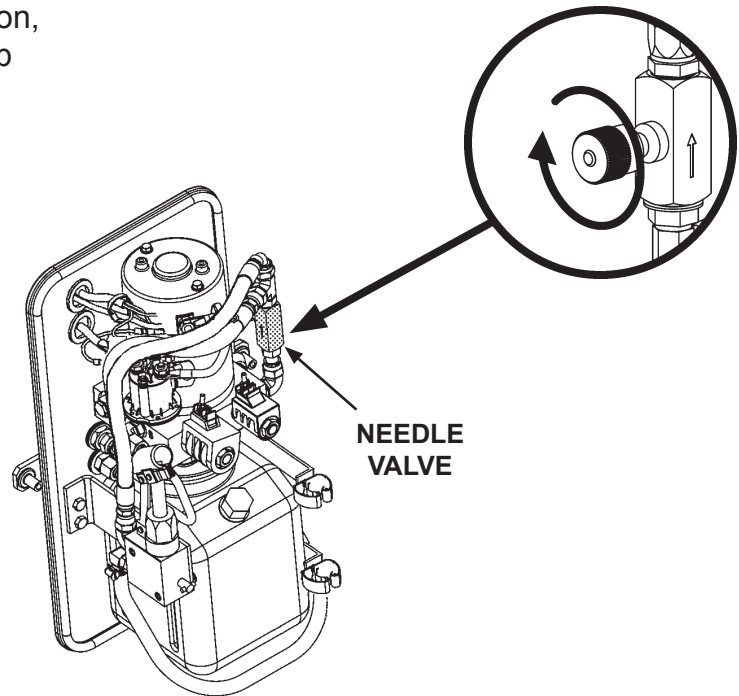


REMOVING PUMP COVER  
FIG. 23-1

## CAUTION

The manual override option is intended for emergency use only. Do not use for continuous operation.

2. To use hand pump for backup operation, close the needle valve by turning knob fully clockwise (FIG. 24-1).



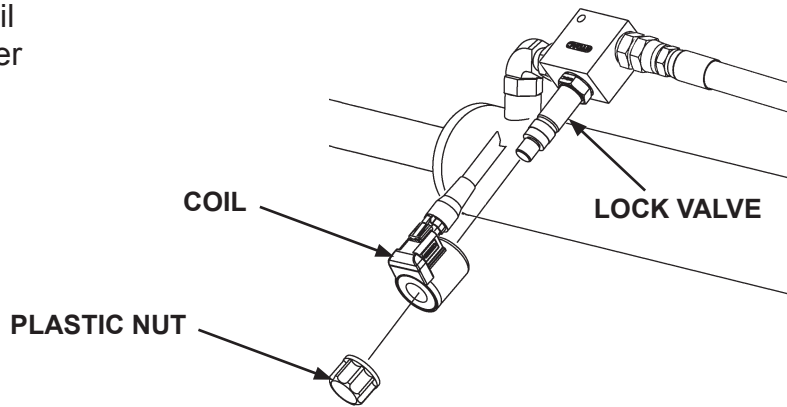
NEEDLE  
VALVE

CLOSING NEEDLE VALVE  
FIG. 24-1



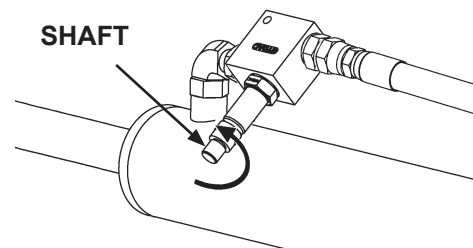
**NOTE:** Allow coil to hang from cable assembly when using hand pump during emergency or backup operation.

3. Remove plastic nut and slide coil from lock valve on RH lift cylinder (FIG. 24-1).



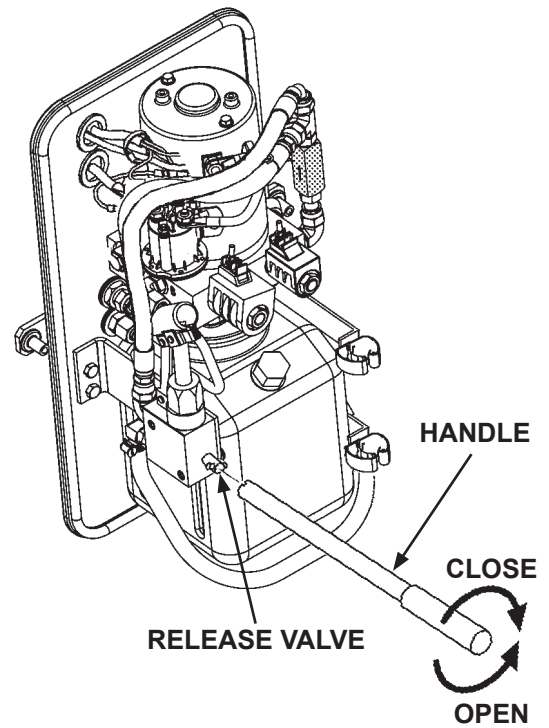
**REMOVING NUT & COIL FROM LOCK VALVE  
FIG. 25-1**

4. Override (open) lock valve by turning shaft fully counterclockwise (FIG. 25-2).

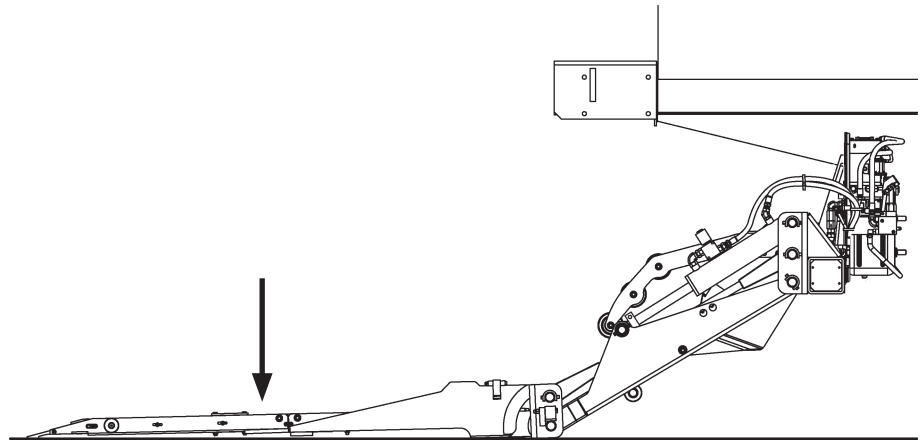


**OVERRIDING LOCK VALVE  
FIG. 24-2**

5. Lower the platform by opening the hand pump release valve 1/2 turn counterclockwise with the handle (FIGS. 25-1 & 25-2). Close the release valve (FIG. 25-1) by turning fully clockwise to stop platform from lowering (FIG. 25-2).

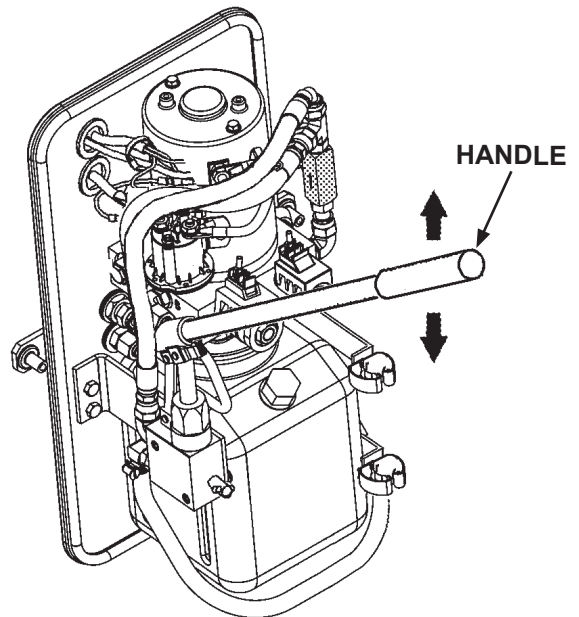


**OPENING RELEASE VALVE  
TO LOWER PLATFORM  
FIG. 25-1**

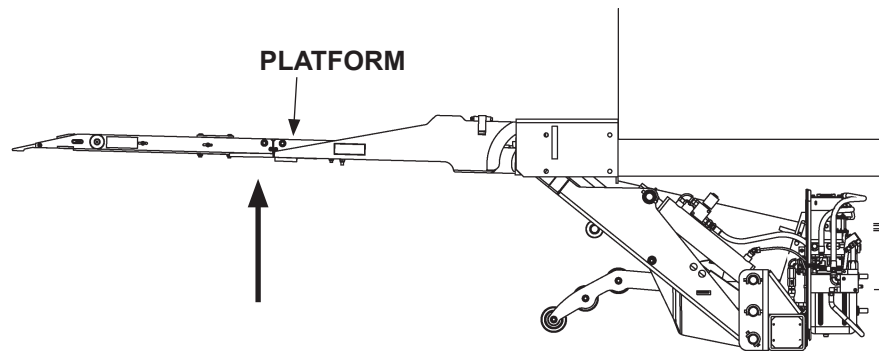


**LOWERING PLATFORM  
FIG. 26-2**

6. Use the handle with hand pump to raise the platform (FIGS. 27-1 & 26-2).

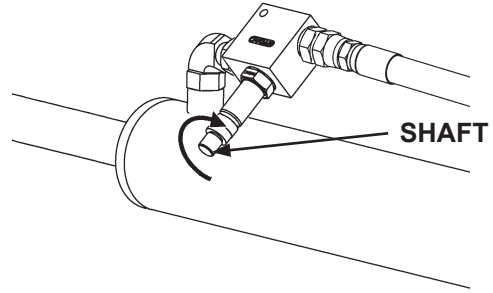


USING HAND PUMP TO RAISE PLATFORM  
FIG. 26-1



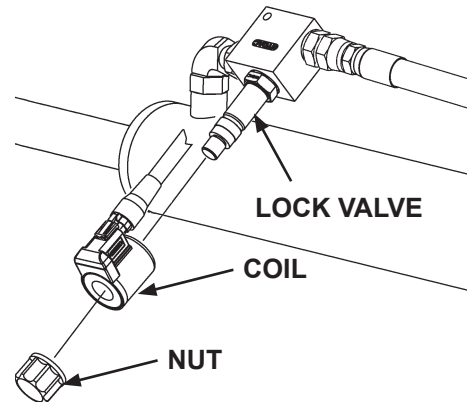
RAISING PLATFORM  
FIG. 27-2

7. Reset (close) lock valve by turning valve fully clockwise, (**FIG. 28-1**) so that it locks.



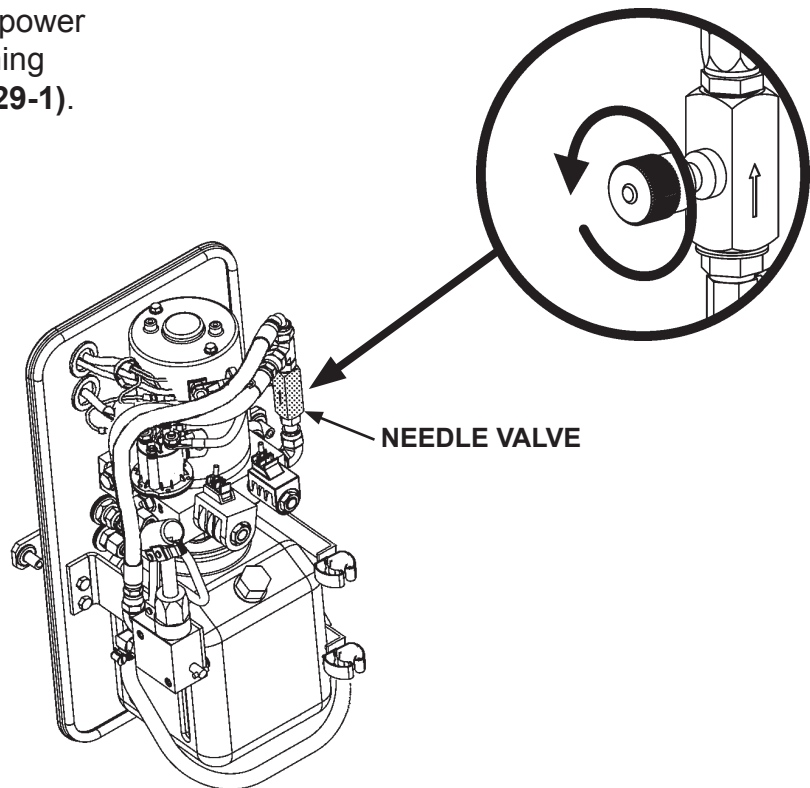
**RESETTING LOCK VALVE  
FIG. 27-1**

8. Reinstall coil and plastic nut (**FIG. 28-2**).



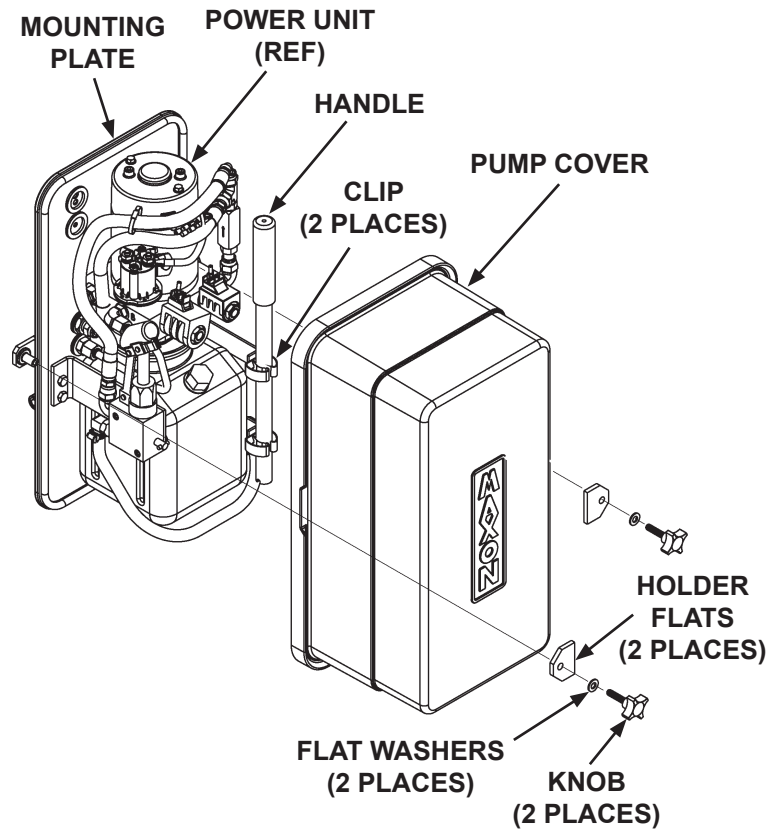
**REINSTALLING COIL & NUT ON LOCK VALVE  
FIG. 27-2**

9. For normal Liftgate operation with power unit, open the needle valve by turning knob fully counterclockwise (**FIG. 29-1**).



**OPENING NEEDLE VALVE FOR  
NORMAL OPERATION  
FIG. 29-1**

10. Stow hand pump handle in the spring clips on pump mounting plate (**FIG. 30-1**).



**STOWING PUMP HANDLE & REINSTALLING  
PUMP COVER  
FIG. 30-1**

11. Reinstall and fasten pump cover (**FIG. 30-1**). Hand-tighten knobs.