

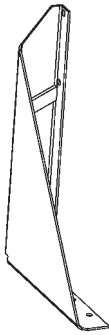
INSTRUCTIONS, DODGE TRUCKS INSTALLATION KIT (C2 LIFTGATES)

DODGE FULLSIZE 1500 PICKUP TRUCKS, 1995 - 2001

DODGE FULLSIZE 2500 & 3500 PICKUP TRUCKS, 1995 - 2002

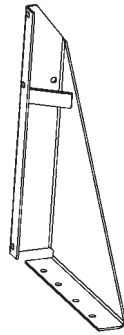
KIT P/N 289496-01

KIT P/N 289496-01G (GALVANIZED)



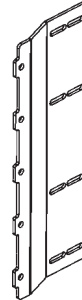
LH MOUNTING BRACKET
P/N 289655-01

GALVANIZED BRACKET
P/N 289655-01G
QTY. 1



RH MOUNTING BRACKET
P/N 289655-02

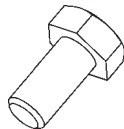
GALVANIZED BRACKET
P/N 289655-02G
QTY. 1



MAIN FRAME
MOUNTING BRACKET
P/N 289637-01

GALVANIZED BRACKET
P/N 289637-01G
QTY. 2

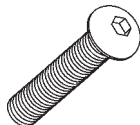
DODGE BOLT KIT, P/N 289653-01



HEX CAP SCREW
1/2"- 13 X 1-1/4" LG, GR5
P/N 900781-02
QTY. 2



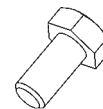
LOCK WASHER, 1/2"
P/N 902011-6
QTY. 2

BOLT KIT, P/N 289488-01

BUTTONHEAD SCREW
3/8"- 16 X 1" LG.
P/N 900064-05
QTY. 8



PAN HEAD SCREW
#10-24 X 3/4" LG.
P/N 900753-07
QTY. 8



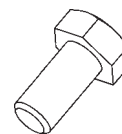
HEX CAP SCREW
3/16"-16 X 1" LG, GR5
P/N 900778-02
QTY. 12



LOCK WASHER, 3/8"
P/N 902011-4
QTY. 20



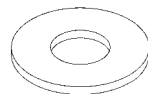
LOCK WASHER, 1/2"
P/N 902011-6
QTY. 6



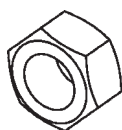
HEX CAP SCREW
1/2"- 13 X 1-1/4" LG, GR5
P/N 900781-02
QTY. 6



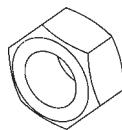
FLAT WASHER, 3/8"
P/N 902001-2
QTY. 6



FLAT WASHER,
1-3/8" OD, 1/2"
P/N 902014
QTY. 4



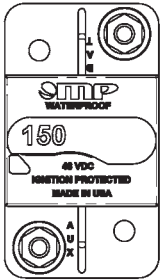
HEX NUT, 3/8"-16
P/N 903161-05
QTY. 20



LOCK NUT, 1/2"-13
P/N 040066
QTY. 4

NOTE: C2 Liftgates are shipped with the following parts kits for installing the Liftgate.
The parts are stored in the main frame housing.

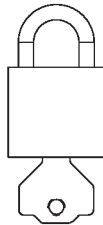
C2 LIFTGATE SMALL PARTS & MANUAL KIT P/N 289484-01



**CIRCUIT BREAKER,
150 AMP
P/N 907207-01
QTY. 1**



**LICENSE PLATE
LIGHT
P/N 907210-01
QTY. 1**



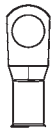
**PADLOCK (2 KEYS)
P/N 908221-01
QTY. 1**

LICENSE
PLATE LIGHT
INSTALLATION
M-14-35

C2
OPERATION
MANUAL
M-14-36



**NYLON PLUG, 1/2"
P/N 908081-01
QTY. 5**



**LUG, 4GA
COPPER, 3/8"
P/N 907278-01
QTY. 4**



**BUTT CONNECTOR,
14-16 AWG
P/N 030491
QTY. 2**



**SELF-TAPPING SCREW,
1/4"-20 X 5/8" LG.
P/N 900705-02
QTY. 2**



**PAN HEAD SCREW,
#10-24 X 3/4" LG.
P/N 900007-6
QTY. 2**



**DROP-AWAY PIN
P/N 289483-01
QTY. 1**



**BREATHER PLUG, 3/8" NPT
P/N 295049
QTY. 1**



**GROMMET NUT, 1/4"
P/N 901015-03
QTY. 2**

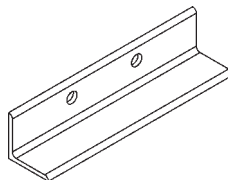


**NUT, #10-24
P/N 903163-02
QTY. 2**



**LOCK NUT, 3/8"-16
P/N 901016-4
QTY. 1**

LOWER MOUNTING ANGLE



**SHIPPING LEG
P/N 289543-02
QTY. 2**

NOTE: Installer is responsible for ensuring vehicle meets Federal, State, and Local standards and regulations.

BODY STRENGTH

⚠ WARNING

Consult vehicle body manufacturer for vehicle body strength data. Make sure the forces created by the Liftgate are within the limits prescribed by the vehicle body manufacturer.

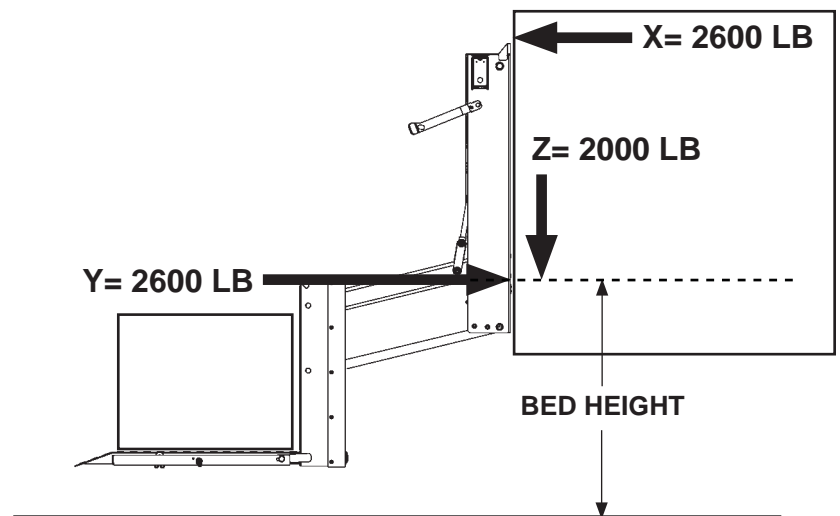
NOTE: Maximum operating bed height for **C2** mounted on pickup body is **42" (Unloaded)**. Minimum bed height is **28" (Loaded)**.

The **C2** is a body-mounted liftgate that put forces on the side walls of truck bodies (**FIG. 4-1**). For correct installation, truck bodies must be strong enough to withstand the tension, compression and shear forces shown in **FIG. 4-1**.

X= Tension on each sidewall

Y= Compression on each sidewall

Z= Shear on each sidewall



**C2 LIFTGATE SHOWN ON TRUCK BODY
FIG. 4-1**

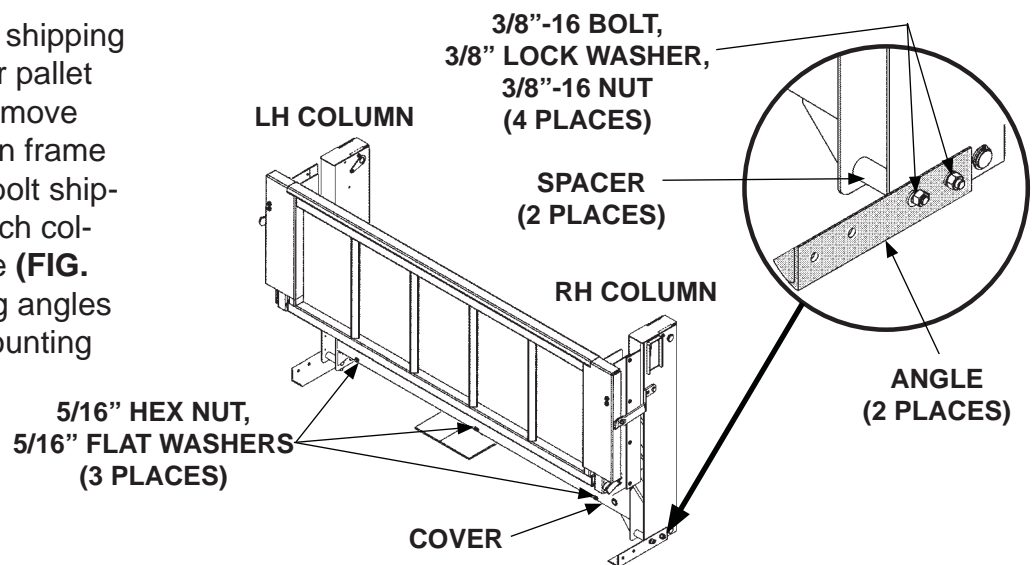
PREPARE LIFTGATE

1. Remove mounting kits shipped with liftgate. Refer to kits on **Sheets 1 and 2**. Verify mounting brackets are the correct brackets for this installation.

⚠ CAUTION

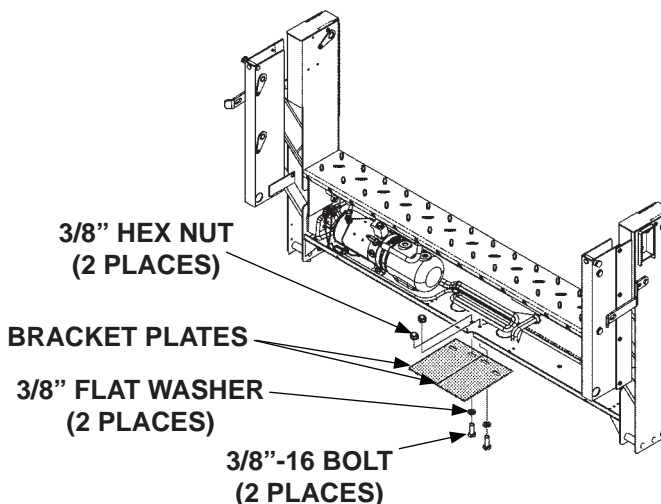
Liftgate will not stand upright without the shipping angles. Before removing the angles, make sure Liftgate is supported with forklift or pallet jack. Injury & property damage could result if Liftgate falls over.

2. Support Liftgate on shipping pallet with forklift or pallet jack. Unbolt and remove cover from the main frame housing. Then, unbolt shipping angle from each column on the Liftgate (**FIG. 5-1**). Save shipping angles to use for lower mounting brackets.



REMOVING SHIPPING ANGLES
FIG. 5-1

3. Unbolt bracket plates from bottom of main frame housing (**FIG. 5-2**). Save the plates to use for lower mounting brackets.

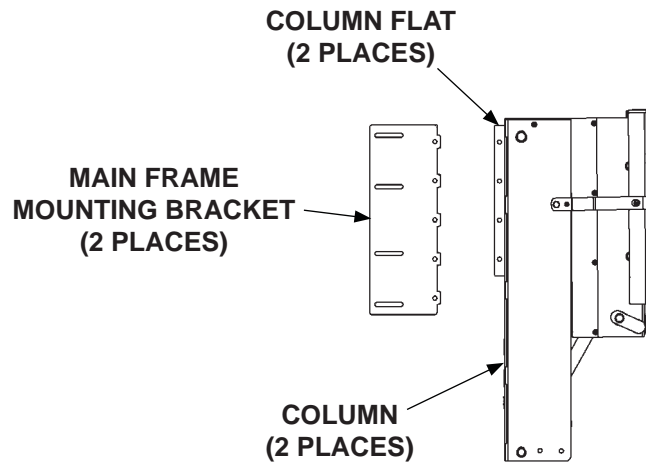


REMOVING BRACKET PLATES
(PLATFORM NOT SHOWN)
FIG. 5-2

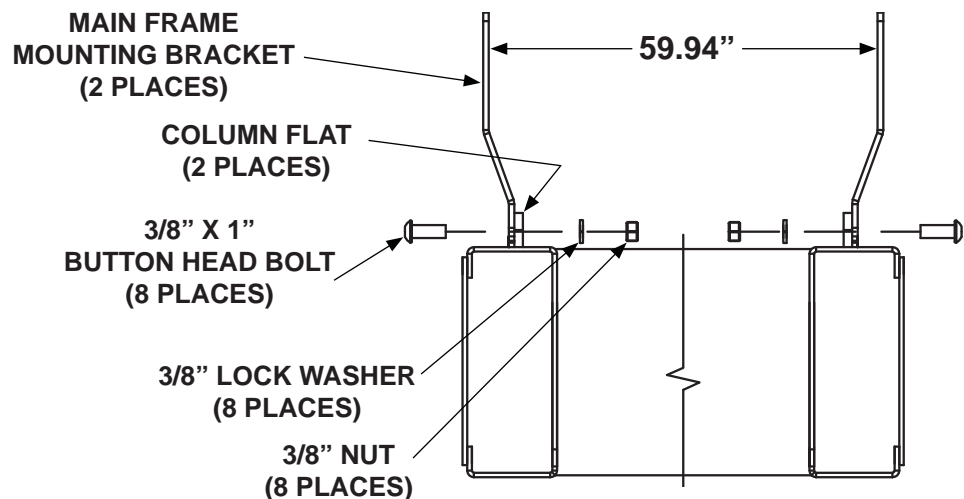
BOLTING ON MAIN FRAME BRACKETS

NOTE: The extra hole in the main frame mounting brackets is always below the 1/4" X 1" strip.

Bolt main frame mounting brackets (Kit items) to column flats (FIGS. 6-1 and 6-2).



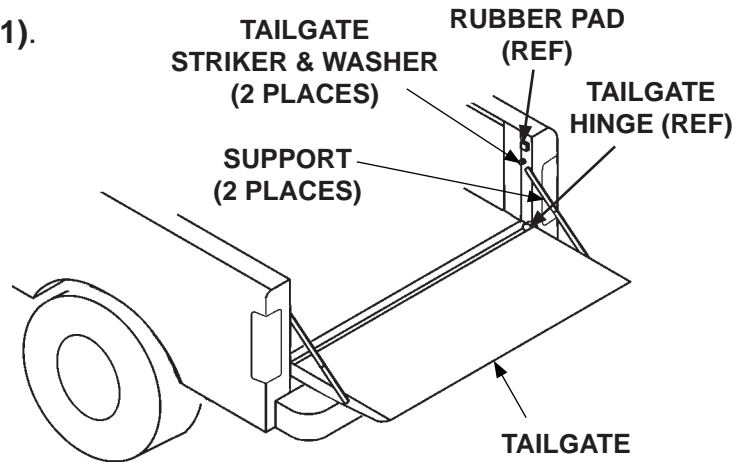
**C2 LIFTGATE SHOWN WITH BOLT-ON
MAIN FRAME BRACKETS
FIG. 6-1**



**BOLTING MAIN FRAME MOUNTING BRACKETS
TO COLUMNS ON C2 LIFTGATE
(TOP VIEW)
FIG. 6-2**

PREPARING PICKUP TRUCK

1. Unbolt the tailgate and supports (FIG. 7-1).

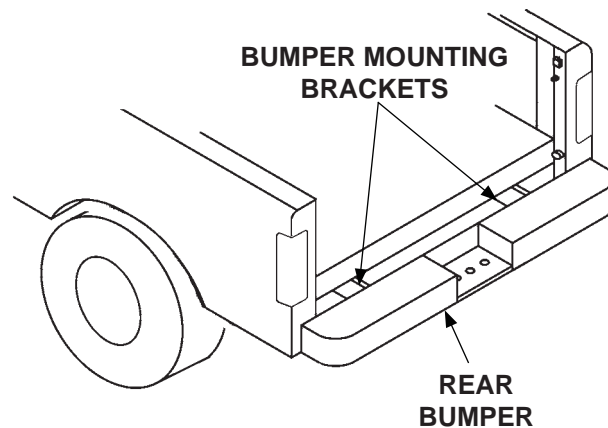


REMOVING TAILGATE & SUPPORTS
FIG. 7-1

2. Support rear bumper (FIG. 7-2) before unbolting the bumper brackets.

NOTE: When liftgate is installed on the truck, the tailgate and rear bumper cannot be reinstalled.

3. Unbolt and remove rear bumper, and bumper brackets (FIG. 7-2).



REMOVING REAR BUMPER
FIG. 7-2

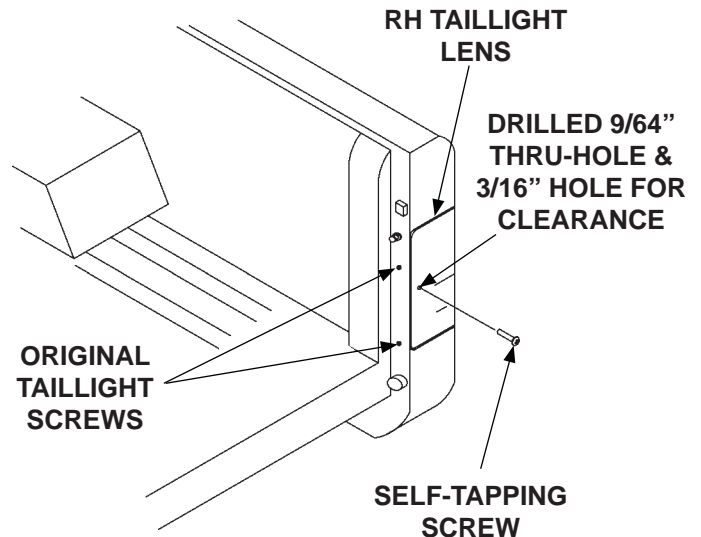
CHANGING TAILLIGHT MOUNTING

NOTE: Taillight modification must be completed before Liftgate is installed so that taillight bulbs can be replaced without removing liftgate.

1. Remove 2 original taillight screws from RH taillight lens (**FIG. 8-1**). These screws are not needed after the taillight mounting is changed.
2. Drill a 9/64" hole through RH taillight lens and internal sheet metal (**FIG. 8-1**). Then, carefully drill a 3/16" hole through taillight lens to create clearance for the screw threads (**FIG. 8-1**).

NOTE: If liftgate is C2-15 model (1500 lb capacity), wait until liftgate is mounted on pickup bed before reinstalling taillights.

3. Apply clear automotive silicone sealant (**not supplied**) to the 3/16" hole in the taillight lens, and on the threaded portion of the self-tapping screw (**FIG. 8-1**).
4. Insert a self-tapping screw (Kit item) into 9/64" hole to secure the taillight lenses in place (**FIG 8-1**). Do not over-tighten screw.
5. Repeat steps 1 through 4 for LH taillight lens.



MODIFYING TAILLIGHT MOUNTING
FIG. 8-1

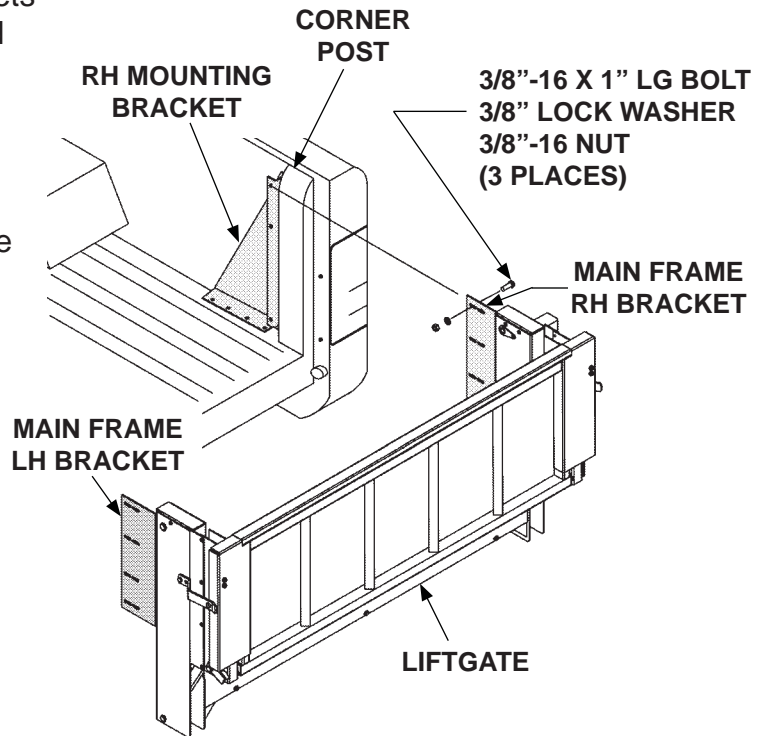
INSTALLING LIFTGATE

NOTE: Holes for mounting brackets are marked and drilled only after liftgate is in correct position on the pickup bed.

1. Position the LH and RH mounting brackets (Kit items) in the pickup bed just forward of corner posts (**FIG. 9-1**).

2. Position liftgate in the rear opening of the pickup bed (**FIG. 9-1**).

- Liftgate centered on rear opening in pickup bed
- Columns vertical
- Spare tire access hole aligned with spare tire tube on truck
- Top of main frame flush with floor of pickup bed



BOLTING LIFTGATE TO RH MOUNTING BRACKET
FIG. 9-1

NOTE: Ensure nuts and lock washers are on the inboard side of the mounting brackets.

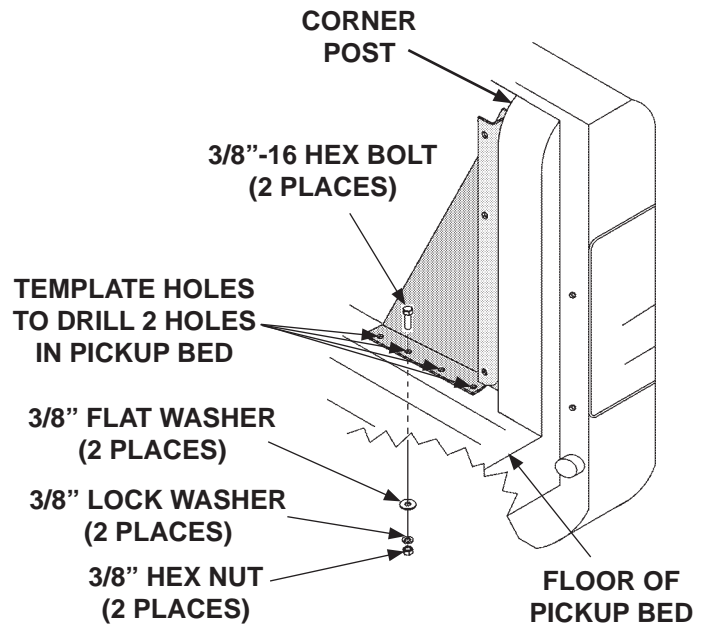
3. Bolt the main frame brackets on liftgate, to the RH mounting brackets as shown in **FIG. 9-1**. Handtighten bolts and nuts. Repeat for LH mounting bracket.
4. Let liftgate hang, in the rear opening of pickup bed, with support from corner posts.

INSTALLING LIFTGATE - Continued

CAUTION

Before drilling holes in the pickup bed, ensure there are no obstructions or items that could be damaged.

5. Hold RH mounting bracket against corner post of the pickup bed (FIG. 10-1). Then, use 2 of the 4 bracket holes that are not obstructed, to drill 2 holes for 3/8"-16 bolts in floor of the pickup bed (FIG. 10-1). Repeat for LH mounting bracket.
6. Bolt RH mounting bracket to the floor of pickup bed as shown in FIG. 10-1. Repeat for LH mounting bracket.
7. Unlatch and unfold platform. Refer to **C2 Operation Manual** if needed. Then, adjust liftgate position so platform is level from front to back.
8. Securely tighten 3 bolts fastening RH mounting bracket to main frame bracket (FIG. 10-1). Ensure the split lock washers are not in the slotted holes on main frame bracket. Repeat for LH mounting bracket.

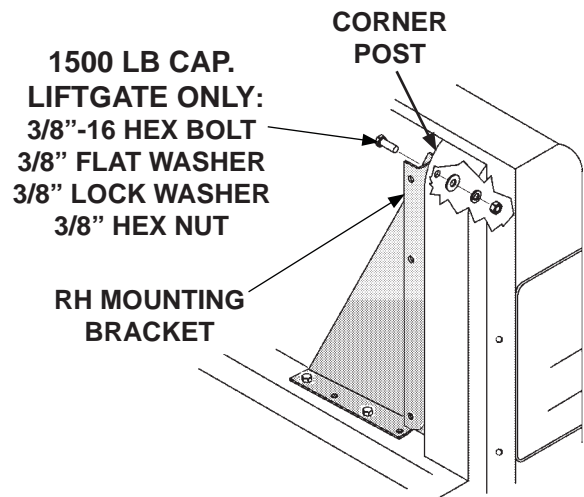


**BOLTING RH MOUNTING BRACKET TO PICKUP BED (LIFTGATE NOT SHOWN)
FIG. 10-1**

CAUTION

1500 lb capacity liftgates require additional support for the mounting brackets. Bolt bracket to pickup bed as shown in the illustration.

9. Use upper 3/8" hole in the RH mounting plate as a template to drill hole through RH corner post of pickup bed (FIG. 10-2). Then, bolt RH mounting plate to corner post as shown in FIG. 10-2. Repeat for LH mounting plate.
10. If liftgate is C2-15 model (1500 lb capacity), go back and finish the steps for changing the mounting of taillight lenses.



**FASTENING BRACKET TO INNER BOX (RIGHT SIDE SHOWN)
FIG. 10-2**

CHECKING ACCESS TO SPARE TIRE

CAUTION

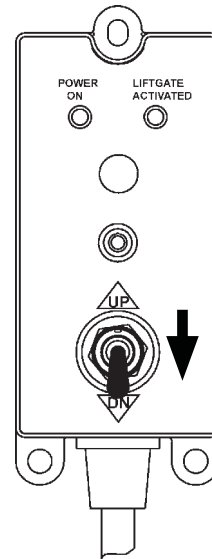
Do not use a battery charger for connecting power to Liftgate power cables.

1. Connect power from a 12 volt truck battery to the Liftgate power cables extending from the back of main frame housing.

2. Refer to operating instructions, in **C2 Operation Manual**, to unfold platform and activate the Liftgate.

NOTE: With the **POWER ON** and **LIFTGATE ACTIVATED** lights on, the Liftgate can be raised or lowered. If the Liftgate is not used for 90 seconds, the control will automatically deactivate.

3. Use the control switch to lower (**DN**) the platform to the ground (**FIG. 11-1**).

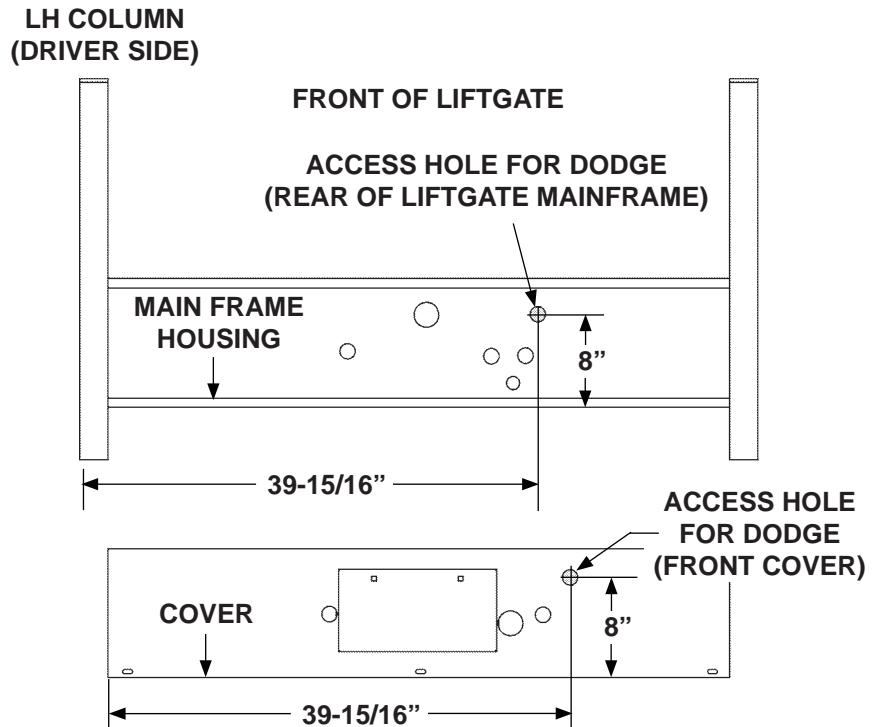


**USING CONTROL SWITCH
TO LOWER LIFTGATE
FIG. 11-1**

CHECKING ACCESS TO SPARE TIRE - Continued

4. Remove the correct black plastic plugs from the cover and mainframe (FIG. 12-1).

5. Insert the spare tire crank handle through the access holes in the liftgate main frame and cover (FIG. 12-1).

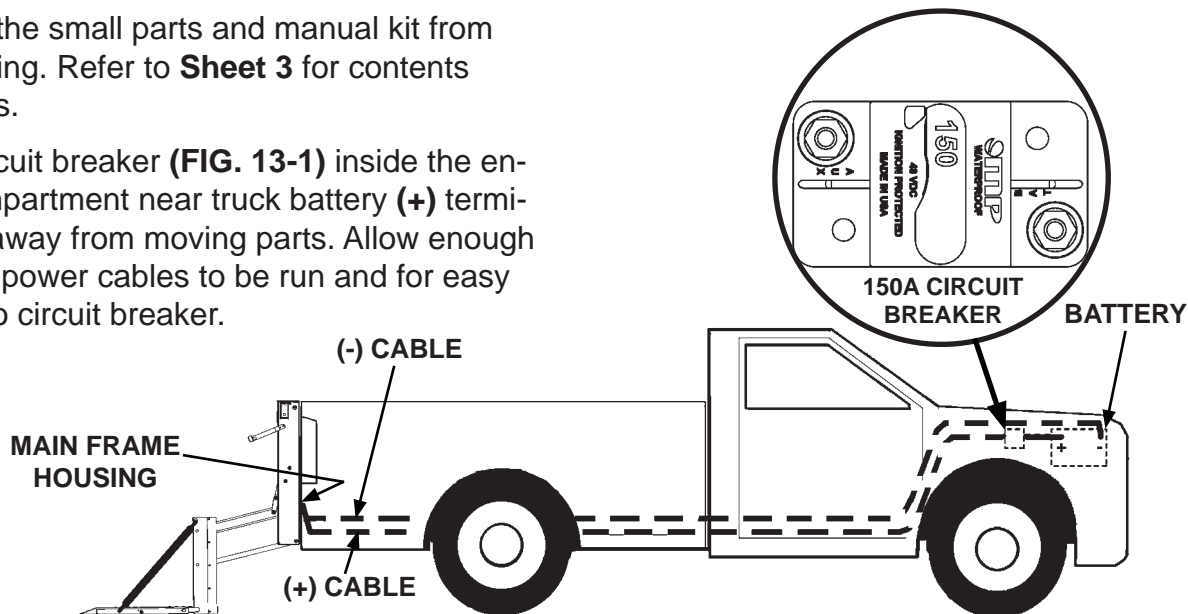


REMOVING PLASTIC PLUGS & CHECKING SPARE TIRE ACCESS FOR DODGE PICKUP
FIG. 12-1

6. Ensure spare tire can be accessed using the crank handle.

ROUTING POWER CABLES

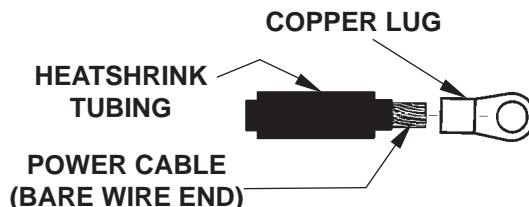
1. Remove the small parts and manual kit from the housing. Refer to **Sheet 3** for contents of the kits.
2. Install circuit breaker (**FIG. 13-1**) inside the engine compartment near truck battery (+) terminal and away from moving parts. Allow enough room for power cables to be run and for easy access to circuit breaker.



RUNNING POWER CABLES FROM LIFTGATE TO BATTERY

FIG. 13-1

3. Pull the (+) and (-) power cables through the cord grip on back of main frame housing. Leave about 2" of slack, for power cables, inside main frame housing.
4. Route power cables along truck frame to truck battery (**FIG. 13-1**). Pull extra cable beyond the battery terminals. Then, separate positive (+) cable from negative (-) cable.
5. Cut positive (+) cable to the length required to reach the **AUX** terminal of the circuit breaker (**FIG. 13-1**), without putting strain on the connection. Install copper lug (Kit item) (**FIGS. 13-2 and 13-3**). Then, connect to **AUX** terminal on 150A circuit breaker.



PLACING COPPER LUG & HEATSHRINK TUBING ON POWER CABLE

FIG. 13-2

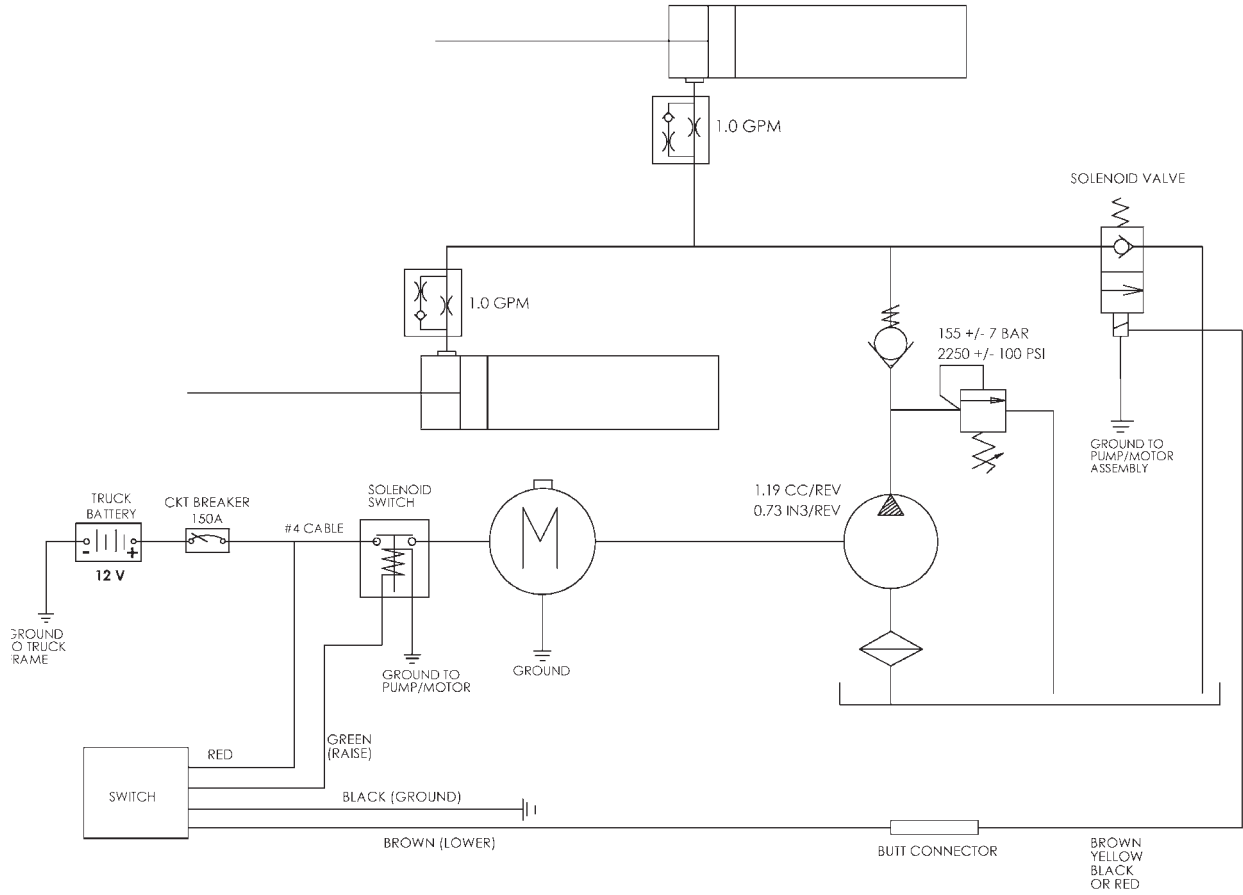
6. Cut remaining positive (+) cable long enough to reach from the circuit breaker **BAT** terminal to the positive (+) battery terminal (**FIG. 13-1**) without putting strain on the connection. Install copper lugs (Kit item) on both ends of cable (**FIGS. 13-2 and 13-3**). Then, connect cable to **BAT** terminal on 150A circuit breaker and positive (+) terminal on battery.



TYPICAL POWER CABLE WITH COPPER LUG INSTALLED

FIG. 13-3

7. Cut negative (-) cable to length required to reach negative (-) battery terminal without putting strain on the connection. Install copper lug (Kit item) (**FIGS. 13-2 and 13-3**). Then, connect cable to negative (-) terminal on battery.



**C2 PICKUP LIFTGATE HYDRAULIC & ELECTRICAL SYSTEMS DIAGRAM
FIG. 14-1**

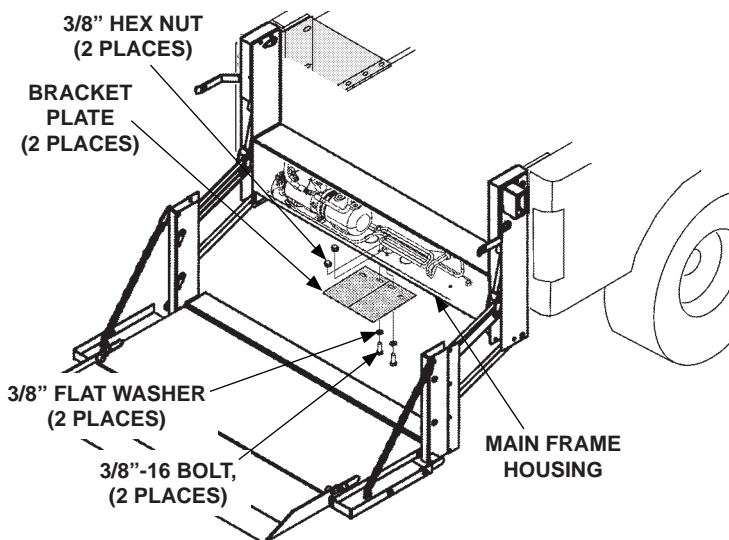
INSTALL LOWER MOUNTS

CAUTION

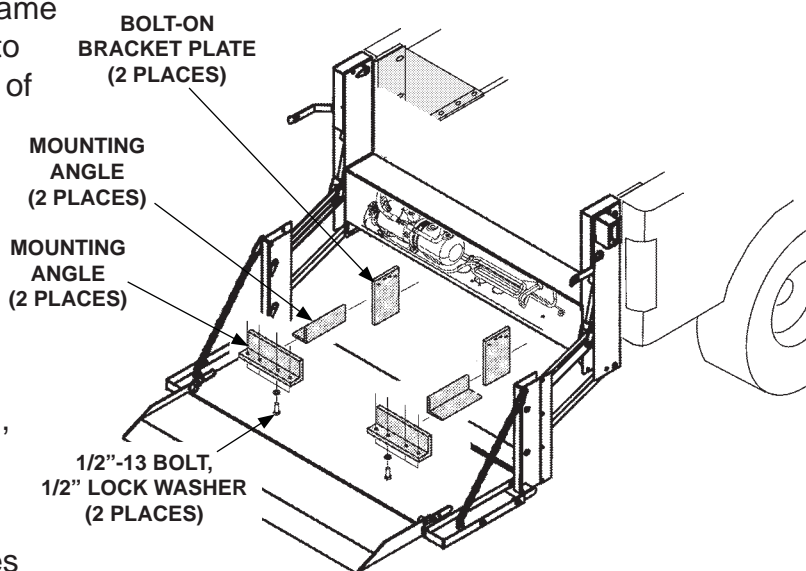
Liftgate can be severely damaged by connecting electric welder to liftgate at the wrong place. To prevent damage, always connect ground lead directly to component being welded & as close as possible to weld.

NOTE: Lower mounts are essential for Liftgate to be installed correctly. They attach to the truck frame and support the bottom of Liftgate.

1. Unbolt bracket plates from bottom of main frame housing (**FIG. 15-1**).
2. Position 2 bolt-on mounting angles, nearest to truck frame at bottom of Liftgate main frame housing (**FIG. 15-2**). Then bolt each angle to hole allowing closest fit to truck frame.
3. Position 2 bracket plates (Kit items) on truck frame at bottom of Liftgate main frame housing (**FIG. 15-2**). Bolt to truck frame. If necessary, modify bracket plates for best fit.
4. Clamp 2 short angles (no holes) (Kit items) to bracket plates on truck frame (**FIG. 15-2**). Position the 2 angles to reach the angles bolted on bottom of main frame housing.
5. With angles, and bracket plates positioned and clamped together, tack weld the angles and plates in position (**FIG. 15-2**).
6. Unbolt tack-welded lower brackets from truck frame (**FIG. 15-2**). Then, finish weld the bracket plates and angles.
7. Bolt the finish-welded bracket plates and angles back in position on the bottom of the main frame housing and truck frame (**FIG. 15-2**).



REMOVING BRACKET PLATES FROM MAIN FRAME HOUSING (C2 SHOWN)
FIG. 15-1



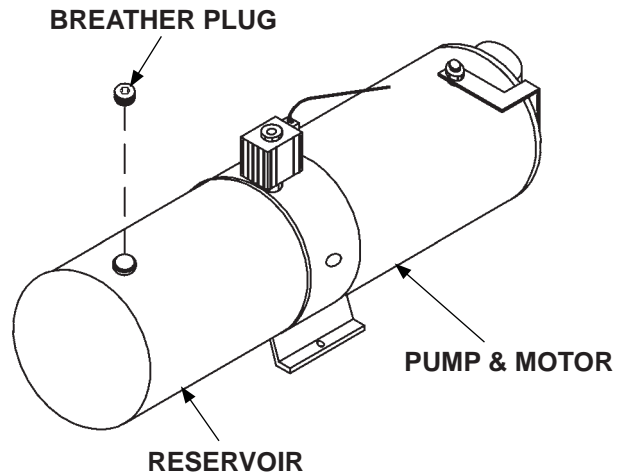
FABRICATING LOWER BRACKETS TO SUPPORT LIFTGATE (C2 SHOWN)
FIG. 15-2

COMPLETE LIFTGATE INSTALLATION

CAUTION

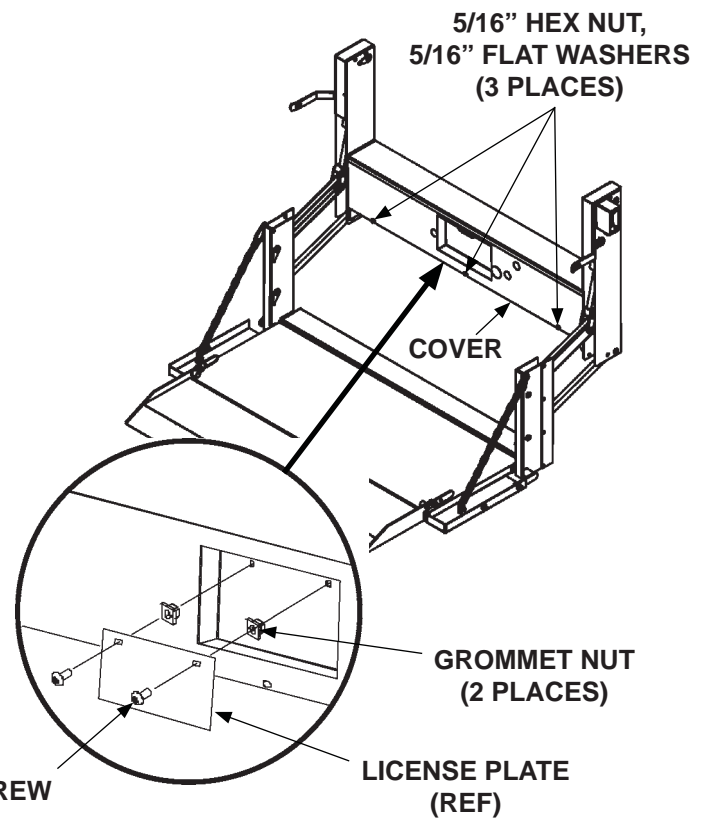
Hydraulic system is filled at the factory with correct amount of oil. It is unnecessary to add more oil except as required for periodic maintenance of the liftgate.

1. Remove the solid plug from the pump reservoir (**FIG. 16-1**). Install breather plug (Kit item) in pump reservoir.
2. Bolt on main frame cover (**FIG. 16-2**).



**INSTALLING VENT PLUG ON
PUMP RESERVOIR
FIG. 16-1**

3. Install the two square plastic grommet nuts (Kit item), for the license plate, into the square holes on the Liftgate main frame cover (**FIG. 16-2**).
4. Install the license plate using two 1/4"-20 self-tapping screws (Kit item) (**FIG. 16-2**).

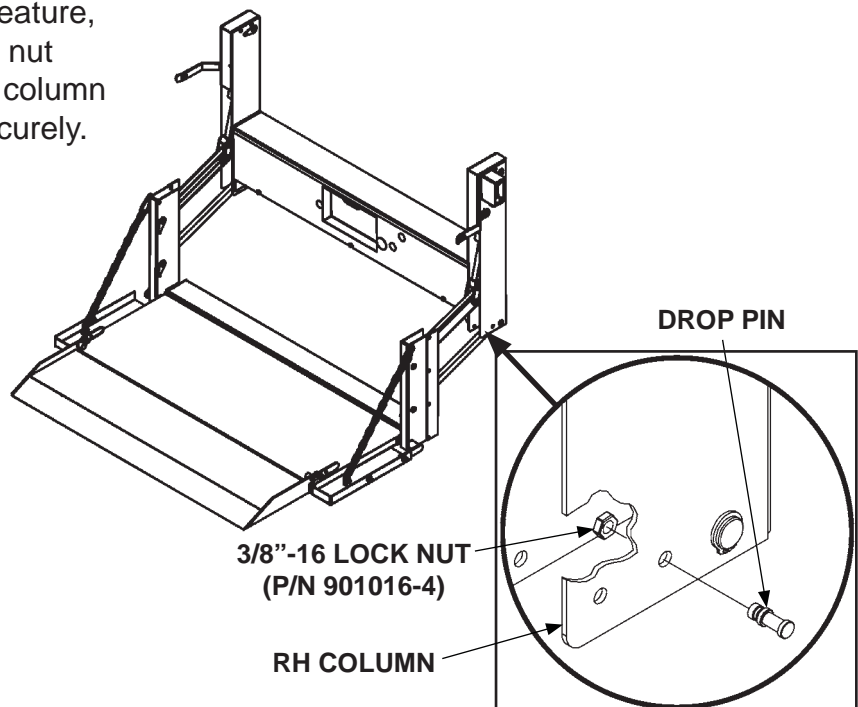


**INSTALLING COVER & LICENSE PLATE
(C2 LIFTGATE SHOWN)
FIG. 16-2**

5. Install the license plate lights into the holes provided. Refer to instruction sheet **M-14-35**. Then, connect the license plate lights to the vehicle's wiring.

COMPLETE LIFTGATE INSTALLATION - Continued

6. To use the drop-away platform feature, install drop pin and 3/8"-16 lock nut (Kit items) on the bottom of RH column (**FIG. 17-1**). Tighten lock nut securely.



**INSTALLING DROP PIN ON
RH COLUMN (C2 LIFTGATE SHOWN)
FIG. 17-1**

7. Install the 3/8" round plastic plugs into the empty holes in the bottom of the columns.
8. If previously removed, reinstall spare tire.

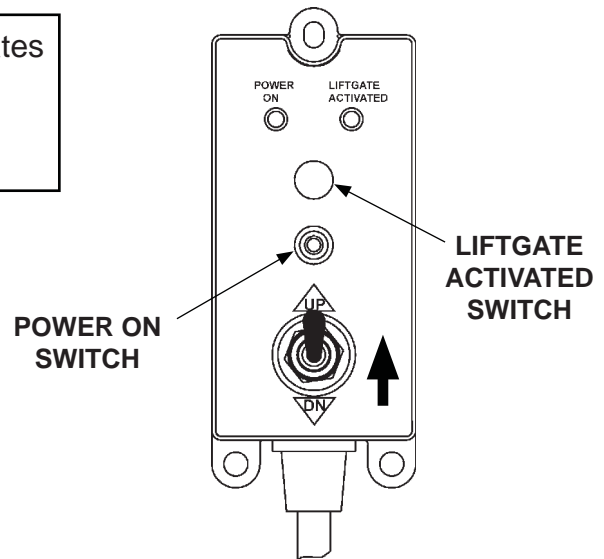
TEST OPERATION OF LIFTGATE

! WARNING

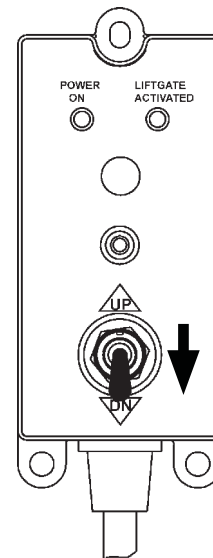
Keep all foreign objects out of the Liftgate mainframe and away from pinch points at all times when operating Liftgate.

NOTE: The **LIFTGATE ACTIVATED** LED illuminates when Liftgate power is on. Control switch should deactivate after 90 seconds of not being used.

1. Check operation of control switch for proper operation by pressing **POWER ON** button once to activate. Next, press **POWER ON** button again to deactivate Liftgate power. Then, press the **POWER ON** button twice to reset low voltage (**FIG. 18-1**).
2. Press the **LIFTGATE ACTIVATED** switch within 1 second to activate the timer (**FIG. 18-1**).
3. Raise (**UP**) and lower (**DN**) the unloaded platform (**FIGS. 18-1** and **18-2**) on a flat surface. Check for proper operating speed and alignment with the ground.
4. Load the platform with the rated capacity and measure the time to **RAISE** the platform (**FIG. 18-1**). The platform should raise approximately 2" to 3" per second.
5. Examine the platform for any downward creep.
6. Measure the time to **LOWER** the platform still loaded (**FIG. 18-2**). The load should descend approximately 7" to 9" per second.
7. Remove the load from the platform and examine the Liftgate and vehicle for hydraulic oil leaks, loose wiring, and any other problems.
8. Reinstall the main frame housing cover. Then, close and latch platform.



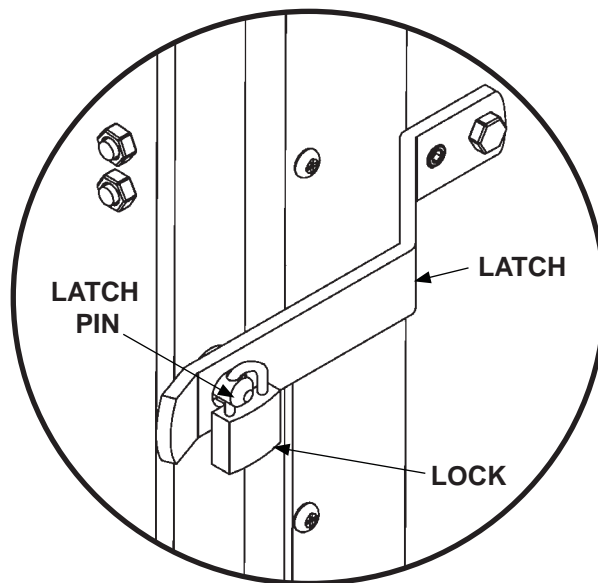
CHECKING OPERATION OF CONTROL SWITCH AND RAISING PLATFORM
FIG. 18-1



USING CONTROL SWITCH TO LOWER PLATFORM
FIG. 18-2

TEST OPERATION OF LIFTGATE - Continued

9. Lock the latch on LH side or RH side through the hole in the latch pin (**FIG. 19-1**).



**LOCKING PLATFORM
(C2 LIFTGATE)
FIG. 19-1**

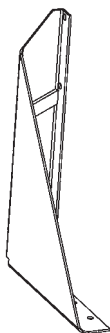
INSTRUCCIONES, KIT DE INSTALACIÓN PARA CAMIONETAS DODGE (ELEVADORES C2)

CAMIONETA DODGE GRANDE 1500, 1995 - 2001

CAMIONETAS DODGE GRANDE 1500 2500 Y 3500, 1995 - 2002

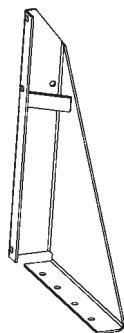
KIT N/P 289496-01

KIT N/P 289496-01G (GALVANIZADO)



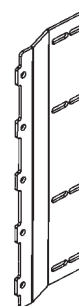
SOPORTE DE MONTAJE
IZQUIERDO
N/P 289655-01

SOPORTE GALVANIZADO
N/P 289655-01G
CANT. 1



SOPORTE DE MONTAJE
DERECHO
N/P 289655-02

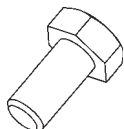
SOPORTE GALVANIZADO
N/P 289655-02G
CANT. 1



SOPORTE DE MONTAJE
DEL BASTIDOR
PRINCIPAL
N/P 289637-01

SOPORTE
GALVANIZADO
N/P 289637-01G
CANT. 2

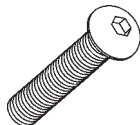
KIT DE PERNOS PARA DODGE, N/P 289653-01



TORNILLO CON CABEZA HEX.
1/2"- 13 X 1-1/4" DE LARGO,
GRADO 5
N/P 900781-02
CANT. 2



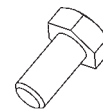
ARANDELA DE
PRESIÓN, 1/2"
N/P 902011-6
CANT. 2

KIT DE PERNOS, N/P 289488-01

**TORNILLO
CABEZA DE BOTÓN
3/8"- 16 X 1" DE LARGO
N/P 900064-05
CANT. 8**



**TORNILLO DE CABEZA
TRONCOCÓNICA
#10-24 X 3/4" DE
LARGO
N/P 900753-07
CANT. 8**



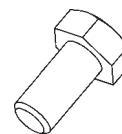
**TORNILLO CON
CABEZA HEXAGONAL
3/16"-16 X 1" DE
LARGO, GRADO 5
N/P 900778-02
CANT. 12**



**ARANDELA DE
PRESIÓN, 3/8"
N/P 902011-4
CANT. 20**



**ARANDELA DE
PRESIÓN, 1/2"
N/P 902011-6
CANT. 6**



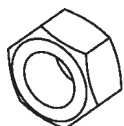
**TORNILLO CON CABEZA
HEXAGONAL
1/2"- 13 X 1-1/4" DE
LARGO, GRADO 5
N/P 900781-02
CANT. 6**



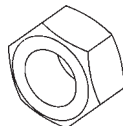
**ARANDELA PLANA, 3/8"
N/P 902001-2
CANT. 6**



**ARANDELA PLANA,
1-3/8" D.E., 1/2"
N/P 902014
CANT. 4**



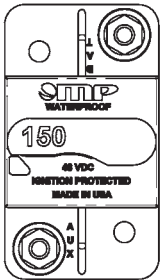
**TUERCA HEX, 3/8"-16
N/P 903161-05
CANT. 20**



**TUERCA DE
SEGURIDAD, 1/2"-13
N/P 040066
CANT. 4**

NOTA: Los Elevadores C2 se envían con los siguientes kits de partes para instalar el Elevador. Las partes se guardan en la cubierta del bastidor principal.

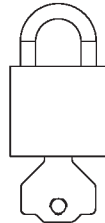
KIT DE MANUAL Y PARTES PEQUEÑAS PARA ELEVADOR C2
N/P 289484-02



DISYUNTOR,
150 A
N/P 907207-01
CANT. 1



LUZ PARA
MATRÍCULA
N/P 907210-01
CANT. 1



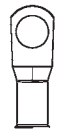
CANDADO
(2 LLAVES)
N/P 908221-01
CANT. 1

INSTALACIÓN
DE LUCES PARA
MATRÍCULA
MS-14-35

MANUAL DE
OPERACIÓN
PARA C2
MS-14-36



TAPÓN DE
NAILON, 1/2"
N/P 908081-01
CANT. 5



TERMINAL DE
COBRE 3/8"
CALIBRE 4
N/P 907278-01
CANT. 4



CONECTOR DE
PUNTAS,
14-16 CALIBRE
DE ALAMBRE
ESTADOUNIDENSE
N/P 030491
CANT. 2



TORNILLO
AUTORROSCANTE
1/4"-20 X 5/8" DE
LARGO
N/P 900705-02
CANT. 2



TORNILLO
CON CABEZA
TRONCOCÓNICA
#10-24 X 3/4" DE LARGO
N/P 900007-6
CANT. 2



PASADOR
PARA CADENA
N/P 289483-01
CANT. 1



TAPÓN RESPIRADERO,
3/8" ROSCA AMERICANA
CÓNICA PARA TUBERÍA
N/P 295049
CANT. 1



TUERCA DE OJAL DE
CAUCHO 1/4"
N/P 901015-03
CANT. 2

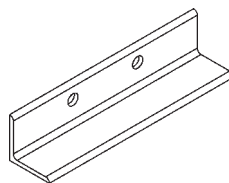


TUERCA,
#10-24
N/P 903163-02
CANT. 2



TUERCA DE
SEGURIDAD,
3/8"-16
N/P 901016-4
CANT. 1

PERFIL DE MONTAJE INFERIOR



PERFIL DE ENVÍO
N/P 289543-02
CANT. 2

NOTA: El instalador es el responsable de asegurarse que el vehículo cumpla con las leyes y estándares Federales, Estatales y Locales.

FIRMEZA DE LA CARROCERÍA

⚠ ADVERTENCIA

Consulte la firmeza de la carrocería de su vehículo con el fabricante de la carrocería. Asegure que las fuerzas creadas por el Elevador están dentro de los límites prescritos por el fabricante de la carrocería.

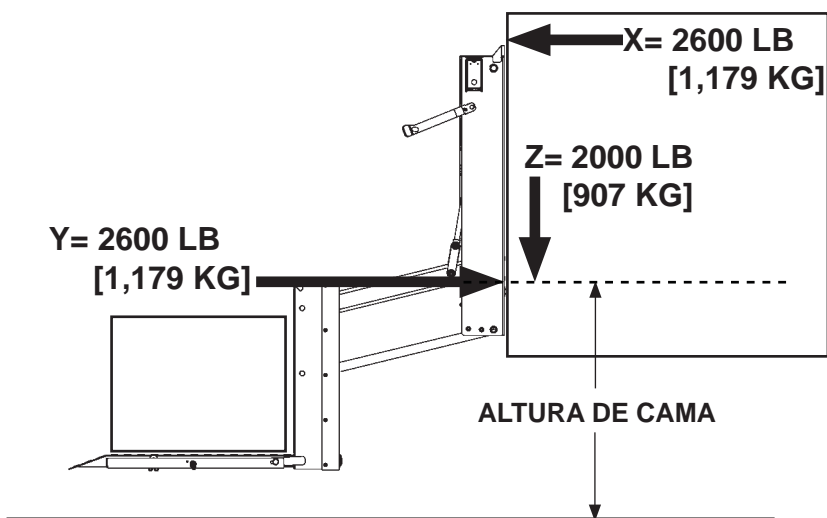
NOTA: La altura máxima de cama para una correcta operación del **C2** montado en la carrocería de una camioneta es de **42" [107 cm] (Sin carga)**. La altura mínima de cama es de **28" [71 cm] (Con carga)**.

El **C2** es un elevador montado en la carrocería que aplica fuerzas en las paredes laterales de la carrocería (**FIG. 23-1**). Para una correcta instalación, la carrocería de los camiones debe ser lo suficientemente fuerte para soportar las fuerzas de tensión, compresión y transversales que se muestran en la **FIG. 23-1**.

X= Tensión en cada pared lateral

Y= Compresión en cada pared lateral

Z= Transversal en cada pared lateral



**SE MUESTRA ELEVADOR C2 EN
CARROCERÍA DE CAMIÓN
FIG. 23-1**

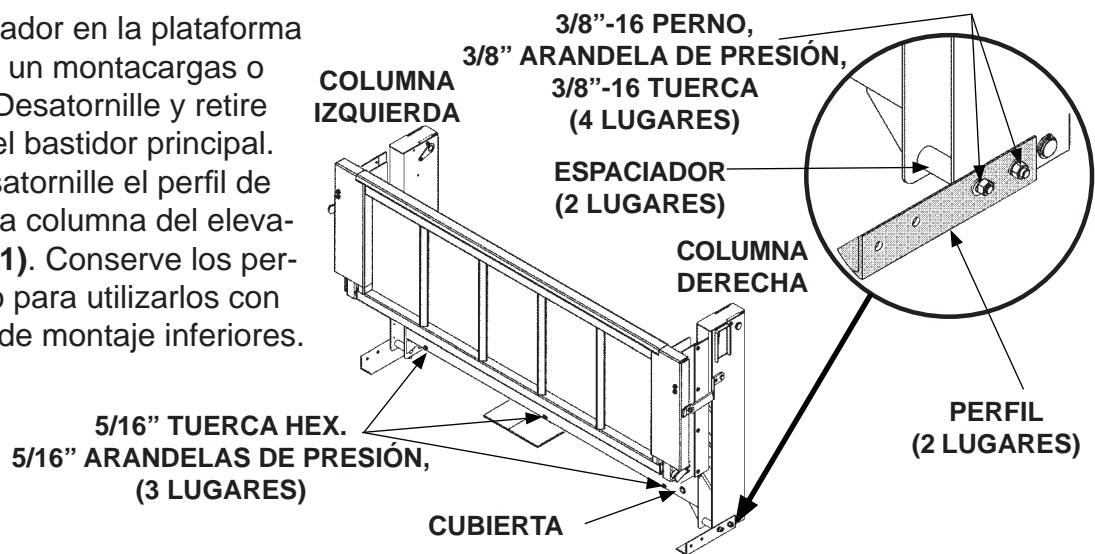
PREPARAR ELEVADOR

1. Retire los kits de montaje enviados con el elevador. Consulte los kits en las **Hojas de la 20 y 21**. Verifique que los soportes de montaje sean los soportes correctos para esta instalación.

⚠ PRECAUCIÓN

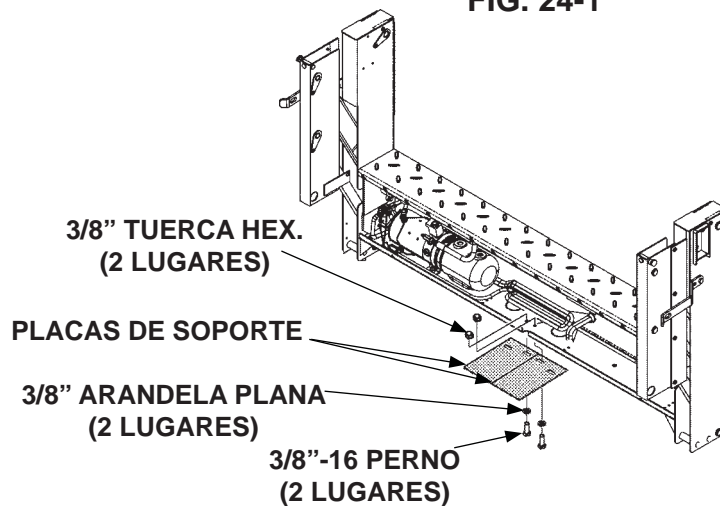
El elevador no se mantendrá en pie sin los perfiles de envío. Antes de retirar los perfiles, asegure que el elevador esté apoyado en montacargas o transpaletas. Si el elevador se cae, puede ocasionar daños a la propiedad y lesiones.

2. Apoye el elevador en la plataforma de envío con un montacargas o transpaleta. Desatornille y retire la cubierta del bastidor principal. Después desatornille el perfil de envío en cada columna del elevador (**FIG. 24-1**). Conserve los perfiles de envío para utilizarlos con los soportes de montaje inferiores.



RETIRAR PERFILES DE ENVÍO
FIG. 24-1

3. Desatornille las placas de soporte de la parte inferior del bastidor principal (**FIG. 24-2**). Conserve las placas para utilizarlas en los soportes de montaje inferiores.

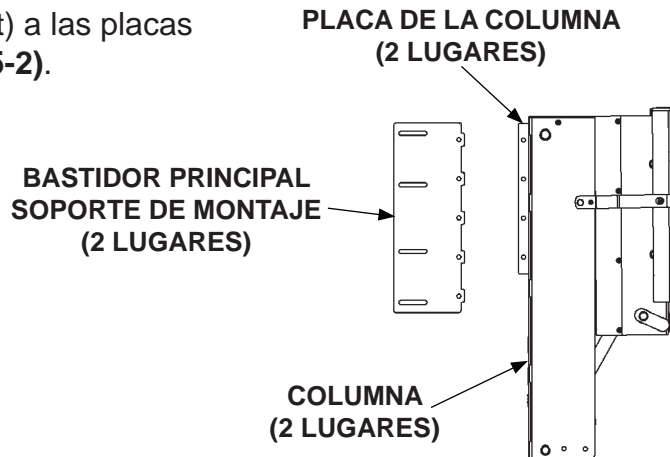


RETIRAR LAS PLACAS DE SOPORTE
(NO SE MUESTRA LA PLATAFORMA)
FIG. 24-2

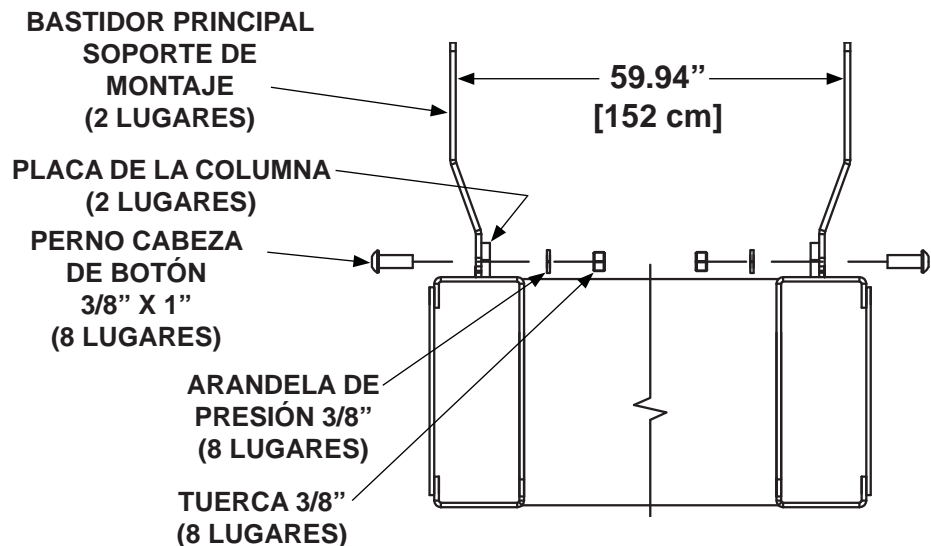
ATORNILLAR SOPORTES EN EL BASTIDOR PRINCIPAL

NOTA: El agujero extra en los soportes de montaje del bastidor principal siempre está por debajo de la tira de 1/4" X 1" [6 x 25 mm].

Atornille los soportes de montaje del bastidor principal (artículos incluidos en kit) a las placas de las columnas (**FIGS. 25-1 y 25-2**).



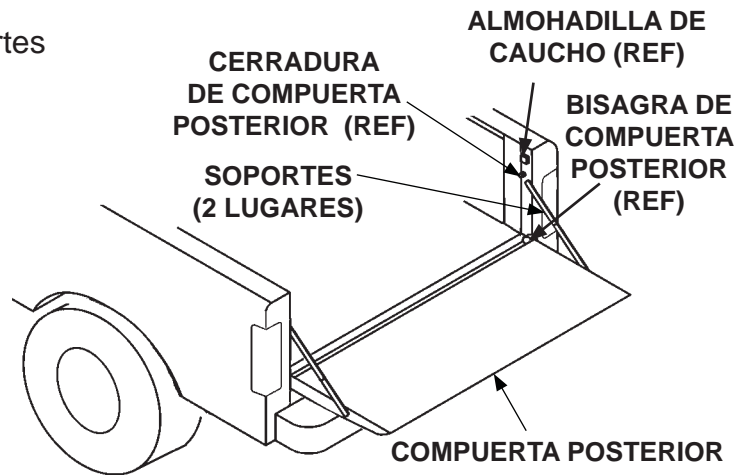
SE MUESTRA ELEVADOR C2 CON
SOPORTES DE MONTAJE PARA
BASTIDOR PRINCIPAL ATORNILLABLES
FIG. 25-1



ATORNILLAR SOPORTES DE MONTAJE PARA BASTIDOR
PRINCIPAL A LAS COLUMNAS EN ELEVADOR C2
(VISTA SUPERIOR)
FIG. 25-2

PREPARAR CAMIONETA

1. Desatornille la puerta trasera y los soportes (FIG. 26-1).

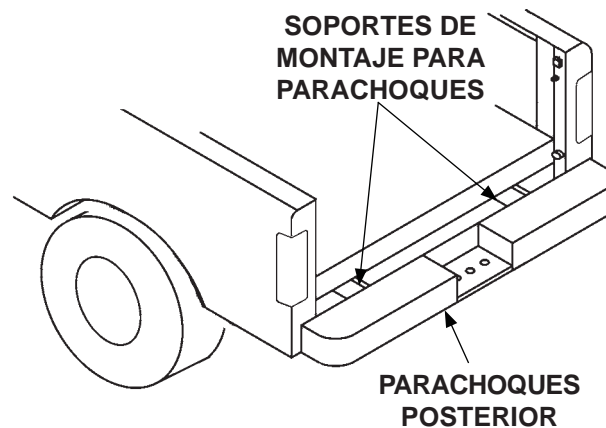


RETIRAR COMPUERTA POSTERIOR Y SOPORTES
FIG. 26-1

2. Apoye el parachoques trasero (FIG. 26-2) antes de desatornillar los soportes del parachoques.

NOTA: El parachoques y los soportes del parachoques no se pueden reinstalar una vez que se instale el Elevador.

3. Desatornille y retire el parachoques posterior y los soportes (FIG. 26-2).

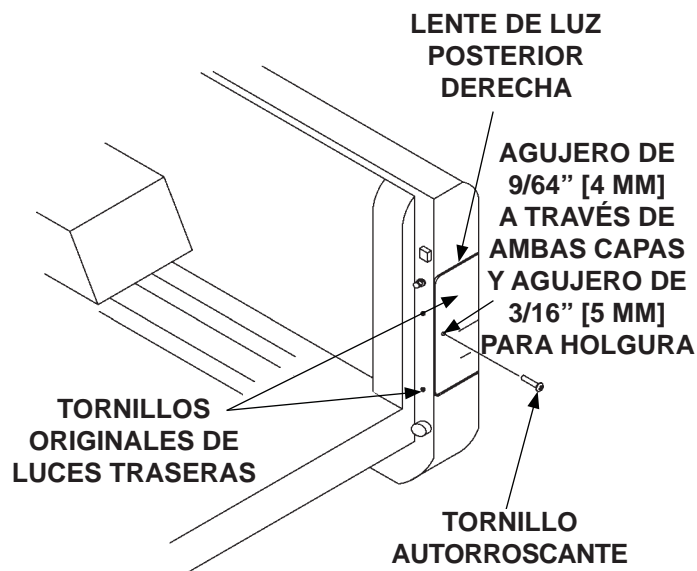


RETIRAR ENGANCHE POSTERIOR
FIG. 26-2

CAMBIAR EL MONTAJE DE LAS LUCES POSTERIORES

NOTA: La modificación de las luces posteriores debe ser finalizada antes de instalar el Elevador para que las bombillas de luz puedan reemplazarse sin remover el Elevador.

1. Retire los 2 tornillos originales del lente derecho (**FIG. 27-1**). Estos tornillos no se necesitan después de cambiar el montaje de las luces posteriores.
2. Realice un agujero de 9/64" [4 mm] en el lente y hoja metálica de la luz trasera derecha (**FIG. 27-1**). Después realice cuidadosamente un agujero de 3/16" [5 mm] a través del lente creando una holgura para la rosca de los tornillos (**FIG. 27-1**).



**MODIFICAR MONTAJE DE LUCES POSTERIORES
FIG. 27-1**

NOTA: Si el Elevador es un modelo C2-15 (capacidad de 1500 lb [680 kg]), espere hasta que el Elevador se haya montado en la cama de la camioneta antes de reinstalar las luces posteriores.

3. Aplique sellador automotriz de silicona transparente (**no incluido**) al agujero de 3/16" [5 mm] en el lente y en la porción roscada del tornillo autorroscante (**FIG. 27-1**).
4. Inserte un tornillo autorroscante (artículo incluido en kit) en el agujero de 9/64" [4 mm] para fijar en su lugar los lentes de las luces (**FIG 27-1**). No apriete en exceso el tornillo.
5. Repita del paso 1 al 4 para el lente izquierdo.

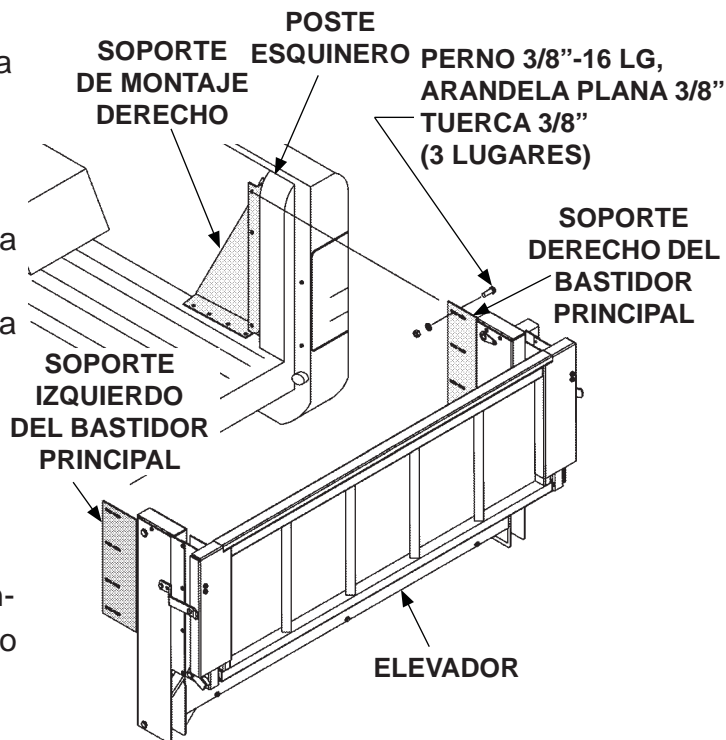
INSTALAR EL ELEVADOR

NOTA: Los agujeros para los soportes de montaje se marcan y perforan solo hasta que el elevador esté en la posición correcta en la cama de la camioneta.

1. Posicione los soportes de montaje de ambos lados (arts. incl. en kit) en la cama de la camioneta adelante de los postes esquineros (**FIG. 28-1**).

2. Coloque el elevador en la apertura trasera de la cama del vehículo (**FIG. 28-1**).

- Elevador centrado en la apertura trasera de la cama de la camioneta
- Columnas verticales
- Agujero para neumático de repuesto alineado con el tubo del neumático de repuesto en el vehículo
- Parte superior del bastidor principal alineado con el suelo de la cama del vehículo



NOTA: Asegure que las tuercas y arandelas de presión están del lado interno de los soportes de montaje.

ATORNILLAR ELEVADOR A SOPORTE DE MONTAJE DERECHO
FIG. 28-1

3. Atornille los soportes de montaje para bastidor principal localizados en el elevador a los soportes de montaje derechos mostrados en la **FIG. 28-1**. Apriete manualmente los pernos y las tuercas. Haga lo mismo con el soporte de montaje izquierdo.

4. Deje que el elevador cuelgue en la abertura trasera de la cama del vehículo, con apoyo de los postes esquineros de la cama del vehículo.

INSTALAR ELEVADOR - Cont.

PRECAUCIÓN

Antes de perforar la cama de la camioneta, asegure que no haya obstrucciones o artículos que pudieran resultar dañados.

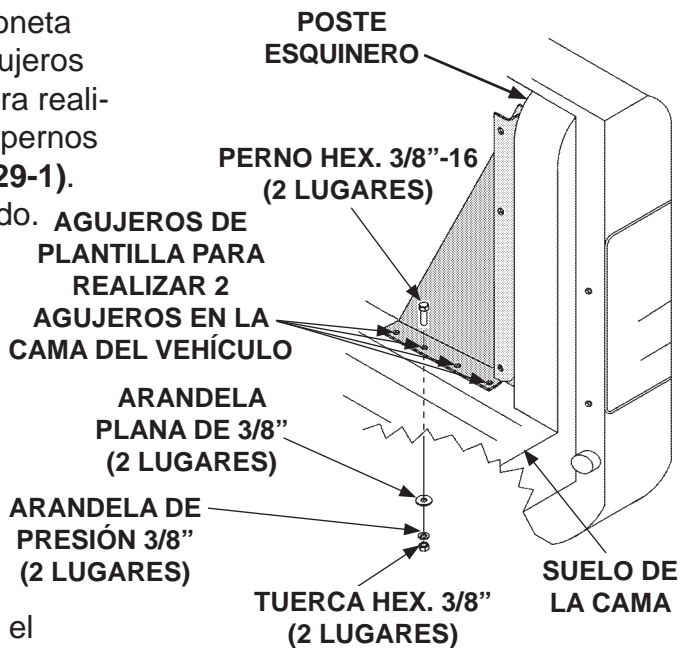
- Sostenga el soporte de montaje derecho contra el poste esquinero de la cama de la camioneta (FIG. 29-1). después, utilice 2 de los 4 agujeros para soportes que no están obstruidos para realizar 2 perforaciones en las cuales irán los pernos de 3/8"-16 en la cama del vehículo (FIG. 29-1).

Repita para el soporte de montaje izquierdo.

- Atornille el soporte de montaje derecho al suelo de la cama del vehículo como se muestra en la FIG. 29-1. Repita para el soporte de montaje izquierdo.

- Desenganche y despliegue la plataforma. Consulte el **Manual de Operación para C2** si lo necesita. Después, ajuste la posición del elevador para que la plataforma esté nivelada del frente al tras.

- Asegure firmemente los 3 pernos uniendo el soporte de montaje derecho al soporte del bastidor principal (FIG. 29-1). Asegure que las arandelas de presión abiertas no estén en los agujeros ranurados en el soporte del bastidor. Repita con el soporte de montaje izquierdo.



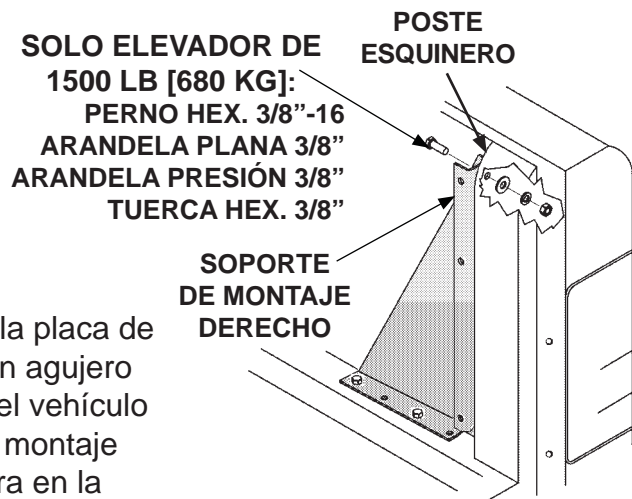
ATORNILLAR SOPORTE DE MONTAJE DERECHO A CAMA DE CAMIONETA (NO SE MUESTRA ELEVADOR)

FIG. 29-1

PRECAUCIÓN
Los elevadores con capacidad de 1500 lb [680 kg] requieren apoyo adicional para los soportes de montaje. Atornille el soporte a la cama del vehículo como se muestra en la ilustración.

- Utilice el agujero de 3/8" [1 cm] superior de la placa de montaje der. como plantilla para taladrar un agujero a través del poste esquinero de la cama del vehículo (FIG. 29-2). Después, atornille la placa de montaje der. en el poste esquinero como se muestra en la FIG. 29-2. Repita con la placa de montaje izq.

- Si el Elevador es del modelo C2 (tiene una capacidad de 1500 lb [680 kg]), regrese y finalice los pasos para montar los lentes de las luces traseras.



SUJETAR SOPORTE A LA CAJA INTERIOR (SE MUESTRA LADO DERECHO)

FIG. 29-2

REVISAR EL ACCESO AL NEUMÁTICO DE REPUESTO

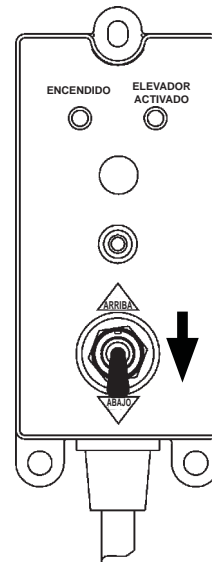
PRECAUCIÓN

No utilice cargador de batería para conectar la energía a los cables de alimentación del Elevador.

1. Conecte la energía de una batería de 12 voltios para camión a los cables de alimentación del Elevador que salen de la parte posterior de la cubierta del bastidor principal.
2. Consulte las instrucciones de operación para desplegar la plataforma y activar el Elevador en el **Manual de Operación para C2**.

NOTA: Con las luces de **ENCENDIDO (POWER ON)** y de **ELEVADOR ACTIVADO (LIFTGATE ACTIVATED)** encendidas, el Elevador puede ser elevado y descendido. Si no se utiliza el Elevador durante 90 segundos, el control se desactivará automáticamente.

3. Utilice el interruptor para descender (**DN**) la plataforma al suelo (**FIG. 30-1**).



**UTILIZAR INTERRUPTOR PARA
DESCENDER ELEVADOR
FIG. 30-1**

REVISAR ACCESO A NEUMÁTICO DE REPUESTO - Cont.

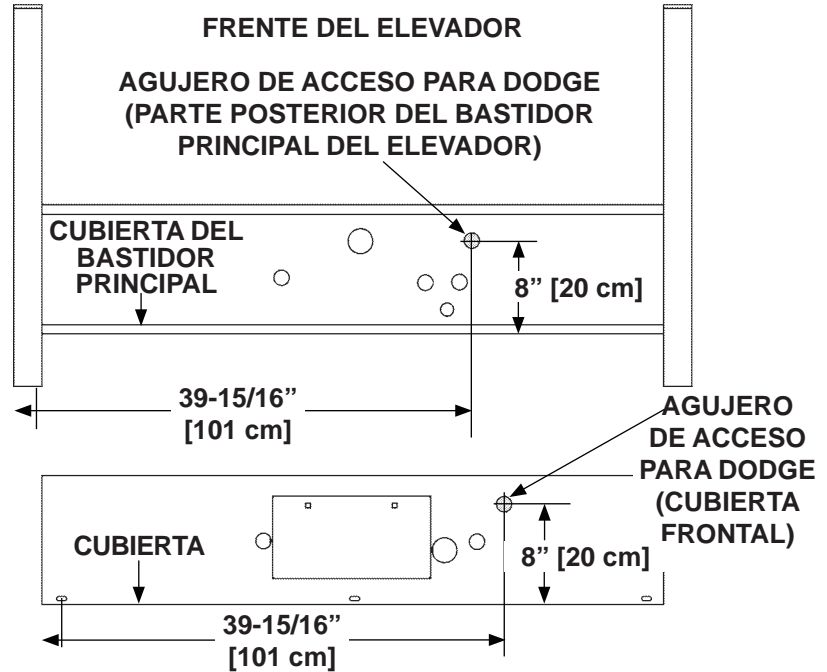
COLUMNA IZQ.

(LADO DEL CONDUCTOR)

4. Retire los tapones de plástico negro correctos de la cubierta y el bastidor (FIG. 31-1).

5. Inserte la manivela del neumático de repuesto a través de los agujeros en el bastidor principal y la cubierta del elevador (FIG. 31-1).

6. Asegure que se tenga acceso al neumático de repuesto utilizando la manija.

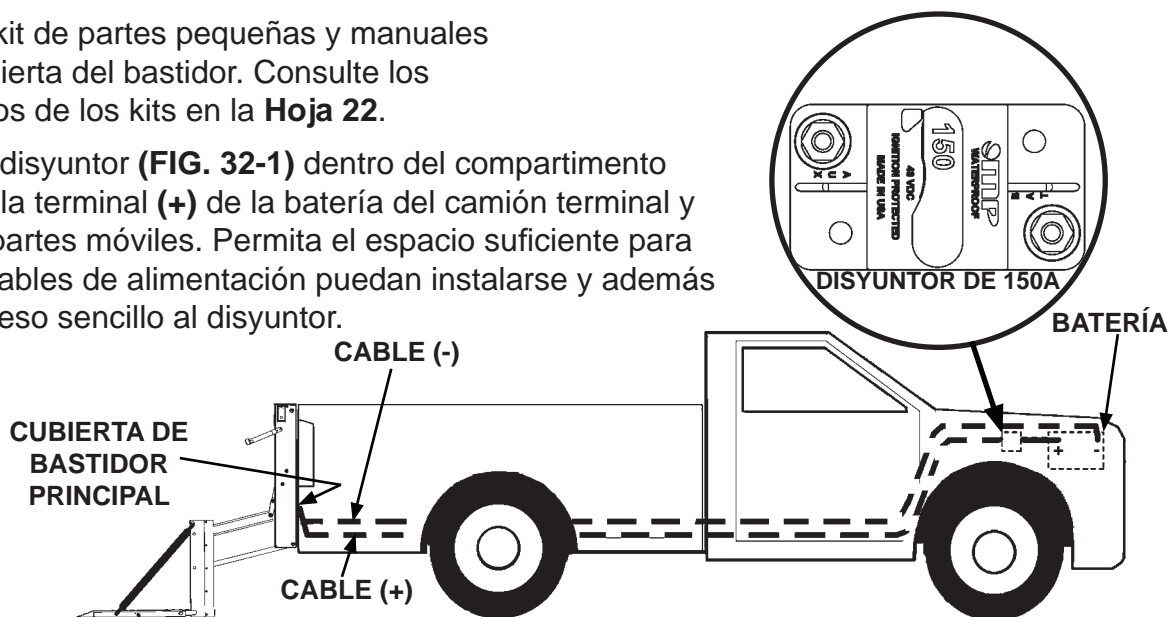


**RETIRAR TAPONES PLÁSTICOS Y REVISAR
ACCESO AL NEUMÁTICO DE REPUESTO
PARA CAMIONETA DODGE**

FIG. 31-1

CANALIZAR CABLES DE ALIMENTACIÓN

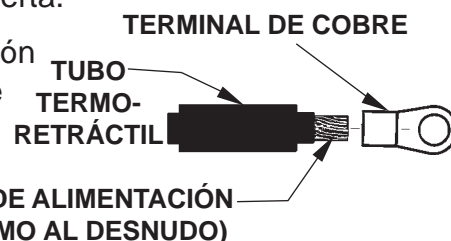
1. Retire el kit de partes pequeñas y manuales de la cubierta del bastidor. Consulte los contenidos de los kits en la **Hoja 22**.
2. Instale el disyuntor (**FIG. 32-1**) dentro del compartimento cerca de la terminal (+) de la batería del camión terminal y lejos de partes móviles. Permita el espacio suficiente para que los cables de alimentación puedan instalarse y además haya acceso sencillo al disyuntor.



INSTALAR CABLES DE ALIMENTACIÓN DEL ELEVADOR A LA BATERÍA

FIG. 32-1

3. Tire de los cables de alimentación (+) y (-) a través del prensacables localizado en la parte posterior de la cubierta del bastidor. Deje aprox. 2" [5 cm] de soltura para los cables dentro de la cubierta.
4. Canalice los cables de alimentación por el bastidor del camión a la batería del mismo (**FIG. 32-1**). Tire del cable excedente hasta pasar las terminales de batería. Después, separe el cable positivo (+) del cable negativo (-).



COLOCAR TERMINAL DE COBRE Y TUBO TERMORETRÁCTIL EN CABLE DE ALIMENTACIÓN

FIG. 32-2

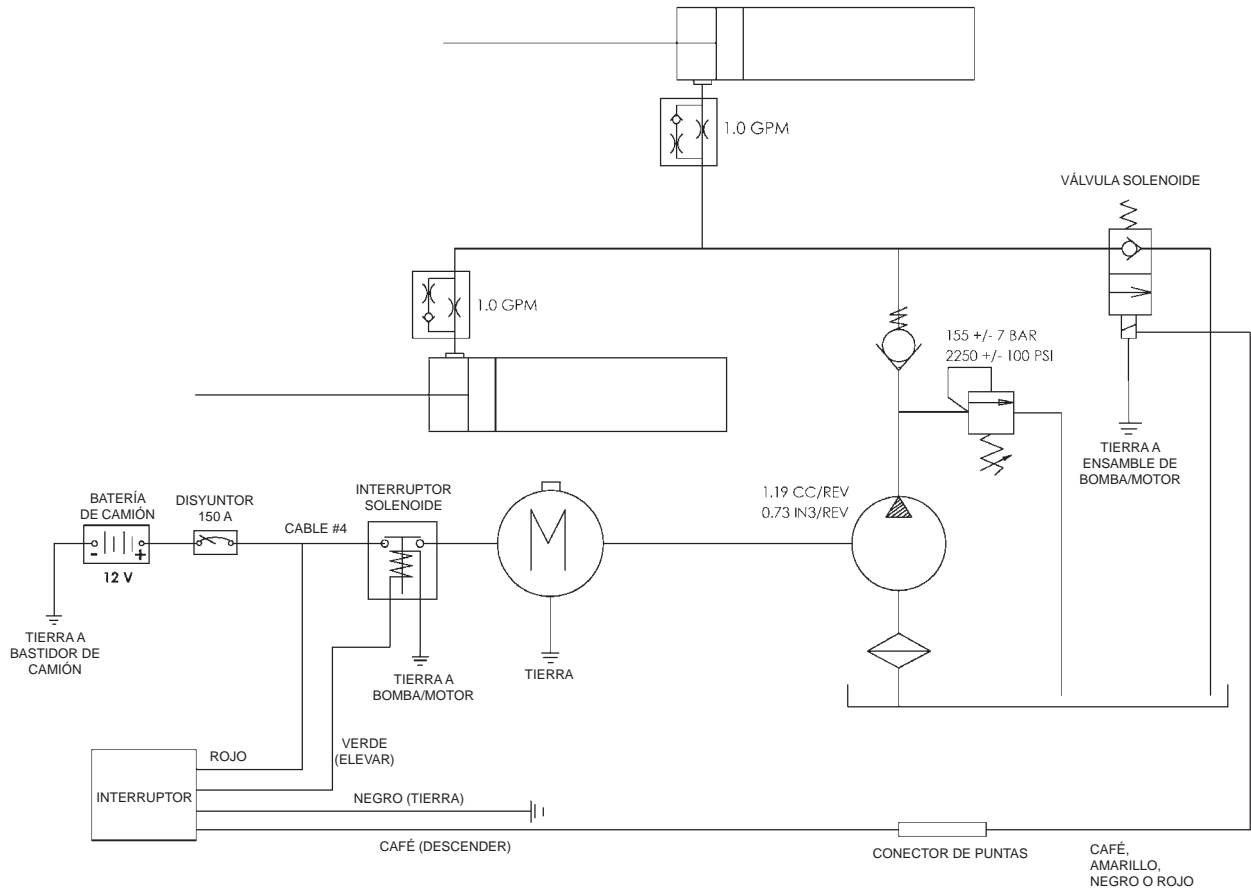
5. Corte el cable positivo (+) a la longitud necesaria para alcanzar la terminal **AUX** del disyuntor (**FIG. 32-1**) sin tensar la conexión. Instale la terminal de cobre (incl. en kit) (**FIGS. 32-2 y 32-3**). Después conecte la terminal **AUX** al disyuntor de 150 A.
6. Corte el cable positivo (+) restante lo suficientemente largo para alcanzar de la terminal **BAT** del disyuntor a la terminal positiva (+) de la batería (**FIG. 32-1**) sin tensar la conexión. Instale las terminales de cobre (incluidas en kit) en ambos lados del cable (**FIGS. 32-2 y 32-3**). Después, conecte el cable a la terminal **BAT** en el disyuntor de 150 A y la terminal positiva (+) en la batería.



CABLE DE ALIMENTACIÓN TÍPICO CON TERMINAL DE COBRE INSTALADA

FIG. 32-3

7. Corte el cable negativo (-) a la longitud necesaria para alcanzar la terminal negativa de la batería (-) sin tensionar la conexión. Instale la terminal de cobre (art. incl. en kit) (**FIGS. 32-2 y 32-3**). Después, conecte el cable a la terminal negativa (-) en la batería.



**DIAGRAMA DE SISTEMAS ELÉCTRICOS E HIDRÁULICOS
PARA ELEVADOR DE CAMIONETA C2
FIG. 33-1**

INSTALAR SOPORTES INFERIORES

PRECAUCIÓN

El elevador puede resultar severamente dañado al conectar el soldador eléctrico al elevador en el lugar equivocado. Para prevenir daño, siempre conecte la tierra directamente al componente a soldar y tan cerca como sea posible a la soldadura.

NOTA: Los soportes inferiores son esenciales para que el Elevador sea instalado correctamente. Se fijan al bastidor de la camioneta y soportan la parte inferior del Elevador.

1. Desatornille las placas de soporte del inferior de la cubierta del bastidor principal (FIG. 34-1).

2. Posicione 2 perfiles de montaje atornillables, lo más cercano al bastidor del camión en la parte inferior de la cubierta del bastidor principal del elevador (FIG. 34-2). Después, atornille cada perfil al agujero hasta que esté ajustado al bastidor del camión.

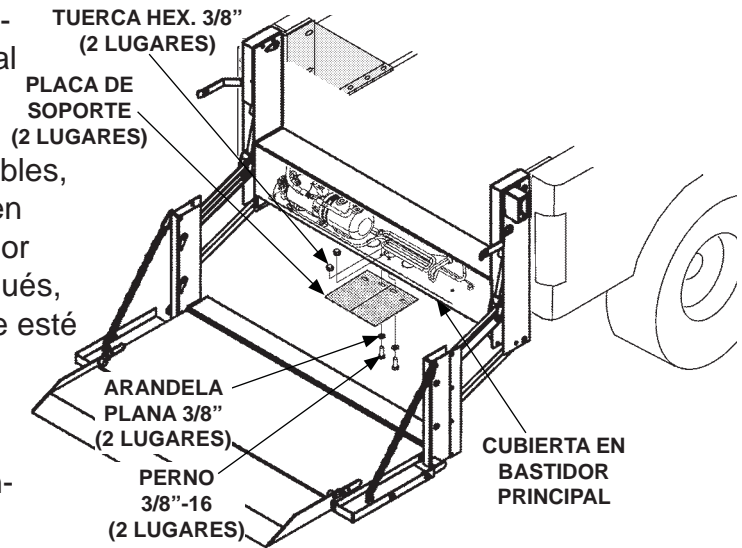
3. Coloque 2 placas de soporte (Arts. incluidos en kit) en el bastidor en la parte inferior de la cubierta en el bastidor principal del Elevador (FIG. 34-2). Atornille al bastidor. Si es necesario modifique las placas de soporte para un mejor ajuste.

4. Use una abrazadera en los 2 perfiles cortos (sin agujeros) (art. del kit) y coloque en las placas de soporte en el bastidor del camión (FIG. 34-2). Posicione los 2 perfiles para alcanzar los perfiles atornillados en la parte inferior de la cubierta del bastidor principal.

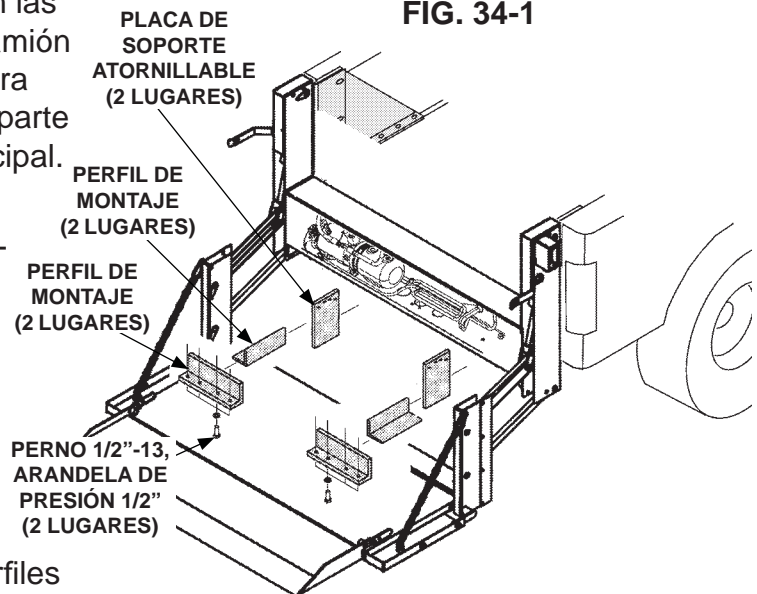
5. Con los perfiles y placas de soporte posicionados y unidos con una abrazadera, soldar con puntos los perfiles y las placas en posición (FIG. 34-2).

6. Desatornille los soportes inferiores que están soldados con puntos (FIG. 34-2). Después, termine de soldar las placas de soporte y los perfiles.

7. Atornille las placas de soporte y los perfiles soldados otra vez en su posición inicial, al fondo de la carcasa del bastidor principal y el bastidor del camioneta (FIG. 34-2).



RETIRAR PLACAS DE SOPORTE DE LA CUBIERTA EN EL BASTIDOR (SE MUESTRA C2) FIG. 34-1



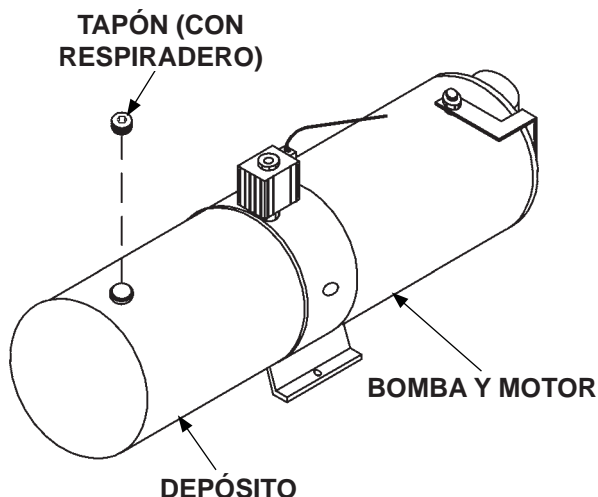
FABRICAR SOPORTES INFERIORES PARA APOYAR ELEVADOR (SE MUESTRA C2) FIG. 34-2

FINALIZAR INSTALACIÓN DEL ELEVADOR

PRECAUCIÓN

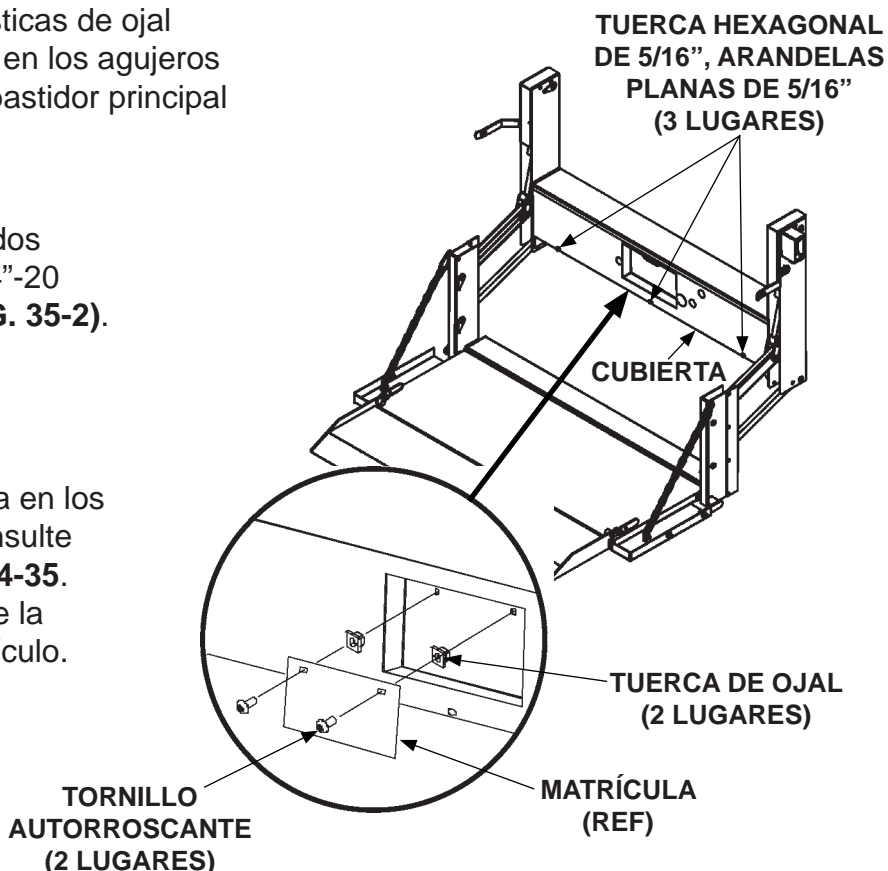
El sistema hidráulico se llena en la fábrica con la cantidad correcta de aceite. No es necesario añadir más aceite a menos que se requiera como parte del mantenimiento periódico del Elevador.

1. Retire el tapón sólido del depósito de la bomba (**FIG. 35-1**). Instale el tapón con respiradero (incluido en kit) en el depósito de la bomba.
2. Atornille la cubierta del bastidor principal (**FIG. 35-2**).



INSTALAR TAPÓN DE VENTILACIÓN EN EL DEPÓSITO DE LA BOMBA
FIG. 35-1

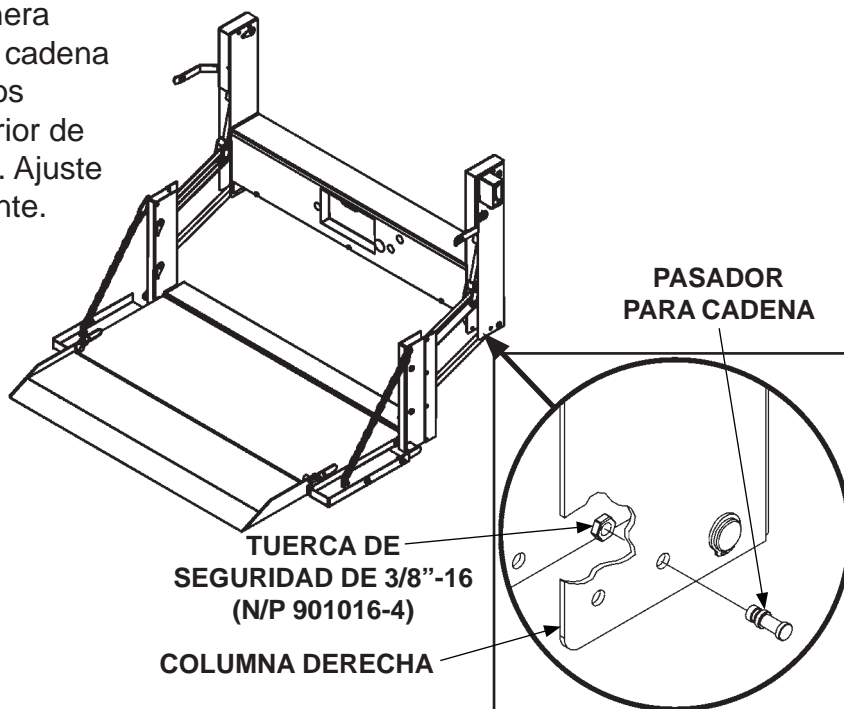
3. Instale tuercas cuadradas plásticas de ojal (incl. en kit) para la matrícula, en los agujeros cuadrados de la cubierta del bastidor principal del Elevador (**FIG. 35-2**).
4. Instale la matrícula utilizando dos tornillos autorroscantes de 1/4"-20 (artículos incluidos en kit) (**FIG. 35-2**).
5. Instale las luces para matrícula en los agujeros proporcionados. Consulte la hoja de instrucciones **MS-14-35**. Después, conecte las luces de la matrícula al cableado del vehículo.



INSTALAR CUBIERTA Y MATRÍCULA (SE MUESTRA ELEVADOR C2)
FIG. 35-2

FINALIZAR INSTALACIÓN DEL ELEVADOR - Cont.

6. Para bajar la plataforma de manera vertical, instale el pasador para cadena y una tuerca de 3/8"-16 (artículos incluidos en kit) en la parte inferior de la columna derecha (**FIG. 36-1**). Ajuste la tuerca de seguridad firmemente.



**INSTALAR PASADOR PARA CADENA
EN LA COLUMNA DERECHA
(SE MUESTRA ELEVADOR C2)
FIG. 36-1**

7. Instale los tapones plásticos redondos de 3/8" en los agujeros vacíos localizados en la parte inferior de las columnas.
8. Si lo retiró antes, reinstale el neumático de repuesto.

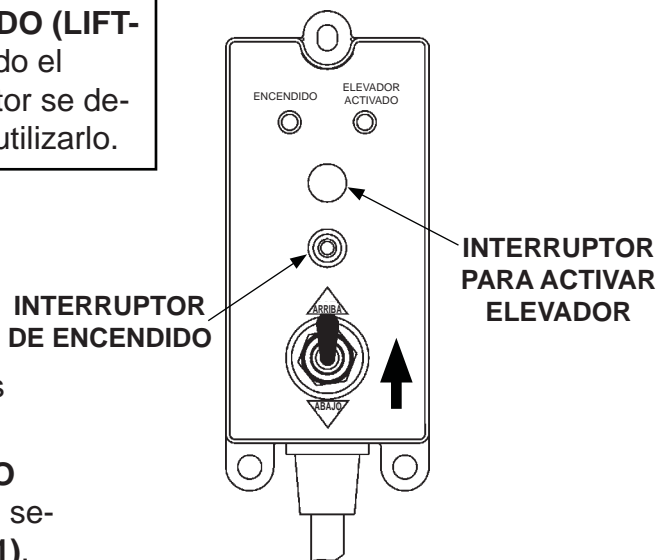
REALIZAR PRUEBA DE OPERACIÓN DEL ELEVADOR

⚠ ADVERTENCIA

Mantenga todos objeto ajenos fuera del bastidor principal del Elevador y lejos de los puntos de apriete cuando el Elevador esté en operación.

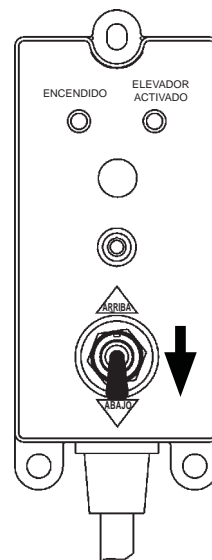
NOTA: La luz LED del **ELEVADOR ACTIVADO (LIFT-GATE ACTIVATED)** se ilumina cuando el Elevador está encendido. El interruptor se desactivará después de 90 seg. de no utilizarlo.

1. Revisar la correcta operación del interruptor presionando el botón de **ENCENDIDO (POWER ON)** una vez para activarlo. Ahora presione el botón de **ENCENDIDO** nuevamente para desactivar el Elevador. Después, presione el botón de **ENCENDIDO** dos veces para restablecer el voltaje bajo (**FIG. 37-1**).
2. Presionar el botón de **ELEVADOR ACTIVADO (LIFGATE ACTIVATED)** antes de que pase 1 segundo para activar el temporizador (**FIG. 37-1**).
3. Eleve (**UP**) y descienda (**DN**) la plataforma sin carga (**FIGS. 37-1** y **37-2**) sobre terreno plano. Verifique la correcta velocidad de operación y alineación en relación al suelo.



VERIFICAR OPERACIÓN DEL INTERRUPTOR Y ELEAR LA PLATAFORMA
FIG. 37-1

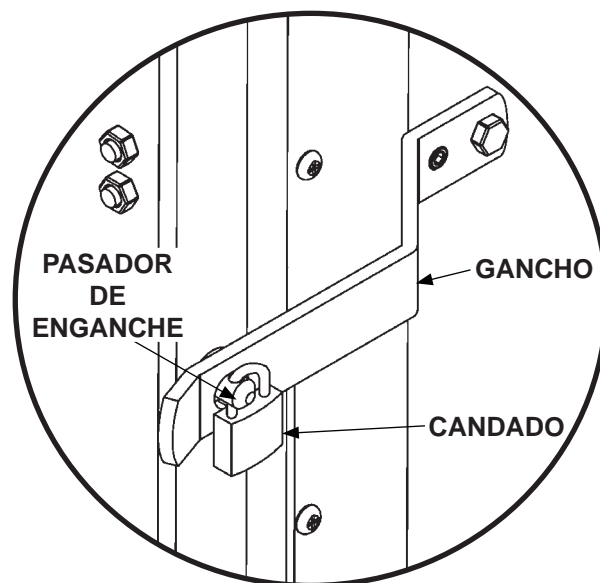
4. Cargue la plataforma con la capacidad nominal y mida el tiempo que toma **ELEVAR** la plataforma (**FIG. 37-1**). La plataforma debe elevarse aproximadamente de 2" a 3" [5 a 8 cm] por segundo.
5. Examine la plataforma buscando cualquier clase de inclinación descendiente.
6. Mida el tiempo que toma **DESCENDER** la plataforma aún cargada (**FIG. 37-2**). La carga debe descender de 7" a 9" [18 a 23 cm] por segundo.
7. Retire la carga de la plataforma y examine tanto el Elevador como el vehículo buscando fugas hidráulicas, cableado suelto y cualquier otro problema.
8. Reinstale la cubierta de la cubierta del bastidor principal. Después, cierre y enganche la plataforma.



UTILIZAR INTERRUPTOR PARA DESCENDER LA PLATAFORMA
FIG. 37-2

REALIZAR PRUEBA DE OPERACIÓN DEL ELEVADOR - Cont.

9. Asegure el gancho en el lado derecho o izquierdo a través del agujero en el pasador de enganche (**FIG. 38-1**).



**ASEGURAR PLATAFORMA
(ELEVADOR C2)
FIG. 38-1**