

CONVENTIONAL SERIES **MAXON**[®]

GPC 33 X4 & 44 X4 Cantilevers

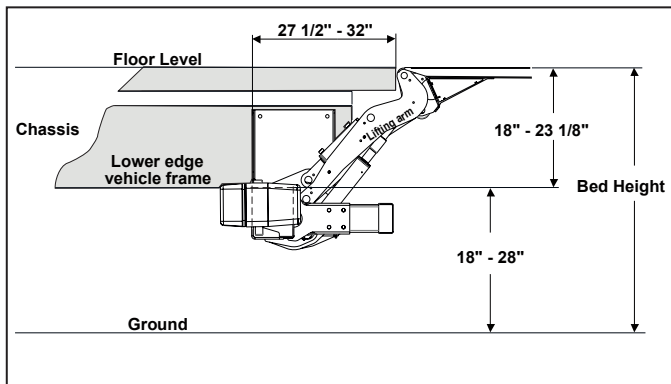


X4
Technology

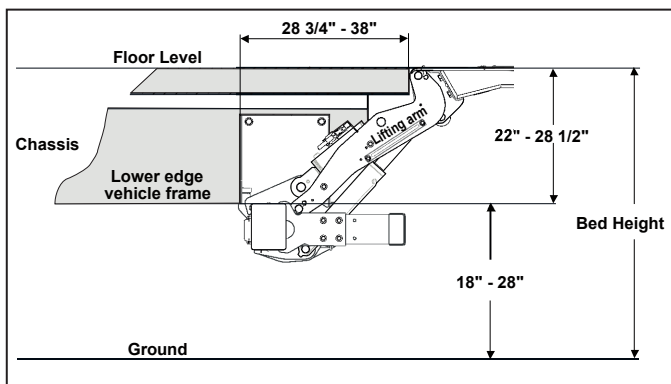
GPC 33 X4 & 44 X4 Specifications

The GPC X4 cantilever series maximizes power and stability for heavy load applications

- The patent-pending X4 technology features 2 lifting and 2 tilting cylinders that are stacked above each other. This design optimizes platform stability and leaves more space for light placement
- Aluminum platform is robust and lightweight
- Dual platform cart-stops
- When stowed, the underside of the flat platform surface is ideal for decals
- 0.2" thin, water proof main control panel and hand-held remote control comes standard
- Equipped with service switch, which enables the service mechanic to operate and test all lift functions
- Equipped with grease-free bearings



GPC X4 33 Mounting Dimension



GPC X4 44 Mounting Dimension

Please refer to installation manual for specific mounting requirements

MODEL CAPACITY	PLATFORM SIZE	STYLE	TOTAL WEIGHT	BED HEIGHT
GPC 33 X4 (3,300 Lbs.)	60" x 92"	Wedge	923 Lbs.	40" Min. Laden
	60" x 98"		938 Lbs.	
	72" x 92"		945 Lbs.	51" Max. Unladen
	72" x 98"		960 Lbs.	
	84" x 92"		967 Lbs.	
GPC 44 X4 (4,400 Lbs.)	84" x 98"		982 Lbs.	43" Min. Laden
	72" x 92"		1,208 Lbs.	
	72" x 98"		1,228 Lbs.	56.5" Max. Unladen
	84" x 92"		1,230 Lbs.	
	84" x 98"		1,250 Lbs.	

CONVENTIONAL SERIES **MAXON**[®]

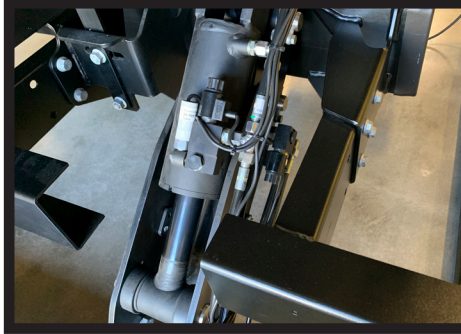
GPC 33 X4 & 44 X4 Cantilevers

Standard Features

- Aluminum platform
- Platform automatic leveling with soft landing
- Platform warning lights
- Dual cart stops
- Platform ground rollers
- Stainless cylinder rods with nitrate treatment
- Completely sealed flat panel main control
- Hand held control
- Cab cut-off switch

Optional Features

- Full Door Seal Kit
- Flip-Up Door with Seal Kit
- Side Roll Off Guards
- Install Fixture
- 24 Volt Pump/Motor System



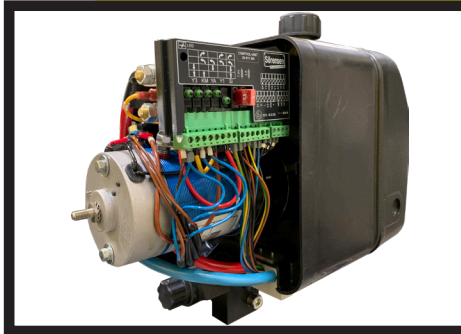
X4 Technology

X4 design technology features 2 lifting and 2 tilting cylinders that are stacked above each other. This design optimizes platform stability and leaves more space for light placement



New Generation Control

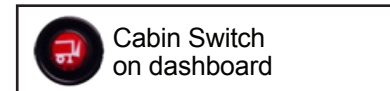
The GPC main control is completely sealed and is only 3/16" thick. This design allows placement in many different locations



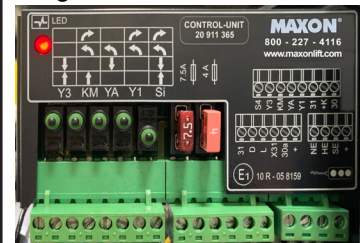
Control Unit with Built-In Diagnostics

LED lights allow for quick assessment and root cause tracing

Lift Switch On	Platform Position	Diagnose LED
No	Closed 90°	Off
Yes	Closed 90°	On
Yes	Open > 90°	Off
Yes	Horizontal 0°	Off
Yes	Tilted Down 0°-Minus 10°	On
Yes	Switch On Control Panel	Blink
Yes	Switch On Foot Control	Blink
Yes	Switch On Hand Control	Blink



Diagnose LED



Distributed by:

M-264-0521