

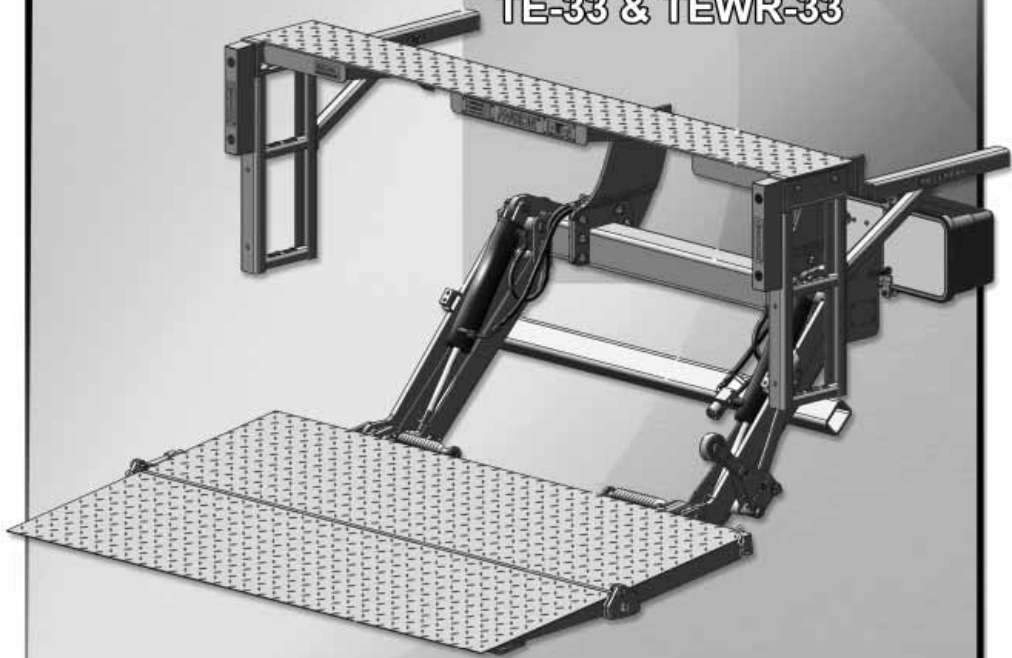
M-17-11
REV. B
APRIL 2020

MAXON[®]

TE-25DC & TE-33

OPERATION MANUAL

TE-25DC & TEWR-25DC
TE-33 & TEWR-33



To find maintenance & parts information for your **TE-25DC** or **TE-33 Liftgate**, go to www.maxonlift.com. Click the **PRODUCTS, TUK-A-WAY & TE-25DC/TE-33** buttons. Open the **Maintenance Manual** in the **PRODUCT DOCUMENTATION** window. For parts, click on the **PARTS PORTAL, TUK-A-WAY & TE-25DC/TE-33** buttons.

KEEP THIS MANUAL IN CAB OF VEHICLE

Register your liftgate on line at www.maxonlift.com/html/services/reg.htm.
For a free copy of other manuals that pertain to these liftgate models, please visit our website at www.maxonlift.com or call Customer Service at (800) 227-4116.

© 2020 MAXON Lift Corp.

TABLE OF CONTENTS

| | |
|--|-----------|
| SUMMARY OF CHANGES: M-17-11 REV B..... | 4 |
| WARNINGS..... | 6 |
| LIFTGATE TERMINOLOGY | 7 |
| RECOMMENDED DAILY OPERATION CHECKS..... | 8 |
| DECALS: TE-25DC & TE-33 | 10 |
| DECALS & PLATES | 12 |
| DECALS: TEWR-25DC & TEWR-33 | 14 |
| DECALS & PLATES | 16 |
| FORKLIFT ADVISORY | 18 |
| ROADSIDE OPERATION ADVISORY | 19 |
| OPERATION..... | 20 |

SUMMARY OF CHANGES: M-17-11 REV B

| PAGE | DESCRIPTION OF CHANGE |
|-------------|---|
| Cover | Updated REV and date of release. |
| 10,12 | Updated OPERATING INSTRUCTIONS decal to latest with QR code. Added new bilingual Parts Portal decal with QR code. |

THIS PAGE INTENTIONALLY LEFT BLANK

WARNING

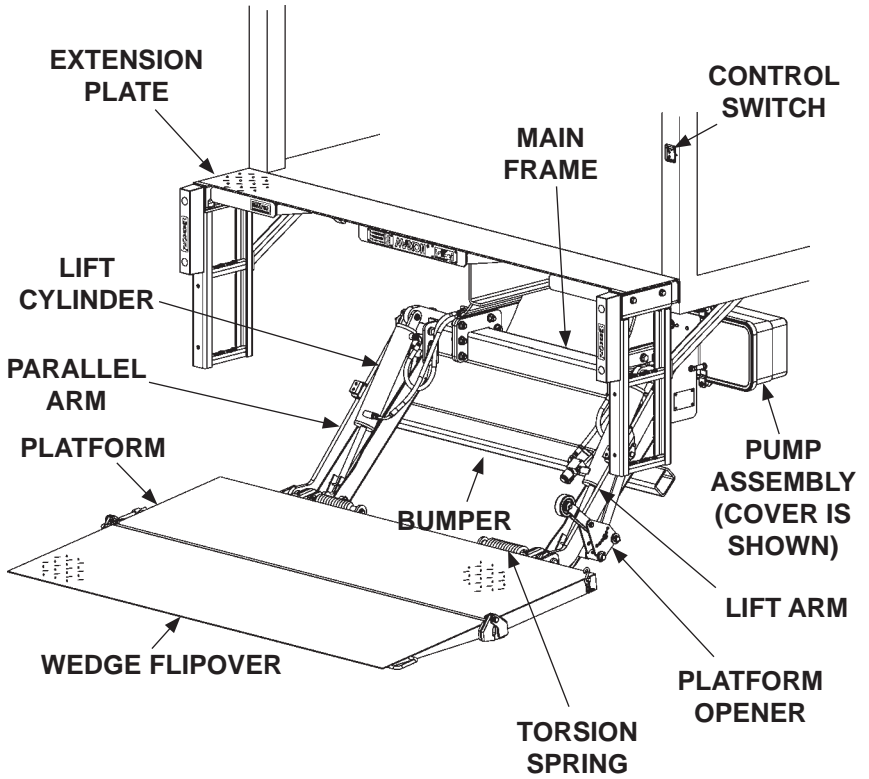
1. Incorrect operation of this Liftgate can result in serious personal injury. Comply with **WARNINGS** and Liftgate operating instructions in this manual. Do not allow untrained persons or children to operate the Liftgate. If you need to replace an **Operation Manual**, additional copies are available from:

**MAXON Lift Corp.
11921 Slauson Ave
Santa Fe Springs, CA 90670
(800) 227-4116**

NOTE: For latest version manuals (and replacements), download manuals from Maxon's website at **www.maxonlift.com**.

2. Do not exceed rated load capacity of the Liftgates, which is **2500 lb** for all models of **TE-25DC** and **3300 lb** for all models of **TE-33**.
3. Do not allow any part of your body to be placed under, within, or around any portion of the moving Liftgate or its mechanisms, or in a position that would trap them between the platform and the floor of truck body (or between platform and the ground) when Liftgate is operated.
4. Consider the safety and location of bystanders and location of nearby objects when operating the Liftgate. Stand to one side of platform while operating the Liftgate. Be certain that the area the Liftgate will move through during operation is clear of all obstacles.
5. Comply with all attached instruction decals and warning decals.
6. Keep decals clean and legible. If decals are illegible or missing, have them replaced. **Get free replacement decals from Maxon.**
7. **Never drive a forklift on the Liftgate platform.**
8. Do not move vehicle unless Liftgate is correctly stowed.
9. **Correctly stow platform when not in use. Extended platforms could create a hazard for people and vehicles passing by.**
10. A correctly installed Liftgate will operate smoothly and reasonably quiet. The only noticeable noise, during Liftgate operation, is from the power unit while the platform is raised. Listen for scraping, grating and binding noises and have the problem corrected before continuing to operate the Liftgate.
11. Above all, **USE GOOD COMMON SENSE** when operating this Liftgate.
12. Never use a cell phone while operating the Liftgate.

LIFTGATE TERMINOLOGY



RECOMMENDED DAILY OPERATION CHECKS

NOTE: Before you check the Liftgate, park vehicle on flat ground and set the parking brake.

NOTE: If any of the following operation checks reveal a need to service or repair Liftgate, do not operate the Liftgate until a qualified mechanic services or repairs the Liftgate.

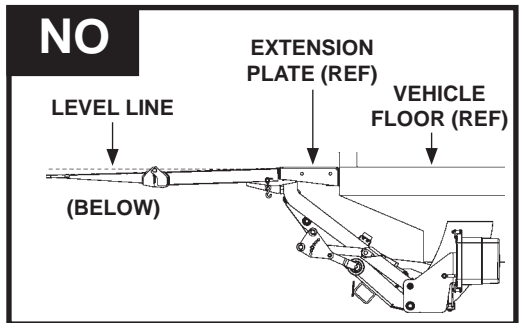
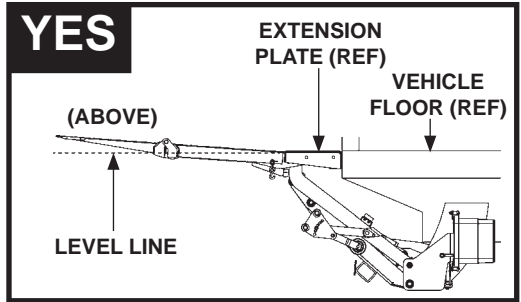
Before operating the Liftgate, the operator should do the following:

- Make sure battery is fully charged and battery terminal connections are clean and tight.
- Make sure cab cutoff switch is **ON**, if equipped.
- Visually check that pump cover is bolted on securely and undamaged. Look for hydraulic fluid leaking from the pump box.
- Visually check that control switch is in place and undamaged.
- Visually check for cracks and bends on the extension plate. Also, make sure fasteners are in place and undamaged and extension plate is clean (no oil, debris, or corrosion).
- Visually check that all decals are in place (see **DECALS** page). Make sure decals are legible, clean, and undamaged.

Use the operation instructions in this manual to lower the Liftgate to the ground and open the platform and flipover.

- Check main frame, lift arms, parallel arms and platform openers for cracks and bends. Make sure rollers, on the platform openers, roll freely. Also, make sure all bolts and pins are in place and undamaged.
- Make sure main frame, lift arms, parallel arms and platform openers are clean (no oil, debris, or corrosion).
- Check the hydraulic cylinders for leaking seals and hose connections. Follow the hydraulic hoses (or return lines for gravity down Liftgates) from the cylinders to pump box. Make sure all hoses are connected at both ends and there are no cracks, chafing, and fluid leaks.

- With the platform unfolded and raised to bed level, check if the outboard edge of platform is level or rises up to 1" above bed level (**YES illustration**). If the outboard edge of platform looks like the **YES illustration**, you can operate Liftgate. If the outboard edge of platform is below level line and platform looks like the **NO illustration**, do not operate the Liftgate. (See **NOTE** at beginning of the **DAILY OPERATION CHECKS**.)



- Check the platform and flipover for cracks, holes, and bends on the load-carrying surface and side plates. Also, make sure torsion bars, coil springs, and fasteners are in place and undamaged.
- Make sure platform and flipover load-carrying surfaces are clean (no oil, debris, or corrosion).

Use the operation instructions in this manual to operate the Liftgate through one cycle without a load on the platform. Raise the platform to vehicle bed height. Next, lower the platform to ground level.

- When the Liftgate is moving, listen for unusual noises and look for a “jerking” motion or uneven movement on either side of the platform.

If service or repairs are not required (or if completed), stow the Liftgate.

DECALS: TE-25DC & TE-33

NOTE: Ensure there is no residue, dirt or corrosion where decals are attached. If necessary, clean surface before attaching decals.

MAXON 24

24/7 LIFTGATE SUPPORT

- Around-the-clock nationwide assistance
- Trained technicians on-call to diagnose and troubleshoot

866 MAXON 24
(866) 629-6624
maxonlift.com/24

P/N 298634-01

**MAXON 24/7
SUPPORT DECAL
P/N 298634-01**

WARNING

A Liftgate extending from a moving vehicle could injure bystanders & damage property. Slow liftgate in correct transit position before moving vehicle.

DECAL P/N 282847-02

**WARNING DECAL
P/N 282847-02**

**UP
ARRIBA**

**UP DECAL
P/N 299038-01**

**DOWN
ABAJO**

**DOWN DECAL
P/N 299038-01**

THE MAXIMUM CAPACITY OF THIS LIFT IS

___ LBS [___ KG]

WHEN THE LOAD IS CENTERED ON THE LOAD CARRYING PLATFORM

**CAPACITY DECAL
(REFER TO TABLE 62-1)**

OPERATING INSTRUCTIONS

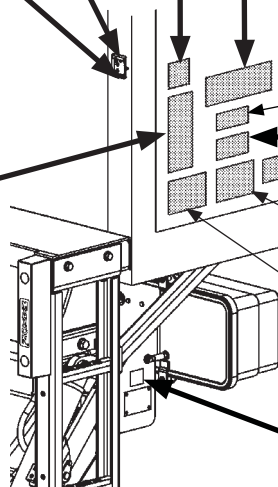
TE-SERIES

Scan this QR code to see operation manual or video.

| OPERATE | STOW |
|--|--|
| 1. Flipper switch DOWN. | 1. Hold platform down until it locks in Transit Position of retracted. |
| 2. Hold platform down until it locks in Transit Position of retracted. | 2. Flipper switch UP. |
| 3. Release of equipment support handle and | 3. Flipper switch UP. |
| 4. Raise Chassis. | 4. Right extend. |

P/N 285800-03

**INSTRUCTION
DECAL
P/N 285800-03**



DECAL "F"

DECAL "B"

DECAL "A"

DECAL "C"

MAXON

Scan for Parts Breakdown

Escanee para el desglose de partes

P/N 299348-03

**PARTS QR CODE DECAL
P/N 299348-03 (TE-33)
P/N 299348-04 (TE-25DC)**

SAFETY INSTRUCTIONS

Read all decals and operation manual before operating liftgate.

1. Do not use liftgate unless you have been properly instructed and have read, and are familiar with, the operating instructions.
2. Be certain vehicle is properly and securely braked before using the liftgate.
3. Always inspect this liftgate for maintenance or damage before using it. Do not use liftgate if it shows any sign of damage or improper maintenance.
4. Do not overload.
5. Make certain the area in which the platform will open and close is clear before opening or closing the platform.
6. Make certain platform area, including the area in which loads may fall from platform, is clear before and at all times during operation of liftgate.
7. This liftgate is intended for loading and unloading of cargo only. Do not use this liftgate for anything but its intended use.

(A)

WARNING

Read this information carefully.

- Improper operation of this Liftgate can result in serious personal injury. If you do not have a copy of the operating instructions, please obtain them from your employer, distributor, or dealer before you attempt to operate Liftgate.
- If there are signs of improper maintenance, damage to vital parts, or slippery platform surface, do not use the Liftgate until these problems have been corrected.
- If you are using a pallet jack, be sure it can be maneuvered safely.
- Do not operate a forklift on the platform.
- Do not allow any part of yours or your helper's body to be placed under, within, or around any portion of the moving Liftgate, or its mechanisms, or in a position that would trap them between the platform and the ground or truck when the Liftgate is operated.
- If a helper is riding the platform with you, make sure you are both doing so safely and that you are not in danger of coming in contact with any moving or potentially moving obstacles.
- **USE GOOD COMMON SENSE.**
- If load appears to be unsafe, do not lift or lower it.

For a free copy of other manuals that pertain to this model Liftgate, please visit our website at www.maxontiff.com or call Customer Service at (800) 227-4116.

(C)



DECAL SHEET
P/N 282522-01
FIG. 11-1

| MODEL | DECAL P/N | CAPACITY |
|---------|-----------|-----------------------|
| TE-25DC | 220382 | 2500 POUNDS [1134 KG] |
| TE-33 | 220388-02 | 3300 POUNDS [1500 KG] |

CAPACITY DECALS
TABLE 11-1

DECALS & PLATES

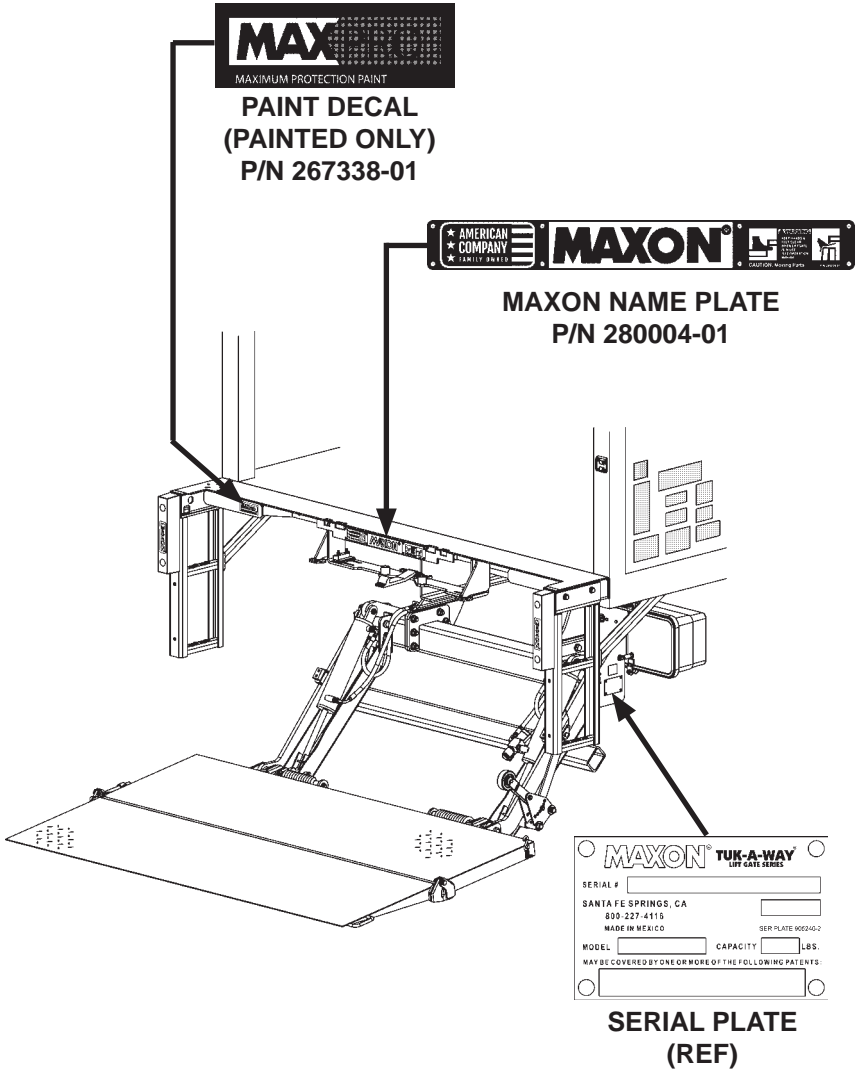


FIG. 12-1

THIS PAGE INTENTIONALLY LEFT BLANK

DECALS: TEWR-25DC & TEWR-33

NOTE: Ensure there is no residue, dirt or corrosion where decals are attached. If necessary, clean surface before attaching decals.

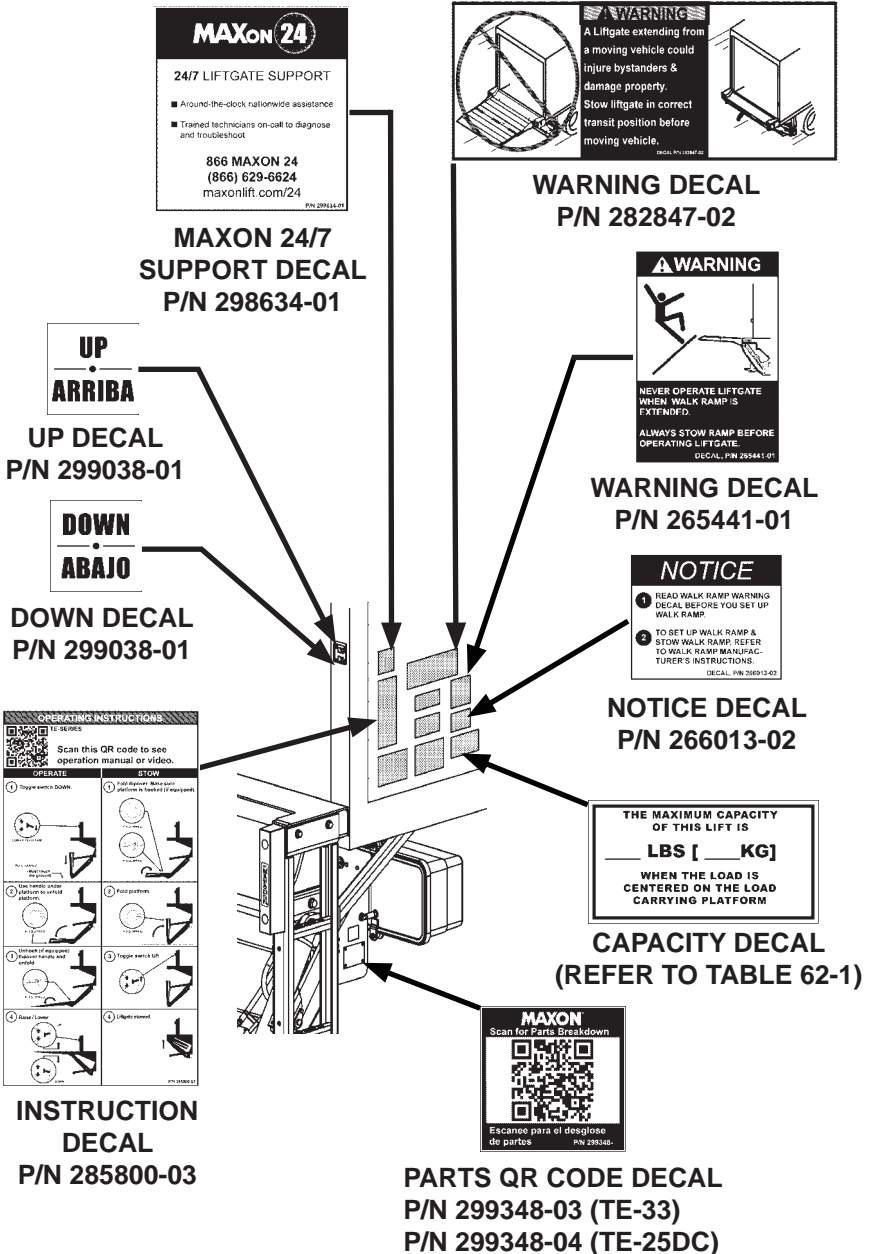


FIG. 14-1

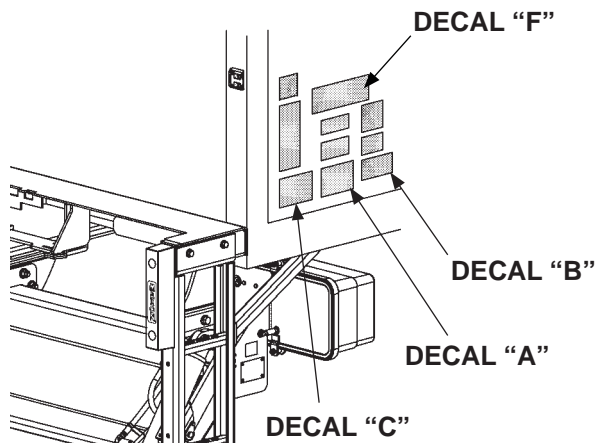


FIG. 15-1

| | |
|--|--|
| <p>SAFETY INSTRUCTIONS</p> <p>Read all decals and operation manual before operating liftgate.</p> <ol style="list-style-type: none"> Do not use liftgate unless you have been properly instructed and have read, and are familiar with, the operating instructions. Be certain vehicle is properly and securely braked before using the liftgate. Always inspect this liftgate for maintenance or damage before using it. Do not use liftgate if it shows any sign of damage or improper maintenance. Do not overload. Make certain the area in which the platform will open and close is clear before opening or closing the platform. Make certain platform area, including the area in which loads may fall from platform, is clear before and at all times during operation of liftgate. This liftgate is intended for loading and unloading of cargo only. Do not use this liftgate for anything but its intended use. <p style="text-align: right;">A</p> | <p>WARNING</p> <p>Liftgate hazards can result in crushing or falling.</p> <p>Keep hands and feet clear of pinch points.</p> <p>If riding liftgate, make sure load is stable and footing is solid.</p> <p style="text-align: right;">P/N 28252-01 B</p> <p>Read and understand all instructions and WARNINGS before use.</p> |
| <p>WARNING</p> <p>Read this information carefully.</p> <ul style="list-style-type: none"> Improper operation of this liftgate can result in serious personal injury. If you do not have a copy of the operating instructions, please obtain them from your employer, distributor, or dealer before you attempt to operate the liftgate. If there are signs of improper maintenance, damage to vital parts, or slippery platform surface, do not use the liftgate until these problems have been corrected. If you are using a pallet jack, be sure it can be maneuvered safely. Do not operate a forklift on the platform. Do not allow any part of your or your helper's body to be placed under, within, or around any portion of the moving liftgate, or its mechanisms, or in a position that would trap them between the platform and the ground or truck when the liftgate is operated. If a helper is riding the platform with you, make sure you are both doing so safely and that you are not in danger of coming in contact with any moving or potentially moving obstacles. USE GOOD COMMON SENSE. If load appears to be unstable, do not lift or lower it. <p style="text-align: right;">C</p> <p><small>For a free copy of the operating instructions for this model liftgate, please visit our website at www.maxwellift.com or call Customer Service at 800-327-4116.</small></p> | <p>CAUTION</p> <p>Always stand clear of platform area.</p> <p style="text-align: right;">F</p> |

DECAL SHEET P/N 282522-01

FIG. 15-2

| MODEL | DECAL P/N | CAPACITY |
|-----------|-----------|-----------------------|
| TEWR-25DC | 220382 | 2500 POUNDS [1134 KG] |
| TEWR-33 | 220388-02 | 3300 POUNDS [1500 KG] |

CAPACITY DECALS
TABLE 15-1

DECALS & PLATES

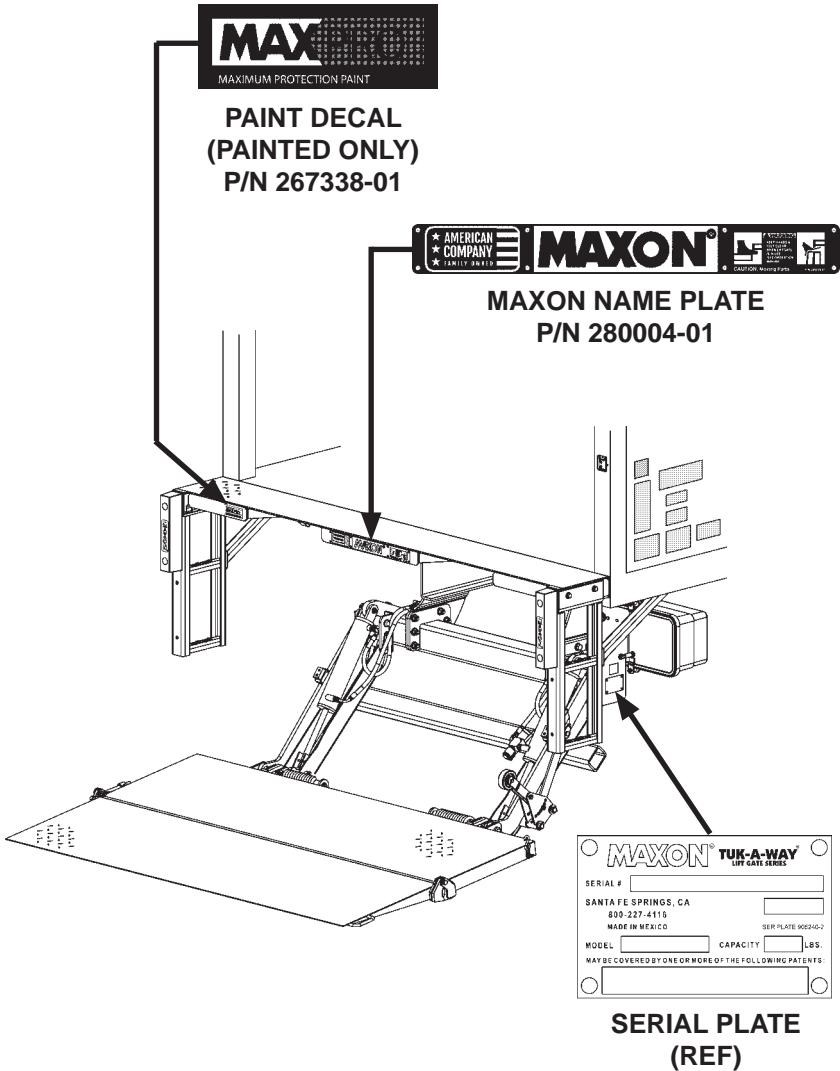


FIG. 16-1

THIS PAGE INTENTIONALLY LEFT BLANK

FORKLIFT ADVISORY

⚠ WARNING

Keep forklift OFF of platform.

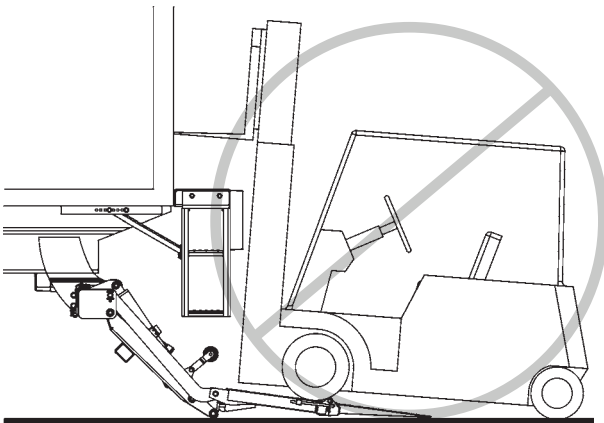
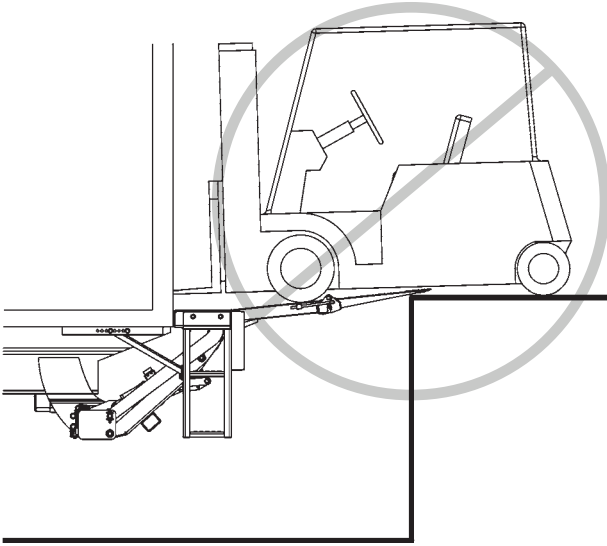


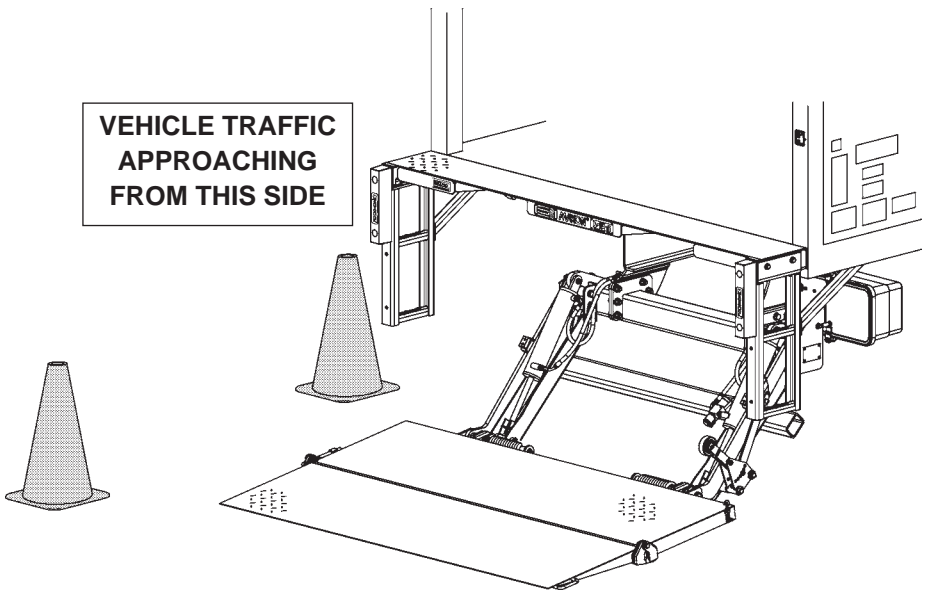
FIG. 18-1

ROADSIDE OPERATION ADVISORY

WARNING

Operating the Liftgate by the side of a busy road with vehicle traffic increases the chance of personal injury and damage to Liftgate, cargo & vehicle. Making the loading area more visible to passing traffic can help reduce the chance of injury and damage.

NOTE: MAXON recommends placing at least 2 traffic cones on the traffic side of the platform loading area as illustrated below. Remove cones after platform is stowed and before moving the vehicle.

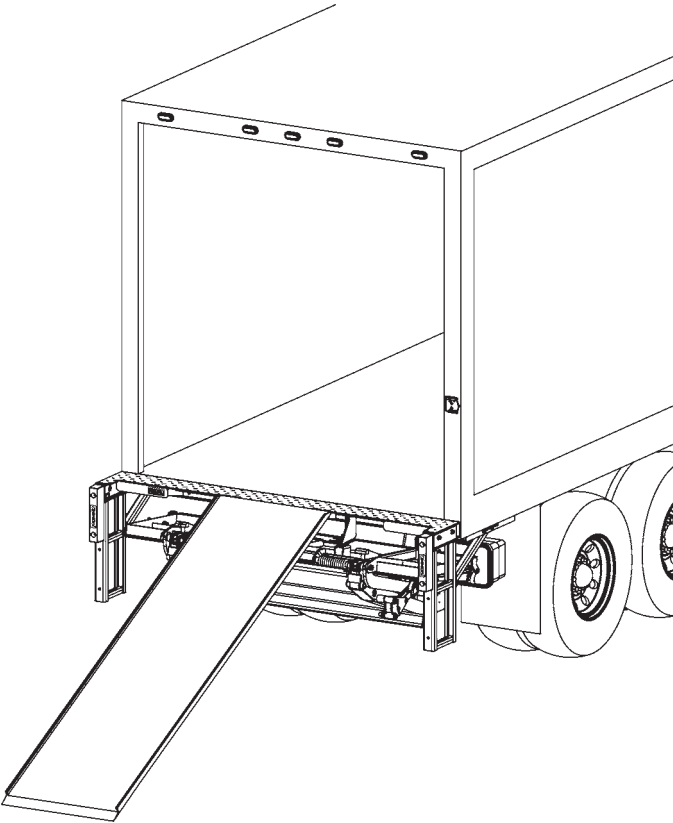


**TRAFFIC CONES POSITIONED BY PLATFORM LOADING AREA
(TE-25DC OR TE-33 LIFTGATE SHOWN)**

FIG. 19-1

OPERATION

NOTE: On vehicles equipped with **TEWR-25DC** OR **TEWR-33** Liftgates, see the manufacturer's instructions to use walk ramp. Follow all the **WARNINGS & CAUTIONS** that apply to the walk ramp.



**TRUCK EQUIPPED WITH WALK RAMP &
TEWR-25DC OR TEWR-33 LIFTGATE
(LIFTGATE SHOWN STOWED &
RAMP SHOWN DEPLOYED)**

FIG. 20-1

CAUTION

If vehicle is equipped with walk ramp, never operate Liftgate with extended trailer hitch and/or walk ramp. Platform, hitch, & walk ramp will be damaged. Always stow trailer hitch and/or walk ramp before operating liftgate.

1. Standing to the side of platform (**FIG. 21-1A**), push the toggle switch to the **DOWN** position as shown in **FIG. 21-1B**.

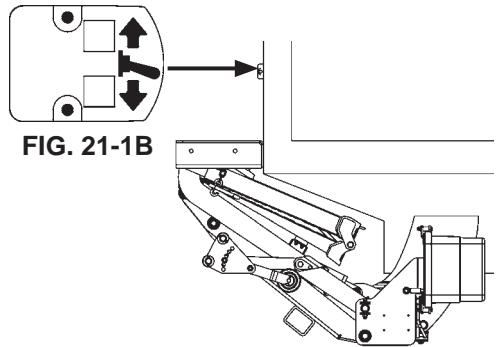
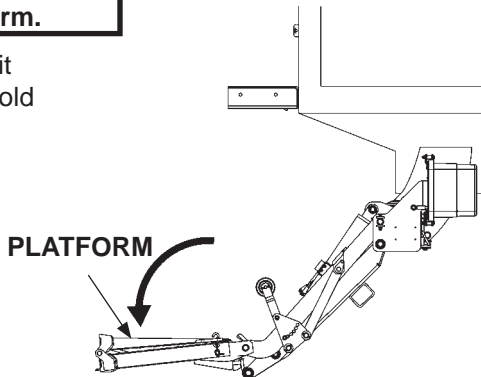


FIG. 21-1A

⚠ WARNING

Never operate control switch while unfolding platform.

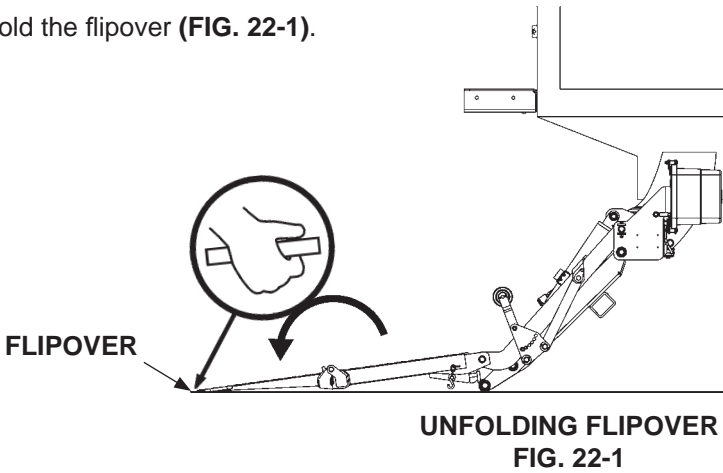
2. Lower the platform until it touches the ground. Unfold platform (**FIG. 21-2**).



UNFOLDING PLATFORM
FIG. 21-2

OPERATION - Continued

3. Unfold the flipover (**FIG. 22-1**).



NOTE: While operating the Liftgate, release the toggle switch to stop the platform.

4. Raise the platform (**FIG. 22-2A**) by pushing the toggle switch to the **UP** position (**FIG. 22-2B**). Wait a second before releasing the toggle switch, after platform reaches bed height. To lower the platform, push the toggle switch to the **DOWN** position (**FIG. 22-2C**).

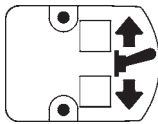


FIG. 22-2B

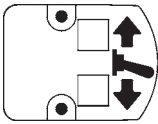
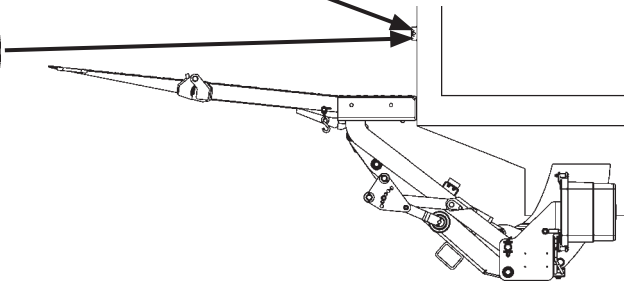


FIG. 22-2C

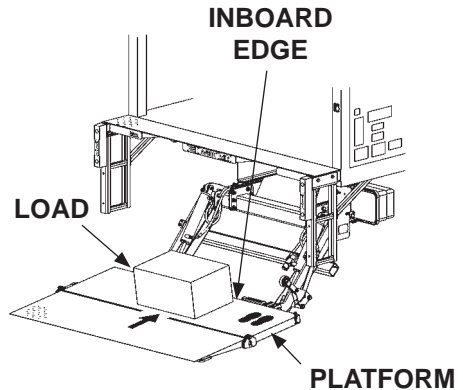


**RAISING & LOWERING PLATFORM
FIG. 22-2A**

WARNING

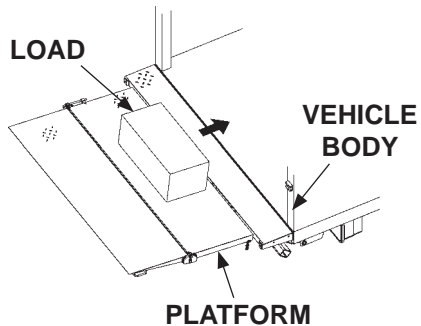
A load should never extend past the edges of the platform. Do not place unstable loads on platform and do not allow load to exceed the lifting capacity of the Liftgate. If standing on platform, do not allow your feet to extend beyond the inboard edge of the platform.

5. Load the platform at ground level as shown in **FIG. 23-1**. Place all loads as close as possible to the inboard edge of the platform with heaviest part toward the truck body as shown in **FIG. 23-1**. If standing on platform with the load, stand in the footprint area shown and comply with the **WARNING**.



LOADING PLATFORM AT GROUND LEVEL
FIG. 23-1

6. Raise the platform to bed level (**FIG. 23-2**). Move load from platform to inside the vehicle body.



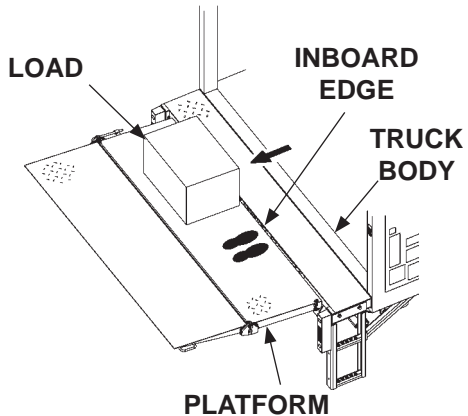
LOADING PLATFORM AT BED LEVEL
FIG. 23-2

OPERATION - Continued

WARNING

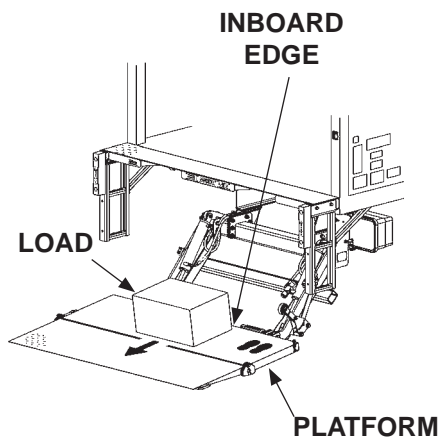
Pulling the load from vehicle to platform can result in a fall from platform and cause serious injury. When unloading vehicle, always push the load out on the platform.

7. Load the platform at bed level as follows. Push load out of the vehicle to correct position on the platform (**FIG. 24-1**). Place all loads as close as possible to the inboard edge of the platform with heaviest part toward the truck body as shown in **FIG. 24-1**. If standing on platform with the load, stand in the footprint area shown and comply with the **WARNING** on the previous page.



LOADING PLATFORM AT BED LEVEL
FIG. 24-1

8. Lower the platform to ground level (**FIG. 24-2**). Move load off the platform (**FIG. 24-2**).



PLATFORM AT GROUND LEVEL
FIG. 24-2

⚠ WARNING

Never move the vehicle unless the Liftgate is properly stowed.

9. Before moving the vehicle, prepare the Liftgate as follows. Make sure load is removed from platform. If the platform is at bed height, push the toggle switch to the **DOWN** position as shown in **FIG. 25-1B**. Release toggle switch when platform touches the ground (**FIG. 25-1A**).

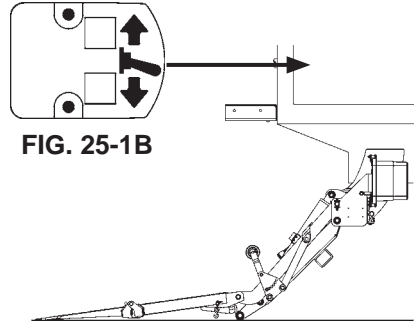


FIG. 25-1B

**LOWERING LIFT
FIG. 25-1A**

10. Stow the Liftgate by doing the following. Raise the platform 2" above the ground (**FIG. 25-2A**) by pushing the toggle switch to the **UP** position (**FIG. 25-2B**).

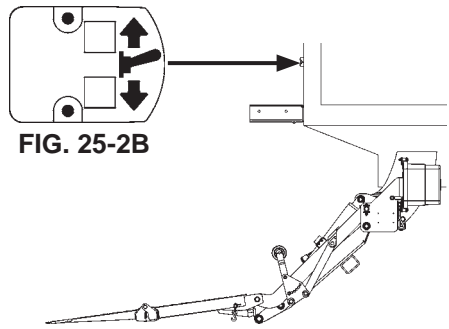


FIG. 25-2B

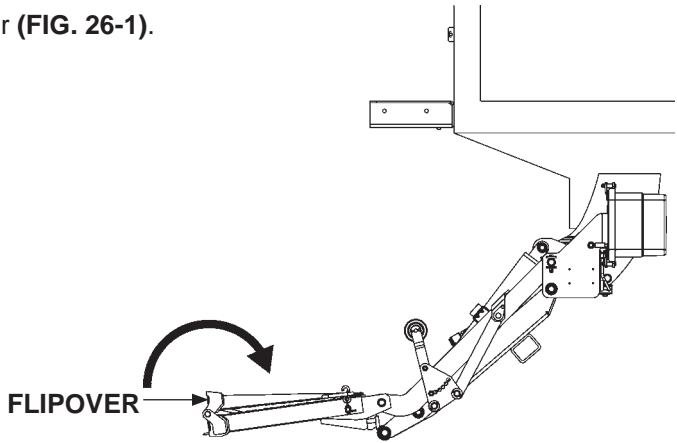
**RAISING LIFT
FIG. 25-2A**

OPERATION - Continued

WARNING

Keep hands clear of the platform support when folding flipover.

11. Fold the flipover (FIG. 26-1).

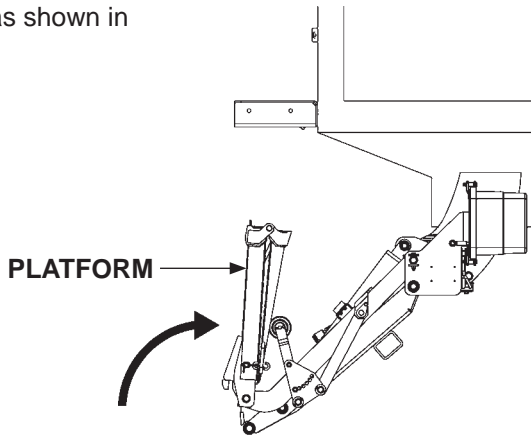


FOLDING FLIPOVER
FIG. 26-1

WARNING

Keep hands clear of the extension plate when folding the platform under the extension plate.

12. Fold the platform as shown in FIG. 26-2.

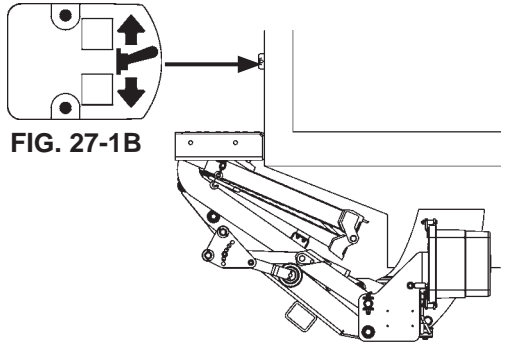


FOLDING PLATFORM
FIG. 26-2

CAUTION

Stow Liftgate under hydraulic pressure.

13. Raise the Liftgate by pushing the toggle switch to the **UP** position (**FIG. 27-1B**). Wait a second before releasing toggle switch after Liftgate is raised all the way (**FIG. 27-1A**).



CORRECTLY STOWED LIFTGATE
FIG. 27-1A

14. Liftgate is ready for transport.

