

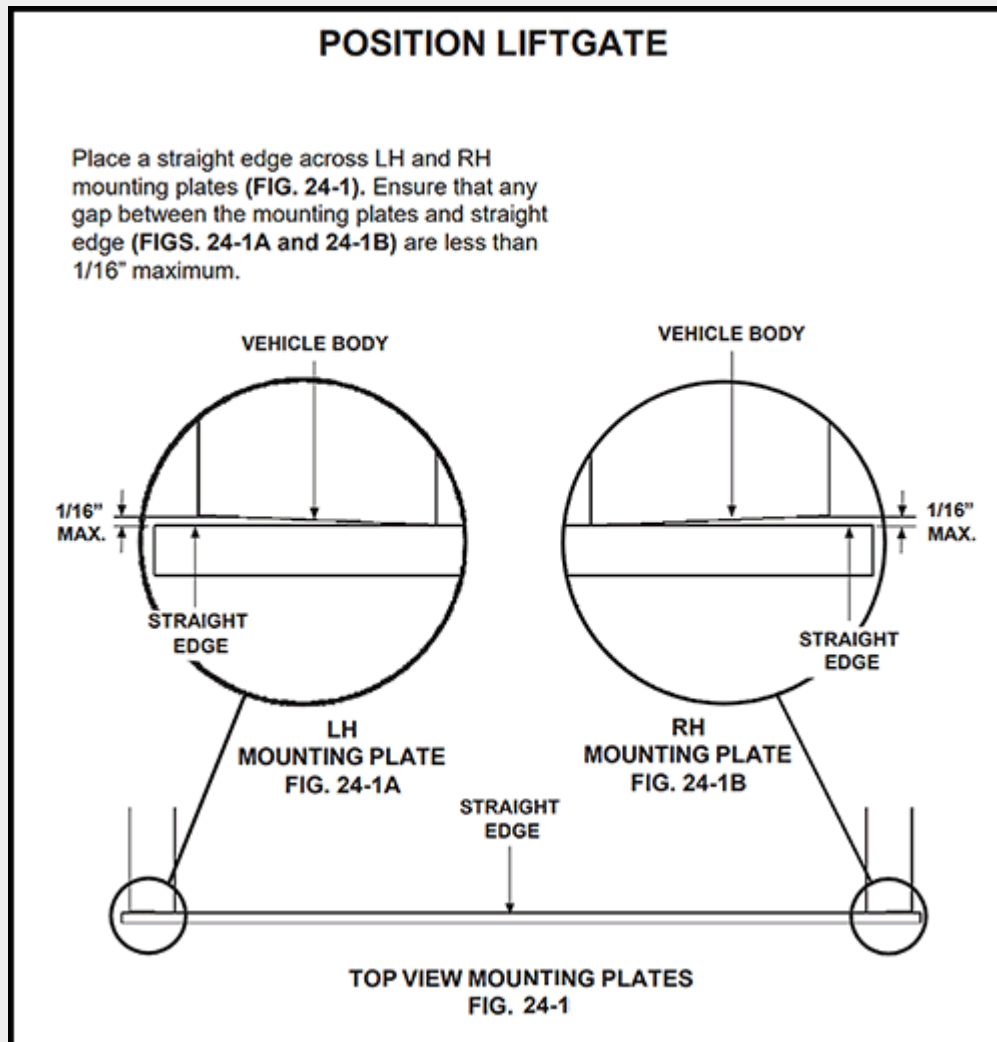


## Mounting Method Overview for MAXON's BMR Liftgates

Maxon Distributors:

Uneven mounting surfaces on a vehicle body can adversely affect the smooth operation of a liftgate. Before installing a liftgate, check the flatness of the rear door frame mounting surfaces as shown in the appropriate mounting method in FIGS. 24-1, 28-1, or 32-1 of the BMR Installation Manual. Failure to comply can cause operational problems and damage moving parts. Refer to the BMR Installation manual to reference the full details .

[Click Here to Download the BMR Installation Manual](#)



For more information on our liftgate products, please visit our website at [www.maxonlift.com](http://www.maxonlift.com).



MAXON Lift Corp.