

To search for your Maxon parts in this document, press Ctrl + F for Windows or Command + F for macOS to open the Search Box.



This parts manual covers the bmr's manufactured October 2014 to September 2016. Please contact Maxon CS at 800.227.4116 or parts@maxonlift.com if you have any questions.

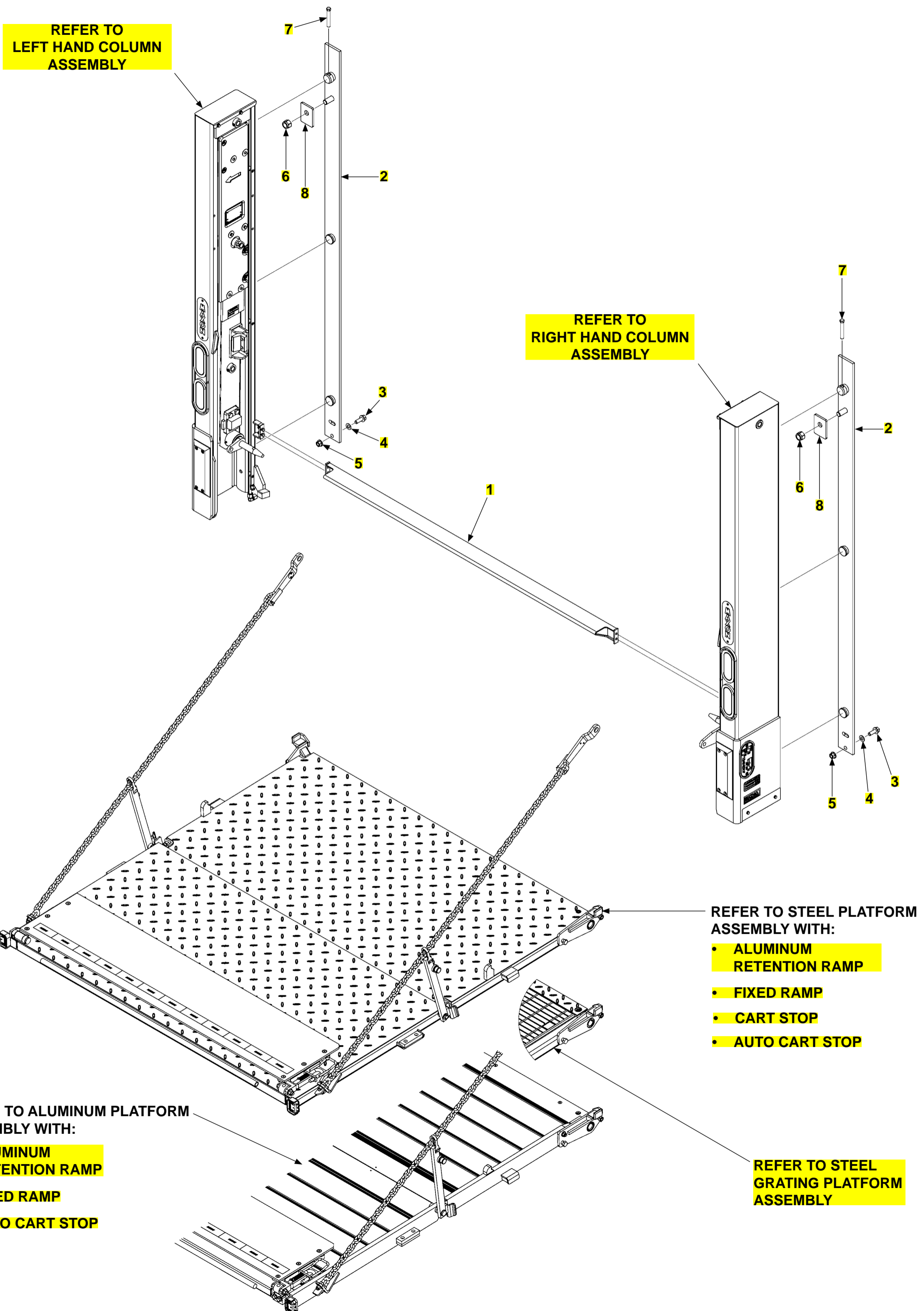
COLUMNLIFT™ BMR

PARTS BREAKDOWN



FINAL ASSEMBLY

LAST UPDATED
OCT 2014 to SEPT 2016



FINAL ASSEMBLY

**LAST UPDATED
OCT 2014 to SEPT 2016**

ITEM	QTY.	PART NO.	DESCRIPTION
1	1	288790-01G	EXTENSION PLATE WELDMENT, 96", GALVANIZED
		288790-101	EXTENSION PLATE WELDMENT, 96", STAINLESS STEEL
		288790-21-500	EXTENSION PLATE WELDMENT, 96", STEEL, PRIMER
		288790-11G	EXTENSION PLATE WELDMENT, 102", GALVANIZED
		288790-111	EXTENSION PLATE WELDMENT, 102", STAINLESS STEEL
		288790-31-500	EXTENSION PLATE WELDMENT, 102", STEEL, PRIMER
2	2	286290-11	UNIT MOUNTING PLATE WELDMENT, STAINLESS STEEL
		286290-21	UNIT MOUNTING PLATE WELDMENT, STEEL, PRIMER
3	2	901615-03	HEX FLANGE BOLT, 5/8"-11 X 1-3/4" LG.
4	2	902013-15	FLAT WASHER, 5/8"
5	2	901023-04	FLANGE LOCK NUT, 5/8"-11
6	2	903159-01	NYLON STOP NUT, 1"-8
7	2	905381-01	HEX CAP SCREW, FULL THREAD, 5/8"-11 X 4" LG.
8	2	286295-01	GUSSET

RIGHT HAND COLUMN ASSEMBLY

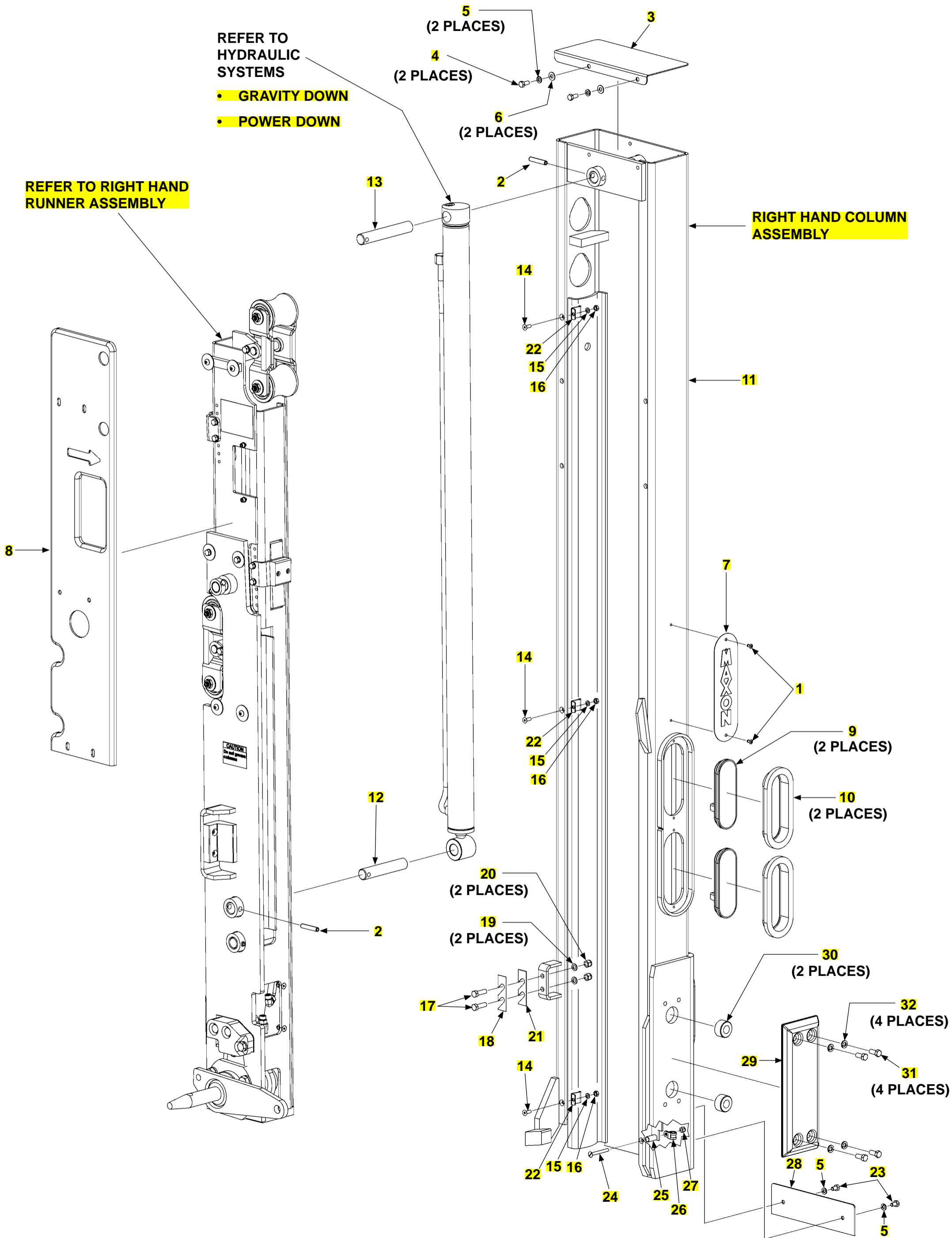
LAST UPDATED
OCT 2014 to SEPT 2016

NOTE: Most hydraulic components not shown for clarity. Refer to **HYDRAULIC SYSTEMS** for hydraulic system parts.

REFER TO
HYDRAULIC
SYSTEMS

- GRAVITY DOWN
- POWER DOWN

REFER TO RIGHT HAND
RUNNER ASSEMBLY



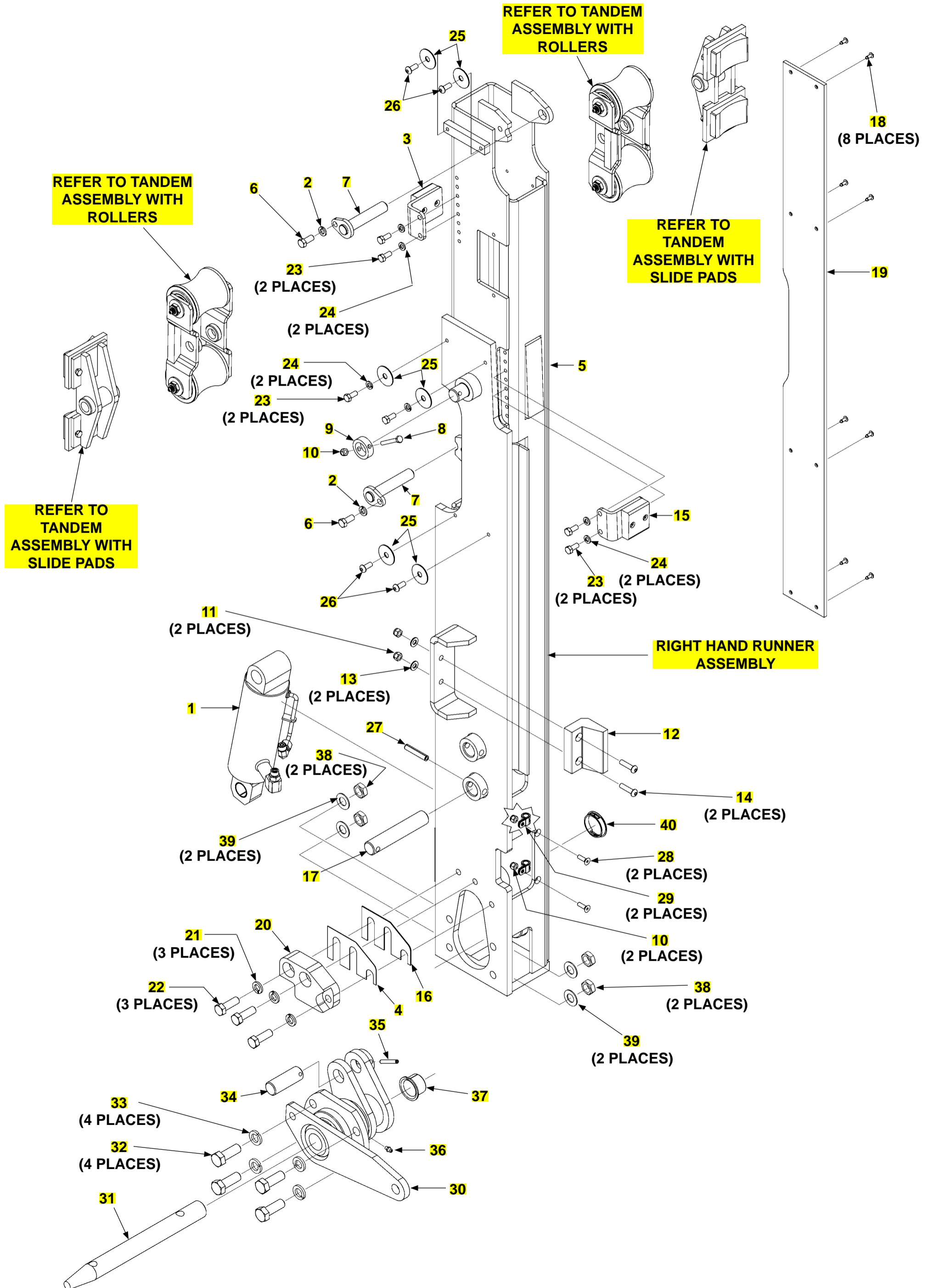
RIGHT HAND COLUMN ASSEMBLY

**LAST UPDATED
OCT 2014 to SEPT 2016**

ITEM	QTY.	PART NO.	DESCRIPTION
REF	1	286320-01	COLUMN ASSEMBLY, RH, BMR 35/44, GRAVITY DOWN
		286320-11	COLUMN ASSEMBLY, RH, BMR 35/44, POWER DOWN
		286320-01G	COLUMN ASSEMBLY, RH, BMR 35/44, GRAVITY DOWN (GALVANIZED)
		286320-11G	COLUMN ASSEMBLY, RH, BMR 35/44, POWER DOWN (GALVANIZED)
		286320-02	COLUMN ASSEMBLY, RH, BMR 55/66, GRAVITY DOWN
		286320-12	COLUMN ASSEMBLY, RH, BMR 55/66, POWER DOWN
		286320-02G	COLUMN ASSEMBLY, RH, BMR 55/66, GRAVITY DOWN (GALVANIZED)
		286320-12G	COLUMN ASSEMBLY, RH, BMR 55/66, POWER DOWN (GALVANIZED)
		286320-01-100	COLUMN ASSEMBLY, RH, 35/44 WITH SLIDE ASSEMBLY, GRAVITY DOWN
		286320-11-100	COLUMN ASSEMBLY, RH, 35/44 WITH SLIDE ASSEMBLY, POWER DOWN
		286320-01G-100	COLUMN ASSEMBLY, RH, 35/44 WITH SLIDE ASSEMBLY, GRAVITY DOWN (GALVANIZED)
		286320-11G-100	COLUMN ASSEMBLY, RH, 35/44 WITH SLIDE ASSEMBLY, POWER DOWN (GALVANIZED)
		286320-02-100	COLUMN ASSEMBLY, RH, 55/66 WITH SLIDE ASSEMBLY, GRAVITY DOWN
		286320-12-100	COLUMN ASSEMBLY, RH, 55/66 WITH SLIDE ASSEMBLY, POWER DOWN
		286320-02G-100	COLUMN ASSEMBLY, RH, 55/66 WITH SLIDE ASSEMBLY, GRAVITY DOWN (GALVANIZED)
		286320-12G-100	COLUMN ASSEMBLY, RH, 55/66 WITH SLIDE ASSEMBLY, POWER DOWN (GALVANIZED)
1	2	207644	POP RIVET, 3/16" X 7/16" LG.
2	2	904717-06	ROLL PIN, 3/8" X 2" LG.
3	1	295744-02	COVER, COLUMN TOP
		295744-12	COVER, COLUMN TOP (GALVANIZED)
4	2	901602-04	BOLT, HEX, 5/16"-18 X 3/4" LG.
5	4	902019-4	LOCK WASHER, 9/16" O.D. X 5/16" I.D.
6	2	903409-02	FENDER WASHER, 3/4" O.D. X 5/16" I.D.
7	1	260478	MAXON VERTICAL PLATE, 3" X 10-1/8" LG.
8	1	286327-01	COLUMN COVER, RH
9	2	285371-02	LED LIGHT, OVAL, RED
10	2	261687-01	GROMMET
11	1	286241-01	COLUMN WELDMENT, RH
		286241-01G	COLUMN WELDMENT, RH (GALVANIZED)
12	1	268068-05	PIN, STAINLESS STEEL, 1" O.D. X 5-3/8" LG.
13	1	268068-06	PIN, STAINLESS STEEL, 1" O.D. X 5-7/8" LG.
14	3	900711-03	CAP SCREW, FLAT HEAD, 1/4"-20 x 3/4" LG.
15	3	902019-3	LOCK WASHER, 1/2" O.D. X 1/4" I.D.
16	3	903107-03	HEX NUT, 1/4"-20
17	2	900014-5	HEX CAP SCREW, 3/8"-16 X 1-1/4" LG.
18	1	288799-01	SPACER, 1/16" THICK
19	2	903447-02	FLAT WASHER, 3/8" O.D. X 1/16" THICK
20	2	903134-01	NYLON NUT, INSRT STOP 3/8"-16
21	1	288799-02	SPACER, 1/32" THICK
22	3	286276-01	CLAMP
23	2	900009-4	CAP SCREW, 5/16"-18 X 1/2" LG.
24	1	260299	SLOTTED SCREW, FLAT, 1/4"-20 X 2-1/2" LG.
25	1	253621	BUSHING, 1/2" O.D. X 1/16" WIDE X 1" LG.
26	1	224006	RUBBER LOOM CLAMP, #6
27	1	901000	NYLON NUT, 1/4"-20
28	1	286265-01	COVER
29	1	286294-01	LOADING DOCK BUMPER, BLACK
30	2	289323-01	ROAD TUBE, 1-1/2" O.D. X 3/8" WIDE X 13/16" LG.
31	4	900764-05	SCREW, HEX CAP .38-16X.88, SS
32	4	902019-5	LOCK WASHER, 11/16" O.D. X 3/8"

RIGHT HAND RUNNER ASSEMBLY

LAST UPDATED
OCT 2014 to SEPT 2016



RIGHT HAND RUNNER ASSEMBLY

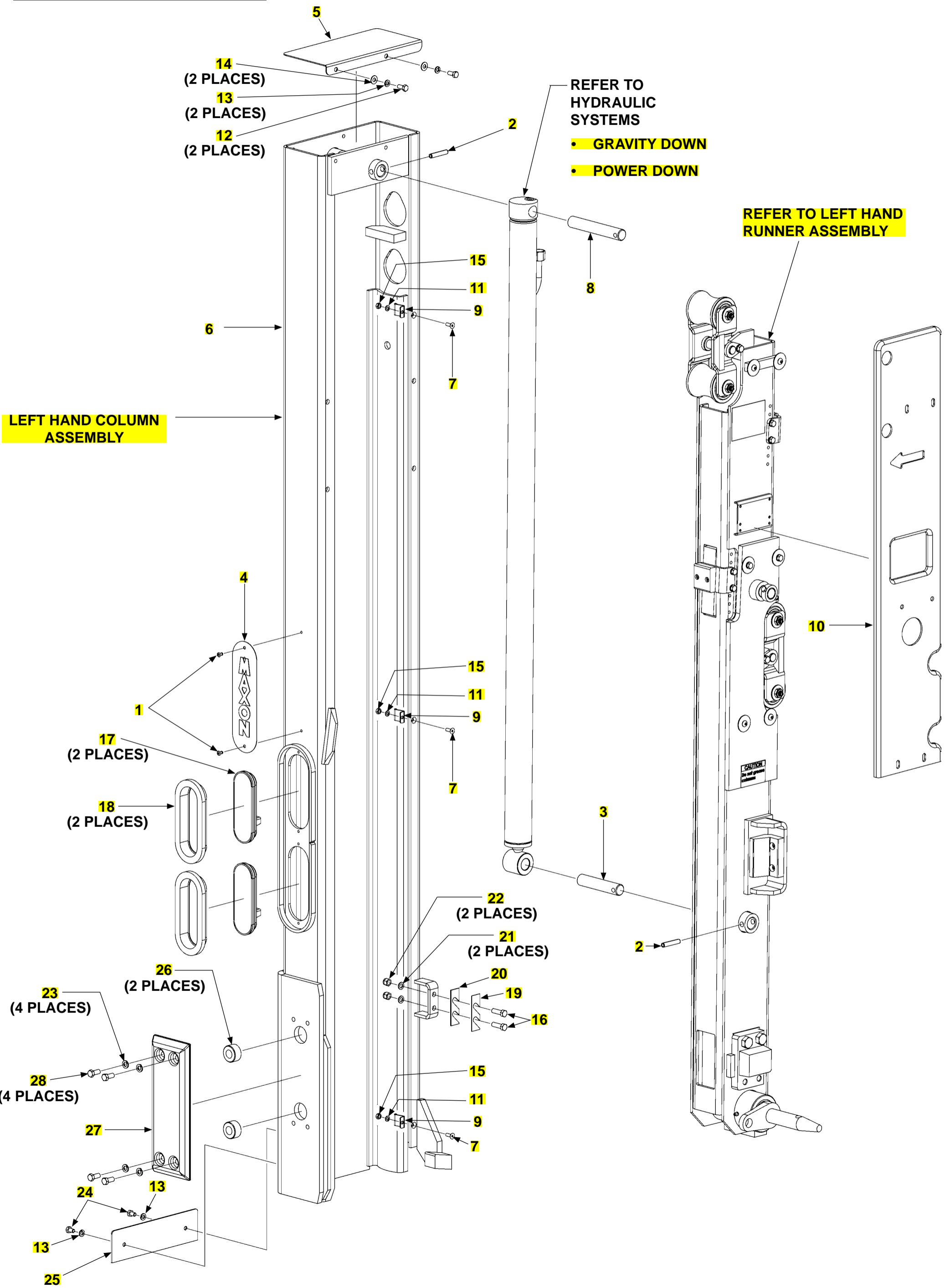
**LAST UPDATED
OCT 2014 to SEPT 2016**

ITEM	QTY.	PART NO.	DESCRIPTION
REF	1	286325-01	RH RUNNER ASSEMBLY WITH ROLLERS
		286325-01G	RH RUNNER ASSEMBLY WITH ROLLERS (GALVANIZED)
		286325-01-100	RH RUNNER ASSEMBLY WITH SLIDE PAD
		286325-01G-100	RH RUNNER ASSEMBLY WITH SLIDE PAD (GALVANIZED)
1	1	286281-01	CYLINDER ASSEMBLY, 2-3/4" X 5-1/4" X 1-1/8"
2	2	902011-4	LOCK WASHER, 3/8"
3	1	287433-02	UPPER PAD ASSEMBLY, RH RUNNER
4	1	286759-02	SPACER, 1/32" THICK
5	1	286324-01	RH RUNNER
		286324-01G	RH RUNNER (GALVANIZED)
6	2	900764-05	HEX HEAD CAP SCREW, 3/8"-16 X 7/8" LG.
7	2	280067	ARM WELDMENT
8	1	900004-8	CAP SCREW, 1/4"-20 X 2" LG.
9	1	269227-01	PIN COLLAR
10	3	903137-01	NYLON LOCK NUT, 1/4"-20
11	2	903106-10	NYLON LOCK NUT, 5/16"-18
12	1	288940-01	BUMPER, PLATFORM STOP
13	2	902013-10	FLAT WASHER, 5/16"
14	2	900001-4	BUTTON HEAD SCREW, 5/16"-18 X 1-1/4" LG.
15	1	287434-02	LOWER PAD SUPPORT ASSEMBLY
16	1	286759-01	SPACER, 1/16" THICK
17	1	268068-05	PIN, 1" O.D. X 5-3/8" LG.
18	8	904005-2	POP RIVET, 3/16" X 9/16" LG.
19	1	253543	PAD
20	1	286226-02	HOLDER CASTING, RUNNER RH, BLACK
21	3	902011-6	LOCK WASHER, 1/2" X 1/8"
22	3	900035-3	CAP SCREW, HEX HEAD 1/2"-13 X 1-1/2" LG.
23	6	901602-04	HEX BOLT, 5/16"-18 X 3/4" LG.
24	6	902019-4	LOCK WASHER, 9/16" X 5/16"
25	6	902008	FENDER WASHER, 1-1/2" X 13/32" X 1/16"
26	4	900763-04	BUTTON SCREW, 5/16"-18 X 3/4" LG.
27	1	904717-06	ROLL PIN, 3/8" X 2" LG.
28	2	900711-04	SOCKET SCREW, FLUSH 1/4"-20 X 7/8" LG.
29	2	224006	CLAMP, RUBBER LOOM, #6
30	1	286315-01	PLATFORM FOLDING ARMATURE
31	1	280103	PIN, 13" LG.
32	4	900055-03	HEX HEAD SCREW, 5/8"-11 X 1-3/4" LG.
33	4	902011-8	LOCK WASHER, 5/8" X 3/16" THICK
34	1	286269-01	PIN, 1" O.D. X 2-3/4" LG.
35	1	905033-4	ROLL PIN, 1/4" O.D. X 1-3/4" LG.
36	1	224342	GREASE FITTING
37	1	286759-01	BEARING, FLANGED, 1-1/4" DIA. X 1" LG.
38	4	030331	JAM NUT, 5/8"-11
39	4	902000-18	FLAT WASHER, 5/8" X 1/16" THICK
40	1	908081-09	PLUG, NYLON

LEFT HAND COLUMN ASSEMBLY

LAST UPDATED
OCT 2014 to SEPT 2016

NOTE: Most hydraulic components not shown for clarity. Refer to **HYDRAULIC SYSTEMS** for hydraulic system parts.



LEFT HAND COLUMN ASSEMBLY

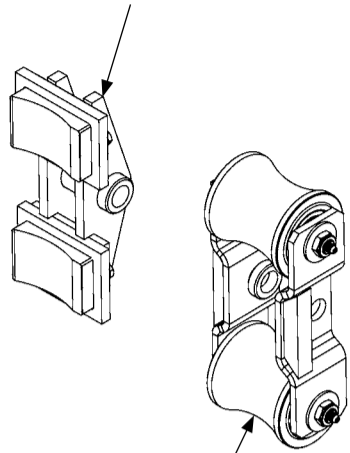
**LAST UPDATED
OCT 2014 to SEPT 2016**

ITEM	QTY.	PART NO.	DESCRIPTION
REF	1	286215-01	COLUMN ASSEMBLY, LH, 35/44
		286215-01G	COLUMN ASSEMBLY, LH, 35/44 (GALVANIZED)
		286215-02	COLUMN ASSEMBLY, LH, 55/66
		286215-02G	COLUMN ASSEMBLY, LH, 55/66 (GALVANIZED)
		286215-01-100	COLUMN ASSEMBLY, LH, 35/44, WITH SLIDE ASSEMBLY
		286215-01G-100	COLUMN ASSEMBLY, LH, 35/44, WITH SLIDE ASSEMBLY (GALVANIZED)
		286215-02-100	COLUMN ASSEMBLY, LH, 55/66, WITH SLIDE ASSEMBLY
		286215-02G-100	COLUMN ASSEMBLY, LH, 55/66, WITH SLIDE ASSEMBLY (GALVANIZED)
1	2	207644	POP RIVET, 3/16" X 7/16" LG.
2	2	904717-06	ROLL PIN, 3/8" X 2" LG.
3	1	268068-07	PIN, STAINLESS STEEL, 1" O.D. X 4-5/16" LG.
4	1	260478	MAXON VERTICAL PLATE, 3" X 10-1/8" LG.
5	1	295744-01	COLUMN COVER, TOP
		295744-11	COLUMN COVER, TOP (GALVANIZED)
6	1	286221-01	COLUMN WELDMENT, LH
		286221-01G	COLUMN WELDMENT, LH (GALVANIZED)
7	3	900711-03	SOCKET SCREW, FLUSH, 1/4"-20 X 3/4" LG.
8	1	268068-06	PIN, STAINLESS STEEL, 1" O.D. X 5-7/8" LG.
9	3	286276-01	CLAMP
10	1	286326-01	COLUMN COVER, LH
11	3	902019-3	LOCK WASHER, 1/2" O.D. X 1/4" I.D.
12	2	901602-04	HEX BOLT, 5/16"-18 X 3/4" LG.
13	4	902019-4	LOCK WASHER, 9/16" O.D. X 5/16" I.D.
14	2	903409-02	FENDER WASHER, 3/4" O.D. X 5/16" I.D.
15	3	903107-03	HEX NUT, 1/4"-20
16	2	900014-5	HEX HEAD CAP SCREW, 3/8"-16 X 1-1/4" LG.
17	2	285135-01	LED LIGHT, OVAL, RED
18	2	285135-02	STAINLESS STEEL FLANGE
19	1	288799-02	SPACER, 1/32" THICK
20	1	288799-01	SPACER, 1/16" THICK
21	2	903447-02	FLAT WASHER, 3/8" O.D. X 1/16" THICK
22	2	903134-01	NYLON LOCK NUT, 3/8"-16
23	4	902019-5	LOCK WASHER, 11/16" O.D. X 3/8" I.D.
24	2	900009-4	CAP SCREW, 5/16"-18 X 1/2" LG.
25	1	286265-01	COVER
26	2	289323-01	ROUND TUBE, 1-1/2" O.D. X 3/8" WIDE X 13/16" LG.
27	1	286294-01	LOADING DOCK BUMPER, BLACK
28	4	900764-05	SCREW, HEX CAP .38-16X.88, SS

LEFT HAND RUNNER ASSEMBLY

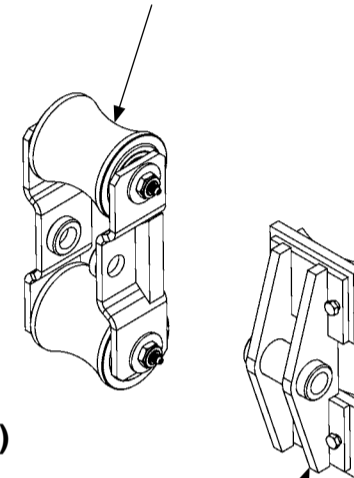
LAST UPDATED
OCT 2014 to SEPT 2016

REFER TO TANDEM
ASSEMBLY WITH
SLIDE PADS

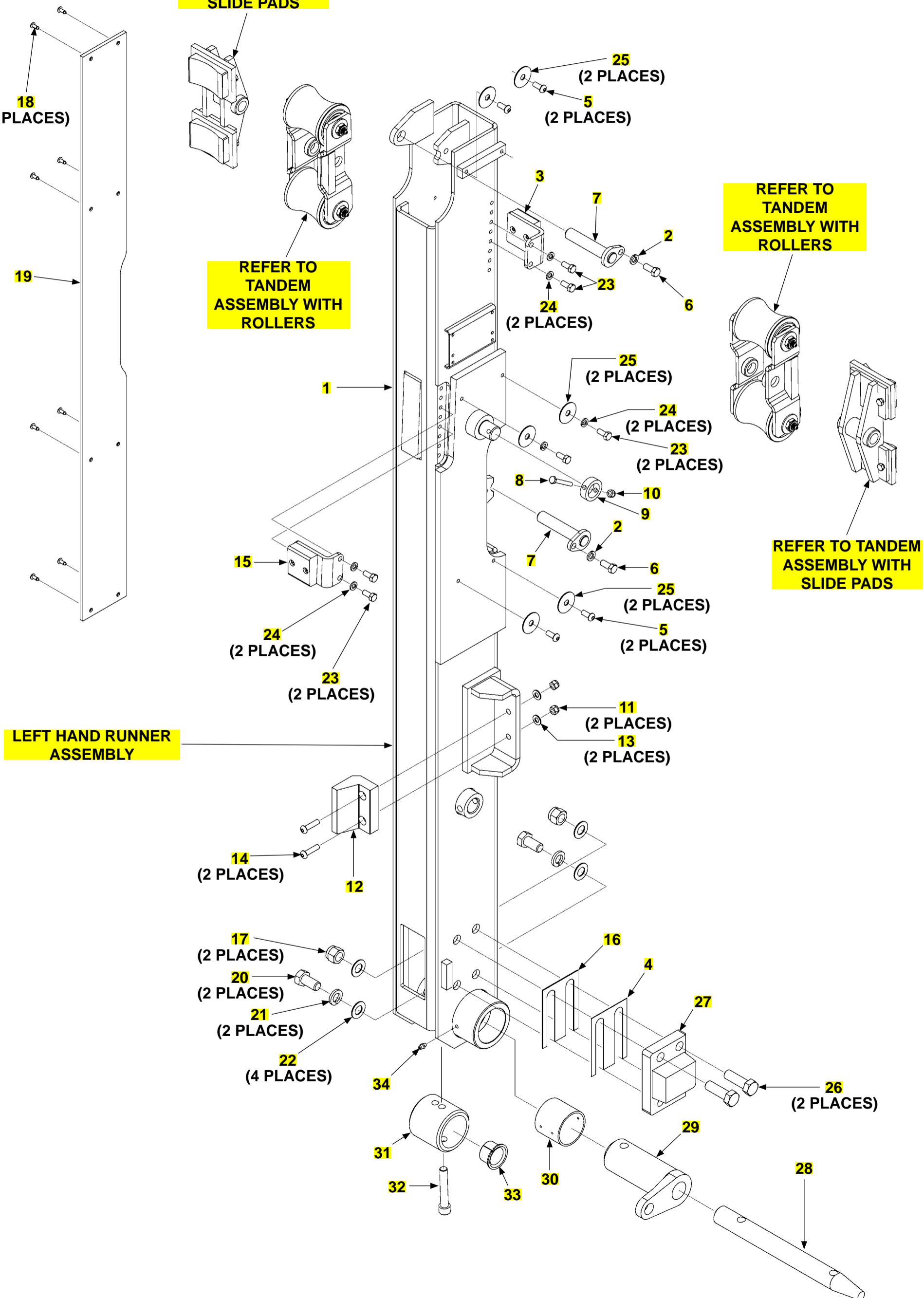


REFER TO TANDEM
ASSEMBLY WITH
ROLLERS

REFER TO TANDEM
ASSEMBLY WITH
ROLLERS



REFER TO TANDEM
ASSEMBLY WITH
SLIDE PADS



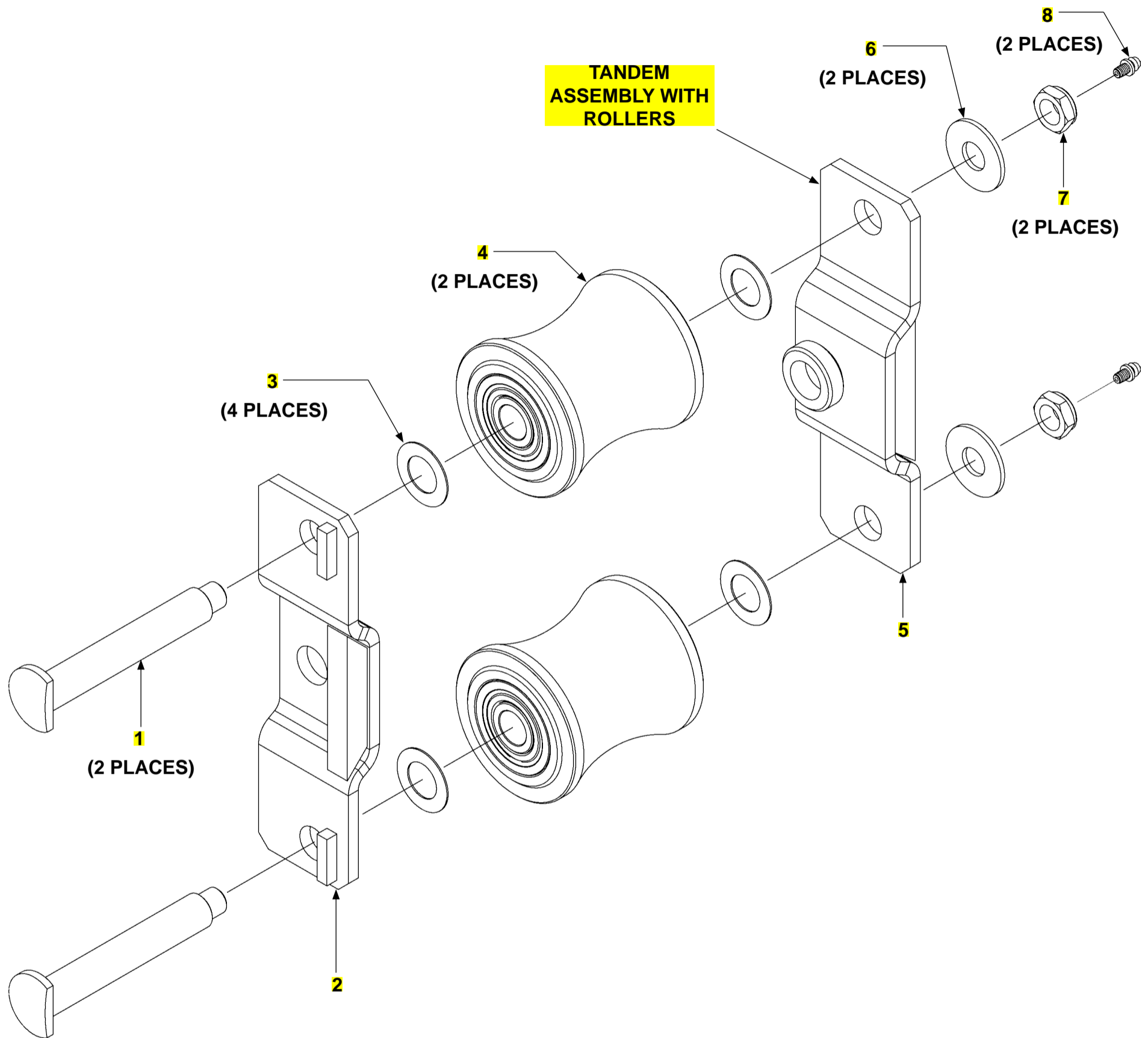
LEFT HAND RUNNER ASSEMBLY

**LAST UPDATED
OCT 2014 to SEPT 2016**

ITEM	QTY.	PART NO.	DESCRIPTION
REF	1	286235-01	LH RUNNER ASSEMBLY WITH ROLLERS
		286235-01G	LH RUNNER ASSEMBLY WITH ROLLERS (GALVANIZED)
		286235-01-100	LH RUNNER ASSEMBLY WITH SLIDE PADS
		286235-01G-100	LH RUNNER ASSEMBLY WITH SLIDE PADS (GALVANIZED)
1	1	286261-01	LH RUNNER
		286261-01G	LH RUNNER (GALVANIZED)
2	2	902011-4	LOCK WASHER, 3/8"
3	1	287433-01	UPPER PAD ASSEMBLY, LH RUNNER
4	1	288798-02	SPACER, 1/32" THICK
5	4	900763-04	BUTTON SCREW, 5/16"-18 X 3/4" LG.
6	2	900764-05	HEX HEAD CAP SCREW, 3/8"-16 X 7/8" LG.
7	2	280067	ARM WELDMENT
8	1	900004-8	CAP SCREW, 1/4"-20 X 2" LG.
9	1	269227-01	PIN COLLAR
10	1	903137-01	NYLON LOCK NUT, 1/4"-20
11	2	903106-10	NYLON LOCK NUT, 5/16"-18
12	1	288940-01	BUMPER, PLATFORM STOP
13	2	902013-10	FLAT WASHER, 5/16"
14	2	900001-4	BUTTON HEAD SCREW, 5/16"-18 X 1-1/4" LG.
15	1	287434-01	LOWER PAD ASSEMBLY, LH RUNNER
16	1	288798-01	SPACER, 1/16" THICK
17	2	040156	LOCK NUT, 5/8"-11
18	8	904005-2	POP RIVET, 3/16" X 9/16" LG.
19	1	253543	PAD
20	2	900055-1	HEX HEAD SCREW, 5/8"-11 X 1-1/4" LG.
21	2	902019-9	LOCK WASHER, 1-1/16" O.D. X 5/8 I.D.
22	4	902000-18	FLAT WASHER, 5/8" X 1/16" THICK
23	6	901602-04	HEX BOLT, 5/16"-18 X 3/4" LG. X 2" LG.
24	6	902019-4	LOCK WASHER, 9/16" X 5/16"
25	6	902008	FENDER WASHER, 1-1/2" X 13/32" X 1/16"
26	2	900055-04	HEX HEAD SCREW, 5/8"-11
27	1	288801-02	STOP BLOCK CASTING, BLACK
28	1	280103	PIN, 13" LG.
29	1	280623-01	LH COUPLING, MACHINED
30	1	908011-01	BEARING, 2-1/2" O.D. X 2-1/4" I.D. X 2-1/8" LG.
31	1	253696	PIN COLLAR, 2-5/16" I.D. X 2-3/4" LG.
32	1	908007-04	SOCKET HEAD SCREW, 1/2"-20 X 3" LG.
33	1	900037-11	FLANGE BEARING, 1-1/25" X 1" LG.
34	1	224342	GREASE FITTING, 1/4", SELF DRILLING

TANDEM ASSEMBLY WITH ROLLERS

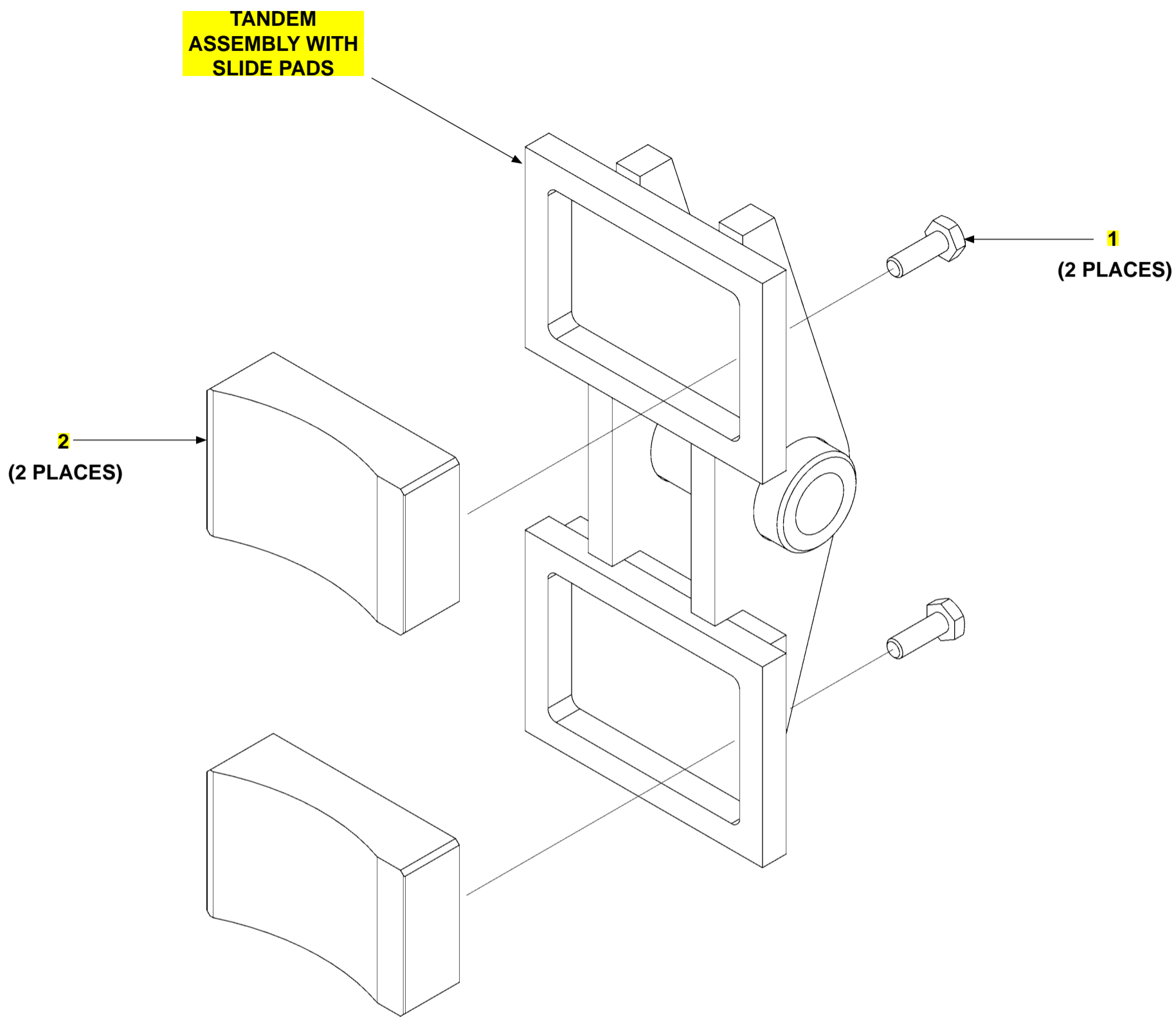
LAST UPDATED
OCT 2014 to SEPT 2016



ITEM	QTY.	PART NO.	DESCRIPTION
REF	2	286234-01	TANDEM ASSEMBLY, BMRB
1	2	268899-01	ROLLER AXLE
2	1	288956-01	OUTER BRACKET
3	4	261182	FLAT WASHER, .72" I.D. X 1-1/4" O.D. STAINLESS STEEL
4	2	268899-01	ROLLER
5	1	286308-01	INNER BRACKET
6	2	902014	FLAT WASHER, 5/8" I.D. X 1-3/8" O.D.
7	2	901016-1	LOCK NUT, THIN HEAD, 1/2"-20
8	2	268264-02	GREASE FITTING, DRIVE-IN, 3/16"

TANDEM ASSEMBLY WITH SLIDE PADS

LAST UPDATED
OCT 2014 to SEPT 2016



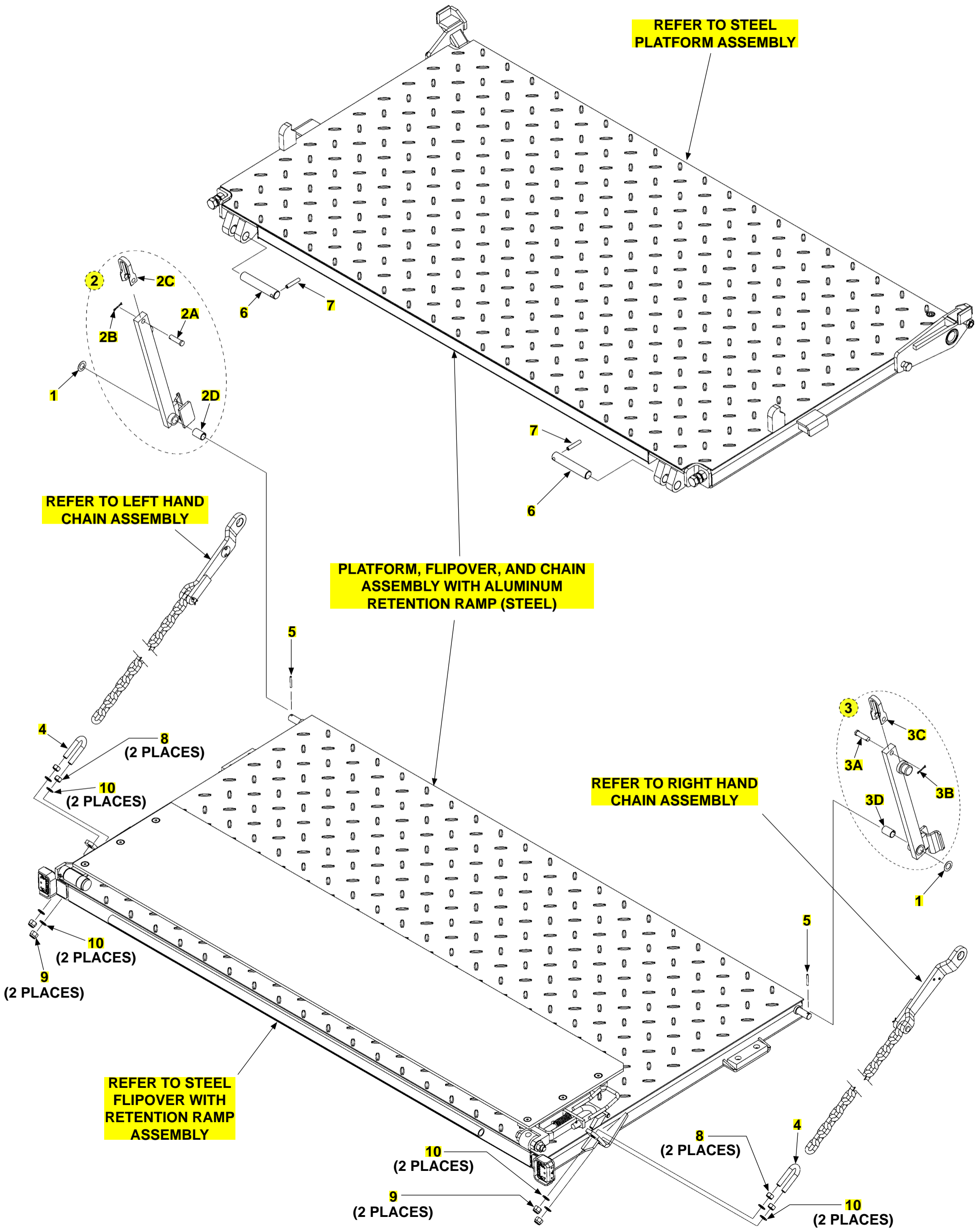
ITEM	QTY.	PART NO.	DESCRIPTION
REF	2	287655-01	TANDEM ASSEMBLY WITH SLIDE PADS
1	2	900004-2	CAP SCREW, 1/4" -20 X 3/4" LG, GRADE 8
2	2	287657-01	SLIDE PAD

PLATFORM, FLIPOVER, AND CHAIN ASSEMBLY WITH ALUMINUM RETENTION RAMP (STEEL)

LAST UPDATED
OCT 2014 to SEPT 2016

CAUTION

MAXON recommends replacing Left Hand & Right Hand platform support chains as a set. Possible harm to users or bystanders and/or equipment damage could result if chains are only replaced one at a time.



**PLATFORM, FLIPOVER, AND CHAIN ASSEMBLY WITH ALUMINUM RETENTION RAMP
(STEEL)**

**LAST UPDATED
OCT 2014 to SEPT 2016**

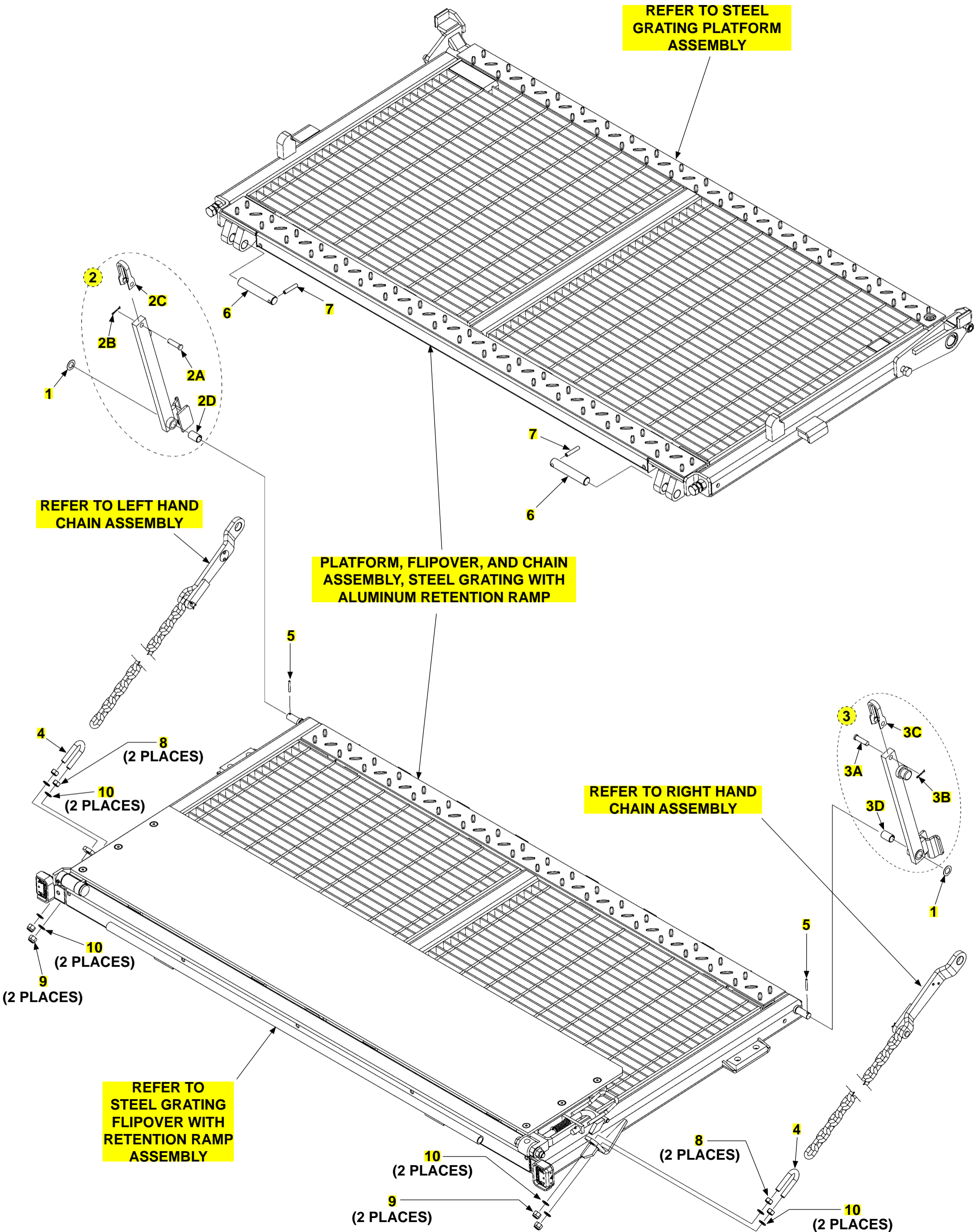
ITEM	QTY.	PART NO.	DESCRIPTION
REF	1	286820-601G	P/F ASSY BMRB66G,ST80X(30+30+16),GALV
		286820-602G	P/F ASSY BMRB66G,ST80X(36+36+16),GALV
		286820-603G	P/F ASSY BMRB66G,ST80X(42+42+16),GALV
		286820-604G	P/F ASSY BMRB66G,ST80X(36+24+16),GALV
		286820-605G	P/F ASSY BMRB66G,ST80X(42+30+16),GALV
		286820-611G	P/F ASSY BMRBW66G,ST85X(30+30+16),GALV
		286820-612G	P/F ASSY BMRBW66G,ST85X(36+36+16),GALV
		286820-613G	P/F ASSY BMRBW66G,ST85X(42+42+16),GALV
		286820-614G	P/F ASSY BMRBW66G,ST85X(36+24+16),GALV
		286820-615G	P/F ASSY BMRBW66G,ST85X(42+30+16),GALV
1	2	261685	FLAT WASHER, 3/4" I.D. STAINLESS STEEL
2	1	286880-01	OPENER ASSEMBLY LH, 30" + 30" *
		286880-03	OPENER ASSEMBLY LH, 36" + 36" *
		286880-05	OPENER ASSEMBLY LH, 42" + 42" *
		286880-07	OPENER ASSEMBLY LH, 36" + 24" *
		286880-09	OPENER ASSEMBLY LH, 42" + 30" *
2A	1	905136-02	CLEVIS PIN, 1/2" X 1-3/4" LG, GRADE 8
2B	1	030805	COTTER PIN, 1/8" X 1" LG.
2C	1	280644-01	ANCHOR SHACKLE
2D	1	260917-05	BEARING, SELF LUBE, 3/4" DIA. X 1-3/8" LG.
3	1	286880-02	OPENER ASSEMBLY RH, 30" + 30" *
		286880-04	OPENER ASSEMBLY RH, 36" + 36" *
		286880-06	OPENER ASSEMBLY RH, 42" + 42" *
		286880-08	OPENER ASSEMBLY RH, 36" + 24" *
		286880-10	OPENER ASSEMBLY RH, 42" + 30" *
3A	1	905136-02	CLEVIS PIN, 1/2" X 1-3/4" LG, GRADE 8
3B	1	030805	COTTER PIN, 1/8" X 1" LG.
3C	1	280644-01	ANCHOR SHACKLE
3D	1	260917-05	BEARING, SELF LUBE, 3/4" DIA. X 1-3/8" LG.
4	2	282854-01	U-BOLT
5	2	905015-3	ROLL PIN, 3/16" X 1-1/2" LG.
6	2	268068-03	PIN, STAINLESS STEEL 5-1/2" LG.
7	2	221416	ROLL PIN, 3/8" X 2" LG.
8	4	901011-9	NUT, 1/2"-13
9	4	901010	NYLON LOCK NUT, 1/2"-13
10	8	902000-14	FLAT WASHER, 1/2" X 7/16"

PLATFORM, FLIPOVER, AND CHAIN ASSEMBLY, STEEL GRATING WITH ALUMINUM RETENTION RAMP

LAST UPDATED
OCT 2014 to SEPT 2016

CAUTION

MAXON recommends replacing Left Hand & Right Hand platform support chains as a set. Possible harm to users or bystanders and/or equipment damage could result if chains are only replaced one at a time.



PLATFORM, FLIPOVER, AND CHAIN ASSEMBLY, STEEL GRATING WITH ALUMINUM RETENTION RAMP

**LAST UPDATED
OCT 2014 to SEPT 2016**

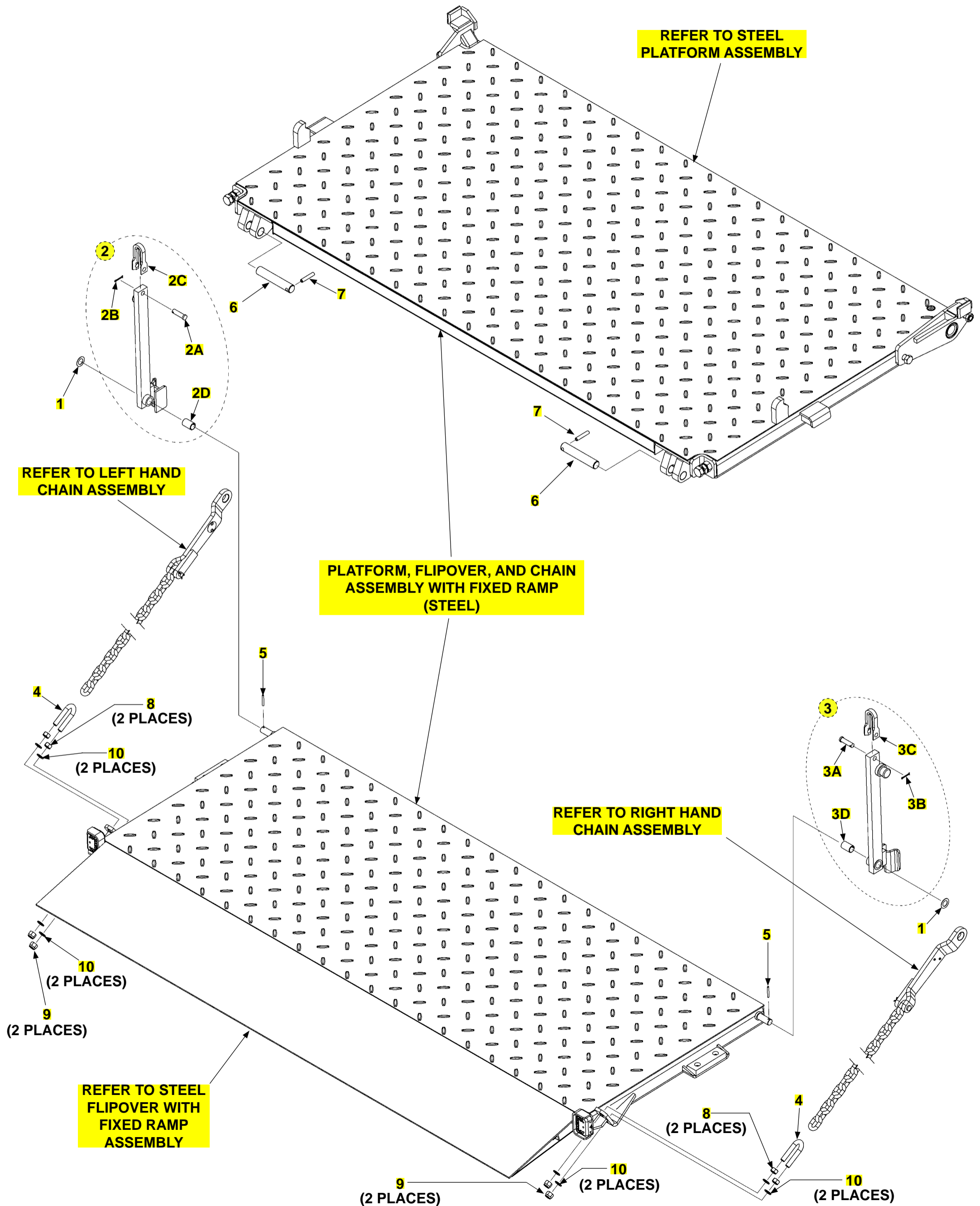
ITEM	QTY.	PART NO.	DESCRIPTION
REF	1	288960-601G	P/F ASSY BMRB66G,GR-ST80X30+30+16ARR
		288960-602G	P/F ASSY BMRB66G,GR-ST80X36+36+16ARR
		288960-603G	P/F ASSY BMRB66G,GR-ST80X42+42+16ARR
		288960-604G	P/F ASSY BMRB66G,GR-ST80X36+24+16ARR
		288960-605G	P/F ASSY BMRB66G,GR-ST80X42+30+16ARR
		288960-611G	P/F ASSY BMRBW66G,GR-ST85X30+30+16ARR
		288960-612G	P/F ASSY BMRBW66G,GR-ST85X36+36+16ARR
		288960-613G	P/F ASSY BMRBW66G,GR-ST85X42+42+16ARR
		288960-614G	P/F ASSY BMRBW66G,GR-ST85X36+24+16ARR
		288960-615G	P/F ASSY BMRBW66G,GR-ST85X42+30+16ARR
1	2	261685	FLAT WASHER, 3/4" I.D. STAINLESS STEEL
2	1	286880-01	OPENER ASSEMBLY LH, 30" + 30" *
		286880-03	OPENER ASSEMBLY LH, 36" + 36" *
		286880-05	OPENER ASSEMBLY LH, 42" + 42" *
		286880-07	OPENER ASSEMBLY LH, 36" + 24" *
		286880-09	OPENER ASSEMBLY LH, 42" + 30" *
2A	1	905136-02	CLEVIS PIN, 1/2" X 1-3/4" LG, GRADE 8
2B	1	030805	COTTER PIN, 1/8" X 1" LG.
2C	1	280644-01	ANCHOR SHACKLE
2D	1	260917-05	BEARING, SELF LUBE, 3/4" DIA. X 1-3/8" LG.
3	1	286880-02	OPENER ASSEMBLY RH, 30" + 30" *
		286880-04	OPENER ASSEMBLY RH, 36" + 36" *
		286880-06	OPENER ASSEMBLY RH, 42" + 42" *
		286880-08	OPENER ASSEMBLY RH, 36" + 24" *
		286880-10	OPENER ASSEMBLY RH, 42" + 30" *
3A	1	905136-02	CLEVIS PIN, 1/2" X 1-3/4" LG, GRADE 8
3B	1	030805	COTTER PIN, 1/8" X 1" LG.
3C	1	280644-01	ANCHOR SHACKLE
3D	1	260917-05	BEARING, SELF LUBE, 3/4" DIA. X 1-3/8" LG.
4	2	282854-01	U-BOLT
5	2	905015-3	ROLL PIN, 3/16" X 1-1/2" LG.
6	2	268068-03	PIN, STAINLESS STEEL 5-1/2" LG.
7	2	221416	ROLL PIN, 3/8" X 2" LG.
8	4	901011-9	NUT, 1/2"-13
9	4	901010	NYLON LOCK NUT, 1/2"-13
10	8	902000-14	FLAT WASHER, 1/2" X 7/16"

PLATFORM, FLIPOVER, AND CHAIN ASSEMBLY WITH FIXED RAMP (STEEL)

LAST UPDATED
OCT 2014 to SEPT 2016

CAUTION

MAXON recommends replacing Left Hand & Right Hand platform support chains as a set. Possible harm to users or bystanders and/or equipment damage could result if chains are only replaced one at a time.



**PLATFORM, FLIPOVER, AND CHAIN ASSEMBLY WITH FIXED RAMP
(STEEL)**

**LAST UPDATED
OCT 2014 to SEPT 2016**

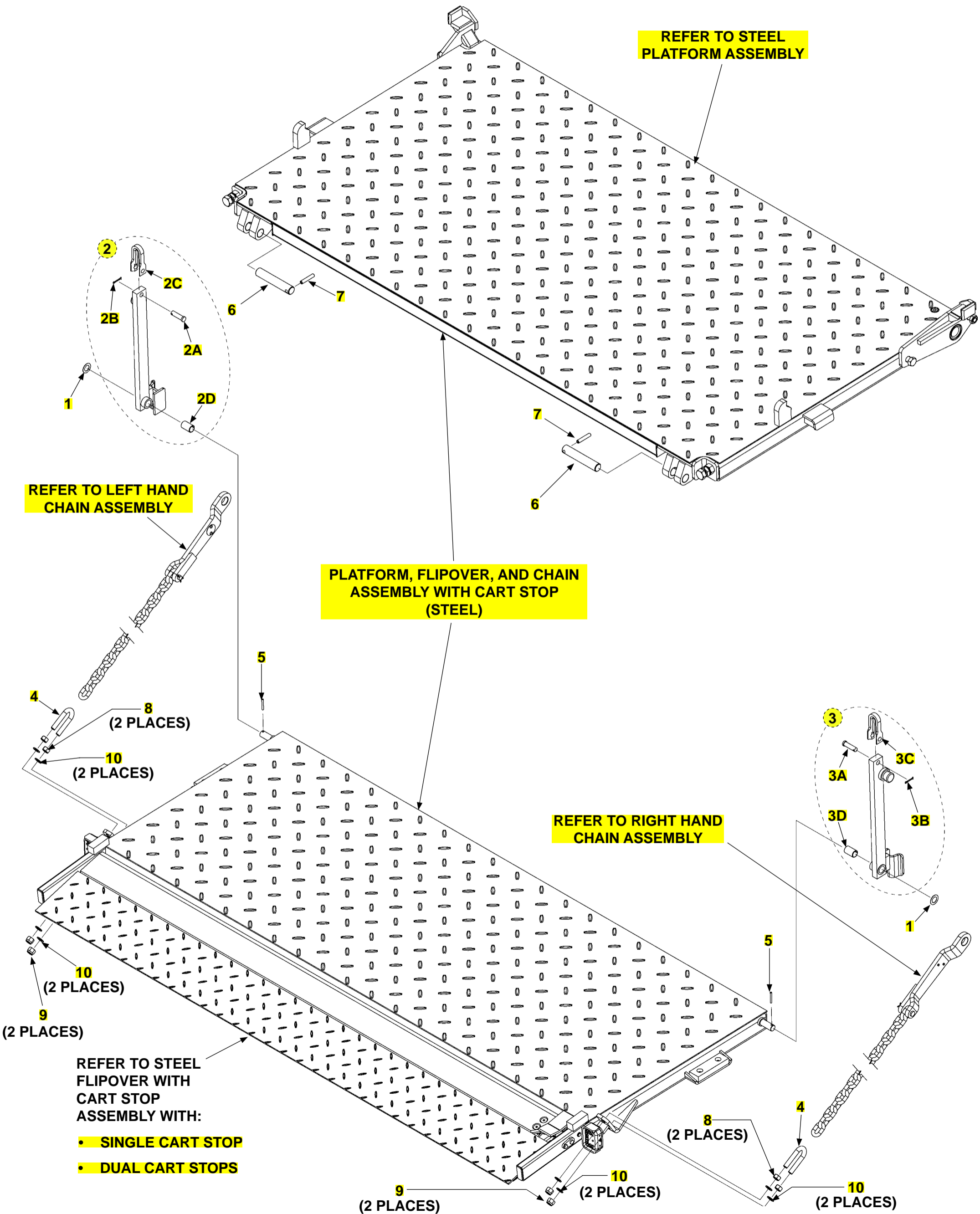
ITEM	QTY.	PART NO.	DESCRIPTION
REF	1	288259-606G	P/F ASSY BMRB66G,ST80X36+24+12FIX,GALV
		288259-607G	P/F ASSY BMRB66G,ST80X42+30+12FIX,GALV
		288259-616G	P/F ASSY BMRBW66G,ST85X36+24+12FIX,GALV
		288259-617G	P/F ASSY BMRBW66G,ST85X42+30+12FIX,GALV
1	2	261685	FLAT WASHER, 3/4" I.D. STAINLESS STEEL
2	1	286880-09	OPENER ASSEMBLY LH, 42" + 30" *
2A	1	905136-02	CLEVIS PIN, 1/2" X 1-3/4" LG, GRADE 8
2B	1	030805	COTTER PIN, 1/8" X 1" LG.
2C	1	280644-01	ANCHOR SHACKLE
2D	1	260917-05	BEARING, SELF LUBE, 3/4" DIA. X 1-3/8" LG.
3	1	286880-10	OPENER ASSEMBLY RH, 42" + 30" *
3A	1	905136-02	CLEVIS PIN, 1/2" X 1-3/4" LG, GRADE 8
3B	1	030805	COTTER PIN, 1/8" X 1" LG.
3C	1	280644-01	ANCHOR SHACKLE
3D	1	260917-05	BEARING, SELF LUBE, 3/4" DIA. X 1-3/8" LG.
4	2	282854-01	U-BOLT
5	2	905015-3	ROLL PIN, 3/16" X 1-1/2" LG.
6	2	268068-03	PIN, STAINLESS STEEL 5-1/2" LG.
7	2	221416	ROLL PIN, 3/8" X 2" LG.
8	4	901011-9	NUT, 1/2"
9	4	901010	NYLON LOCK NUT, 1/2"-13
10	8	902000-14	FLAT WASHER, 1/2"

**PLATFORM, FLIPOVER, AND CHAIN ASSEMBLY WITH CART STOP
(STEEL)**

**LAST UPDATED
OCT 2014 to SEPT 2016**

⚠ CAUTION

MAXON recommends replacing Left Hand & Right Hand platform support chains as a set. Possible harm to users or bystanders and/or equipment damage could result if chains are only replaced one at a time.



REFER TO STEEL PLATFORM ASSEMBLY

PLATFORM, FLIPOVER, AND CHAIN ASSEMBLY WITH CART STOP (STEEL)

REFER TO LEFT HAND CHAIN ASSEMBLY

REFER TO RIGHT HAND CHAIN ASSEMBLY

REFER TO STEEL FLIPOVER WITH CART STOP ASSEMBLY WITH:

- **SINGLE CART STOP**
- **DUAL CART STOPS**

8 (2 PLACES)

10 (2 PLACES)

10 (2 PLACES)

9 (2 PLACES)

9 (2 PLACES)

10 (2 PLACES)

10 (2 PLACES)

8 (2 PLACES)

**PLATFORM, FLIPOVER, AND CHAIN ASSEMBLY WITH CART STOP
(STEEL)**

**LAST UPDATED
OCT 2014 to SEPT 2016**

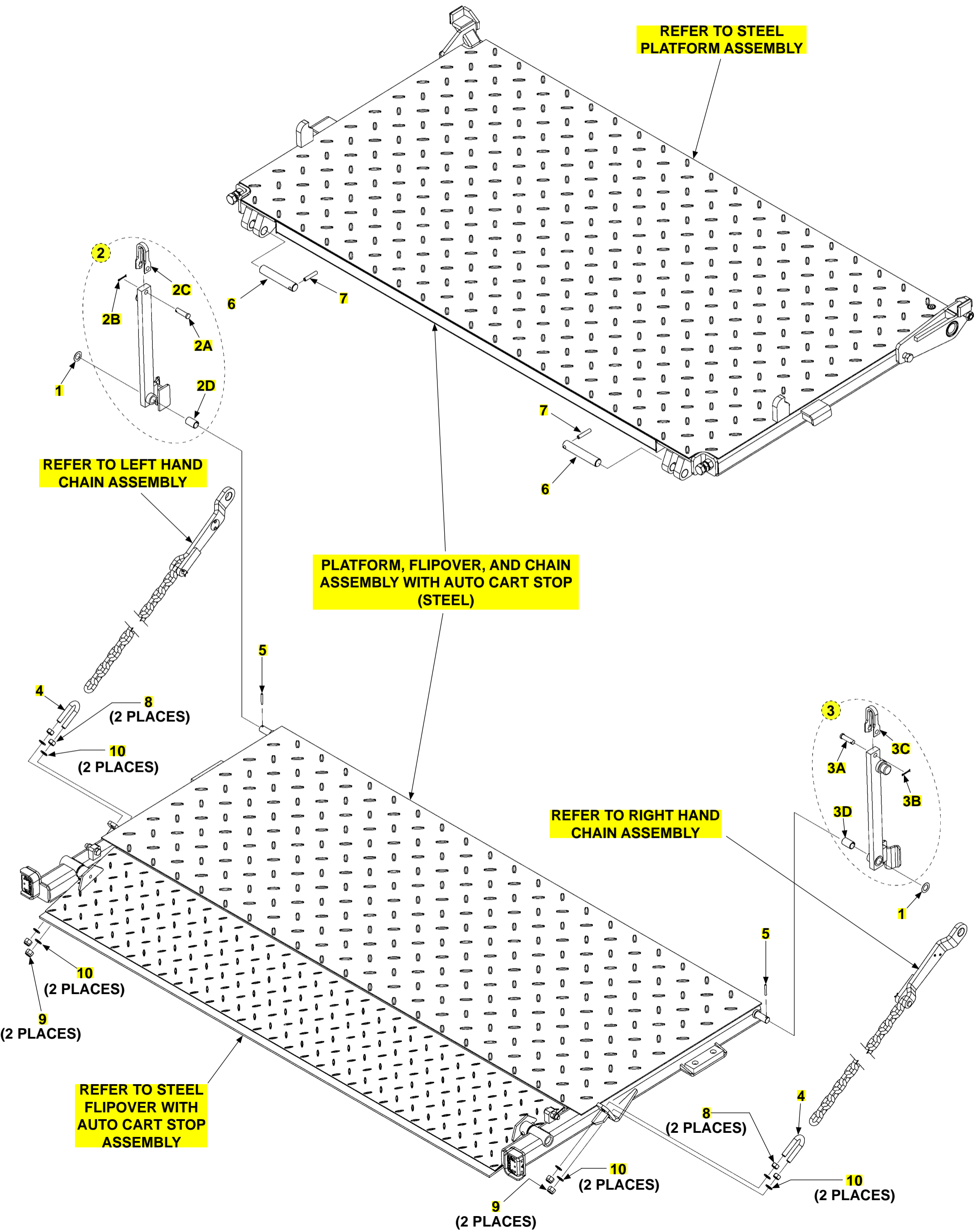
ITEM	QTY.	PART NO.	DESCRIPTION
REF	1	287952-608G	P/F BMRB66G,ST80X42+30+12SCR,GALV
		287952-6081G	P/F BMRB66G,ST80X36+24+12SCR,GALV
		287952-618G	P/F BMRBW66G,ST85X42+30+12SCR,GALV
		287952-6181G	P/F BMRBW66G,ST85X36+24+12SCR,GALV
		287952-609G	P/F BMRB66G,ST80X42+30+12DCR,GALV
		287952-6091G	P/F BMRB66G,ST80X36+24+12DCR,GALV
		287952-619G	P/F BMRBW66G,ST85X42+30+12DCR,GALV
		287952-6191G	P/F BMRBW66G,ST85X36+24+12DCR,GALV
1	2	261685	FLAT WASHER, 3/4" I.D. STAINLESS STEEL
2	1	286880-09	OPENER ASSEMBLY LH, 42" + 30" *
2A	1	905136-02	CLEVIS PIN, 1/2" X 1-3/4" LG, GRADE 8
2B	1	030805	COTTER PIN, 1/8" X 1" LG.
2C	1	280644-01	ANCHOR SHACKLE
2D	1	260917-05	BEARING, SELF LUBE, 3/4" DIA. X 1-3/8" LG.
3	1	286880-10	OPENER ASSEMBLY RH, 42" + 30" *
3A	1	905136-02	CLEVIS PIN, 1/2" X 1-3/4" LG, GRADE 8
3B	1	030805	COTTER PIN, 1/8" X 1" LG.
3C	1	280644-01	ANCHOR SHACKLE
3D	1	260917-05	BEARING, SELF LUBE, 3/4" DIA. X 1-3/8" LG.
4	2	282854-01	U-BOLT
5	2	905015-3	ROLL PIN, 3/16" X 1-1/2" LG.
6	2	268068-03	PIN, STAINLESS STEEL 5-1/2" LG.
7	2	221416	ROLL PIN, 3/8" X 2" LG.
8	4	901011-9	NUT, 1/2"
9	4	901010	NYLON LOCK NUT, 1/2"-13
10	8	902000-14	FLAT WASHER, 1/2"

PLATFORM, FLIPOVER, AND CHAIN ASSEMBLY WITH AUTO CART STOP (STEEL)

LAST UPDATED
OCT 2014 to SEPT 2016

CAUTION

MAXON recommends replacing Left Hand & Right Hand platform support chains as a set. Possible harm to users or bystanders and/or equipment damage could result if chains are only replaced one at a time.



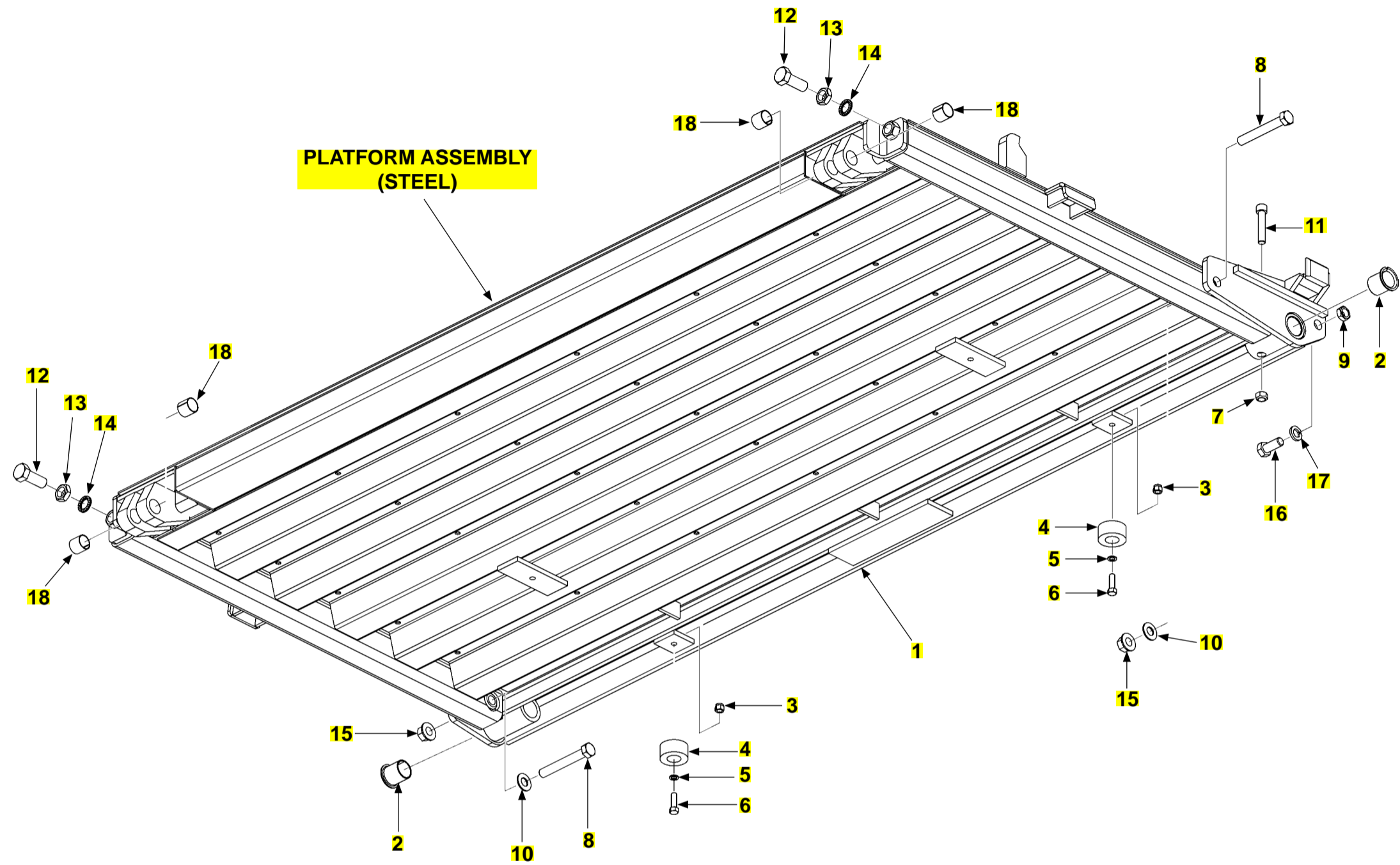
**PLATFORM, FLIPOVER, AND CHAIN ASSEMBLY WITH AUTO CART STOP
(STEEL)**

**LAST UPDATED
OCT 2014 to SEPT 2016**

ITEM	QTY.	PART NO.	DESCRIPTION
REF	1	288750-601G	P/F ASSY BMRB66G,ST80X(42+30+12ACS),GALV
		288750-611G	P/F ASSY BMRBW66G,ST85X(42+30+12ACS),GALV
1	2	261685	FLAT WASHER, 3/4" I.D. STAINLESS STEEL
2	1	286880-09	OPENER ASSEMBLY LH, 42" + 30" *
2A	1	905136-02	CLEVIS PIN, 1/2" X 1-3/4" LG, GRADE 8
2B	1	030805	COTTER PIN, 1/8" X 1" LG.
2C	1	280644-01	ANCHOR SHACKLE
2D	1	260917-05	BEARING, SELF LUBE, 3/4" DIA. X 1-3/8" LG.
3	1	286880-10	OPENER ASSEMBLY RH, 42" + 30" *
3A	1	905136-02	CLEVIS PIN, 1/2" X 1-3/4" LG, GRADE 8
3B	1	030805	COTTER PIN, 1/8" X 1" LG.
3C	1	280644-01	ANCHOR SHACKLE
3D	1	260917-05	BEARING, SELF LUBE, 3/4" DIA. X 1-3/8" LG.
4	2	282854-01	U-BOLT
5	2	905015-3	ROLL PIN, 3/16" X 1-1/2" LG.
6	2	268068-03	PIN, STAINLESS STEEL 5-1/2" LG.
7	2	221416	ROLL PIN, 3/8" X 2" LG.
8	4	901011-9	NUT, 1/2"
9	4	901010	NYLON LOCK NUT, 1/2"-13
10	8	902000-14	FLAT WASHER, 1/2"

PLATFORM ASSEMBLY (STEEL)

LAST UPDATED
OCT 2014 to SEPT 2016



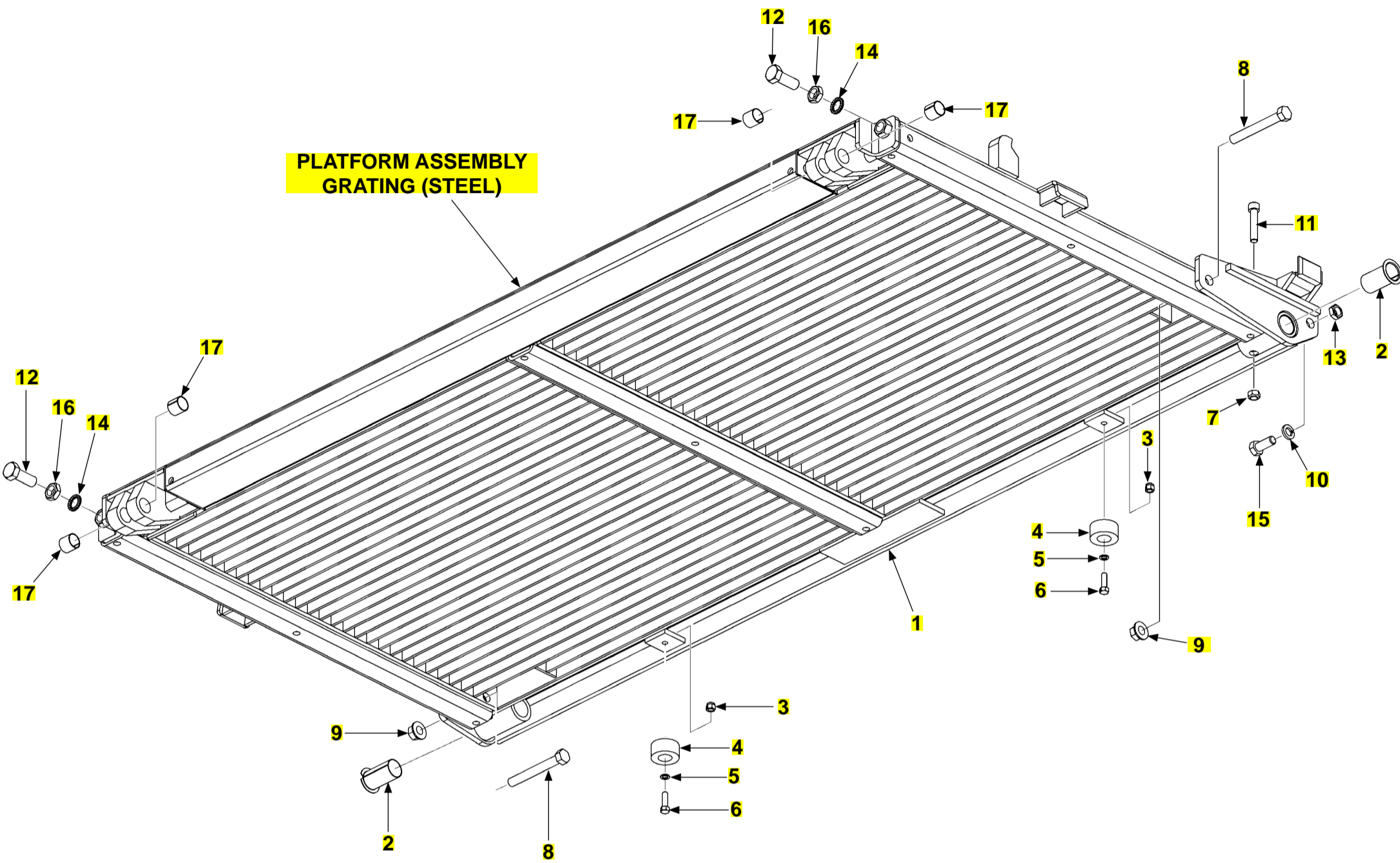
PLATFORM ASSEMBLY (STEEL)

**LAST UPDATED
OCT 2014 to SEPT 2016**

ITEM	QTY.	PART NO.	DESCRIPTION
REF	1	286830-601	PLATFORM, 96" WIDE VEHICLE, 30" DEEP (BMR 55-66)
		286830-602	PLATFORM, 96" WIDE VEHICLE, 36" DEEP (BMR 55-66)
		286830-603	PLATFORM, 96" WIDE VEHICLE, 42" DEEP (BMR 55-66)
		286830-611	PLATFORM, 102" WIDE VEHICLE, 30" DEEP (BMR 55-66)
		286830-612	PLATFORM, 102" WIDE VEHICLE, 36" DEEP (BMR 55-66)
		286830-613	PLATFORM, 102" WIDE VEHICLE, 42" DEEP (BMR 55-66)
		286830-401	PLATFORM, 96" WIDE VEHICLE, 30" DEEP (BMR 35-44)
		286830-402	PLATFORM, 96" WIDE VEHICLE, 36" DEEP (BMR 35-44)
		286830-403	PLATFORM, 96" WIDE VEHICLE, 42" DEEP (BMR 35-44)
		286830-411	PLATFORM, 102" WIDE VEHICLE, 30" DEEP (BMR 35-44)
		286830-412	PLATFORM, 102" WIDE VEHICLE, 36" DEEP (BMR 35-44)
		286830-413	PLATFORM, 102" WIDE VEHICLE, 42" DEEP (BMR 35-44)
		1	1
286825-602	P/F WLDMT BMRB66,ST80X36 BLK		
286825-603	P/F WLDMT BMRB66,ST80X42 BLK		
286825-611	P/F WLDMT BMRBW66,ST85X30 BLK		
286825-612	P/F WLDMT BMRBW66,ST85X36 BLK		
286825-613	P/F WLDMT BMRBW66,ST85X42 BLK		
286825-401	P/F WLDMT BMRB44,ST80X30 BLK		
286825-402	P/F WLDMT BMRB44,ST80X36 BLK		
286825-403	P/F WLDMT BMRB44,ST80X42 BLK		
286825-411	P/F WLDMT BMRBW44,ST85X30 BLK		
286825-412	P/F WLDMT BMRBW44,ST85X36 BLK		
286825-413	P/F WLDMT BMRBW44,ST85X42 BLK		
2	2		
3	2	901002	NYLON LOCK NUT, 3/6"-16
4	2	253516	RUBBER BUMPER
5	2	902000-10	FLAT WASHER, 3/8"
6	2	900014-5	HEX HEAD BOLT, 3/8"-16 X 1-1/4" LG, GRADE 8
7	1	040066	NYLON LOCK NUT, 1/2"-13
8	2	900055-14	HEX HEAD SCREW, 5/8"-11 X 4-1/2" LG.
9	1	030331	JAM NUT, 5/8"-11
10	2	903443-12	FLAT WASHER, 5/8"
11	1	900036-11	SOCKET SCREW, 1/2"-13 X 2-1/5" LG.
12	2	900038-7	CAP SCREW, 3/4"-10 X 2" LG, GRADE 8
13	2	030335	JAM NUT, 3/4"-10
14	2	903435-10	LOCK WASHER, 3/4"-M18
15	2	901023-04	LOCK NUT, FLANGE, 5/8"-11
16	1	900055-02	HEX HEAD SCREW, 5/8"-11 X 1-1/2" LG.
17	1	902011-8	LOCK WASHER, 5/8" X 3/16" THICK
18	4	253657	BEARING, SELF LUBE, 1" DIA. X 1" LG.

PLATFORM ASSEMBLY GRATING (STEEL)

LAST UPDATED
OCT 2014 to SEPT 2016



PLATFORM ASSEMBLY GRATING (STEEL)

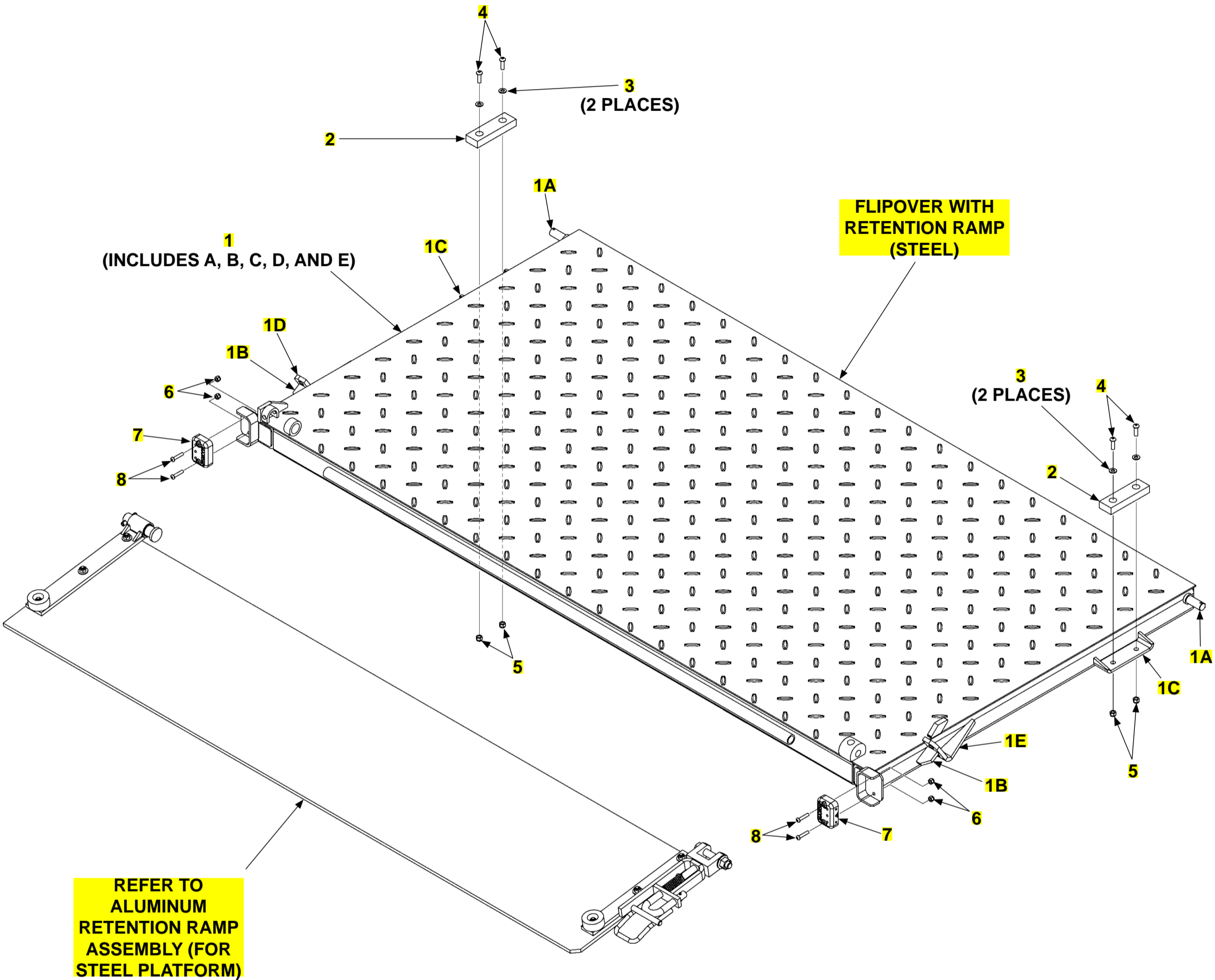
**LAST UPDATED
OCT 2014 to SEPT 2016**

ITEM	QTY.	PART NO.	DESCRIPTION
REF	1	288970-601G	PLATFORM, 96" WIDE VEHICLE, 30" DEEP (BMR 55-66)
		288970-602G	PLATFORM, 96" WIDE VEHICLE, 36" DEEP (BMR 55-66)
		288970-603G	PLATFORM, 96" WIDE VEHICLE, 42" DEEP (BMR 55-66)
		288970-611G	PLATFORM, 102" WIDE VEHICLE, 30" DEEP (BMR 55-66)
		288970-612G	PLATFORM, 102" WIDE VEHICLE, 36" DEEP (BMR 55-66)
		288970-613G	PLATFORM, 102" WIDE VEHICLE, 42" DEEP (BMR 55-66)
1	1	288971-601G	P/F WLDMT BMRB66G,ST80X30
		288971-602G	P/F WLDMT BMRB66G,ST80X36
		288971-603G	P/F WLDMT BMRB66G,ST80X42
		288971-611G	P/F WLDMT BMRBW66G,ST85X30
		288971-612G	P/F WLDMT BMRBW66G,ST85X36
		288971-613G	P/F WLDMT BMRBW66G,ST85X42
2	2	908007-05	BEARING, FLNGD 1.25SHFT,1.5"LG
3	2	901002	NYLON LOCK NUT, 3/6"-16
4	2	253516	RUBBER BUMPER
5	2	902000-10	FLAT WASHER, 3/8"
6	2	900014-5	HEX HEAD BOLT, 3/8"-16 X 1-1/4" LG, GRADE 8
7	1	040066	NYLON LOCK NUT, 1/2"-13
8	2	900055-16	HEX HEAD SCREW, 5/8"-11 X 5" LG.
9	2	903136-05	LOCK NUT, FLANGE, 5/8"-11
10	1	902011-8	LOCK WASHER, 5/8" X 3/16" THICK
11	1	900036-11	SOCKET SCREW, 1/2"-13 X 2-1/5" LG.
12	2	900038-7	HEX HEAD CAP SCREW, 3/4"-10 X 2" LG, GRADE 8
13	1	030331	JAM NUT, 5/8"-11
14	2	903435-10	LOCK WASHER, 3/4"-M18
15	1	900055-02	HEX HEAD SCREW, 5/8"-11 X 1-1/2" LG.
16	2	030335	JAM NUT, 3/4"-10
17	4	253657	BEARING, SELF LUBE, 1" DIA. X 1" LG.

FLIPOVER WITH RETENTION RAMP (STEEL)

LAST UPDATED
OCT 2014 to SEPT 2016

NOTE: Items 1A, 1B, 1C, 1D, and 1E are not galvanized or painted. Apply cold galvanize spray after welds cool.



FLIPOVER WITH RETENTION RAMP (STEEL)

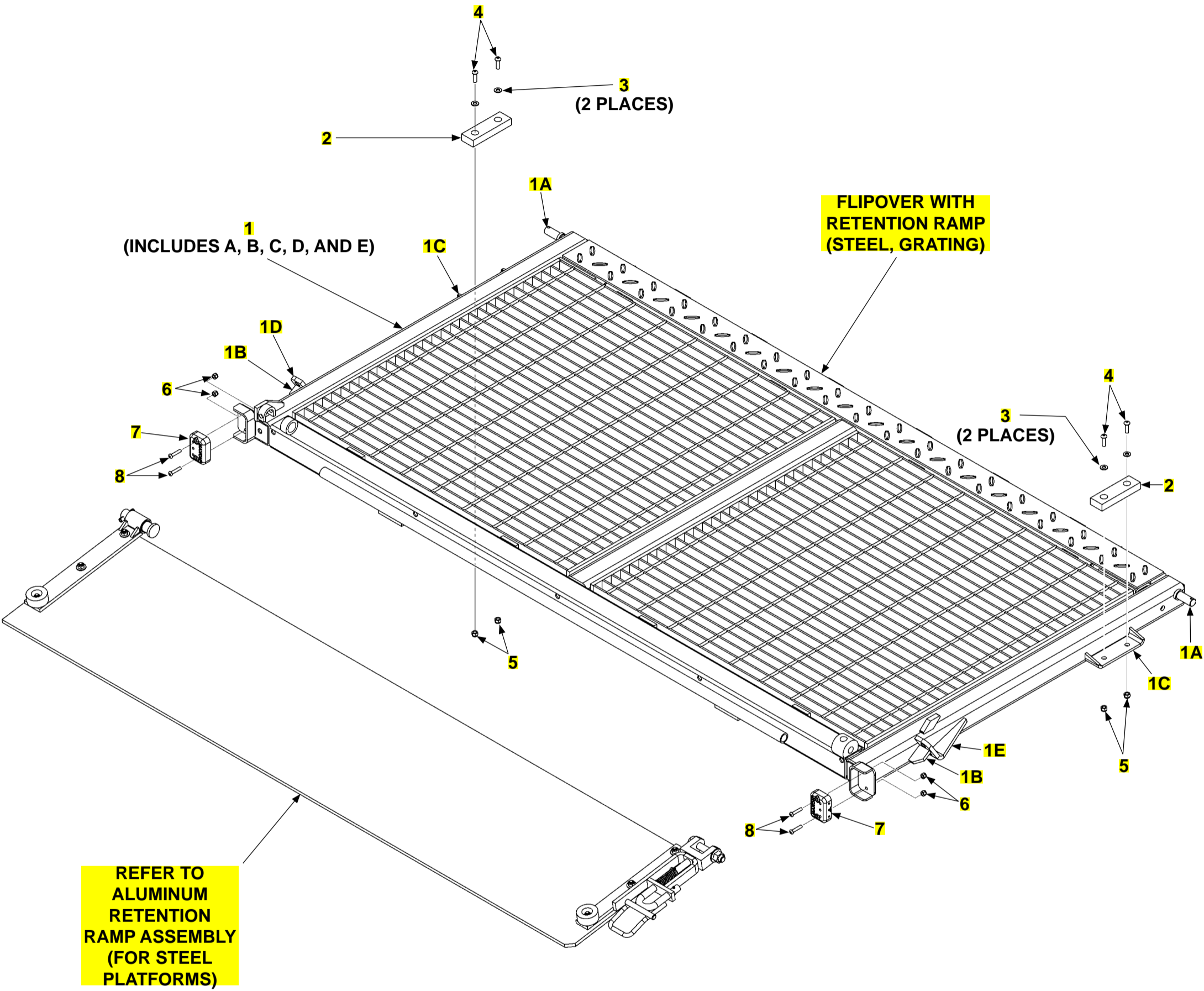
**LAST UPDATED
OCT 2014 to SEPT 2016**

ITEM	QTY.	PART NO.	DESCRIPTION
REF	1	286840-601	F/O,ARR ASSY BMRB66,ST80X30,BLK
		286840-602	F/O,ARR ASSY BMRB66,ST80X36,BLK
		286840-603	F/O,ARR ASSY BMRB66,ST80X42,BLK
		286840-604	F/O,ARR ASSY BMRB66,ST80X24,BLK
		286840-611	F/O,ARR ASSY BMRBW66,ST85X30,BLK
		286840-612	F/O,ARR ASSY BMRBW66,ST85X36,BLK
		286840-613	F/O,ARR ASSY BMRBW66,ST85X42,BLK
		286840-614	F/O,ARR ASSY BMRBW66,ST85X24,BLK
		286840-401	F/O,ARR ASSY BMRB44,ST80X30,BLK
		286840-402	F/O,ARR ASSY BMRB44,ST80X36,BLK
		286840-403	F/O,ARR ASSY BMRB44,ST80X42,BLK
		286840-404	F/O,ARR ASSY BMRB44,ST80X24,BLK
		286840-411	F/O,ARR ASSY BMRBW44,ST85X30,BLK
		286840-412	F/O,ARR ASSY BMRBW44,ST85X36,BLK
286840-413	F/O,ARR ASSY BMRBW44,ST85X42,BLK		
286840-414	F/O,ARR ASSY BMRBW44,ST85X24,BLK		
1	1	286835-604	FLIPOVER, 96" WIDE VEHICLE 24" DEEP (BMR 55-66)
		286835-601	FLIPOVER, 96" WIDE VEHICLE 30" DEEP (BMR 55-66)
		286835-602	FLIPOVER, 96" WIDE VEHICLE 36" DEEP (BMR 55-66)
		286835-603	FLIPOVER, 96" WIDE VEHICLE 42" DEEP (BMR 55-66)
		286835-614	FLIPOVER, 102" WIDE VEHICLE 24" DEEP (BMR 55-66)
		286835-611	FLIPOVER, 102" WIDE VEHICLE 30" DEEP (BMR 55-66)
		286835-612	FLIPOVER, 102" WIDE VEHICLE 36" DEEP (BMR 55-66)
		286835-613	FLIPOVER, 102" WIDE VEHICLE 42" DEEP (BMR 55-66)
		286835-404	FLIPOVER, 96" WIDE VEHICLE 24" DEEP (BMR 35-44)
		286835-401	FLIPOVER, 96" WIDE VEHICLE 30" DEEP (BMR 35-44)
		286835-402	FLIPOVER, 96" WIDE VEHICLE 36" DEEP (BMR 35-44)
		286835-403	FLIPOVER, 96" WIDE VEHICLE 42" DEEP (BMR 35-44)
		286835-414	FLIPOVER, 102" WIDE VEHICLE 24" DEEP (BMR 35-44)
		286835-411	FLIPOVER, 102" WIDE VEHICLE 30" DEEP (BMR 35-44)
		286835-412	FLIPOVER, 102" WIDE VEHICLE 36" DEEP (BMR 35-44)
		286835-413	FLIPOVER, 102" WIDE VEHICLE 42" DEEP (BMR 35-44)
		286835-604G	FLIPOVER, 96" WIDE VEHICLE 24" DEEP (BMR 55-66), GALVANIZED
		286835-601G	FLIPOVER, 96" WIDE VEHICLE 30" DEEP (BMR 55-66), GALVANIZED
		286835-602G	FLIPOVER, 96" WIDE VEHICLE 36" DEEP (BMR 55-66), GALVANIZED
		286835-603G	FLIPOVER, 96" WIDE VEHICLE 42" DEEP (BMR 55-66), GALVANIZED
286835-614G	FLIPOVER, 102" WIDE VEHICLE 24" DEEP (BMR 55-66), GALVANIZED		
286835-611G	FLIPOVER, 102" WIDE VEHICLE 30" DEEP (BMR 55-66), GALVANIZED		
286835-612G	FLIPOVER, 102" WIDE VEHICLE 36" DEEP (BMR 55-66), GALVANIZED		
286835-613G	FLIPOVER, 102" WIDE VEHICLE 42" DEEP (BMR 55-66), GALVANIZED		
1A	2	280194	PIN, CHAIN SUPPORT
1B	2	286837-01	SUPPORT GUSSET
1C	2	287579-01	BRACKET, BUMPER HOLDER
1D	1	288944-01	BRACKET,U-BOLT HOLDER,LH F/O
1E	1	288944-02	BRACKET,U-BOLT HOLDER,RH F/O
2	2	225278-02	BUMPER, 3/4" x 1-1/2" x 5"
3	4	902013-10	FLAT WASHER, 5/16"
4	4	900001-3	BUTTON HEAD SCREW, 5/16"-18 X 1" LG.
5	4	903106-10	NYLON LOCK NUT, 5/16"-18
6	4	903137-01	NYLON LOCK NUT, 1/4"-20
7	2	907150-01	FLASHING SAFETY LIGHT
8	4	900719-08	BUTTON SCREW, 1/4"-20 X 1-1/4"

FLIPOVER WITH RETENTION RAMP (STEEL, GRATING)

LAST UPDATED
OCT 2014 to SEPT 2016

NOTE: Items 1A, 1B, 1C, 1D, and 1E are not galvanized or painted. Apply cold galvanize spray after welds cool.



FLIPOVER WITH RETENTION RAMP (STEEL, GRATING)

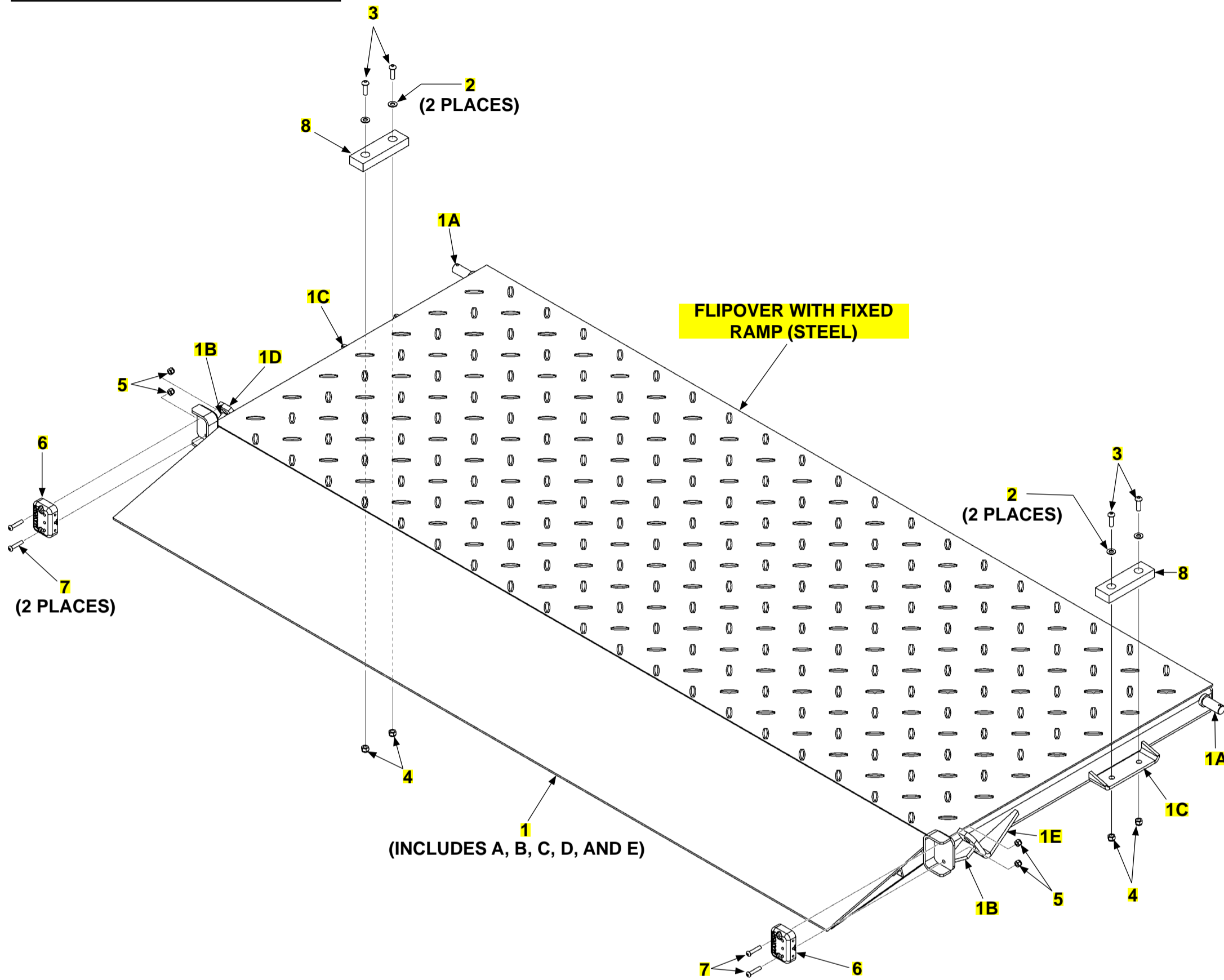
**LAST UPDATED
OCT 2014 to SEPT 2016**

ITEM	QTY.	PART NO.	DESCRIPTION
REF	1	288961-601G	F/O,ARR ASSY BMRB66G,ST80X30
		288961-602G	F/O,ARR ASSY BMRB66G,ST80X36
		288961-603G	F/O,ARR ASSY BMRB66G,ST80X42
		288961-604G	F/O,ARR ASSY BMRB66G,ST80X24
		288961-611G	F/O,ARR ASSY BMRBW66G,ST85X30
		288961-612G	F/O,ARR ASSY BMRBW66G,ST85X36
		288961-613G	F/O,ARR ASSY BMRBW66G,ST85X42
		288961-614G	F/O,ARR ASSY BMRBW66G,ST85X24
1	1	288962-604G	FLIPOVER, 96" WIDE VEHICLE, 24" DEEP (BMR 55-66)
		288962-601G	FLIPOVER, 96" WIDE VEHICLE, 30" DEEP (BMR 55-66)
		288962-602G	FLIPOVER, 96" WIDE VEHICLE, 36" DEEP (BMR 55-66)
		288962-603G	FLIPOVER, 96" WIDE VEHICLE, 42" DEEP (BMR 55-66)
		288962-614G	FLIPOVER, 102" WIDE VEHICLE, 24" DEEP (BMR 55-66)
		288962-611G	FLIPOVER, 102" WIDE VEHICLE, 30" DEEP (BMR 55-66)
		288962-612G	FLIPOVER, 102" WIDE VEHICLE, 36" DEEP (BMR 55-66)
		288962-613G	FLIPOVER, 102" WIDE VEHICLE, 42" DEEP (BMR 55-66)
1A	2	280194	PIN, CHAIN SUPPORT
1B	2	286837-01	SUPPORT GUSSET
1C	2	287579-01	BRACKET, BUMPER HOLDER
1D	1	288944-01	BRACKET,U-BOLT HOLDER,LH F/O
1E	1	288944-02	BRACKET,U-BOLT HOLDER,RH F/O
2	2	225278-02	BUMPER, 3/4" x 1-1/2" x 5"
3	4	902013-10	FLAT WASHER, 5/16"
4	4	900001-3	BUTTON HEAD SCREW, 5/16"-18 X 1" LG.
5	4	901001	NYLON LOCK NUT, 5/16"-18
6	4	903137-01	NYLON LOCK NUT, 1/4"-20
7	2	907150-01	FLASHING SAFETY LIGHT
8	4	900719-08	BUTTON SCREW, 1/4"-20 X 1-1/4"

FLIPOVER WITH FIXED RAMP (STEEL)

LAST UPDATED
OCT 2014 to SEPT 2016

NOTE: Items 1A, 1B, 1C, 1D, and 1E are not galvanized or painted. Apply cold galvanize spray after welds cool.



FLIPOVER WITH FIXED RAMP (STEEL)

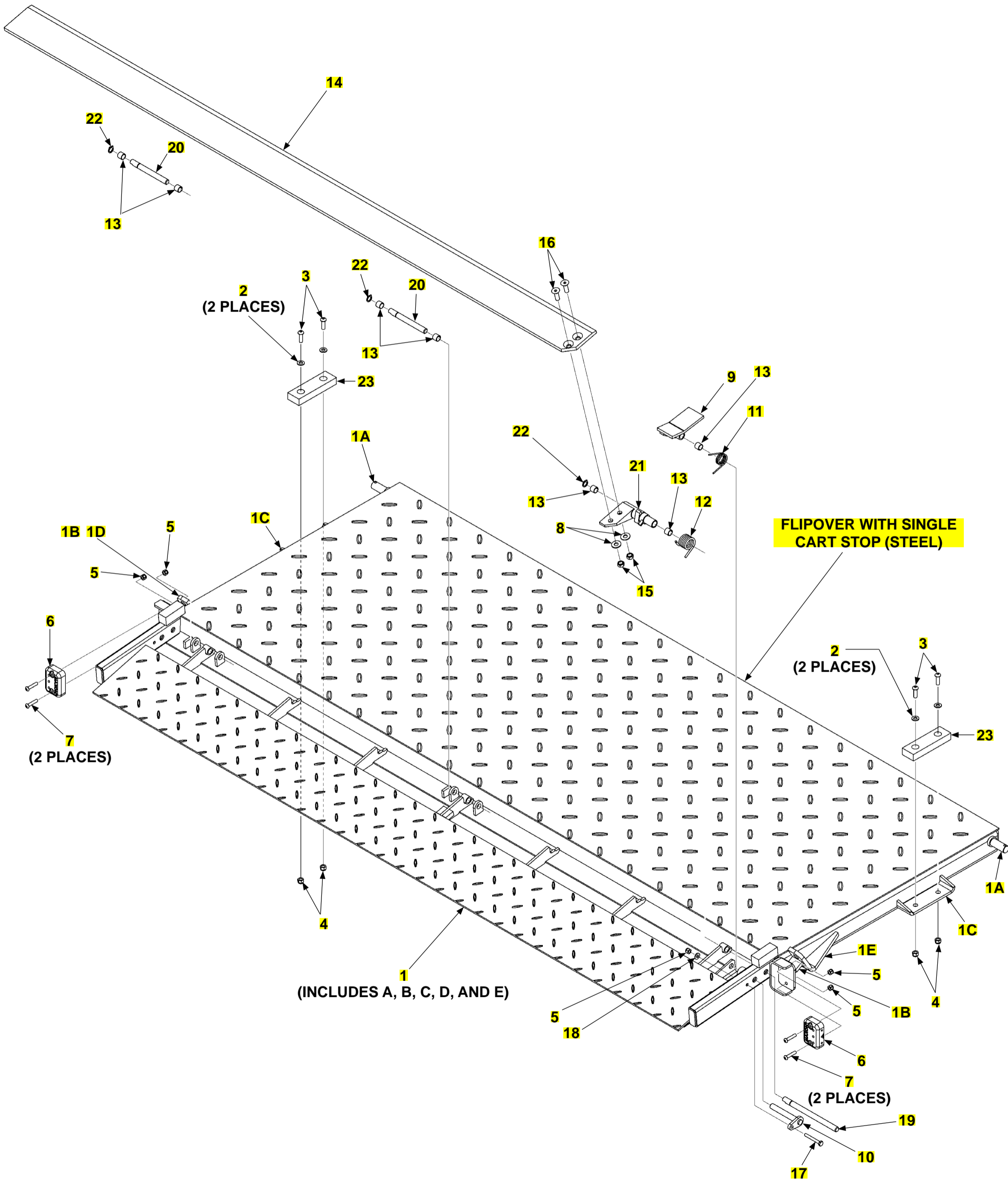
**LAST UPDATED
OCT 2014 to SEPT 2016**

ITEM	QTY.	PART NO.	DESCRIPTION
REF	1	288258-607	FLIPOVER W/FIXED RAMP, 96" WIDE VEHICLE, 30" DEEP (BMR 55-66)
		288258-606	FLIPOVER W/FIXED RAMP, 96" WIDE VEHICLE, 24" DEEP (BMR 55-66)
		288258-617	FLIPOVER W/FIXED RAMP, 102" WIDE VEHICLE, 30" DEEP (BMR 55-66)
		288258-616	FLIPOVER W/FIXED RAMP, 102" WIDE VEHICLE, 24" DEEP (BMR 55-66)
		288258-407	FLIPOVER W/FIXED RAMP, 96" WIDE VEHICLE, 30" DEEP (BMR 35-44)
		288258-406	FLIPOVER W/FIXED RAMP, 96" WIDE VEHICLE, 24" DEEP (BMR 35-44)
		288258-416	FLIPOVER W/FIXED RAMP, 102" WIDE VEHICLE, 30" DEEP (BMR 25-44)
		288258-417	FLIPOVER W/FIXED RAMP, 102" WIDE VEHICLE, 24" DEEP (BMR 35-44)
		288258-607G	FLIPOVER W/FIXED RAMP, 96" WIDE VEHICLE, 30" DEEP (BMR 55-66), GALVANIZED
		288258-606G	FLIPOVER W/FIXED RAMP, 96" WIDE VEHICLE, 24" DEEP (BMR 55-66), GALVANIZED
		288258-617G	FLIPOVER W/FIXED RAMP, 102" WIDE VEHICLE, 30" DEEP (BMR 55-66), GALVANIZED
		288258-616G	FLIPOVER W/FIXED RAMP, 102" WIDE VEHICLE, 24" DEEP (BMR 55-66), GALVANIZED
		1	1
287960-607	F/O WLDMT, BMRB, 80X30+12FR		
287960-616	F/O WLDMT, BMRBW, 85X24+12FR		
287960-617	F/O WLDMT, BMRBW, 85X30+12FR		
287960-406	F/O WLDMT, BMRB, 80X24+12FR		
287960-407	F/O WLDMT, BMRB, 80X30+12FR		
287960-416	F/O WLDMT, BMRBW, 85X24+12FR		
287960-417	F/O WLDMT, BMRBW, 85X30+12FR		
287959-12G	F/O WLDMT,BMRB66G,80X24+12FR		
287959-01G	F/O WLDMT,BMRB66G,80X30+12FR		
287959-13G	F/O WLDMT,BMRBW66G,85X24+12FR		
287959-02G	F/O WLDMT,BMRBW66G,85X30+12FR		
1A	2	280194	PIN, CHAIN SUPPORT
1B	2	286837-01	SUPPORT GUSSET
1C	2	287579-01	BRACKET, BUMPER HOLDER
1D	1	288944-01	BRACKET,U-BOLT HOLDER,LH F/O
1E	1	288944-02	BRACKET,U-BOLT HOLDER,RH F/O
2	4	902013-10	FLAT WASHER, 5/16"
3	4	900001-3	BUTTON HEAD SCREW, 5/16"-18 X 1" LG.
4	4	903106-10	NYLON LOCK NUT, 5/16"-18
5	4	903137-01	NYLON LOCK NUT, 1/4"-20
6	2	907150-01	FLASHING SAFETY LIGHT
7	4	900719-08	BUTTON SCREW, 1/4"-20 X 1-1/4"
8	2	225278-02	BUMPER, 3/4" x 1-1/2" x 5"

FLIPOVER WITH SINGLE CART STOP (STEEL)

LAST UPDATED
OCT 2014 to SEPT 2016

NOTE: Items 1A, 1B, 1C, 1D, and 1E are not galvanized or painted. Apply cold galvanize spray after welds cool.



FLIPOVER WITH SINGLE CART STOP (STEEL)

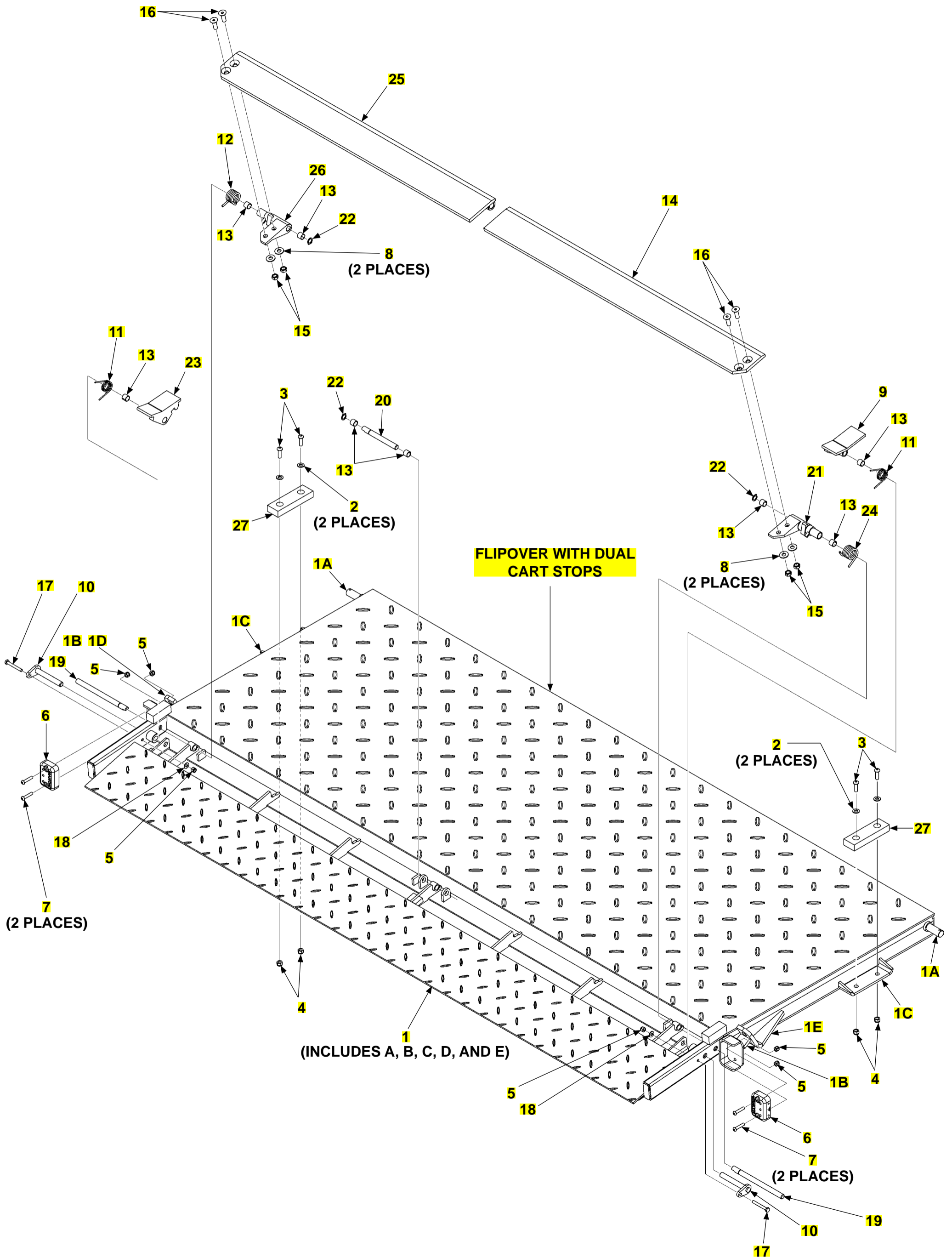
**LAST UPDATED
OCT 2014 to SEPT 2016**

ITEM	QTY.	PART NO.	DESCRIPTION
REF	1	287950-04	FLIPOVER W/SCS, 96" WIDE VEHICLE, 30" DEEP (BMR 55-66)
		287950-03	FLIPOVER W/SCS, 96" WIDE VEHICLE, 24" DEEP (BMR 55-66)
		287950-08	FLIPOVER W/SCS, 102" WIDE VEHICLE, 30" DEEP (BMR 55-66)
		287950-07	FLIPOVER W/SCS, 102" WIDE VEHICLE, 24" DEEP (BMR 55-66)
		287950-02	FLIPOVER W/SCS, 96" WIDE VEHICLE, 30" DEEP (BMR 35-44)
		287950-01	FLIPOVER W/SCS, 96" WIDE VEHICLE, 24" DEEP (BMR 35-44)
		287950-06	FLIPOVER W/SCS, 102" WIDE VEHICLE, 30" DEEP (BMR 25-44)
		287950-05	FLIPOVER W/SCS, 102" WIDE VEHICLE, 24" DEEP (BMR 35-44)
		296621-01G	F/O ASSY BMRG66, 80X30+12, SCS
		296621-02G	F/O ASSY BMRWG66, 85X30+12, SCS
		296621-03G	F/O ASSY BMRG66, 80X24+12, SCS
		296621-04G	F/O ASSY BMRG66, 85X24+12, SCS
		1	1
287951-02	F/O WLDMT BMRB44,80X30+12,SCS,BLK		
287951-03	F/O WLDMT BMRB66,80X24+12,SCS,BLK		
287951-04	F/O WLDMT BMRB66,80X30+12,SCS,BLK		
287951-05	F/O WLDMT BMRBW44,85X24+12,SCS,BLK		
287951-06	F/O WLDMT BMRBW44,85X30+12,SCS,BLK		
287951-07	F/O WLDMT BMRBW66,85X24+12,SCS,BLK		
287951-08	F/O WLDMT BMRBW66,85X30+12,SCS,BLK		
1A	2	280194	PIN, CHAIN SUPPORT
1B	2	286837-01	SUPPORT GUSSET
1C	2	287579-01	BRACKET, BUMPER HOLDER
1D	1	288944-01	BRACKET,U-BOLT HOLDER,LH F/O
1E	1	288944-02	BRACKET,U-BOLT HOLDER,RH F/O
2	4	902013-10	FLAT WASHER, 5/16"
3	4	900001-3	BUTTON HEAD SCREW, 5/16"-18 X 1" LG.
4	4	901001	NYLON LOCK NUT, 5/16"-18
5	5	901000	NYLON LOCK NUT, 1/4"-20
6	2	907150-01	FLASHING SAFETY LIGHT
7	4	900719-08	BUTTON SCREW, 1/4"-20 X 1-1/4"
8	2	902001-2	FLAT WASHER, 3/8" X 1/16" THICK
9	1	260360	LOCKING HOOK, RH
10	1	261693	PIN LOCKING HOOK SUPPORT
11	1	252460	SPRING,TORSION.095X3.5LH,302SS
12	1	202528-02	SPRING, TORSION .160 X 1
13	7	253542	BEARING, SELF-LUBE, 12" X 1/2"
14	1	253850	CART STOP, 3/8", ALUMINUM
15	2	030955	LOCK NUT, 3/8"-16
16	2	900061-5	SOCKET SCREW, 3/4"-16 X 1-1/4" LG.
17	1	260558	HEX HEAD BOLT, 1/4"-20 X 2" LG, GRADE 8
18	1	902013-09	FLAT WASHER, 1/4"
19	1	261496-02	PIN, 7-1/8" LG.
20	2	261496-01	PIN, 4-13/16" LG.
21	1	260321	LOCKING CAM, RH
22	3	260930	RETAINING RING, 1" X 1/16"
23	2	225278-02	BUMPER, 3/4" x 1-1/2" x 5"

FLIPOVER WITH DUAL CART STOPS (STEEL)

LAST UPDATED
OCT 2014 to SEPT 2016

NOTE: Items 1A, 1B, 1C, 1D, and 1E are not galvanized or painted. Apply cold galvanize spray after welds cool.



FLIPOVER WITH DUAL CART STOPS (STEEL)

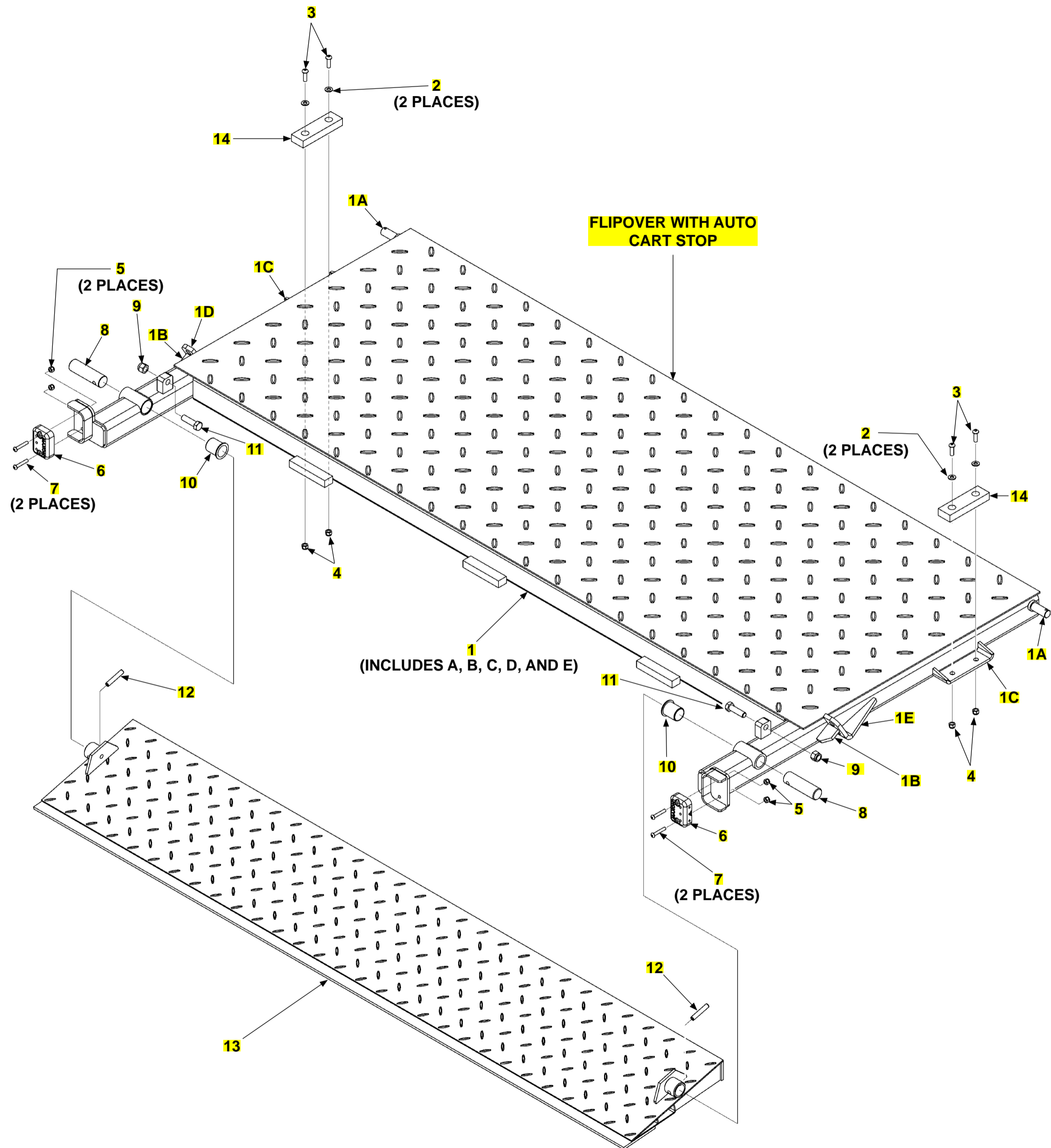
**LAST UPDATED
OCT 2014 to SEPT 2016**

ITEM	QTY.	PART NO.	DESCRIPTION
REF	1	287940-04	FLIPOVER W/DCS, 96" WIDE VEHICLE, 30" DEEP (BMR 55-66)
		287940-03	FLIPOVER W/DCS, 96" WIDE VEHICLE, 24" DEEP (BMR 55-66)
		287940-08	FLIPOVER W/DCS, 102" WIDE VEHICLE, 30" DEEP (BMR 55-66)
		287940-07	FLIPOVER W/DCS, 102" WIDE VEHICLE, 24" DEEP (BMR 55-66)
		287940-02	FLIPOVER W/DCS, 96" WIDE VEHICLE, 30" DEEP (BMR 35-44)
		287940-01	FLIPOVER W/DCS, 96" WIDE VEHICLE, 24" DEEP (BMR 35-44)
		287940-06	FLIPOVER W/DCS, 102" WIDE VEHICLE, 30" DEEP (BMR 25-44)
		287940-05	FLIPOVER W/DCS, 102" WIDE VEHICLE, 24" DEEP (BMR 35-44)
		296622-01G	F/O ASSY, BMR66G, 80X30+12, DCS
		296622-02G	F/O ASSY, BMRW66G, 85X30+12, DCS
		296622-03G	F/O ASSY, BMR66G, 80X24+12, DCS
		296622-04G	F/O ASSY, BMRW66G, 85X24+12, DCS
		1	1
287941-02	F/O WLDMT BMRB44,80X30+12,DCS,BLK		
287941-03	F/O WLDMT BMRB66,80X24+12,DCS,BLK		
287941-04	F/O WLDMT BMRB66,80X30+12,DCS,BLK		
287941-05	F/O WLDMT BMRBW44,85X24+12,DCS,BLK		
287941-06	F/O WLDMT BMRBW44,85X30+12,DCS,BLK		
287941-07	F/O WLDMT BMRBW66,85X24+12,DCS,BLK		
287941-08	F/O WLDMT BMRBW66,85X30+12,DCS,BLK		
1A	2	280194	PIN, CHAIN SUPPORT
1B	2	286837-01	SUPPORT GUSSET
1C	2	287579-01	BRACKET, BUMPER HOLDER
1D	1	288944-01	BRACKET,U-BOLT HOLDER,LH F/O
1E	1	288944-02	BRACKET,U-BOLT HOLDER,RH F/O
2	4	902013-10	FLAT WASHER, 5/16"
3	4	900001-3	BUTTON HEAD SCREW, 5/16"-18 X 1" LG.
4	4	901001	NYLON LOCK NUT, 5/16"-18
5	6	901000	NYLON LOCK NUT, 1/4"-20
6	2	907150-01	FLASHING SAFETY LIGHT
7	4	900719-08	BUTTON SCREW, 1/4"-20 X 1-1/4"
8	4	902001-2	FLAT WASHER, 3/8" X 1/16" THICK
9	1	260360	LOCKING HOOK, RH
10	2	261693	PIN LOCKING HOOK SUPPORT
11	1	252460	SPRING,TORSION.095X3.5LH,302SS
12	1	202528-01	SPRING, TORSION .160 X 1
13	8	253542	BEARING, SELF-LUBE, 12" X 1/2"
14	1	253896	CART STOP, 3/8", ALUMINUM
15	4	030955	LOCK NUT, 3/8"-16
16	4	900061-5	SOCKET SCREW, 3/4"-16 X 1-1/4" LG.
17	2	260558	HEX HEAD BOLT, 1/4"-20 X 2" LG, GRADE 8
18	2	902013-09	FLAT WASHER, 1/4"
19	2	261496-02	PIN, 7-1/8" LG.
20	1	261496-01	PIN, 4-13/16" LG.
21	1	260321	LOCKING CAM, RH
22	3	260930	RETAINING RING, 1" X 1/16"
23	1	260360-01	LOCKING HOOK, LH
24	1	202528-02	SPRING, TORSION .160 X 1
25	1	253896-01	CART STOP, 3/8", ALUMINUM
26	1	260321-01	LOCKING CAM, LH
27	2	225278-02	BUMPER, 3/4" x 1-1/2" x 5"

FLIPOVER WITH AUTO CART STOP (STEEL)

LAST UPDATED
OCT 2014 to SEPT 2016

NOTE: Items 1A, 1B, 1C, 1D, and 1E are not galvanized or painted. Apply cold galvanize spray after welds cool.



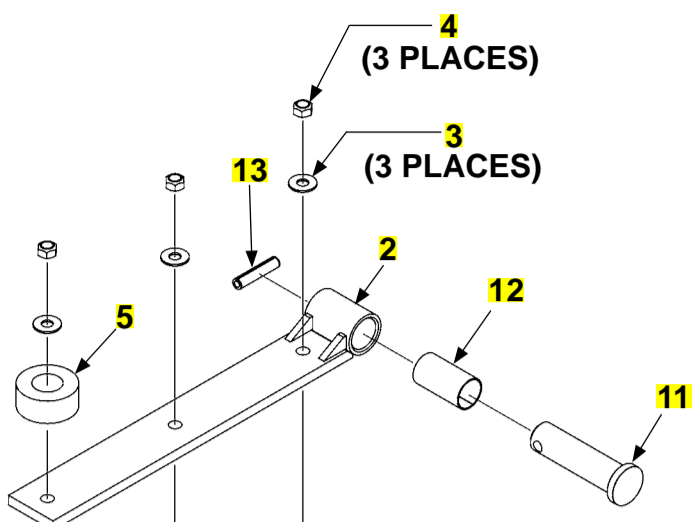
FLIPOVER WITH AUTO CART STOP (STEEL)

**LAST UPDATED
OCT 2014 to SEPT 2016**

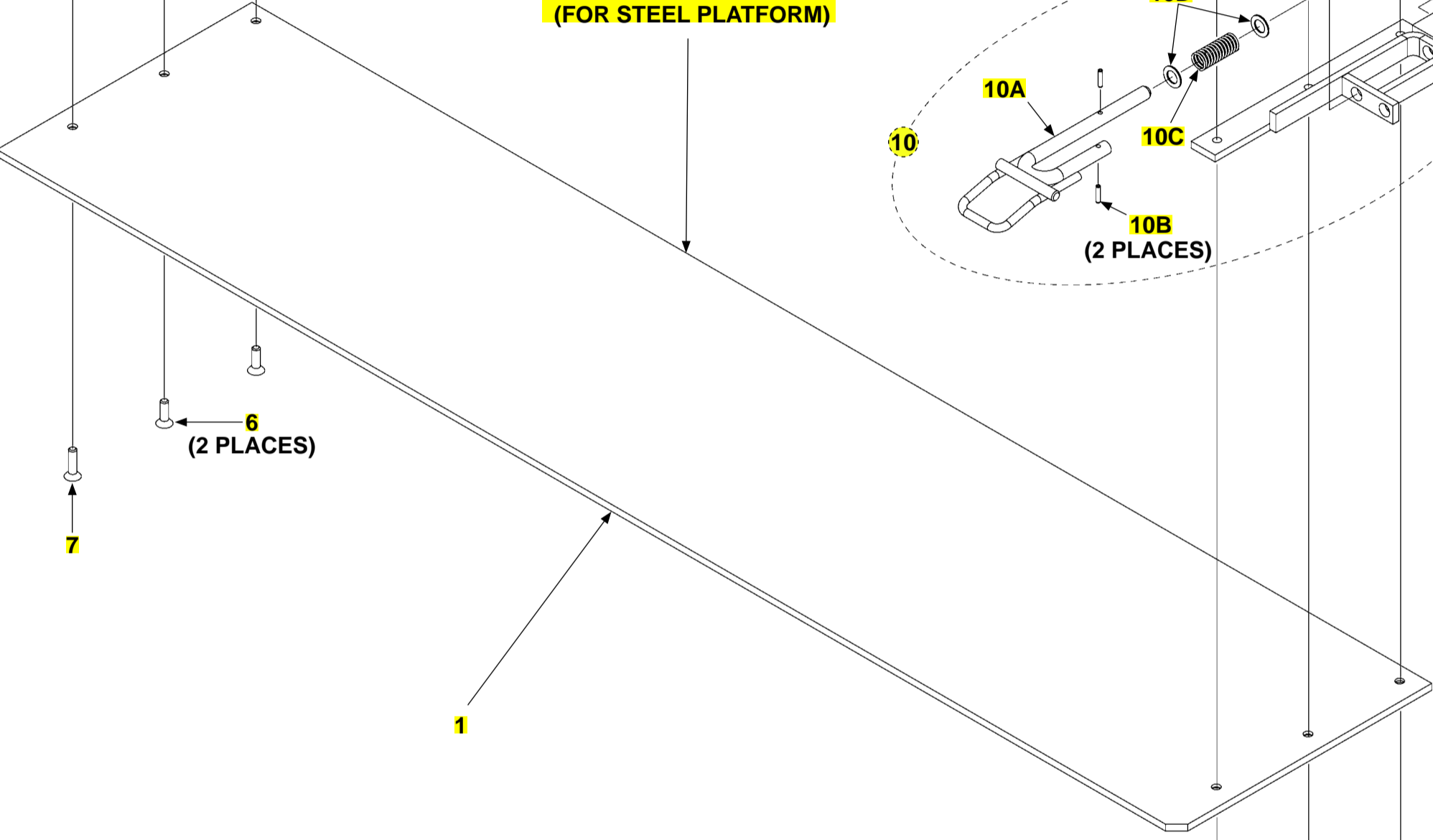
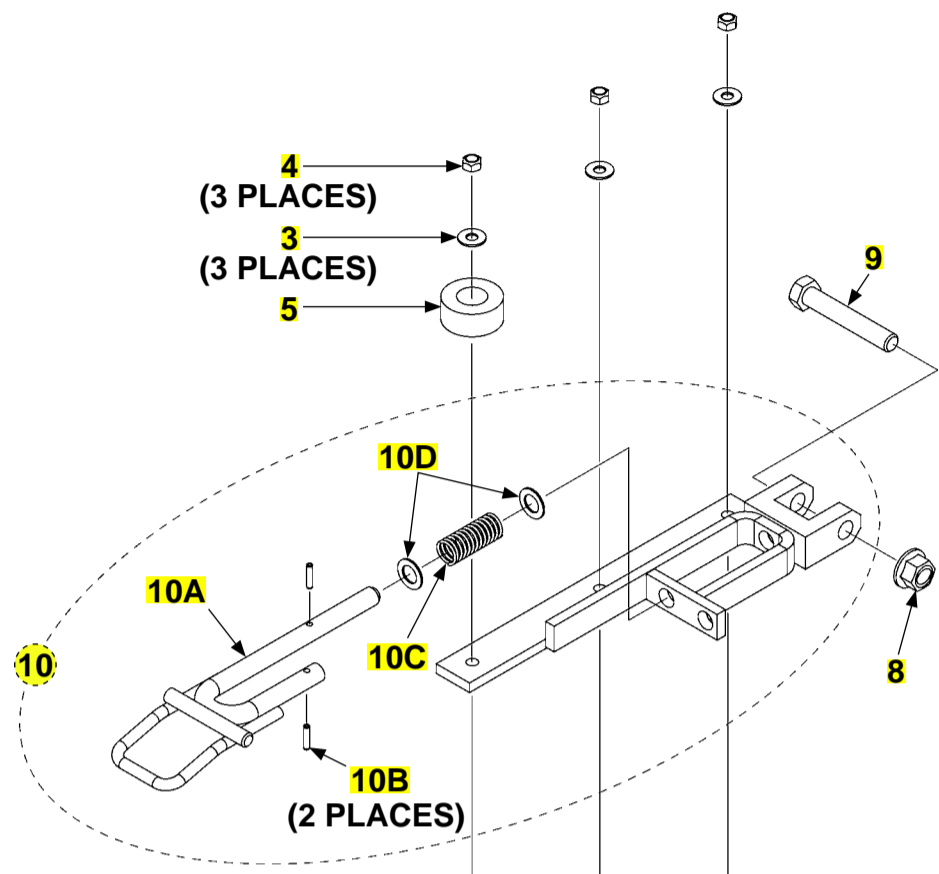
ITEM	QTY.	PART NO.	DESCRIPTION
REF	1	288751-11	FLIPOVER W/AUTO CART STOP, 96" WIDE VEHICLE, 30" FLIPOVER (BMR 55-66)
		288751-12	FLIPOVER W/AUTO CART STOP, 102" WIDE VEHICLE, 30" FLIPOVER (BMR 55-66)
		288751-01	FLIPOVER W/AUTO CART STOP, 96" WIDE VEHICLE, 30" FLIPOVER (BMR 35-44)
		288751-02	FLIPOVER W/AUTO CART STOP, 102" WIDE VEHICLE, 30" FLIPOVER (BMR 35-44)
		288757-01G	FLIPOVER W/AUTO CART STOP, 96" WIDE VEHICLE, 30" FLIPOVER (BMR 55-66), GALVANIZED
		288757-02G	FLIPOVER W/AUTO CART STOP, 102" WIDE VEHICLE, 30" FLIPOVER (BMR 55-66), GALVANIZED
1	1	288753-11	F/O WLDMT, BMRB66,ST30X80, ACS
		288753-12	F/O WLDMT,BMRBW66,ST30X85, ACS
		288753-01	F/O WLDMT,BMRB44, ST30X80, ACS
		288753-02	F/O WLDMT,BMRBW44,ST30X85, ACS
		288756-01G	F/O WLDMT, BMRB66G,80X30, ACS
		288756-02G	F/O WLDMT, BMRBW66G,85X30, ACS
1A	2	280194	PIN, CHAIN SUPPORT
1B	2	286837-01	SUPPORT GUSSET
1C	2	287579-01	BRACKET, BUMPER HOLDER
1D	1	288944-01	BRACKET,U-BOLT HOLDER,LH F/O
1E	1	288944-02	BRACKET,U-BOLT HOLDER,RH F/O
2	4	902013-10	FLAT WASHER, 5/16"
3	4	900001-3	BUTTON HEAD SCREW, 5/16"-18 X 1" LG.
4	4	901001	NYLON LOCK NUT, 5/16"-18
5	4	903137-01	NYLON LOCK NUT, 1/4"-20
6	2	907150-01	FLASHING SAFETY LIGHT
7	4	900719-09	BUTTON SCREW, 1/4"-20 X 1-1/2"
8	2	281369-02	CART STOP PIN, 1-1/8" DIA. X 3-13/16" LG.
9	2	900734-07	HEX HEAD SCREW,1/2"-13 X 1-3/4" LG.
10	2	261837-12	BUSHING, FLANGE, 1-1/8" I.D. X 1-1/2" LG.
11	2	903117-01	NYLON LOCK NUT, 1/2"-13
12	2	904717-06	ROLL PIN, 3/8" X 2" LG.
13	1	288752-01	RAMP WLDMT, CART STOP 12X74.75
		288752-02	RAMP WLDMT, CART STOP 12X79.75
		288752-11G	RAMP WLDMT, C/S 12X74.75,GALV
		288752-12G	RAMP WLDMT, C/S 12X79.75,GALV
14	2	225278-02	BUMPER, 3/4" x 1-1/2" x 5"

ALUMINUM RETENTION RAMP ASSEMBLY (FOR STEEL PLATFORM)

LAST UPDATED
OCT 2014 to SEPT 2016



**ALUMINUM RETENTION
RAMP ASSEMBLY
(FOR STEEL PLATFORM)**



**6
(2 PLACES)**

**6
(2 PLACES)**

**4
(3 PLACES)**

**3
(3 PLACES)**

5

10D

10A

**10B
(2 PLACES)**

10C

8

9

7

7

1

13

**4
(3 PLACES)**

**3
(3 PLACES)**

2

12

11

ALUMINUM RETENTION RAMP ASSEMBLY (FOR STEEL PLATFORM)**LAST UPDATED
OCT 2014 to SEPT 2016**

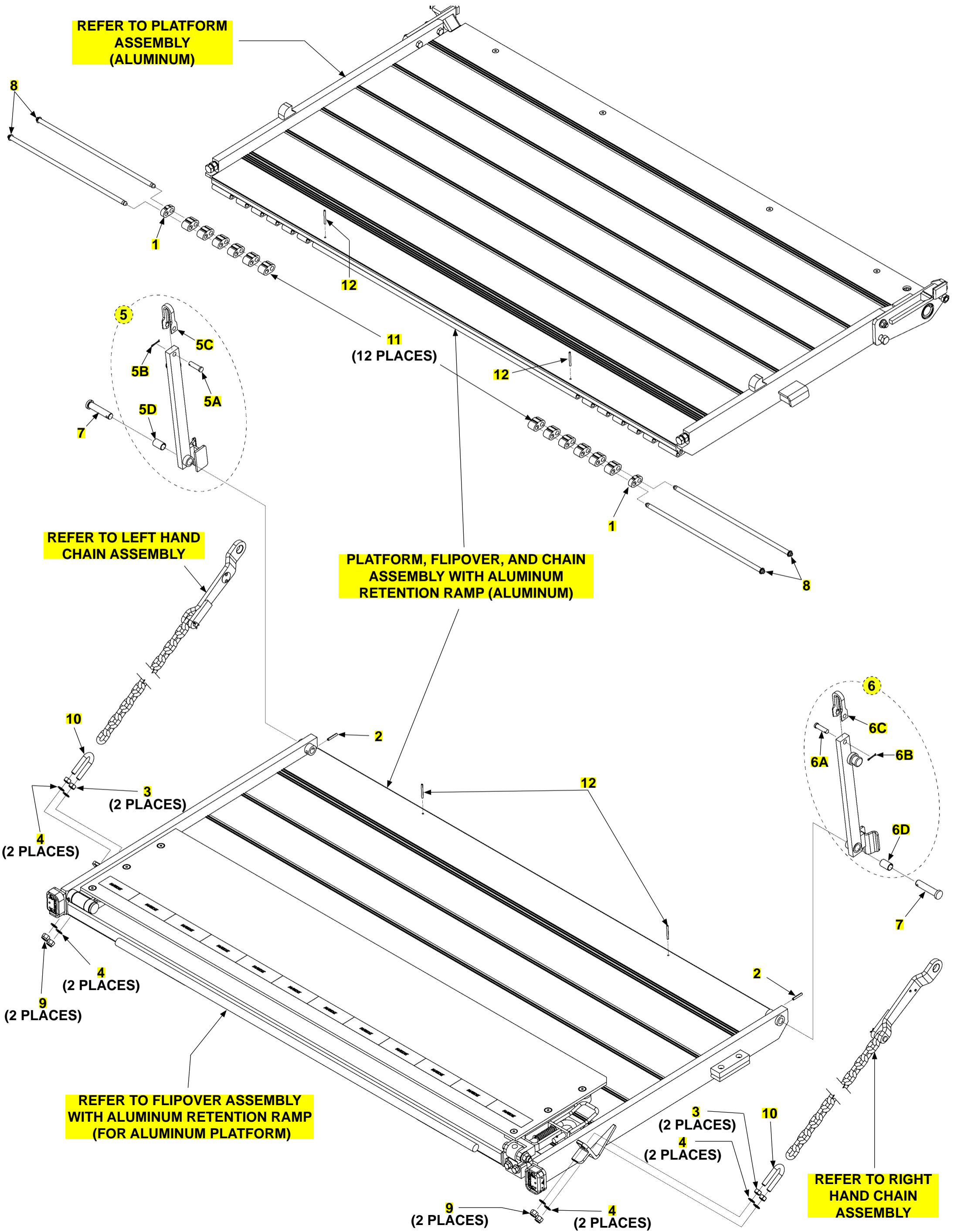
ITEM	QTY.	PART NO.	DESCRIPTION
REF	1	286845-80	ALUMINUM RETENTION RAMP ASSEMBLY, 16" (96" WIDE VEH)
		286845-85	ALUMINUM RETENTION RAMP ASSEMBLY, 16" (102" WIDE VEH)
1	1	287529-51	ALUMINUM RAMP 16" X 77" LG. (96" WIDE VEH)
		287529-52	ALUMINUM RAMP 16" X 83" LG. (102" WIDE VEH)
2	1	253526-01	HINGE ARM WELDMENT, LH (GALVANIZED)
3	6	902001-2	FLAT WASHER, 3/8"
4	6	030955	NYLON LOCK NUT, 3/8"-16
5	2	905363-01	RUBBER BUMPER
6	4	900040-5	SCREW, FLAT SOCKET HEAD, 3/8"-16" X 1-1/4" LG.
7	2	900040-6	SCREW, FLAT SOCKET HEAD, 3/8"-16 X 1-1/2" LG.
8	1	901023-04	LOCK NUT, FLANGE, 5/8"-11
9	1	900055-11	HEX HEAD SCREW, 5/8"-11 X 3-3/4" LG.
10	1	287528-01	ARM ASSEMBLY, RH
10A	1	287575-01	PIN LOCKING WELDMENT
10B	2	904719-08	ROLL PIN, 3/16" O.D. X 7/8" LG.
10C	1	908209-01	COMPRESSION SPRING
10D	2	903434-13	WASHER, FLAT, M16, SS
11	1	253528	PIN WELDMENT
12	1	253541	BEARING, SELF LUBE, 1" DIA. X 2" LG.
13	1	904717-05	ROLL PIN, 3/8" X 1-3/4" LG.

PLATFORM, FLIPOVER, AND CHAIN ASSEMBLY WITH ALUMINUM RETENTION RAMP (ALUMINUM)

LAST UPDATED
OCT 2014 to SEPT 2016

CAUTION

MAXON recommends replacing Left Hand & Right Hand platform support chains as a set. Possible harm to users or bystanders and/or equipment damage could result if chains are only replaced one at a time.



PLATFORM, FLIPOVER, AND CHAIN ASSEMBLY WITH ALUMINUM RETENTION RAMP (ALUMINUM)

**LAST UPDATED
OCT 2014 to SEPT 2016**

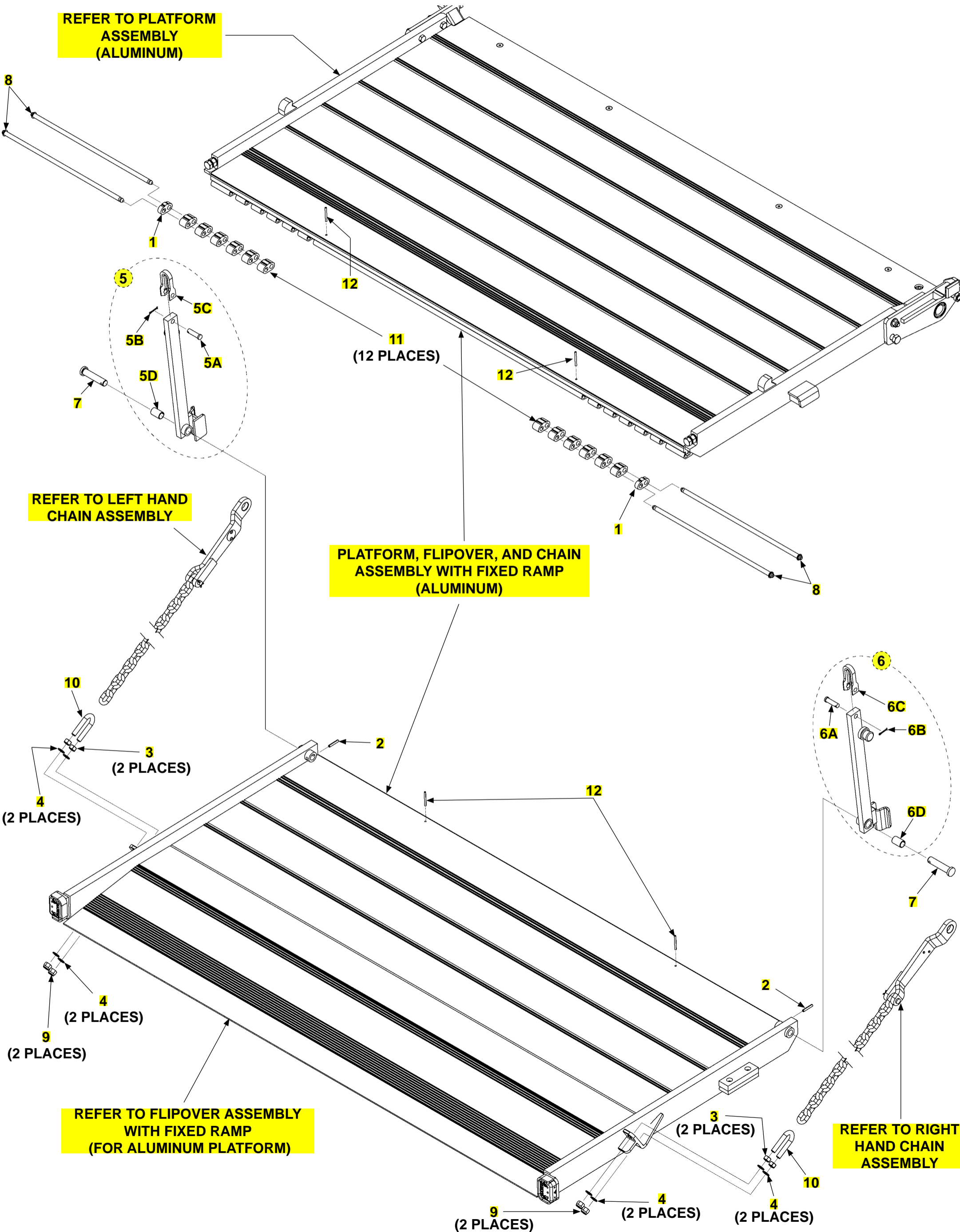
ITEM	QTY.	PART NO.	DESCRIPTION
REF	1	286850-651	P/F,F/O ASSY, AL80X(30+30+16ARR)
		286850-652	P/F,F/O ASSY, AL80X(36+36+16ARR)
		286850-653	P/F,F/O ASSY, AL80X(42+42+16ARR)
		286850-661	P/F,F/O ASSY, AL85X(30+30+16ARR)
		286850-662	P/F,F/O ASSY, AL85X(36+36+16ARR)
		286850-663	P/F,F/O ASSY, AL85X(42+42+16ARR)
		286850-651MG	P/F,F/O ASSY, AL80X(30+30+16ARR),MG
		286850-652MG	P/F,F/O ASSY, AL80X(36+36+16ARR),MG
		286850-653MG	P/F,F/O ASSY, AL80X(42+42+16ARR),MG
		286850-661MG	P/F,F/O ASSY, AL85X(30+30+16ARR),MG
		286850-662MG	P/F,F/O ASSY, AL85X(36+36+16ARR),MG
		286850-663MG	P/F,F/O ASSY, AL85X(42+42+16ARR),MG
1	2	311046-11	LINK SPACER, 1/2" LG.
2	2	905033-1	ROLL PIN, 1/4" X 1-1/2" LG.
3	4	901011-9	NUT, 1/2"-13
4	8	902000-14	FLAT WASHER, 1/2"
5	1	286880-01	OPENER ASSEMBLY LH, 30" + 30" *
		286880-03	OPENER ASSEMBLY LH, 36" + 36" *
		286880-05	OPENER ASSEMBLY LH, 42" + 42" *
5A	1	905136-01	CLEVIS PIN, 1/2" X 1-7/8" LG, GRADE 8
5B	1	030805	COTTER PIN, 1/8" X 1" LG.
5C	1	280644-01	ANCHOR SHACKLE
5D	1	260917-05	BEARING, SELF LUBE, 3/4" DIA. X 1-3/8" LG.
6	1	286880-02	OPENER ASSEMBLY RH, 30" + 30" *
		286880-04	OPENER ASSEMBLY RH, 36" + 36" *
		286880-06	OPENER ASSEMBLY RH, 42" + 42" *
6A	1	905136-02	CLEVIS PIN, 1/2" X 1-3/4" LG, GRADE 8
6B	1	030805	COTTER PIN, 1/8" X 1" LG.
6C	1	280644-01	ANCHOR SHACKLE
6D	1	260917-05	BEARING, SELF LUBE, 3/4" DIA. X 1-3/8" LG.
7	2	280195	PIN
8	4	285963-01	HINGE PIN
9	4	901010	NYLON LOCK NUT, 1/2"-13
10	2	282854-01	U-BOLT
11	12	311046-10	LINK SPACER, 1" LG.
12	4	904719-17	ROLL PIN, 3/16" X 2" LG.

PLATFORM, FLIPOVER, AND CHAIN ASSEMBLY WITH FIXED RAMP (ALUMINUM)

LAST UPDATED
OCT 2014 to SEPT 2016

⚠ CAUTION

MAXON recommends replacing Left Hand & Right Hand platform support chains as a set. Possible harm to users or bystanders and/or equipment damage could result if chains are only replaced one at a time.



PLATFORM, FLIPOVER, AND CHAIN ASSEMBLY WITH FIXED RAMP (ALUMINUM)

**LAST UPDATED
OCT 2014 to SEPT 2016**

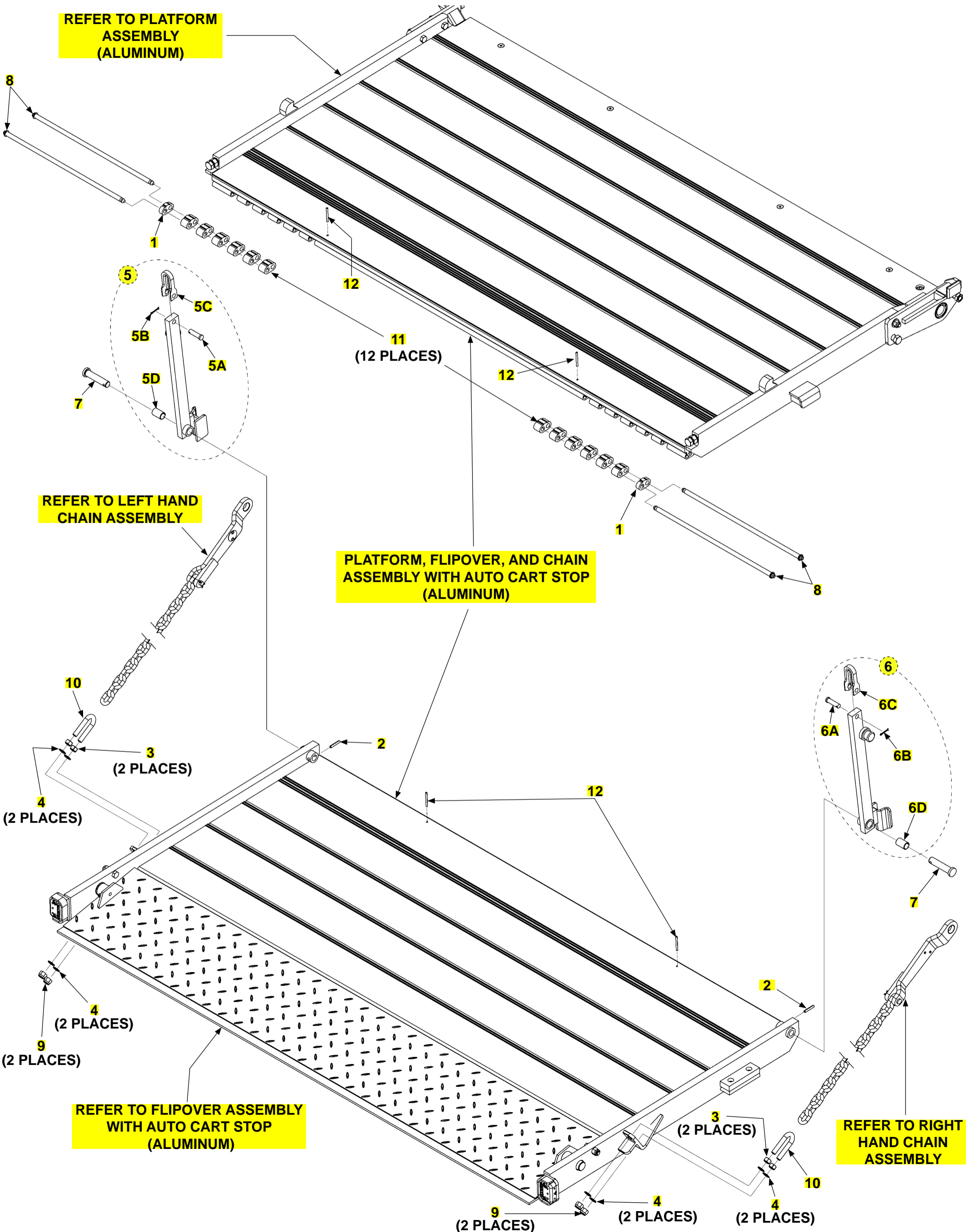
ITEM	QTY.	PART NO.	DESCRIPTION
REF	1	288264-656	P/F,C-BAR ASSY BMRB,AL80X(36+24+12FIX)
		288264-657	P/F,C-BAR ASSY BMRB,AL80X(42+30+12FIX)
		288264-666	P/F,C-BAR ASSY BMRBW,AL85X(36+24+12FIX)
		288264-667	P/F,C-BAR ASSY BMRBW,AL85X(42+30+12FIX)
		288264-656MG	P/F,C-BAR ASSY BMRB,AL80X(36+24+12FIX),MG
		288264-657MG	P/F,C-BAR ASSY BMRB,AL80X(42+30+12FIX),MG
		288264-666MG	P/F,C-BAR ASSY BMRBW,AL85X(36+24+12FIX),MG
		288264-667MG	P/F,C-BAR ASSY BMRBW,AL85X(42+30+12FIX),MG
1	2	311046-11	LINK SPACER, 1/2" LG.
2	2	905033-1	ROLL PIN, 1/4" X 1-1/2" LG.
3	4	901011-9	NUT, 1/2"-13
4	8	902000-14	FLAT WASHER, 1/2"
5	1	286880-07	OPENER ASSEMBLY LH, 36" + 24" *
		286880-09	OPENER ASSEMBLY LH, 42" + 30" *
5A	1	905136-01	CLEVIS PIN, 1/2" X 1-7/8" LG, GRADE 8
5B	1	030805	COTTER PIN, 1/8" X 1" LG.
5C	1	280644-01	ANCHOR SHACKLE
5D	1	260917-05	BEARING, SELF LUBE, 3/4" DIA. X 1-3/8" LG.
6	1	286880-08	OPENER ASSEMBLY RH, 36" + 24" *
		286880-10	OPENER ASSEMBLY RH, 42" + 30" *
6A	1	905136-02	CLEVIS PIN, 1/2" X 1-3/4" LG, GRADE 8
6B	1	030805	COTTER PIN, 1/8" X 1" LG.
6C	1	280644-01	ANCHOR SHACKLE
6D	1	260917-05	BEARING, SELF LUBE, 3/4" DIA. X 1-3/8" LG.
7	2	280195	PIN
8	4	285963-01	HINGE PIN
9	4	901010	NYLON LOCK NUT, 1/2"-13
10	2	282854-01	U-BOLT
11	12	311046-10	LINK SPACER, 1" LG.
12	4	904719-17	ROLL PIN, 3/16" X 2" LG.

PLATFORM, FLIPOVER, AND CHAIN ASSEMBLY WITH AUTO CART STOP (ALUMINUM)

LAST UPDATED
OCT 2014 to SEPT 2016

⚠ CAUTION

MAXON recommends replacing Left Hand & Right Hand platform support chains as a set. Possible harm to users or bystanders and/or equipment damage could result if chains are only replaced one at a time.



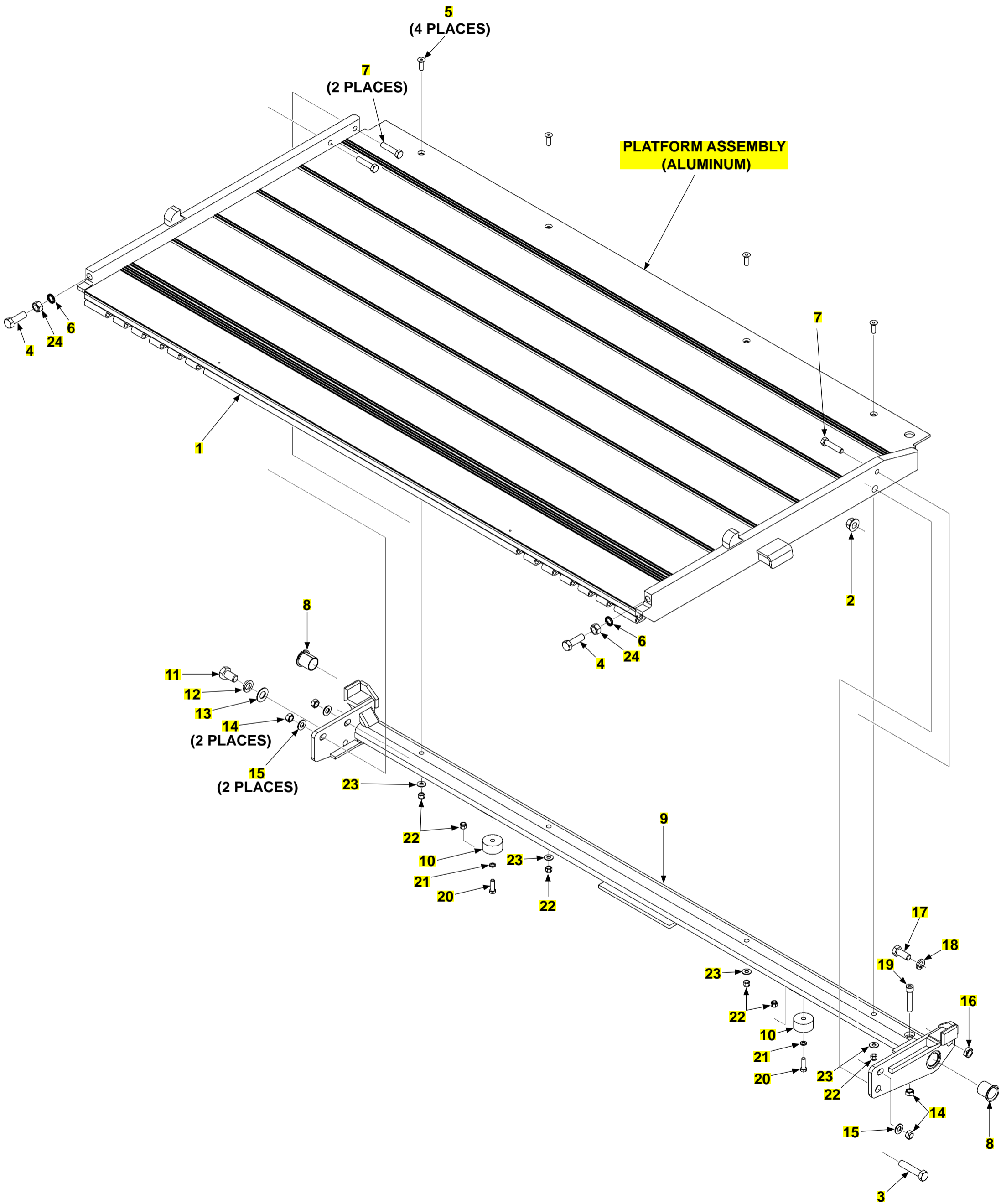
PLATFORM, FLIPOVER, AND CHAIN ASSEMBLY WITH AUTO CART STOP (ALUMINUM)

**LAST UPDATED
OCT 2014 to SEPT 2016**

ITEM	QTY.	PART NO.	DESCRIPTION
REF	1	288762-651	P/F,F/O ASSY,BMRB,AL80X(42+30+12ACS)
		288762-652	P/F,F/O ASSY,BMRBW,AL85X(42+30+12ACS)
		288762-651MG	P/F,F/O ASSY,BMRB,AL80X(42+30+12ACS),MG
		288762-652MG	P/F,F/O ASSY,BMRBW,AL85X(42+30+12ACS),MG
1	2	311046-11	LINK SPACER, 1/2" LG.
2	2	905033-1	ROLL PIN, 1/4" X 1-1/2" LG.
3	4	901011-9	NUT, 1/2"-13
4	8	902000-14	FLAT WASHER, 1/2"
5	1	286880-07	OPENER ASSEMBLY LH, 36" + 24" *
		286880-09	OPENER ASSEMBLY LH, 42" + 30" *
5A	1	905136-01	CLEVIS PIN, 1/2" X 1-7/8" LG, GRADE 8
5B	1	030805	COTTER PIN, 1/8" X 1" LG.
5C	1	280644-01	ANCHOR SHACKLE
5D	1	260917-05	BEARING, SELF LUBE, 3/4" DIA. X 1-3/8" LG.
6	1	286880-08	OPENER ASSEMBLY RH, 36" + 24" *
		286880-10	OPENER ASSEMBLY RH, 42" + 30" *
6A	1	905136-02	CLEVIS PIN, 1/2" X 1-3/4" LG, GRADE 8
6B	1	030805	COTTER PIN, 1/8" X 1" LG.
6C	1	280644-01	ANCHOR SHACKLE
6D	1	260917-05	BEARING, SELF LUBE, 3/4" DIA. X 1-3/8" LG.
7	2	280195	PIN
8	4	285963-01	HINGE PIN
9	4	901010	NYLON LOCK NUT, 1/2"-13
10	2	282854-01	U-BOLT
11	12	311046-10	LINK SPACER, 1" LG.
12	4	904719-17	ROLL PIN, 3/16" X 2" LG.

PLATFORM ASSEMBLY (ALUMINUM)

LAST UPDATED
OCT 2014 to SEPT 2016



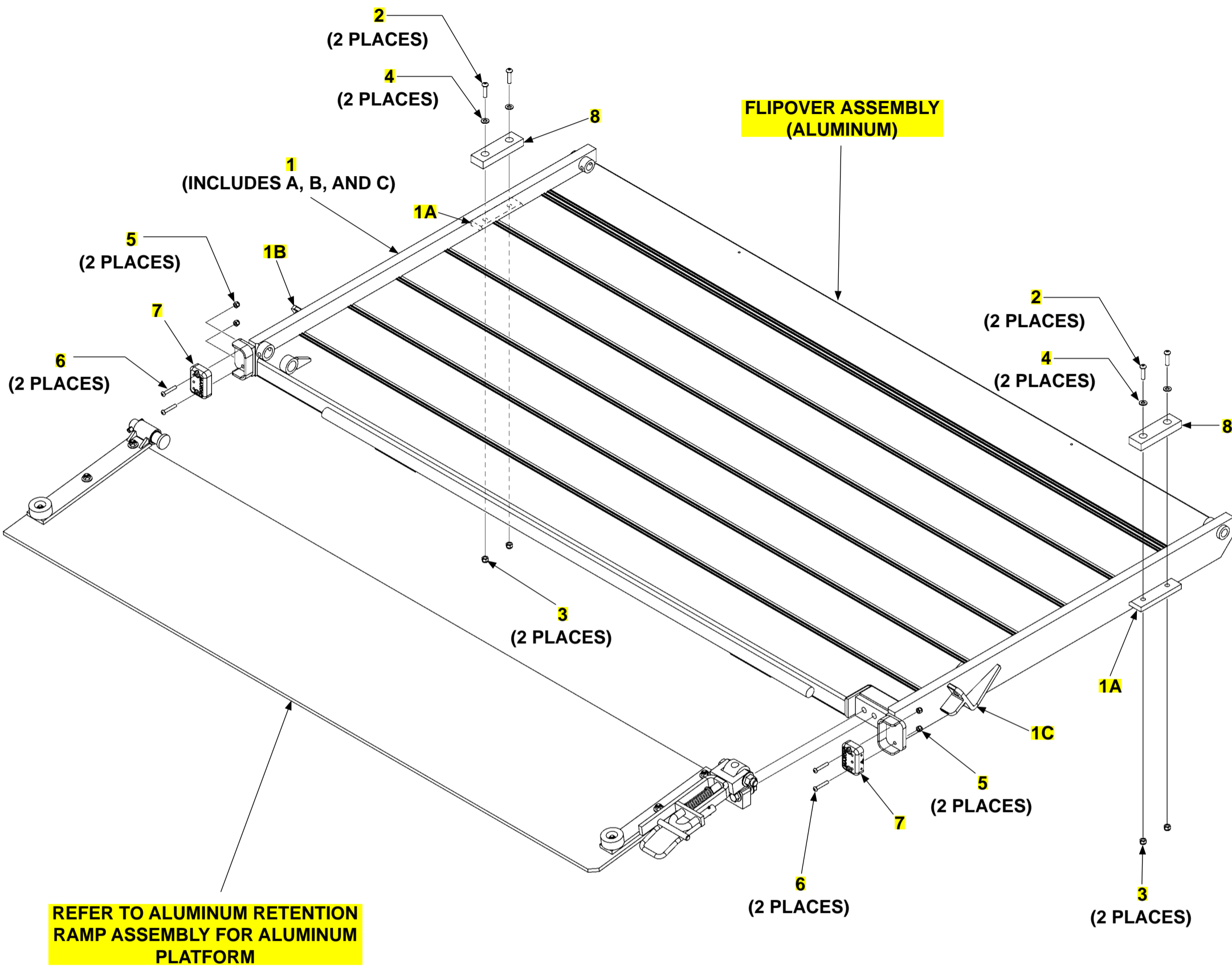
PLATFORM ASSEMBLY (ALUMINUM)

**LAST UPDATED
OCT 2014 to SEPT 2016**

ITEM	QTY.	PART NO.	DESCRIPTION
REF	1	286860-01	PLATFORM ASSEMBLY, 96" WIDE VEHICLE, ALUMINUM, 30" DEEP
		286860-02	PLATFORM ASSEMBLY, 96" WIDE VEHICLE, ALUMINUM, 36" DEEP
		286860-03	PLATFORM ASSEMBLY, 96" WIDE VEHICLE, ALUMINUM, 42" DEEP
		286860-11	PLATFORM ASSEMBLY, 102" WIDE VEHICLE, ALUMINUM, 30" DEEP
		286860-12	PLATFORM ASSEMBLY, 102" WIDE VEHICLE, ALUMINUM, 36" DEEP
		286860-13	PLATFORM ASSEMBLY, 102" WIDE VEHICLE, ALUMINUM, 42" DEEP
		286860-21	PLATFORM ASSEMBLY, 96" WIDE VEHICLE, ALUMINUM, MAXGRIP KNURLED SURFACE, 30" DEEP
		286860-22	PLATFORM ASSEMBLY, 96" WIDE VEHICLE, ALUMINUM, MAXGRIP KNURLED SURFACE, 36" DEEP
		286860-23	PLATFORM ASSEMBLY, 96" WIDE VEHICLE, ALUMINUM, MAXGRIP KNURLED SURFACE, 42" DEEP
		286860-41	PLATFORM ASSEMBLY, 102" WIDE VEHICLE, ALUMINUM, MAXGRIP KNURLED SURFACE, 30" DEEP
		286860-42	PLATFORM ASSEMBLY, 102" WIDE VEHICLE, ALUMINUM, MAXGRIP KNURLED SURFACE, 36" DEEP
		286860-43	PLATFORM ASSEMBLY, 102" WIDE VEHICLE, ALUMINUM, MAXGRIP KNURLED SURFACE, 42" DEEP
1	1	286865-01	P/F WLDMT AL, 80X30
		286865-02	P/F WLDMT AL, 80X36
		286865-03	P/F WLDMT AL, 80X42
		286865-11	P/F WLDMT AL, 85X30
		286865-12	P/F WLDMT AL, 85X36
		286865-13	P/F WLDMT AL, 85X42
		286865-21	P/F WLDMT AL, 80X30, KNRL
		286865-22	P/F WLDMT AL, 80X36, KNRL
		286865-23	P/F WLDMT AL, 80X42, KNRL
		286865-41	P/F WLDMT AL, 85X30, KNRL
		286865-42	P/F WLDMT AL, 85X36, KNRL
		286865-43	P/F WLDMT AL, 85X42, KNRL
2	1	901023-04	LOCK NUT, FLANGE, 5/8"-11
3	1	900055-08	HEX HEAD SCREW, 5/8"-11 X 3" LG.
4	2	900055-04	HEX HEAD SCREW, 5/8"-11 X 2" LG.
5	4	900061-5	FLAT HEAD SOCKET SCREW, 3/8"-16 X 1-1/4" LG.
6	2	903435-09	LOCK WASHER, 5/8"
7	3	900035-6	HEX HEAD CAP SCREW, 1/2"-13 X 2-1/4" LG.
8	2	908007-05	FLANGED BEARING, 1-1/4" SHAFT X 1-1/2" LG.
9	1	286855-01	C-BAR WELDMENT, 96" WIDE VEHICLE
		286855-02	C-BAR WELDMENT, 102" WIDE VEHICLE VEHICLE
10	2	253516	RUBBER BUMPER, 2" X 1"
11	1	900056-2	HEX HEAD CAP SCREW, 3/4"-16 X 1-1/4" LG.
12	1	902011-9	LOCK WASHER, 3/4" X 3/16" THICK
13	1	902000-20	FLAT WASHER, 3/4" X 3/32" THICK
14	4	040066	LOCK NUT, 1/2"-13
15	3	902013-13	FLAT WASHER, 1/2"
16	1	030331	JAM NUT, 5/8"-11
17	1	900055-02	HEX HEAD SCREW, 5/8"-11 X 1-1/2" LG.
18	1	902011-8	LOCK WASHER, 5/8" X 3/16" THICK
19	1	900036-11	SOCKET HEAD SCREW, 1/2"-13 X 2-1/2" LG.
20	2	900014-5	HEX HEAD SCREW, 3/8"-16 X 1-1/4" LG.
21	2	902000-10	FLAT WASHER, 3/8"
22	6	903134-01	NYLON LOCK NUT, 3/4"-16
23	4	902001-2	FLAT WASHER, 3/8" X 1/16" THICK
24	2	030329	NUT, 5/8"-11

FLIPOVER ASSEMBLY WITH ALUMINUM RETENTION RAMP (ALUMINUM)

LAST UPDATED
OCT 2014 to SEPT 2016



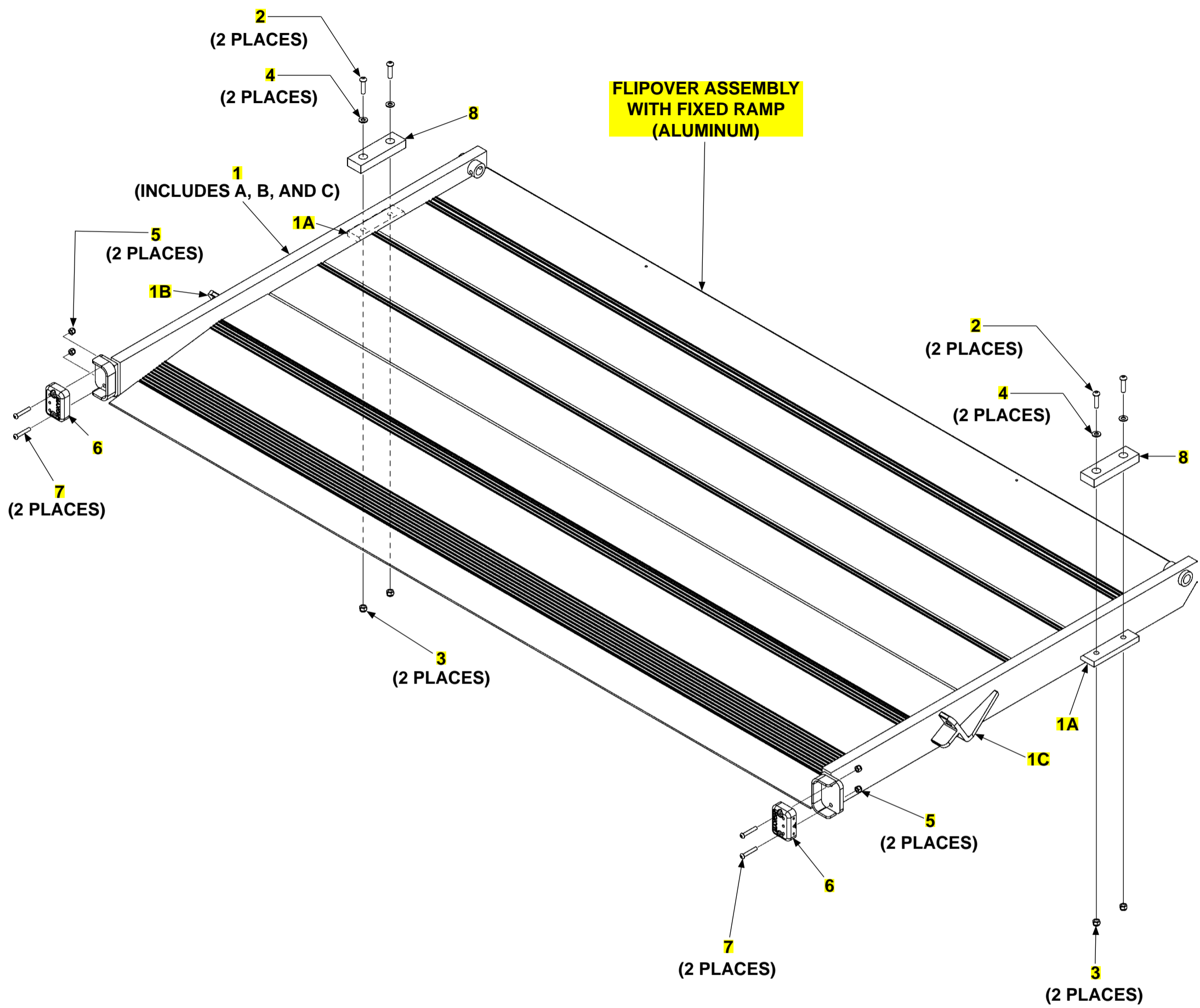
FLIPOVER ASSEMBLY WITH ALUMINUM RETENTION RAMP (ALUMINUM)

**LAST UPDATED
OCT 2014 to SEPT 2016**

ITEM	QTY.	PART NO.	DESCRIPTION
REF	1	286870-01	FLIPOVER ASSEMBLY, 96" WIDE VEHICLE, ALUMINUM, 30" DEEP
		286870-02	FLIPOVER ASSEMBLY, 96" WIDE VEHICLE, ALUMINUM, 36" DEEP
		286870-03	FLIPOVER ASSEMBLY, 96" WIDE VEHICLE, ALUMINUM, 42" DEEP
		286870-04	FLIPOVER ASSEMBLY, 102" WIDE VEHICLE, ALUMINUM, 30" DEEP
		286870-05	FLIPOVER ASSEMBLY, 102" WIDE VEHICLE, ALUMINUM, 36" DEEP
		286870-06	FLIPOVER ASSEMBLY, 102" WIDE VEHICLE, ALUMINUM, 42" DEEP
		286870-11MG	FLIPOVER ASSEMBLY, 96" WIDE VEHICLE, ALUMINUM, MAXGRIP KNURLED SURFACE, 30" DEEP
		286870-12MG	FLIPOVER ASSEMBLY, 96" WIDE VEHICLE, ALUMINUM, MAXGRIP KNURLED SURFACE, 36" DEEP
		286870-13MG	FLIPOVER ASSEMBLY, 96" WIDE VEHICLE, ALUMINUM, MAXGRIP KNURLED SURFACE, 42" DEEP
		286870-14MG	FLIPOVER ASSEMBLY, 102" WIDE VEHICLE, ALUMINUM, MAXGRIP KNURLED SURFACE, 30" DEEP
		286870-15MG	FLIPOVER ASSEMBLY, 102" WIDE VEHICLE, ALUMINUM, MAXGRIP KNURLED SURFACE, 36" DEEP
		286870-16MG	FLIPOVER ASSEMBLY, 102" WIDE VEHICLE, ALUMINUM, MAXGRIP KNURLED SURFACE, 42" DEEP
1	1	286875-01	F/O WLDMT AL, 80X30
		286875-02	F/O WLDMT AL, 80X36
		286875-03	F/O WLDMT AL, 80X42
		286875-04	F/O WLDMT AL, 85X30
		286875-05	F/O WLDMT AL, 85X36
		286875-06	F/O WLDMT AL, 85X42
		286875-11MG	F/O WLDMT AL, 80X30MG
		286875-12MG	F/O WLDMT AL, 80X36MG
		286875-13MG	F/O WLDMT AL, 80X42MG
		286875-14MG	F/O WLDMT AL, 85X30,MG
		286875-15MG	F/O WLDMT AL, 85X36MG
		286875-16MG	F/O WLDMT AL, 85X42MG
1A	2	287591-01	FLAT, AL, BUMPER HOLDER
1B	1	287587-01	BRACKET,U-BOLT HOLDER,LH F/O
1C	1	287587-02	BRACKET,U-BOLT HOLDER,RH F/O
2	4	900001-4	BUTTON SCREW, 5/16"-18 X 1-1/4" LG.
3	4	903106-10	LOCK NUT, 5/16"-18
4	4	902013-10	FLAT WASHER, 5/16"
5	4	903137-01	NYLON LOCK NUT, 1/4"-20
6	4	900719-09	BUTTON SCREW, 1/4"-20 X 1-1/2" LG.
7	2	907150-01	FLASHING SAFETY LIGHT
8	2	225278-02	RUBBER BUMPER, 3/4" X 1-1/2" X 5" LG.

FLIPOVER ASSEMBLY WITH FIXED RAMP (ALUMINUM)

LAST UPDATED
OCT 2014 to SEPT 2016



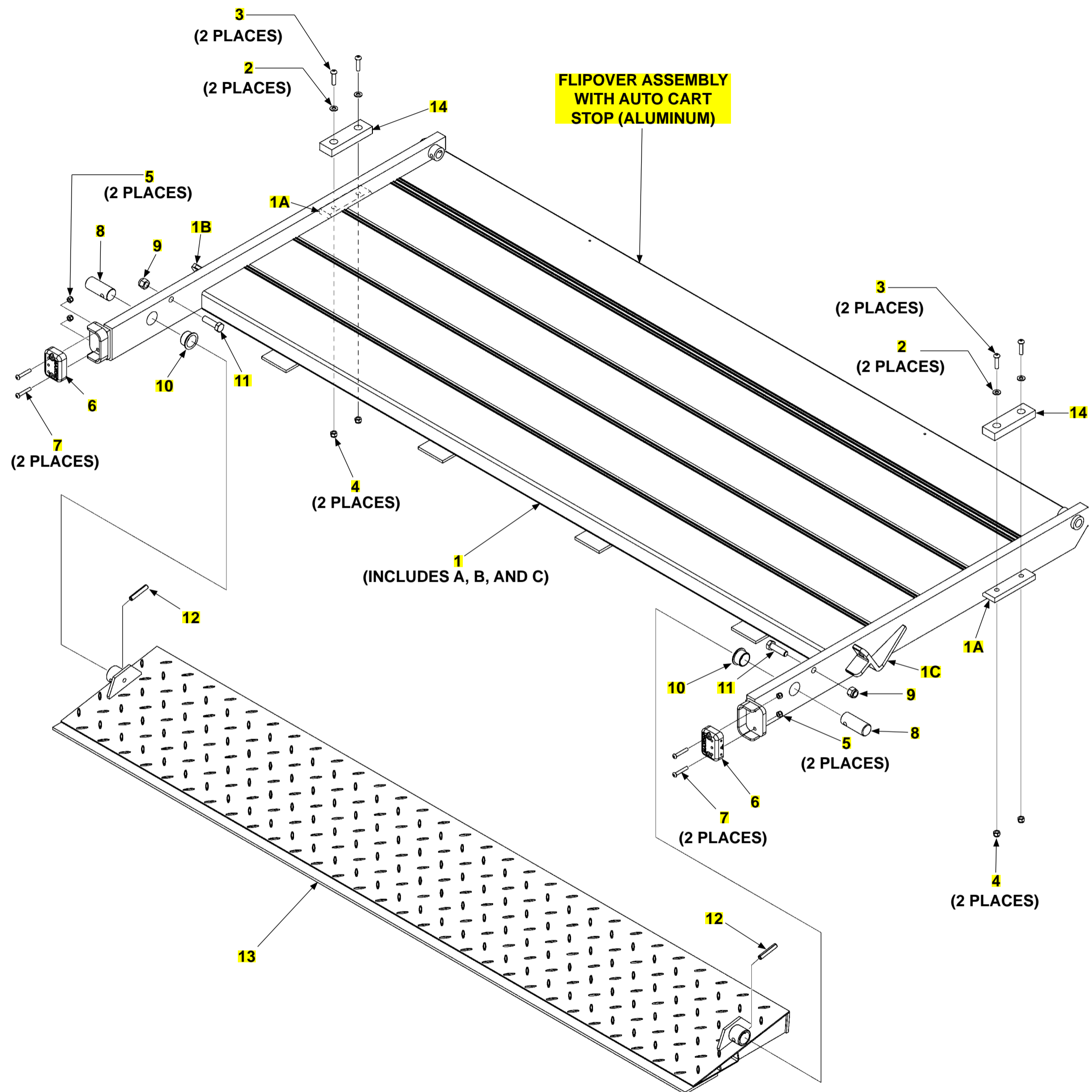
FLIPOVER ASSEMBLY WITH FIXED RAMP (ALUMINUM)

**LAST UPDATED
OCT 2014 to SEPT 2016**

ITEM	QTY.	PART NO.	DESCRIPTION
REF	1	288263-01	FLIPOVER, 96" WIDE VEHICLE, ALUMINUM, 36" DEEP
		288263-03	FLIPOVER, 96" WIDE VEHICLE, ALUMINUM, 42" DEEP
		288263-02	FLIPOVER, 102" WIDE VEHICLE, ALUMINUM, 36" DEEP
		288263-04	FLIPOVER, 102" WIDE VEHICLE, ALUMINUM, 42" DEEP
		288263-11	FLIPOVER, 96" WIDE VEHICLE, ALUMINUM, MAXGRIP KNURLED SURFACE, 36" DEEP
		288263-13	FLIPOVER, 96" WIDE VEHICLE, ALUMINUM, MAXGRIP KNURLED SURFACE, 42" DEEP
		288263-12	FLIPOVER, 102" WIDE VEHICLE, ALUMINUM, MAXGRIP KNURLED SURFACE, 36" DEEP
		288263-14	FLIPOVER, 102" WIDE VEHICLE, ALUMINUM, MAXGRIP KNURLED SURFACE, 42" DEEP
1	1	288262-01	F/O WLDMT, BMRB AL 24+12 X 80
		288262-02	F/O WLDMT, BMRB AL 24+12 X 85
		288262-03	F/O WLDMT, BMRB AL 30+12 X 80
		288262-04	F/O WLDMT, BMRB AL 30+12 X 85
		288262-11	F/O WLDMT, BMRB AL 24+12 X 80MG
		288262-12	F/O WLDMT, BMRB AL 24+12 X 85MG
		288262-13	F/O WLDMT, BMRB AL 30+12 X 80MG
		288262-14	F/O WLDMT, BMRB AL 30+12 X 85MG
1A	2	287591-01	FLAT, AL, BUMPER HOLDER
1B	1	287587-01	BRACKET,U-BOLT HOLDER,LH F/O
1C	1	287587-02	BRACKET,U-BOLT HOLDER,RH F/O
2	4	900001-4	BUTTON SCREW, 5/16"-18 X 1-1/4" LG.
3	4	901001	NYLON LOCK NUT, 5/16"-18
4	4	902013-10	FLAT WASHER, 5/16"
5	4	901000	NYLON LOCK NUT, 1/4"-20
6	2	907150-01	FLASHING SAFETY LIGHT
7	4	900719-09	BUTTON SCREW, 1/4"-20 X 1-1/2"
8	2	225278-02	BUMPER

FLIPOVER ASSEMBLY WITH AUTO CART STOP (ALUMINUM)

LAST UPDATED
OCT 2014 to SEPT 2016



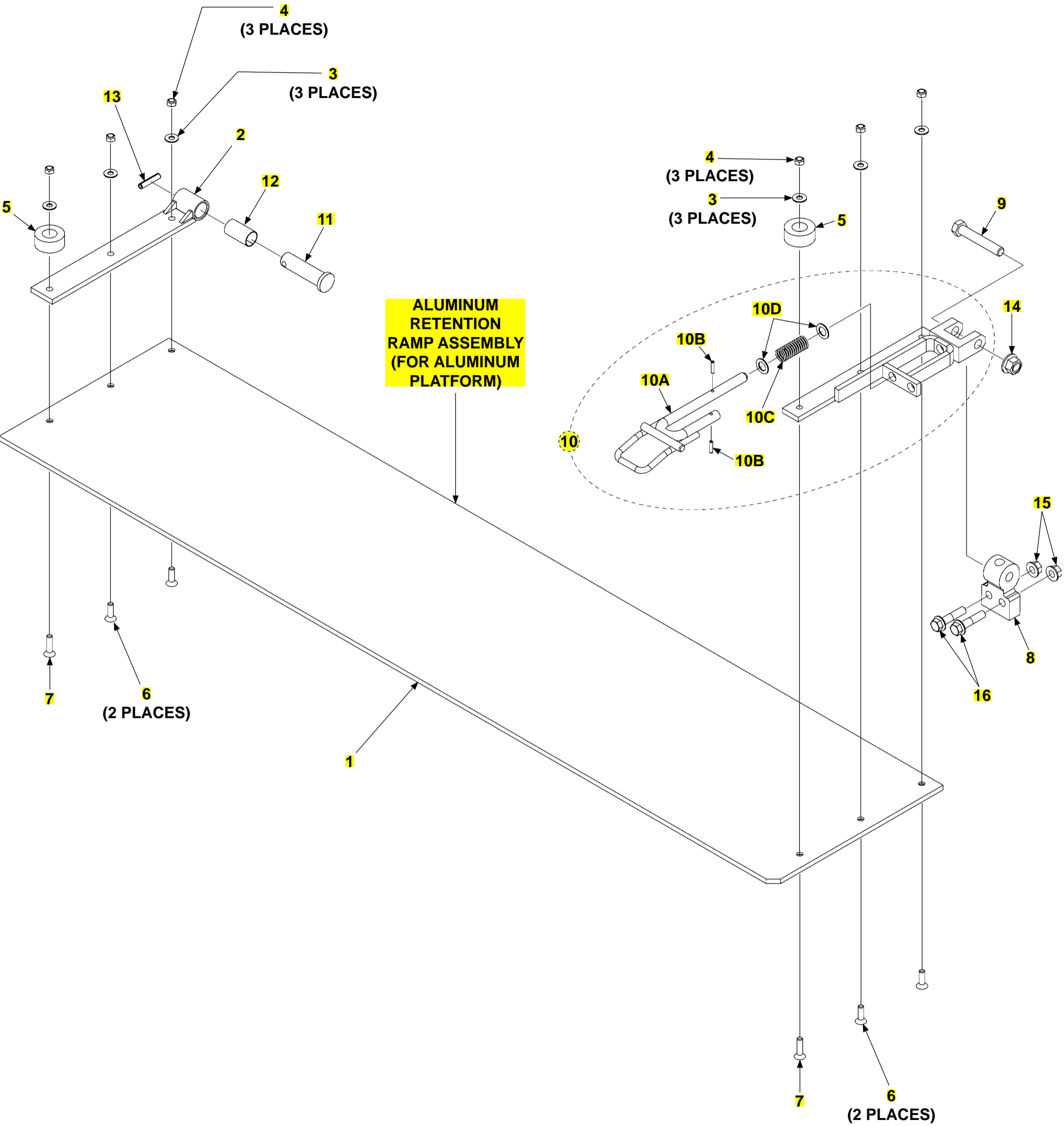
FLIPOVER ASSEMBLY WITH AUTO CART STOP (ALUMINUM)

**LAST UPDATED
OCT 2014 to SEPT 2016**

ITEM	QTY.	PART NO.	DESCRIPTION
REF	1	288759-01	FLIPOVER ASSEMBLY, 96" WIDE VEHICLE, 30" FLIPOVER
		288759-02	FLIPOVER ASSEMBLY, 102" WIDE VEHICLE, 30" FLIPOVER
		288759-11	FLIPOVER ASSEMBLY, 96" WIDE VEHICLE, 30" FLIPOVER, MAXGRIP KNURLED SURFACE
		288759-12	FLIPOVER ASSEMBLY, 102" WIDE VEHICLE, 30" FLIPOVER, MAX-GRIP KNURLED SURFACE
1	1	288758-01	F/O WLDMT,BMRB 30X80 AL,12"CS
		288758-02	F/O WLDMT,BMRB 30X85 AL,12"CS
		288758-11	F/O WLDMT,BMRB 30X80 AL,12"CS-MG
		288758-12	F/O WLDMT,BMRB 30X85 AL,12"CS-MG
1A	2	287591-01	FLAT, AL, BUMPER HOLDER
1B	1	287587-01	BRACKET,U-BOLT HOLDER,LH F/O
1C	1	287587-02	BRACKET,U-BOLT HOLDER,RH F/O
2	4	902013-10	FLAT WASHER, 5/16"
3	4	900001-4	BUTTON HEAD SCREW, 5/16"-18 X 1-1/4" LG.
4	4	903106-10	NYLON LOCK NUT, 5/16"-18
5	4	903137-01	NYLON LOCK NUT, 1/4"-20
6	2	907150-01	FLASHING SAFETY LIGHT
7	4	900719-09	BUTTON SCREW, 1/4"-20 X 1-1/2"
8	2	281369-01	CART STOP PIN, 1-1/8" DIA. X 2-11/16" LG.
9	2	900734-07	HEX HEAD SCREW,1/2"-13 X 1-3/4" LG.
10	2	261837-11	BUSHING, FLANGE, 1-1/8" I.D. X 3/4" LG.
11	2	903117-01	NYLON LOCK NUT, 1/2"-13
12	2	904717-06	ROLL PIN, 3/8" X 2" LG.
13	1	288758-01	FLIPOVER WELDMENT, 80" X 30"
		288758-02	FLIPOVER WELDMENT, 85" X 30"
		288758-11	FLIPOVER WELDMENT, 80" X 30" , MAXGRIP KNURLED SURFACE
		288758-12	FLIPOVER WELDMENT, 85" X 30" , MAXGRIP KNURLED SURFACE
14	2	225278-02	BUMPER, 3/4" x 1-1/2" x 5"

ALUMINUM RETENTION RAMP ASSEMBLY (FOR ALUMINUM PLATFORM)

LAST UPDATED
OCT 2014 to SEPT 2016



ALUMINUM RETENTION RAMP ASSEMBLY (FOR ALUMINUM PLATFORM)

**LAST UPDATED
OCT 2014 to SEPT 2016**

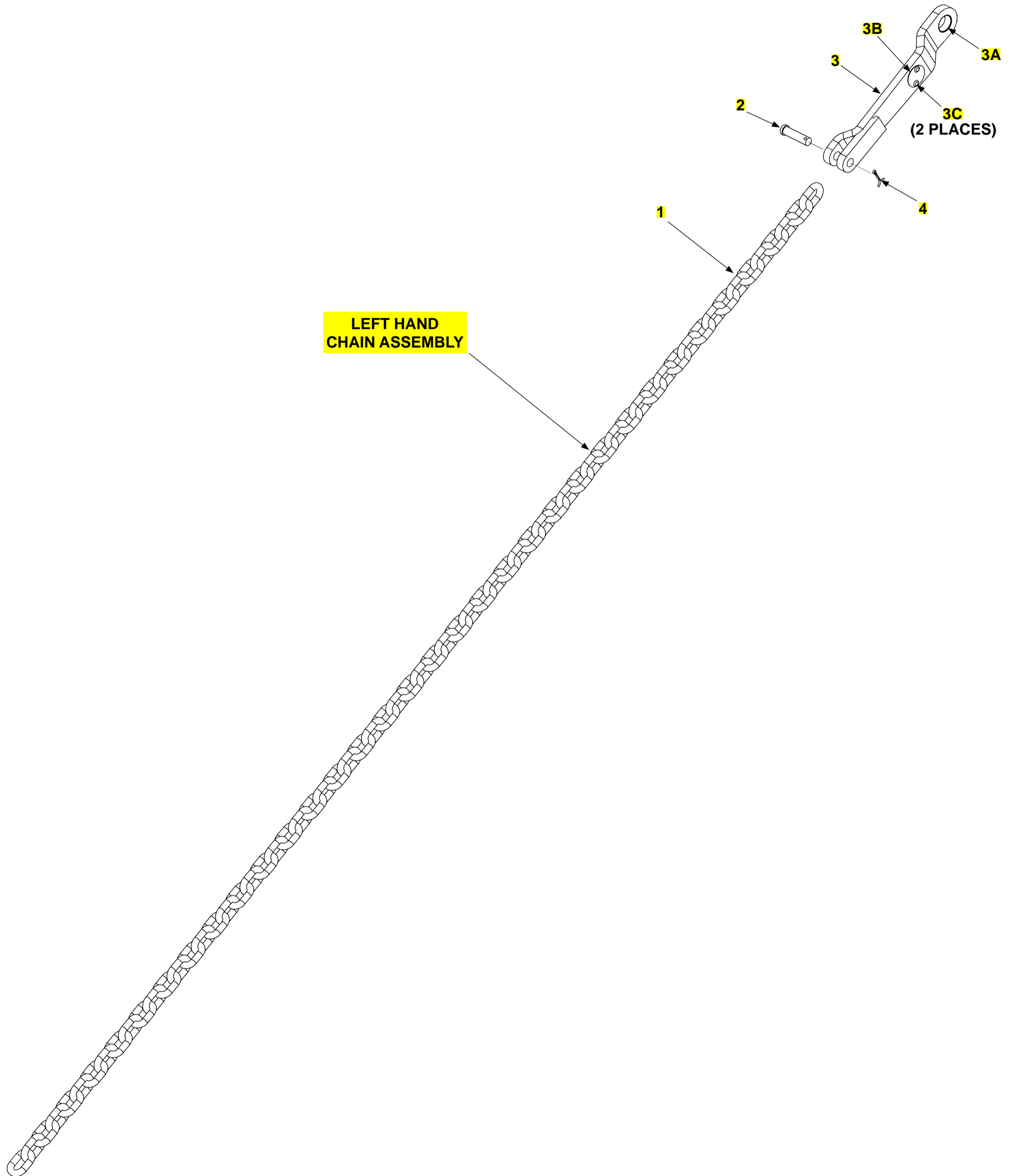
ITEM	QTY.	PART NO.	DESCRIPTION
REF	1	286834-80	ALUMINUM RETENTION RAMP ASSEMBLY, 16" (96" WIDE VEH)
		286834-85	ALUMINUM RETENTION RAMP ASSEMBLY, 16" (102" WIDE VEH)
1	1	287529-01	ALUMINUM RAMP 16" (96" WIDE VEH)
		287529-02	ALUMINUM RAMP 16" (102" WIDE VEH)
2	1	253526-01	HINGE ARM WELDMENT, LH (GALVANIZED)
3	6	902001-2	FLAT WASHER, 3/8"
4	6	030955	NYLON LOCK NUT, 3/8"-16
5	2	253516	RUBBER BUMPER
6	4	900040-5	SCREW, FLAT SOCKET HEAD, 3/8"-16" X 1-1/4" LG.
7	2	900040-6	SCREW, FLAT SOCKET HEAD, 3/8"-16 X 1-1/2" LG.
8	1	287530-02	HINGE CASTING, BLACK
9	1	900055-11	HEX HEAD SCREW, 5/8"-11 X 3-3/4" LG.
10	1	287528-01	ARM ASSEMBLY, RH
10A	1	287575-01	PIN LOCKING WELDMENT
10B	2	904719-08	ROLL PIN, 3/16" O.D. X 7/8" LG.
10C	1	908209-01	COMPRESSION SPRING
10D	2	903434-13	WASHER, FLAT, M16, SS
11	1	253528	PIN
12	1	253541	BEARING, SELF LUBE, 1" DIA. X 2" LG.
13	1	904717-05	ROLL PIN, 3/8" X 1-3/4" LG.
14	1	901023-04	LOCK NUT, FLANGE, 5/8"-11
15	2	901023	LOCK NUT, FLANGE, 1/2"-13
16	2	901024-3	HEX FRAME BOLT, 1/2"-13 X 2-1/4" LG.

LEFT HAND CHAIN ASSEMBLY

LAST UPDATED
OCT 2014 to SEPT 2016

⚠ CAUTION

MAXON recommends replacing Left Hand & Right Hand platform support chains as a set. Possible harm to users or bystanders and/or equipment damage could result if chains are only replaced one at a time.



LEFT HAND CHAIN ASSEMBLY**LAST UPDATED
OCT 2014 to SEPT 2016**

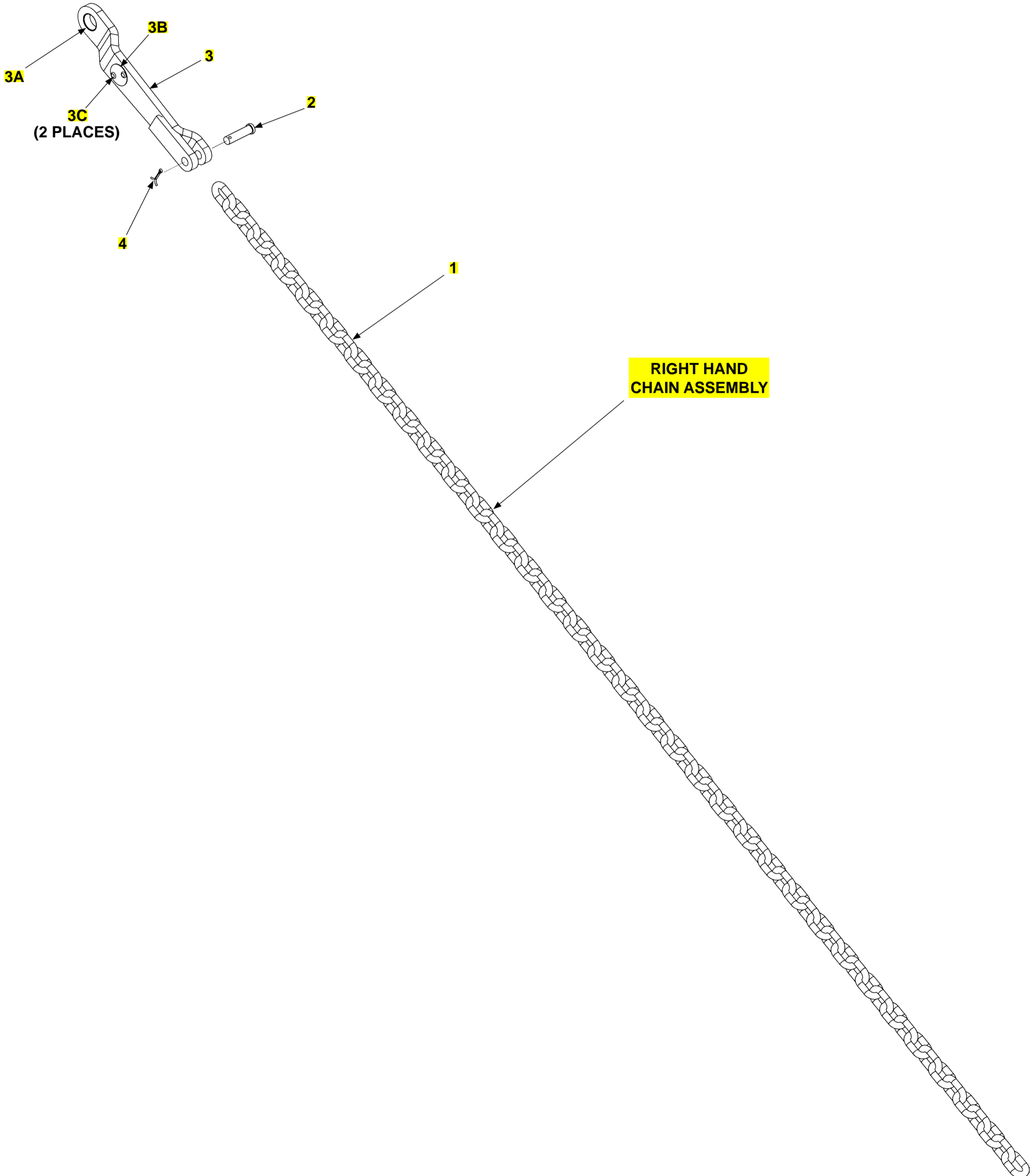
ITEM	QTY.	PART NO.	DESCRIPTION
REF	1	282867-05	CHAIN ASSEMBLY LH, 30"+ 30" OR 36" + 24" PLATFORM*
		282867-01	CHAIN ASSEMBLY LH, 36"+ 36" PLATFORM*
		282867-09	CHAIN ASSEMBLY LH, 42"+ 42" PLATFORM*
1	1	282866-03	CHAIN, 3/8" X 63-1/4" LG, GALVANIZED
		282866-01	CHAIN, 3/8" X 72-11/16" LG, GALVANIZED
		282866-05	CHAIN, 3/8" X 78-1/2" LG, GALVANIZED
2	1	905136-01	CLEVIS PIN, 1/2" X 1-7/8" LG.
3	1	280505-01	TEAR DROP ASSEMBLY, LH
3A	1	260078	BEARING, SELF-LUBE
3B	1	260009	KEEP HANDS CLEAR (PLATE) (SEE DECAL SEC)
3C	2	207644-03	POP RIVET, 3/16" X .40" LG.
4	1	030805	COTTER PIN, 1/8" X 1" LG.

RIGHT HAND CHAIN ASSEMBLY

LAST UPDATED
OCT 2014 to SEPT 2016

⚠ CAUTION

MAXON recommends replacing Left Hand & Right Hand platform support chains as a set. Possible harm to users or bystanders and/or equipment damage could result if chains are only replaced one at a time.

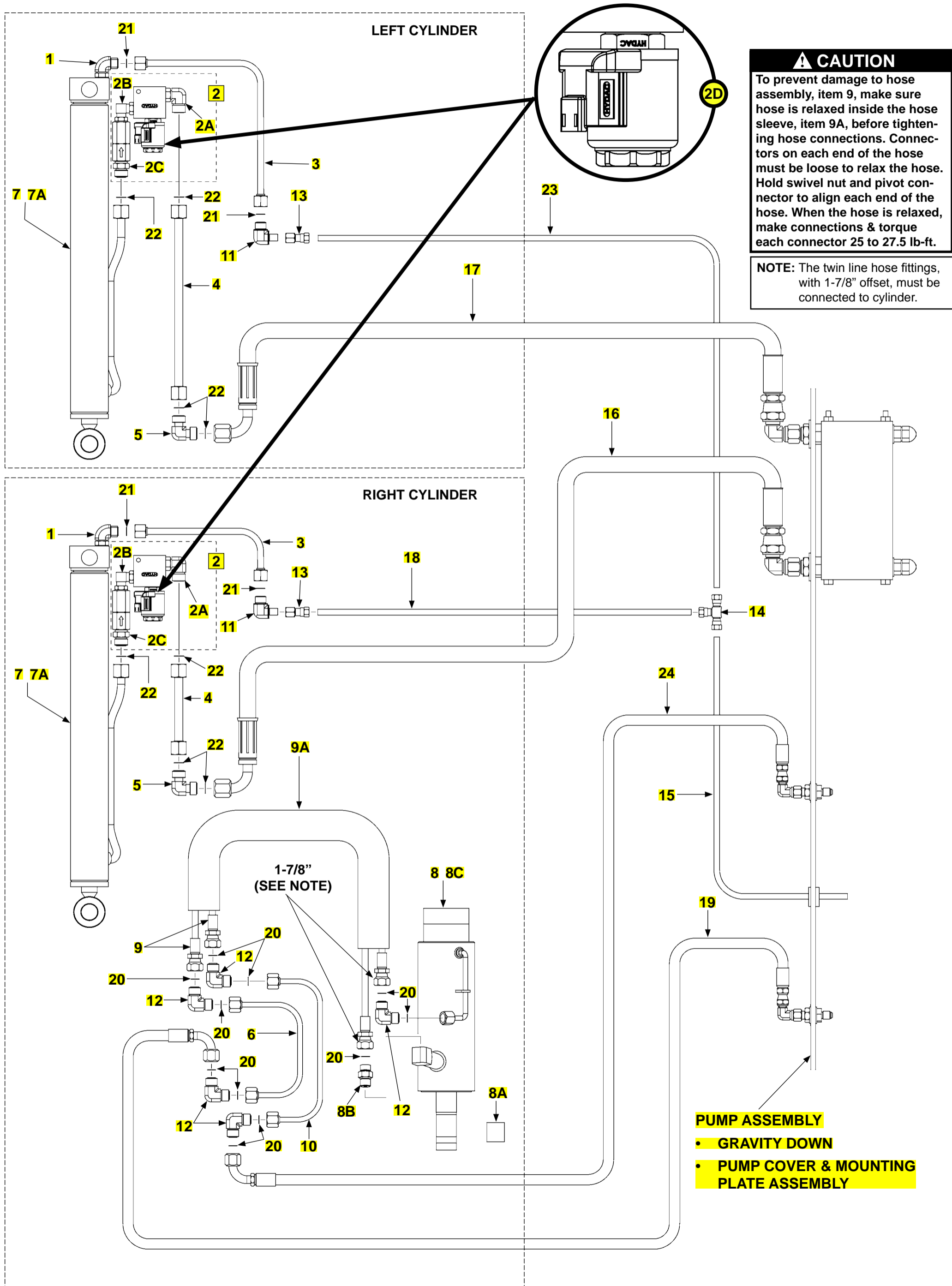


RIGHT HAND CHAIN ASSEMBLY**LAST UPDATED
OCT 2014 to SEPT 2016**

ITEM	QTY.	PART NO.	DESCRIPTION
REF	1	282867-06	CHAIN ASSEMBLY RH, 30"+ 30" OR 36" + 24" PLATFORM*
		282867-02	CHAIN ASSEMBLY RH, 36"+ 36" PLATFORM*
		282867-10	CHAIN ASSEMBLY RH, 42"+ 42" PLATFORM*
1	1	282866-03	CHAIN, 3/8" X 63-1/4" LG, GALVANIZED
		282866-01	CHAIN, 3/8" X 72-11/16" LG, GALVANIZED
		282866-05	CHAIN, 3/8" X 78-1/2" LG, GALVANIZED
2	1	905136-01	CLEVIS PIN, 1/2" X 1-7/8" LG.
3	1	280505-02	TEAR DROP ASSEMBLY, RH
3A	1	260078	BEARING, SELF-LUBE
3B	1	260009	KEEP HANDS CLEAR (PLATE) (SEE DECAL SEC)
3C	2	207644-03	POP RIVET, 3/16" X .40" LG.
4	1	030805	COTTER PIN, 1/8" X 1" LG.

HYDRAULIC SYSTEMS - GRAVITY DOWN

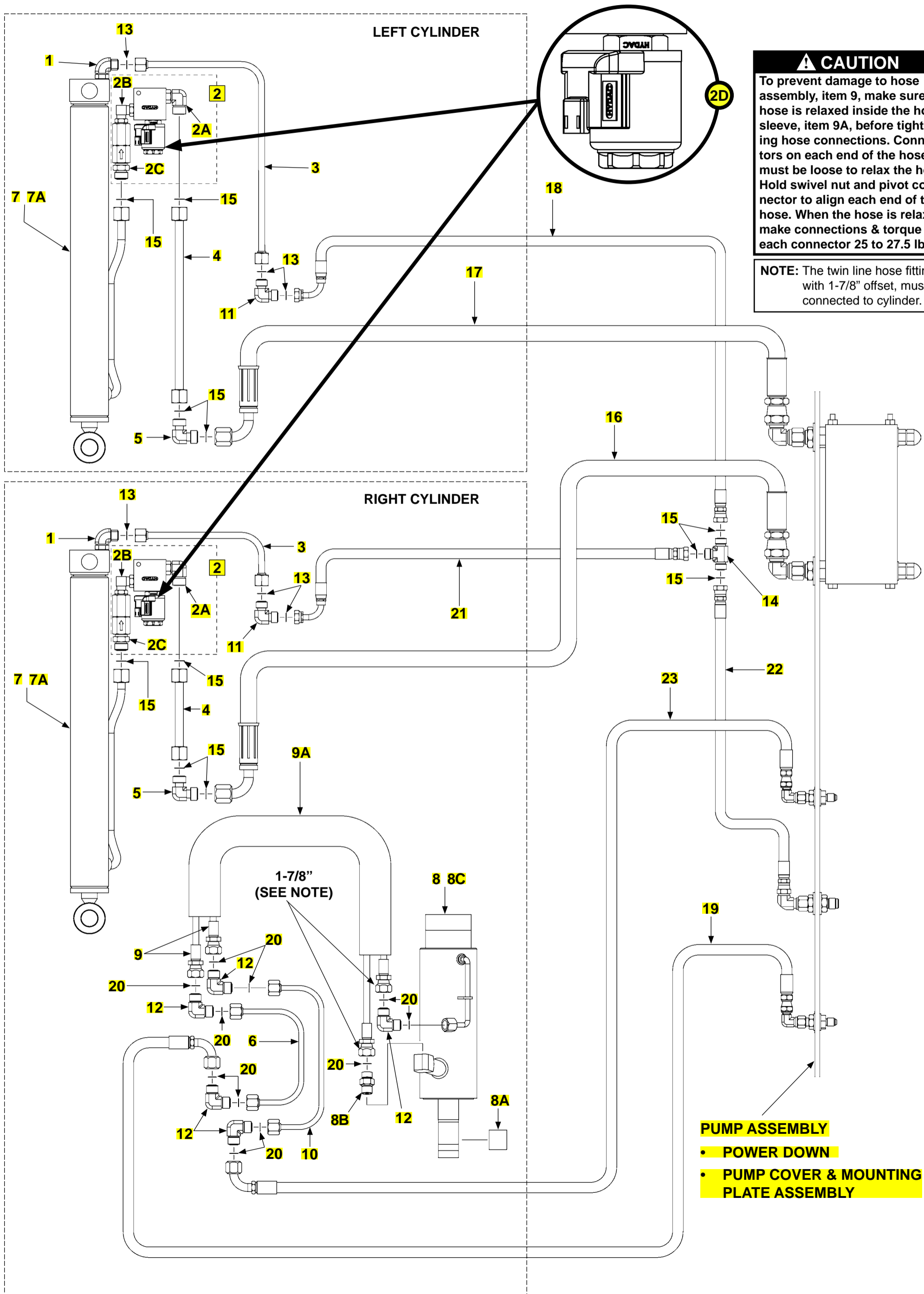
LAST UPDATED
OCT 2014 to SEPT 2016



HYDRAULIC SYSTEMS - GRAVITY DOWN

LAST UPDATED
OCT 2014 to SEPT 2016

ITEM	QTY.	PART NO.	DESCRIPTION
REF	1	287670-12	BMR PUMP ASSEMBLY, 12 VDC, GRAVITY DOWN
1	2	906707-01	ELBOW, FACE SEAL, #6 M-M
2	2	288520-12	HYDRAULIC LOCK VALVE, 12 VDC
2A	2	905158	ELBOW STRAIGHT, FACE SEAL #8, O-RING, #6 M-M
2B	2	906722-01	ELBOW 90°, O-RING, #6 M-M
2C	2	288518-01	VALVE ASSEMBLY, PRESSURE COMPENSATED, 3 GPM
2D	2	282999-01	HYDRAULIC LOCK VALVE ASSEMBLY
3	2	286283-01	FACE SEAL TUBE ASSEMBLY, RETURN LINE
4	2	286282-01	FACE SEAL TUBE ASSEMBLY, LIFT LINE
5	2	906830-01	ELBOW 90°, FACE SEAL, #8 M-M
6	1	286296-01	TUBE ASSEMBLY, FACE SEAL, 1/4"
7	2	286335-01	CYLINDER, 1-3/4" BORE X 53-1/8" STROKE (BMR-35/44)
		286335-02	CYLINDER, 2" BORE, 53-1/8" STROKE (BMR-55/66)
7A	REF	280663SK-01	SEAL KIT (COMBINATION, BMR-35/44)
		280663SK-02	SEAL KIT (COMBINATION, BMRSD-55/-66)
8	1	286281-01	CYLINDER ASSEMBLY, 2-3/4" BORE, 5-1/4" STROKE
8A	1	253657	BEARING, SELF LUBE DIA. 1" I.D. X 1" LG.
8B	1	905179	CONNECTOR, FACE SEAL #4, O-RING, #6 M-M
8C	1	290060	SEAL KIT (CYLINDER)
9	1	286232-01	TWIN HOSE AND CABLE ASSEMBLY
9A	1	908219-10	HOSE SLEEVE, 1" X 37-1/2" LG.
10	1	286298-01	TUBE ASSEMBLY, FACE SEAL, 1/4"
11	2	905157	ELBOW, 3/8" FACE SEAL, 1/4" NPTF, M-M
12	5	906792-01	UNION, ELBOW, FACE SEAL #4M-#4M 90 DEG
13	2	905156	AIR BRAKE CONNECTOR
14	1	905155	TEE, UNION AIR BRAKE, 3/8"
15	1	099996-02	TUBING,.375 THERMOPLASTIC 7.0'
		099996-03	TUBING.375 THERMOPLASTIC 16.0'
		099996-10	TUBING,.375 THERMOPLASTIC 22.0
		099996-08	TUBING.375 THERMOPLASTIC 27.0'
		099996-09	TUBING,.375 THERMOPLASTIC 35.0
16	1	280223-01	H/A HP.38F/S#8 90 F-JIC#8F72"
		280223-03	H/A HP.38F/S#8 90 F-JIC#8F196"
		280223-13	H/A HP.38F/S#8 90F-JIC#8F 256"
		280223-05	H/A HP.38F/S#8 90 F-JIC#8F316"
		280223-09	H/A HP.38F/S#8 90F-JIC#8F 412"
17	1	280223-02	H/A HP.38F/S#8 90 F-JIC#8F150"
		280223-04	H/A HP.38F/S#8 90 F-JIC#8F274"
		280223-14	H/A HP.38F/S#8 90F-JIC#8F 334"
		280223-06	H/A HP.38F/S#8 90 F-JIC#8F394"
		280223-10	H/A HP.38F/S#8 90F-JIC#8F 490"
18	1	099996-06	TUBING,.375 THERMOPLASTIC,2.0'
19	1	280232-01	H/A HP1/4F/S#4 90F-JIC#4F 64"
		280232-02	H/A HP1/4F/S#4 90F-JIC#4F 188"
		280232-09	H/A HP.25F/S#4 90F-JIC#4F 248"
		280232-03	H/A HP1/4F/S#4 90F-JIC#4F 308"
		280232-05	H/A HP.25F/S#4 90F-JIC#4F 404"
20	13	906712-01	O-RING, #4 (1/4" FACE SEAL TUBE-END)
21	4	906712-02	O-RING, #6 (3/8" FACE SEAL TUBE-END)
22	8	906712-03	O-RING, #8 (1/2" FACE SEAL TUBE-END)
23	1	099996-05	TUBING,.375 THERMOPLASTIC 9.0'
24	1	280232-01-100	H/A HP1/4F/S#4 90F-JIC#4F 64" W/YEL TAPE
		280232-02-100	H/A HP1/4F/S#4 90F-JIC#4F 188" W/YEL TAPE
		280232-09-100	H/A HP.25F/S#4 90F-JIC#4F 248" W/YEL TAPE
		280232-03-100	H/A HP1/4F/S#4 90F-JIC#4F 308" W/YEL TAPE
		280232-05-100	H/A HP.25F/S#4 90F-JIC#4F 404" W/YEL TAPE



⚠ CAUTION
To prevent damage to hose assembly, item 9, make sure hose is relaxed inside the hose sleeve, item 9A, before tightening hose connections. Connectors on each end of the hose must be loose to relax the hose. Hold swivel nut and pivot connector to align each end of the hose. When the hose is relaxed, make connections & torque each connector 25 to 27.5 lb-ft.

NOTE: The twin line hose fittings, with 1-7/8" offset, must be connected to cylinder.

- PUMP ASSEMBLY**
- POWER DOWN**
- PUMP COVER & MOUNTING PLATE ASSEMBLY**

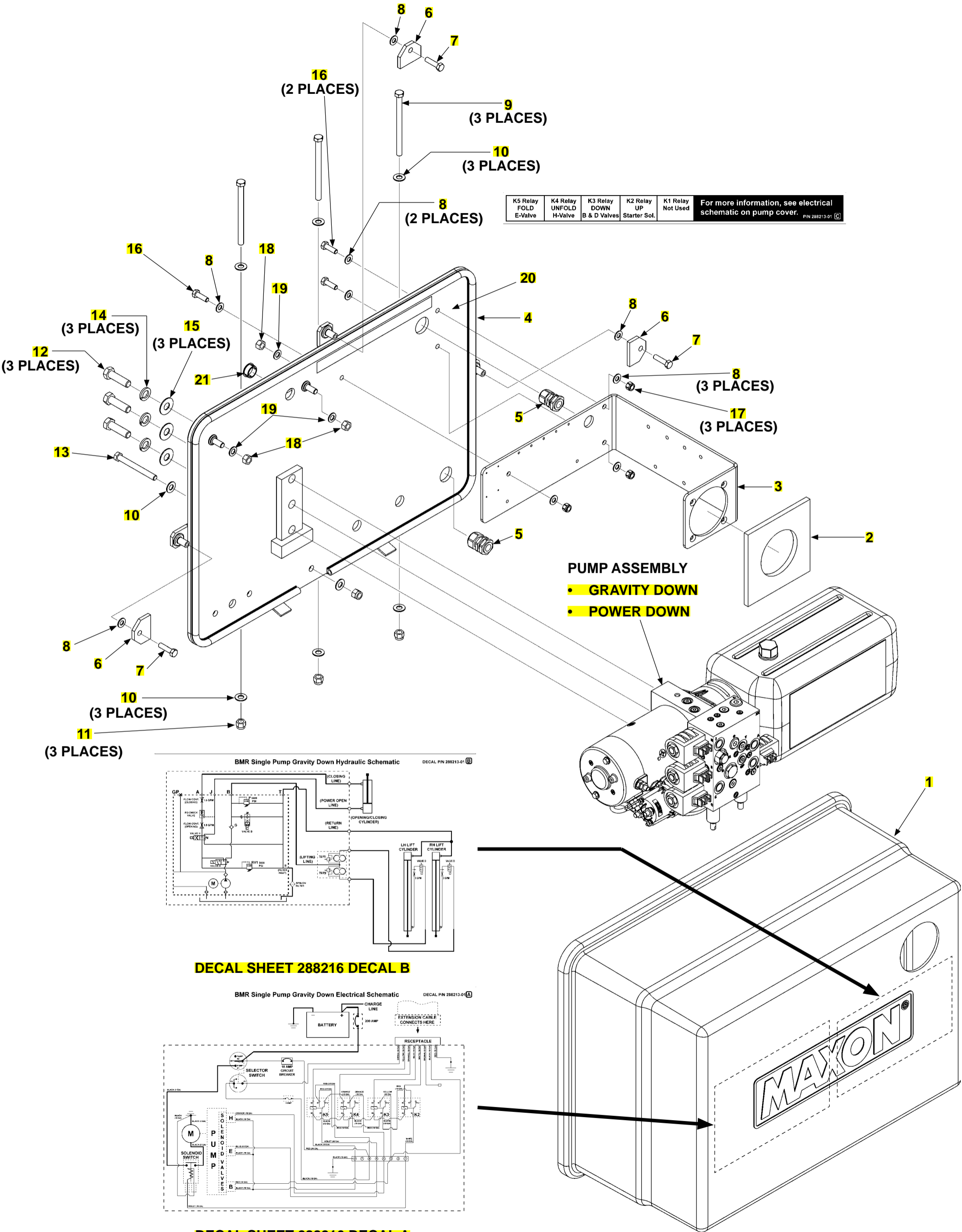
HYDRAULIC SYSTEMS - POWER DOWN

LAST UPDATED
OCT 2014 to SEPT 2016

ITEM	QTY.	PART NO.	DESCRIPTION
REF	1	287660-12	BMR PUMP ASSEMBLY, 12 VDC, POWER DOWN
1	2	906707-01	ELBOW, FACE SEAL, #6 M-M
2	2	288520-12	HYDRAULIC LOCK VALVE, 12 VDC
2A	2	905158	ELBOW STRAIGHT, FACE SEAL #8, O-RING, #6 M-M
2B	2	906722-01	ELBOW 90°, O-RING, #6 M-M
2C	2	288518-01	VALVE ASSEMBLY, PRESSURE COMPENSATED, 3 GPM
2D	2	282999-01	HYDRAULIC LOCK VALVE ASSEMBLY
3	2	286283-01	FACE SEAL TUBE ASSEMBLY, RETURN LINE
4	2	286282-01	FACE SEAL TUBE ASSEMBLY, LIFT LINE
5	2	906830-01	ELBOW 90°, FACE SEAL, #8 M-M
6	1	286296-01	TUBE ASSEMBLY, FACE SEAL, 1/4"
7	2	286335-01	CYLINDER, 1-3/4" BORE X 53-1/8" STROKE (BMR-35/44)
		286335-02	CYLINDER, 2" BORE, 53-1/8" STROKE (BMR-55/66)
7A	REF	280663SK-01	SEAL KIT (COMBINATION, BMR-35/44)
		280663SK-02	SEAL KIT (COMBINATION, BMRSD-55/-66)
8	1	286281-01	CYLINDER ASSEMBLY, 2-3/4" BORE, 5-1/4" STROKE
8A	1	253657	BEARING, SELF LUBE DIA. 1" I.D. X 1" LG.
8B	1	905179	CONNECTOR, FACE SEAL #4, O-RING, #6 M-M
8C	1	290060	SEAL KIT (CYLINDER)
9	1	286232-01	TWIN HOSE AND CABLE ASSEMBLY
9A	1	908219-10	HOSE SLEEVE, 1" X 37-1/2" LG.
10	1	286298-01	TUBE ASSEMBLY, FACE SEAL, 1/4"
11	2	905157	ELBOW, 3/8" FACE SEAL, 1/4" NPTF, M-M
12	5	906792-01	UNION, ELBOW, FACE SEAL #4M-#4M 90 DEG
13	6	906712-02	O-RING, #6 (3/8" FACE SEAL TUBE-END)
14	1	905150	TEE, UNION 3/8 F.S. MALE, 6-JLO
15	11	906712-03	O-RING, #8 (1/2" FACE SEAL TUBE-END)
16	1	280223-01	H/A HP.38F/S#8 90 F-JIC#8F72"
		280223-03	H/A HP.38F/S#8 90 F-JIC#8F196"
		280223-13	H/A HP.38F/S#8 90F-JIC#8F 256"
		280223-05	H/A HP.38F/S#8 90 F-JIC#8F316"
		280223-09	H/A HP.38F/S#8 90F-JIC#8F 412"
17	1	280223-02	H/A HP.38F/S#8 90 F-JIC#8F150"
		280223-04	H/A HP.38F/S#8 90 F-JIC#8F274"
		280223-14	H/A HP.38F/S#8 90F-JIC#8F 334"
		280223-06	H/A HP.38F/S#8 90 F-JIC#8F394"
		280223-10	H/A HP.38F/S#8 90F-JIC#8F 490"
18	1	264294-02	HOSE/A HP1/4F/S690DECF/S6F100
19	1	280232-01	H/A HP1/4F/S#4 90F-JIC#4F 64"
		280232-02	H/A HP1/4F/S#4 90F-JIC#4F 188"
		280232-09	H/A HP.25F/S#4 90F-JIC#4F 248"
		280232-03	H/A HP1/4F/S#4 90F-JIC#4F 308"
		280232-05	H/A HP.25F/S#4 90F-JIC#4F 404"
20	11	906712-01	O-RING, #4 (1/4" FACE SEAL TUBE-END)
21	1	264294-03	H/A HP 1/4, F/S #6F-F/S#6F,24"
22	1	280229-01	H/A HP.25,F/S#6F-JIC #6F,34"
		280229-02	H/A HP.25,F/S#6F-JIC #6F,166"
		280229-06	H/A HP.25,F/S#6F-JIC#6F,226"
		280229-03	H/A HP.25,F/S#6F-JIC #6F,286"
		280229-04	H/A HP.25,F/S#6F-JIC#6F,382"
23	1	280232-01-100	H/A HP1/4F/S#4 90F-JIC#4F 64" W/YEL TAPE
		280232-02-100	H/A HP1/4F/S#4 90F-JIC#4F 188" W/YEL TAPE
		280232-09-100	H/A HP.25F/S#4 90F-JIC#4F 248" W/YEL TAPE
		280232-03-100	H/A HP1/4F/S#4 90F-JIC#4F 308" W/YEL TAPE
		280232-05-100	H/A HP.25F/S#4 90F-JIC#4F 404" W/YEL TAPE

PUMP COVER AND MOUNTING PLATE ASSEMBLY

LAST UPDATED
OCT 2014 to SEPT 2016



PUMP COVER AND MOUNTING PLATE ASSEMBLY

**LAST UPDATED
OCT 2014 to SEPT 2016**

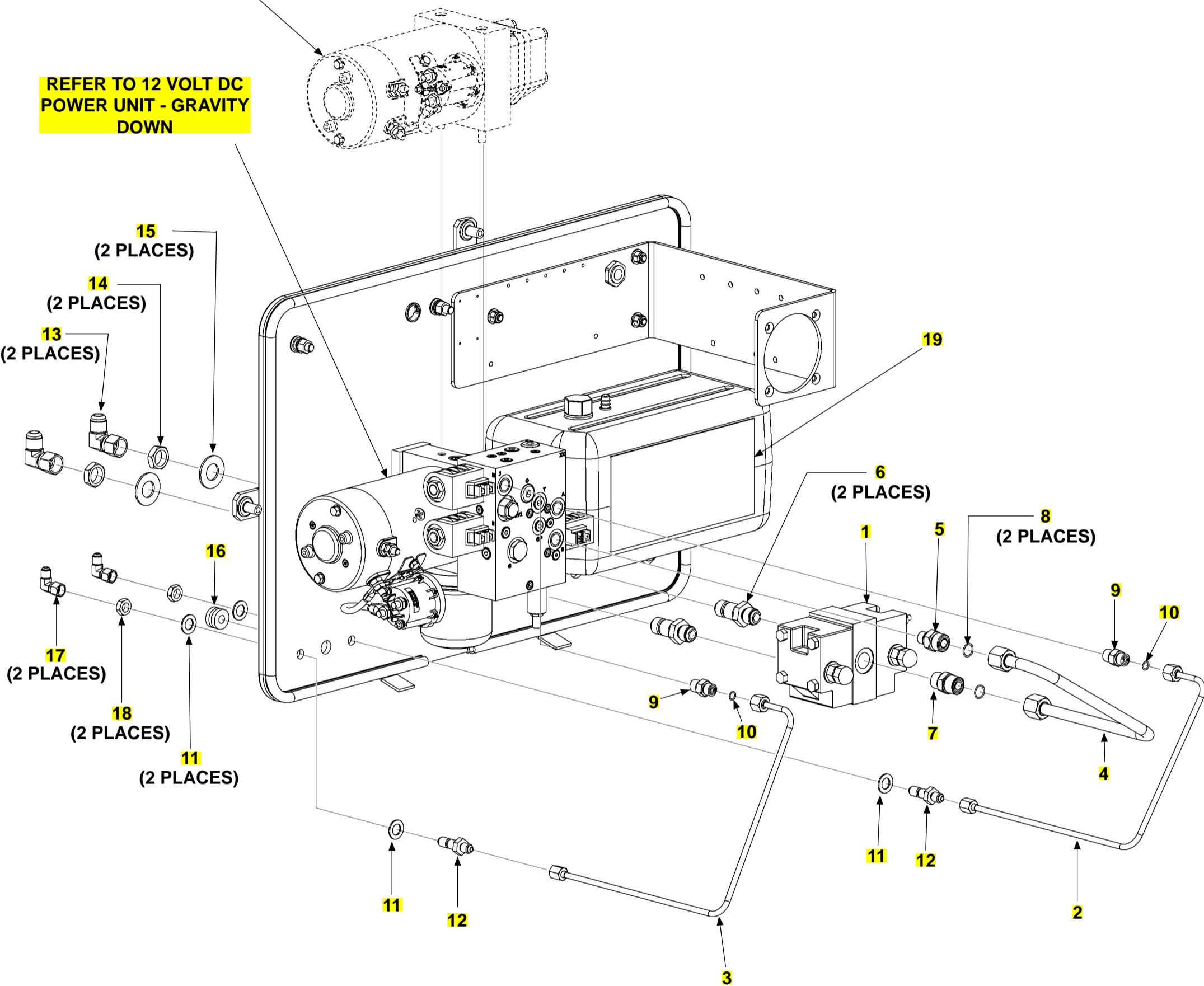
ITEM	QTY.	PART NO.	DESCRIPTION
1	1	269575-02	PUMP COVER
2	1	289701-01	PUMP SWITCH SEAL
3	1	295741-01G	PUMP MOUNTING PLATE
4	7.22 FT	093232	NEOPRENE BULB TRIM SEAL, 1/4"
5	2	268034-03	CORD GRIP, NYLON, 3/4" X 3/8" I.D.
6	3	281062-03	FLAT HOLDER, 1-9/16" LG.
7	3	901602-07	HEX BOLT, 5/16"-18 X 1-1/2" LG.
8	9	903443-07	FLAT WASHER, 5/16"
9	3	900014-16	HEX CAP SCREW, 3/8"-16 X 5" LG, GRADE 8
10	7	902013-11	FLAT WASHER, 3/8"
11	3	901002	NYLON NUT, 3/8"-16
12	3	900035-4	HEX HEAD CAP SCREW, 1/2"-13 X 1-3/4" LG.
13	1	900014-13	HEX HEAD CAP SCREW, 3/8"-16 X 3-1/2" LG, GRADE 8
14	3	903426-12	LOCK WASHER, M14
15	3	903409-05	FENDER WASHER, 9/16" I.D. X 1-1/4" O.D.
16	3	901602-06	HEX HEAD BOLT, 5/16"-18 X 1" LG.
17	3	903106-10	NYLON NUT, 5/16"-18
18	3	901011-5	HEX HEAD NUT, 3/8"-16
19	3	902028-6	FLAT WASHER, 11/16" O.D. X 3/8" I.D.
20	1	295741-01G	PUMP MOUNTING PLATE
21	1	908081-04	NYLON PLUG, 7/8"
	1	288213-05	DECAL SHEET,BMRB GRAVITY DOWN
		288213-06	DECAL SHEET,BMRB POWER DOWN

PUMP ASSEMBLY - GRAVITY DOWN

LAST UPDATED
OCT 2014 to SEPT 2016

REFER TO 12 VOLT DC
SECONDARY POWER
UNIT (OPTIONAL)

REFER TO 12 VOLT DC
POWER UNIT - GRAVITY
DOWN



PUMP ASSEMBLY - GRAVITY DOWN**LAST UPDATED
OCT 2014 to SEPT 2016**

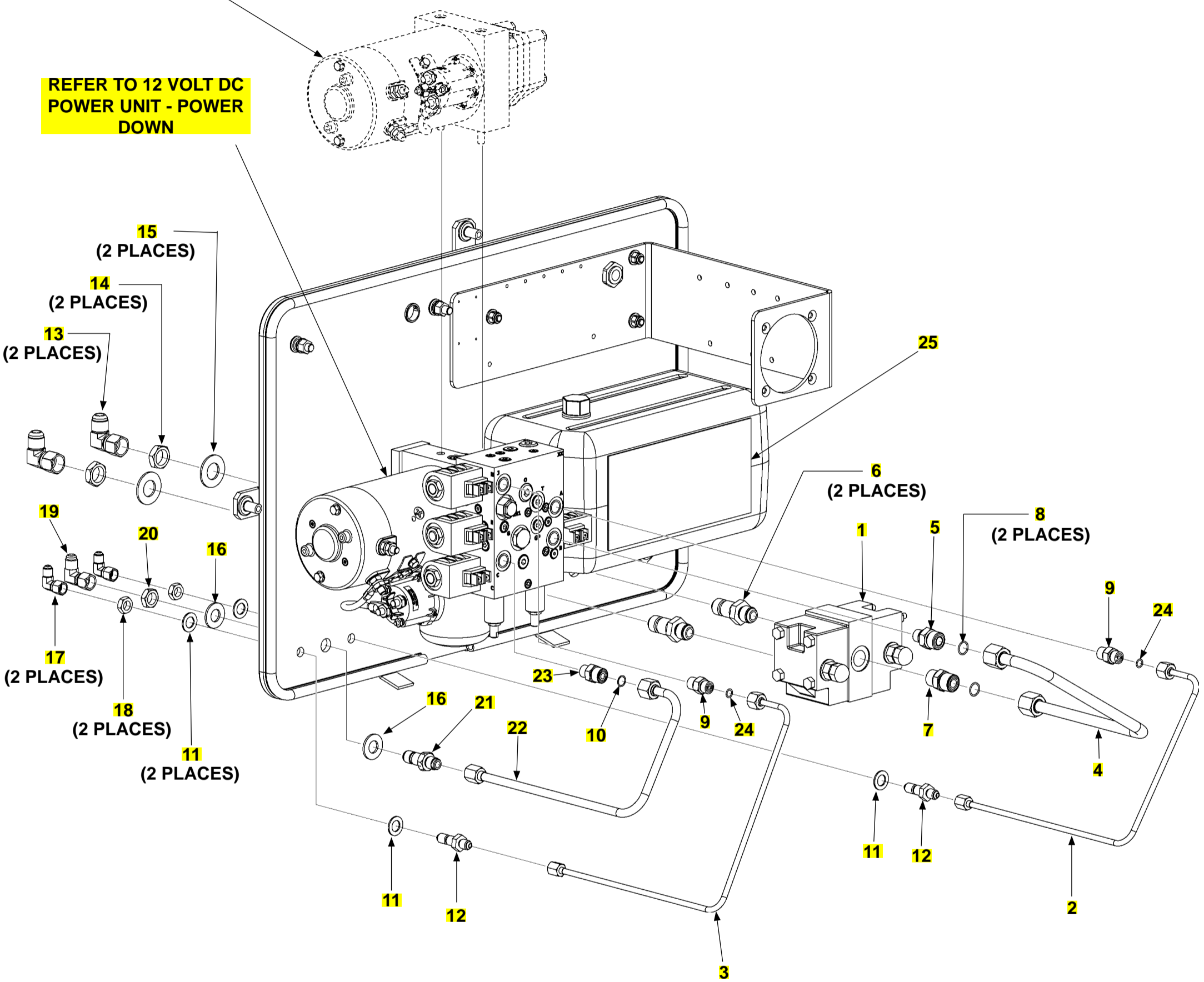
ITEM	QTY.	PART NO.	DESCRIPTION
1	1	253513	FLOW DIVIDER
2	1	287665-01	FACE SEAL TUBE ASSEMBLY, 1/4"
3	1	287664-01	FACE SEAL TUBE ASSEMBLY, 1/4"
4	1	287667-01	FACE SEAL TUBE ASSEMBLY, 1/2"
5	1	906762-01	CONNECTOR, #8 FACE SEAL, #6 O-RING, M-M
6	2	261461	BULKHEAD UNION, 37°, TWIN FLARE
7	1	905173-02	CONNECTOR, ORIFICE FACE SEAL, #8
8	2	906712-03	O-RING, #8, 1/2" FACE SEAL, TUBE END
9	2	905179	CONNECTOR, #4 FACE SEAL, #6 O-RING, M-M
10	2	906712-01	O-RING, #4 (1/4" FACE SEAL TUBE-END)
11	4	905085	FLAT WASHER, 1/2" X 1/8"
12	2	905096	BULKHEAD UNION FITTING, M, #4
13	2	260120	ELBOW, 90°, #8M - #8F
14	2	261462	BULKHEAD NUT, 37°, TWIN FLARE
15	2	902000-20	FLAT WASHER, 3/4" X 3/32" THICK
16	1	263981	GROMMET, 3/8" X 5/8"-
17	2	905027	ELBOW, 37°, NUT, #4
18	2	905085	BULKHEAD NUT, #4
19	1	282927-01	DECAL, BMRB OIL LEVEL

PUMP ASSEMBLY - POWER DOWN

LAST UPDATED
OCT 2014 to SEPT 2016

REFER TO 12 VOLT DC
SECONDARY POWER
UNIT (OPTIONAL)

REFER TO 12 VOLT DC
POWER UNIT - POWER
DOWN

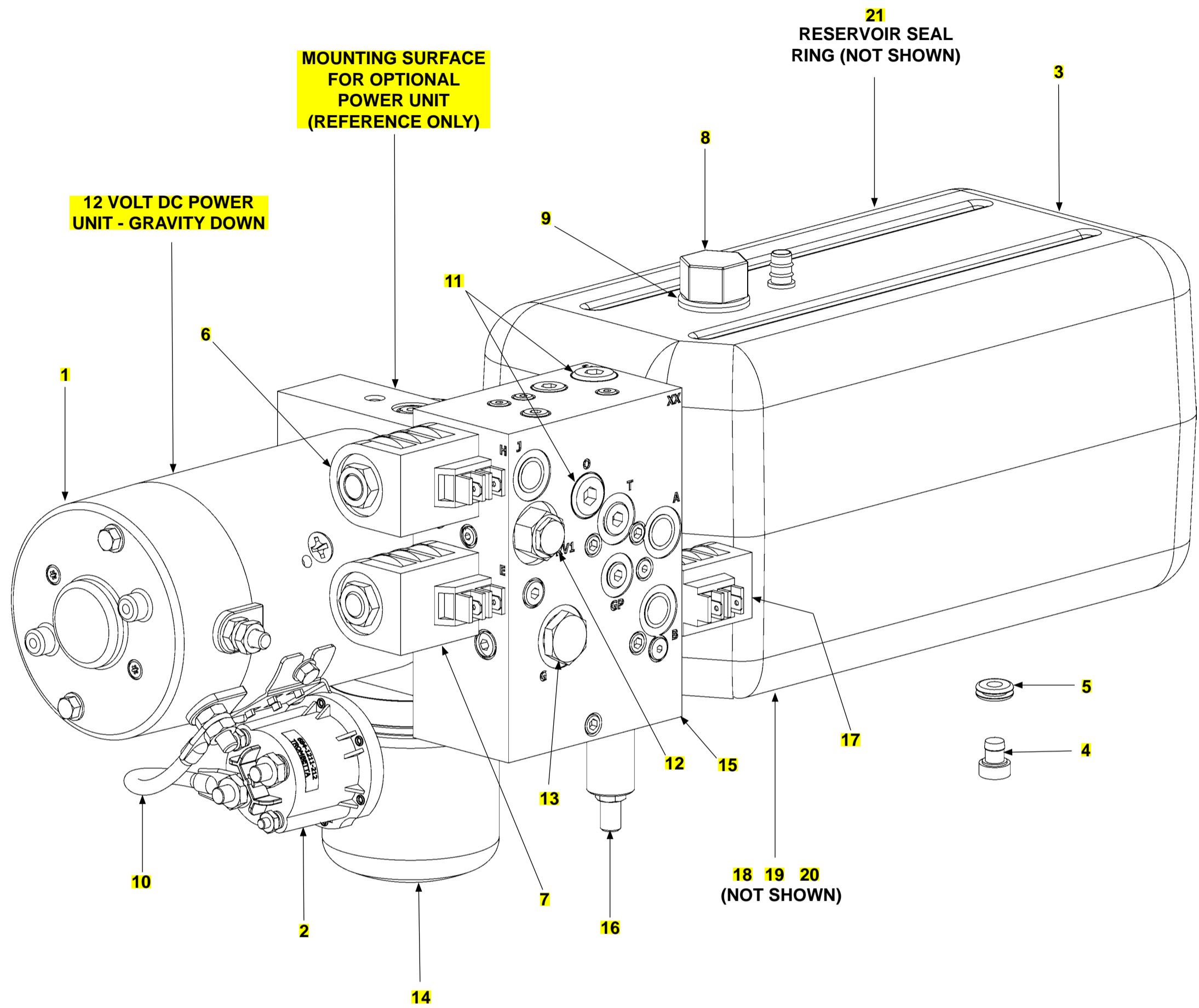


PUMP ASSEMBLY - POWER DOWN**LAST UPDATED
OCT 2014 to SEPT 2016**

ITEM	QTY.	PART NO.	DESCRIPTION
1	1	253513	FLOW DIVIDER
2	1	287665-01	FACE SEAL TUBE ASSEMBLY, 1/4"
3	1	287664-01	FACE SEAL TUBE ASSEMBLY, 1/4"
4	1	287667-01	FACE SEAL TUBE ASSEMBLY, 1/2"
5	1	906762-01	CONNECTOR, #8 FACE SEAL, #6 O-RING, M-M
6	2	261461	BULKHEAD UNION, 37°, TWIN FLARE
7	1	905173-02	CONNECTOR, ORIFICE FACE SEAL, #8
8	2	906712-03	O-RING, #8, 1/2" FACE SEAL, TUBE END
9	2	905179	CONNECTOR, #4 FACE SEAL, #6 O-RING, M-M
10	1	906712-02	O-RING, #6, 3/8" FACE SEAL, TUBE END
11	4	905085	FLAT WASHER, 1/2" X 1/8"
12	2	905096	BULKHEAD UNION FITTING, M, #4
13	2	260120	ELBOW, 90°, #8M - #8F
14	2	261462	BULKHEAD NUT, 37°, TWIN FLARE
15	2	902000-20	FLAT WASHER, 3/4"
16	2	902013-14	FLAT WASHER, 9/16"
17	2	905027	ELBOW, 37°, NUT, #4
18	2	905085	BULKHEAD NUT, #4
19	1	905154	ELBOW, 90°, #6M - #6F
20	1	905086	BULKHEAD NUT, #6
21	1	905100	BULKHEAD UNION FITTING, M, #6
22	1	287666-01	FACE SEAL TUBE ASSEMBLY, 3/8"
23	1	905173	CONNECTOR, ORIFICE FACE SEAL, #6
24	2	906712-01	O-RING, #4 (1/4" FACE SEAL TUBE-END)
25	1	282927-01	DECAL, BMRB OIL LEVEL

12 VOLT DC POWER UNIT - GRAVITY DOWN

LAST UPDATED
OCT 2014 to SEPT 2016

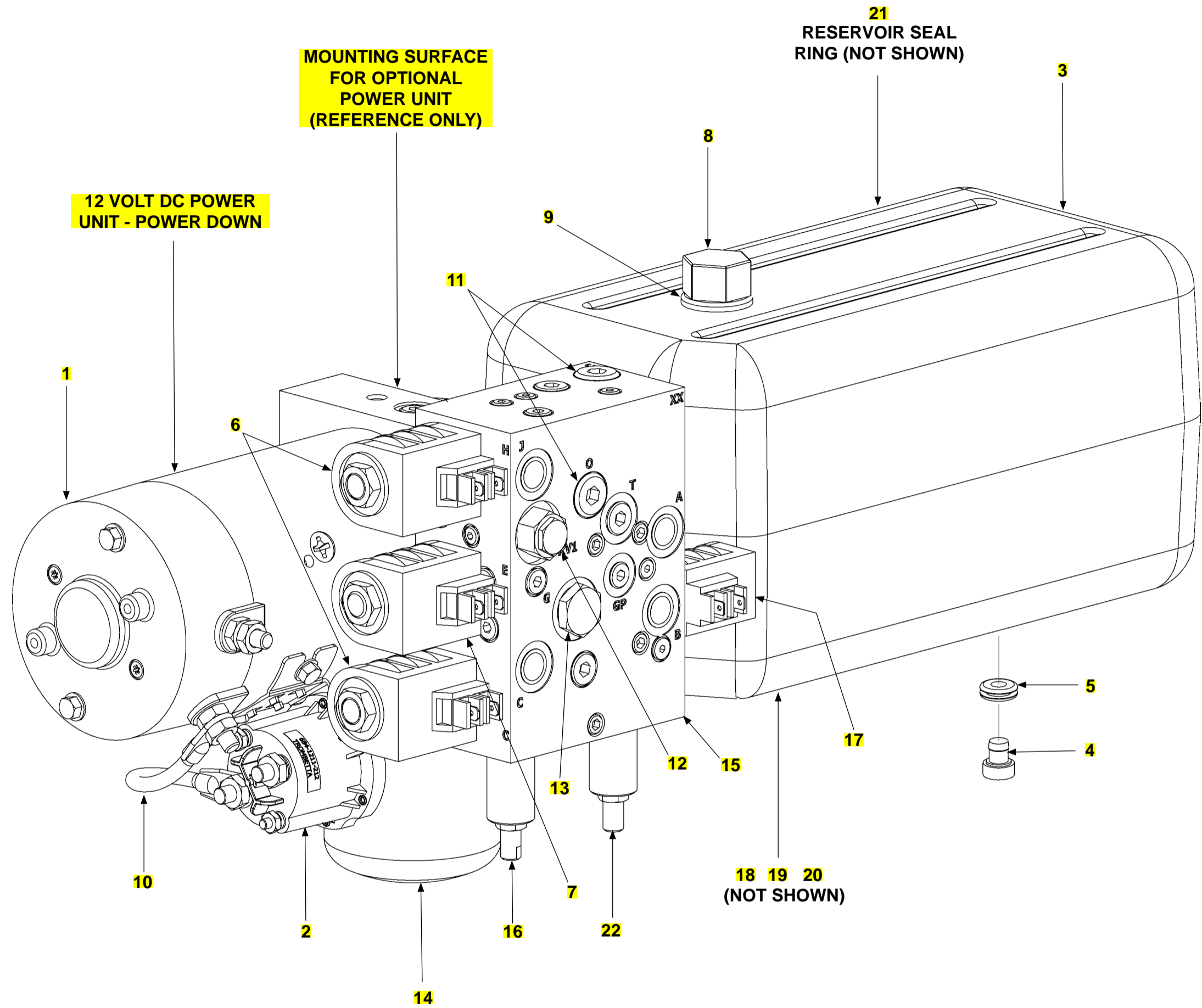


12 VOLT DC POWER UNIT - GRAVITY DOWN**LAST UPDATED
OCT 2014 to SEPT 2016**

ITEM	QTY.	PART NO.	DESCRIPTION
REF	1	296030-12	12 VDC POWER UNIT 203.1, BMRB GD
1	1	269582-01	MOTOR, 12 VDC, HEAVY DUTY, 2-TERMINAL
2	1	284080-01	STARTER SOLENOID, STANDARD DUTY
3	1	269583-01	RESERVOIR, 2 GALLON, HORIZONTAL, SIDE MOUNT
4	1	908017-01	DRAIN PLUG
5	1	908018-01	RUBBER GROMMET
6	1	290046	VALVE AND COIL ASSEMBLY "H", 12 VDC, 2-POLE, 4-WAY, DOUBLE SPADE
7	1	290019	VALVE AND COIL ASSEMBLY "E", 12 VDC, 2-POLE, 3-WAY, DOUBLE SPADE
8	1	280806-01	BREATHER
9	1	908016-01	RUBBER GROMMET
10	1	280404	BATTERY CABLE
11	2	906929-01	FLOW CONTROL VALVE, 1-1/2 GPM
12	1	906930-01	RELIEF VALVE, RV1, 2400 PSI
13	1	290033	CHECK VALVE "G"
14	1	262412	OIL FILTER, SPIN ON, 25 MICRON
15	1	296027-12	MANIFOLD ASSEMBLY, SEVERE DUTY
16	1	905195	ADJUSTABLE RELIEF VALVE, 2000-3500 PSI
17	1	290043	VALVE AND COIL ASSEMBLY "B", 12 VDC, 2-POLE, 2-WAY, DOUBLE SPADE
18	1	288985-01	PUMP ASSEMBLY, 204, CAST IRON (NOT SHOWN)
19	1	260261	OIL SEAL, PUMP (NOT SHOWN)
20	1	290020	O-RING, PUMP (NOT SHOWN)
21	1	290061	SEAL RING, RESERVOIR (NOT SHOWN)

12 VOLT DC POWER UNIT - POWER DOWN

LAST UPDATED
OCT 2014 to SEPT 2016



12 VOLT DC POWER UNIT - POWER DOWN

**LAST UPDATED
OCT 2014 to SEPT 2016**

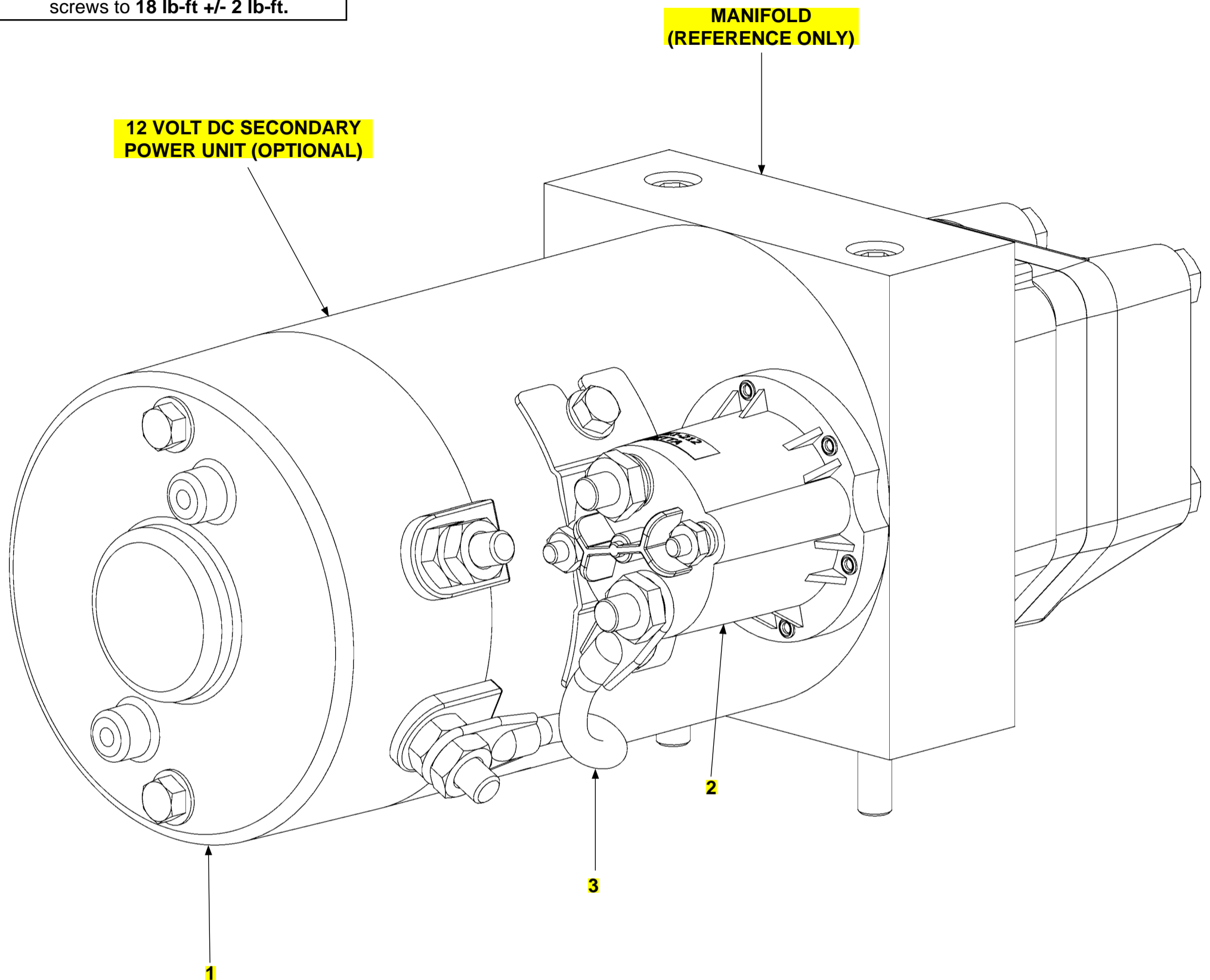
ITEM	QTY.	PART NO.	DESCRIPTION
REF	1	296020-12	12 VDC POWER UNIT 203.1 BMRB PD
1	1	269582-01	MOTOR, 12 VDC, HEAVY DUTY, 2-TERMINAL
2	1	284080-01	STARTER SOLENOID, STANDARD DUTY
3	1	269583-01	RESERVOIR, 2 GALLON, HORIZONTAL, SIDE MOUNT
4	1	908017-01	DRAIN PLUG
5	1	908018-01	RUBBER GROMMET
6	1	290046	VALVE AND COIL ASSEMBLY "H", 12 VDC, 2-POLE, 4-WAY, DOUBLE SPADE
7	2	290019	VALVE AND COIL ASSEMBLY "E", 12 VDC, 2-POLE, 3-WAY, DOUBLE SPADE
8	1	280806-01	BREATHER
9	1	908016-01	RUBBER GROMMET
10	1	280404	BATTERY CABLE
11	2	906929-01	FLOW CONTROL VALVE, 1-1/2 GPM
12	1	906930-01	RELIEF VALVE, RV1, 2400 PSI
13	1	290033	CHECK VALVE "G"
14	1	262412	OIL FILTER, SPIN ON, 25 MICRON
15	1	296023-12	MANIFOLD ASSEMBLY, SEVERE DUTY
16	1	290035	RELIEF VALVE, "J", 400 PSI
17	1	290043	VALVE AND COIL ASSEMBLY "B", 12 VDC, 2-POLE, 2-WAY, DOUBLE SPADE
18	1	288985-01	PUMP ASSEMBLY, 204, CAST IRON (NOT SHOWN)
19	1	260261	OIL SEAL, PUMP (NOT SHOWN)
20	1	290020	O-RING, PUMP (NOT SHOWN)
21	1	290061	SEAL RING, RESERVOIR (NOT SHOWN)
22	1	905195	ADJUSTABLE RELIEF VALVE, "P" 2000-3500 PSI

12 VOLT DC SECONDARY POWER UNIT (OPTIONAL)

**LAST UPDATED
OCT 2014 to SEPT 2016**

NOTE: Secondary power unit is the same for gravity down or power down pumps.

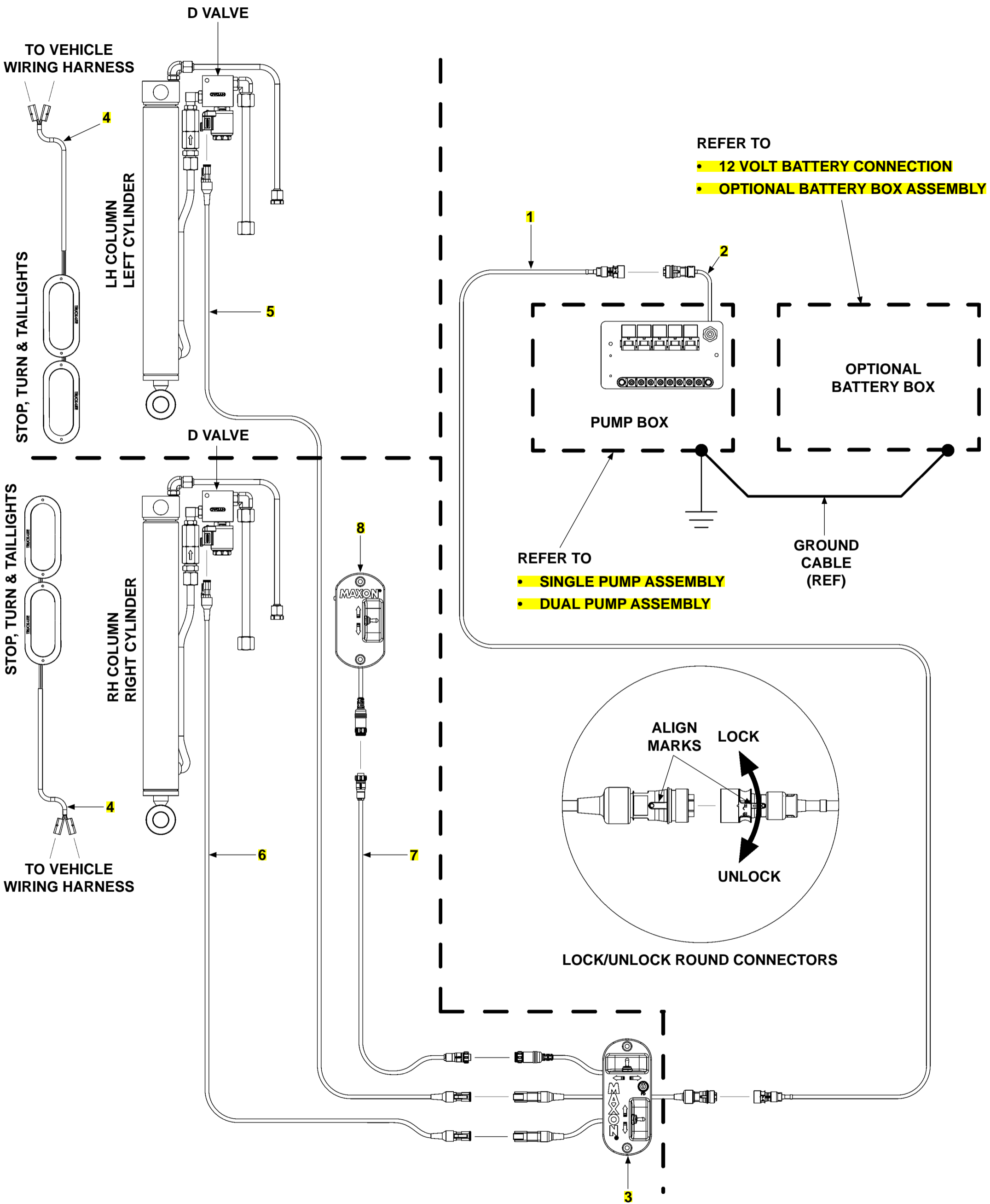
NOTE: Two 5/16" hex socket head screws fasten the secondary power unit to the pump assembly. Torque the 2 screws to **18 lb-ft +/- 2 lb-ft.**



ITEM	QTY.	PART NO.	DESCRIPTION
REF	1	287675-01	2ND PUMP ASSEMBLY KIT, 12 V
1	1	269565-01	POWER UNIT, 12 VDC, 204 (NO BLOCK)
2	1	284080-01	STARTER SOLENOID, STANDARD DUTY
3	1	280404	BATTERY CABLE

ELECTRICAL SYSTEMS

LAST UPDATED
OCT 2014 to SEPT 2016

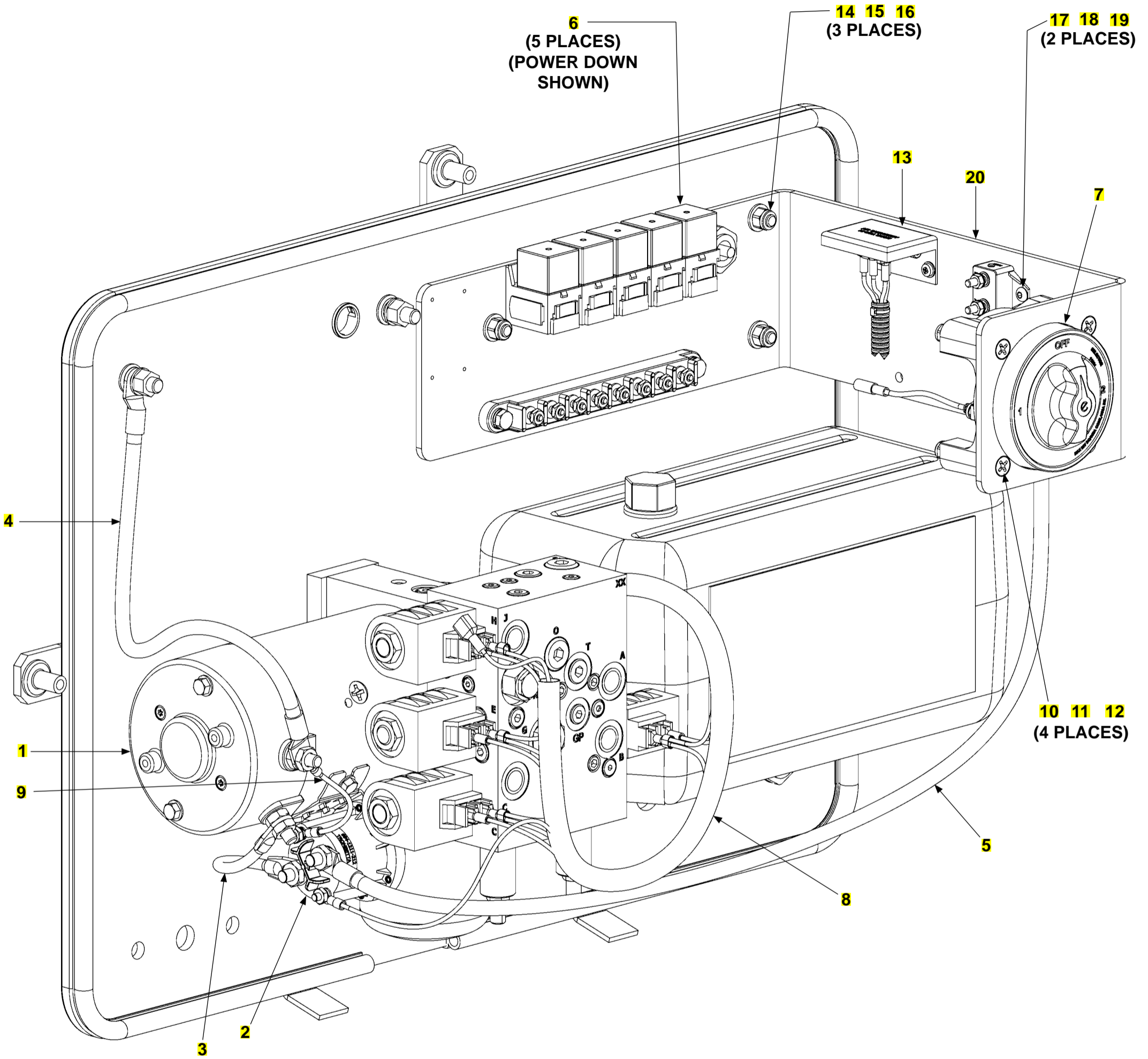


ELECTRICAL SYSTEMS**LAST UPDATED
OCT 2014 to SEPT 2016**

ITEM	QTY.	PART NO.	DESCRIPTION
1	1	289206-01	PUMP EXTENSION CABLE, 6 FT. LG.
		289206-02	PUMP EXTENSION CABLE, 15 FT. LG.
		289206-03	PUMP EXTENSION CABLE, 23 FT. LG.
		289206-04	PUMP EXTENSION CABLE, 31 FT. LG.
		289206-05	PUMP EXTENSION CABLE, 39 FT. LG.
2	1	289868-01	EXTENSION CABLE TO RELAYS
3	1	289210-01	MAIN CONTROL SWITCH, GD
		289210-02	MAIN CONTROL SWITCH, PD
4	2	295916-01	HARNESS ASSEMBLY, STOP/TAIL LIGHTS, LED TO INC
5	1	286268-02	CABLE, MOLDED, 240" LG.
6	1	286268-01	CABLE, MOLDED, 106" LG.
7	1	287165-01	FLEXIBLE CABLE HARNESS
8	1	289220-01	RUNNER SWITCH ASSEMBLY, GRAVITY DOWN
		289220-02	RUNNER SWITCH ASSEMBLY, POWER DOWN

SINGLE PUMP ASSEMBLY

LAST UPDATED
OCT 2014 to SEPT 2016

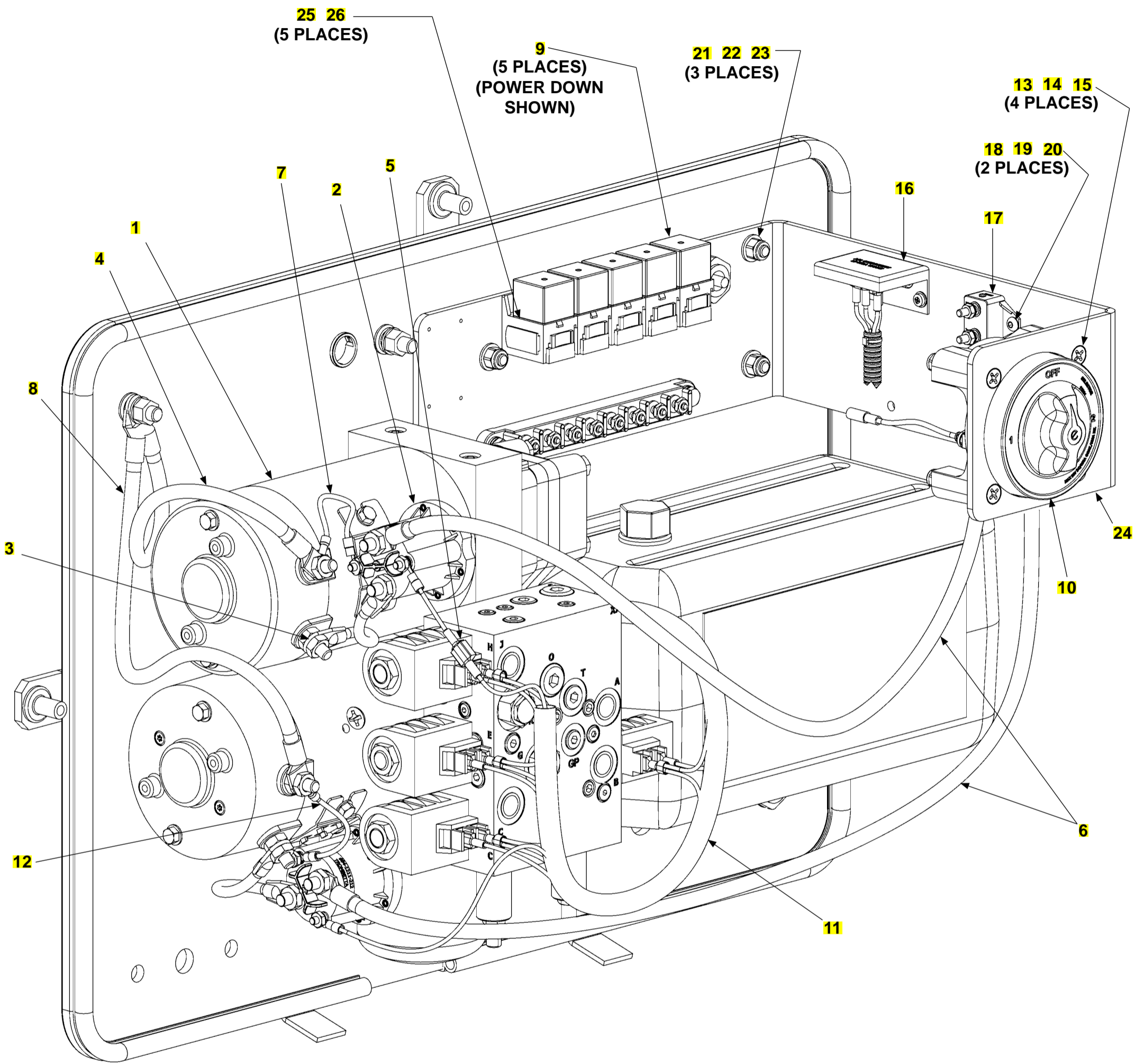


SINGLE PUMP ASSEMBLY**LAST UPDATED
OCT 2014 to SEPT 2016**

ITEM	QTY.	PART NO.	DESCRIPTION
1	1	269582-01	MOTOR, 12 VDC, HEAVY DUTY, 2-TERMINAL
2	1	284080-01	STARTER SOLENOID, STANDARD DUTY
3	1	280404	BATTERY CABLE
4	1	268226-01	CABLE ASSEMBLY, 2 GAUGE, 5/16" RING, 10" LG.
5	1	287676-01	CABLE ASSEMBLY, 2 GAUGE, 5/16" RING, 28" LG.
6	5	906578-02	RELAY, 12VDC, 5 PIN, NO TAB (POWER DOWN)
	4	906578-02	RELAY, 12VDC, 5 PIN, NO TAB (GRAVITY DOWN)
7	1	906608-01	CHARGING SYSTEM SWITCH
8	1	289203-01	RELAY PANEL TO VALVE HARNESS
9	1	268342-01	WIRE ASSEMBLY, 16 GAUGE, 7" LG.
10	4	900719-12	BUTTON SCREW, 1/4"-20 X 2-1/4" LG.
11	16	903443-06	FLAT WASHER, 1/4" (NOT SHOWN)
12	10	901000	NYLON NUT, 1/4"-20 (NOT SHOWN)
13	1	295069-12	LATCH RELAY ASSEMBLY, 12V (POWER DOWN ONLY)
14	3	901602-06	HEX BOLT, 5/16"-18 X 1" LG.
15	3	903443-07	FLAT WASHER, 5/16"
16	3	903106-10	NYLON NUT, 10-24, THIN, 5/16"-18
17	2	900722-04	BUTTON SCREW, 10-24 X 5/8" LG.
18	2	903129-01	NYLON NUT, 10-24, THIN
19	2	902013-07	FLAT WASHER #10
20	1	295745-01	RELAY PANEL & SWITCH MOUNTING PLATE

DUAL PUMP ASSEMBLY

LAST UPDATED
OCT 2014 to SEPT 2016



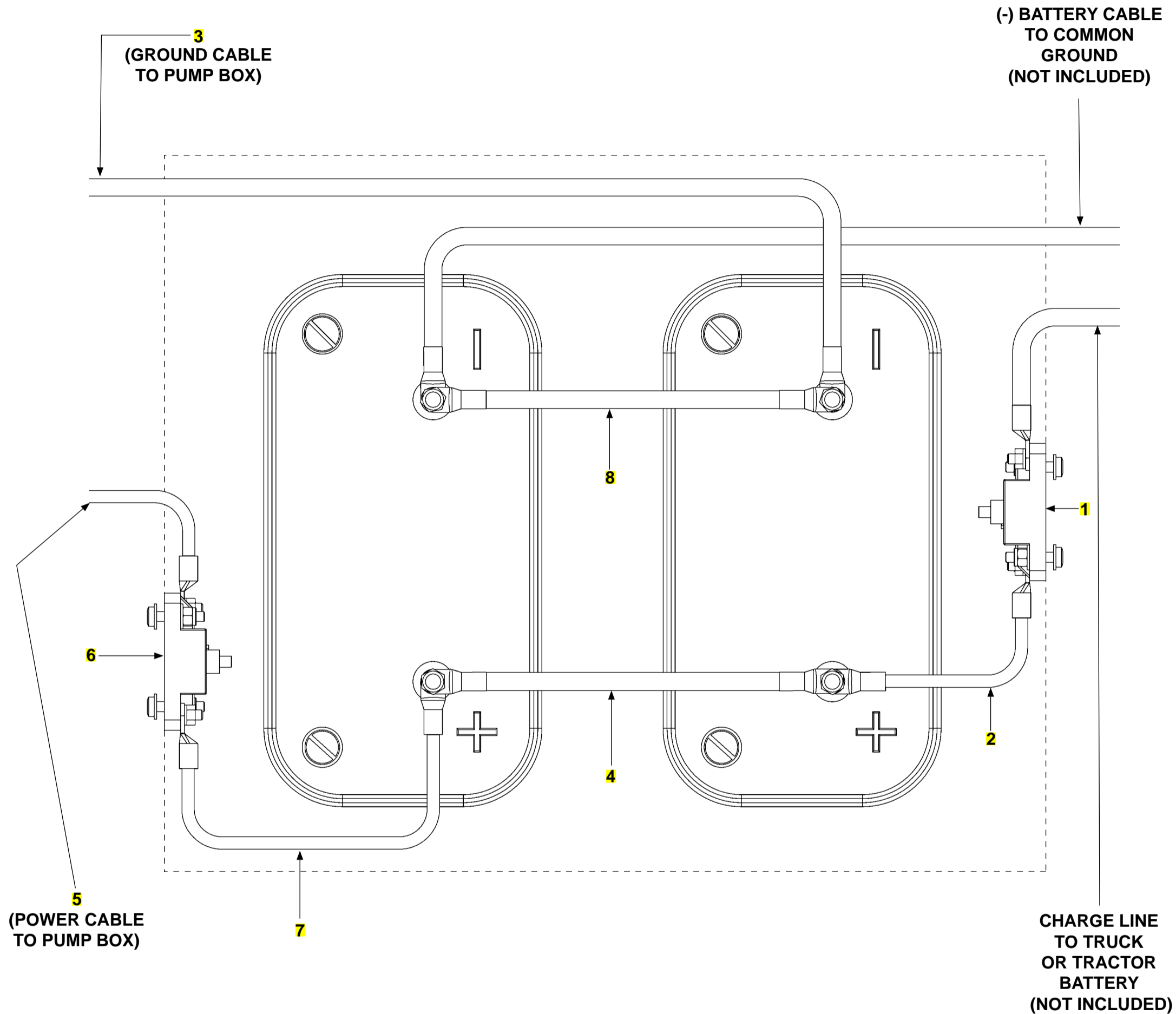
DUAL PUMP ASSEMBLY**LAST UPDATED
OCT 2014 to SEPT 2016**

ITEM	QTY.	PART NO.	DESCRIPTION
1	1	269565-01	POWER UNIT, 12 VDC, 204 (NO BLOCK)
2	1	284080-01	STARTER SOLENOID, STANDARD DUTY
3	1	280404	BATTERY CABLE
4	1	268226-01	CABLE ASSEMBLY, 2 GAUGE, 5/16", 3/8" RING, 10" LG.
5	1	287674-01	TRUMBETTA WIRE ASSEMBLY
6	2	287676-01	CABLE ASSEMBLY, 2 GAUGE, 5/16", 3/8" RING, 28" LG.
7	1	268342-01	WIRE ASSEMBLY, 16 GAUGE, 7" LG
8	1	268226-01	CABLE ASSEMBLY, 2 GAUGE, 5/16" RING, 10" LG.
9	5	906578-02	RELAY, 12VDC, 5 PIN, NO TAB (POWER DOWN)
	4	906578-02	RELAY, 12VDC, 5 PIN, NO TAB (GRAVITY DOWN)
10	1	906608-01	CHARGING SYSTEM SWITCH
11	1	289203-01	RELAY PANEL TO VALVE HARNESS
12	1	268342-01	WIRE ASSEMBLY, 16 GAUGE, 7" LG.
13	4	900719-12	BUTTON SCREW, 1/4"-20 X 2-1/4" LG.
14	16	903443-06	FLAT WASHER, 1/4" (NOT SHOWN)
15	10	901000	NYLON NUT, 1/4"-20 (NOT SHOWN)
16	1	295069-12	LATCH RELAY ASSEMBLY, 12V (POWER DOWN ONLY)
17	1	907204-10	CIRCUIT BREAKER, 10AMP, RESETTABLE
18	2	900722-04	BUTTON SCREW, 10-24 X 5/8" LG.
19	2	903129-01	NYLON NUT, 10-24, THIN
20	2	902013-07	FLAT WASHER #10
21	3	901602-06	HEX BOLT, 5/16"-18 X 1" LG.
22	3	903443-07	FLAT WASHER, 5/16"
23	3	903106-10	NYLON NUT, 10-24, THIN, 5/16"-18
24	1	295745-01	RELAY PANEL & SWITCH MOUNTING PLATE
25	5	268984-01	RELAY BRACKET MOUNTING SOCKET
26	5	900007-5	PAN HEAD SCREW, 10-24 X 1/4" LG.

12 VOLT BATTERY CONNECTION

LAST UPDATED
OCT 2014 to SEPT 2016

NOTE: MAXON recommends using dielectric grease on all electrical connections.



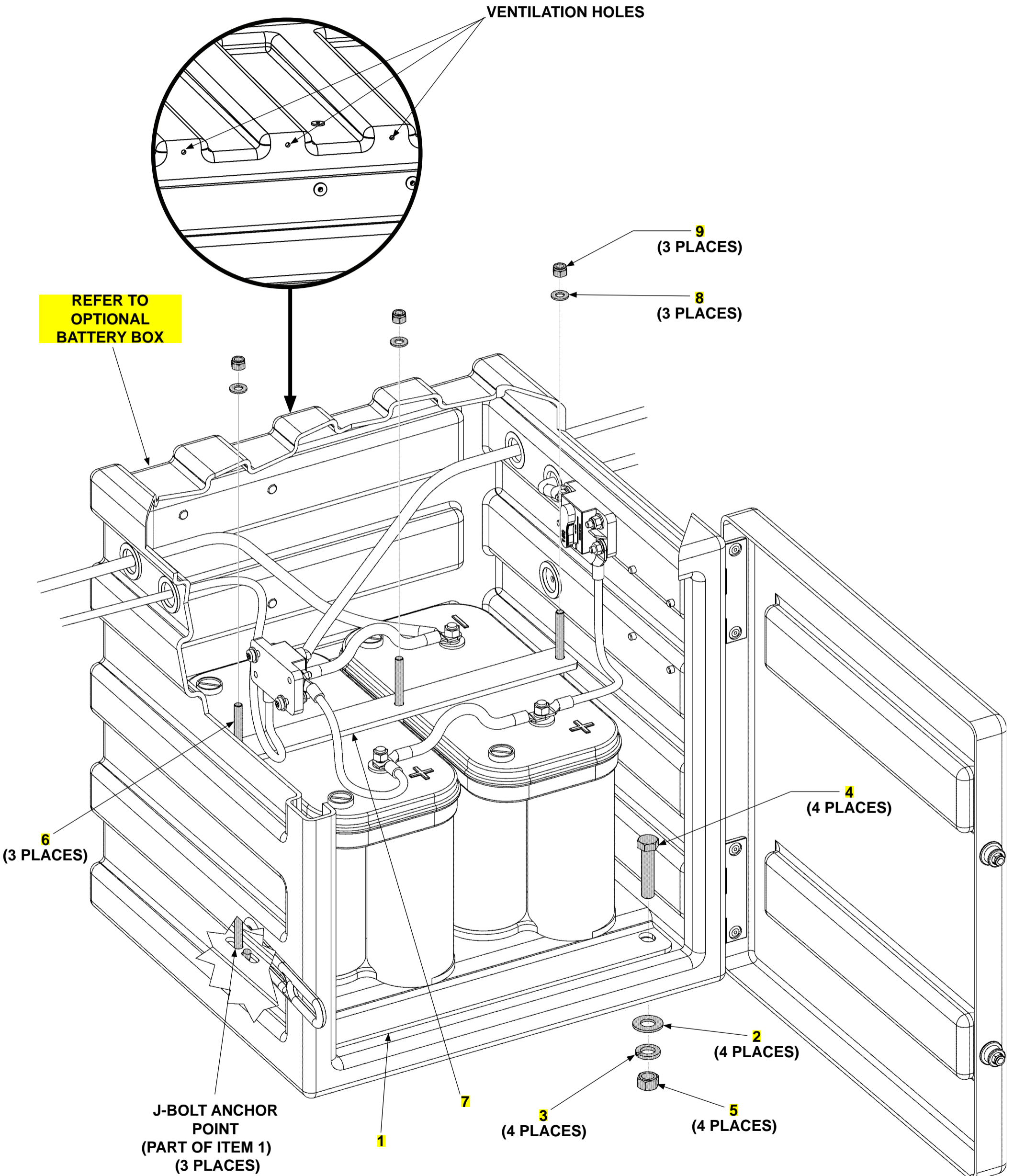
ITEM	QTY.	PART NO.	DESCRIPTION
1	1	907207-01	CIRCUIT BREAKER, 150 AMP, MANUAL RESET
2	1	269308-12	CABLE ASSEMBLY, 2 GA, RED, 12" LG.
3	1	268226-06	CABLE ASSEMBLY, 2 GA, 74" LG.
4	1	269308-10	CABLE ASSEMBLY, 2 GA, RED, 10" LG.
5	1	285506-07	CABLE ASSEMBLY, 2 GA, RED, 57" LG.
6	1	907230-01	CIRCUIT BREAKER, 200 AMP, TRIP/RESET
7	1	285506-01	CABLE ASSEMBLY, 2 GA, RED, 3/8" RING, 10" LG.
8	1	251871-14	CABLE ASSEMBLY, 2 GA, BLACK, 10" LG.

OPTIONAL BATTERY BOX ASSEMBLY

LAST UPDATED
OCT 2014 to SEPT 2016

⚠ WARNING

Explosive hydrogen gas from charging batteries can accumulate in battery box if not vented from the box. To prevent hydrogen gas from accumulating, ensure the 3 ventilation holes in battery box are not plugged or covered.

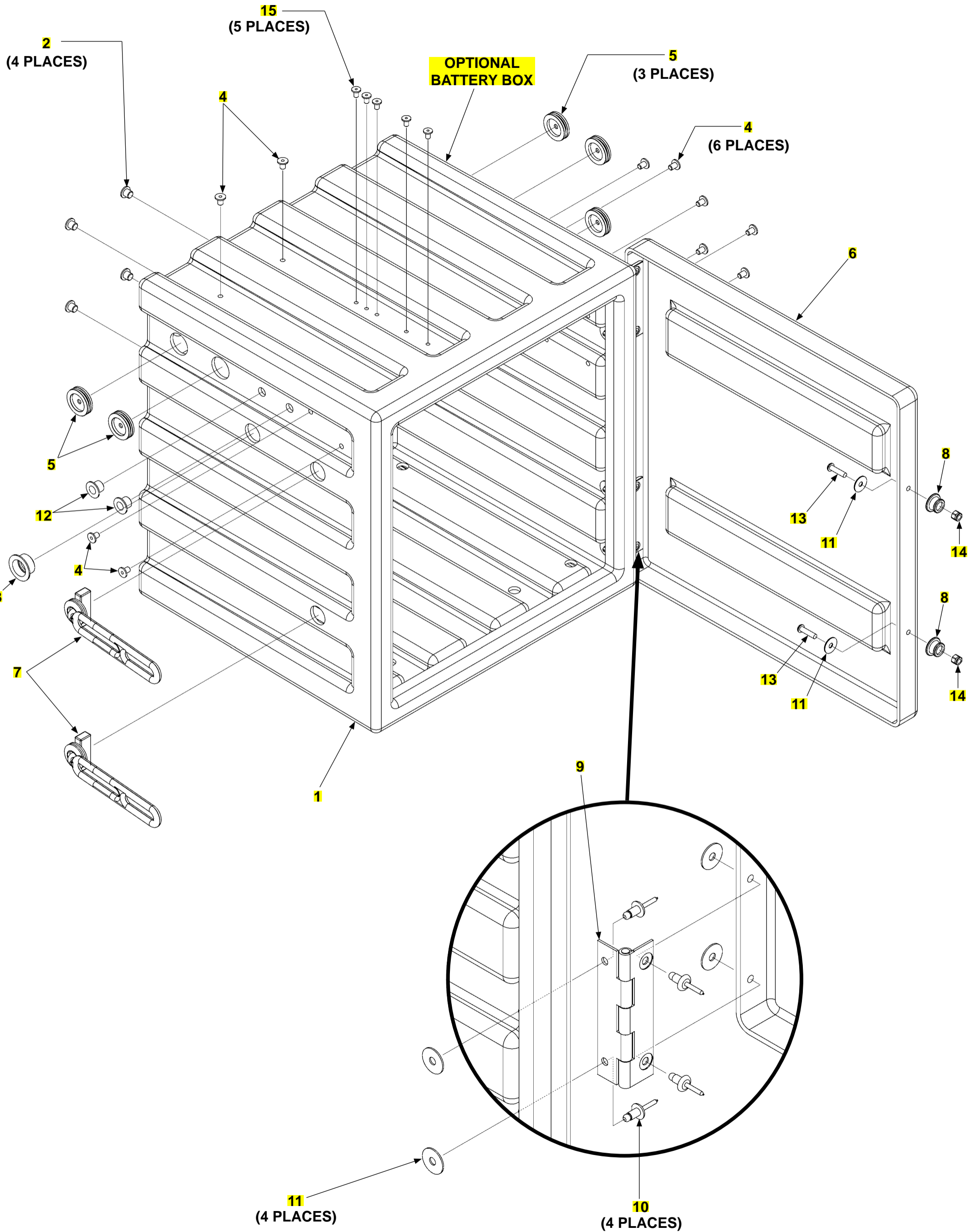


OPTIONAL BATTERY BOX ASSEMBLY**LAST UPDATED
OCT 2014 to SEPT 2016**

ITEM	QTY.	PART NO.	DESCRIPTION
1	1	289871-01	BATTERY MOUNT PLATE WELDMENT (2 BATTERY)
2	4	902013-14	FLAT WASHER, 9/16"
3	4	902011-7	LOCK WASHER, 9/16"
4	4	900033-6	CAP SCREW, 1/2"-20 X 2-1/4" LG, GRADE 8
5	4	901011-10	HEX NUT, 1/2"-20
6	3	289872-01	J-BOLT (BATTERY TIE DOWN), 5/16"
7	1	289874-01	BATTERY STRAP (2 BATTERY)
8	3	902013-10	FLAT WASHER, 5/16"
9	3	903106-10	NYLON NUT, 5/16"-18

OPTIONAL BATTERY BOX

LAST UPDATED
OCT 2014 to SEPT 2016



OPTIONAL BATTERY BOX**LAST UPDATED
OCT 2014 to SEPT 2016**

ITEM	QTY.	PART NO.	DESCRIPTION
REF	1	269561-01	BATTERY BOX ASSEMBLY
1	1	289854-01	BOX
2	4	908022-03	FLEXIBLE PLUG, 5/16"
3	1	908022-08	FLEXIBLE PLUG, 1-1/16"
4	10	908022-07	FLEXIBLE PLUG, 1/4"
5	5	266428-02	GROMMET, 1" DIAPHRAGM, 1/4" HOLE
6	1	269558-01	COVER
7	2	908193-01	RUBBER LATCH
8	2	908194-01	FASTENING KNOB
9	2	285970-01	HINGE ASSEMBLY, PLASTIC
10	8	903715-03	BLIND RIVET, 1/4" X 1/4"-3/8"
11	10	903438-01	WASHER, 1/4"
12	2	908022-05	FLEXIBLE PLUG, 9/16"
13	2	900719-07	BUTTON HEAD SCREW, 1/4"-20 X 1" LG.
14	2	903137-01	LOCK NUT, 1/4"-20, NYLON
15	5	908022-01	FLEXIBLE PLUG, 1/4" X 1/2"

NOTE: Preferred decal layout is shown. Decals on the Liftgate are attached at the factory. If vehicle does not permit this layout, decals in the manual and decal kit must be applied so that they are easily visible when approaching vehicle to operate Liftgate. Use good common sense when locating these decals on vehicle.

WARNING
Read this information carefully.

- Improper operation of this Liftgate can result in serious personal injury. If you do not have a copy of the operating instructions, please obtain them from your employer, distributor, or dealer before you attempt to operate the Liftgate.
- If there are signs of improper maintenance, damage to vital parts, or slippery platform surface, do not use the Liftgate until these problems have been corrected.
- If you are using a pallet jack, be sure it can be maneuvered safely.
- Do not operate a forklift on the platform.
- Do not allow any part of yours or your helper's body to be placed under, within, or around any portion of the moving Liftgate, or its mechanisms, or in a position that would trap them between the platform and the ground or truck when the Liftgate is operated.
- If a helper is riding the platform with you, make sure you are both doing so safely and that you are not in danger of coming in contact with any moving or potentially moving obstacles.
- **USE GOOD COMMON SENSE**
- If load appears to be unsafe, do not lift or lower it.

For a free copy of other manuals that pertain to this model Liftgate, please visit our website at www.mazdausa.com or call Customer Service at (800) 331-4110.

WARNING
Liftgate hazards can result in crushing or falling. Keep hands and feet clear of pinch points. If riding liftgate, make sure load is stable and footing is solid.

Read and understand all instructions and WARNINGS before use.

SAFETY INSTRUCTIONS
Read all decals and operation manual before operating liftgate.

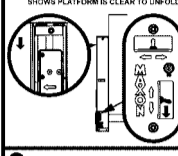
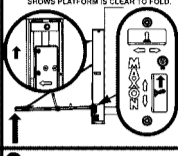
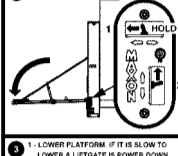
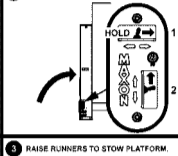
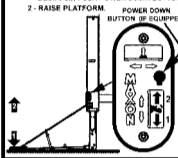
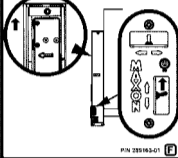
1. Do not use liftgate unless you have been properly instructed and have read and are familiar with the operating instructions.
2. Be certain vehicle is properly and securely braked before using the liftgate.
3. Always inspect this liftgate for maintenance or damage before using it. Do not use liftgate if it shows any sign of damage or improper maintenance.
4. Do not overload.
5. Make certain the area in which the platform will open and close is clear before opening or closing the platform.
6. Make certain platform area, including the area in which loads may fall from platform, is clear before and at all times during operation of liftgate.
7. This liftgate is intended for loading and unloading of cargo only. Do not use this liftgate for anything but its intended use.

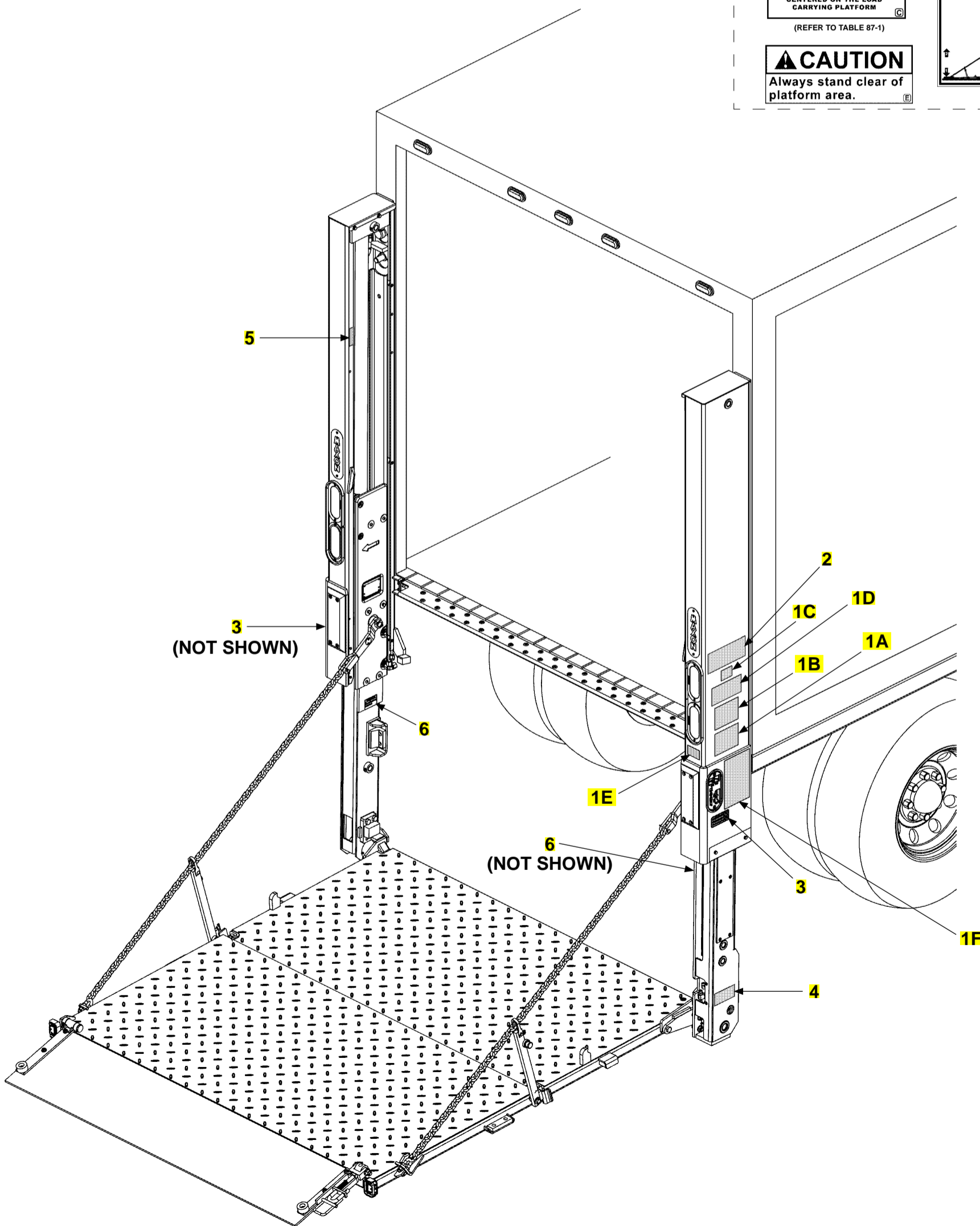
THE MAXIMUM CAPACITY OF THIS LIFT IS
___ LB [___ KG]
WHEN THE LOAD IS CENTERED ON THE LOAD CARRYING PLATFORM

(REFER TO TABLE 87-1)

CAUTION
Always stand clear of platform area.

OPERATING INSTRUCTIONS

OPERATE	STOW
<p>1. LOWER RUNNERS TO LINE UP YELLOW ARROW WITH YELLOW STRIPE. THIS SHOWS PLATFORM IS CLEAR TO UNFOLD.</p> 	<p>1. RAISE PLATFORM TO LINE UP YELLOW ARROW WITH YELLOW STRIPE. THIS SHOWS PLATFORM IS CLEAR TO FOLD.</p> 
<p>2. UNFOLD PLATFORM.</p> 	<p>2. FOLD PLATFORM.</p> 
<p>3. LOWER PLATFORM. IF IT IS SLOW TO LOWER & LIFTGATE IS POWER DOWN EQUIPPED, PUSH POWER DOWN BUTTON.</p> <p>4. RAISE PLATFORM. POWER DOWN BUTTON IS EQUIPPED.</p> 	<p>3. RAISE RUNNERS TO STOW PLATFORM.</p> 



DECALS

LAST UPDATED
OCT 2014 to SEPT 2016

ITEM	QTY.	PART NO.	DESCRIPTION
1	1	289163-01	DECAL, SHEET, BMRB35
		289163-02	DECAL, SHEET, BMRB44
		289163-03	DECAL, SHEET, BMRB55
		289163-04	DECAL, SHEET, BMRB66
1A	1	289163-01	DECAL, SHEET, BMRB35
		289163-02	DECAL, SHEET, BMRB44
		289163-03	DECAL, SHEET, BMRB55
		289163-04	DECAL, SHEET, BMRB66
1B	1	289163-01	DECAL, SHEET, BMRB35
		289163-02	DECAL, SHEET, BMRB44
		289163-03	DECAL, SHEET, BMRB55
		289163-04	DECAL, SHEET, BMRB66
1C	1	289163-01	DECAL, SHEET, BMRB35
		289163-02	DECAL, SHEET, BMRB44
		289163-03	DECAL, SHEET, BMRB55
		289163-04	DECAL, SHEET, BMRB66
1D	1	289163-01	DECAL, SHEET, BMRB35
		289163-02	DECAL, SHEET, BMRB44
		289163-03	DECAL, SHEET, BMRB55
		289163-04	DECAL, SHEET, BMRB66
1E	1	289163-01	DECAL, SHEET, BMRB35
		289163-02	DECAL, SHEET, BMRB44
		289163-03	DECAL, SHEET, BMRB55
		289163-04	DECAL, SHEET, BMRB66
1F	1	289163-01	DECAL, SHEET, BMRB35
		289163-02	DECAL, SHEET, BMRB44
		289163-03	DECAL, SHEET, BMRB55
		289163-04	DECAL, SHEET, BMRB66
2	1	282847-01	DECAL, WARNING, STOW, COLUMN/RAIL
3	2	283445-01	DECAL, FAMILY OWNED
4	1	288966-01	DECAL, WARNING, BMR RUNNERS
5	1	090175-15	TAPE, YEL REFL. 3"X4.1LG
6	2	260552	DECAL DO NOT GREASE COLUMNS