

To search for your Maxon parts in this document, press Ctrl + F for Windows or Command + F for macOS to open the Search Box.



This parts manual covers all DMD's manufactured November 2019 till current. If your model is older then please contact Maxon CS at 800.227.4116 or parts@maxonlift.com.

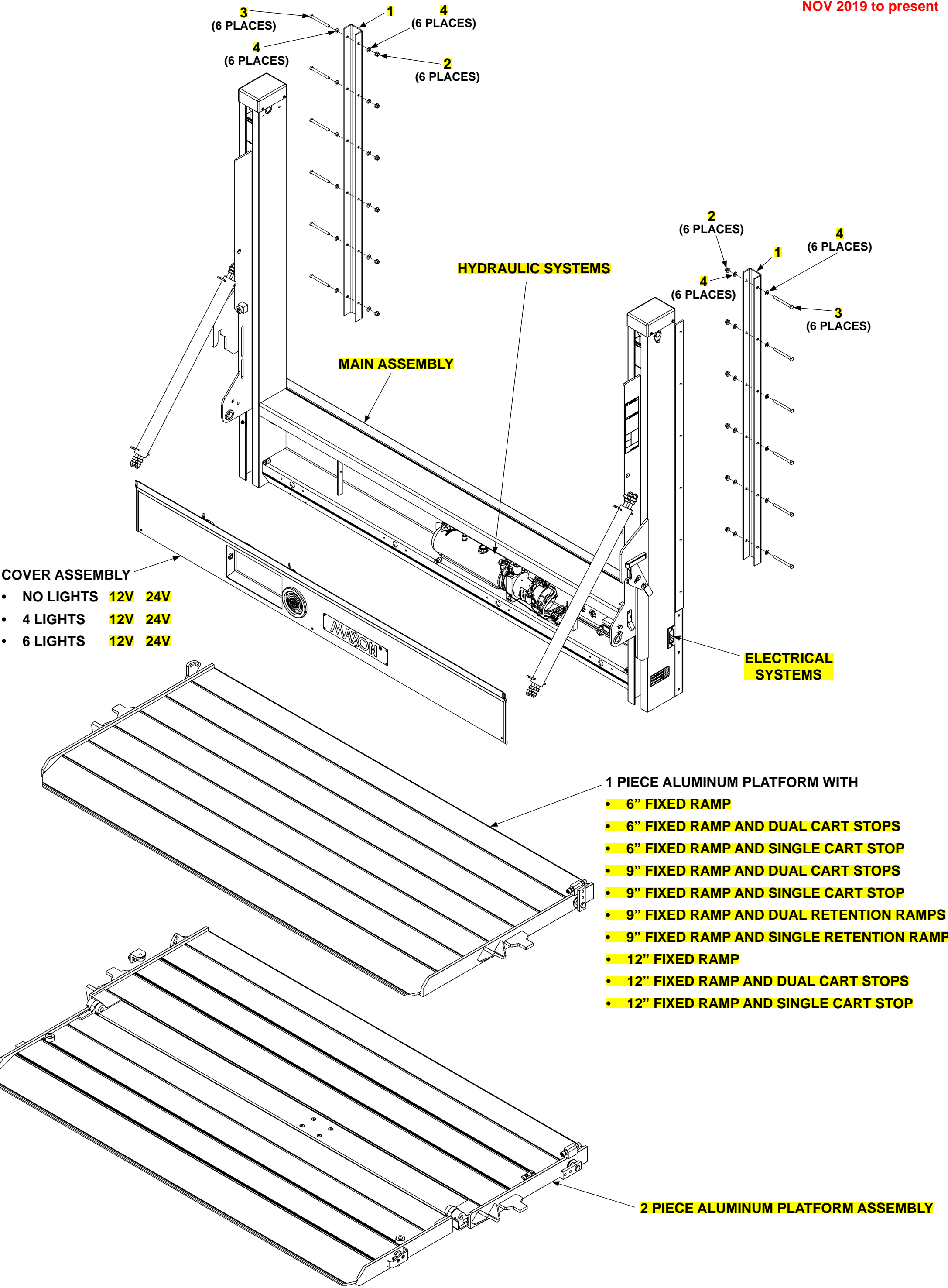
**RAILIFT™
DMD**

PARTS BREAKDOWN



FINAL ASSEMBLY (MANUAL CLOSER)

LAST UPDATED
NOV 2019 to present

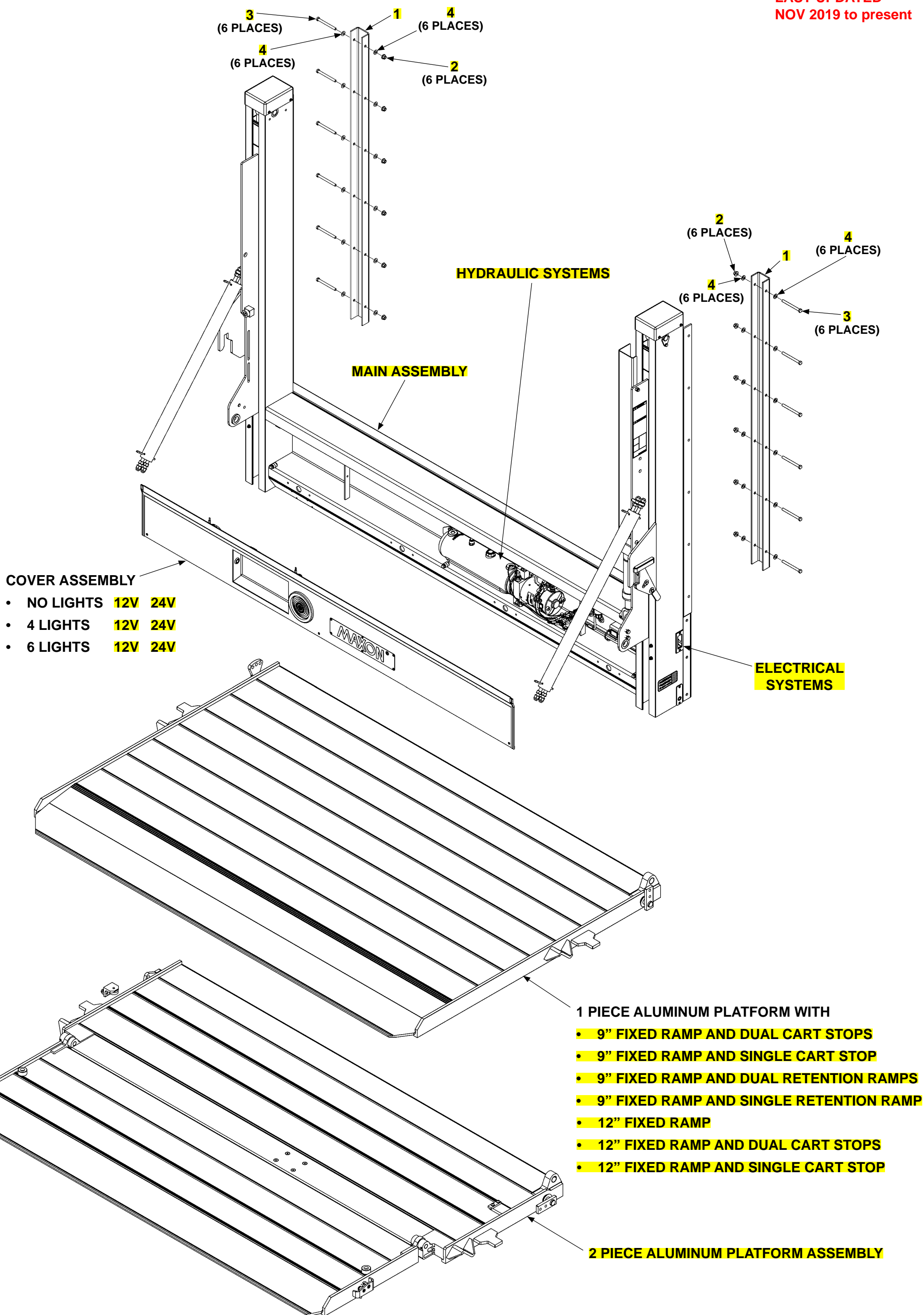


FINAL ASSEMBLY (MANUAL CLOSER)

ITEM	QTY.	PART NO.	DESCRIPTION
1	2	299001-01	MOUNTING CHANNEL, STD UNITS
		299001-11	MOUNTING CHANNEL, SST, STD UNITS
		299001-02	MOUNTING CHANNEL, ABOVE BED UNITS
		299001-12	MOUNTING CHANNEL, SST, ABOVE BED UNITS
2	12	901023-03	FLANGE LOCK NUT,38-16,ZC
3	12	900014-14	SCREW,HEX CAP.38-16X4,G8,ZC
4	24	903442-03	WASHER, FLAT, USS, GR8, .38

FINAL ASSEMBLY (HYDRAULIC CLOSER)

LAST UPDATED
NOV 2019 to present



COVER ASSEMBLY

- NO LIGHTS 12V 24V
- 4 LIGHTS 12V 24V
- 6 LIGHTS 12V 24V

HYDRAULIC SYSTEMS

MAIN ASSEMBLY

ELECTRICAL SYSTEMS

1 PIECE ALUMINUM PLATFORM WITH

- 9" FIXED RAMP AND DUAL CART STOPS
- 9" FIXED RAMP AND SINGLE CART STOP
- 9" FIXED RAMP AND DUAL RETENTION RAMPS
- 9" FIXED RAMP AND SINGLE RETENTION RAMP
- 12" FIXED RAMP
- 12" FIXED RAMP AND DUAL CART STOPS
- 12" FIXED RAMP AND SINGLE CART STOP

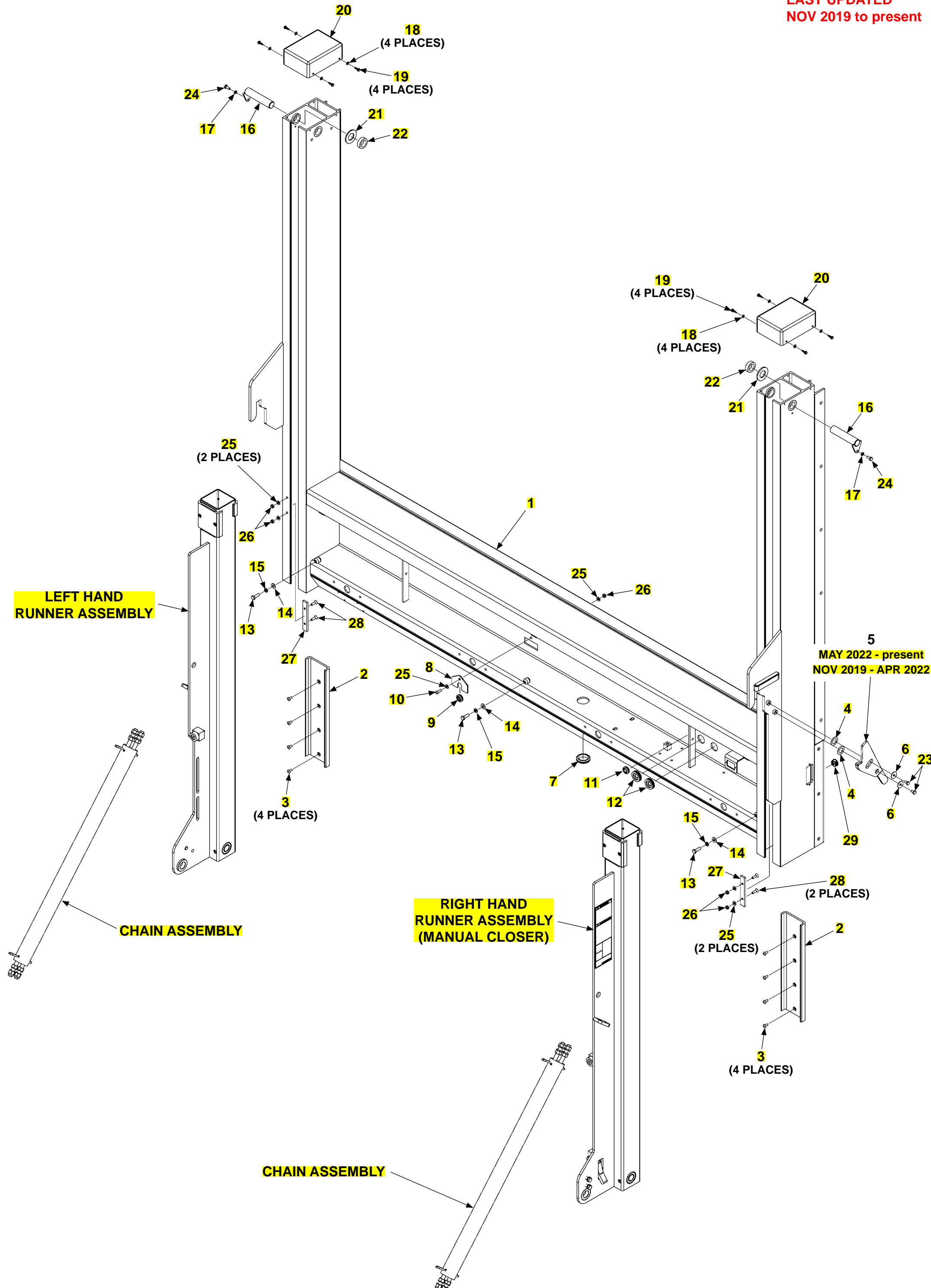
2 PIECE ALUMINUM PLATFORM ASSEMBLY

FINAL ASSEMBLY (HYDRAULIC CLOSER)

ITEM	QTY.	PART NO.	DESCRIPTION
1	2	299001-01	MOUNTING CHANNEL, STD UNITS
		299001-11	MOUNTING CHANNEL, SST, STD UNITS
		299001-02	MOUNTING CHANNEL, ABOVE BED UNITS
		299001-12	MOUNTING CHANNEL, SST, ABOVE BED UNITS
2	12	901023-03	FLANGE LOCK NUT,38-16,ZC
3	12	900014-14	SCREW,HEX CAP.38-16X4,G8,ZC
4	24	903442-03	WASHER, FLAT, USS, GR8, .38

MAIN ASSEMBLY (MANUAL CLOSER)

LAST UPDATED
NOV 2019 to present



**LEFT HAND
RUNNER ASSEMBLY**

CHAIN ASSEMBLY

**RIGHT HAND
RUNNER ASSEMBLY
(MANUAL CLOSER)**

CHAIN ASSEMBLY

**MAY 2022 - present
NOV 2019 - APR 2022**

20
18
(4 PLACES)
19
(4 PLACES)
24
17 **16**
21
22

19
(4 PLACES)
20
18
(4 PLACES)
22
21

25
(2 PLACES)

26

15

13

27

14

28

2

25

10

9

13

15

3
(4 PLACES)

7

11

12

15

14

13

27

26

25
(2 PLACES)

2

3
(4 PLACES)

1

25

26

8

10

9

13

14

15

7

11

12

15

14

13

27

26

25
(2 PLACES)

2

3
(4 PLACES)

19
(4 PLACES)

18
(4 PLACES)

22

21

16

17

24

5

**MAY 2022 - present
NOV 2019 - APR 2022**

4

6

23

4

29

28
(2 PLACES)

15

14

13

27

26

25
(2 PLACES)

2

3
(4 PLACES)

15

14

13

27

26

25
(2 PLACES)

2

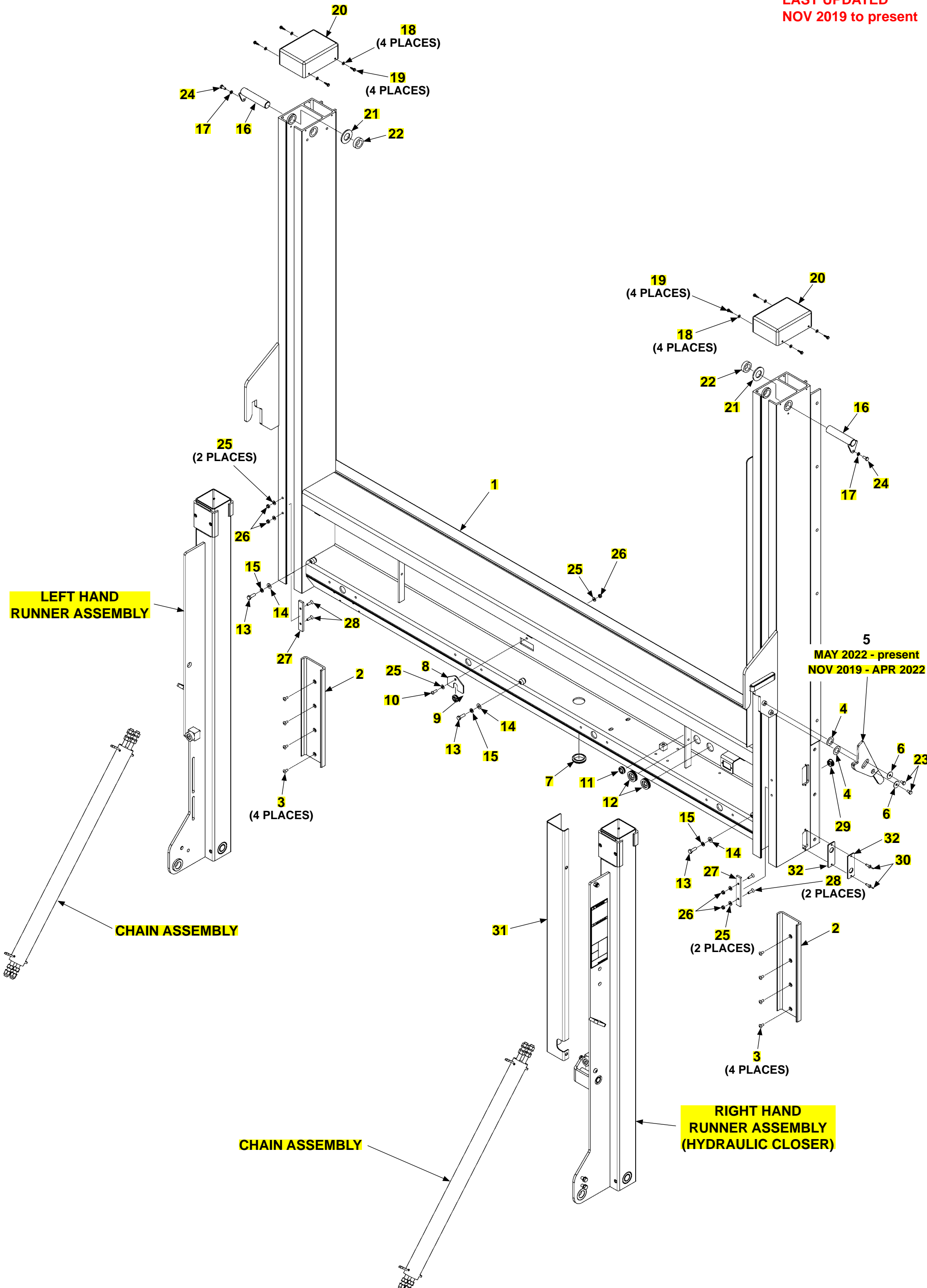
3
(4 PLACES)

MAIN ASSEMBLY (MANUAL CLOSER)

ITEM	QTY.	PART NO.	DESCRIPTION
1	1	299509-96-STD	AL. DMD M/F WLDMT, M/C 96" STD
		299495-96-08	AL. DMD M/F WLDMT, M/C 96", 8" AB
		299495-96-12	AL. DMD M/F WLDMT, M/C 96", 12" AB
		299495-96-16	AL. DMD M/F WLDMT, M/C 96", 16" AB
		299509-102-STD	AL. DMD M/F WLDMT, M/C 102" STD
		299495-102-08	AL. DMD M/F WLDMT, M/C 102", 8" AB
		299495-102-12	AL. DMD M/F WLDMT, M/C 102", 12" AB
		299495-102-16	AL. DMD M/F WLDMT, M/C 102", 16" AB
2	2	296983-01	COLUMN WEAR PAD, 16.0" LG
3	8	5-05019-01	AVDEL MONOBOLT
4	2	261685	WASHER, 1-1/4X3/4X.030 SS
5	1	296980-01	TRANSIT HOOK WELDT, RH
		212750-01	REPLACEMENT KIT, TRANSIT HOOK, DMD
6	2	903409-06	WASHER, FEND. Ø.28 X 1 OD, SS
7	1	269354	GROMMET, 1.375"ID
8	1	286396-03	COVER PLATE, ALUM
9	1	281068-04	GROMMET, MODIFIED, .5 HOLE W. SLIT
10	1	900719-05	SCREW, BTN .25-20X.75 SS
11	1	908028-01	GROM PVC .75IDX.13GR.WD
12	2	266428-06	GROMMET, Ø1.0 DIAPH Ø.56 HOLE
13	3	901602-06	BOLT, HEX .313-18X1.00,18-8 SS
14	3	903409-02	WASHER, FEND. Ø.344 X .75OD, SS
15	3	902019-4	WASHER,LOCK S/ST .583ODX.322ID
16	2	296990-01	PIN WELDT, CYL TOP
17	2	902019-3	WASHER,LOCK S/ST .487ODX.260ID
18	8	903444-01	WASHER, FLAT #10, SS
19	8	030453-01	SCREW TAPPING #10X3/4 ZC
20	2	297904-01	ALUM COLUMN COVER, DMD
21	2	902013-18	WASHER, FLAT 2X1-1/16X9/64 ZC
22	2	283211-03	CYLINDER SPACER, 0.44" LG
23	2	901603-02	BOLT, HEX .25-20X.5,18-8 SS
24	2	901603-03	BOLT, HEX .25-20X.63,18-8 SS
25	6	903412-01	WASHER, FLAT .25, SS
26	5	903132-01	NUT, NYL INSRT, THN .25-20, SS
27	2	298001-01	COLUMN FRONT PAD,.25X.75X4.75" LG
28	4	900711-04	SCREW, SOC FL .25-20X.88 SS
29	1	908081-04	PLUG, NYLON, FOR Ø.88 HOLE

MAIN ASSEMBLY (HYDRAULIC CLOSER)

LAST UPDATED
NOV 2019 to present



MAIN ASSEMBLY (HYDRAULIC CLOSER)

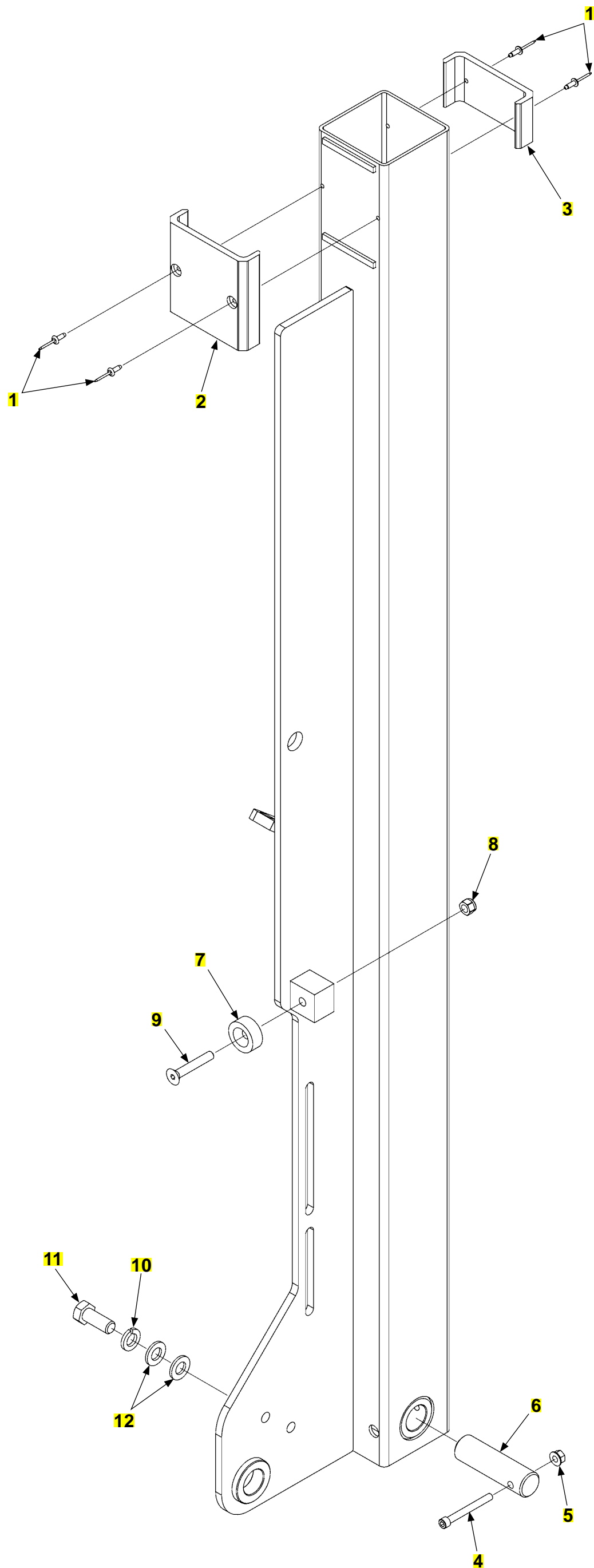
ITEM	QTY.	PART NO.	DESCRIPTION
1	1	299510-96-STD	AL. DMD M/F WLDMT, H/C 96" STD
		299505-96-08	AL. DMD M/F WLDMT, H/C 96", 8" AB
		299505-96-12	AL. DMD M/F WLDMT, H/C 96", 12" AB
		299505-96-16	AL. DMD M/F WLDMT, H/C 96", 16" AB
		299510-102-STD	AL. DMD M/F WLDMT, H/C 102" STD
		299505-102-08	AL. DMD M/F WLDMT, H/C 102", 8" AB
		299505-102-12	AL. DMD M/F WLDMT, H/C 102", 12" AB
		299505-102-16	AL. DMD M/F WLDMT, H/C 102", 16" AB
2	2	296983-01	COLUMN WEAR PAD, 16.0" LG
3	8	5-05019-01	AVDEL MONOBOLT
4	2	261685	WASHER, 1-1/4X3/4X.030 SS
5	1	296980-01	TRANSIT HOOK WELDT, RH
		212750-01	REPLACEMENT KIT, TRANSIT HOOK, DMD
6	2	903409-06	WASHER, FEND. Ø.28 X 1 OD, SS
7	1	269354	GROMMET, 1.375"ID
8	1	286396-03	COVER PLATE, ALUM
9	1	281068-04	GROMMET, MODIFIED, .5 HOLE W. SLIT
10	1	900719-05	SCREW, BTN .25-20X.75 SS
11	1	908028-01	GROM PVC .75IDX.13GR.WD
12	2	266428-06	GROMMET, Ø1.0 DIAPH Ø.56 HOLE
13	3	901602-06	BOLT, HEX .313-18X1.00,18-8 SS
14	3	903409-02	WASHER, FEND. Ø.344 X .75OD, SS
15	3	902019-4	WASHER,LOCK S/ST .583ODX.322ID
16	2	296990-01	PIN WELDT, CYL TOP
17	2	902019-3	WASHER,LOCK S/ST .487ODX.260ID
18	8	903444-01	WASHER, FLAT #10, SS
19	8	030453-01	SCREW TAPPING #10X3/4 ZC
20	2	297904-01	ALUM COLUMN COVER, DMD
21	2	902013-18	WASHER, FLAT 2X1-1/16X9/64 ZC
22	2	283211-03	CYLINDER SPACER, 0.44" LG
23	3	901603-02	BOLT, HEX .25-20X.5,18-8 SS
24	2	901603-03	BOLT, HEX .25-20X.63,18-8 SS
25	6	903412-01	WASHER, FLAT .25, SS
26	5	903132-01	NUT, NYL INSRT, THN .25-20, SS
27	2	298001-01	COLUMN FRONT PAD,.25X.75X4.75" LG
28	4	900711-04	SCREW, SOC FL .25-20X.88 SS
29	1	908081-04	PLUG, NYLON, FOR Ø.88 HOLE
30	2	207644	RIVET, BLND .19 X .58 DOME
31	1	297731-01	RUNNER HOSE GUIDE
32	2	298663-01	H/C SWITCH BRACKET

LEFT HAND RUNNER ASSEMBLY

LAST UPDATED
AUG 2018 to present

COMPLETE ASSEMBLY:

LEFT HAND RUNNER ASSEMBLY



LEFT HAND RUNNER ASSEMBLY

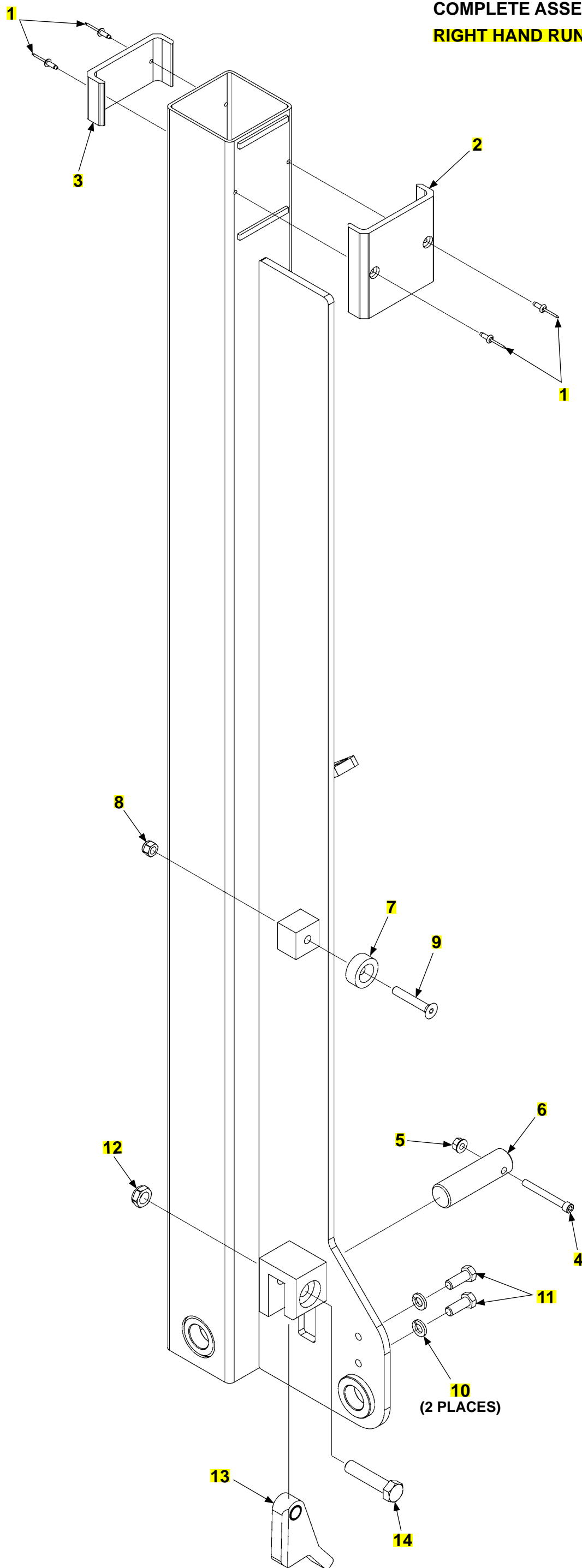
ITEM	QTY.	PART NO.	DESCRIPTION
REF	1	296985-01G	RUNNER ASSY, LH, GALV
1	4	903706-04	RIVET,BLD DOME,AL/AL Ø.156X.53
2	1	296989-01	WEAR PAD, 4.00" LG.
3	1	296989-02	WEAR PAD, 2.00" LG.
4	1	900732-12	SCREW, SOC .25-20X2.25 SS
5	1	901023-01	FLANGE LOCK NUT, 25-20, ZC
6	1	298642-01	PIN, Ø1 X 3.47 LG
7	1	297723-01	P/F STOP BUMPER
8	1	903106-10	NUT, NYL INSRT STP .313-18 SS
9	1	900021-7	SCREW, SOC .312-18X2 FL
10	1	902019-7	WASHER,LOCK S/ST .869ODX.512ID
11	1	900035-2	SCREW,CAP HXHD.5-13UNC-2A 1.25
12	2	903434-11	WASHER, FLAT, M12, SS

RIGHT HAND RUNNER ASSEMBLY (MANUAL CLOSER)

LAST UPDATED
AUG 2018 to present

COMPLETE ASSEMBLY:

RIGHT HAND RUNNER ASSEMBLY (MANUAL CLOSER)



RIGHT HAND RUNNER ASSEMBLY (MANUAL CLOSER)

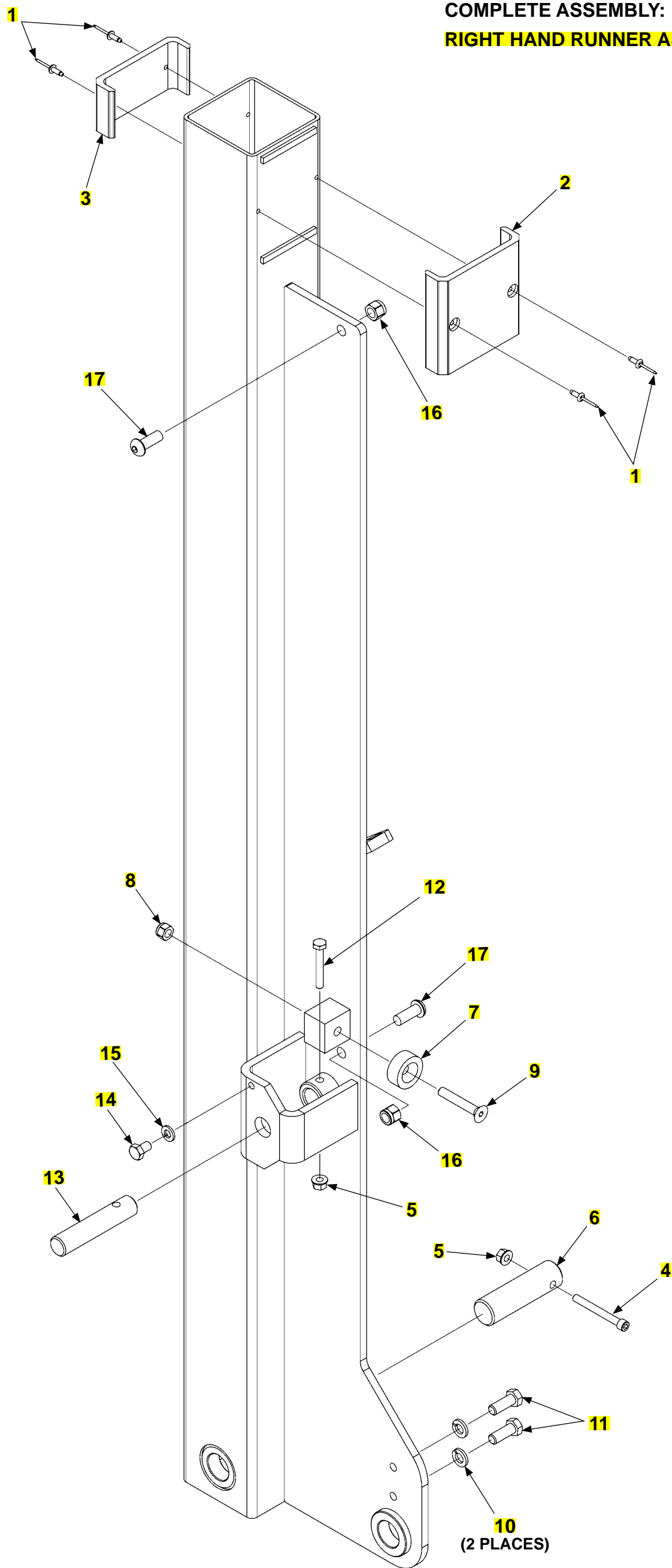
ITEM	QTY.	PART NO.	DESCRIPTION
REF	1	296985-02G	RUNNER ASSY, RH, GALV
1	4	903706-04	RIVET,BLD DOME,AL/AL Ø.156X.53
2	1	296989-01	WEAR PAD, 4.00" LG.
3	1	296989-02	WEAR PAD, 2.00" LG.
4	1	900732-12	SCREW, SOC .25-20X2.25 SS
5	1	901023-01	FLANGE LOCK NUT, 25-20, ZC
6	1	298642-01	PIN, Ø1 X 3.47 LG
7	1	297723-01	P/F STOP BUMPER
8	1	903106-10	NUT, NYL INSRT STP .313-18 SS
9	1	900021-7	SCREW, SOC .312-18X2 FL
10	2	902019-5	WASHER,LOCK S/ST .680ODX.385ID
11	2	900014-4	SCREW,HEX CAP.38-16X1 GR8, ZC
12	1	901016-6	NUT HEX THN HD LKING.5-13UNC
13	1	297727-01	LOCKING PLATE ASSY
14	1	900035-6	SCREW,CAP HXHD.5-13UNC-2A 2.

RIGHT HAND RUNNER ASSEMBLY (HYDRAULIC CLOSER)

LAST UPDATED
AUG 2018 to present

COMPLETE ASSEMBLY:

RIGHT HAND RUNNER ASSEMBLY (HYDRAULIC CLOSER)



RIGHT HAND RUNNER ASSEMBLY (HYDRAULIC CLOSER)

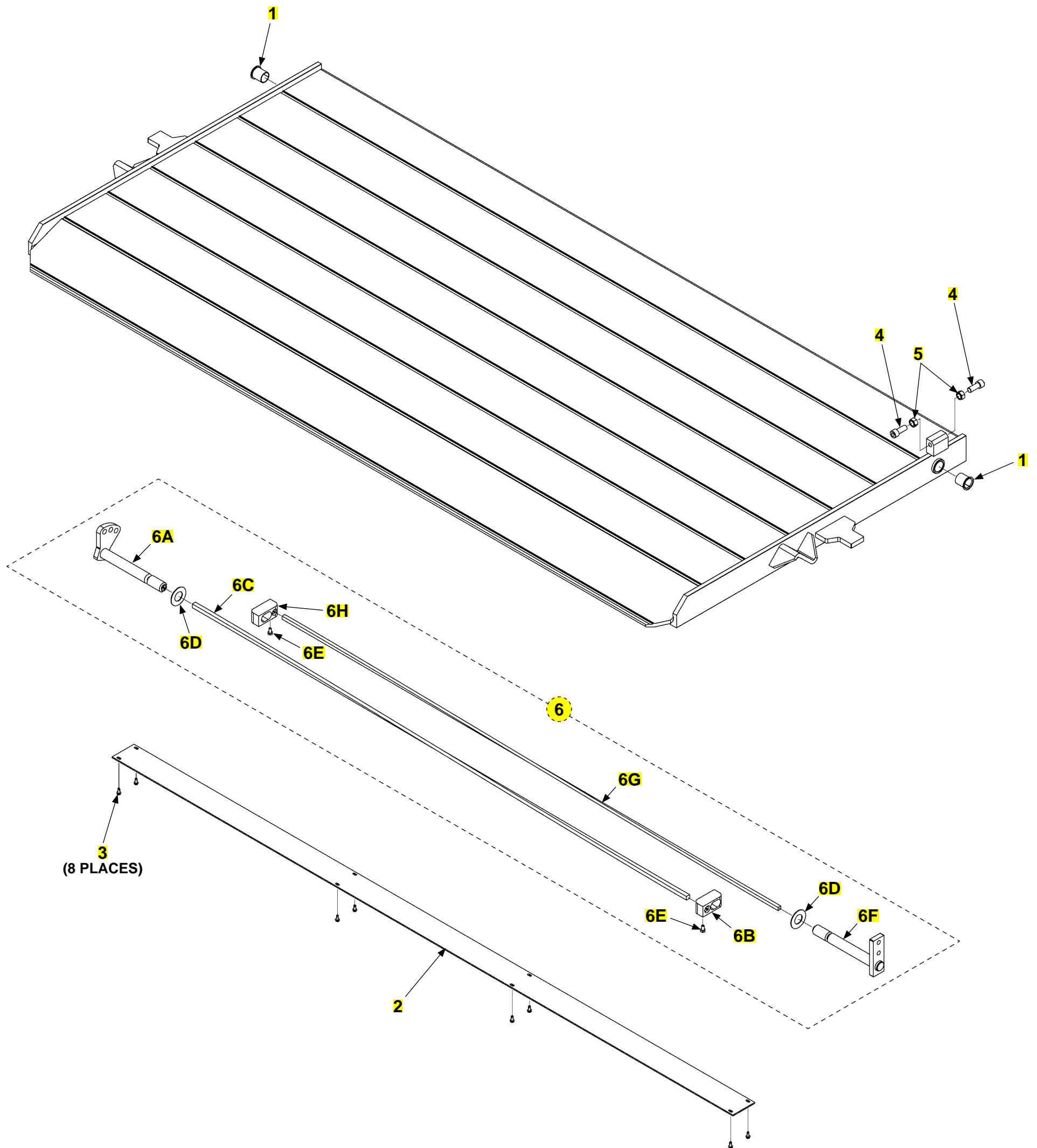
ITEM	QTY.	PART NO.	DESCRIPTION
REF	1	296985-03G	RUNNER ASSY, RH, H/C, GALV
1	4	903706-04	RIVET,BLD DOME,AL/AL Ø.156X.53
2	1	296989-01	WEAR PAD, 4.00" LG.
3	1	296989-02	WEAR PAD, 2.00" LG.
4	1	900732-12	SCREW, SOC .25-20X2.25 SS
5	1	901023-01	FLANGE LOCK NUT, 25-20, ZC
6	1	298642-01	PIN, Ø1 X 3.47 LG
7	1	297723-01	P/F STOP BUMPER
8	1	903106-10	NUT, NYL INSRT STP .313-18 SS
9	1	900021-7	SCREW, SOC .312-18X2 FL
10	2	902019-5	WASHER,LOCK S/ST .680ODX.385ID
11	2	900014-4	SCREW,HEX CAP.38-16X1 GR8, ZC
12	1	900000-7	BOLT, HX .25-20X1.75 GR8 ZC
13	1	298641-01	PIN, Ø.75 X 3.63 LG
14	1	900009-4	SCREW, CAP .31-18X.5 GR8 ZC
15	1	902011-3	WASHER, LOCK 5/16X5/64 G8 ZC
16	2	901002	NUT, NYLON 3/8-16 ZINC
17	2	900064-05	SCREW,BTN SCT CAP.375-16 X 1.0

1 PIECE PLATFORM WITH 6" FIXED RAMP (MANUAL CLOSER)

LAST UPDATED
AUG 2018 to present

COMPLETE ASSEMBLY:

1 PIECE PLATFORM WITH 6" FIXED RAMP (MANUAL CLOSER)



1 PIECE PLATFORM WITH 6" FIXED RAMP (MANUAL CLOSER)

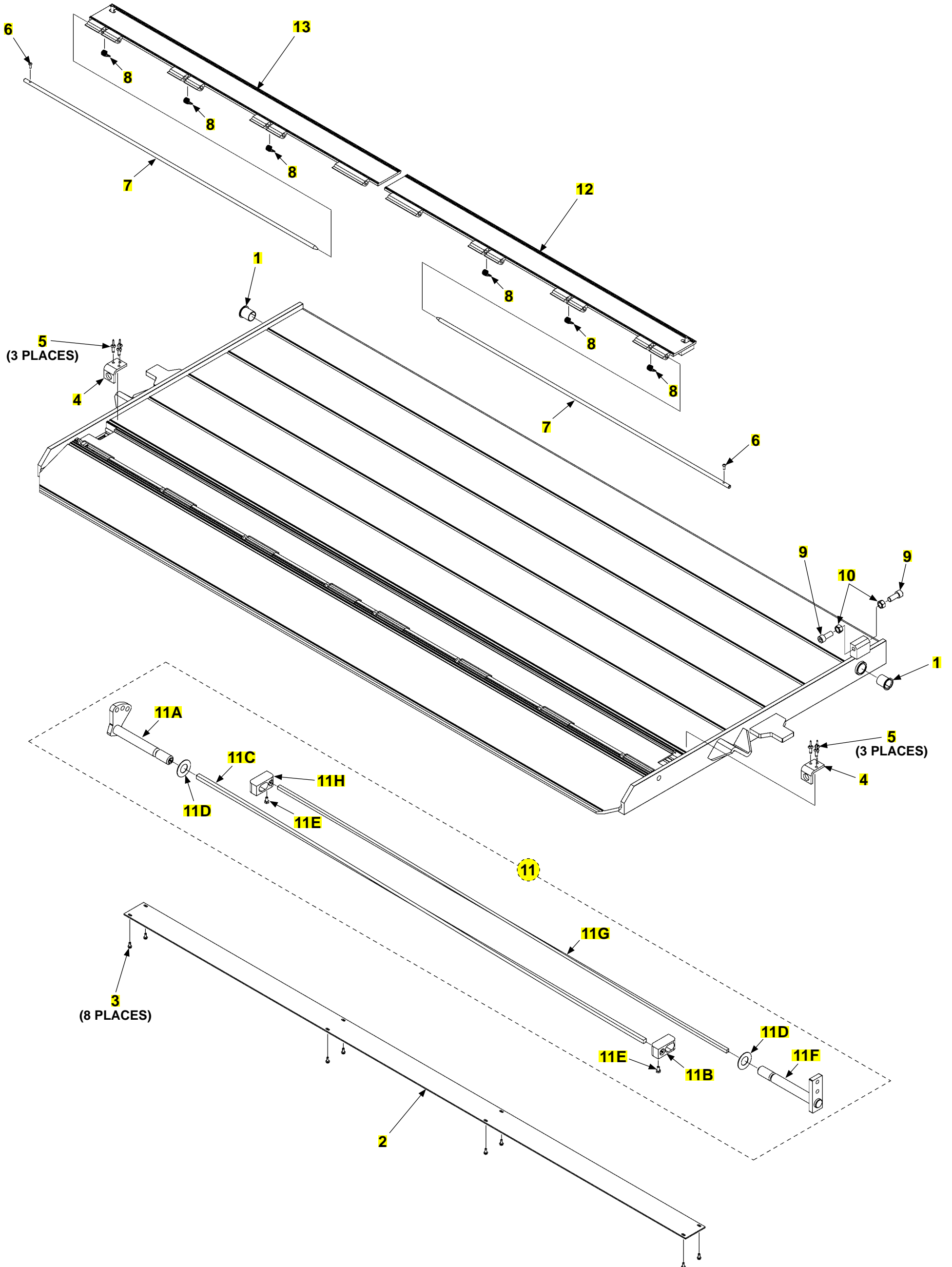
ITEM	QTY.	PART NO.	DESCRIPTION
REF	1	298390-01MG	P/F ASSY, AL, MAX GRIP, 90X36+6 FIX
		298390-02MG	P/F ASSY, AL, MAX GRIP, 90X42+6 FIX
		298390-03MG	P/F ASSY, AL, MAX GRIP, 90X48+6 FIX
		298390-04MG	P/F ASSY, AL, MAX GRIP, 96X36+6 FIX
		298390-05MG	P/F ASSY, AL, MAX GRIP, 96X42+6 FIX
		298390-06MG	P/F ASSY, AL, MAX GRIP, 96X48+6 FIX
1	2	908002-06	BEARING SELF LUB Ø1.0 IDX1.25LG
2	1	298401-01	COVER PLATE, AL. PLATFORM, 85.25" LG
		298401-02	COVER PLATE, AL. PLATFORM, 91.25" LG
3	8	030444	SCREW, TAP 10-24X1/2, F, ZC
4	2	900036-6	SCREW SOCHD .5-13UNC-2A 1.25
5	2	901011-9	NUT, HEX HEAD .500-13 UNC-2B
6	1	297687-02	7/16-3/8 TORSION BAR KIT, DMD
		297687-01	1/2-3/8 TORSION BAR KIT, DMD
6A	1	297628-01	LH PIN WELDT, 1/2"
		297753-01	LH PIN WLDMT 7/16"
6B	1	297689-01	TORSION BAR HOUSING 1/2"
		297761-01	TORSION BAR HOUSING 7/16"
6C	1	263041-01	TORSION BAR 68.75 LG
		297756-01	TORSION BAR 68.75 LG, 7/16"
6D	2	908078-01	FB THRUST BEARING 1ID
6E	2	900004-1	SCREW, CAP .25-20X.5 GR8 ZC
6F	1	297763-01	RH PIN WELDT, 3/8"
6G	1	253173-01	TORSION BAR, 3/8X68.75"LG
6H	1	297764-01	TORSION BAR HOUSING 3/8"

1 PIECE PLATFORM WITH 6" FIXED RAMP AND DUAL CART STOPS (MANUAL CLOSER)

LAST UPDATED
AUG 2018 to present

COMPLETE ASSEMBLY:

1 PIECE PLATFORM WITH 6" FIXED RAMP AND DUAL CART STOPS (MANUAL CLOSER)



**1 PIECE PLATFORM WITH 6" FIXED RAMP AND DUAL CART STOPS
(MANUAL CLOSER)**

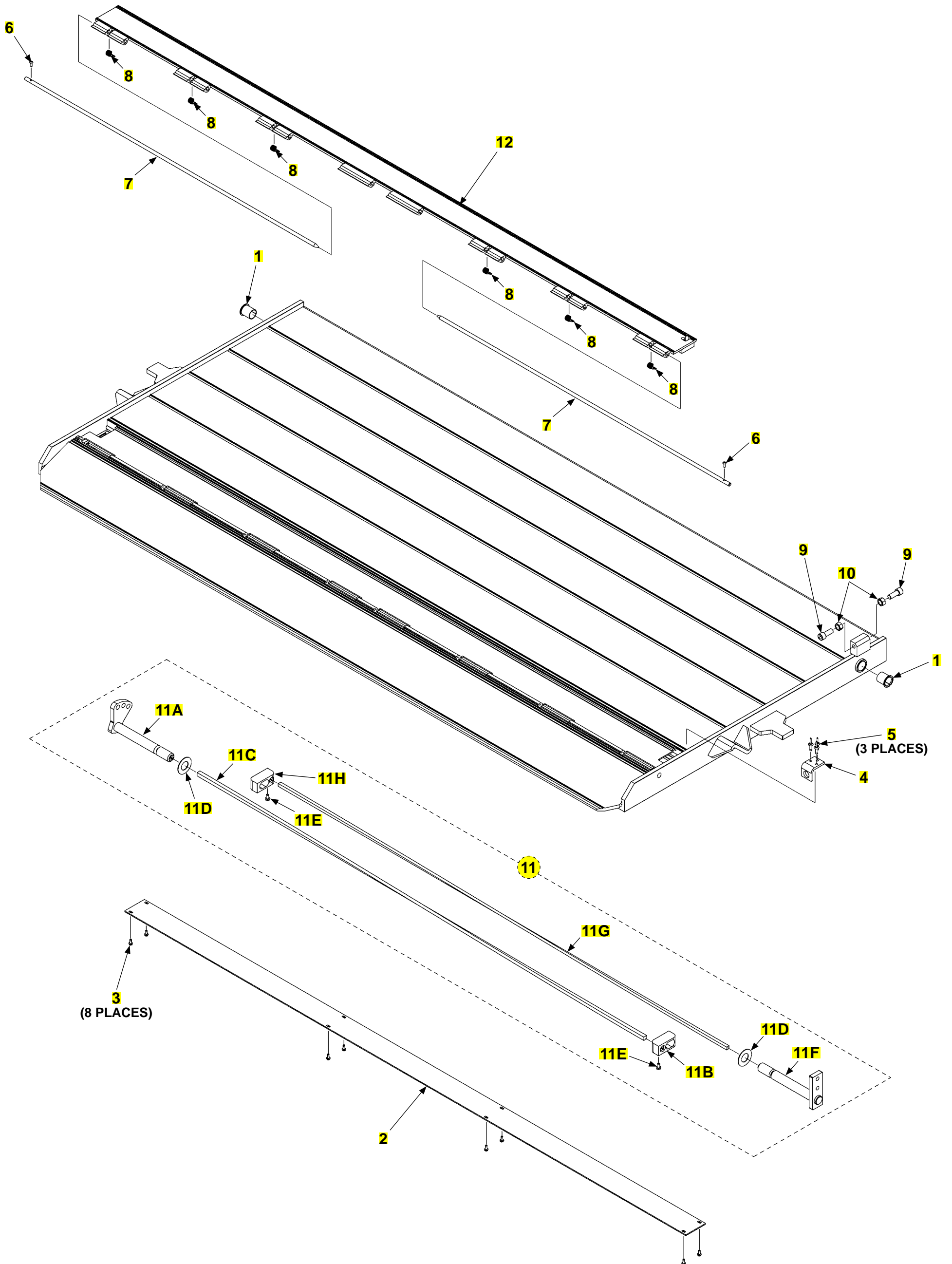
ITEM	QTY.	PART NO.	DESCRIPTION
REF	1	298400-01MG	P/F ASSY, AL, MAX GRIP, 90X36 DCS+6 FIX
		298400-02MG	P/F ASSY, AL, MAX GRIP, 90X42 DCS+6 FIX
		298400-03MG	P/F ASSY, AL, MAX GRIP, 90X48 DCS+6 FIX
		298400-04MG	P/F ASSY, AL, MAX GRIP, 96X36 DCS+6 FIX
		298400-05MG	P/F ASSY, AL, MAX GRIP, 96X42 DCS+6 FIX
		298400-06MG	P/F ASSY, AL, MAX GRIP, 96X48 DCS+6 FIX
1	2	908002-06	BEARING SELF LUB Ø1.0 IDX1.25LG
2	1	298401-01	COVER PLATE, AL. PLATFORM, 85.25" LG
		298401-02	COVER PLATE, AL. PLATFORM, 91.25" LG
3	8	030444	SCREW, TAP 10-24X1/2, F, ZC
4	2	287226-01	CATCH BRACKET
5	6	903715-04	RIVET,BL/DM,AL/AL Ø.25X.37-.5
6	2	900722-03	SCREW, BTN 10-24 X .5, SS
7	2	287443-19	PIN, CART STOP, 44.5"LG
		287443-20	PIN, CART STOP, 47.5"LG
8	6	282729-01	SPRING, C/S .08 WIRE, 302 SS
9	2	900036-6	SCREW SOCHD .5-13UNC-2A 1.25
10	2	901011-9	NUT, HEX HEAD .500-13 UNC-2B
11	1	297687-01	1/2-3/8 TORSION BAR KIT, DMD
		297687-02	7/16-3/8 TORSION BAR KIT, DMD
11A	1	297628-01	LH PIN WELDT, 1/2"
		297753-01	LH PIN WLDMT 7/16"
11B	1	297689-01	TORSION BAR HOUSING 1/2"
		297761-01	TORSION BAR HOUSING 7/16"
11C	1	263041-01	TORSION BAR 68.75 LG
		297756-01	TORSION BAR 68.75 LG, 7/16"
11D	2	908078-01	FB THRUST BEARING 11D
11E	2	900004-1	SCREW, CAP .25-20X.5 GR8 ZC
11F	1	297763-01	RH PIN WELDT, 3/8"
11G	1	253173-01	TORSION BAR, 3/8X68.75"LG
11H	1	297764-01	TORSION BAR HOUSING 3/8"
12	1	287447-108	C/S ASSY,RAMP DCS,RH,43.81"LG
		287447-110	C/S ASSY,RAMP DCS,RH,46.81"LG
13	1	287447-107	C/S ASSY,RAMP DCS,LH,43.81"LG
		287447-109	C/S ASSY,RAMP DCS,LH,46.81"L

1 PIECE PLATFORM WITH 6" FIXED RAMP AND SINGLE CART STOP
(MANUAL CLOSER)

LAST UPDATED
AUG 2018 to present

COMPLETE ASSEMBLY:

1 PIECE PLATFORM WITH 6" FIXED RAMP AND SINGLE CART STOP (MANUAL CLOSER)



**1 PIECE PLATFORM WITH 6" FIXED RAMP AND SINGLE CART STOP
(MANUAL CLOSER)**

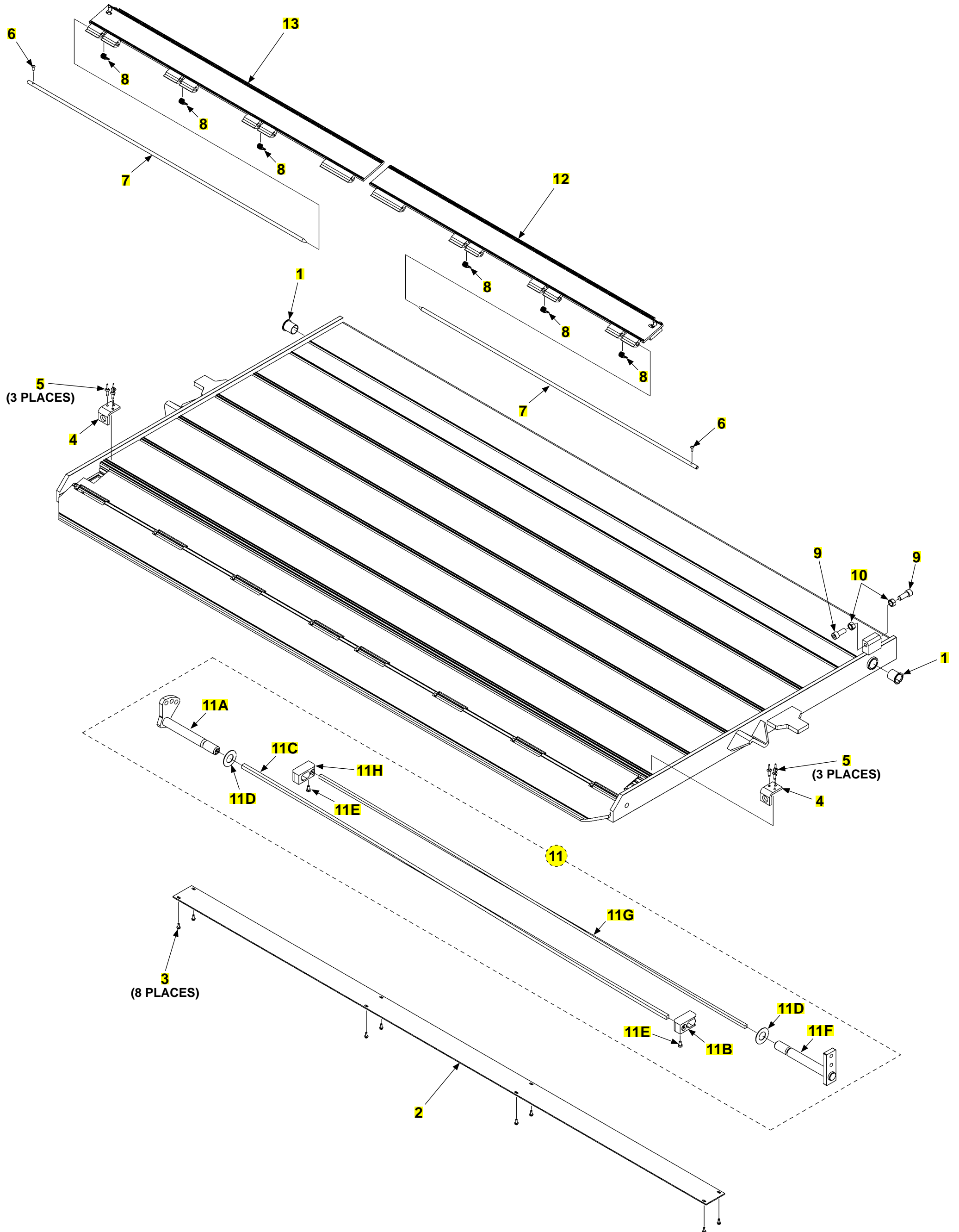
ITEM	QTY.	PART NO.	DESCRIPTION
REF	1	298400-07MG	P/F ASSY, AL, MAX GRIP, 90X36 SCS+6 FIX
		298400-08MG	P/F ASSY, AL, MAX GRIP, 90X42 SCS+6 FIX
		298400-09MG	P/F ASSY, AL, MAX GRIP, 90X48 SCS+6 FIX
		298400-10MG	P/F ASSY, AL, MAX GRIP, 96X36 SCS+6 FIX
		298400-11MG	P/F ASSY, AL, MAX GRIP, 96X42 SCS+6 FIX
		298400-12MG	P/F ASSY, AL, MAX GRIP, 96X48 SCS+6 FIX
1	2	908002-06	BEARING SELF LUB Ø1.0 IDX1.25LG
2	1	298401-01	COVER PLATE, AL. PLATFORM, 85.25" LG
		298401-02	COVER PLATE, AL. PLATFORM, 91.25" LG
3	8	030444	SCREW, TAP 10-24X1/2, F, ZC
4	1	287226-01	CATCH BRACKET
5	3	903715-04	RIVET,BL/DM,AL/AL Ø.25X.37-.5
6	2	900722-03	SCREW, BTN 10-24 X .5, SS
7	2	287443-19	PIN, CART STOP, 44.5"LG
		287443-20	PIN, CART STOP, 47.5"LG
8	6	282729-01	SPRING, C/S .08 WIRE, 302 SS
9	2	900036-6	SCREW SOCHD .5-13UNC-2A 1.25
10	2	901011-9	NUT, HEX HEAD .500-13 UNC-2B
11	1	297687-01	1/2-3/8 TORSION BAR KIT, DMD
		297687-02	7/16-3/8 TORSION BAR KIT, DMD
11A	1	297628-01	LH PIN WELDT, 1/2"
		297753-01	LH PIN WLDMT 7/16"
11B	1	297689-01	TORSION BAR HOUSING 1/2"
		297761-01	TORSION BAR HOUSING 7/16"
11C	1	263041-01	TORSION BAR 68.75 LG
		297756-01	TORSION BAR 68.75 LG, 7/16"
11D	2	908078-01	FB THRUST BEARING 11D
11E	2	900004-1	SCREW, CAP .25-20X.5 GR8 ZC
11F	1	297763-01	RH PIN WELDT, 3/8"
11G	1	253173-01	TORSION BAR, 3/8X68.75"LG
11H	1	297764-01	TORSION BAR HOUSING 3/8"
12	1	287447-153	C/S ASSY, RAMP SCS, RH, 87.81IN LG
		287447-154	C/S ASSY, RAMP SCS, RH, 93.81IN LG

1 PIECE PLATFORM WITH 9" FIXED RAMP AND DUAL CART STOPS (MANUAL CLOSER)

LAST UPDATED
AUG 2018 to present

COMPLETE ASSEMBLY:

1 PIECE PLATFORM WITH 9" FIXED RAMP AND DUAL CART STOPS (MANUAL CLOSER)



**1 PIECE PLATFORM WITH 9" FIXED RAMP AND DUAL CART STOPS
(MANUAL CLOSER)**

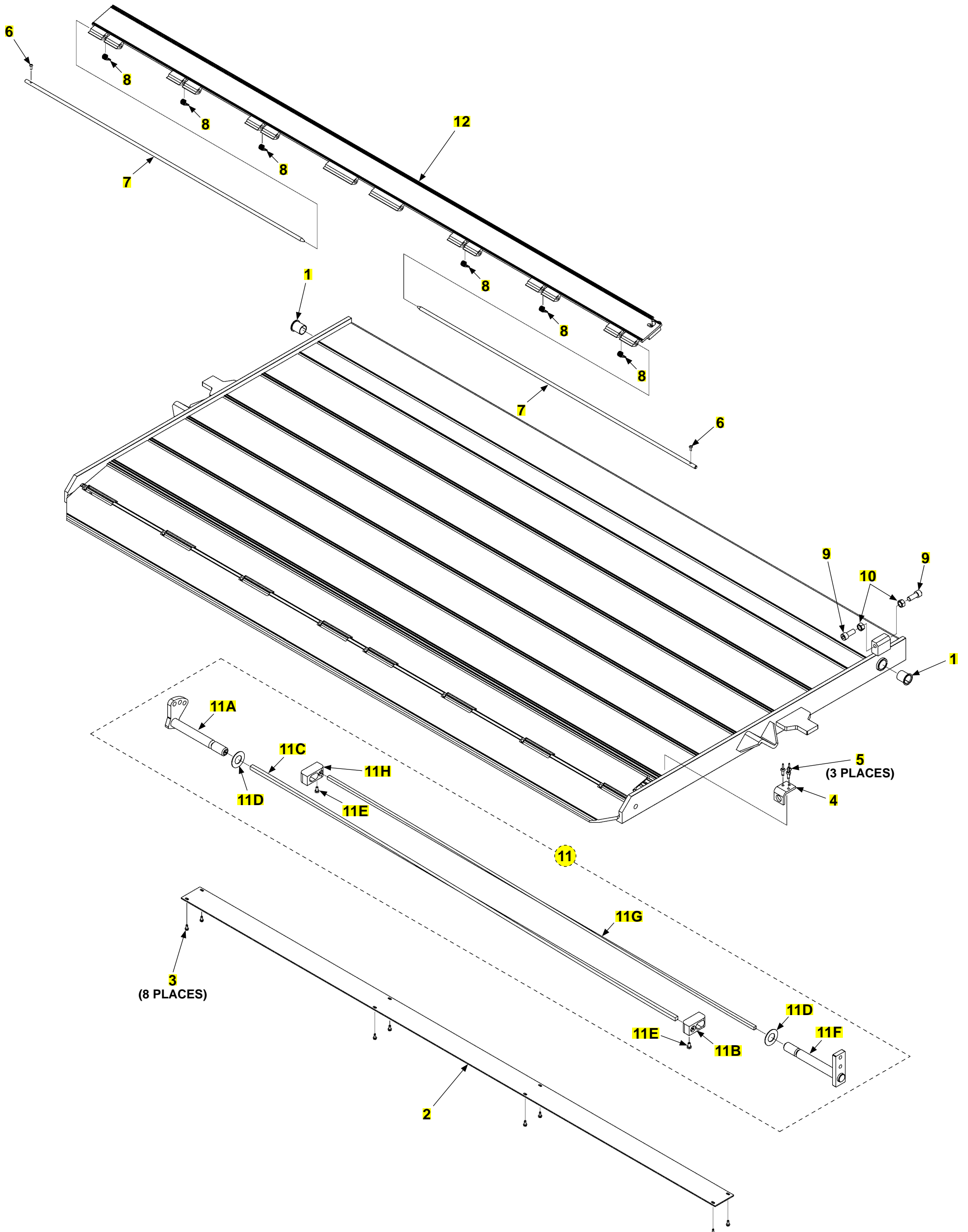
ITEM	QTY.	PART NO.	DESCRIPTION
REF	1	298405-01MG	P/F ASSY, AL, MAX GRIP, 90X39+9 DCS
		298405-02MG	P/F ASSY, AL, MAX GRIP, 90X45+9 DCS
		298405-03MG	P/F ASSY, AL, MAX GRIP, 96X39+9 DCS
		298405-04MG	P/F ASSY, AL, MAX GRIP, 96X45+9 DCS
1	2	908002-06	BEARING SELF LUB Ø1.0 IDX1.25LG
2	1	298401-01	COVER PLATE, AL. PLATFORM, 85.25" LG
		298401-02	COVER PLATE, AL. PLATFORM, 91.25" LG
3	8	030444	SCREW, TAP 10-24X1/2, F, ZC
4	2	287226-01	CATCH BRACKET
5	6	903715-04	RIVET,BL/DM,AL/AL Ø.25X.37-.5
6	2	900722-03	SCREW, BTN 10-24 X .5, SS
7	2	287443-19	PIN, CART STOP, 44.5"LG
		287443-20	PIN, CART STOP, 47.5"LG
8	6	282729-01	SPRING, C/S .08 WIRE, 302 SS
9	2	900036-6	SCREW SOCHD .5-13UNC-2A 1.25
10	2	901011-9	NUT, HEX HEAD .500-13 UNC-2B
11	1	297687-01	1/2-3/8 TORSION BAR KIT, DMD
11A	1	297628-01	LH PIN WELDT, 1/2"
11B	1	297689-01	TORSION BAR HOUSING 1/2"
11C	1	263041-01	TORSION BAR 68.75 LG
11D	2	908078-01	FB THRUST BEARING 1ID
11E	2	900004-1	SCREW, CAP .25-20X.5 GR8 ZC
11F	1	297763-01	RH PIN WELDT, 3/8"
11G	1	253173-01	TORSION BAR, 3/8X68.75"LG
11H	1	297764-01	TORSION BAR HOUSING 3/8"
12	1	287447-304	C/S ASSY, 12IN RAMP DCS, RH, 43.81IN LG
		287447-306	C/S ASSY, 12IN RAMP DCS, RH, 46.81IN LG
13	1	287447-303	C/S ASSY, 12IN RAMP DCS, LH, 43.81IN LG
		287447-305	C/S ASSY, 12IN RAMP DCS, LH, 46.81IN LG

1 PIECE PLATFORM WITH 9" FIXED RAMP AND SINGLE CART STOP (MANUAL CLOSER)

LAST UPDATED
AUG 2018 to present

COMPLETE ASSEMBLY:

1 PIECE PLATFORM WITH 9" FIXED RAMP AND SINGLE CART STOP (MANUAL CLOSER)



**1 PIECE PLATFORM WITH 9" FIXED RAMP AND SINGLE CART STOP
(MANUAL CLOSER)**

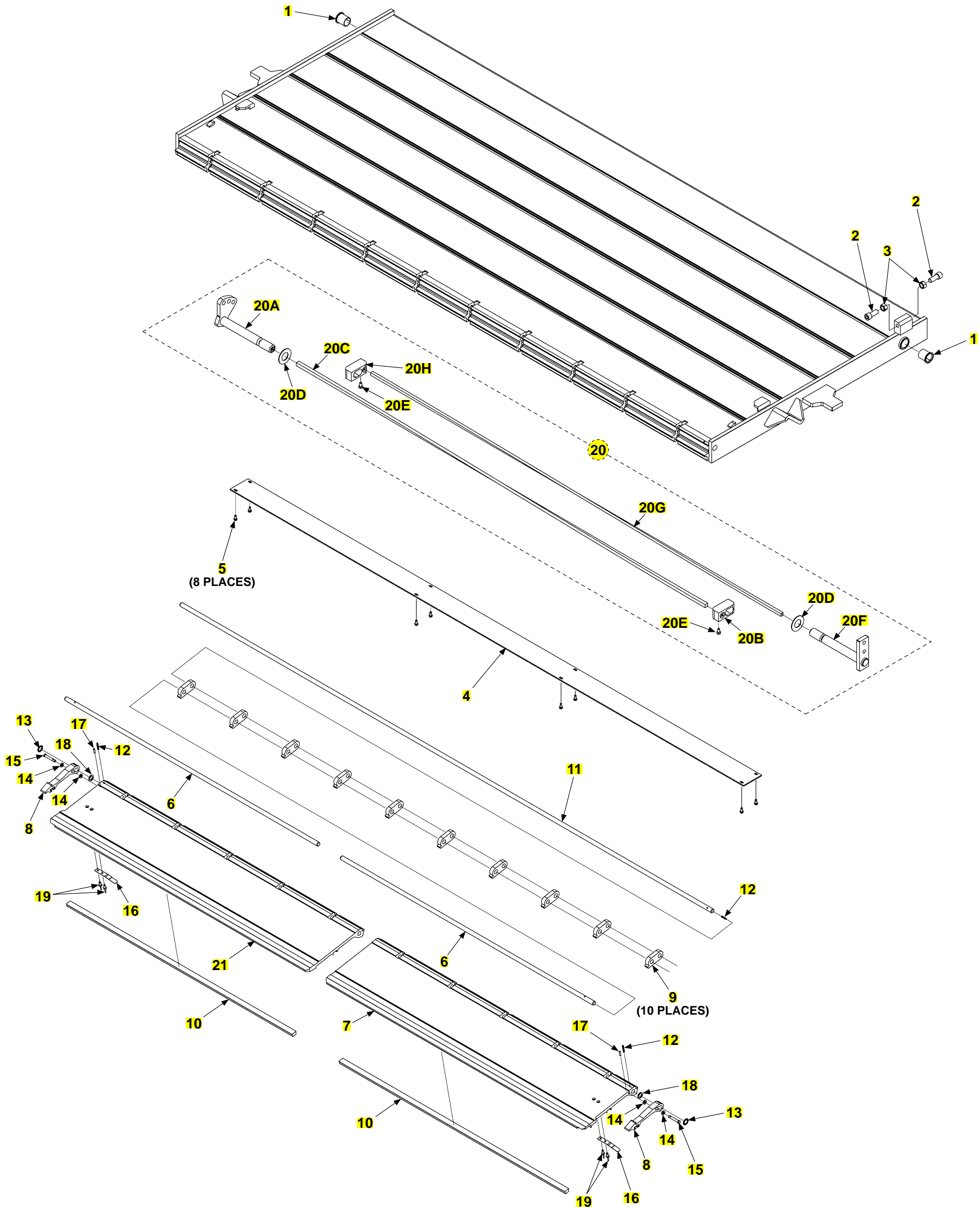
ITEM	QTY.	PART NO.	DESCRIPTION
REF	1	298405-05MG	P/F ASSY, AL, MAX GRIP, 90X39+9 SCS
		298405-06MG	P/F ASSY, AL, MAX GRIP, 90X45+9 SCS
		298405-07MG	P/F ASSY, AL, MAX GRIP, 96X39+9 SCS
		298405-08MG	P/F ASSY, AL, MAX GRIP, 96X45+9 SCS
1	2	908002-06	BEARING SELF LUB Ø1.0 IDX1.25LG
2	1	298401-01	COVER PLATE, AL. PLATFORM, 85.25" LG
		298401-02	COVER PLATE, AL. PLATFORM, 91.25" LG
3	8	030444	SCREW, TAP 10-24X1/2, F, ZC
4	1	287226-01	CATCH BRACKET
5	3	903715-04	RIVET,BL/DM,AL/AL Ø.25X.37-.5
6	2	900722-03	SCREW, BTN 10-24 X .5, SS
7	2	287443-19	PIN, CART STOP, 44.5"LG
		287443-20	PIN, CART STOP, 47.5"LG
8	6	282729-01	SPRING, C/S .08 WIRE, 302 SS
9	2	900036-6	SCREW SOCHD .5-13UNC-2A 1.25
10	2	901011-9	NUT, HEX HEAD .500-13 UNC-2B
11	1	297687-01	1/2-3/8 TORSION BAR KIT, DMD
11A	1	297628-01	LH PIN WELDT, 1/2"
11B	1	297689-01	TORSION BAR HOUSING 1/2"
11C	1	263041-01	TORSION BAR 68.75 LG
11D	2	908078-01	FB THRUST BEARING 1ID
11E	2	900004-1	SCREW, CAP .25-20X.5 GR8 ZC
11F	1	297763-01	RH PIN WELDT, 3/8"
11G	1	253173-01	TORSION BAR, 3/8X68.75"LG
11H	1	297764-01	TORSION BAR HOUSING 3/8"
12	1	287447-353	C/S ASSY, 12IN RAMP SCS, RH, 87.81IN LG
		287447-354	C/S ASSY, 12IN RAMP SCS, RH, 93.81IN LG

1 PIECE PLATFORM WITH 9" DUAL RETENTION RAMPS (MANUAL CLOSER)

LAST UPDATED
AUG 2018 to present

COMPLETE ASSEMBLY:

1 PIECE PLATFORM WITH 9" DUAL RETENTION RAMPS (MANUAL CLOSER)



**1 PIECE PLATFORM WITH 9" DUAL RETENTION RAMPS
(MANUAL CLOSER)**

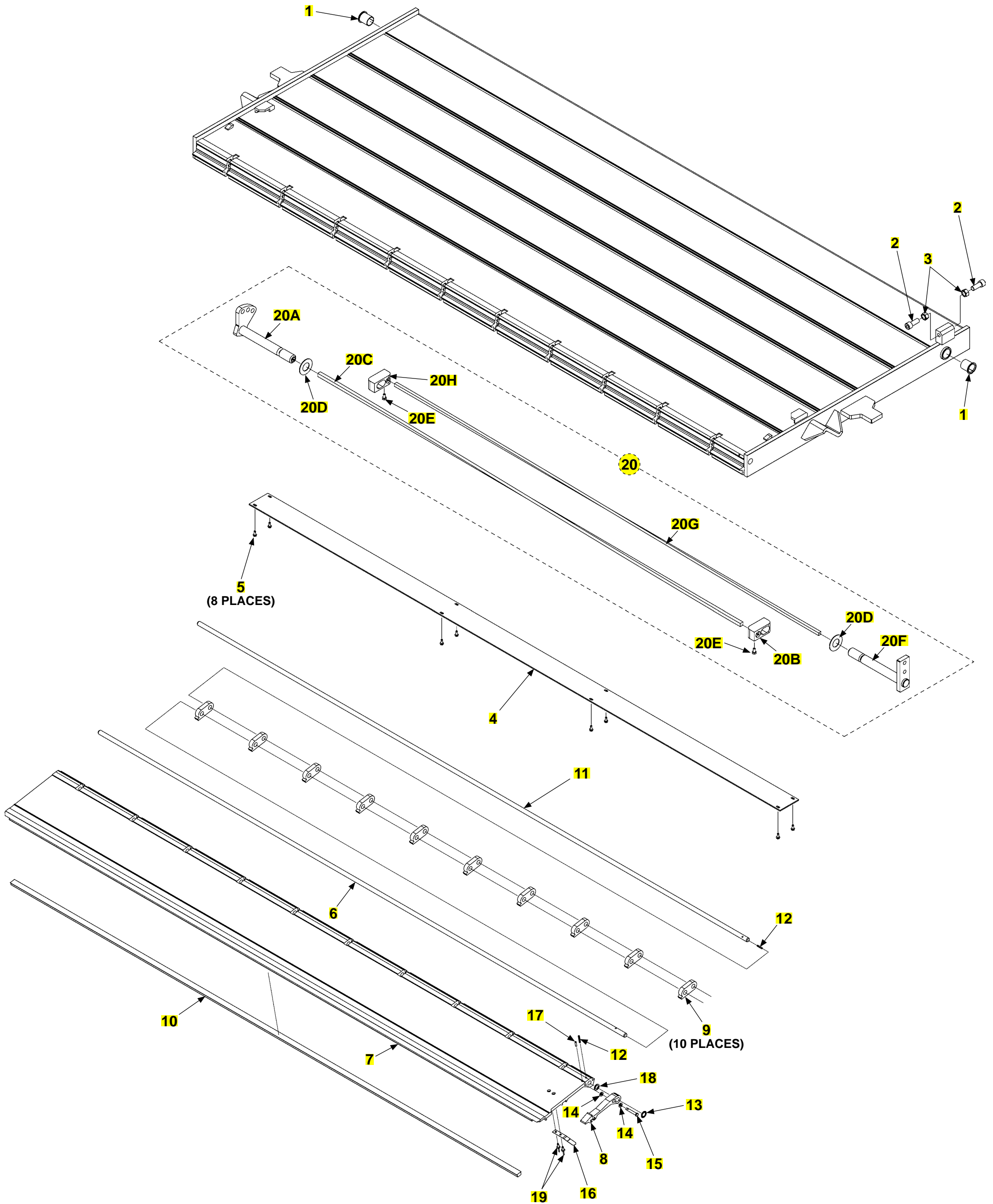
ITEM	QTY.	PART NO.	DESCRIPTION
REF	1	298425-01MG	P/F ASSY, AL, MAX GRIP, 90X36+9 DUAL ARR
		298425-02MG	P/F ASSY, AL, MAX GRIP, 90X42+9 DUAL ARR
		298425-03MG	P/F ASSY, AL, MAX GRIP, 90X48+9 DUAL ARR
		298425-04MG	P/F ASSY, AL, MAX GRIP, 96X36+9 DUAL ARR
		298425-05MG	P/F ASSY, AL, MAX GRIP, 96X42+9 DUAL ARR
		298425-06MG	P/F ASSY, AL, MAX GRIP, 96X48+9 DUAL ARR
1	2	908002-06	BEARING SELF LUB Ø1.0 IDX1.25LG
2	2	900036-6	SCREW SOCHD .5-13UNC-2A 1.25
3	2	901011-9	NUT, HEX HEAD .500-13 UNC-2
4	1	298401-01	COVER PLATE, AL. PLATFORM, 85.25" LG
		298401-02	COVER PLATE, AL. PLATFORM, 91.25IN LG
5	8	030444	SCREW, TAP 10-24X1/2, F, ZC
6	2	267045-23	ROD, HINGE .50 DIA X 42.00"LG
		267045-24	ROD, HINGE .50 DIA X 45"LG
7	1	267041-102	9IN AL. RET. RAMP, RH, 43IN LG
		267041-104	9IN AL. RET. RAMP, RH, 46IN LG
8	2	311038-11	HOOK, RETENTION RAMP
9	10	311022-10	HINGE, F/O RAMP, .50LG
10	2	905318-21	BUMPER, EXTRUSION, .56X.41X37.5
		905318-22	BUMPER, EXTRUSION, .56X.41X40.5
11	1	267045-19	ROD, HINGE .50 DIA X 88.31"LG
		267045-21	ROD, HINGE .50 DIA X 94.31"LG
12	3	905007-07	PIN, ROLL .156 X 1.00 ZINC
13	2	903420-01	RING, RETAIN., SLF/LCK .50, SS
14	4	903421-02	WASHER, 6/6 NYLON .25IDX.062TH
15	2	283951-01	CLEVIS PIN, 1/4 X 1-5/8
16	2	267326-01	SPRING, HOOK, RETENTION RAMP
17	2	905007-03	PIN, ROLL .156 X .63 ZINC
18	2	903413-02	WASHER, 6/6 NYLON .5IDX.062TH
19	4	904005-1	RIVET, BLIND SSTL DOME .187X.44
20	1	297687-01	1/2-3/8 TORSION BAR KIT, DMD
		297687-02	7/16-3/8 TORSION BAR KIT, DMD
20A	1	297628-01	LH PIN WELDT, 1/2"
		297753-01	LH PIN WLDMT 7/16"
20B	1	297689-01	TORSION BAR HOUSING 1/2"
		297761-01	TORSION BAR HOUSING 7/16"
20C	1	263041-01	TORSION BAR 68.75 LG
		297756-01	TORSION BAR 68.75 LG, 7/16"
20D	2	908078-01	FB THRUST BEARING 1ID
20E	2	900004-1	SCREW, CAP .25-20X.5 GR8 ZC
20F	1	297763-01	RH PIN WELDT, 3/8"
20G	1	253173-01	TORSION BAR, 3/8X68.75"LG
20H	1	297764-01	TORSION BAR HOUSING 3/8"
21	1	267041-101	9IN AL. RET. RAMP, LH, 43IN LG
		267041-103	9IN AL. RET. RAMP, LH, 46IN LG

1 PIECE PLATFORM WITH 9" SINGLE RETENTION RAMP (MANUAL CLOSER)

LAST UPDATED
AUG 2018 to present

COMPLETE ASSEMBLY:

1 PIECE PLATFORM WITH 9" SINGLE RETENTION RAMP (MANUAL CLOSER)



**1 PIECE PLATFORM WITH 9" SINGLE RETENTION RAMP
(MANUAL CLOSER)**

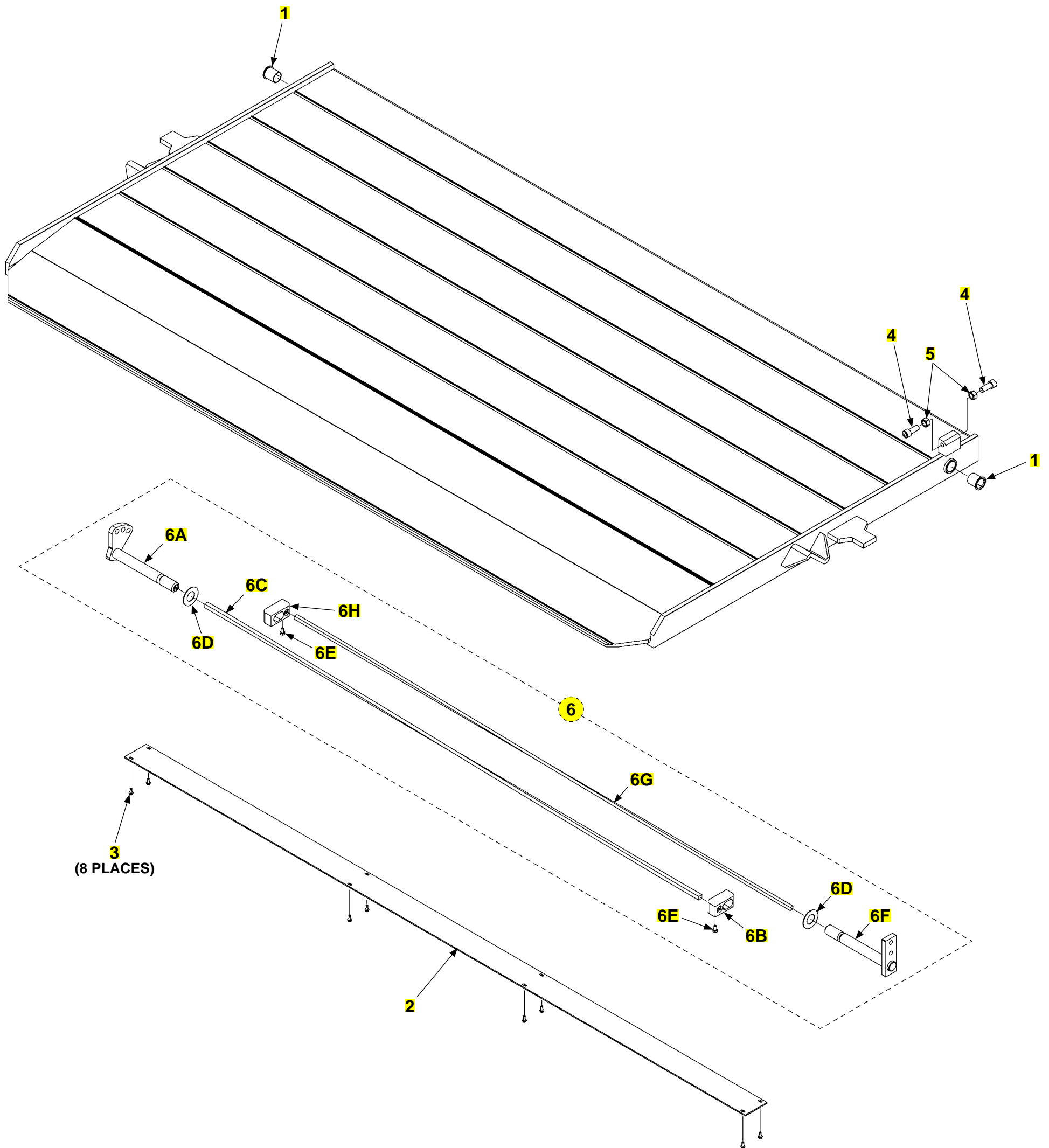
ITEM	QTY.	PART NO.	DESCRIPTION
REF	1	298425-07MG	P/F ASSY, AL, MAX GRIP, 90X36+9 SINGLE ARR
		298425-08MG	P/F ASSY, AL, MAX GRIP, 90X42+9 SINGLE ARR
		298425-09MG	P/F ASSY, AL, MAX GRIP, 90X48+9 SINGLE ARR
		298425-10MG	P/F ASSY, AL, MAX GRIP, 96X36+9 SINGLE ARR
		298425-11MG	P/F ASSY, AL, MAX GRIP, 96X42+9 SINGLE ARR
		298425-12MG	P/F ASSY, AL, MAX GRIP, 96X48+9 SINGLE ARR
1	2	908002-06	BEARING SELF LUB Ø1.0 IDX1.25LG
2	2	900036-6	SCREW SOCHD .5-13UNC-2A 1.25
3	2	901011-9	NUT, HEX HEAD .500-13 UNC-2
4	1	298401-01	COVER PLATE, AL. PLATFORM, 85.25" LG
		298401-02	COVER PLATE, AL. PLATFORM, 91.25IN LG
5	8	030444	SCREW, TAP 10-24X1/2, F, ZC
6	1	267045-03	ROD,HINGE.50 DIA X84.56LG
		267045-38	ROD, HINGE .50 DIA X 92.50 LG
7	1	267041-105	9IN AL. RET. RAMP, RH, 85.94IN LG
		267041-106	9IN AL. RET. RAMP, RH, 91.94IN LG
8	1	311038-11	HOOK, RETENTION RAMP
9	10	311022-10	HINGE, F/O RAMP, .50LG
10	1	905318-18	BUMPER, EXTRUSION, .56X.41X81.38
		905318-19	BUMPER, EXTRUSION, .56X.41X87.38
11	1	267045-19	ROD, HINGE .50 DIA X 88.31"LG
		267045-21	ROD, HINGE .50 DIA X 94.31"LG
12	2	905007-07	PIN, ROLL .156 X 1.00 ZINC
13	1	903420-01	RING, RETAIN., SLF/LCK .50, SS
14	2	903421-02	WASHER, 6/6 NYLON .25IDX.062TH
15	1	283951-01	CLEVIS PIN, 1/4 X 1-5/8
16	1	267326-01	SPRING, HOOK, RETENTION RAMP
17	1	905007-03	PIN, ROLL .156 X .63 ZINC
18	1	903413-02	WASHER, 6/6 NYLON .5IDX.062TH
19	2	904005-1	RIVET,BLIND SSTL DOME .187X.44
20	1	297687-01	1/2-3/8 TORSION BAR KIT, DMD
		297687-02	7/16-3/8 TORSION BAR KIT, DMD
20A	1	297628-01	LH PIN WELDT, 1/2"
		297753-01	LH PIN WLDMT 7/16"
20B	1	297689-01	TORSION BAR HOUSING 1/2"
		297761-01	TORSION BAR HOUSING 7/16"
20C	1	263041-01	TORSION BAR 68.75 LG
		297756-01	TORSION BAR 68.75 LG, 7/16"
20D	2	908078-01	FB THRUST BEARING 1ID
20E	2	900004-1	SCREW, CAP .25-20X.5 GR8 ZC
20F	1	297763-01	RH PIN WELDT, 3/8"
20G	1	253173-01	TORSION BAR, 3/8X68.75"LG
20H	1	297764-01	TORSION BAR HOUSING 3/8"

1 PIECE PLATFORM WITH 12" FIXED RAMP
(MANUAL CLOSER)

LAST UPDATED
AUG 2018 to present

COMPLETE ASSEMBLY:

1 PIECE PLATFORM WITH 12" FIXED RAMP (MANUAL CLOSER)



**1 PIECE PLATFORM WITH 12" FIXED RAMP
(MANUAL CLOSER)**

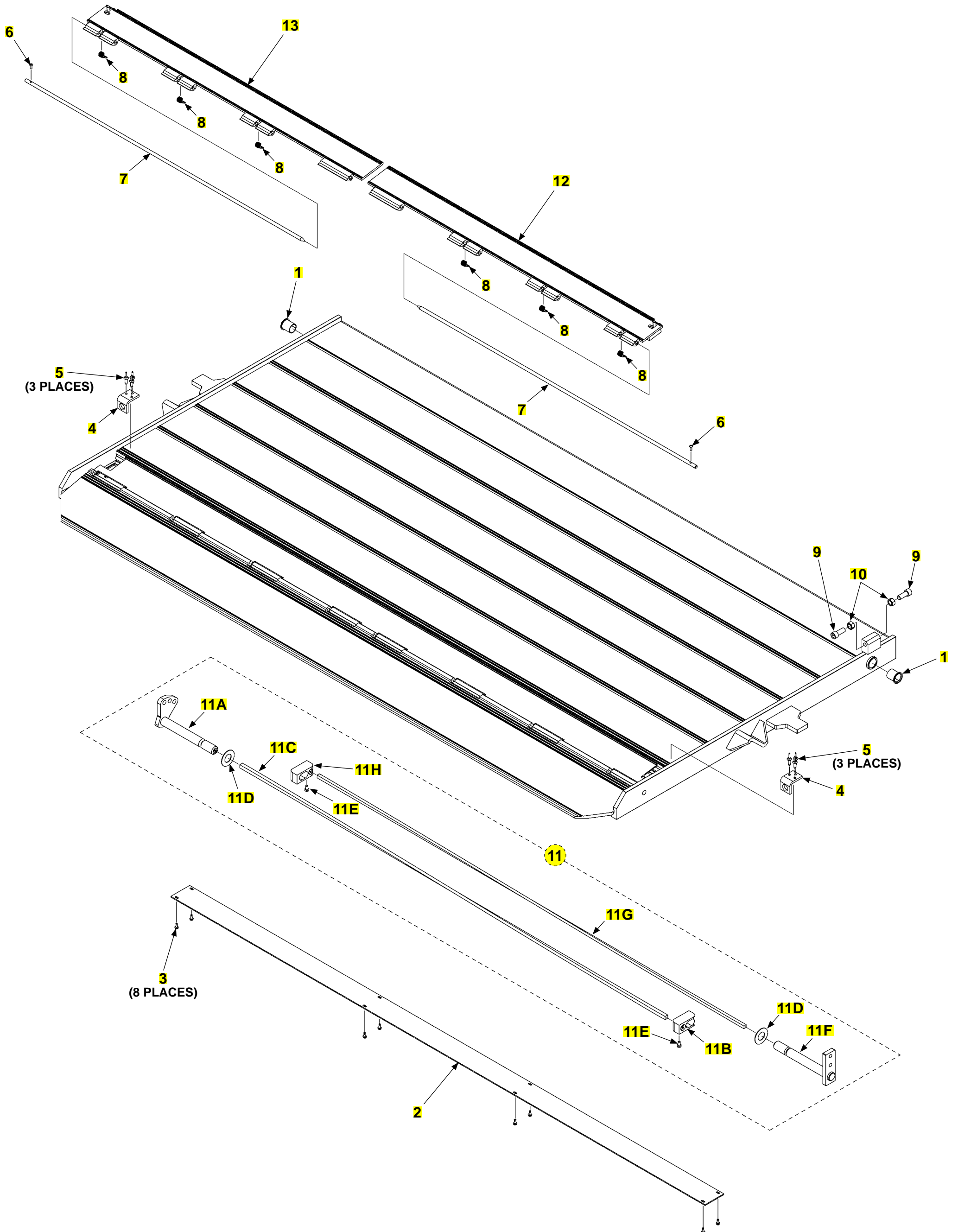
ITEM	QTY.	PART NO.	DESCRIPTION
REF	1	298420-01MG	P/F ASSY, AL, MAX GRIP, 90X36+12 FIX
		298420-02MG	P/F ASSY, AL, MAX GRIP, 90X42+12 FIX
		298420-03MG	P/F ASSY, AL, MAX GRIP, 96X36+12 FIX
		298420-04MG	P/F ASSY, AL, MAX GRIP, 96X42+12 FIX
1	2	908002-06	BEARING SELF LUB Ø1.0 IDX1.25LG
2	1	298401-01	COVER PLATE, AL. PLATFORM, 85.25" LG
		298401-02	COVER PLATE, AL. PLATFORM, 91.25" LG
3	8	030444	SCREW, TAP 10-24X1/2, F, ZC
4	2	900036-6	SCREW SOCHD .5-13UNC-2A 1.25
5	2	901011-9	NUT, HEX HEAD .500-13 UNC-2B
6	1	297687-01	1/2-3/8 TORSION BAR KIT, DMD
		297687-02	7/16-3/8 TORSION BAR KIT, DMD
6A	1	297628-01	LH PIN WELDT, 1/2"
		297753-01	LH PIN WLDMT 7/16"
6B	1	297689-01	TORSION BAR HOUSING 1/2"
		297761-01	TORSION BAR HOUSING 7/16"
6C	1	263041-01	TORSION BAR 68.75 LG
		297756-01	TORSION BAR 68.75 LG, 7/16"
6D	2	908078-01	FB THRUST BEARING 1ID
6E	2	900004-1	SCREW, CAP .25-20X.5 GR8 ZC
6F	1	297763-01	RH PIN WELDT, 3/8"
6G	1	253173-01	TORSION BAR, 3/8X68.75"LG
6H	1	297764-01	TORSION BAR HOUSING 3/8"

1 PIECE PLATFORM WITH 12" FIXED RAMP AND DUAL CART STOPS (MANUAL CLOSER)

LAST UPDATED
AUG 2018 to present

COMPLETE ASSEMBLY:

1 PIECE PLATFORM WITH 12" FIXED RAMP AND DUAL CART STOPS (MANUAL CLOSER)



**1 PIECE PLATFORM WITH 12" FIXED RAMP AND DUAL CART STOPS
(MANUAL CLOSER)**

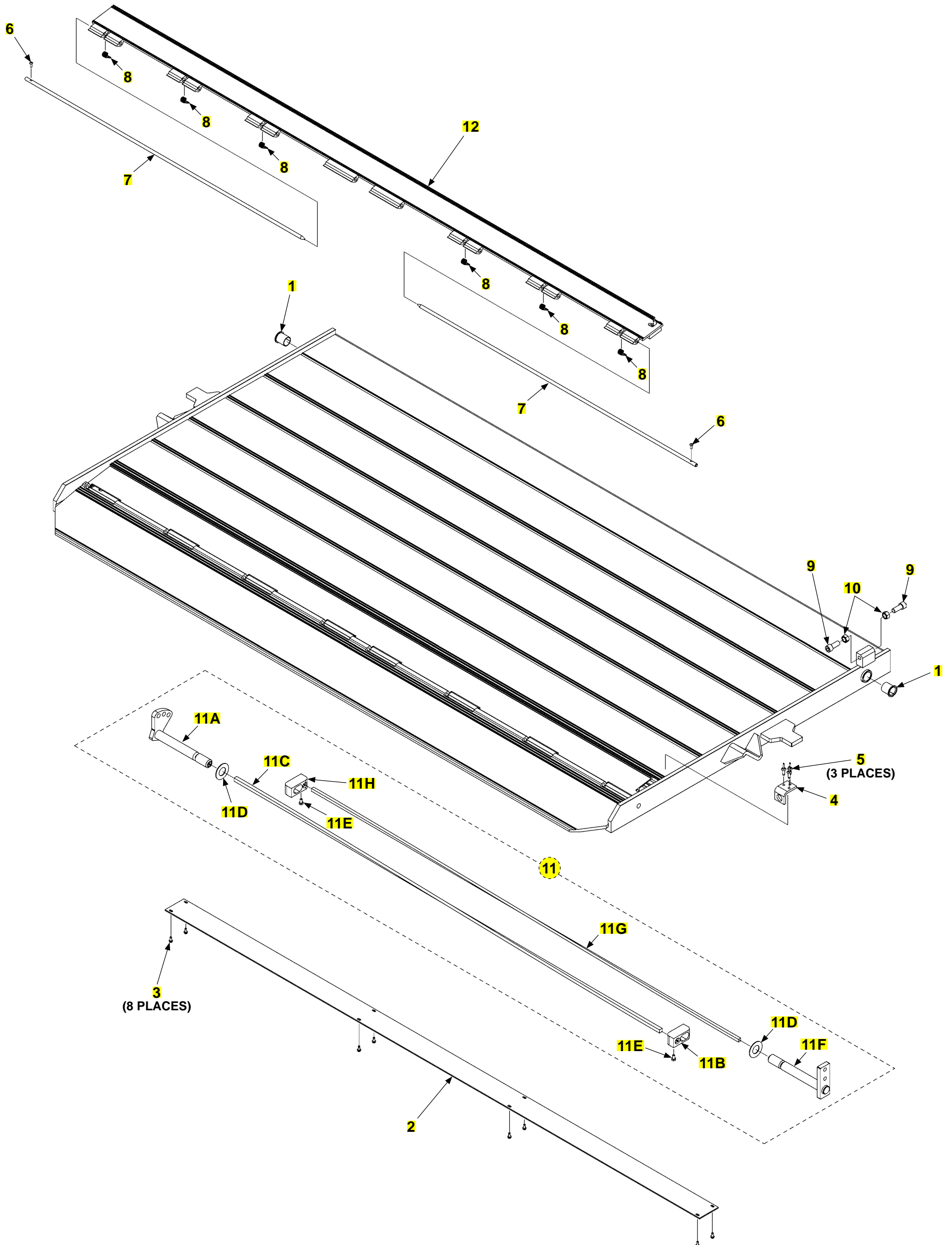
ITEM	QTY.	PART NO.	DESCRIPTION
REF	1	298415-01MG	P/F ASSY, AL, MAX GRIP, 90X36+12 DCS
		298415-02MG	P/F ASSY, AL, MAX GRIP, 90X42+12 DCS
		298415-03MG	P/F ASSY, AL, MAX GRIP, 96X36+12 DCS
		298415-04MG	P/F ASSY, AL, MAX GRIP, 96X42+12 DCS
1	2	908002-06	BEARING SELF LUB Ø1.0 IDX1.25LG
2	1	298401-01	COVER PLATE, AL. PLATFORM, 85.25" LG
		298401-02	COVER PLATE, AL. PLATFORM, 91.25" LG
3	8	030444	SCREW, TAP 10-24X1/2, F, ZC
4	2	287226-01	CATCH BRACKET
5	6	903715-04	RIVET,BL/DM,AL/AL Ø.25X.37-.5
6	2	900722-03	SCREW, BTN 10-24 X .5, SS
7	2	287443-19	PIN, CART STOP, 44.5"LG
		287443-20	PIN, CART STOP, 47.5"LG
8	6	282729-01	SPRING, C/S .08 WIRE, 302 SS
9	2	900036-6	SCREW SOCHD .5-13UNC-2A 1.25
10	2	901011-9	NUT, HEX HEAD .500-13 UNC-2B
11	1	297687-01	1/2-3/8 TORSION BAR KIT, DMD
		297687-02	7/16-3/8 TORSION BAR KIT, DMD
11A	1	297628-01	LH PIN WELDT, 1/2"
		297753-01	LH PIN WLDMT 7/16"
11B	1	297689-01	TORSION BAR HOUSING 1/2"
		297761-01	TORSION BAR HOUSING 7/16"
11C	1	263041-01	TORSION BAR 68.75 LG
		297756-01	TORSION BAR 68.75 LG, 7/16"
11D	2	908078-01	FB THRUST BEARING 1ID
11E	2	900004-1	SCREW, CAP .25-20X.5 GR8 ZC
11F	1	297763-01	RH PIN WELDT, 3/8"
11G	1	253173-01	TORSION BAR, 3/8X68.75"LG
11H	1	297764-01	TORSION BAR HOUSING 3/8"
12	1	287447-304	C/S ASSY, 12IN RAMP DCS, RH, 43.81IN LG
		287447-306	C/S ASSY, 12IN RAMP DCS, RH, 46.81IN LG
13	1	287447-303	C/S ASSY, 12IN RAMP DCS, LH, 43.81IN LG
		287447-305	C/S ASSY, 12IN RAMP DCS, LH, 46.81IN LG

**1 PIECE PLATFORM WITH 12" FIXED RAMP AND SINGLE CART STOP
(MANUAL CLOSER)**

**LAST UPDATED
AUG 2018 to present**

COMPLETE ASSEMBLY:

1 PIECE PLATFORM WITH 12" FIXED RAMP AND SINGLE CART STOP (MANUAL CLOSER)



**1 PIECE PLATFORM WITH 12" FIXED RAMP AND SINGLE CART STOP
(MANUAL CLOSER)**

ITEM	QTY.	PART NO.	DESCRIPTION
REF	1	298415-05MG	P/F ASSY, AL, MAX GRIP, 90X36+12 SCS
		298415-06MG	P/F ASSY, AL, MAX GRIP, 90X42+12 SCS
		298415-07MG	P/F ASSY, AL, MAX GRIP, 96X36+12 SCS
		298415-08MG	P/F ASSY, AL, MAX GRIP, 96X42+12 SCS
1	2	908002-06	BEARING SELF LUB Ø1.0 IDX1.25LG
2	1	298401-01	COVER PLATE, AL. PLATFORM, 85.25" LG
		298401-02	COVER PLATE, AL. PLATFORM, 91.25" LG
3	8	030444	SCREW, TAP 10-24X1/2, F, ZC
4	1	287226-01	CATCH BRACKET
5	3	903715-04	RIVET,BL/DM,AL/AL Ø.25X.37-.5
6	2	900722-03	SCREW, BTN 10-24 X .5, SS
7	2	287443-19	PIN, CART STOP, 44.5"LG
		287443-20	PIN, CART STOP, 47.5"LG
8	6	282729-01	SPRING, C/S .08 WIRE, 302 SS
9	2	900036-6	SCREW SOCHD .5-13UNC-2A 1.25
10	2	901011-9	NUT, HEX HEAD .500-13 UNC-2B
11	1	297687-01	1/2-3/8 TORSION BAR KIT, DMD
		297687-02	7/16-3/8 TORSION BAR KIT, DMD
11A	1	297628-01	LH PIN WELDT, 1/2"
		297753-01	LH PIN WLDMT 7/16"
11B	1	297689-01	TORSION BAR HOUSING 1/2"
		297761-01	TORSION BAR HOUSING 7/16"
11C	1	263041-01	TORSION BAR 68.75 LG
		297756-01	TORSION BAR 68.75 LG, 7/16"
11D	2	908078-01	FB THRUST BEARING 1ID
11E	2	900004-1	SCREW, CAP .25-20X.5 GR8 ZC
11F	1	297763-01	RH PIN WELDT, 3/8"
11G	1	253173-01	TORSION BAR, 3/8X68.75"LG
11H	1	297764-01	TORSION BAR HOUSING 3/8"
12	1	287447-353	C/S ASSY, 12IN RAMP SCS, RH, 87.81IN LG
		287447-354	C/S ASSY, 12IN RAMP SCS, RH, 93.81IN LG

**2 PIECE ALUMINUM PLATFORM ASSEMBLY WITH NO FLIPOVER TORSION BAR
(MANUAL CLOSER)**

ITEM	QTY.	PART NO.	DESCRIPTION
REF-6	1	298445-01MG	P/F ASSY, AL, MAX GRIP, 90X48(30+18+6 FIX)
		298445-02MG	P/F ASSY, AL, MAX GRIP, 90X54(33+21+6 FIX)
		298445-03MG	P/F ASSY, AL, MAX GRIP, 90X60(36+24+6 FIX)
		298445-04MG	P/F ASSY, AL, MAX GRIP, 90X66(39+27+6 FIX)
		298445-05MG	P/F ASSY, AL, MAX GRIP, 90X72(42+30+6 FIX)
		298445-06MG	P/F ASSY, AL, MAX GRIP, 96X48(30+18+6 FIX)
		298445-07MG	P/F ASSY, AL, MAX GRIP, 96X54(33+21+6 FIX)
		298445-08MG	P/F ASSY, AL, MAX GRIP, 96X60(36+24+6 FIX)
		298445-09MG	P/F ASSY, AL, MAX GRIP, 96X66(39+27+6 FIX)
		298445-10MG	P/F ASSY, AL, MAX GRIP, 96X72(42+30+6 FIX)
		298550-01MG	P/F ASSY, AL, MAX GRIP, 90X48(30+18 DCS+6 FIX)
		298550-02MG	P/F ASSY, AL, MAX GRIP, 90X54(33+21 DCS+6 FIX)
		298550-03MG	P/F ASSY, AL, MAX GRIP, 90X60(36+24 DCS+6 FIX)
		298550-04MG	P/F ASSY, AL, MAX GRIP, 90X66(39+27 DCS+6 FIX)
		298550-05MG	P/F ASSY, AL, MAX GRIP, 90X72(42+30 DCS+6 FIX)
		298550-06MG	P/F ASSY, AL, MAX GRIP, 96X48(30+18 DCS+6 FIX)
		298550-07MG	P/F ASSY, AL, MAX GRIP, 96X54(33+21 DCS+6 FIX)
		298550-08MG	P/F ASSY, AL, MAX GRIP, 96X60(36+24 DCS+6 FIX)
		298550-09MG	P/F ASSY, AL, MAX GRIP, 96X66(39+27 DCS+6 FIX)
		298550-10MG	P/F ASSY, AL, MAX GRIP, 96X72(42+30 DCS+6 FIX)
REF-12	1	298545-01MG	P/F ASSY, AL, MAX GRIP, 90X42(30+12+12 FIX)
		298545-02MG	P/F ASSY, AL, MAX GRIP, 90X48(33+15+12 FIX)
		298545-03MG	P/F ASSY, AL, MAX GRIP, 90X54(36+18+12 FIX)
		298545-04MG	P/F ASSY, AL, MAX GRIP, 90X60(39+21+12 FIX)
		298545-05MG	P/F ASSY, AL, MAX GRIP, 90X66(42+24+12 FIX)
		298545-06MG	P/F ASSY, AL, MAX GRIP, 96X42(30+12+12 FIX)
		298545-07MG	P/F ASSY, AL, MAX GRIP, 96X48(33+15+12 FIX)
		298545-08MG	P/F ASSY, AL, MAX GRIP, 96X54(36+18+12 FIX)
		298545-09MG	P/F ASSY, AL, MAX GRIP, 96X60(39+21+12 FIX)
		298545-10MG	P/F ASSY, AL, MAX GRIP, 96X66(42+24+12 FIX)
		298395-01MG	P/F ASSY, AL, MAX GRIP, 90X42(30+12+12 DCS)
		298395-02MG	P/F ASSY, AL, MAX GRIP, 90X48(33+15+12 DCS)
		298395-03MG	P/F ASSY, AL, MAX GRIP, 90X54(36+18+12 DCS)
		298395-04MG	P/F ASSY, AL, MAX GRIP, 90X60(39+21+12 DCS)
		298395-05MG	P/F ASSY, AL, MAX GRIP, 90X66(42+24+12 DCS)
		298395-06MG	P/F ASSY, AL, MAX GRIP, 96X42(30+12+12 DCS)
		298395-07MG	P/F ASSY, AL, MAX GRIP, 96X48(33+15+12 DCS)
		298395-08MG	P/F ASSY, AL, MAX GRIP, 96X54(36+18+12 DCS)
		298395-09MG	P/F ASSY, AL, MAX GRIP, 96X60(39+21+12 DCS)
		298395-10MG	P/F ASSY, AL, MAX GRIP, 96X66(42+24+12 DCS)
298395-11MG	P/F ASSY, AL, MAX GRIP, 90X42(30+12+12 SCS)		
298395-12MG	P/F ASSY, AL, MAX GRIP, 90X48(33+15+12 SCS)		
298395-13MG	P/F ASSY, AL, MAX GRIP, 90X54(36+18+12 SCS)		
298395-14MG	P/F ASSY, AL, MAX GRIP, 90X60(39+21+12 SCS)		
298395-15MG	P/F ASSY, AL, MAX GRIP, 90X66(42+24+12 SCS)		
298395-16MG	P/F ASSY, AL, MAX GRIP, 96X42(30+12+12 SCS)		
298395-17MG	P/F ASSY, AL, MAX GRIP, 96X48(33+15+12 SCS)		
298395-18MG	P/F ASSY, AL, MAX GRIP, 96X54(36+18+12 SCS)		
298395-19MG	P/F ASSY, AL, MAX GRIP, 96X60(39+21+12 SCS)		
298395-20MG	P/F ASSY, AL, MAX GRIP, 96X66(42+24+12 SCS)		

**2 PIECE ALUMINUM PLATFORM ASSEMBLY WITH NO FLIPOVER TORSION BAR
(MANUAL CLOSER) - Continued**

ITEM	QTY.	PART NO.	DESCRIPTION
1	1	298402-01MG	P/F WLDMT, AL 2-PC, 90 X 30, MG
		298402-02MG	P/F WLDMT, AL 2-PC, 90 X 33, MG
		298402-03MG	P/F WLDMT, AL 2-PC, 90 X 36, MG
		298402-04MG	P/F WLDMT, AL 2-PC, 90 X 39, MG
		298402-05MG	P/F WLDMT, AL 2-PC, 90 X 42, MG
		298402-06MG	P/F WLDMT, AL 2-PC, 96 X 30, MG
		298402-07MG	P/F WLDMT, AL 2-PC, 96 X 33, MG
		298402-08MG	P/F WLDMT, AL 2-PC, 96 X 36, MG
		298402-09MG	P/F WLDMT, AL 2-PC, 96 X 39, MG
		298402-10MG	P/F WLDMT, AL 2-PC, 96 X 42, MG
2	1	298567-01MG	F/O WLDMT, AL 85X(18+6 FIX),MG
		298567-02MG	F/O WLDMT, AL 85X(21+6 FIX),MG
		298567-03MG	F/O WLDMT, AL 85X(24+6 FIX),MG
		298567-04MG	F/O WLDMT, AL 85X(27+6 FIX),MG
		298567-05MG	F/O WLDMT, AL 85X(30+6 FIX),MG
		298567-06MG	F/O WLDMT, AL 91X(18+6 FIX),MG
		298567-07MG	F/O WLDMT, AL 91X(21+6 FIX),MG
		298567-08MG	F/O WLDMT, AL 91X(24+6 FIX),MG
		298567-09MG	F/O WLDMT, AL 91X(27+6 FIX),MG
		298567-10MG	F/O WLDMT, AL 91X(30+6 FIX),MG
		298566-01MG	F/O WLDMT, AL 85X(12+12 FIX),MG
		298566-02MG	F/O WLDMT, AL 85X(15+12 FIX),MG
		298566-03MG	F/O WLDMT, AL 85X(18+12 FIX),MG
		298566-04MG	F/O WLDMT, AL 85X(21+12 FIX),MG
		298566-05MG	F/O WLDMT, AL 85X(24+12 FIX),MG
		298566-06MG	F/O WLDMT, AL 91X(12+12 FIX),MG
		298566-07MG	F/O WLDMT, AL 91X(15+12 FIX),MG
		298566-08MG	F/O WLDMT, AL 91X(18+12 FIX),MG
		298566-09MG	F/O WLDMT, AL 91X(21+12 FIX),MG
		298566-10MG	F/O WLDMT, AL 91X(24+12 FIX),MG
3	2	908002-06	BEARING SELF LUB Ø1.0 IDX1.25LG
4	1	298401-01	COVER PLATE, AL. PLATFORM, 85.25" LG
		298401-02	COVER PLATE, AL. PLATFORM, 91.25" LG
5	8	030444	SCREW, TAP 10-24X1/2, F, ZC
6	2	298417-01	PIN .75 O.D. X 2.63 LG.
7	2	905033-4	ROLL PIN .250 O.D.X1.75"LG
8	2	900036-6	SCREW SOCHD .5-13UNC-2A 1.25
9	2	901011-9	NUT, HEX HEAD .500-13 UNC-2B
10	1	298426-01	LATCH CATCHER, 2-PC PF, DMD
11	2	900763-04	SCREW, BTN .31-18 X .75, SS
12	2	902019-4	WASHER,LOCK S/ST .583ODX.322ID
13	2	260917-01	BEARING, SELF LUBE .75IDX.75
14	1	298424-01	HOOK, FO LATCH,2-PC PF DMD
15	1	282749-02	SPRING,RH HOOK, .078 WIRE, 302 SS

**2 PIECE ALUMINUM PLATFORM ASSEMBLY WITH NO FLIPOVER TORSION BAR
(MANUAL CLOSER) - Continued**

ITEM	QTY.	PART NO.	DESCRIPTION
16	1	900723-05	SCREW, SHLDR.38 X .75LG, SS
17	1	902000-9	WASHER, FLAT .375 X.032 THK
18	1	905328-01	BEARING,NYL .38 IDX.5ODX.38 LG
19	1	900065-05	SCREW, SOCHD .375-16UNC-2A 1.25
20	1	901011-5	NUT, HEX HEAD .375-16 UNC-2B
21	2	905314-05	BUMPER, CYL W/WASHER, Ø1.5X.75
22	2	903705-06	RIVET,BLD,DOME,AL/ST Ø.25X1.2
23	1	297684-01	FLIPOVER STOP BUMPER ASSY
23A	2	900764-05	SCREW, HEX CAP .38-16X.88, SS
23B	2	902019-5	WASHER,LOCK S/ST .680ODX.385ID
23C	2	903409-03	WASHER,FEND .41 X.88OD,SS
23D	1	285409-03	BUMPER, 1.5IN OD
23E	1	900763-03	SCREW, BTN .31-18 X .63, SS
23F	1	902019-4	WASHER,LOCK S/ST .583ODX.322ID
24	1	297687-01	1/2-3/8 TORSION BAR KIT, DMD
		297687-04	9/16-3/8 TORSION BAR KIT, DMD
24A	1	297628-01	LH PIN WELDT, 1/2"
		297757-01	LH PIN WLDMT 9/16IN
24B	1	297689-01	TORSION BAR HOUSING 1/2"
		297762-01	TORSION BAR HOUSING 9/16IN
24C	1	263041-01	TORSION BAR 68.75 LG
		297760-01	TORSION BAR 68.75 LG
24D	2	908078-01	FB THRUST BEARING 1ID
24E	2	900004-1	SCREW, CAP .25-20X.5 GR8 ZC
24F	1	297763-01	RH PIN WELDT, 3/8"
24G	1	253173-01	TORSION BAR, 3/8X68.75"LG
24H	1	297764-01	TORSION BAR HOUSING 3/8"
25	1	285728-02	HOLDER WELDT, F/O TORSION BAR
26	4	900061-10	SCR FLH SOC .375-16 2.50LG SST
27	1	298759-01	SS 1/2IN DIA TORSION BAR, FLIPOVER
		298759-03	SS 7/16" DIA TORSION BAR, FLIPOVER
28	1	285595-01	BRACKET ASSY,TORSION BAR
28A	1	267206-01	ANCHOR BOLT WLDMT
28B	1	901010	NUT, NYLON LOCK 1/2-13 ZC
28C	1	902000-14	WASHER, FLAT .500X.063 THK
29	2	900061-5	SCR FLH SOC .375-16 1.25LG SST

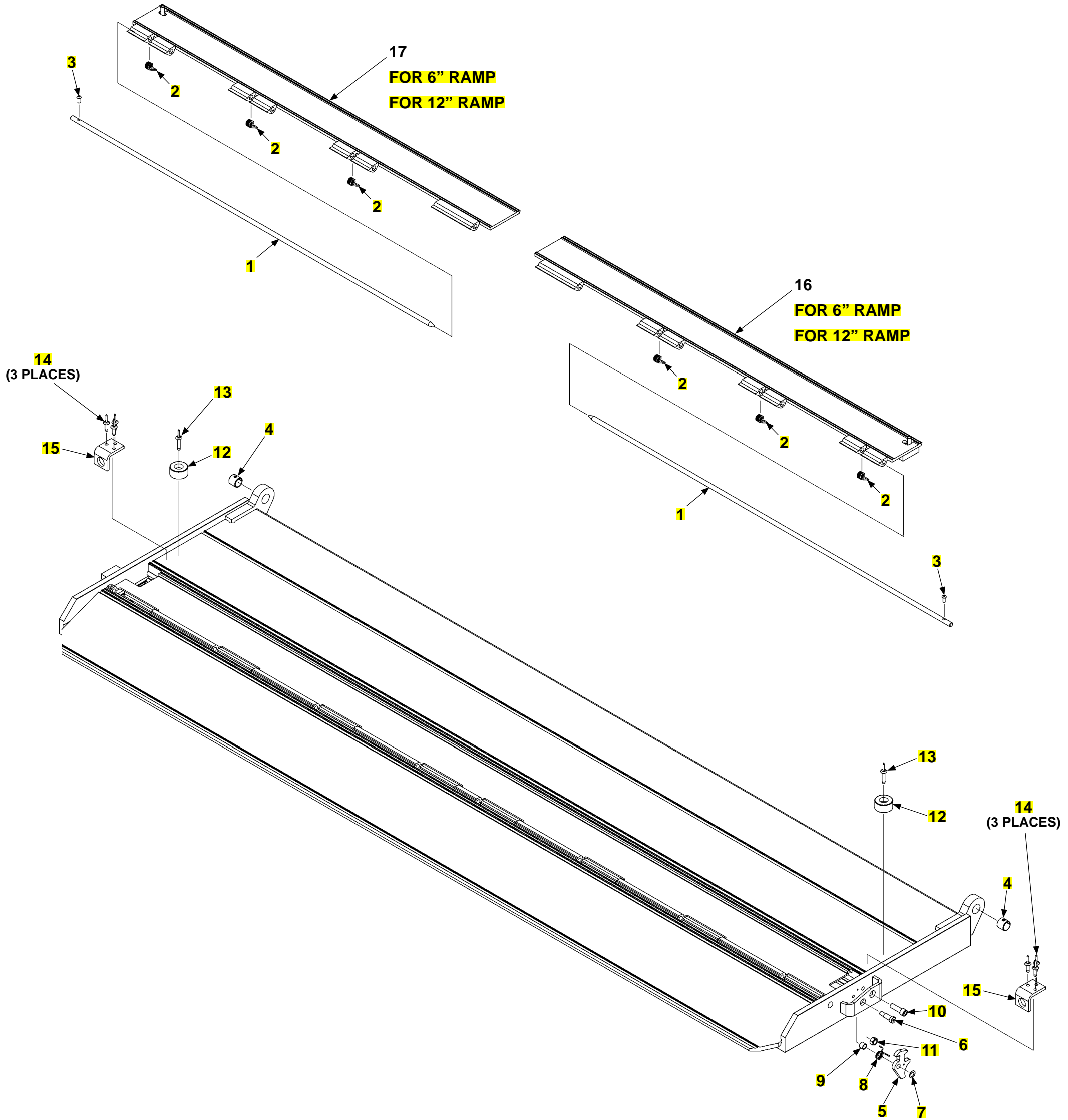
FLIPOVER WITH DUAL CART STOPS (MANUAL CLOSER)

LAST UPDATED
AUG 2018 to present

COMPLETE ASSEMBLY:

FLIPOVER WITH DUAL CART STOPS (MANUAL CLOSER)

- FOR PLATFORM ASSEMBLY WITH FLIPOVER TORSION BAR
- FOR PLATFORM ASSEMBLY WITHOUT FLIPOVER TORSION BAR (DISCONTINUED)



**FLIPOVER WITH DUAL CART STOPS
(MANUAL CLOSER)**

ITEM	QTY.	PART NO.	DESCRIPTION
REF NT	1	298555-01MG	F/O ASSY, AL 85 X 24 (18 DCS+6),MG
		298555-06MG	F/O ASSY, AL 91 X 24 (18 DCS+6),MG
		298403-01MG	F/O ASSY, AL, 85 X 24 (12+12 DCS), MG
		298403-06MG	F/O ASSY, AL, 91 X 24 (12+12 DCS), MG
REF	1	298555-01MG	F/O ASSY, AL 85 X 24 (18 DCS+6),MG
		298555-02MG	F/O ASSY, AL 85 X 27 (21 DCS+6),MG
		298555-03MG	F/O ASSY, AL 85 X 30 (24 DCS+6),MG
		298555-04MG	F/O ASSY, AL 85 X 33 (27 DCS+6),MG
		298555-05MG	F/O ASSY, AL 85 X 36 (30 DCS+6),MG
		298555-06MG	F/O ASSY, AL 91 X 24 (18 DCS+6),MG
		298555-07MG	F/O ASSY, AL 91 X 27 (21 DCS+6),MG
		298555-08MG	F/O ASSY, AL 91 X 30 (24 DCS+6),MG
		298555-09MG	F/O ASSY, AL 91 X 33 (27 DCS+6),MG
		298555-10MG	F/O ASSY, AL 91 X 36 (30 DCS+6),MG
		298403-01MG	F/O ASSY, AL, 85 X 24 (12+12 DCS), MG
		298403-02MG	F/O ASSY, AL, 85 X 27 (15+12 DCS), MG
		298403-03MG	F/O ASSY, AL, 85 X 30 (18+12 DCS), MG
		298403-04MG	F/O ASSY, AL, 85 X 33 (21+12 DCS), MG
		298403-05MG	F/O ASSY, AL, 85 X 36 (24+12 DCS), MG
		298403-06MG	F/O ASSY, AL, 91 X 24 (12+12 DCS), MG
298403-07MG	F/O ASSY, AL, 91 X 27 (15+12 DCS), MG		
298403-08MG	F/O ASSY, AL, 91 X 30 (18+12 DCS), MG		
298403-09MG	F/O ASSY, AL, 91 X 33 (21+12 DCS), MG		
298403-10MG	F/O ASSY, AL, 91 X 36 (24+12 DCS), MG		
1	2	287443-18	PIN, CART STOP, 42.5"LG
		287443-21	PIN, CART STOP, 45.5"LG
2	6	282729-01	SPRING, C/S .08 WIRE, 302 SS
3	2	900722-03	SCREW, BTN 10-24 X .5, SS
4	2	260917-01	BEARING, SELF LUBE .75IDX.75
5	1	298424-01	HOOK, FO LATCH,2-PC PF DM
6	1	900723-05	SCREW, SHLDR.38 X .75LG, SS
7	1	902000-9	WASHER, FLAT .375 X.032 THK
8	1	282749-02	SPRING,RH HOOK, .078 WIRE, 302 SS
9	1	905328-01	BEARING,NYL .38 IDX.5ODX.38 LG
10	1	900065-05	SCREW, SOCHD .375-16UNC-2A 1.25
11	1	901011-5	NUT, HEX HEAD .375-16 UNC-2B
12	2	905314-05	BUMPER, CYL W/WASHER, Ø1.5X.75
13	2	903705-06	RIVET,BLD,DOME,AL/ST Ø.25X1.2
14	6	903715-04	RIVET,BL/DM,AL/AL Ø.25X.37-.5
15	2	287226-01	CATCH BRACKET
16 6	1	287447-112	C/S ASSY,RAMP DCS,RH,41.88"LG
		287447-114	C/S ASSY,RAMP DCS,RH,44.88"LG
16 12	1	287447-308	C/S ASSY,12"RAMP DCS,RH,41.88"LG
		287447-310	C/S ASSY,12"RAMP DCS,RH,44.88"LG
17 6	1	287447-111	C/S ASSY,RAMP DCS,LH,41.88"LG
		287447-113	C/S ASSY,RAMP DCS,LH,44.88"LG
17 12	1	287447-307	C/S ASSY,12"RAMP DCS,LH,41.88"LG
		287447-309	C/S ASSY,12"RAMP DCS,LH,44.88"LG

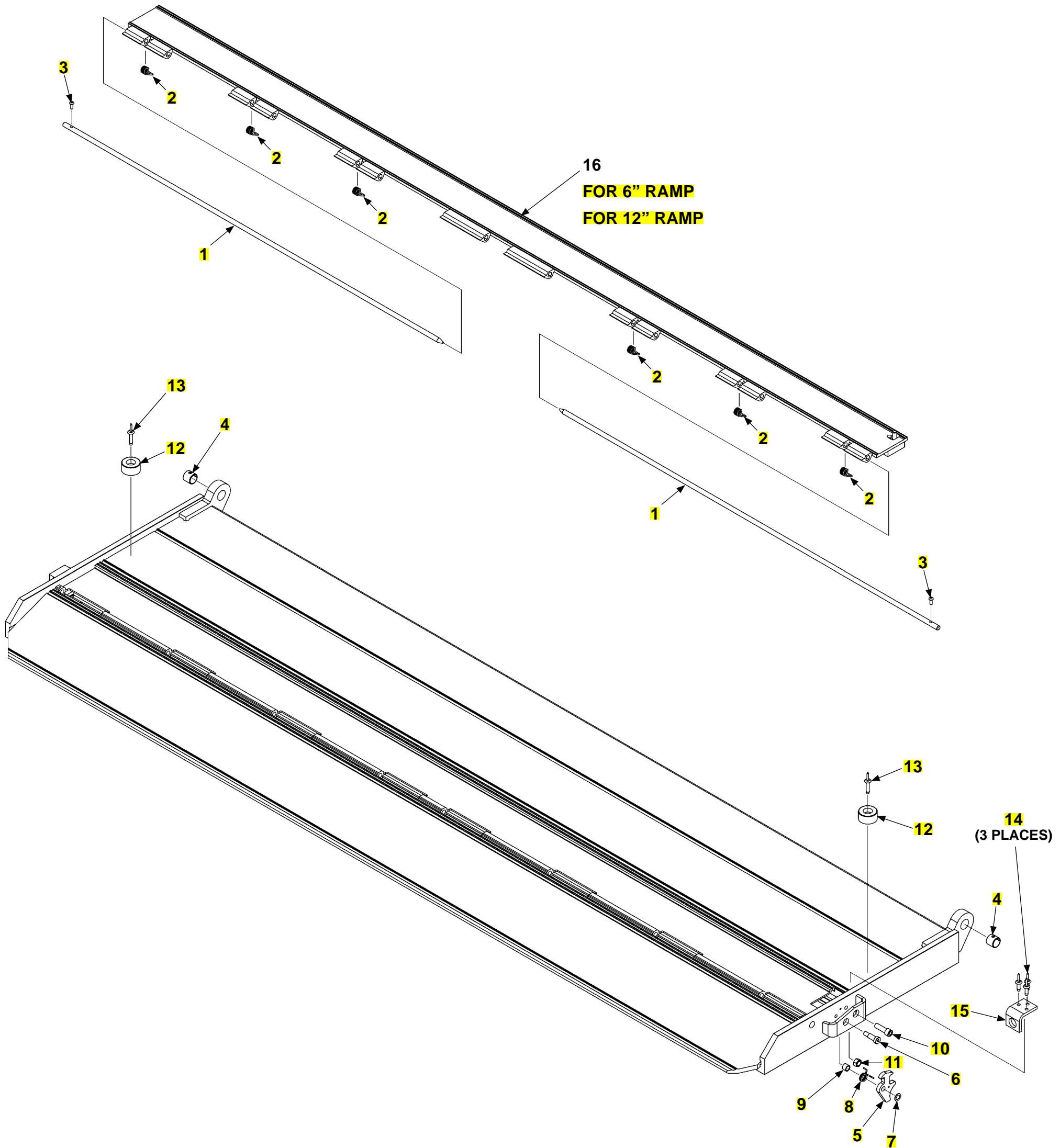
FLIPOVER WITH SINGLE CART STOP (MANUAL CLOSER)

LAST UPDATED
AUG 2018 to present

COMPLETE ASSEMBLY:

FLIPOVER WITH SINGLE CART STOP (MANUAL CLOSER)

- FOR PLATFORM ASSEMBLY WITH FLIPOVER TORSION BAR
- FOR PLATFORM ASSEMBLY WITHOUT FLIPOVER TORSION BAR (DISCONTINUED)



**FLIPOVER WITH SINGLE CART STOP
(MANUAL CLOSER)**

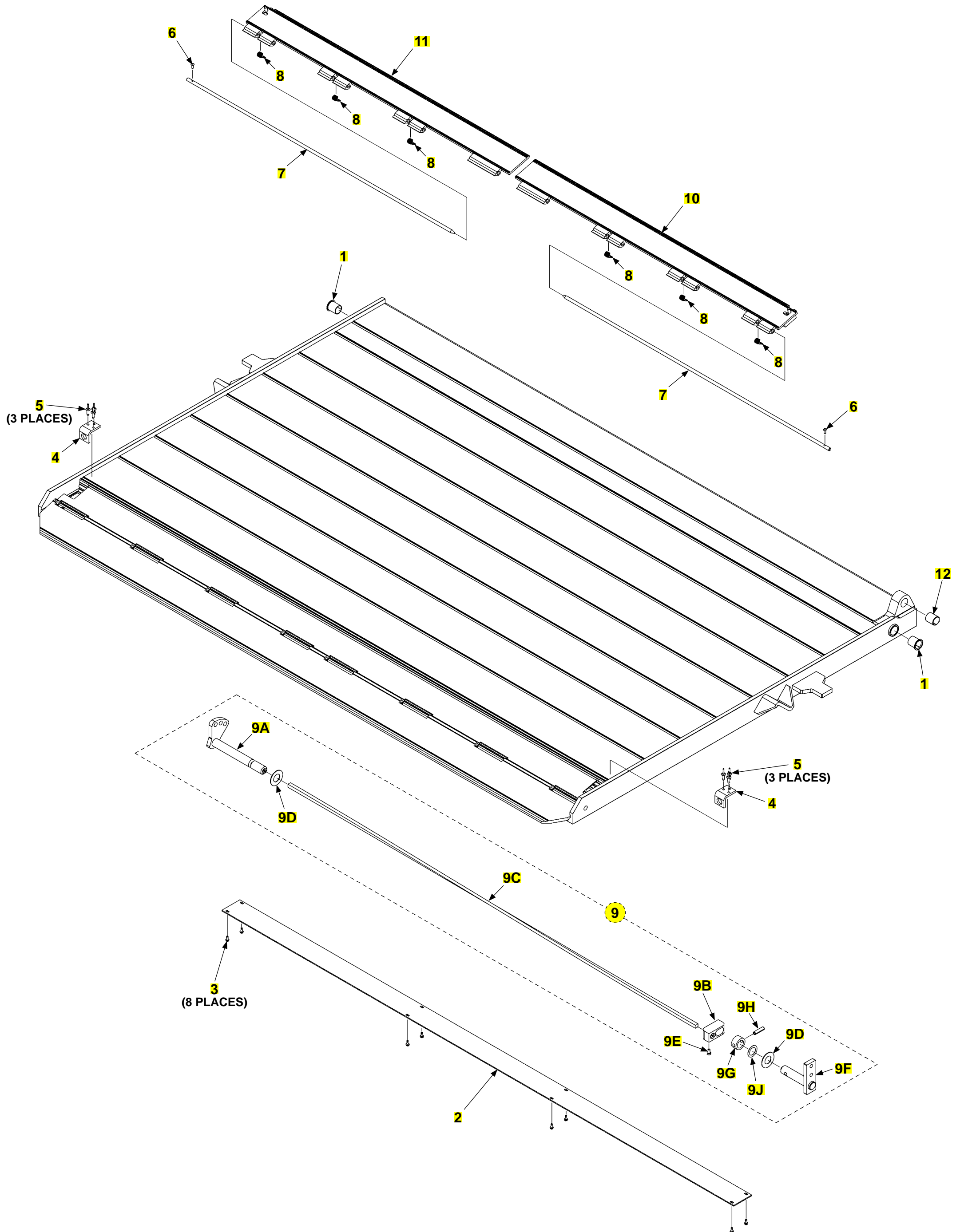
ITEM	QTY.	PART NO.	DESCRIPTION
REF NT	1	298555-11MG	F/O ASSY, AL 85 X 24 (18 SCS+6),MG
		298555-16MG	F/O ASSY, AL 91 X 24 (18 SCS+6),MG
		298403-11MG	F/O ASSY, AL, 85 X 24 (12+12 SCS), MG
		298403-16MG	F/O ASSY, AL, 91 X 24 (12+12 SCS), MG
REF	1	298555-11MG	F/O ASSY, AL 85 X 24 (18 SCS+6),MG
		298555-12MG	F/O ASSY, AL 85 X 27 (21 SCS+6),MG
		298555-13MG	F/O ASSY, AL 85 X 30 (24 SCS+6),MG
		298555-14MG	F/O ASSY, AL 85 X 33 (27 SCS+6),MG
		298555-15MG	F/O ASSY, AL 85 X 36 (30 SCS+6),MG
		298555-16MG	F/O ASSY, AL 91 X 24 (18 SCS+6),MG
		298555-17MG	F/O ASSY, AL 91 X 27 (21 SCS+6),MG
		298555-18MG	F/O ASSY, AL 91 X 30 (24 SCS+6),MG
		298555-19MG	F/O ASSY, AL 91 X 33 (27 SCS+6),MG
		298555-20MG	F/O ASSY, AL 91 X 36 (30 SCS+6),MG
		298403-11MG	F/O ASSY, AL, 85 X 24 (12+12 SCS), MG
		298403-12MG	F/O ASSY, AL, 85 X 27 (15+12 SCS), MG
		298403-13MG	F/O ASSY, AL, 85 X 30 (18+12 SCS), MG
		298403-14MG	F/O ASSY, AL, 85 X 33 (21+12 SCS), MG
		298403-15MG	F/O ASSY, AL, 85 X 36 (24+12 SCS), MG
		298403-16MG	F/O ASSY, AL, 91 X 24 (12+12 SCS), MG
		298403-17MG	F/O ASSY, AL, 91 X 27 (15+12 SCS), MG
		298403-18MG	F/O ASSY, AL, 91 X 30 (18+12 SCS), MG
		298403-19MG	F/O ASSY, AL, 91 X 33 (21+12 SCS), MG
		298403-20MG	F/O ASSY, AL, 91 X 36 (24+12 SCS), MG
1	2	287443-18	PIN, CART STOP, 42.5"LG
		287443-21	PIN, CART STOP, 45.5"LG
2	6	282729-01	SPRING, C/S .08 WIRE, 302 SS
3	2	900722-03	SCREW, BTN 10-24 X .5, SS
4	2	260917-01	BEARING, SELF LUBE .75IDX.75
5	1	298424-01	HOOK, FO LATCH,2-PC PF DM
6	1	900723-05	SCREW, SHLDR.38 X .75LG, SS
7	1	902000-9	WASHER, FLAT .375 X.032 THK
8	1	282749-02	SPRING,RH HOOK, .078 WIRE, 302 SS
9	1	905328-01	BEARING,NYL .38 IDX.5ODX.38 LG
10	1	900065-05	SCREW, SOCHD .375-16UNC-2A 1.25
11	1	901011-5	NUT, HEX HEAD .375-16 UNC-2B
12	2	905314-05	BUMPER, CYL W/WASHER, Ø1.5X.75
13	2	903705-06	RIVET,BLD,DOME,AL/ST Ø.25X1.2
14	3	903715-04	RIVET,BL/DM,AL/AL Ø.25X.37-.5
15	1	287226-01	CATCH BRACKET
16 6	1	287447-155	C/S ASSY,RAMP SCS,RH,83.88"LG
		287447-156	C/S ASSY,RAMP SCS,RH,89.88"LG
16 12	1	287447-355	C/S ASSY,12"RAMP SCS,RH,83.88"LG
		287447-356	C/S ASSY,12"RAMP SCS,RH,89.88"LG

1 PIECE PLATFORM WITH 9" FIXED RAMP AND DUAL CART STOPS (HYDRAULIC CLOSER)

LAST UPDATED
AUG 2018 to present

COMPLETE ASSEMBLY:

1 PIECE PLATFORM WITH 9" FIXED RAMP AND DUAL CART STOPS (HYDRAULIC CLOSER)



**1 PIECE PLATFORM WITH 9" FIXED RAMP AND DUAL CART STOPS
(HYDRAULIC CLOSER)**

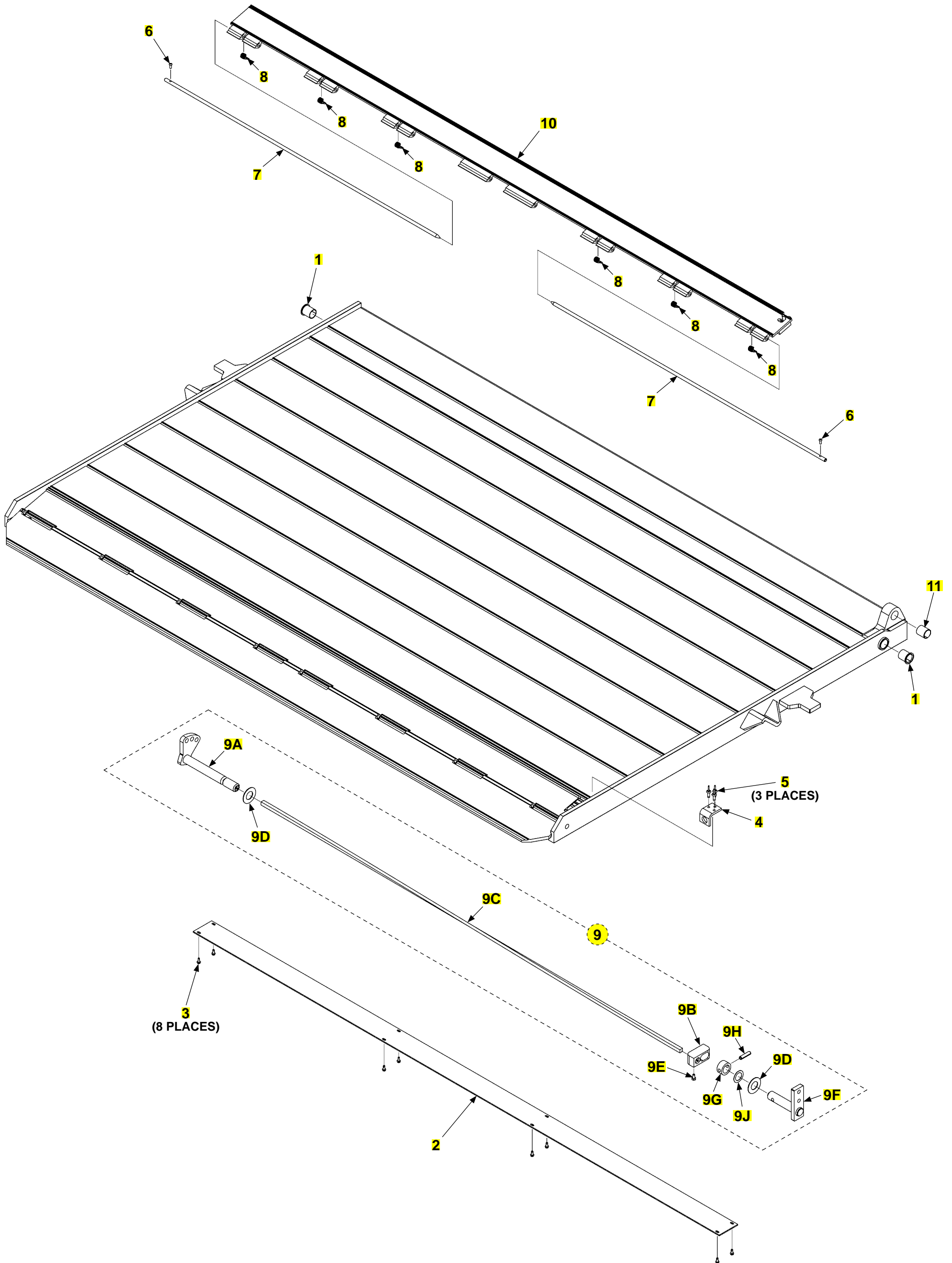
ITEM	QTY.	PART NO.	DESCRIPTION
REF	1	298440-01MG	P/F ASSY, AL, H/C, MAX GRIP, 90X51+9 DCS
		298440-02MG	P/F ASSY, AL, H/C, MAX GRIP, 90X57+9 DCS
		298440-03MG	P/F ASSY, AL, H/C, MAX GRIP, 90X63+9 DCS
		298440-04MG	P/F ASSY, AL, H/C, MAX GRIP, 90X69+9 DCS
		298440-05MG	P/F ASSY, AL, H/C, MAX GRIP, 90X75+9 DCS
		298440-06MG	P/F ASSY, AL, H/C, MAX GRIP, 96X51+9 DCS
		298440-07MG	P/F ASSY, AL, H/C, MAX GRIP, 96X57+9 DCS
		298440-08MG	P/F ASSY, AL, H/C, MAX GRIP, 96X63+9 DCS
		298440-09MG	P/F ASSY, AL, H/C, MAX GRIP, 96X69+9 DCS
		298440-10MG	P/F ASSY, AL, H/C, MAX GRIP, 96X72+12 DCS
1	2	908002-06	BEARING SELF LUB Ø1.0 IDX1.25LG
2	1	298401-01	COVER PLATE, AL. PLATFORM, 85.25" LG
		298401-02	COVER PLATE, AL. PLATFORM, 91.25" LG
3	8	030444	SCREW, TAP 10-24X1/2, F, ZC
4	2	287226-01	CATCH BRACKET
5	6	903715-04	RIVET,BL/DM,AL/AL Ø.25X.37-.5
6	2	900722-03	SCREW, BTN 10-24 X .5, SS
7	2	287443-19	PIN, CART STOP, 44.5"LG
		287443-20	PIN, CART STOP, 47.5"LG
8	6	282729-01	SPRING, C/S .08 WIRE, 302 SS
9	1	297687-05	1/2 TORSION BAR KIT, H/C DMD
		297687-08	9/16 TORSION BAR KIT, H/C DMD
9A	1	297628-01	LH PIN WELDT, 1/2"
		297757-01	LH PIN WLDMT 9/16IN
9B	1	297689-01	TORSION BAR HOUSING 1/2"
		297762-01	TORSION BAR HOUSING 9/16IN
9C	1	263041-01	TORSION BAR 68.75 LG
		297760-01	TORSION BAR 68.75 LG
9D	2	908078-01	FB THRUST BEARING 1ID
9E	1	900004-1	SCREW, CAP .25-20X.5 GR8 ZC
9F	1	298757-01	1IN PIN WELDT, RH, H/C DMD
9G	1	253630	PIN COLLAR
9H	1	904723-04	PIN, ROLL Ø.38 X 1.5LG, SS
9J	1	903460-01	WASHER, SHIM 1.00 ID X1.50 OD SS
10	1	287447-304	C/S ASSY, 12IN RAMP DCS, RH, 43.81IN LG
		287447-306	C/S ASSY, 12IN RAMP DCS, RH, 46.81IN LG
11	1	287447-303	C/S ASSY, 12IN RAMP DCS, LH, 43.81IN LG
		287447-305	C/S ASSY, 12IN RAMP DCS, LH, 46.81IN LG
12	1	260916-01	BEARING SELF LUBE 1DIA X 1.25IN

1 PIECE PLATFORM WITH 9" FIXED RAMP AND SINGLE CART STOP
(HYDRAULIC CLOSER)

LAST UPDATED
AUG 2018 to present

COMPLETE ASSEMBLY:

1 PIECE PLATFORM WITH 9" FIXED RAMP AND SINGLE CART STOP (HYDRAULIC CLOSER)



**1 PIECE PLATFORM WITH 9" FIXED RAMP AND SINGLE CART STOP
(HYDRAULIC CLOSER)**

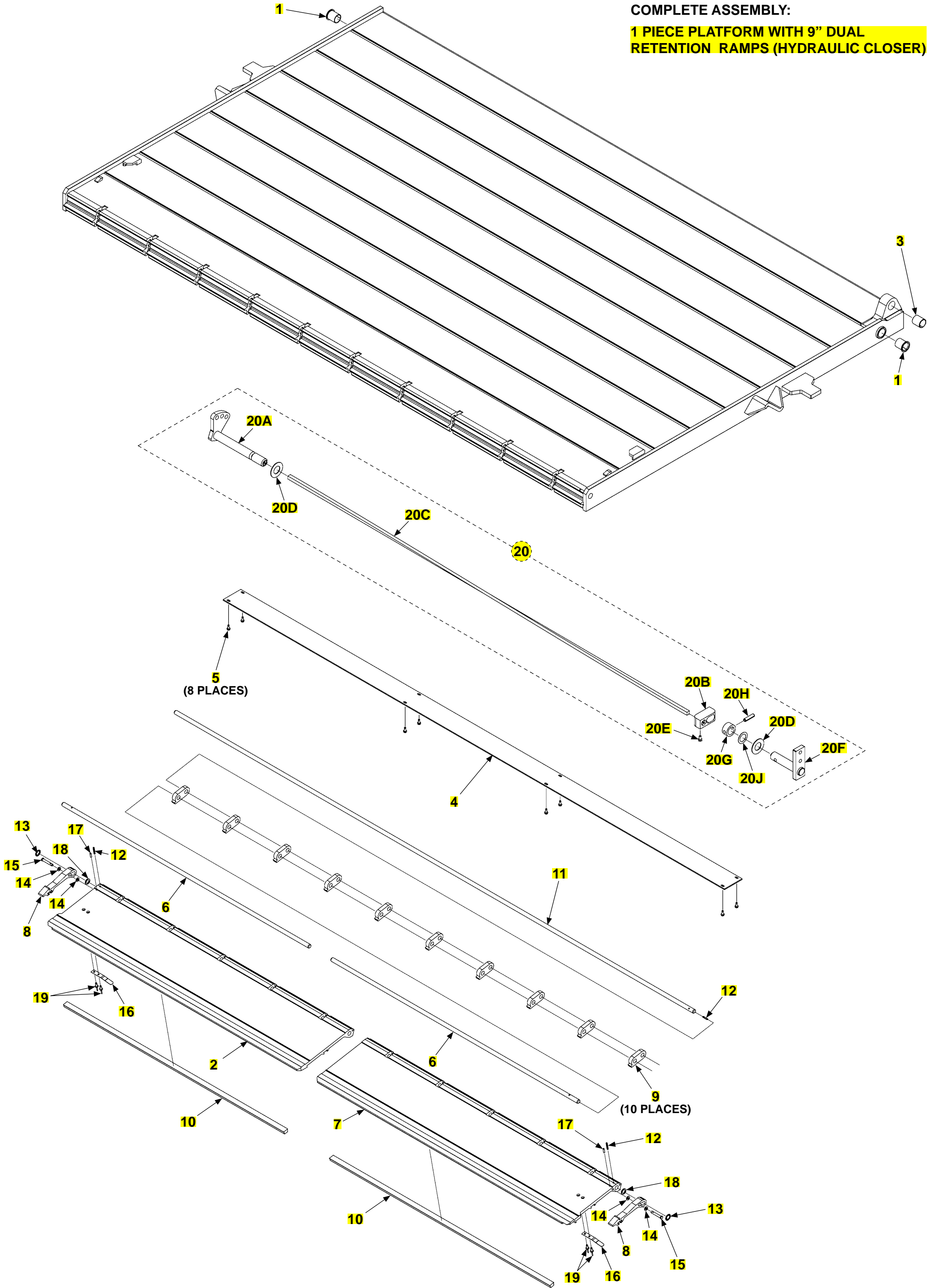
ITEM	QTY.	PART NO.	DESCRIPTION
REF	1	298440-11MG	P/F ASSY, AL, H/C, MAX GRIP, 90X51+9 SCS
		298440-12MG	P/F ASSY, AL, H/C, MAX GRIP, 90X57+9 SCS
		298440-13MG	P/F ASSY, AL, H/C, MAX GRIP, 90X63+9 SCS
		298440-14MG	P/F ASSY, AL, H/C, MAX GRIP, 90X69+9 SCS
		298440-15MG	P/F ASSY, AL, H/C, MAX GRIP, 90X75+9 SCS
		298440-16MG	P/F ASSY, AL, H/C, MAX GRIP, 96X51+9 SCS
		298440-17MG	P/F ASSY, AL, H/C, MAX GRIP, 96X57+9 SCS
		298440-18MG	P/F ASSY, AL, H/C, MAX GRIP, 96X63+9 SCS
		298440-19MG	P/F ASSY, AL, H/C, MAX GRIP, 96X69+9 SCS
		298440-20MG	P/F ASSY, AL, H/C, MAX GRIP, 96X75+9 SCS
1	2	908002-06	BEARING SELF LUB Ø1.0 IDX1.25LG
2	1	298401-01	COVER PLATE, AL. PLATFORM, 85.25" LG
		298401-02	COVER PLATE, AL. PLATFORM, 91.25" LG
3	8	030444	SCREW, TAP 10-24X1/2, F, ZC
4	1	287226-01	CATCH BRACKET
5	3	903715-04	RIVET,BL/DM,AL/AL Ø.25X.37-.5
6	2	900722-03	SCREW, BTN 10-24 X .5, SS
7	2	287443-19	PIN, CART STOP, 44.5"LG
		287443-20	PIN, CART STOP, 47.5"LG
8	6	282729-01	SPRING, C/S .08 WIRE, 302 SS
9	1	297687-05	1/2 TORSION BAR KIT, H/C DMD
		297687-08	9/16 TORSION BAR KIT, H/C DMD
9A	1	297628-01	LH PIN WELDT, 1/2"
		297757-01	LH PIN WLDMT 9/16IN
9B	1	297689-01	TORSION BAR HOUSING 1/2"
		297762-01	TORSION BAR HOUSING 9/16IN
9C	1	263041-01	TORSION BAR 68.75 LG
		297760-01	TORSION BAR 68.75 LG
9D	2	908078-01	FB THRUST BEARING 1ID
9E	1	900004-1	SCREW, CAP .25-20X.5 GR8 ZC
9F	1	298757-01	1IN PIN WELDT, RH, H/C DMD
9G	1	253630	PIN COLLAR
9H	1	904723-04	PIN, ROLL Ø.38 X 1.5LG, SS
9J	1	903460-01	WASHER, SHIM 1.00 ID X1.50 OD SS
10	1	287447-353	C/S ASSY, 12IN RAMP SCS, RH, 87.81IN LG
		287447-354	C/S ASSY, 12IN RAMP SCS, RH, 93.81IN LG
11	1	260916-01	BEARING SELF LUBE 1DIA X 1.25IN

**1 PIECE PLATFORM WITH 9" DUAL RETENTION RAMPS
(HYDRAULIC CLOSER)**

**LAST UPDATED
AUG 2018 to present**

COMPLETE ASSEMBLY:

**1 PIECE PLATFORM WITH 9" DUAL
RETENTION RAMPS (HYDRAULIC CLOSER)**



**1 PIECE PLATFORM WITH 9" DUAL RETENTION RAMPS
(HYDRAULIC CLOSER)**

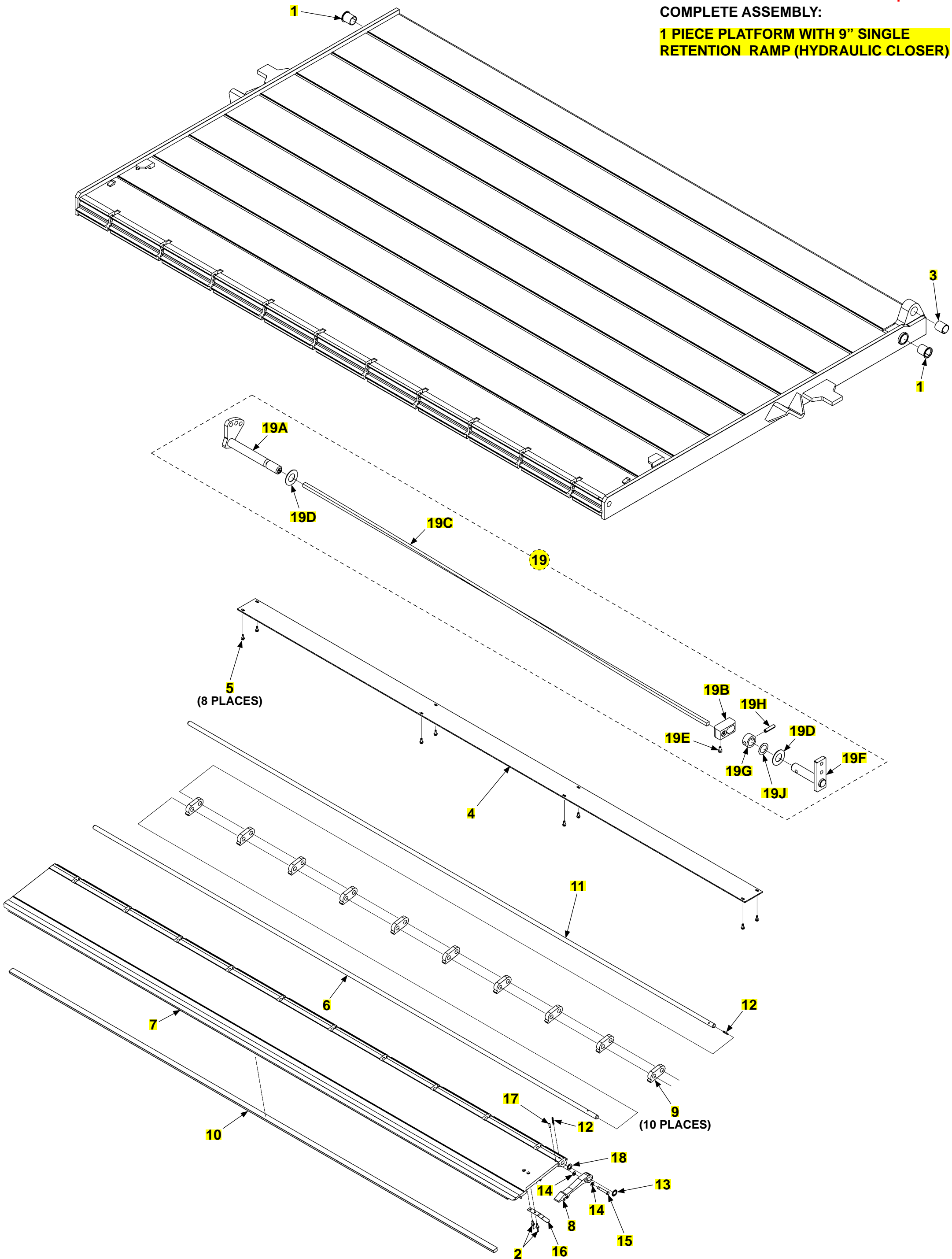
ITEM	QTY.	PART NO.	DESCRIPTION
REF	1	298450-01MG	P/F ASSY, AL, H/C, MAX GRIP, 90X54+9 DUAL ARR
		298450-02MG	P/F ASSY, AL, H/C, MAX GRIP, 90X60+9 DUAL ARR
		298450-03MG	P/F ASSY, AL, H/C, MAX GRIP, 90X66+9 DUAL ARR
		298450-04MG	P/F ASSY, AL, H/C, MAX GRIP, 90X72+9 DUAL ARR
		298450-05MG	P/F ASSY, AL, H/C, MAX GRIP, 96X54+9 DUAL ARR
		298450-06MG	P/F ASSY, AL, H/C, MAX GRIP, 96X60+9 DUAL ARR
		298450-07MG	P/F ASSY, AL, H/C, MAX GRIP, 96X66+9 DUAL ARR
		298450-08MG	P/F ASSY, AL, H/C, MAX GRIP, 96X72+9 DUAL ARR
1	2	908002-06	BEARING SELF LUB Ø1.0 IDX1.25LG
2	1	267041-101	9IN AL. RET. RAMP, LH, 43IN LG
		267041-103	9IN AL. RET. RAMP, LH, 46IN LG
3	1	260916-01	BEARING SELF LUBE 1DIA X 1.25IN
4	1	298401-01	COVER PLATE, AL. PLATFORM, 85.25" LG
		298401-02	COVER PLATE, AL. PLATFORM, 91.25IN LG
5	8	030444	SCREW, TAP 10-24X1/2, F, ZC
6	2	267045-23	ROD, HINGE .50 DIA X 42.00"LG
		267045-24	ROD, HINGE .50 DIA X 45"LG
7	1	267041-102	9IN AL. RET. RAMP, RH, 43IN LG
		267041-104	9IN AL. RET. RAMP, RH, 46IN LG
8	2	311038-11	HOOK, RETENTION RAMP
9	10	311022-10	HINGE, F/O RAMP, .50LG
10	2	905318-21	BUMPER, EXTRUSION, .56X.41X37.5
		905318-22	BUMPER, EXTRUSION, .56X.41X40.5
11	1	267045-19	ROD, HINGE .50 DIA X 88.31"LG
		267045-21	ROD, HINGE .50 DIA X 94.31"LG
12	3	905007-07	PIN, ROLL .156 X 1.00 ZINC
13	2	903420-01	RING, RETAIN., SLF/LCK .50, SS
14	4	903421-02	WASHER, 6/6 NYLON .25IDX.062TH
15	2	283951-01	CLEVIS PIN, 1/4 X 1-5/8
16	2	267326-01	SPRING, HOOK, RETENTION RAMP
17	2	905007-03	PIN, ROLL .156 X .63 ZINC
18	2	903413-02	WASHER, 6/6 NYLON.5IDX.062TH
19	4	904005-1	RIVET, BLIND SSTL DOME .187X.44
20	1	297687-05	1/2 TORSION BAR KIT, H/C DMD
		297687-08	9/16 TORSION BAR KIT, H/C DMD
20A	1	297628-01	LH PIN WELDT, 1/2"
		297757-01	LH PIN WLDMT 9/16IN
20B	1	297689-01	TORSION BAR HOUSING 1/2"
		297762-01	TORSION BAR HOUSING 9/16IN
20C	1	263041-01	TORSION BAR 68.75 LG
		297760-01	TORSION BAR 68.75 LG
20D	2	908078-01	FB THRUST BEARING 1ID
20E	1	900004-1	SCREW, CAP .25-20X.5 GR8 ZC
20F	1	298757-01	1IN PIN WELDT, RH, H/C DMD
20G	1	253630	PIN COLLAR
20H	1	904723-04	PIN, ROLL Ø.38 X 1.5LG, SS
20J	1	903460-01	WASHER, SHIM 1.00 ID X1.50 OD SS

**1 PIECE PLATFORM WITH 9" SINGLE RETENTION RAMP
(HYDRAULIC CLOSER)**

**LAST UPDATED
AUG 2018 to present**

COMPLETE ASSEMBLY:

**1 PIECE PLATFORM WITH 9" SINGLE
RETENTION RAMP (HYDRAULIC CLOSER)**



**1 PIECE PLATFORM WITH 9" SINGLE RETENTION RAMP
(HYDRAULIC CLOSER)**

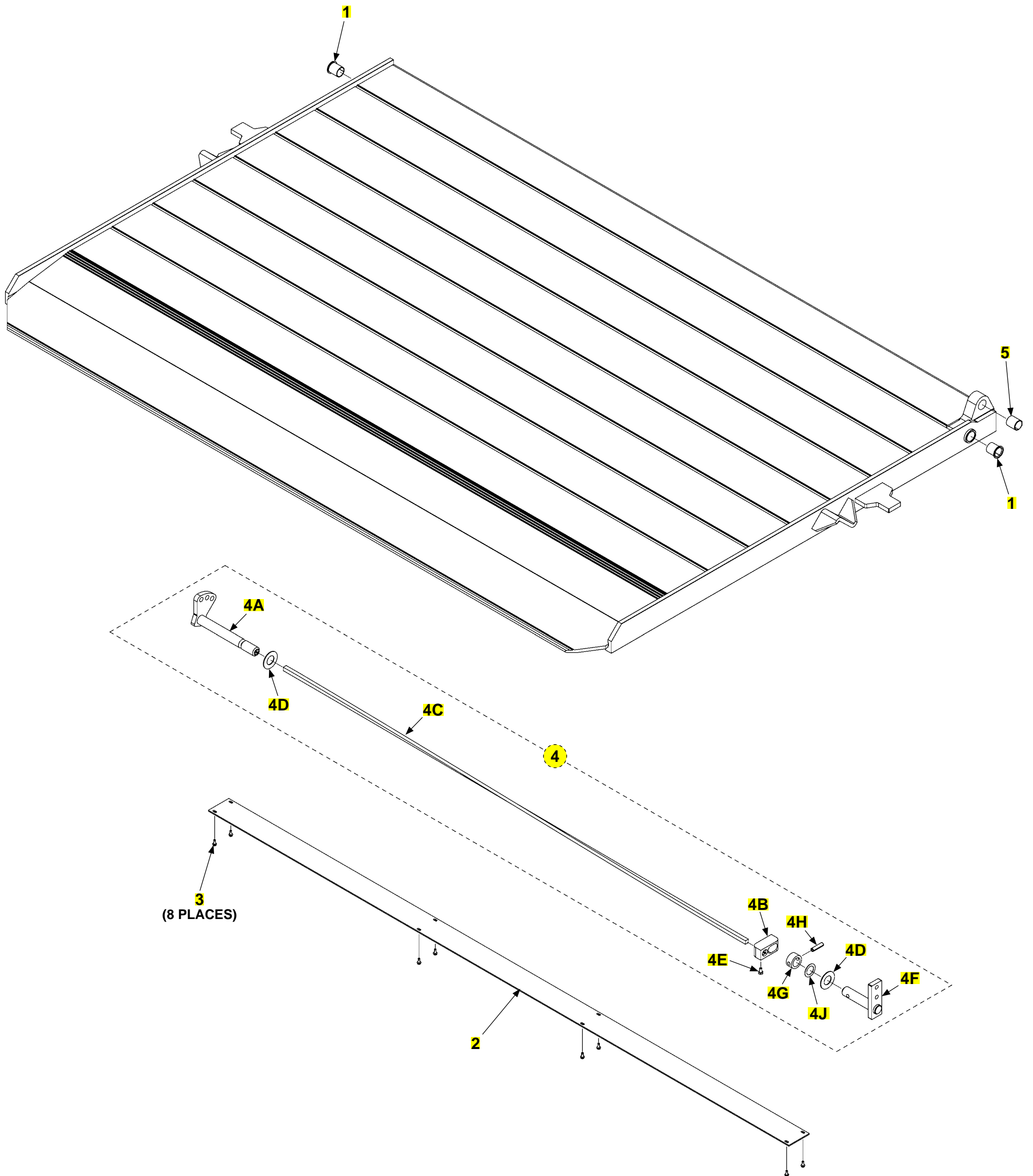
ITEM	QTY.	PART NO.	DESCRIPTION
REF	1	298450-09MG	P/F ASSY, AL, H/C, MAX GRIP, 90X54+9 SINGLE ARR
		298450-10MG	P/F ASSY, AL, H/C, MAX GRIP, 90X60+9 SINGLE ARR
		298450-11MG	P/F ASSY, AL, H/C, MAX GRIP, 90X66+9 SINGLE ARR
		298450-12MG	P/F ASSY, AL, H/C, MAX GRIP, 90X72+9 SINGLE ARR
		298450-13MG	P/F ASSY, AL, H/C, MAX GRIP, 96X54+9 SINGLE ARR
		298450-14MG	P/F ASSY, AL, H/C, MAX GRIP, 96X60+9 SINGLE ARR
		298450-15MG	P/F ASSY, AL, H/C, MAX GRIP, 96X66+9 SINGLE ARR
		298450-16MG	P/F ASSY, AL, H/C, MAX GRIP, 96X72+9 SINGLE ARR
1	2	908002-06	BEARING SELF LUB Ø1.0 IDX1.25LG
2	2	904005-1	RIVET,BLIND SSTL DOME .187X.44
3	1	260916-01	BEARING SELF LUBE 1DIA X 1.25IN
4	1	298401-01	COVER PLATE, AL. PLATFORM, 85.25" LG
		298401-02	COVER PLATE, AL. PLATFORM, 91.25IN LG
5	8	030444	SCREW, TAP 10-24X1/2, F, ZC
6	1	267045-03	ROD,HINGE.50 DIA X84.56LG
		267045-38	ROD, HINGE .50 DIA X 92.50 LG
7	1	267041-105	9IN AL. RET. RAMP, RH, 85.94IN LG
		267041-106	9IN AL. RET. RAMP, RH, 91.94IN LG
8	1	311038-11	HOOK, RETENTION RAMP
9	10	311022-10	HINGE, F/O RAMP, .50LG
10	1	905318-02	BUMPER,EXTRUSION,.56X.41X80.5
		905318-19	BUMPER, EXTRUSION, .56X.41X87.38
11	1	267045-19	ROD, HINGE .50 DIA X 88.31"LG
		267045-21	ROD, HINGE .50 DIA X 94.31"LG
12	2	905007-07	PIN, ROLL .156 X 1.00 ZINC
13	1	903420-01	RING, RETAIN., SLF/LCK .50, SS
14	2	903421-02	WASHER, 6/6 NYLON .25IDX.062TH
15	1	283951-01	CLEVIS PIN, 1/4 X 1-5/8
16	1	267326-01	SPRING, HOOK, RETENTION RAMP
17	1	905007-03	PIN, ROLL .156 X .63 ZINC
18	1	903413-02	WASHER, 6/6 NYLON .5IDX.062TH
19	1	297687-05	1/2 TORSION BAR KIT, H/C DMD
		297687-08	9/16 TORSION BAR KIT, H/C DMD
19A	1	297628-01	LH PIN WELDT, 1/2"
		297757-01	LH PIN WLDMT 9/16IN
19B	1	297689-01	TORSION BAR HOUSING 1/2"
		297762-01	TORSION BAR HOUSING 9/16IN
19C	1	263041-01	TORSION BAR 68.75 LG
		297760-01	TORSION BAR 68.75 LG
19D	2	908078-01	FB THRUST BEARING 1ID
19E	1	900004-1	SCREW, CAP .25-20X.5 GR8 ZC
19F	1	298757-01	1IN PIN WELDT, RH, H/C DMD
19G	1	253630	PIN COLLAR
19H	1	904723-04	PIN, ROLL Ø.38 X 1.5LG, SS
19J	1	903460-01	WASHER, SHIM 1.00 ID X1.50 OD SS

**1 PIECE PLATFORM WITH 12" FIXED RAMP
(HYDRAULIC CLOSER)**

**LAST UPDATED
AUG 2018 to present**

COMPLETE ASSEMBLY:

1 PIECE PLATFORM WITH 12" FIXED RAMP (HYDRAULIC CLOSER)



**1 PIECE PLATFORM WITH 12" FIXED RAMP
(HYDRAULIC CLOSER)**

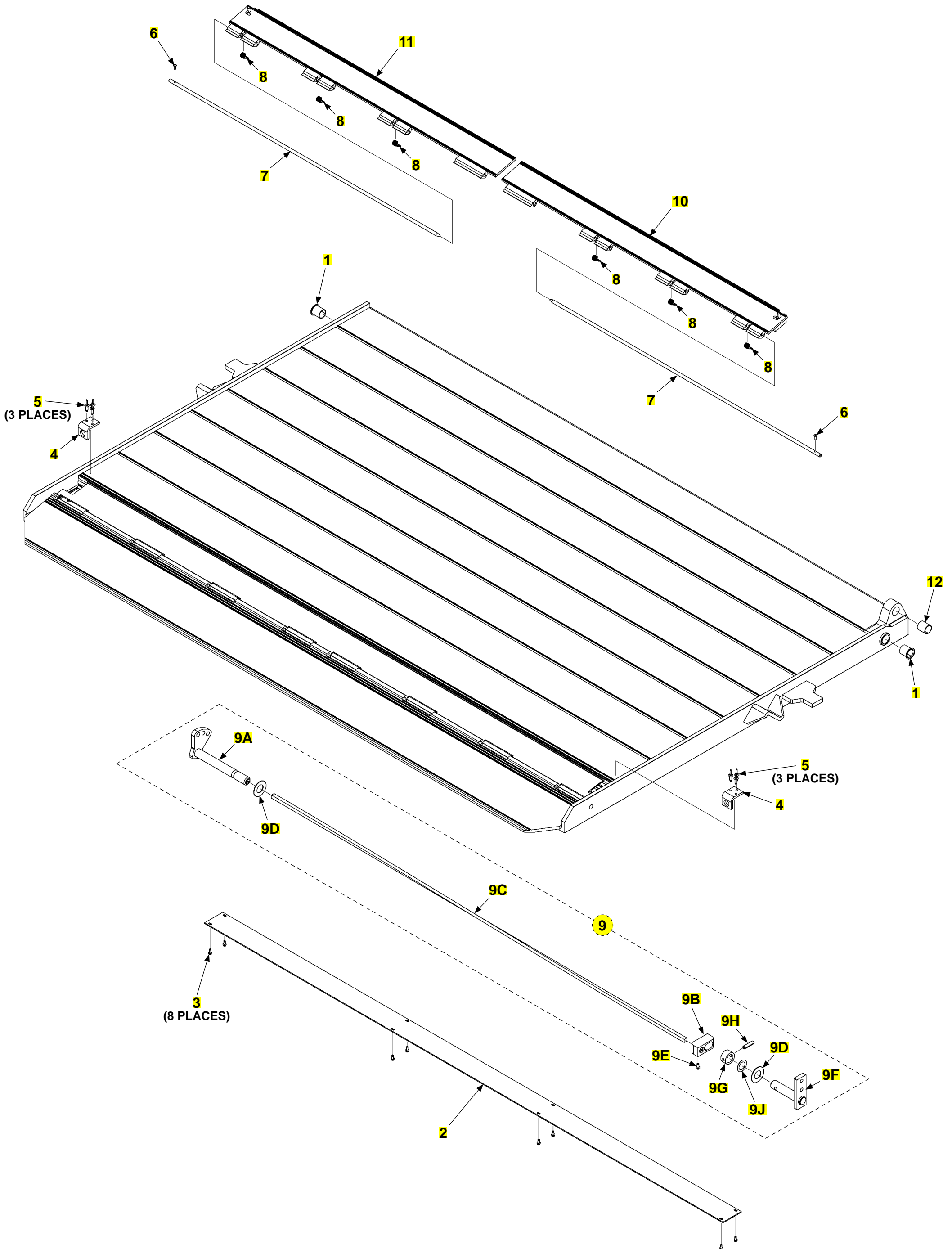
ITEM	QTY.	PART NO.	DESCRIPTION
REF	1	298410-01MG	P/F ASSY, AL, H/C, MAX GRIP, 90X48+12 FIX
		298410-02MG	P/F ASSY, AL, H/C, MAX GRIP, 90X54+12 FIX
		298410-03MG	P/F ASSY, AL, H/C, MAX GRIP, 90X60+12 FIX
		298410-04MG	P/F ASSY, AL, H/C, MAX GRIP, 90X66+12 FIX
		298410-05MG	P/F ASSY, AL, H/C, MAX GRIP, 90X72+12 FIX
		298410-06MG	P/F ASSY, AL, H/C, MAX GRIP, 96X48+12 FIX
		298410-07MG	P/F ASSY, AL, H/C, MAX GRIP, 96X54+12 FIX
		298410-08MG	P/F ASSY, AL, H/C, MAX GRIP, 96X60+12 FIX
		298410-09MG	P/F ASSY, AL, H/C, MAX GRIP, 96X66+12 FIX
		298410-10MG	P/F ASSY, AL, H/C, MAX GRIP, 96X72+12 FIX
1	2	908002-06	BEARING SELF LUB Ø1.0 IDX1.25LG
2	1	298401-01	COVER PLATE, AL. PLATFORM, 85.25" LG
		298401-02	COVER PLATE, AL. PLATFORM, 91.25" LG
3	8	030444	SCREW, TAP 10-24X1/2, F, ZC
4	1	297687-05	1/2 TORSION BAR KIT, H/C DMD
		297687-08	9/16 TORSION BAR KIT, H/C DMD
4A	1	297628-01	LH PIN WELDT, 1/2"
		297757-01	LH PIN WLDMT 9/16IN
4B	1	297689-01	TORSION BAR HOUSING 1/2"
		297762-01	TORSION BAR HOUSING 9/16IN
4C	1	263041-01	TORSION BAR 68.75 LG
		297760-01	TORSION BAR 68.75 LG
4D	2	908078-01	FB THRUST BEARING 1ID
4E	1	900004-1	SCREW, CAP .25-20X.5 GR8 ZC
4F	1	298757-01	1IN PIN WELDT, RH, H/C DMD
4G	1	253630	PIN COLLAR
4H	1	904723-04	PIN, ROLL Ø.38 X 1.5LG, SS
4J	1	903460-01	WASHER, SHIM 1.00 ID X1.50 OD SS
5	1	260916-01	BEARING SELF LUBE 1DIA X 1.25IN

1 PIECE PLATFORM WITH 12" FIXED RAMP AND DUAL CART STOPS (HYDRAULIC CLOSER)

LAST UPDATED
AUG 2018 to present

COMPLETE ASSEMBLY:

1 PIECE PLATFORM WITH 12" FIXED RAMP AND DUAL CART STOPS (HYDRAULIC CLOSER)



**1 PIECE PLATFORM WITH 12" FIXED RAMP AND DUAL CART STOPS
(HYDRAULIC CLOSER)**

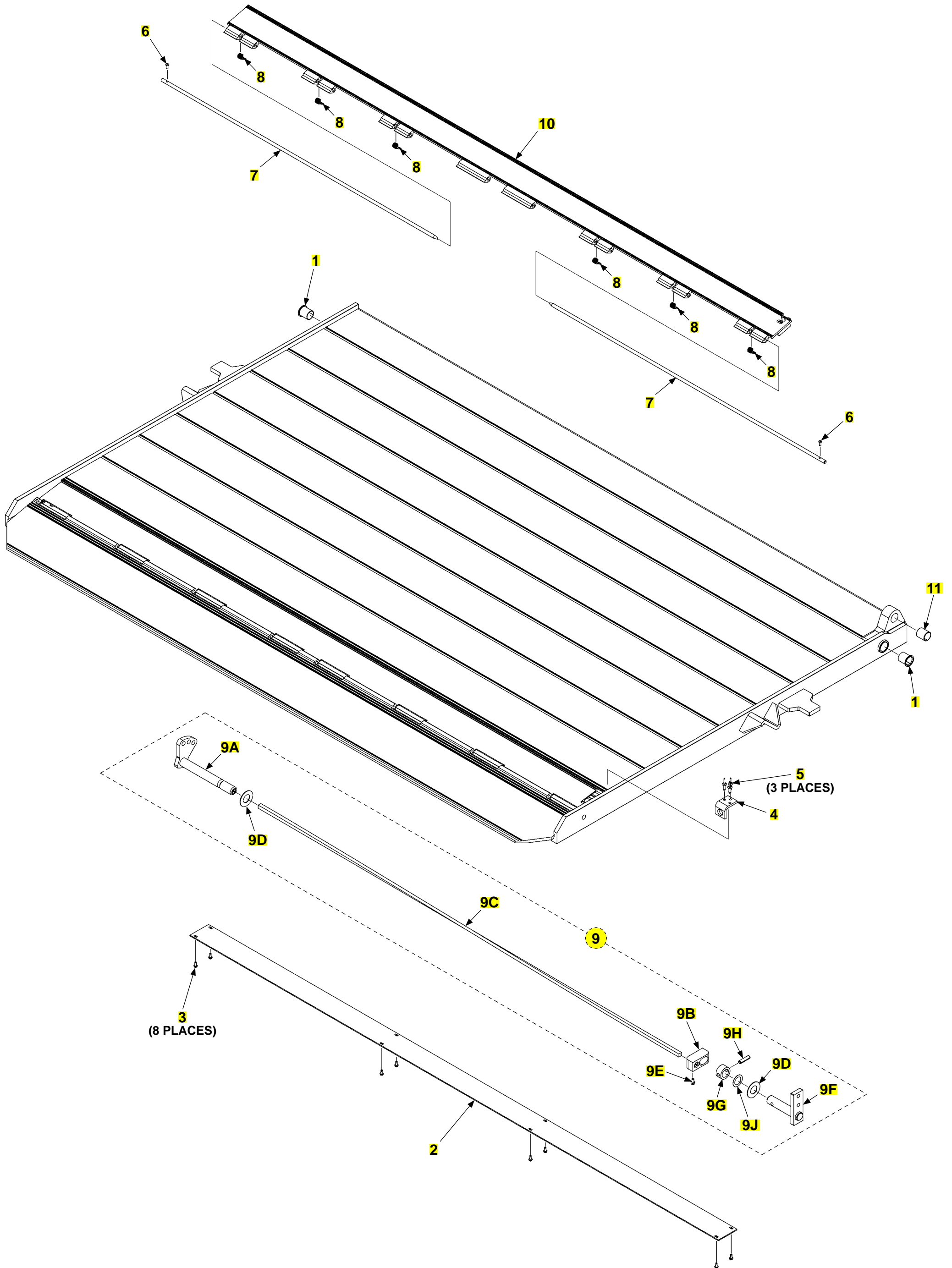
ITEM	QTY.	PART NO.	DESCRIPTION
REF	1	298430-01MG	P/F ASSY, AL, H/C, MAX GRIP, 90X48+12 DCS
		298430-02MG	P/F ASSY, AL, H/C, MAX GRIP, 90X54+12 DCS
		298430-03MG	P/F ASSY, AL, H/C, MAX GRIP, 90X60+12 DCS
		298430-04MG	P/F ASSY, AL, H/C, MAX GRIP, 90X66+12 DCS
		298430-05MG	P/F ASSY, AL, H/C, MAX GRIP, 90X72+12 DCS
		298430-06MG	P/F ASSY, AL, H/C, MAX GRIP, 96X48+12 DCS
		298430-07MG	P/F ASSY, AL, H/C, MAX GRIP, 96X54+12 DCS
		298430-08MG	P/F ASSY, AL, H/C, MAX GRIP, 96X60+12 DCS
		298430-09MG	P/F ASSY, AL, H/C, MAX GRIP, 96X66+12 DCS
		298430-10MG	P/F ASSY, AL, H/C, MAX GRIP, 96X72+12 DCS
1	2	908002-06	BEARING SELF LUB Ø1.0 IDX1.25LG
2	1	298401-01	COVER PLATE, AL. PLATFORM, 85.25" LG
		298401-02	COVER PLATE, AL. PLATFORM, 91.25" LG
3	8	030444	SCREW, TAP 10-24X1/2, F, ZC
4	2	287226-01	CATCH BRACKET
5	6	903715-04	RIVET,BL/DM,AL/AL Ø.25X.37-.5
6	2	900722-03	SCREW, BTN 10-24 X .5, SS
7	2	287443-19	PIN, CART STOP, 44.5"LG
		287443-20	PIN, CART STOP, 47.5"LG
8	6	282729-01	SPRING, C/S .08 WIRE, 302 SS
9	1	297687-05	1/2 TORSION BAR KIT, H/C DMD
		297687-08	9/16 TORSION BAR KIT, H/C DMD
9A	1	297628-01	LH PIN WELDT, 1/2"
		297757-01	LH PIN WLDMT 9/16IN
9B	1	297689-01	TORSION BAR HOUSING 1/2"
		297762-01	TORSION BAR HOUSING 9/16IN
9C	1	263041-01	TORSION BAR 68.75 LG
		297760-01	TORSION BAR 68.75 LG
9D	2	908078-01	FB THRUST BEARING 1ID
9E	1	900004-1	SCREW, CAP .25-20X.5 GR8 ZC
9F	1	298757-01	1IN PIN WELDT, RH, H/C DMD
9G	1	253630	PIN COLLAR
9H	1	904723-04	PIN, ROLL Ø.38 X 1.5LG, SS
9J	1	903460-01	WASHER, SHIM 1.00 ID X1.50 OD SS
10	1	287447-304	C/S ASSY, 12IN RAMP DCS, RH, 43.81IN LG
		287447-306	C/S ASSY, 12IN RAMP DCS, RH, 46.81IN LG
11	1	287447-303	C/S ASSY, 12IN RAMP DCS, LH, 43.81IN LG
		287447-305	C/S ASSY, 12IN RAMP DCS, LH, 46.81IN LG
12	1	260916-01	BEARING SELF LUBE 1DIA X 1.25IN

**1 PIECE PLATFORM WITH 12" FIXED RAMP AND SINGLE CART STOP
(HYDRAULIC CLOSER)**

**LAST UPDATED
AUG 2018 to present**

COMPLETE ASSEMBLY:

1 PIECE PLATFORM WITH 12" FIXED RAMP AND SINGLE CART STOP (HYDRAULIC CLOSER)

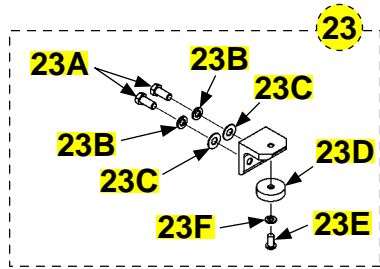


**1 PIECE PLATFORM WITH 12" FIXED RAMP AND SINGLE CART STOP
(HYDRAULIC CLOSER)**

ITEM	QTY.	PART NO.	DESCRIPTION
REF	1	298430-11MG	P/F ASSY, AL, H/C, MAX GRIP, 90X48+12 SCS
		298430-12MG	P/F ASSY, AL, H/C, MAX GRIP, 90X54+12 SCS
		298430-13MG	P/F ASSY, AL, H/C, MAX GRIP, 90X60+12 SCS
		298430-14MG	P/F ASSY, AL, H/C, MAX GRIP, 90X66+12 SCS
		298430-15MG	P/F ASSY, AL, H/C, MAX GRIP, 90X72+12 SCS
		298430-16MG	P/F ASSY, AL, H/C, MAX GRIP, 96X48+12 SCS
		298430-17MG	P/F ASSY, AL, H/C, MAX GRIP, 96X54+12 SCS
		298430-18MG	P/F ASSY, AL, H/C, MAX GRIP, 96X60+12 SCS
		298430-19MG	P/F ASSY, AL, H/C, MAX GRIP, 96X66+12 SCS
		298430-20MG	P/F ASSY, AL, H/C, MAX GRIP, 96X72+12 SCS
1	2	908002-06	BEARING SELF LUB Ø1.0 IDX1.25LG
2	1	298401-01	COVER PLATE, AL. PLATFORM, 85.25" LG
		298401-02	COVER PLATE, AL. PLATFORM, 91.25" LG
3	8	030444	SCREW, TAP 10-24X1/2, F, ZC
4	1	287226-01	CATCH BRACKET
5	3	903715-04	RIVET,BL/DM,AL/AL Ø.25X.37-.5
6	2	900722-03	SCREW, BTN 10-24 X .5, SS
7	2	287443-19	PIN, CART STOP, 44.5"LG
		287443-20	PIN, CART STOP, 47.5"LG
8	6	282729-01	SPRING, C/S .08 WIRE, 302 SS
9	1	297687-05	1/2 TORSION BAR KIT, H/C DMD
		297687-08	9/16 TORSION BAR KIT, H/C DMD
9A	1	297628-01	LH PIN WELDT, 1/2"
		297757-01	LH PIN WLDMT 9/16IN
9B	1	297689-01	TORSION BAR HOUSING 1/2"
		297762-01	TORSION BAR HOUSING 9/16IN
9C	1	263041-01	TORSION BAR 68.75 LG
		297760-01	TORSION BAR 68.75 LG
9D	2	908078-01	FB THRUST BEARING 1ID
9E	1	900004-1	SCREW, CAP .25-20X.5 GR8 ZC
9F	1	298757-01	1IN PIN WELDT, RH, H/C DMD
9G	1	253630	PIN COLLAR
9H	1	904723-04	PIN, ROLL Ø.38 X 1.5LG, SS
9J	1	903460-01	WASHER, SHIM 1.00 ID X1.50 OD SS
10	1	287447-353	C/S ASSY, 12IN RAMP SCS, RH, 87.81IN LG
		287447-354	C/S ASSY, 12IN RAMP SCS, RH, 93.81IN LG
11	1	260916-01	BEARING SELF LUBE 1DIA X 1.25IN

2 PIECE ALUMINUM PLATFORM ASSEMBLY WITH FLIPOVER TORSION BAR (HYDRAULIC CLOSER)

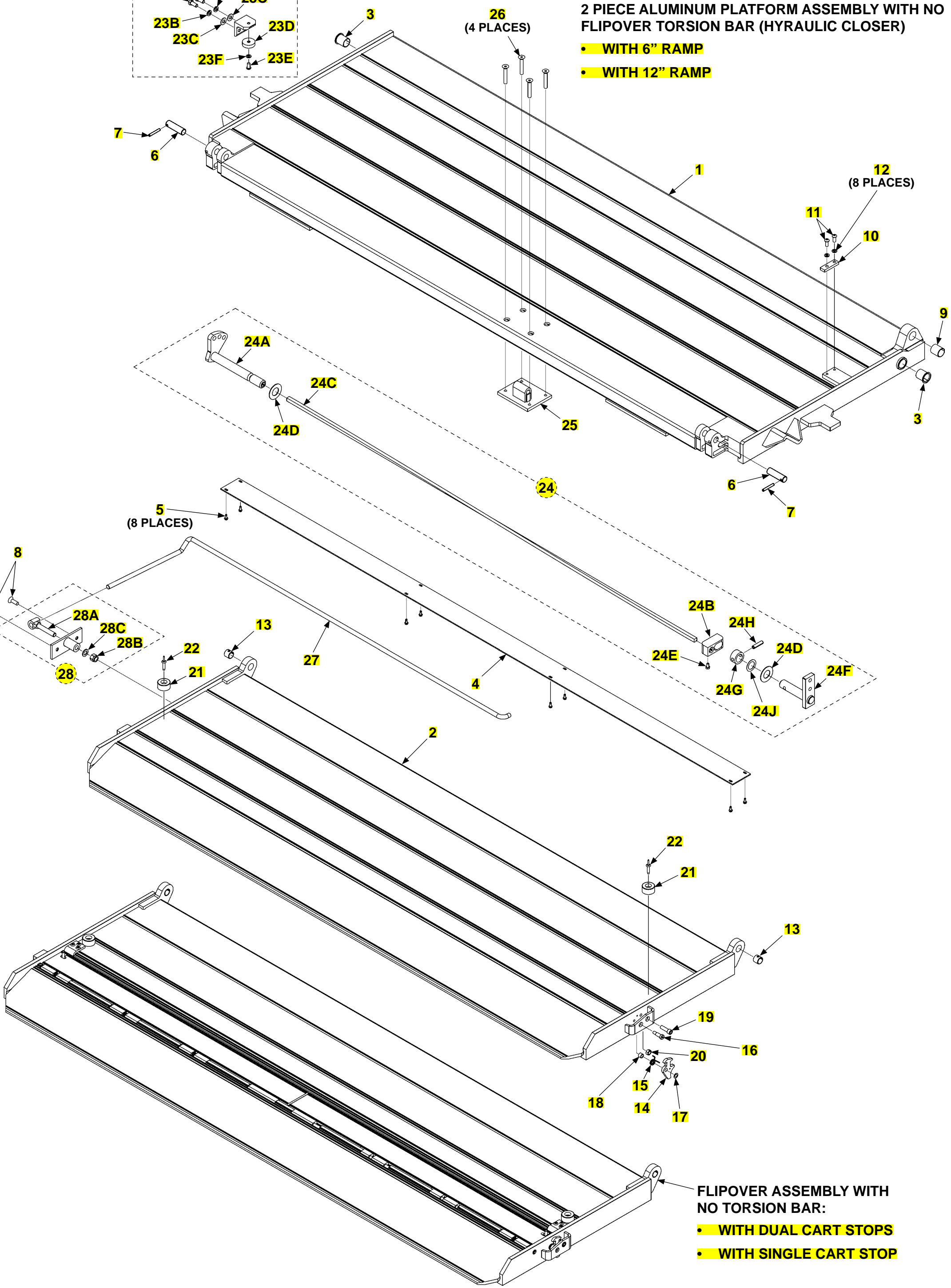
LAST UPDATED
AUG 2018 to present



COMPLETE ASSEMBLY:

2 PIECE ALUMINUM PLATFORM ASSEMBLY WITH NO FLIPOVER TORSION BAR (HYRAULIC CLOSER)

- WITH 6" RAMP
- WITH 12" RAMP



- FLIPOVER ASSEMBLY WITH NO TORSION BAR:
- WITH DUAL CART STOPS
 - WITH SINGLE CART STOP

**2 PIECE ALUMINUM PLATFORM ASSEMBLY WITH FLIPOVER TORSION BAR
(HYDRAULIC CLOSER)**

ITEM	QTY.	PART NO.	DESCRIPTION
REF-6	1	298730-01MG	P/F ASSY, AL, H/C, MAX GRIP, 90X48(30+18+6 FIX)
		298730-02MG	P/F ASSY, AL, H/C, MAX GRIP, 90X54(33+21+6 FIX)
		298730-03MG	P/F ASSY, AL, H/C, MAX GRIP, 90X60(36+24+6 FIX)
		298730-04MG	P/F ASSY, AL, H/C, MAX GRIP, 90X66(39+27+6 FIX)
		298730-05MG	P/F ASSY, AL, H/C, MAX GRIP, 90X72(42+30+6 FIX)
		298730-06MG	P/F ASSY, AL, H/C, MAX GRIP, 96X48(30+18+6 FIX)
		298730-07MG	P/F ASSY, AL, H/C, MAX GRIP, 96X54(33+21+6 FIX)
		298730-08MG	P/F ASSY, AL, H/C, MAX GRIP, 96X60(36+24+6 FIX)
		298730-09MG	P/F ASSY, AL, H/C, MAX GRIP, 96X66(39+27+6 FIX)
		298730-10MG	P/F ASSY, AL, H/C, MAX GRIP, 96X72(42+30+6 FIX)
		298750-01MG	P/F ASSY, AL, H/C, MAX GRIP, 90X48(30+18 DCS+6 FIX)
		298750-02MG	P/F ASSY, AL, H/C, MAX GRIP, 90X54(33+21 DCS+6 FIX)
		298750-03MG	P/F ASSY, AL, H/C, MAX GRIP, 90X60(36+24 DCS+6 FIX)
		298750-04MG	P/F ASSY, AL, H/C, MAX GRIP, 90X66(39+27 DCS+6 FIX)
		298750-05MG	P/F ASSY, AL, H/C, MAX GRIP, 90X72(42+30 DCS+6 FIX)
		298750-06MG	P/F ASSY, AL, H/C, MAX GRIP, 96X48(30+18 DCS+6 FIX)
		298750-07MG	P/F ASSY, AL, H/C, MAX GRIP, 96X54(33+21 DCS+6 FIX)
		298750-08MG	P/F ASSY, AL, H/C, MAX GRIP, 96X60(36+24 DCS+6 FIX)
		298750-09MG	P/F ASSY, AL, H/C, MAX GRIP, 96X66(39+27 DCS+6 FIX)
		298750-10MG	P/F ASSY, AL, H/C, MAX GRIP, 96X72(42+30 DCS+6 FIX)
REF-12	1	298740-01MG	P/F ASSY, AL, H/C, MAX GRIP, 90X42(30+12+12 FIX)
		298740-02MG	P/F ASSY, AL, H/C, MAX GRIP, 90X48(33+15+12 FIX)
		298740-03MG	P/F ASSY, AL, H/C, MAX GRIP, 90X54(36+18+12 FIX)
		298740-04MG	P/F ASSY, AL, H/C, MAX GRIP, 90X60(39+21+12 FIX)
		298740-05MG	P/F ASSY, AL, H/C, MAX GRIP, 90X66(42+24+12 FIX)
		298740-06MG	P/F ASSY, AL, H/C, MAX GRIP, 96X42(30+12+12 FIX)
		298740-07MG	P/F ASSY, AL, H/C, MAX GRIP, 96X48(33+15+12 FIX)
		298740-08MG	P/F ASSY, AL, H/C, MAX GRIP, 96X54(36+18+12 FIX)
		298740-09MG	P/F ASSY, AL, H/C, MAX GRIP, 96X60(39+21+12 FIX)
		298740-10MG	P/F ASSY, AL, H/C, MAX GRIP, 96X66(42+24+12 FIX)
		298760-01MG	P/F ASSY, AL, H/C, MAX GRIP, 90X42(30+12+12 DCS)
		298760-02MG	P/F ASSY, AL, H/C, MAX GRIP, 90X48(33+15+12 DCS)
		298760-03MG	P/F ASSY, AL, H/C, MAX GRIP, 90X54(36+18+12 DCS)
		298760-04MG	P/F ASSY, AL, H/C, MAX GRIP, 90X60(39+21+12 DCS)
		298760-05MG	P/F ASSY, AL, H/C, MAX GRIP, 90X66(42+24+12 DCS)
		298760-06MG	P/F ASSY, AL, H/C, MAX GRIP, 96X42(30+12+12 DCS)
		298760-07MG	P/F ASSY, AL, H/C, MAX GRIP, 96X48(33+15+12 DCS)
		298760-08MG	P/F ASSY, AL, H/C, MAX GRIP, 96X54(36+18+12 DCS)
		298760-09MG	P/F ASSY, AL, H/C, MAX GRIP, 96X60(39+21+12 DCS)
		298760-10MG	P/F ASSY, AL, H/C, MAX GRIP, 96X66(42+24+12 DCS)
298760-11MG	P/F ASSY, AL, H/C, MAX GRIP, 90X42(30+12+12 SCS)		
298760-12MG	P/F ASSY, AL, H/C, MAX GRIP, 90X48(33+15+12 SCS)		
298760-13MG	P/F ASSY, AL, H/C, MAX GRIP, 90X54(36+18+12 SCS)		
298760-14MG	P/F ASSY, AL, H/C, MAX GRIP, 90X60(39+21+12 SCS)		
298760-15MG	P/F ASSY, AL, H/C, MAX GRIP, 90X66(42+24+12 SCS)		
298760-16MG	P/F ASSY, AL, H/C, MAX GRIP, 96X42(30+12+12 SCS)		
298760-17MG	P/F ASSY, AL, H/C, MAX GRIP, 96X48(33+15+12 SCS)		
298760-18MG	P/F ASSY, AL, H/C, MAX GRIP, 96X54(36+18+12 SCS)		
298760-19MG	P/F ASSY, AL, H/C, MAX GRIP, 96X60(39+21+12 SCS)		
298760-20MG	P/F ASSY, AL, H/C, MAX GRIP, 96X66(42+24+12 SCS)		

**2 PIECE ALUMINUM PLATFORM ASSEMBLY WITH FLIPOVER TORSION BAR
(HYDRAULIC CLOSER) - Continued**

ITEM	QTY.	PART NO.	DESCRIPTION
1	1	298725-01MG	P/F WLDMT, AL, 2-PC H/C, 89X30, MG
		298725-02MG	P/F WLDMT, AL, 2-PC H/C, 89X33, MG
		298725-03MG	P/F WLDMT, AL, 2-PC H/C, 89X36, MG
		298725-04MG	P/F WLDMT, AL, 2-PC H/C, 89X39, MG
		298725-05MG	P/F WLDMT, AL, 2-PC H/C, 89X42, MG
		298725-06MG	P/F WLDMT, AL, 2-PC H/C, 95X30, MG
		298725-07MG	P/F WLDMT, AL, 2-PC H/C, 95X33, MG
		298725-08MG	P/F WLDMT, AL, 2-PC H/C, 95X36, MG
		298725-09MG	P/F WLDMT, AL, 2-PC H/C, 95X39, MG
		298725-10MG	P/F WLDMT, AL, 2-PC H/C, 95X42, MG
2	1	298735-01MG	F/O WLDMT, AL, 83X18+6 FIX, MG
		298735-02MG	F/O WLDMT, AL, 83X21+6 FIX, MG
		298735-03MG	F/O WLDMT, AL, 83X24+6 FIX, MG
		298735-04MG	F/O WLDMT, AL, 83X27+6 FIX, MG
		298735-05MG	F/O WLDMT, AL, 83X30+6 FIX, MG
		298735-06MG	F/O WLDMT, AL, 89X18+6 FIX, MG
		298735-07MG	F/O WLDMT, AL, 89X21+6 FIX, MG
		298735-08MG	F/O WLDMT, AL, 89X24+6 FIX, MG
		298735-09MG	F/O WLDMT, AL, 89X27+6 FIX, MG
		298735-10MG	F/O WLDMT, AL, 89X30+6 FIX, MG
		298745-01MG	F/O WLDMT, AL, 83 X12+12 FIX, MG
		298745-02MG	F/O WLDMT, AL, 83 X15+12 FIX, MG
		298745-03MG	F/O WLDMT, AL, 83 X18+12 FIX, MG
		298745-04MG	F/O WLDMT, AL, 83 X21+12 FIX, MG
		298745-05MG	F/O WLDMT, AL, 83 X24+12 FIX, MG
		298745-06MG	F/O WLDMT, AL, 89 X12+12 FIX, MG
		298745-07MG	F/O WLDMT, AL, 89 X15+12 FIX, MG
		298745-08MG	F/O WLDMT, AL, 89 X18+12 FIX, MG
		298745-09MG	F/O WLDMT, AL, 89 X21+12 FIX, MG
		298745-10MG	F/O WLDMT, AL, 89 X24+12 FIX, MG
3	2	908002-06	BEARING SELF LUB Ø1.0 IDX1.25LG
4	1	298401-01	COVER PLATE, AL. PLATFORM, 85.25" LG
		298401-02	COVER PLATE, AL. PLATFORM, 91.25" LG
		298401-03	COVER PLATE, AL. PLATFORM, 83.0IN LG
5	8	030444	SCREW, TAP 10-24X1/2, F, ZC
6	2	298417-01	PIN .75 O.D. X 2.63 LG.
7	2	905033-4	ROLL PIN .250 O.D.X1.75"LG
8	2	900061-5	SCR FLH SOC .375-16 1.25LG SST
9	1	260916-01	BEARING SELF LUBE 1DIA X 1.25IN
10	1	298426-01	LATCH CATCHER, 2-PC PF, DMD
11	2	900763-04	SCREW, BTN .31-18 X .75, SS
12	2	902019-4	WASHER, LOCK S/ST .583ODX.322ID
13	2	260917-01	BEARING, SELF LUBE .75IDX.75
14	1	298424-01	HOOK, FO LATCH, 2-PC PF DMD
15	1	282749-02	SPRING, RH HOOK, .078 WIRE, 302 SS

**2 PIECE ALUMINUM PLATFORM ASSEMBLY WITH FLIPOVER TORSION BAR
(HYDRAULIC CLOSER) - Continued**

ITEM	QTY.	PART NO.	DESCRIPTION
16	1	900723-05	SCREW, SHLDR.38 X .75LG, SS
17	1	902000-9	WASHER, FLAT .375 X.032 THK
18	1	905328-01	BEARING,NYL .38 IDX.5ODX.38 LG
19	1	900065-05	SCREW, SOCHD .375-16UNC-2A 1.25
20	1	901011-5	NUT, HEX HEAD .375-16 UNC-2B
21	2	905314-05	BUMPER, CYL W/WASHER, Ø1.5X.75
22	2	903705-06	RIVET,BLD,DOME,AL/ST Ø.25X1.2
23	1	297684-01	FLIPOVER STOP BUMPER ASSY
23A	2	900764-05	SCREW, HEX CAP .38-16X.88, SS
23B	2	902019-5	WASHER,LOCK S/ST .680ODX.385ID
23C	2	903409-03	WASHER,FEND .41 X.88OD,SS
23D	1	285409-03	BUMPER, 1.5IN OD
23E	1	900763-03	SCREW, BTN .31-18 X .63, SS
23F	1	902019-4	WASHER,LOCK S/ST .583ODX.322ID
24	1	297687-05	1/2 TORSION BAR KIT, H/C DMD
		297687-08	9/16 TORSION BAR KIT, H/C DMD
24A	1	297628-01	LH PIN WELDT, 1/2"
		297757-01	LH PIN WLDMT 9/16IN
24B	1	297689-01	TORSION BAR HOUSING 1/2"
		297762-01	TORSION BAR HOUSING 9/16IN
24C	1	263041-01	TORSION BAR 68.75 LG
		297760-01	TORSION BAR 68.75 LG
24D	2	908078-01	FB THRUST BEARING 1ID
24E	1	900004-1	SCREW, CAP .25-20X.5 GR8 ZC
24F	1	298757-01	1IN PIN WELDT, RH, H/C DMD
24G	1	253630	PIN COLLAR
24H	1	904723-04	PIN, ROLL Ø.38 X 1.5LG, SS
24J	1	903460-01	WASHER, SHIM 1.00 ID X1.50 OD SS
25	1	285728-02	HOLDER WELDT, F/O TORSION BAR
26	4	900061-10	SCR FLH SOC .375-16 2.50LG SST
27	1	298759-01	SS 1/2IN DIA TORSION BAR, FLIPOVER
		298759-03	SS 7/16" DIA TORSION BAR, FLIPOVER
28	1	285595-01	BRACKET ASSY,TORSION BAR
28A	1	267206-01	ANCHOR BOLT WLDMT
28B	1	901010	NUT, NYLON LOCK 1/2-13 ZC
28C	1	902000-14	WASHER, FLAT .500X.063 THK

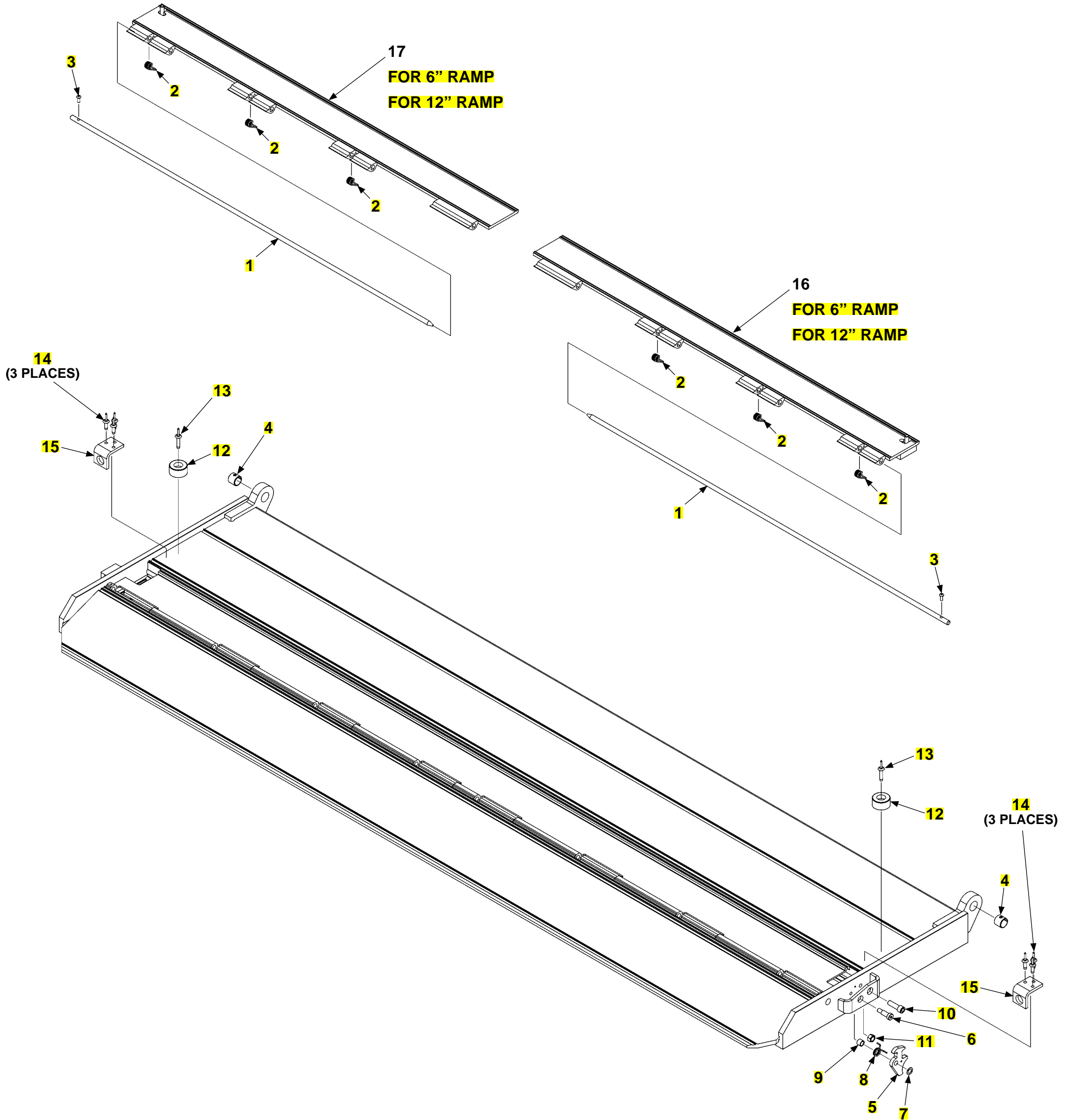
FLIPOVER WITH DUAL CART STOPS (HYDRAULIC CLOSER)

LAST UPDATED
AUG 2018 to present

COMPLETE ASSEMBLY:

FLIPOVER WITH DUAL CART STOPS (HYRAULIC CLOSER)

- FOR PLATFORM ASSEMBLY WITH FLIPOVER TORSION BAR
- FOR PLATFORM ASSEMBLY WITHOUT FLIPOVER TORSION BAR (DISCONTINUED)



**FLIPOVER WITH DUAL CART STOPS
(HYDRAULIC CLOSER)**

ITEM	QTY.	PART NO.	DESCRIPTION
REF NT	1	298755-01MG	F/O ASSY, AL, 83X18 DCS+6 FIX, MG
		298755-06MG	F/O ASSY, AL, 89X18 DCS+6 FIX, MG
		298741-01MG	F/O ASSY, AL, 83X12+12 DCS, MG
		298741-06MG	F/O ASSY, AL, 89X12+12 DCS, MG
REF	1	298755-01MG	F/O ASSY, AL, 83X18 DCS+6 FIX, MG
		298755-02MG	F/O ASSY, AL, 83X21 DCS+6 FIX, MG
		298755-03MG	F/O ASSY, AL, 83X24 DCS+6 FIX, MG
		298755-04MG	F/O ASSY, AL, 83X27 DCS+6 FIX, MG
		298755-05MG	F/O ASSY, AL, 83X30 DCS+6 FIX, MG
		298755-06MG	F/O ASSY, AL, 89X18 DCS+6 FIX, MG
		298755-07MG	F/O ASSY, AL, 89X21 DCS+6 FIX, MG
		298755-08MG	F/O ASSY, AL, 89X24 DCS+6 FIX, MG
		298755-09MG	F/O ASSY, AL, 89X27 DCS+6 FIX, MG
		298755-10MG	F/O ASSY, AL, 89X30 DCS+6 FIX, MG
		298741-01MG	F/O ASSY, AL, 83X12+12 DCS, MG
		298741-02MG	F/O ASSY, AL, 83X15+12 DCS, MG
		298741-03MG	F/O ASSY, AL, 83X18+12 DCS, MG
		298741-04MG	F/O ASSY, AL, 83X21+12 DCS, MG
		298741-05MG	F/O ASSY, AL, 83X24+12 DCS, MG
		298741-06MG	F/O ASSY, AL, 89X12+12 DCS, MG
		298741-07MG	F/O ASSY, AL, 89X15+12 DCS, MG
		298741-08MG	F/O ASSY, AL, 89X18+12 DCS, MG
298741-09MG	F/O ASSY, AL, 89X21+12 DCS, MG		
298741-10MG	F/O ASSY, AL, 89X24+12 DCS, MG		
1	2	287443-22	PIN, CART STOP, 41.5IN LG
		287443-19	PIN, CART STOP, 44.5IN LG
2	6	282729-01	SPRING, C/S .08 WIRE, 302 SS
3	2	900722-03	SCREW, BTN 10-24 X .5, SS
4	2	260917-01	BEARING, SELF LUBE .75IDX.75
5	1	298424-01	HOOK, FO LATCH,2-PC PF DM
6	1	900723-05	SCREW, SHLDR.38 X .75LG, SS
7	1	902000-9	WASHER, FLAT .375 X.032 THK
8	1	282749-02	SPRING,RH HOOK, .078 WIRE, 302 SS
9	1	905328-01	BEARING,NYL .38 IDX.5ODX.38 LG
10	1	900065-05	SCREW, SOCHD .375-16UNC-2A 1.25
11	1	901011-5	NUT, HEX HEAD .375-16 UNC-2B
12	2	905314-05	BUMPER, CYL W/WASHER, Ø1.5X.75
13	2	903705-06	RIVET,BLD,DOME,AL/ST Ø.25X1.2
14	6	903715-04	RIVET,BL/DM,AL/AL Ø.25X.37-.5
15	2	287226-01	CATCH BRACKET
16 6	1	287447-106	C/S ASSY, RAMP DCS, RH, 40.81IN LG
		287447-108	C/S ASSY, RAMP DCS, RH, 43.81IN LG
16 12	1	287447-302	C/S ASSY, 12IN RAMP DCS, RH, 40.81IN LG
		287447-304	C/S ASSY, 12IN RAMP DCS, RH, 43.81IN LG
17 6	1	287447-105	C/S ASSY, RAMP DCS, LH, 40.81IN LG
		287447-107	C/S ASSY, RAMP DCS, LH, 43.81IN LG
17 12	1	287447-301	C/S ASSY, 12IN RAMP DCS, LH, 40.81IN LG
		287447-303	C/S ASSY, 12IN RAMP DCS, LH, 43.81IN LG

FLIPOVER WITH SINGLE CART STOP (HYDRAULIC CLOSER)

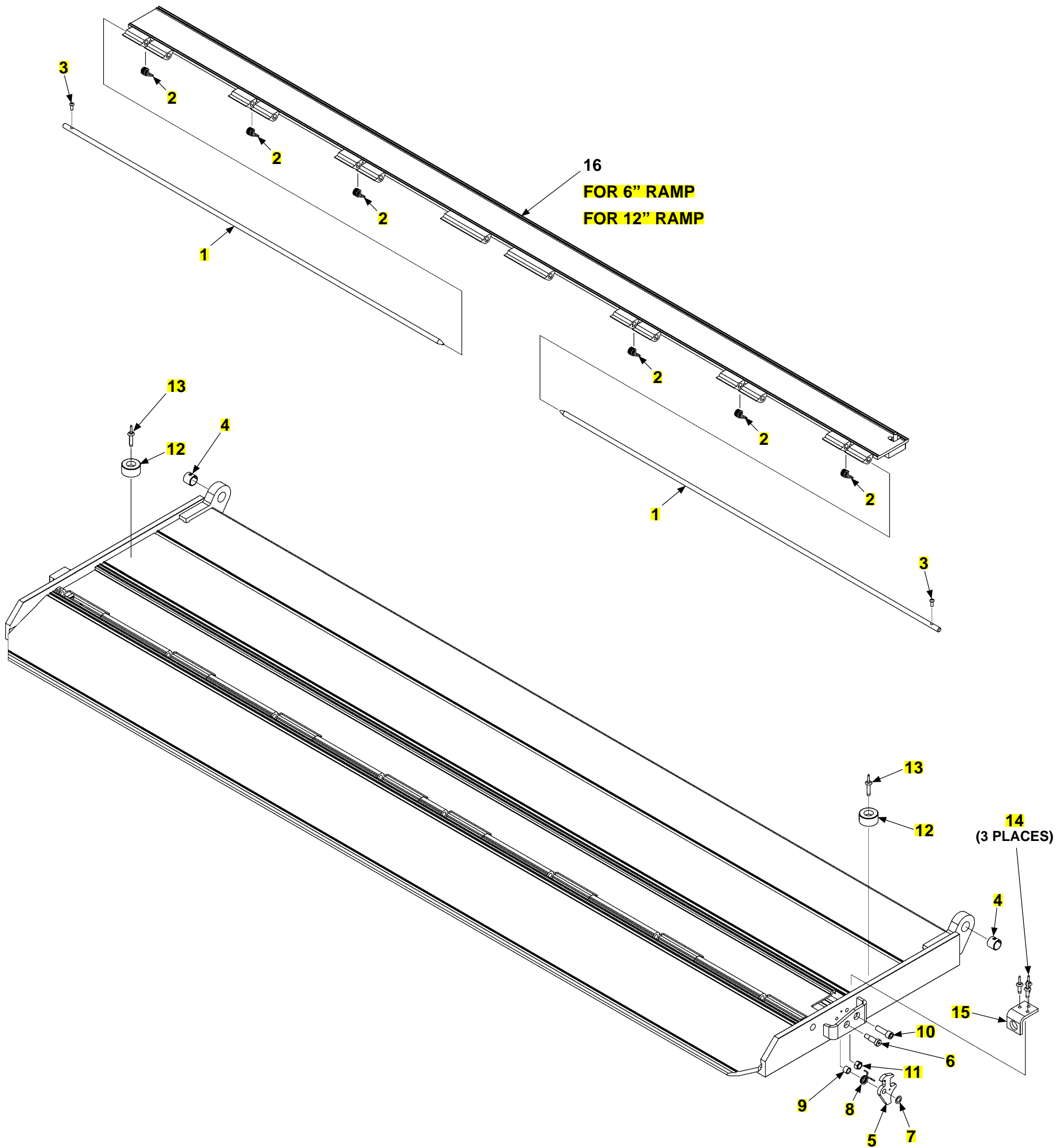
LAST UPDATED
AUG 2018 to present

COMPLETE ASSEMBLY:

FLIPOVER WITH SINGLE CART STOP (HYDRAULIC CLOSER)

- FOR PLATFORM ASSEMBLY WITH FLIPOVER TORSION BAR

- FOR PLATFORM ASSEMBLY WITHOUT FLIPOVER TORSION BAR (DISCONTINUED)



**FLIPOVER WITH SINGLE CART STOP
(HYDRAULIC CLOSER)**

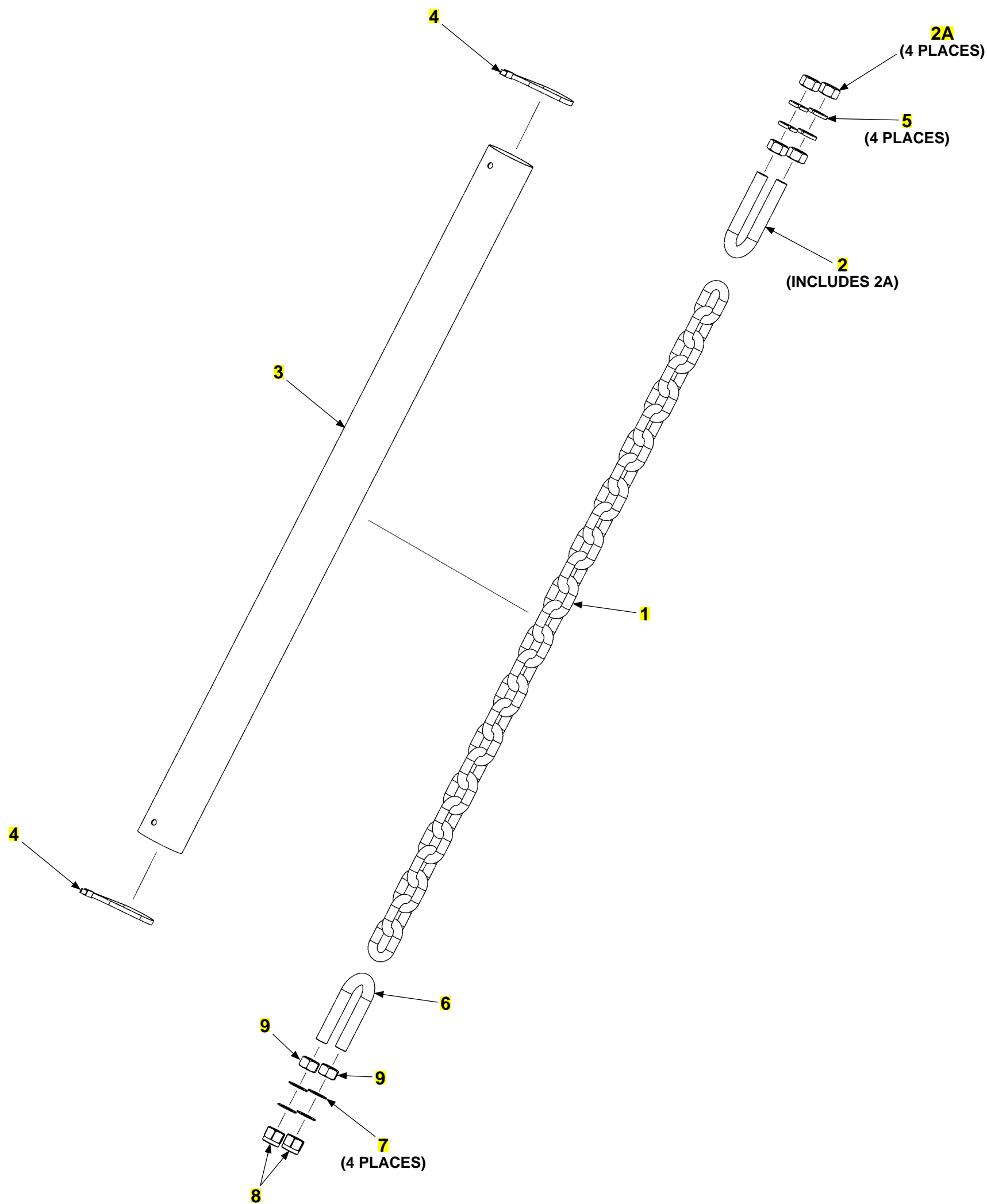
ITEM	QTY.	PART NO.	DESCRIPTION
REF NT	1	298755-11MG	F/O ASSY, AL, 83X18 SCS+6 FIX, MG
		298755-16MG	F/O ASSY, AL, 89X18 SCS+6 FIX, MG
		298741-11MG	F/O ASSY, AL, 83X12+12 SCS, MG
		298741-16MG	F/O ASSY, AL, 89X12+12 SCS, MG
REF	1	298755-11MG	F/O ASSY, AL, 83X18 SCS+6 FIX, MG
		298755-12MG	F/O ASSY, AL, 83X21 SCS+6 FIX, MG
		298755-13MG	F/O ASSY, AL, 83X24 SCS+6 FIX, MG
		298755-14MG	F/O ASSY, AL, 83X27 SCS+6 FIX, MG
		298755-15MG	F/O ASSY, AL, 83X30 SCS+6 FIX, MG
		298755-16MG	F/O ASSY, AL, 89X18 SCS+6 FIX, MG
		298755-17MG	F/O ASSY, AL, 89X21 SCS+6 FIX, MG
		298755-18MG	F/O ASSY, AL, 89X24 SCS+6 FIX, MG
		298755-19MG	F/O ASSY, AL, 89X27 SCS+6 FIX, MG
		298755-20MG	F/O ASSY, AL, 89X30 SCS+6 FIX, MG
		298741-11MG	F/O ASSY, AL, 83X12+12 SCS, MG
		298741-12MG	F/O ASSY, AL, 83X15+12 SCS, MG
		298741-13MG	F/O ASSY, AL, 83X18+12 SCS, MG
		298741-14MG	F/O ASSY, AL, 83X21+12 SCS, MG
		298741-15MG	F/O ASSY, AL, 83X24+12 SCS, MG
		298741-16MG	F/O ASSY, AL, 89X12+12 SCS, MG
		298741-17MG	F/O ASSY, AL, 89X15+12 SCS, MG
		298741-18MG	F/O ASSY, AL, 89X18+12 SCS, MG
		298741-19MG	F/O ASSY, AL, 89X21+12 SCS, MG
		298741-20MG	F/O ASSY, AL, 89X24+12 SCS, MG
1	2	287443-22	PIN, CART STOP, 41.5IN LG
		287443-19	PIN, CART STOP, 44.5IN LG
2	6	282729-01	SPRING, C/S .08 WIRE, 302 SS
3	2	900722-03	SCREW, BTN 10-24 X .5, SS
4	2	260917-01	BEARING, SELF LUBE .75IDX.75
5	1	298424-01	HOOK, FO LATCH,2-PC PF DM
6	1	900723-05	SCREW, SHLDR.38 X .75LG, SS
7	1	902000-9	WASHER, FLAT .375 X.032 THK
8	1	282749-02	SPRING,RH HOOK, .078 WIRE, 302 SS
9	1	905328-01	BEARING,NYL .38 IDX.5ODX.38 LG
10	1	900065-05	SCREW, SOCHD .375-16UNC-2A 1.25
11	1	901011-5	NUT, HEX HEAD .375-16 UNC-2B
12	2	905314-05	BUMPER, CYL W/WASHER, Ø1.5X.75
13	2	903705-06	RIVET,BLD,DOME,AL/ST Ø.25X1.2
14	3	903715-04	RIVET,BL/DM,AL/AL Ø.25X.37-.5
15	1	287226-01	CATCH BRACKET
16 6	1	287447-151	C/S ASSY, RAMP SCS, RH, 81.88IN LG
		287447-152	C/S ASSY, RAMP SCS, RH, 87.88IN LG
16 12	1	287447-351	C/S ASSY, 12IN RAMP SCS, RH, 81.88IN LG
		287447-352	C/S ASSY, 12IN RAMP SCS, RH, 87.88IN LG

CHAIN ASSEMBLY

LAST UPDATED
AUG 2018 to present

COMPLETE ASSEMBLY:

CHAIN ASSEMBLY



CHAIN ASSEMBLY

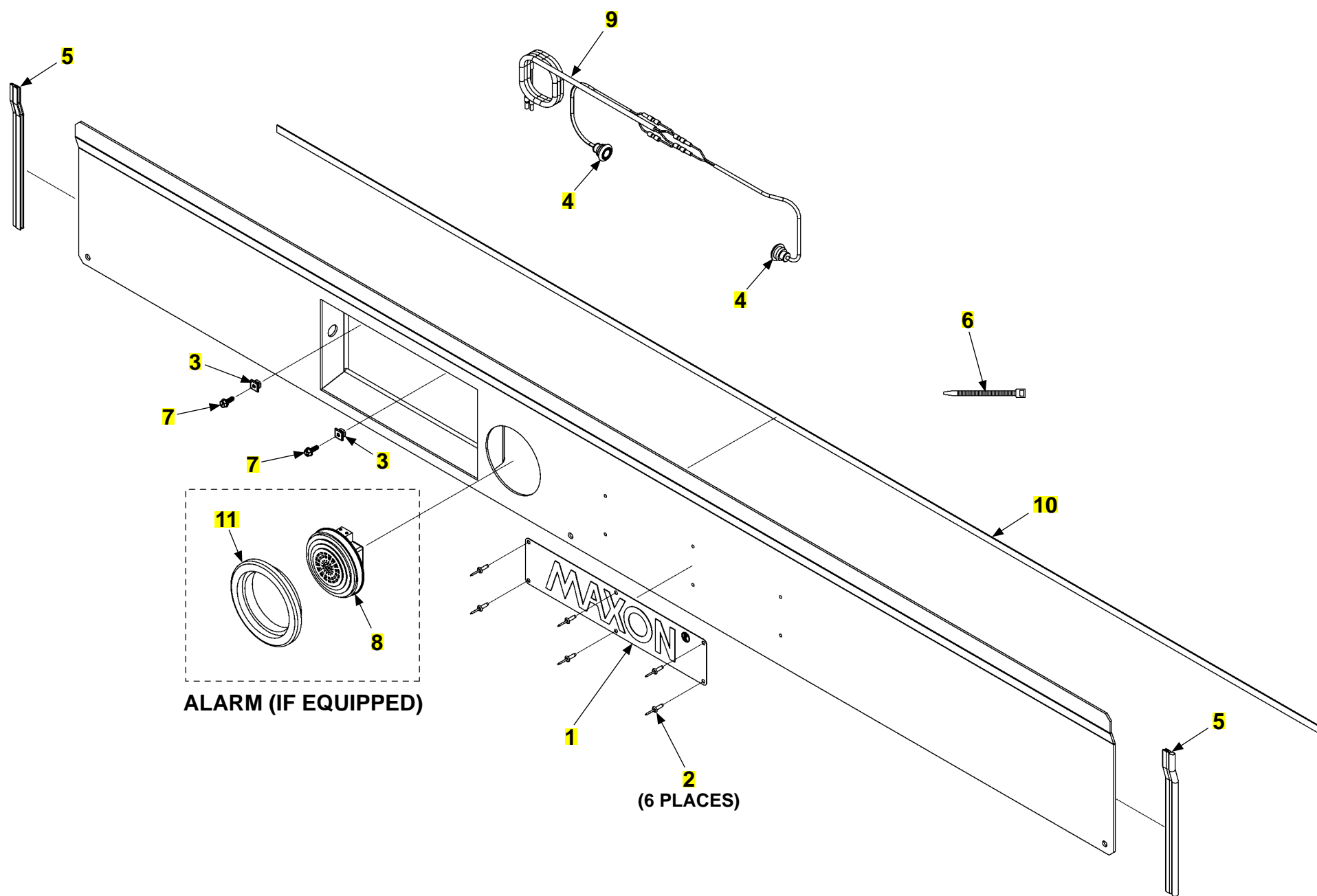
ITEM	QTY.	PART NO.	DESCRIPTION
REF	1	297686-01	CHAIN ASSY
1	1	253606-32	CHAIN 32.38"LG
2	1	288727-01	U-BOLT, 1/2" O.D.
2A	4	903107-05	NUT, HEX .5-20 UNF SS
3	1	261609-12	SLEEVE, PROT. CHAIN, 32.75 LG
4	2	205780	TIE, PLASTIC 7" (50 LB)
5	4	902019-7	WASHER, LOCK S/ST .869ODX.512ID
6	1	282854-01	U-BOLT
7	4	903456-02	WASHER, FLATØ.5X.03 THK, S
8	2	903117-01	NUT, NYLON .5-13 UNC-2B SS
9	2	903107-04	NUT, HEX .5-13 UNC SS

COVER ASSEMBLY (NO LIGHTS) 12V

LAST UPDATED
AUG 2018 to present

COMPLETE ASSEMBLY:

COVER ASSEMBLY (NO LIGHTS) 12V



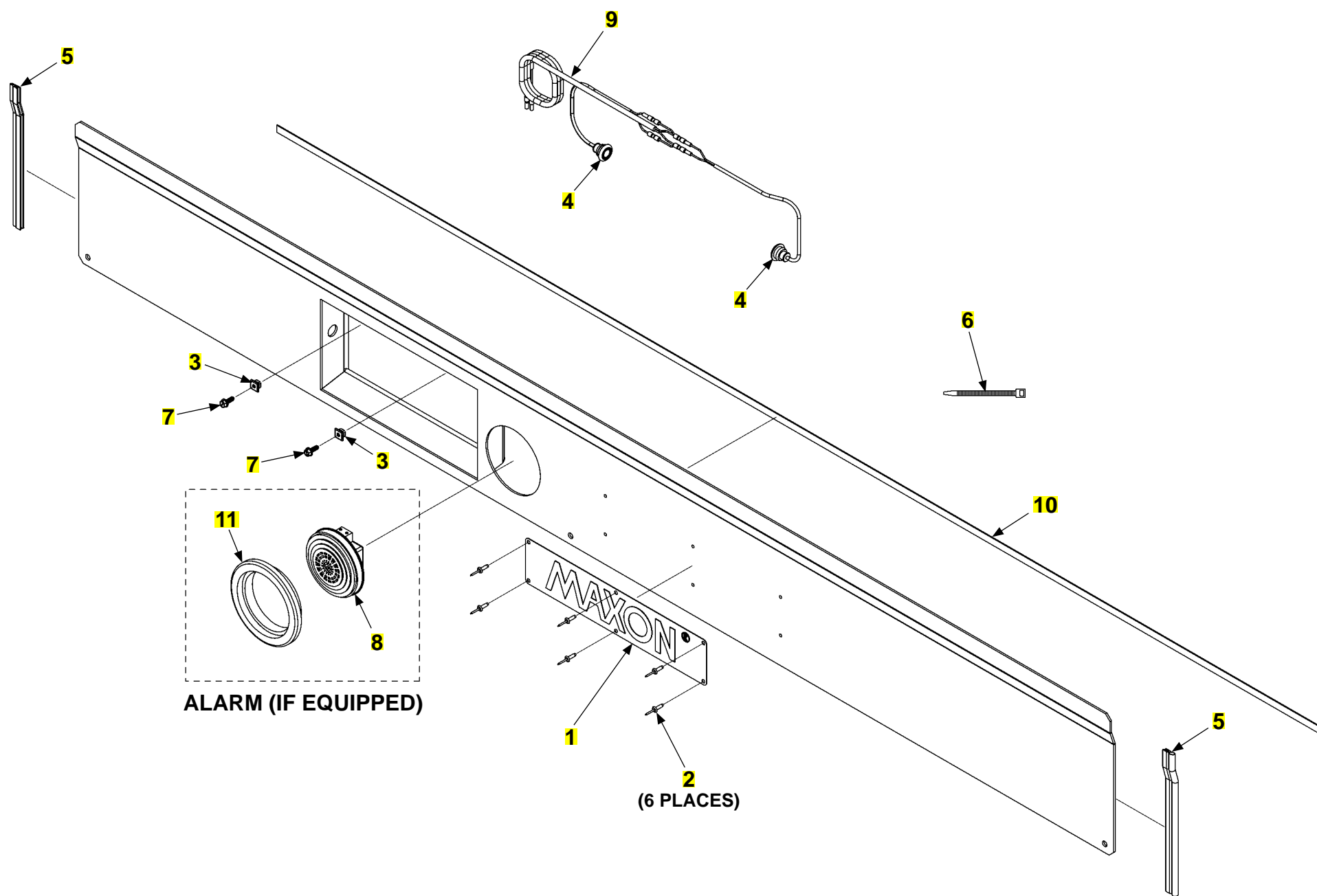
ITEM	QTY.	PART NO.	DESCRIPTION
REF	1	297910-01	AL.COVER ASSY,W/O LTS,ALARM,96"BODY,12V
		297910-09	AL.COVER ASSY,W/O LTS,96"BODY,12V
		297910-02	AL.COVER ASSY,W/O LTS,ALARM,102"BODY,12V
		297910-10	AL.COVER ASSY,W/O LTS,102"BODY,12V
1	1	050175	PLATE, MAXON HORZ 3.25X15X.032
2	6	207644	RIVET, BLND .19 X .58 DOME
3	2	901015-03	NUT, GROMMET NYLON SQHD #.25
4	2	907349-01	12V LED LICENSE PLATE LIGHT, TECNIQ
5	2	093262-10	TOP SEAL EDGE TRIM, 1/8IN EDGE, 10.25IN LG
6	3	205780	TIE, PLASTIC 7" (50 LB)
7	2	030460	SCREW 1/4 X 3/4"
8	1	907146-01	BACK-UP ALARM
9	1	297798-01	HARNESS ASSY, LICENSE PLATE, 48" LG
10	1	283716-03	VINYL/BUNA-N RUBBER, 86.25" LG
		283716-04	VINYL/BUNA-N RUBBER, 92.25" LG
11	1	226412	LIGHT GROMMET

COVER ASSEMBLY (NO LIGHTS) 24V

LAST UPDATED
NOV 2019 to present

COMPLETE ASSEMBLY:

COVER ASSEMBLY (NO LIGHTS) 24V



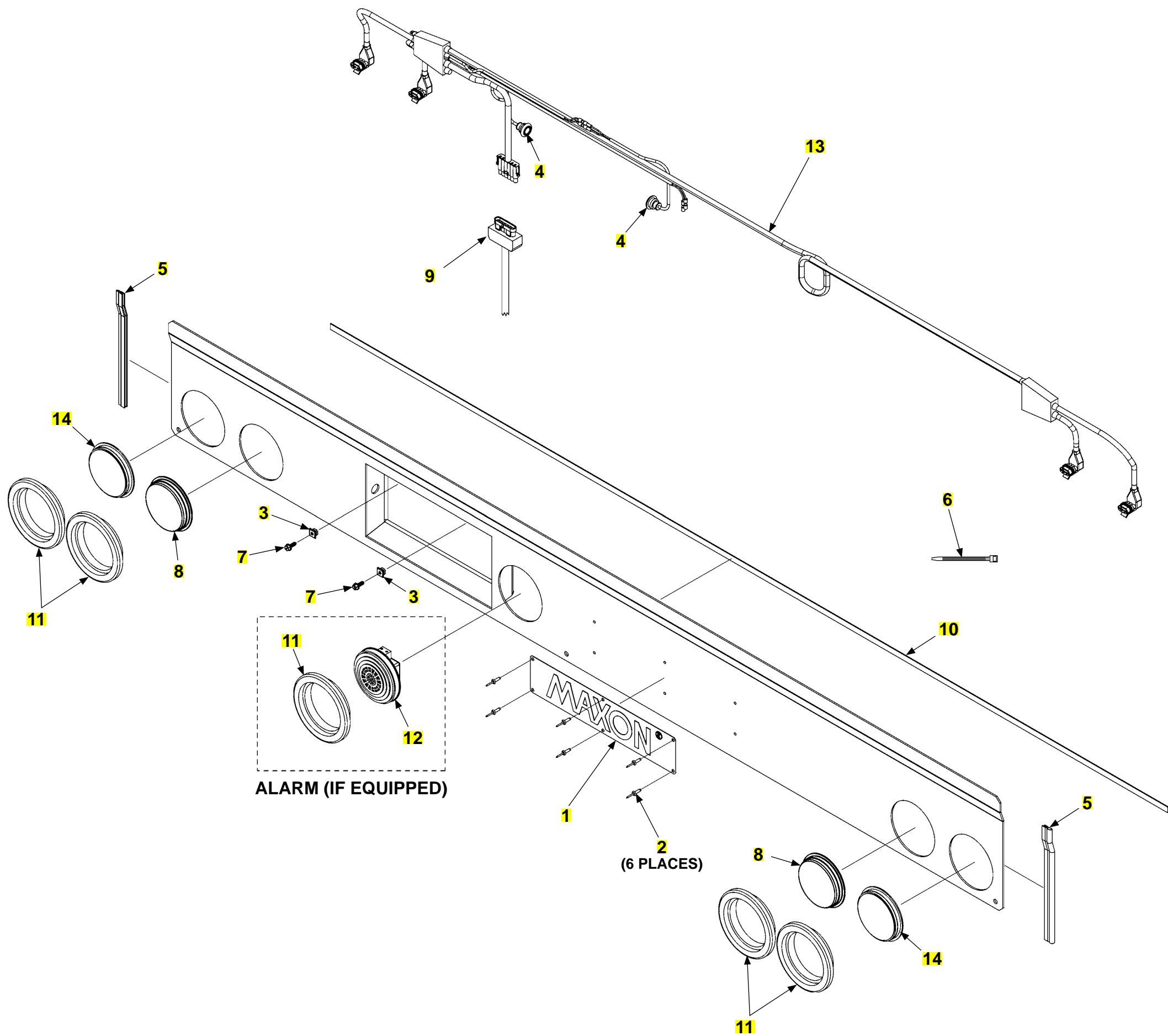
ITEM	QTY.	PART NO.	DESCRIPTION
REF	1	297910-01-24	AL COVER ASSY, W/O LTS, ALARM, 96IN BODY, 24V
		297910-09-24	AL COVER ASSY, W/O LTS, 96IN BODY, 24V
		297910-02-24	AL COVER ASSY, W/O LTS, ALARM, 102IN BODY, 24V
		297910-10-24	AL COVER ASSY, W/O LTS, 96IN BODY, 24V
1	1	050175	PLATE, MAXON HORZ 3.25X15X.032
2	6	207644	RIVET, BLND .19 X .58 DOME
3	2	901015-03	NUT, GROMMET NYLON SQHD #.25
4	2	907445-01	LED LICENSE PLATE LIGHT, 9-32V
5	2	093262-10	TOP SEAL EDGE TRIM, 1/8IN EDGE, 10.25IN LG
6	3	205780	TIE, PLASTIC 7" (50 LB)
7	2	030460	SCREW 1/4 X 3/4"
8	1	299591-01	ALARM, BACK UP, 97 DB, 12-24V, ASSY.
9	1	297798-01	HARNESS ASSY, LICENSE PLATE, 48" LG
10	1	283716-03	VINYL/BUNA-N RUBBER, 86.25" LG
		283716-04	VINYL/BUNA-N RUBBER, 92.25" LG
11	1	226412	LIGHT GROMMET

COVER ASSEMBLY (4 LIGHTS) 12V

LAST UPDATED
AUG 2018 to present

COMPLETE ASSEMBLY:

COVER ASSEMBLY (4 LIGHTS) 12V



COVER ASSEMBLY (4 LIGHTS) 12V

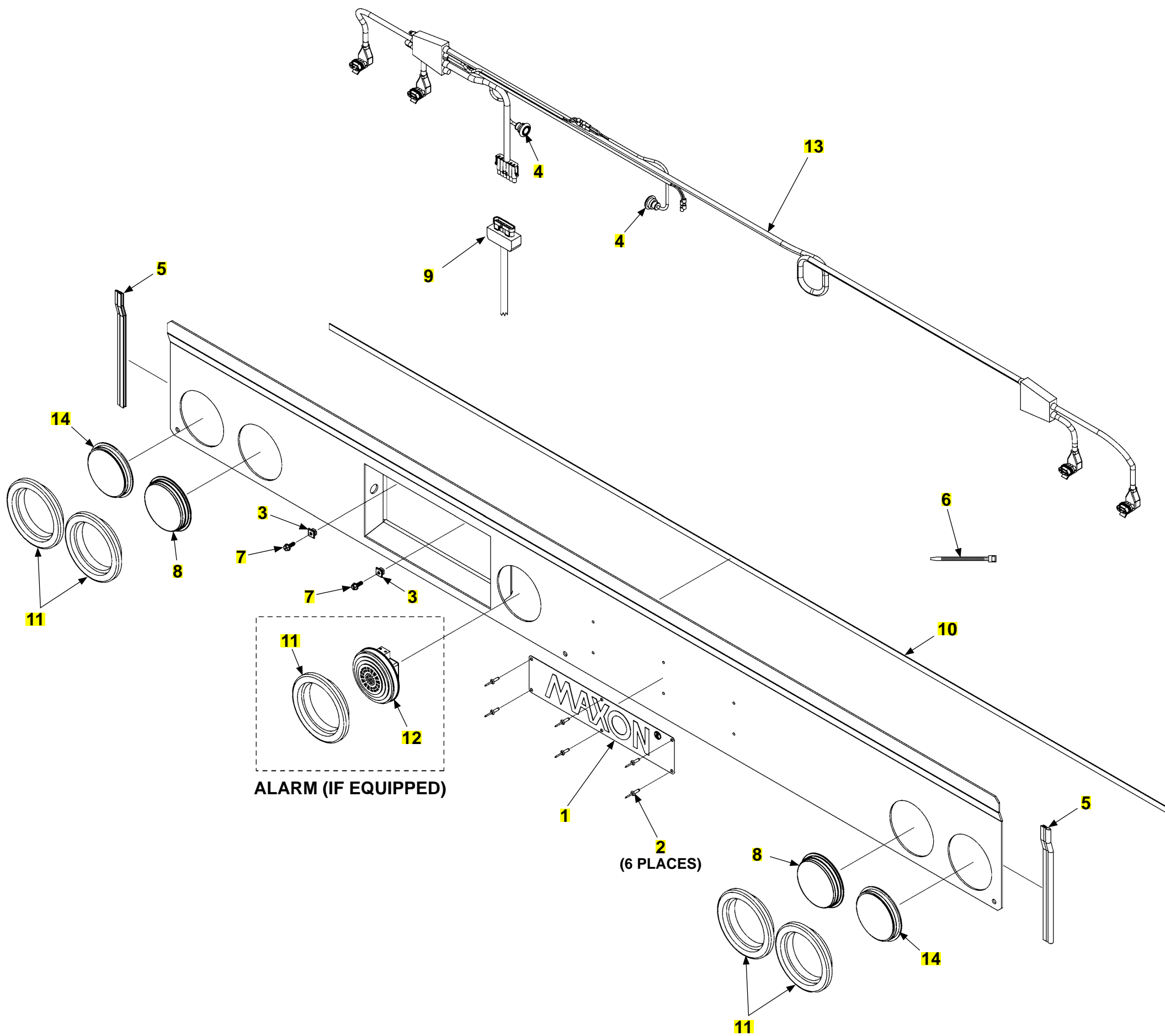
ITEM	QTY.	PART NO.	DESCRIPTION
REF	1	297910-03	AL.COVER ASSY,4 LTS(2R2W),ALARM,96"BODY,12V
		297910-11	AL.COVER ASSY,4 LTS(2R2W),96"BODY,12V
		297910-04	AL.COVER ASSY,4 LTS(2R2W),ALARM,102"BODY,12V
		297910-12	AL.COVER ASSY,4 LTS(2R2W),102"BODY,12V
1	1	050175	PLATE, MAXON HORZ 3.25X15X.032
2	6	207644	RIVET, BLND .19 X .58 DOME
3	2	901015-03	NUT, GROMMET NYLON SQHD #.25
4	2	907349-01	12V LED LICENSE PLATE LIGHT, TECNIQ
5	2	093262-10	TOP SEAL EDGE TRIM, 1/8IN EDGE, 10.25IN LG
6	7	205780	TIE, PLASTIC 7" (50 LB)
7	2	030460	SCREW 1/4 X 3/4"
8	2	908273-01	4" LED BACKUP LT, MOD 44, TRUCK-LITE
9	1	297491-01	JUMPER, FOREIGN & DOMESTIC ASSY
		297491-02	JUMPER, ISUZU TRUCK
		286553-02	JUMPER, UTILIMASTER & MORGAN OLSON
10	1	283716-03	VINYL/BUNA-N RUBBER, 86.25" LG
		283716-04	VINYL/BUNA-N RUBBER, 92.25" LG
11	5	226412	LIGHT GROMMET
12	1	907146-01	BACK-UP ALARM
13	1	297796-01	HARNESS ASSY, 4LTS, F/DOMESTIC
14	2	908271-01	4" RED LED LT, MOD 44, TRUCK-LITE

COVER ASSEMBLY (4 LIGHTS) 24V

LAST UPDATED
NOV 2019 to present

COMPLETE ASSEMBLY:

COVER ASSEMBLY (4 LIGHTS) 24V



COVER ASSEMBLY (4 LIGHTS) 24V

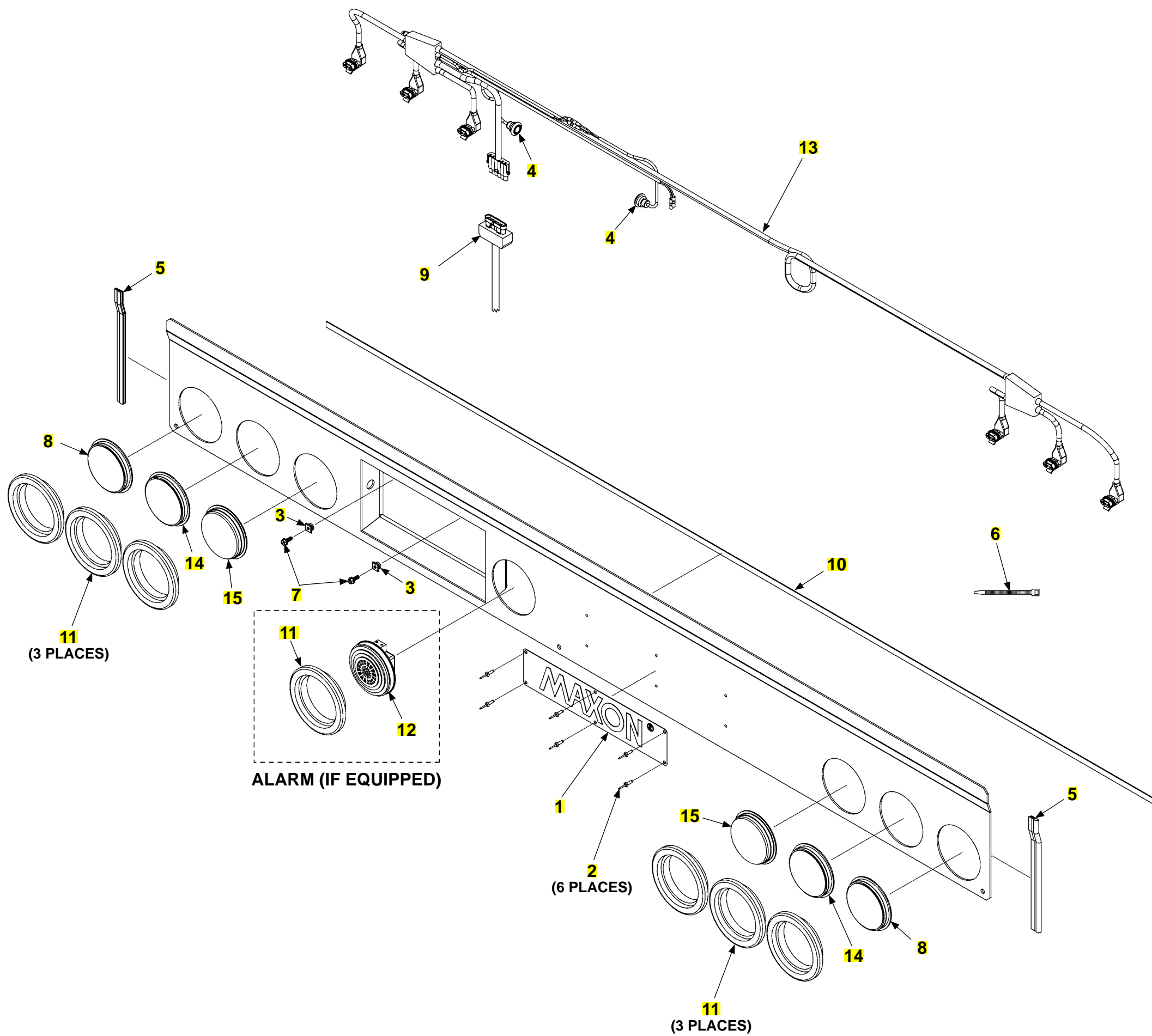
ITEM	QTY.	PART NO.	DESCRIPTION
REF	1	297910-03-24	AL COVER ASSY, 4LTS(2R2W), ALARM, 96IN BODY, 24V
		297910-11-24	AL COVER ASSY, 4LTS(2R2W), 96IN BODY, 24V
		297910-04-24	AL COVER ASSY, 4LTS(2R2W), ALARM, 102IN BODY, 24V
		297910-12-24	AL COVER ASSY, 4LTS(2R2W), 102IN BODY, 24V
1	1	050175	PLATE, MAXON HORZ 3.25X15X.032
2	6	207644	RIVET, BLND .19 X .58 DOME
3	2	901015-03	NUT, GROMMET NYLON SQHD #.25
4	2	907445-01	LED LICENSE PLATE LIGHT, 9-32V
5	2	093262-10	TOP SEAL EDGE TRIM, 1/8IN EDGE, 10.25IN LG
6	7	205780	TIE, PLASTIC 7" (50 LB)
7	2	030460	SCREW 1/4 X 3/4"
8	2	907446-24	4" CLEAR LED BACKUP LT, MOD 44, TRUCK-LITE, 24V
9	1	297491-01	JUMPER, FOREIGN & DOMESTIC ASSY
		297491-02	JUMPER, ISUZU TRUCK
		286553-02	JUMPER, UTILIMASTER & MORGAN OLSON
10	1	283716-03	VINYL/BUNA-N RUBBER, 86.25" LG
		283716-04	VINYL/BUNA-N RUBBER, 92.25" LG
11	5	226412	LIGHT GROMMET
12	1	299591-01	ALARM, BACK UP, 97 DB, 12-24V, ASSY.
13	1	297796-01	HARNESS ASSY, 4LTS, F/DOMESTIC
14	2	907442-24	4" RED LED LT, MOD44 S/T/T, TRUCK-LITE, 24V

COVER ASSEMBLY (6 LIGHTS) 12V

LAST UPDATED
AUG 2018 to present

COMPLETE ASSEMBLY:

COVER ASSEMBLY (6 LIGHTS) 12V



COVER ASSEMBLY (6 LIGHTS) 12V

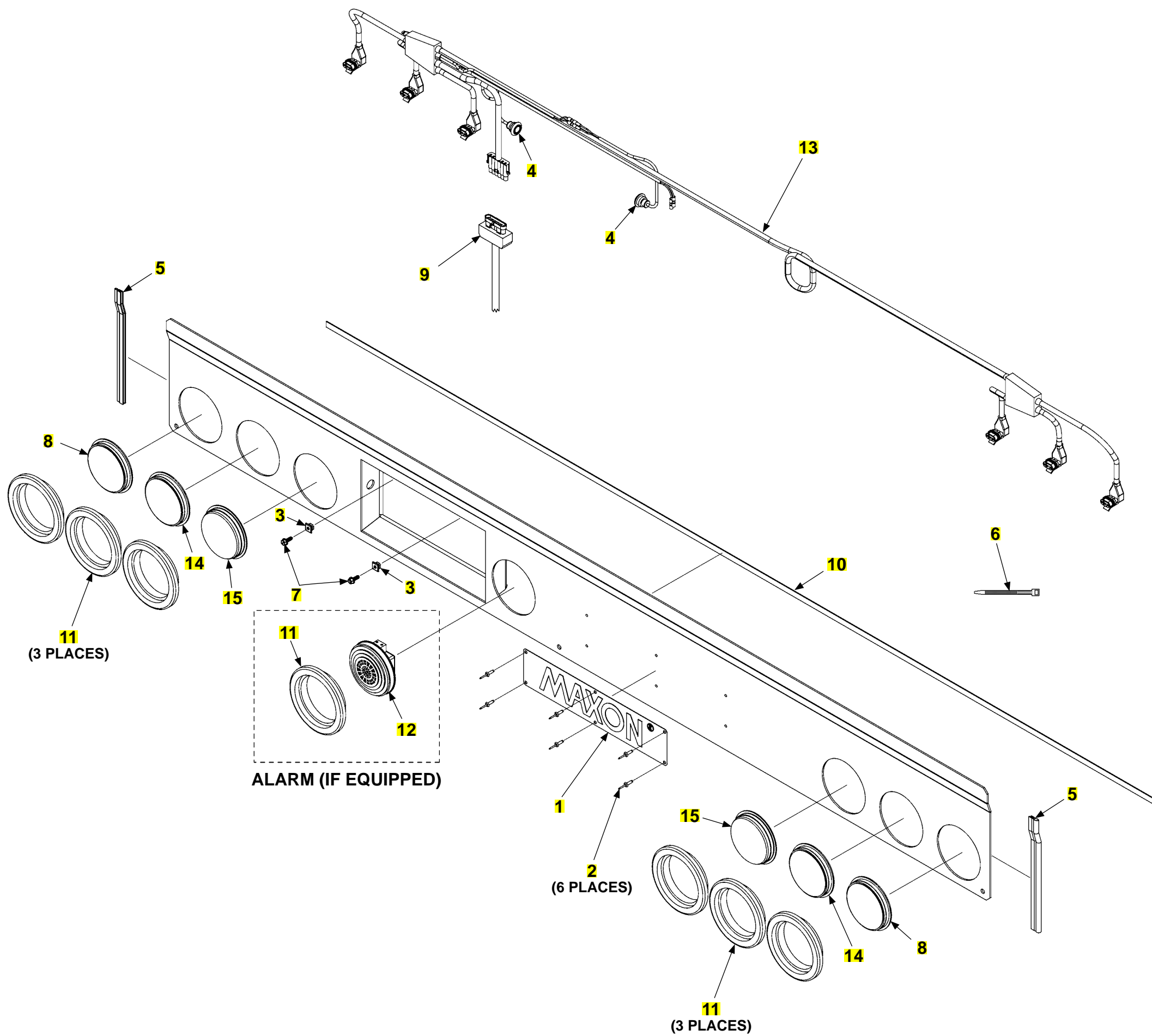
ITEM	QTY.	PART NO.	DESCRIPTION
REF	1	297910-05	AL.FRGN COVER ASSY,6 LTS(2R2W2Y),ALARM,96"BODY,12V
		297910-07	AL.FRGN COVER ASSY,6 LTS(4R2W),ALARM,96"BODY,12V
		297910-13	AL.FRGN COVER ASSY,6 LTS(2R2W2Y),96"BODY,12V
		297910-15	AL.FRGN COVER ASSY,6 LTS(4R2W),96"BODY,12V
		297910-06	AL.FRGN COVER ASSY,6 LTS(2R2W2Y),ALARM,102"BODY,12V
		297910-08	AL.FRGN COVER ASSY,6 LTS(4R2W),ALARM,102"BODY,12V
		297910-14	AL.FRGN COVER ASSY,6 LTS(2R2W2Y),102" BODY,12V
		297910-16	AL.FRGN COVER ASSY,6 LTS(4R2W),102"BODY,12V
1	1	050175	PLATE, MAXON HORZ 3.25X15X.032
2	6	207644	RIVET, BLND .19 X .58 DOME
3	2	901015-03	NUT, GROMMET NYLON SQHD #.25
4	2	907349-01	12V LED LICENSE PLATE LIGHT, TECNIQ
5	2	093262-10	TOP SEAL EDGE TRIM, 1/8IN EDGE, 10.25IN LG
6	7	205780	TIE, PLASTIC 7" (50 LB)
7	2	030460	SCREW 1/4 X 3/4"
8	2	908272-01	4" YELLOW LED LT, MOD44, TRUCK-LITE
		908271-01	4" RED LED LT, MOD 44, TRUCK-LITE
9	1	297491-01	JUMPER, FOREIGN & DOMESTIC ASSY
		297491-02	JUMPER, ISUZU TRUCK
		286553-02	JUMPER, UTILIMASTER & MORGAN OLSON
10	1	283716-03	VINYL/BUNA-N RUBBER, 86.25" LG
		283716-04	VINYL/BUNA-N RUBBER, 92.25" LG
11	7	226412	LIGHT GROMMET
12	1	907146-01	BACK-UP ALARM
13	1	297797-01	HARNESS ASSY, 6LTS, FOREIGN
14	2	908271-01	4" RED LED LT, MOD 44, TRUCK-LITE
15	2	908273-01	4" LED BACKUP LT, MOD 44, TRUCK-LITE

COVER ASSEMBLY (6 LIGHTS) 24V

LAST UPDATED
NOV 2019 to present

COMPLETE ASSEMBLY:

COVER ASSEMBLY (6 LIGHTS) 24V



COVER ASSEMBLY (6 LIGHTS) 24V

ITEM	QTY.	PART NO.	DESCRIPTION
REF	1	297910-05-24	AL FRGN COVER ASSY, 6LTS (2R2W2Y), ALARM, 96IN BODY, 24V
		297910-07-24	AL FRGN COVER ASSY, 6LTS(4R2W), ALARM, 96IN BODY, 24V
		297910-13-24	AL FRGN COVER ASSY, 6LTS(2R2W2Y), 96IN BODY, 24V
		297910-15-24	AL FRGN COVER ASSY, 6LTS(4R2W), 96IN BODY, 24V
		297910-06-24	AL FRGN COVER ASSY, 6LTS (2R2W2Y), ALARM, 102IN BODY, 24V
		297910-08-24	AL FRGN COVER ASSY, 6LTS(4R2W), ALARM, 102IN BODY, 24V
		297910-14-24	AL FRGN COVER ASSY, 6LTS(2R2W2Y), 102IN BODY, 24V
		297910-16-24	AL FRGN COVER ASSY, 6LTS(4R2W), 102IN BODY, 24V
1	1	050175	PLATE, MAXON HORZ 3.25X15X.032
2	6	207644	RIVET, BLND .19 X .58 DOME
3	2	901015-03	NUT, GROMMET NYLON SQHD #.25
4	2	907445-01	LED LICENSE PLATE LIGHT, 9-32V
5	2	093262-10	TOP SEAL EDGE TRIM, 1/8IN EDGE, 10.25IN LG
6	7	205780	TIE, PLASTIC 7" (50 LB)
7	2	030460	SCREW 1/4 X 3/4"
8	2	907443-24	4IN YELLOW LED LT, MOD44, REAR TURN SIGNAL, TRUCK-LITE, 24V
		907442-24	4IN RED LED LT, MOD44 S/T/T, TRUCK-LITE, 24V
9	1	297491-01	JUMPER, FOREIGN & DOMESTIC ASSY
		297491-02	JUMPER, ISUZU TRUCK
		286553-02	JUMPER, UTILIMASTER & MORGAN OLSON
10	1	283716-03	VINYL/BUNA-N RUBBER, 86.25" LG
		283716-04	VINYL/BUNA-N RUBBER, 92.25" LG
11	7	226412	LIGHT GROMMET
12	1	299591-01	ALARM, BACK UP, 97 DB, 12-24V, ASSY.
13	1	297797-01	HARNESS ASSY, 6LTS, FOREIGN
14	2	907442-24	4IN RED LED LT, MOD44 S/T/T, TRUCK-LITE, 24V
15	2	907446-24	4IN CLEAR LED BACKUP LT, MOD 44, TRUCK-LITE, 24V

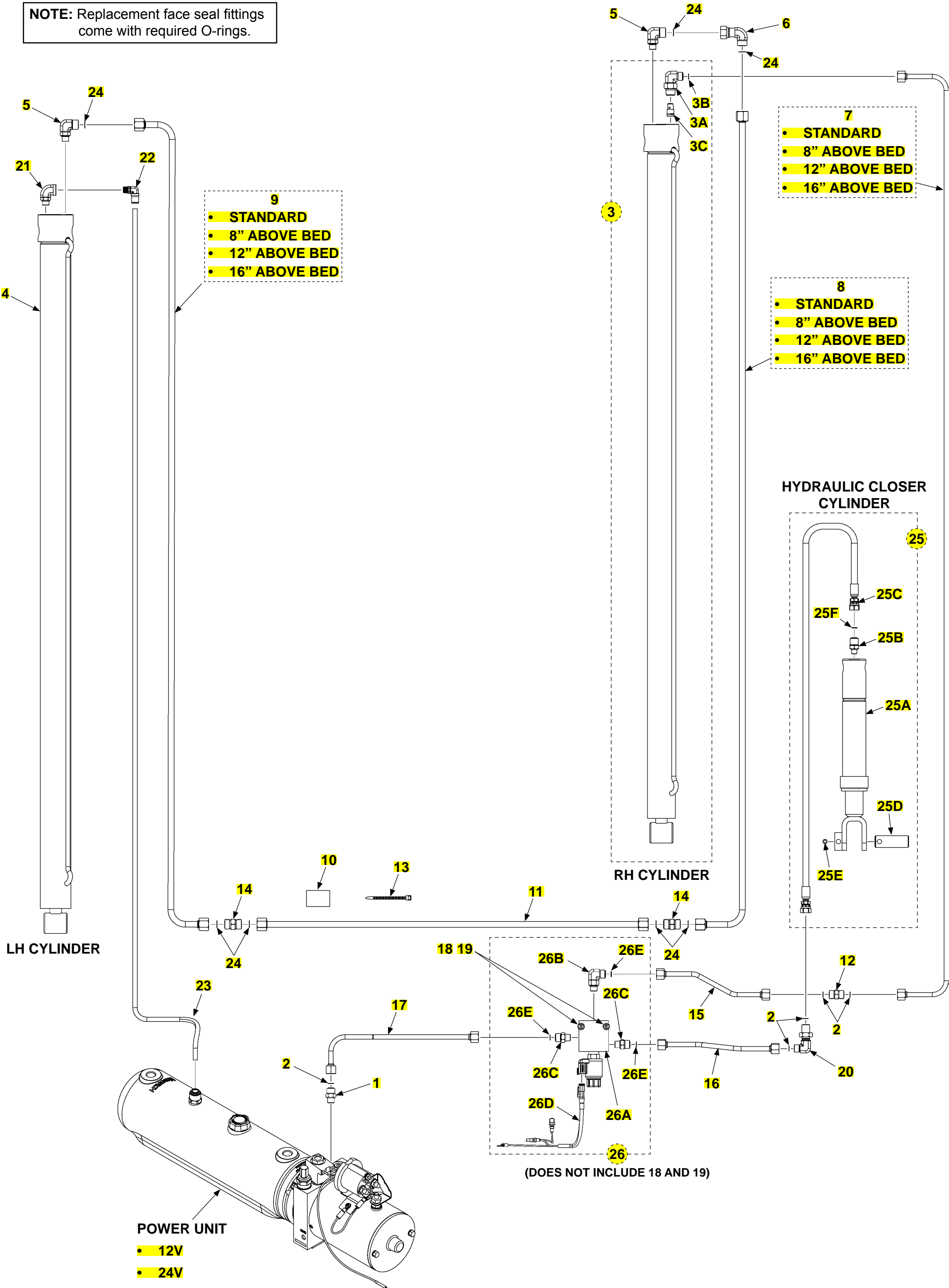
HYDRAULIC SYSTEMS (MANUAL CLOSER)

ITEM	QTY.	PART NO.	DESCRIPTION
1	1	905173	CONNECTOR F/S#6&O-RING#6, M-M
2	3	906712-02	O-RING #6 (3/8" FACE SEAL TUBE-END)
3	1	296916-01	MASTER CYL, 2.016X52.31X1
3A	1	290270	ELBOW, 90, SAE6-8, ORFS
3B	1	906712-02	O-RING #6 (3/8" FACE SEAL TUBE-END)
3C	1	269413	POPPET ASSY, PCMP FL,GPM2.00
4	1	296917-01	SLAVE CYL, 2.25X52.31X1
5	2	905158	ELBOW STRAIGHT, F/S#-O-R #6
6	1	906800-02	ELBOW, SW NUT, ORFS/ORFS SW #8
7 S	1	297001-01	F/S TUBE ASSY RH, STD.
7 16 AB	1	297001-02	F/S TUBE ASSY RH, 79.75" LG
7 12 AB	1	297001-03	F/S TUBE ASSY RH, 75.75" LG
7 8 AB	1	297001-04	F/S TUBE ASSY RH, 71.75" LG
8 S	1	296994-01	F/S TUBE ASSY, RETURN LINE RH STD
8 16 AB	1	296994-02	F/S TUBE ASSY, RH, 76.88" LG
8 12 AB	1	296994-03	F/S TUBE ASSY, RH, 72.88" LG
8 8 AB	1	296994-04	F/S TUBE ASSY, RH, 68.88" LG
9 S	1	296993-01	F/S TUBE ASSY, COLUMN LH, STD
9 16 AB	1	296993-02	F/S TUBE ASSY, LH CLMN, 78.19" LG
9 12 AB	1	296993-03	F/S TUBE ASSY, LH CLMN, 74.19" LG
9 8 AB	1	296993-04	F/S TUBE ASSY, LH CLMN, 70.19" LG
10	1	210192-01	3/8 TUBE ASSY, AB MC 96IN DMD
		210192-02	3/8 TUBE ASSY, AB MC 102IN DMD
		210192-03	3/8 TUBE ASSY, STD MC 96IN DMD
		210192-04	3/8 TUBE ASSY, STD MC 102IN DMD
11	5	283717-01	TUBE ASSY RUBBER, 3/8X2" LG
12	1	210191-02	1/2IN TUBE ASSY, HOR. PWR LINE ,96IN DMD
		210191-03	1/2IN TUBE ASSY, HOR. PWR LINE ,102IN DMD
13	1	905175	UNION F/S #6 M-M
14	6	205780	TIE, PLASTIC 7" (50 LB)
15	2	905161	UNION F/S #8, M-M
16	1	906920-01	ELBOW, STR THR #6 O-R &.25NPT,M-F
17	1	908300-01	SWIVEL ELBOW,BRASS,1/4 NPT X 3/8 TUBE
18	1	905397-101	TUBING, BLK PUR, 3/8 O.D. X 1/4 I.D.,10 FT
		905397-102	TUBING, BLK PUR, 3/8 O.D. X 1/4 I.D.,12 FT
19	7	906712-03	O-RING #8 (1/2" FACE SEAL TUBE-END)

HYDRAULIC SYSTEMS (HYDRAULIC CLOSER)

LAST UPDATED
JULY 2019 to present

NOTE: Replacement face seal fittings come with required O-rings.

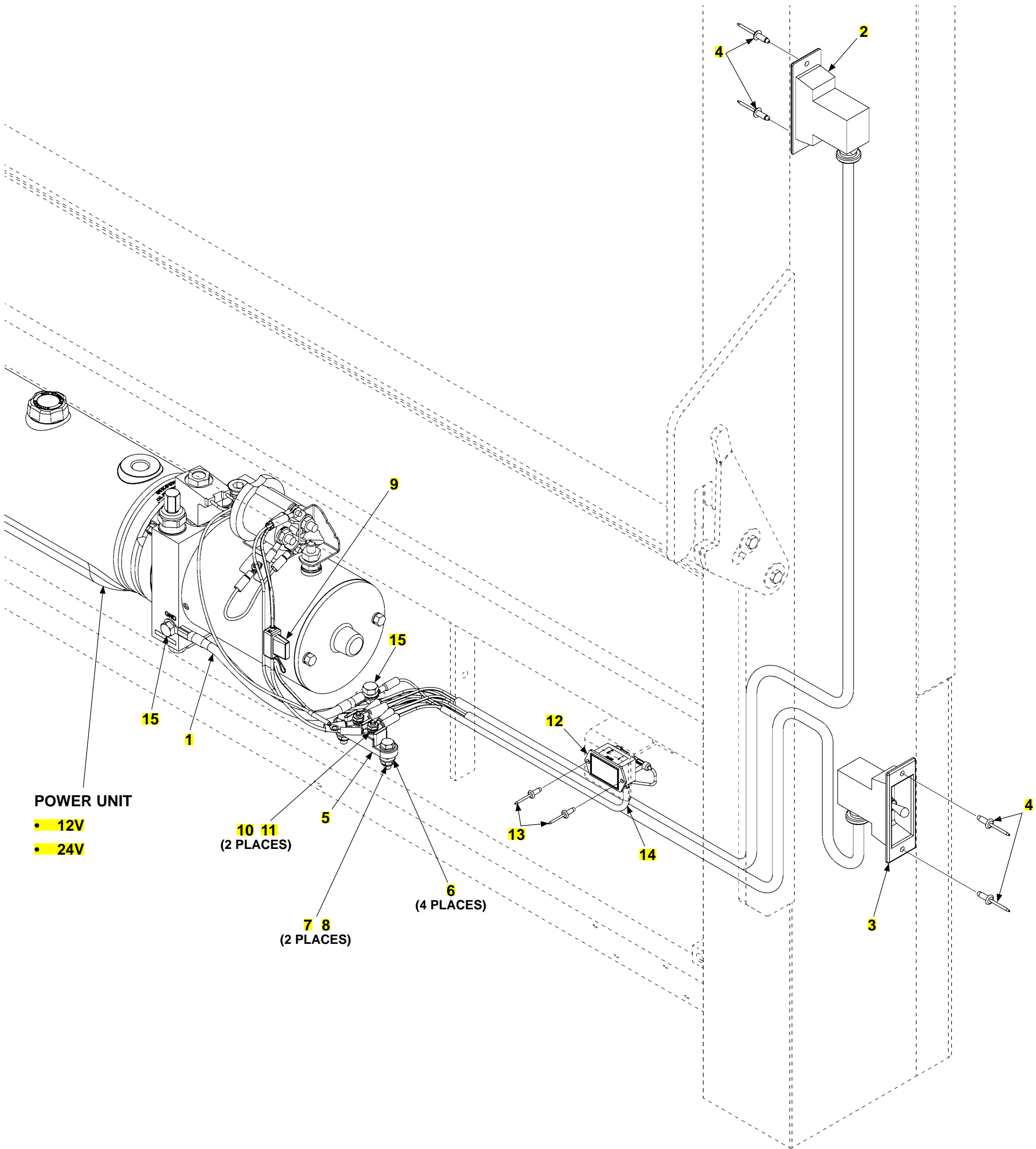


HYDRAULIC SYSTEMS (HYDRAULIC CLOSER)

ITEM	QTY.	PART NO.	DESCRIPTION
1	1	905173	CONNECTOR F/S#6&O-RING#6, M-M
2	5	906712-02	O-RING #6 (3/8" FACE SEAL TUBE-END)
3	1	296916-01	MASTER CYL, 2.016X52.31X1
3A	1	290270	ELBOW, 90, SAE6-8, ORFS
3B	1	906712-02	O-RING #6 (3/8" FACE SEAL TUBE-END)
3C	1	269413	POPPET ASSY, PCMP FL,GPM2.00
4	1	296917-01	SLAVE CYL, 2.25X52.31X1
5	2	905158	ELBOW STRAIGHT, F/S#-O-R #6
6	1	906800-02	ELBOW, SW NUT, ORFS/ORFS SW #8
7 S	1	297001-01	F/S TUBE ASSY RH, STD.
7 16 AB	1	297001-02	F/S TUBE ASSY RH, 79.75" LG
7 12 AB	1	297001-03	F/S TUBE ASSY RH, 75.75" LG
7 8 AB	1	297001-04	F/S TUBE ASSY RH, 71.75" LG
8 S	1	296994-01	F/S TUBE ASSY, RETURN LINE RH STD
8 16 AB	1	296994-02	F/S TUBE ASSY, RH, 76.88" LG
8 12 AB	1	296994-03	F/S TUBE ASSY, RH, 72.88" LG
8 8 AB	1	296994-04	F/S TUBE ASSY, RH, 68.88" LG
9 S	1	296993-01	F/S TUBE ASSY, COLUMN LH, STD
9 16 AB	1	296993-02	F/S TUBE ASSY, LH CLMN, 78.19" LG
9 12 AB	1	296993-03	F/S TUBE ASSY, LH CLMN, 74.19" LG
9 8 AB	1	296993-04	F/S TUBE ASSY, LH CLMN, 70.19" LG
10	5	283717-01	TUBE ASSY RUBBER, 3/8X2" LG
11	1	210191-02	1/2IN TUBE ASSY, HOR. PWR LINE ,96IN DMD
		210191-03	1/2IN TUBE ASSY, HOR. PWR LINE ,102IN DMD
12	1	905175	UNION F/S #6 M-M
13	15	205780	TIE, PLASTIC 7" (50 LB)
14	2	905161	UNION F/S #8, M-M
15	1	210193-01	3/8 TUBE ASSY, HC DMD
16	1	297784-01	H/C HYD LINE ASSY
17	1	297786-01	MAIN HYD LIFT LINE ASSY
		297786-02	MAIN HYD LIFT LINE ASSY
18	2	900719-10	SCREW, BTN .25-20X1.75 SS
19	2	903412-01	WASHER, FLAT .25, SS
20	1	905162	ELBOW BULKHEAD UNION F/S #6
21	1	906920-01	ELBOW, STR THR #6 O-R &.25NPT,M-F
22	1	908300-01	SWIVEL ELBOW,BRASS,1/4 NPT X 3/8 TUBE
23	1	905397-101	TUBING, BLK PUR, 3/8 O.D. X 1/4 I.D.,10 FT
		905397-102	TUBING, BLK PUR, 3/8 O.D. X 1/4 I.D.,12 FT
24	7	906712-03	O-RING #8 (1/2" FACE SEAL TUBE-END)
25	1	297785-01	H/C CYL ASSY
25A	1	297618-01	P/F OPENER CYL ASSY, DMD
25B	1	906759-01	CONNECTOR #6FS, #4OR,M-M
25C	1	298487-01	H/C CYL HOSEASSY, 1/4"ID X 50" LG
25D	1	283204-04	PIN 1.0" DIA. X 2.88" LG W/H
25E	1	904723-04	PIN, ROLL Ø.38 X 1.5LG, SS
25F	1	906712-02	O-RING #6 (3/8" FACE SEAL TUBE-END)
26	1	298489-01	3W/2P VALVE ASSY, H/C DMD
		298489-24	24V 3W/2P VALVE ASSY, H/C DMD
26A	1	906987-01	12 VDC 3W/2P VALVE ASSEMBLY
		906987-24	24V 3W/2P VALVE ASSEMBLY
26B	1	906704-02	ELBOW,NPSC,SAE#6 F/S O-R M-M
26C	2	905173	CONNECTOR F/S#6&O-RING#6, M-M
26D	1	298661-01	3/2 VALVE HARNESS ASSY
26E	3	906712-02	O-RING #6 (3/8" FACE SEAL TUBE-END)

ELECTRICAL SYSTEMS (MANUAL CLOSER)

LAST UPDATED
AUG 2018 to present



POWER UNIT

- 12V
- 24V

10 11
(2 PLACES)

7 8
(2 PLACES)

6
(4 PLACES)

ELECTRICAL SYSTEMS (MANUAL CLOSER)

ITEM	QTY.	PART NO.	DESCRIPTION
1	1	284283-03	CABLE ASSY, 10.88" LG
2	1	297018-01	INNER SWITCH ASSY, U/D
3	1	297018-02	OUTER SWITCH ASSY, U/D
4	4	207644	RIVET, BLND .19 X .58 DOME
5	1	907279-01	JUNCTION BLOCK, 2 STUD
6	4	903412-01	WASHER, FLAT .25, SS
7	2	903132-01	NUT, NYL INSRT, THN .25-20, SS
8	2	901603-06	BOLT, HEX .25-20X1,18-8 SS
9	1	297920-01	10A FUSE ASSY, #10-.38 RING TERM
10	2	903401-01	WASHER, EXT. TOOTH, .19 ID
11	2	903107-06	NUT, HEX 10-24 UNC SS
12	1	297269-01	DIGITAL CYCLE COUNTER
13	2	903721-02	RIVET, BL/DM, SS Ø.16X.13-.19
14	1	298684-01	CYCLE COUNTER HARNESS
15	2	901602-02	BOLT, HEX .313-18X.50,18-8 SS

ELECTRICAL SYSTEMS (HYDRAULIC CLOSER)

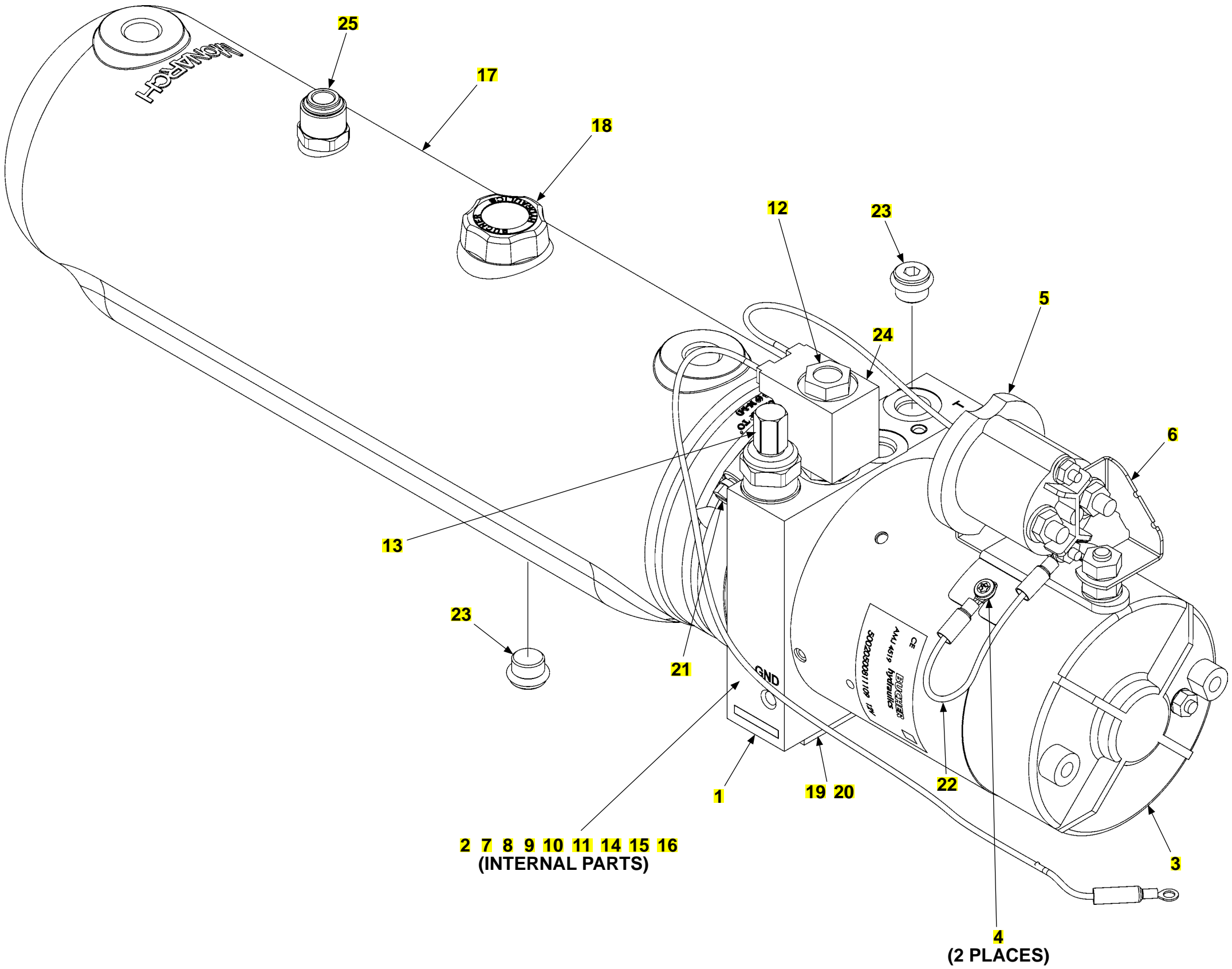
ITEM	QTY.	PART NO.	DESCRIPTION
1	1	284283-03	CABLE ASSY, 10.88" LG
2	1	298688-01	INNER SWITCH ASSY, U/D
3	1	297018-02	OUTER SWITCH ASSY, U/D
4	4	207644	RIVET, BLND .19 X .58 DOME
5	1	907279-01	JUNCTION BLOCK, 2 STUD
6	5	903412-01	WASHER, FLAT .25, SS
7	3	903132-01	NUT, NYL INSRT, THN .25-20, SS
8	2	901603-06	BOLT, HEX .25-20X1,18-8 SS
9	1	297920-01	10A FUSE ASSY, #10-.38 RING TERM
10	2	903401-01	WASHER, EXT. TOOTH, .19 ID
11	2	903107-06	NUT, HEX 10-24 UNC SS
12	1	297269-01	DIGITAL CYCLE COUNTER
13	2	903721-02	RIVET, BL/DM, SS Ø.16X.13-.19
14	1	298684-01	CYCLE COUNTER HARNESS
15	2	901602-02	BOLT, HEX .313-18X.50,18-8 SS
16	1	298662-01	H/C SWITCH ASSY
17	1	906578-01	RELAY,12VDC,5 PIN
		907125-01	RELAY, 24 VDC, 5 PIN
18	1	900719-05	SCREW, BTN .25-20X.75 SS
19	1	298687-01	WIRE ASSY,QD&TERM RNG .31,GRN 6" LG
20	1	298687-02	WIRE ASSY,QD&TERM RNG #10,GRN 5.75" LG

12 VDC POWER UNIT

LAST UPDATED
AUG 2018 to present

COMPLETE ASSEMBLY:

12 VDC POWER UNIT



12 VDC POWER UNIT

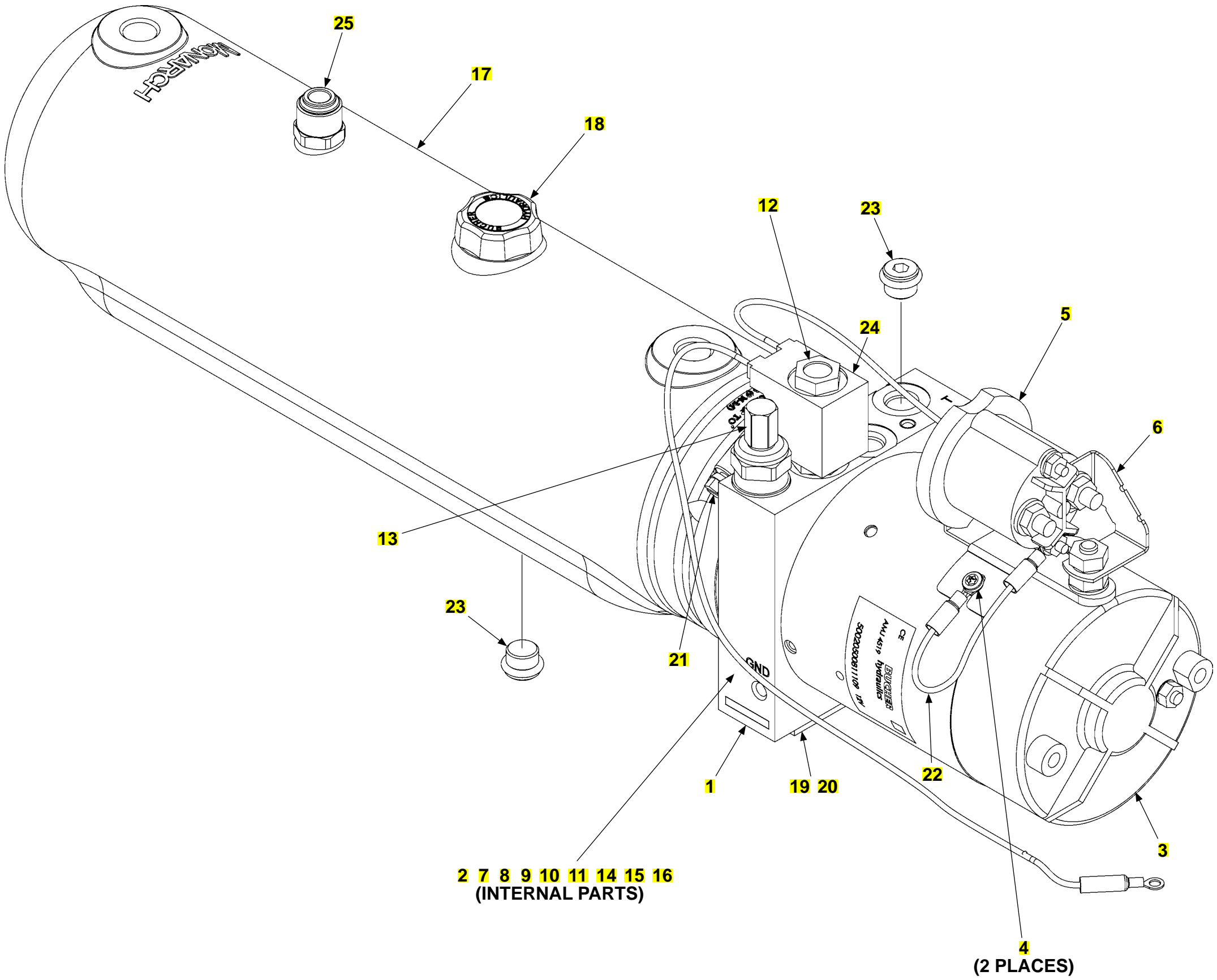
ITEM	QTY.	PART NO.	DESCRIPTION
REF	1	297922-01	12 VDC POWER UNIT G/D
1	1	290217	BASE ASSY, M3419, AP100, STD MOTOR
2	1	290218	PUMP, AP100/2.2, EXT TANG, NO CVRS
3	1	280170	MOTOR
4	2	269340	SCREW,PAN HD,TORX,10-32X5/16
5	1	269339	SWITCH,SOL ACT MTR ST, 12 VDC
6	1	286599	STRAP, MOTOR-COLENOID CONNECTING
7	1	269324	O-RING,SHAPED,UP100 & UP110
8	8	297564	PIN,DOWEL,5MM X 7MM,AP100
9	1	269328	COVER REAR,AP100 309,.375 NPT
10	1	269326	O-RING,SHAPED,REAR COVER,AP100
11	4	290219	SCREW SOCKET HEAD CAP, M8X70, GRADE 12.9
12	1	269417	CARTRIDGE,2W/2P,NC,POPPET,4000
13	1	269338	VALVE,RELIEF,VM01,GREEN SPRING
14	1	295577	TUBE,SUCTION,90 DGR,3/8 NPT
15	1	269331	FILTER, SCREEN M-SERIES SUCT.
16	1	287273	TUBE,45 DEG, 3/8 NPTF ,EXPT END
17	1	290266	RESV,PLASTIC,4.5DIAX18,H/MT
18	1	290222	PLUG, RESV, BRETHER, 3/8 NPT
19	1	290223	ADPTER, RUBER, .11 SPACER, M3500
20	2	297548	PIN,SPLIT,3/16 X 1/2
21	1	287277	CLAMP,HOSE,WORM GEAR,RSV,M-SER
22	1	297547	WIRE ASSY,CNTRL,16AWG,HS,RING
23	2	287282	PLUG.SAE O-RING, 9/16-18, HEX, SO
24	1	210646	COIL, ASSY, 10VDC W/TERMS, GREEN
25	1	297551	FITTING,CONNECTOR,3/8TUBEX1/8NPTMALE

24 VDC POWER UNIT

LAST UPDATED
NOV 2019 to present

COMPLETE ASSEMBLY:

24 VDC POWER UNIT



24 VDC POWER UNIT

ITEM	QTY.	PART NO.	DESCRIPTION
REF	1	297922-24	24 VDC, POWER UNIT, DMD, G/D
1	1	290217	BASE ASSY, M3419, AP100, STD MOTOR
2	1	290218	PUMP, AP100/2.2, EXT TANG, NO CVRS
3	1	269351	MOTOR DC 24 VOLT 2 TERM
4	2	269340	SCREW,PAN HD,TORX,10-32X5/16
5	1	284080-02	SWITCH, SOLENOID ASSY, 24VDC
6	1	290276	STRAP MOTOR-SOLENOID CONNECTING
7	1	269324	O-RING,SHAPED,UP100 & UP110
8	8	297564	PIN,DOWEL,5MM X 7MM,AP100
9	1	269328	COVER REAR,AP100 309,.375 NPT
10	1	269326	O-RING,SHAPED,REAR COVER,AP100
11	4	290219	SCREW SOCKET HEAD CAP, M8X70, GRADE 12.9
12	1	269417	CARTRIDGE,2W/2P,NC,POPPET,4000
13	1	269338	VALVE,RELIEF,VM01,GREEN SPRING
14	1	295577	TUBE,SUCTION,90 DGR,3/8 NPT
15	1	269331	FILTER, SCREEN M-SERIES SUCT.
16	1	287273	TUBE,45 DEG, 3/8 NPTF ,EXPT END
17	1	290266	RESV,PLASTIC,4.5DIAX18,H/MT
18	1	290222	PLUG, RESV, BRETHER, 3/8 NPT
19	1	290223	ADPTER, RUBER, .11 SPACER, M3500
20	2	297548	PIN,SPLIT,3/16 X 1/2
21	1	287277	CLAMP,HOSE,WORM GEAR,RSV,M-SER
22	1	290227	WIRE ASSY, CNTRL, 16AWG, HS, RING
23	2	287282	PLUG.SAE O-RING, 9/16-18, HEX, SO
24	1	290226	COIL, ASSY, 18VDC W/TERMS (RED END)
25	1	297551	FITTING,CONNECTOR,3/8TUBEX1/8NPTMALE

DECALS

**LAST UPDATED
AUG 2018 to present**

CAUTION
Always stand clear of platform area.

WARNING
Liftgate hazards can result in crushing or falling.
Keep hands and feet clear of pinch points.
If riding liftgate, make sure load is stable and footing is solid.

Read and understand all instructions and WARNINGS before use.

WARNING
Read this information carefully.

- Improper operation of this Liftgate can result in serious personal injury. If you do not have a copy of the operating instructions, please obtain them from your employer, distributor, or lessor before you attempt to operate Liftgate.
- If there are signs of improper maintenance, damage to vital parts, or slippery platform surface, do not use the Liftgate until these problems have been corrected.
- If you are using a pallet jack, be sure it can be maneuvered safely.
- Do not operate a forklift on the platform.
- Do not allow any part of yours or your helper's body to be placed under, within, or around any portion of the moving Liftgate, or its mechanisms, or in a position that would trap them between the platform and the ground or truck when the Liftgate is operated.
- If a helper is riding the platform with you, make sure you are both doing so safely and that you are not in danger of coming in contact with any moving or potentially moving obstacles.
- USE GOOD COMMON SENSE.
- If load appears to be unsafe, do not lift or lower it.

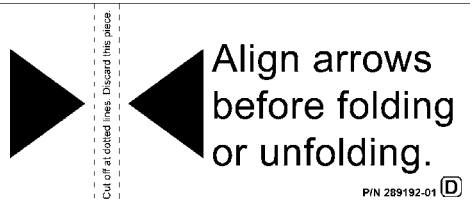
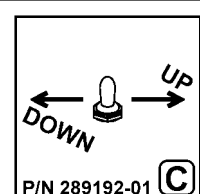
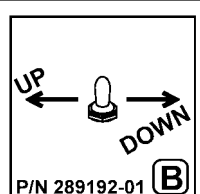
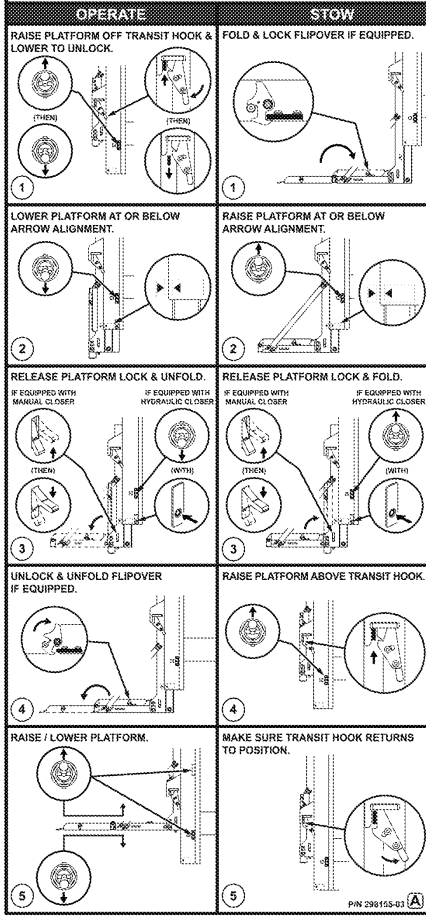
SAFETY INSTRUCTIONS

Read all decals and operation manual before operating liftgate.

1. Do not use liftgate unless you have been properly instructed and have read, and are familiar with, the operating instructions.
2. Be certain vehicle is properly and securely braked before using the liftgate.
3. Always inspect this liftgate for maintenance or damage before using it. Do not use liftgate if it shows any sign of damage or improper maintenance.
4. Do not overload.
5. Make certain the area in which the platform will open and close is clear before opening or closing the platform.
6. Make certain platform area, including the area in which loads may fall from platform, is clear before and at all times during operation of liftgate.
7. This liftgate is intended for loading and unloading of cargo only. Do not use this liftgate for anything but its intended use.

OPERATING INSTRUCTIONS

Scan this QR code to see operation manual or video.



NOTE: Preferred decal layout is shown. Decals on the Liftgate are attached at the factory. If vehicle does not permit this layout, decals in the manual and decal kit must be applied so that they are easily visible when approaching vehicle to operate Liftgate. Use good common sense when locating these decals on vehicle.

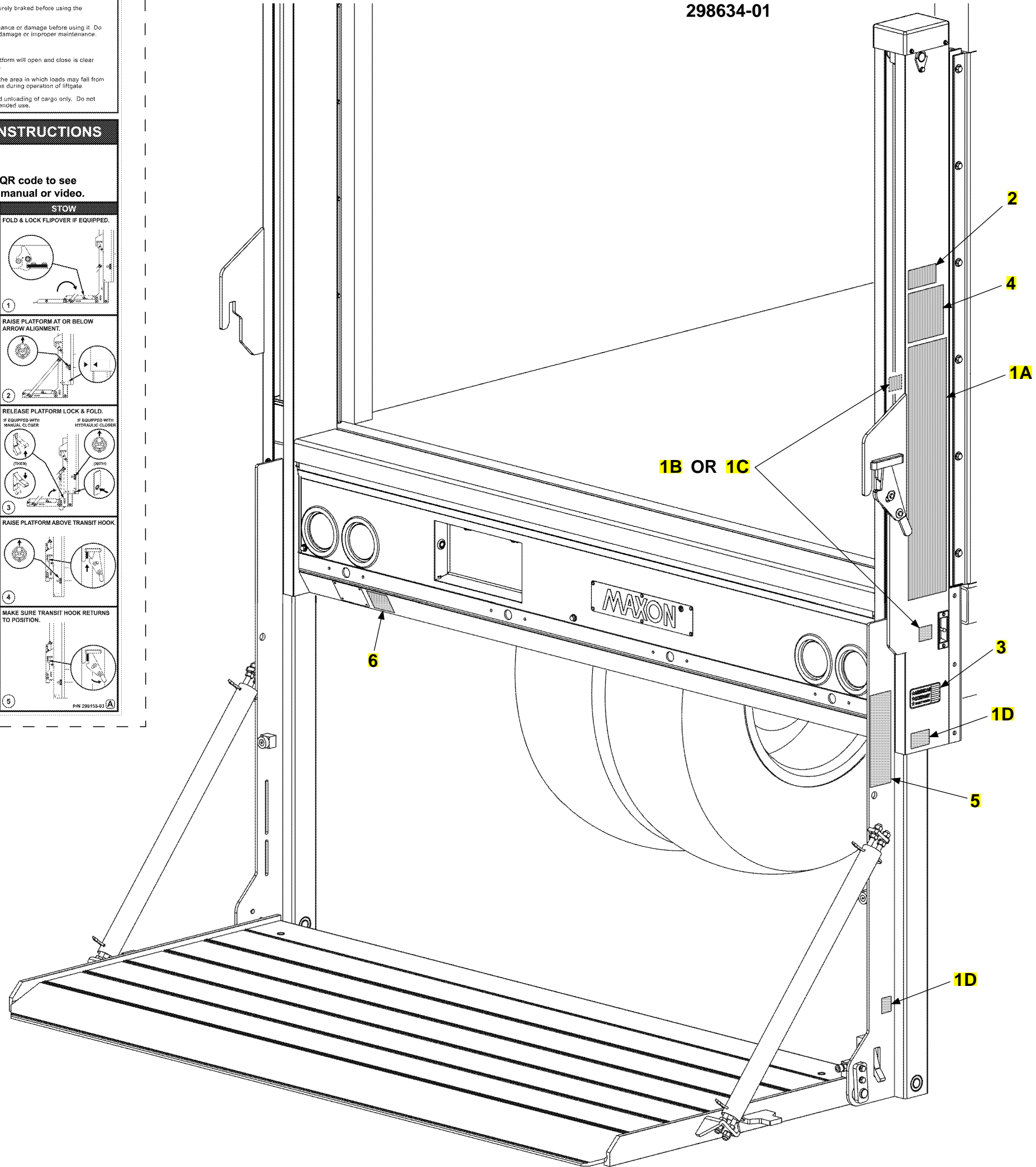
MAXON 24

24/7 LIFTGATE SUPPORT

- Around-the-clock nationwide assistance
- Trained technicians on-call to diagnose and troubleshoot

866 MAXON 24
(866) 629-6624
maxonlift.com/24

MAXON 24/7 SUPPORT DECAL 298634-01



DECALS

ITEM	QTY.	PART NO.	DESCRIPTION
1	1	298155-03	DECAL, SHEET, DMD COLUMN
1A	1	298155-03	DECAL, SHEET, DMD COLUMN
1B	1	298155-03	DECAL, SHEET, DMD COLUMN
1C	1	298155-03	DECAL, SHEET, DMD COLUMN
1D	1	298155-03	DECAL, SHEET, DMD COLUMN
2	1	220388-02	DECAL 3300# CAPACITY
		220388-03	DECAL 2200# CAPACITY
		220387-04	DECAL, 1800# CAPACITY
3	1	283445-01	DECAL, FAMILY OWNED
4	1	298373-01	DECAL, STOW WARNING, BILINGUAL
5	1	299274-01	DECAL, WARNING, PINCH HAZARD BILINGUAL
6	1	299143-01	DECAL, QR CODE, DMD
7	1	298634-01	DECAL, MAXON 24/7 SPRT, OPER