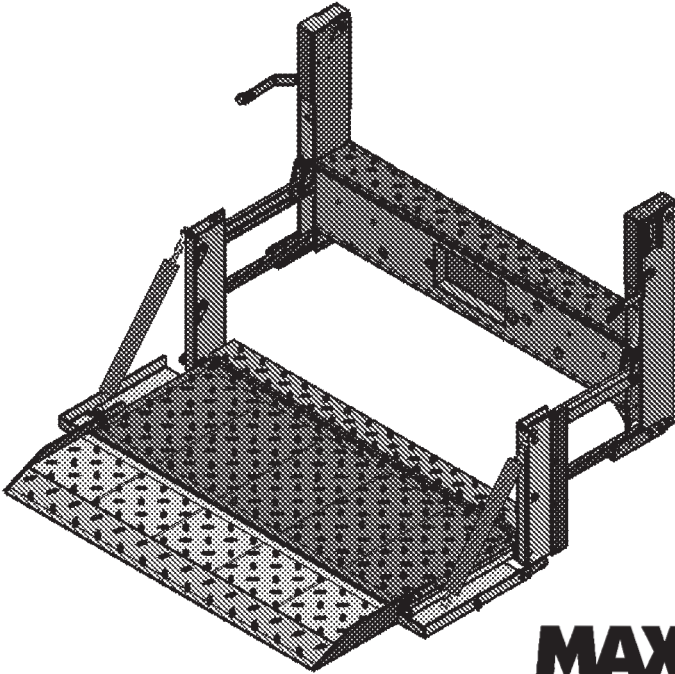


# OPERATION MANUAL

## Me2-Series

- C2 1300 LB CAPACITY
- C2 1500 LB CAPACITY
- C2 1600 LB CAPACITY



**MAXON**<sup>®</sup>  
LIFT CORP.

To find **maintenance & parts** information for your **Me2 Liftgate**, go to [www.maxonlift.com](http://www.maxonlift.com). Click the **PRODUCTS**, **Me2** & **C2** buttons. Open the **Maintenance Manual** in the **PRODUCT DOCUMENTATION** window.

© MAXON Lift Corp. 2021

### KEEP THIS MANUAL IN CAB OF VEHICLE

Register your liftgate online at [www.maxonlift.com/htm/services/reg.htm](http://www.maxonlift.com/htm/services/reg.htm).  
For a free copy of other manuals that pertain to these liftgate models, please visit our website at [www.maxonlift.com](http://www.maxonlift.com) or contact **customer service** at **(800) 227-4116**.



# TABLE OF CONTENTS

<b>SUMMARY OF CHANGES: M-14-36 REVISION A</b> .....	<b>4</b>
<b>WARNINGS</b> .....	<b>5</b>
<b>RECOMMENDED DAILY OPERATION CHECKS</b> .....	<b>6</b>
<b>LIFTGATE TERMINOLOGY</b> .....	<b>8</b>
<b>DECALS</b> .....	<b>9</b>
<b>DECALS &amp; PLATES</b> .....	<b>11</b>
<b>FORKLIFT ADVISORY</b> .....	<b>12</b>
<b>OPERATING INSTRUCTIONS</b> .....	<b>13</b>
ACTIVATING LIFTGATE.....	13
UNFOLDING THE PLATFORM.....	14
LOADING VEHICLE .....	17
UNLOADING VEHICLE.....	18
<b>STOWING PLATFORM</b> .....	<b>19</b>
TURNING OFF POWER .....	21

# SUMMARY OF CHANGES: M-14-36 REVISION A

PAGE	DESCRIPTION OF CHANGE
COVER	Updated REV. and date of release.
6,7	Inserted pages with <b>RECOMMENDED DAILY OPERATION CHECKS</b> .
9	Added <b>MAXON®</b> decal on bottom of platform.
10	Changed operation decal C to new decal with QR code.
11	Inserted page with 3 Parts QR code decals, serial plate, and <b>MAXon24</b> support decal.
17	Combined the <b>LOADING VEHICLE</b> subtopics ( <b>POSITIONING LOAD</b> and <b>RAISING &amp; UNLOADING PLATFORM</b> ) in one procedure.
18	Combined the <b>UNLOADING VEHICLE</b> subtopics ( <b>POSITIONING LOAD</b> and <b>LOWERING &amp; UNLOADING PLATFORM</b> ) in one procedure.
20	Combined the platform latching and locking instructions on the same page.

## **WARNING**

1. Incorrect operation of this Liftgate can result in serious personal injury. Comply with **WARNINGS** and Liftgate operating instructions in this manual. Do not allow untrained persons to operate the Liftgate. If you need to replace an **Operation Manual**, additional copies are available from:  
**MAXON Lift Corp. Customer Service**  
**11921 Slauson Ave**  
**Santa Fe Springs, CA 90670**  
**(800) 227-4116**
2. Do not exceed rated **load capacity** of the **C2** Liftgates which is **1300 lbs, 1500 lbs and 1,600 lbs.**
3. Do not allow any part of your body to be placed under, within, or around any portion of the moving Liftgate or its mechanisms, or in a position that would trap them between the platform and the floor of truck body (or between platform and the ground) when Liftgate is operated.
4. Consider the safety and location of bystanders and location of nearby objects when operating the Liftgate. Stand to one side of platform while operating the Liftgate. Be certain that the area the Liftgate will move through during operation is clear of all obstacles.
5. Comply with all attached instruction decals and warning decals.
6. Keep decals clean and legible. If decals are illegible or missing, have them replaced. **Get free replacement decals from Maxon.**
7. **Never drive a forklift on the Liftgate platform.**
8. Do not move vehicle unless Liftgate is correctly stowed.
9. **Correctly stow platform when not in use. Extended platforms could create a hazard for people and vehicles passing by.**
10. A correctly installed Liftgate will operate smoothly and reasonably quiet. The only noticeable noise, during Liftgate operation, is from the power unit while the platform is being raised. Listen for scraping, grating and binding noises and have the problem corrected before continuing to operate the Liftgate.
11. Above all, **USE GOOD COMMON SENSE** when operating this Liftgate.
12. Never use a cell phone while operating the Liftgate.

# RECOMMENDED DAILY OPERATION CHECKS

**NOTE:** Before you check the Liftgate, park vehicle on flat ground and set the parking brake.

**NOTE:** If any of the following operation checks reveal a need to service or repair Liftgate, do not operate the Liftgate until a qualified mechanic services or repairs the Liftgate.

## **Before operating the Liftgate, the operator should do the following:**

- Make sure batteries are fully charged, and battery terminal connections are clean and tight.
- Visually check platform is latched securely in stowed position, latches are undamaged, and platform chains are in place.
- Visually check that cover on the main frame housing is undamaged and bolted on securely. Look for hydraulic fluid leaking from housing.
- Follow the routing of hydraulic hoses from cylinders to main frame. Make sure visible hoses connections are secure and there are no cracks, chafing, and fluid leaks.
- Visually check that standard and optional controls are in place and undamaged.
- Visually check that all decals are in place (see **DECALS** page). Make sure decals are legible, clean, and undamaged.

## **Use the operation instructions in this manual to unfold the platform and lower it to the ground.**

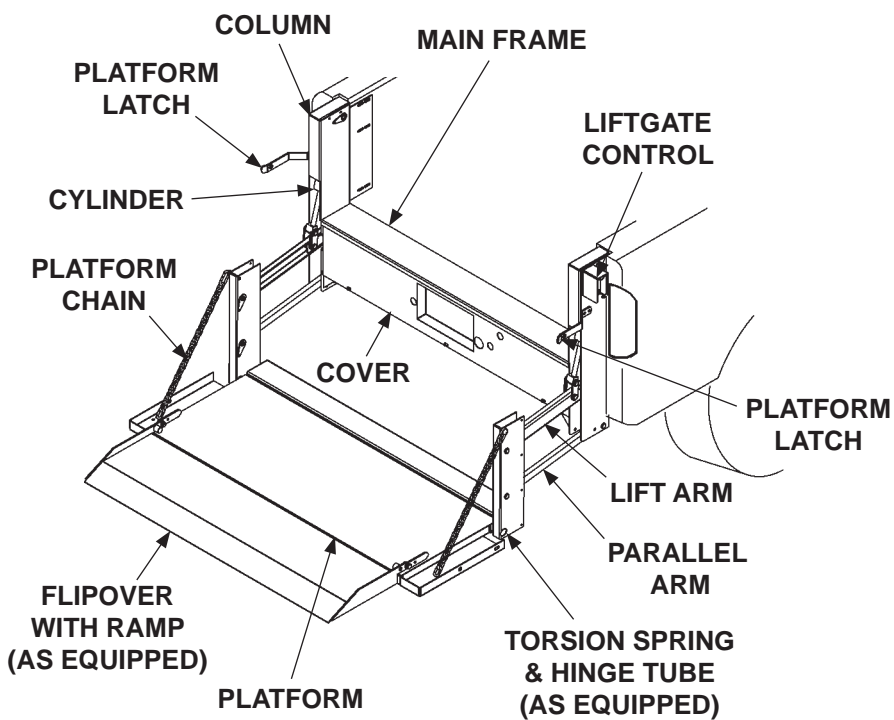
- Check that platform latches are unlocked and release platform without binding. Also ensure platform (& flipover if equipped) unfolds smoothly to operating position and lowers to the ground smoothly.
- Check main frame, columns, lift arms, and parallel arms for cracks and bends. Make sure platform chains are undamaged and connected securely at both ends. Also, make sure all bolts and pins are in place and undamaged.
- Check platform and flipover for cracks, holes, and bends on the load-carrying surfaces and side plates.
- Make sure load-carrying surfaces on main frame housing, platform, and flipover (if equipped) are clean (no oil, debris, or corrosion).
- Check for fluid leaks from hydraulic cylinders.

**Use the operation instructions in this manual to operate the Liftgate through one cycle without a load on the platform. Raise the platform to vehicle bed height. Next, lower the platform to ground level.**

- When raising and lowering platform, listen for unusual noises and look for a “jerking” motion or uneven movement at LH and RH sides of the platform. Uneven movement should not exceed 1”.
- With platform at bed height, make sure the LH and RH platform chains feel even in tightness.

**If service or repairs are not required (or if completed), stow platform for transport.**

# LIFTGATE TERMINOLOGY



**C2 PICKUP LIFTGATE SHOWN  
FIG. 8-1**



# DECALS

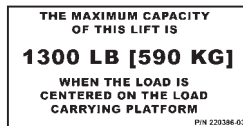
**NOTE:** Ensure there is no residue, dirt, or corrosion where decals are attached. If necessary, clean surface before attaching decals.



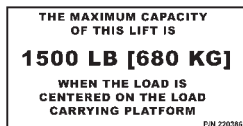
**OIL CAUTION DECAL  
P/N 295317**



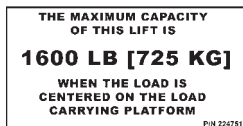
**DECAL P/N 295597**



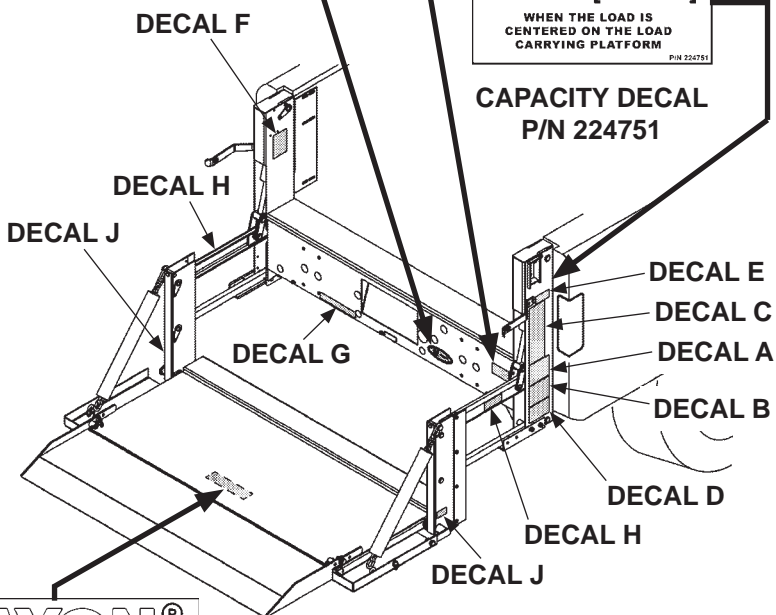
**CAPACITY DECAL  
P/N 220386-03**



**CAPACITY DECAL  
P/N 220386**



**CAPACITY DECAL  
P/N 224751**



**DECAL P/N 299097-01**

**C2 PICKUP LIFTGATE SHOWN  
FIG. 9-1**

# DECALS - Continued

### SAFETY INSTRUCTIONS

Read all decals and operation manual before operating liftgate.

- Do not use liftgate unless you have been properly instructed and have read, and are familiar with, the operating instructions.
- Be certain vehicle is properly and securely braked before using the liftgate.
- Always inspect this liftgate for maintenance or damage before using it. Do not use liftgate if it shows any sign of damage or improper maintenance.
- Do not overload.
- Make certain the area in which the platform will open and close is clear before opening or closing the platform.
- Make certain platform area, including the area in which loads may fall from platform, is clear before and at all times during operation of liftgate.
- This liftgate is intended for loading and unloading of cargo only. Do not use this liftgate for anything but its intended use.

(A)

### WARNING

Read this information carefully.

- Improper operation of this Liftgate can result in serious personal injury. If you do not have a copy of the operating instructions, please obtain them from your employer, distributor, or dealer before you attempt to operate Liftgate.
- If there are signs of improper maintenance, damage to vital parts, or irregular platform surface, do not use the Liftgate until these problems have been corrected.
- If you are using a pallet jack, be sure it can accommodate safety.
- Do not operate a forklift on the platform.
- Do not allow any part of yours or your helper's body to be placed under, within, or around any portion of the moving Liftgate, or its mechanisms, or in a position that would trap them between the platform and the ground or truck when the Liftgate is operated.
- Do not ride on the platform or allow others to ride on the platform.
- USE GOOD COMMON SENSE.
- If load appears to be unstable, do not lift or lower it.

For a free copy of other manuals that pertain to this model Liftgate, please visit our website at [www.maxonlift.com](http://www.maxonlift.com) or call Customer Service at (800) 227-4115.

(B)

### OPERATING INSTRUCTIONS

**ME2** Scan this QR code to see operation manual or video.

- TURN ON POWER & ACTIVATE LIFTGATE (SEE OPERATION MANUAL.)  
SWITCH UP/T DOWN & RELEASE. REMOVE PULLLOCK. OPEN LH & RH LATCHES.
- UNFOLD PLATFORM IF EQUIPPED. UNFOLD FLIPOVER.
- RAISE OR LOWER PLATFORM.
- TO STOP, RAISE PLATFORM (STEP 4), REVERSE STEP 3 TO FOLD FLIPOVER & PLATFORM.
- TURN OFF POWER, (SEE OPERATION MANUAL.)

(C)

### WARNING

- Liftgate hazards can result in crushing, pinching or falling.
- Keep hands & feet clear of pinch points.
- Do not ride on the platform.

Read and understand all instructions & WARNINGS before use.

(D)

### CAUTION

Always stand clear of platform area.

(E)

### WARNING

- Liftgate is not for lifting people or people riding in wheelchairs. Do not ride platform or allow others to ride platform.
- Do not allow children or untrained adults to operate Liftgate.
- When Liftgate is not being used or is not attended, fold and latch platform to stow. Turn off Liftgate control.

(F)

### WARNING

Spring is under high tension.

(J)

### WARNING

Keep hands & feet clear of platform & flipover when folding & unfolding platform. (See Operation Manual.)

(H)

### WARNING

To prevent injury, do the following before removing cover.

- Lower platform to the ground, or stow & latch platform.
- Disconnect positive (+) battery cable from battery.

(G)

## WARNINGS, CAUTIONS & INSTRUCTIONS DECAL SHEET

P/N 288215-01  
FIG. 10-1

# DECALS & PLATES



**QR PARTS DECAL  
PICKUP BODY  
P/N 299139-01**



**QR PARTS DECAL  
SERVICE BODY  
P/N 299139-02**



**QR PARTS DECAL  
STAKEBED  
P/N 299139-03**

**MAXON 24**

**24/7 LIFTGATE SUPPORT**

- Around-the-clock nationwide assistance
- Trained technicians on-call to diagnose and troubleshoot

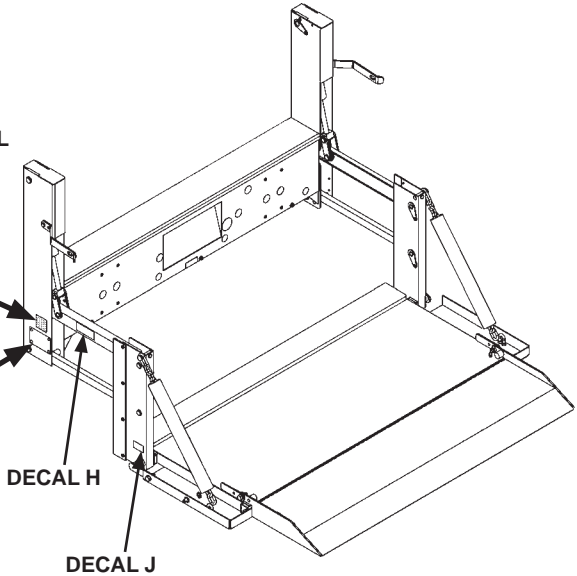
**866 MAXON 24**  
**(866) 629-6624**  
maxonlift.com/24

P/N 298634-01

**MAXON 24/7  
SUPPORT DECAL  
P/N 298634-01**



**SERIAL PLATE (REF)**



**NOTE: MAXON 24/7 LIFTGATE SUPPORT** service is only available in the Continental U.S.

**C2 PICKUP LIFTGATE STREET SIDE VIEW  
FIG. 11-1**

# FORKLIFT ADVISORY

**⚠ WARNING**  
**Keep forklift OFF of platform.**

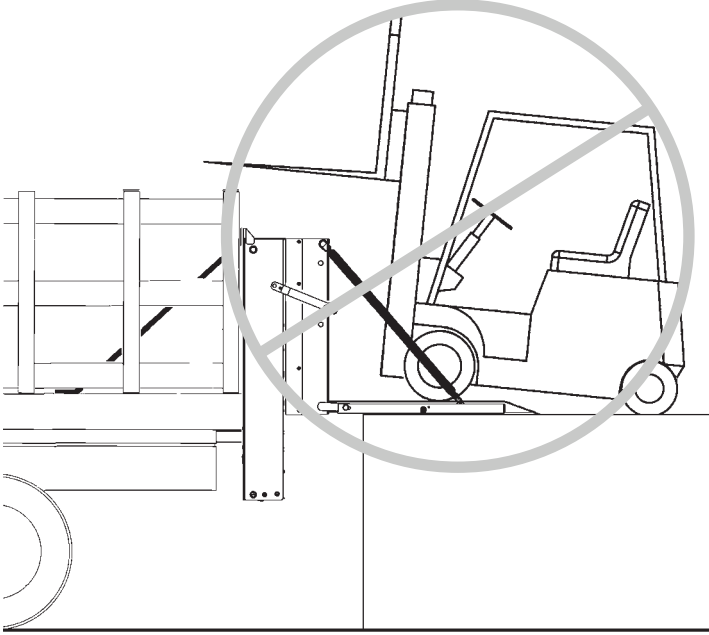


FIG. 12-1

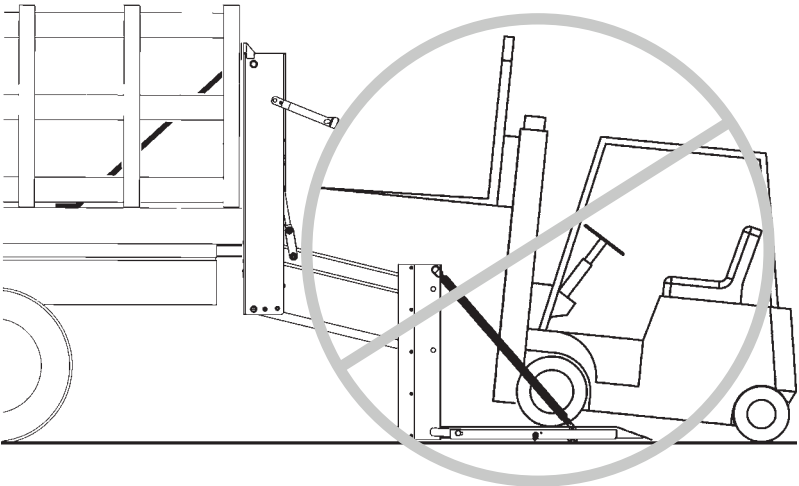
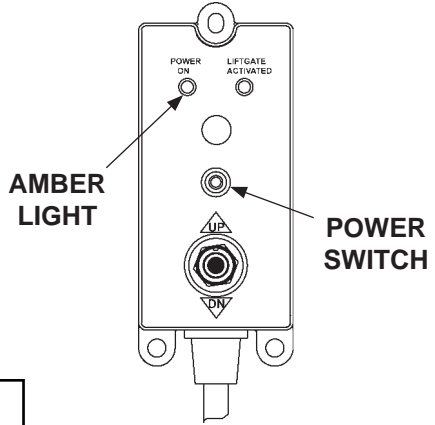


FIG. 12-2

# OPERATING INSTRUCTIONS

## ACTIVATING LIFTGATE

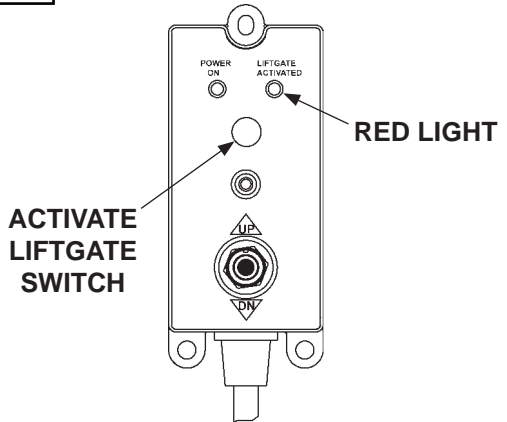
1. Apply power to Liftgate by pushing power switch on the Liftgate control (**FIG. 13-1**). Amber **POWER ON** light is turned on when power is applied.



**POWER ON SWITCH &  
INDICATOR LIGHT**  
**FIG. 13-1**

**NOTE:** Liftgate control allows a 90 second window of time to operate Liftgate after pushing the Liftgate activated switch 2 times. Each time the toggle switch is positioned to **UP** or **DN** position, the operating time is extend by 90 seconds. After 90 seconds without activity, the control will become deactivated.

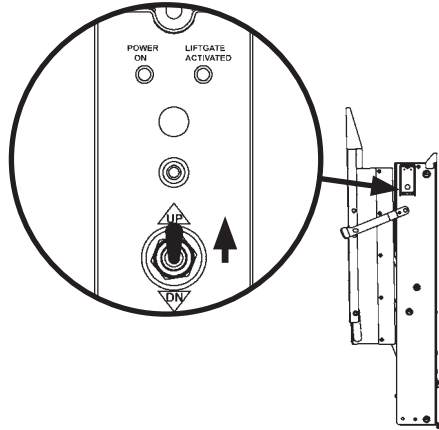
2. Activate the Liftgate by pushing **ACTIVATED** switch 2 times in one second (**FIG. 13-2**). Red **ACTIVATED** light is turned on when Liftgate is activated.



**ACTIVATE LIFTGATE SWITCH  
& INDICATOR LIGHT**  
**FIG. 13-2**

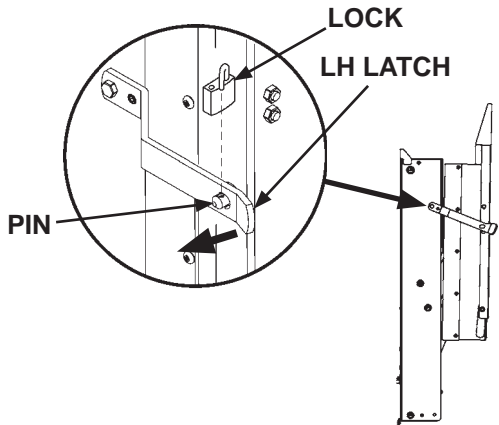
## UNFOLDING THE PLATFORM

1. To pressurize the hydraulic system, hold the control switch **UP** for 1 second and release (**FIG. 14-1**).



**CONTROL SWITCH UP**  
**FIG. 14-1**

2. If necessary, remove lock from LH platform latch (**FIG. 14-2**). Release LH latch by pulling to the side until free of pin (**FIG. 14-2**). Then, rotate latch down.

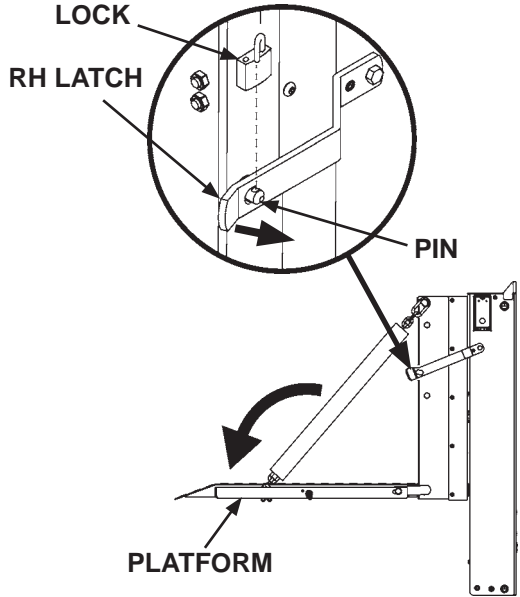


**UNLATCHING PLATFORM**  
**FROM LH COLUMN**  
**FIG. 14-2**

**! WARNING**

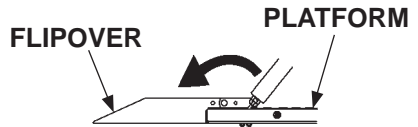
**Never operate control switch or stand in the path of platform while unfolding the platform.**

3. If necessary, remove lock from RH platform latch (**FIG. 15-1**). Standing to side of the RH column, hold top of platform with one hand. Use other hand to push RH platform latch to the side until free of platform pin (**FIG. 15-1**). Then, unfold platform (**FIG. 15-1**).



**UNLATCHING & UNFOLDING  
PLATFORM (RH SIDE VIEW)  
FIG. 15-1**

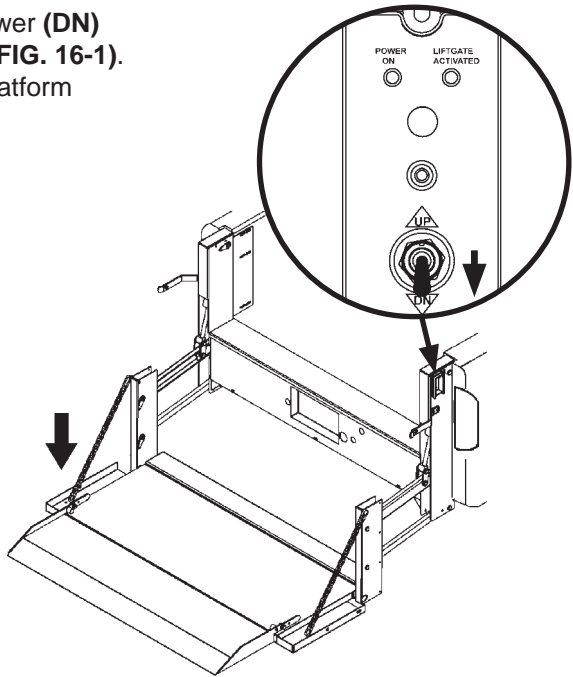
4. If platform is equipped with flipover, unfold flipover (**FIG. 15-2**).



**UNFOLDING FLIPOVER  
FIG. 15-2**

## UNFOLDING THE PLATFORM - Continued

5. Use control switch to lower (**DN**) platform to the ground (**FIG. 16-1**). Release switch when platform reaches ground level.



**LOWERING PLATFORM TO  
THE GROUND  
FIG. 16-1**

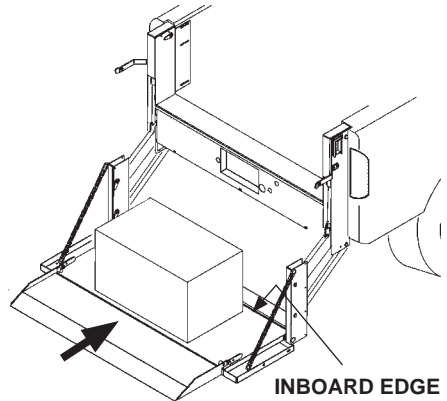


# LOADING VEHICLE

## WARNING

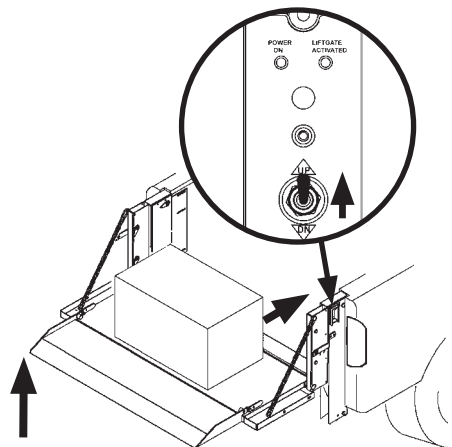
**A load should never extend past the edges of the platform. Do not place unstable loads on platform, do not allow load to exceed lifting capacity of Liftgate, and do not ride on the platform.**

1. Place all loads as close as possible to the inboard edge of the platform with heaviest part toward the pickup bed as shown in **FIG. 17-1**. Move loads across the ramp (**FIG. 17-1**) to the platform, but never rest or raise loads solely on the flipover and ramp portion.



**LOADING PLATFORM AT GROUND LEVEL**  
**FIG. 17-1**

2. Use switch to raise (**UP**) platform from ground level to bed height (**FIG. 17-2**). Release switch when platform reaches bed height.



**RAISING LOADED PLATFORM**  
**TO BED HEIGHT**  
**FIG. 17-2**

3. Carefully move the load into vehicle (**FIG. 17-2**).

## UNLOADING VEHICLE

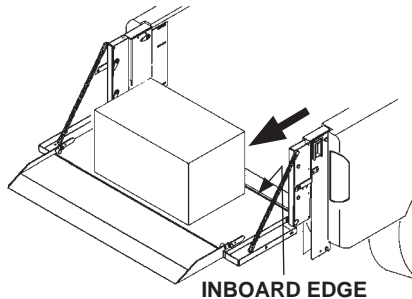
### ⚠ WARNING

A load should never extend past the edges of the platform. Do not place unstable loads on platform, do not allow load to exceed lifting capacity of Liftgate, and do not ride on the platform.

### ⚠ WARNING

Pulling the load from vehicle to platform can result in a fall from platform and serious injury. When unloading vehicle, always push the load out on the platform.

1. Unload the vehicle at bed level (**FIG. 18-1**) as follows. Push load out of the vehicle to correct position on the platform. Place all loads as close as possible to the inboard edge of the platform with heaviest part toward the vehicle body as shown in **FIG. 18-1**.

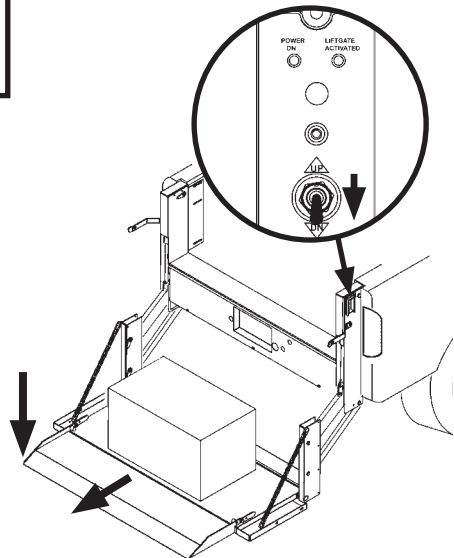


**MOVING LOAD ON PLATFORM**  
**FIG. 18-1**

### ⚠ WARNING

Before lowering platform, make sure area surrounding platform is clear of people and objects.

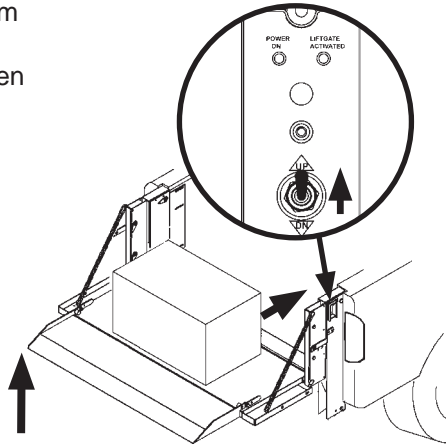
2. Use control switch to lower (**DN**) platform and load to the ground (**FIG. 18-1**). Release switch when platform reaches ground level.
3. Carefully move load off platform (**FIG. 18-2**) and then move it to a place where it will not become a hazard for people and other vehicles. If there is more to unload from vehicle, repeat the previous **UNLOADING VEHICLE** steps for each load. When unloading is finished, use **STOWING PLATFORM** procedure in this manual.



**UNLOADING PLATFORM AT**  
**GROUND LEVEL**  
**FIG. 18-2**

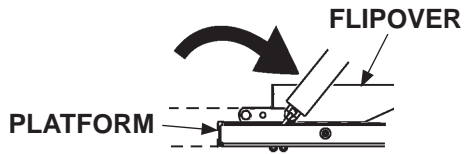
# STOWING PLATFORM

1. Use switch to raise (**UP**) platform from ground level to bed height (**FIG. 19-1**). Release switch when platform reaches bed height.



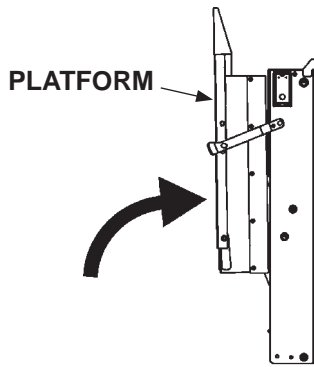
**RAISING PLATFORM TO BED HEIGHT**  
**FIG. 19-1**

2. If platform is equipped with flipover, fold flipover (**FIG. 19-2**).



**FOLDING FLIPOVER**  
**FIG. 19-2**

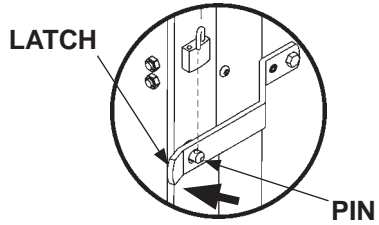
3. Fold platform upright against the columns (**FIG. 19-3**).



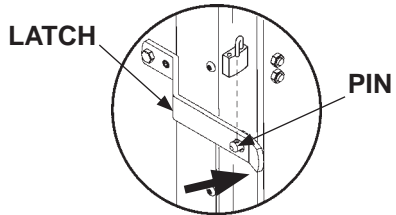
**FOLDING PLATFORM**  
**FIG. 19-3**

# STOWING PLATFORM - Continued

4. Latch platform pin to RH column (**FIG. 20-1**). Repeat for LH column (**FIG. 20-2**).

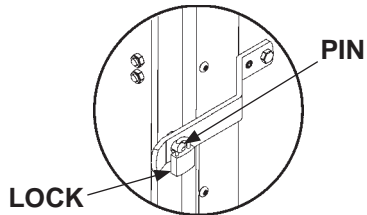


**LATCHING PLATFORM TO  
RH COLUMN  
FIG. 20-1**

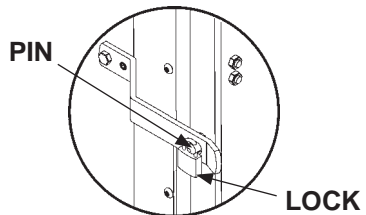


**LATCHING PLATFORM TO  
LH COLUMN  
FIG. 20-2**

5. If necessary, lock latch to platform pin on the RH column or LH column (**FIGS. 20-3 and 20-4**).



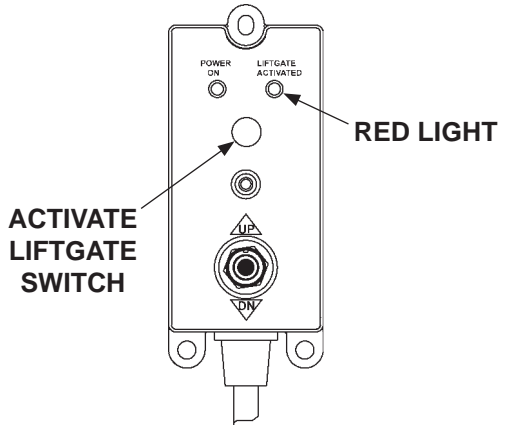
**PLATFORM LOCKED TO  
RH COLUMN  
FIG. 20-3**



**PLATFORM LOCKED TO  
LH COLUMN  
FIG. 20-4**

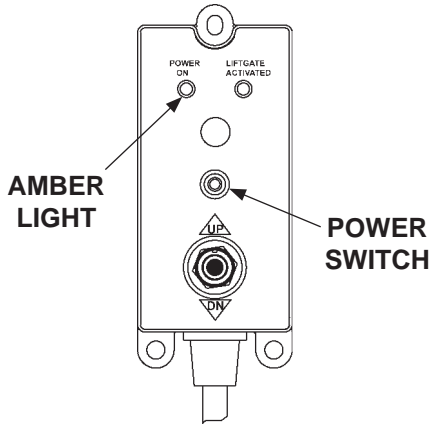
# TURNING OFF POWER

1. Deactivate the Liftgate by pushing **ACTIVATED** switch 2 times in one second (**FIG. 21-1**). Red **ACTIVATED** light is off when Liftgate is deactivated.



**ACTIVATE LIFTGATE SWITCH  
& INDICATOR LIGHT  
FIG. 21-1**

2. Turn off power to Liftgate by pushing power switch on the Liftgate control (**FIG. 21-2**). Amber **POWER ON** light is off when power switch is turned off.



**POWER ON SWITCH &  
INDICATOR LIGHT  
FIG. 21-2**

3. Liftgate is ready for transport.

