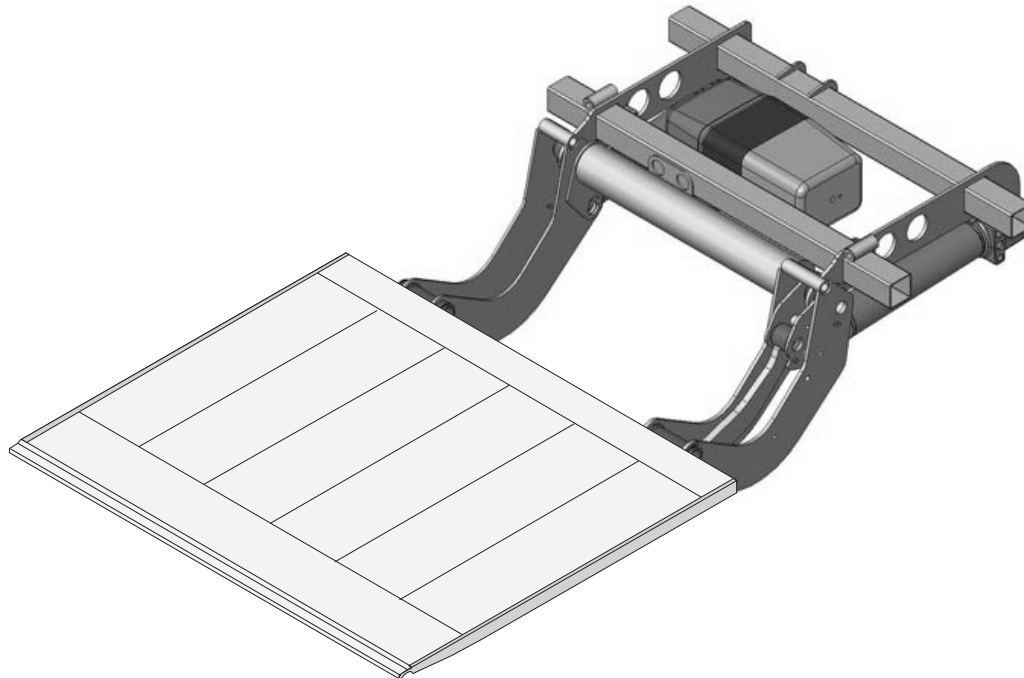


MAXON[®]

Conventional

Spare Parts Catalogue

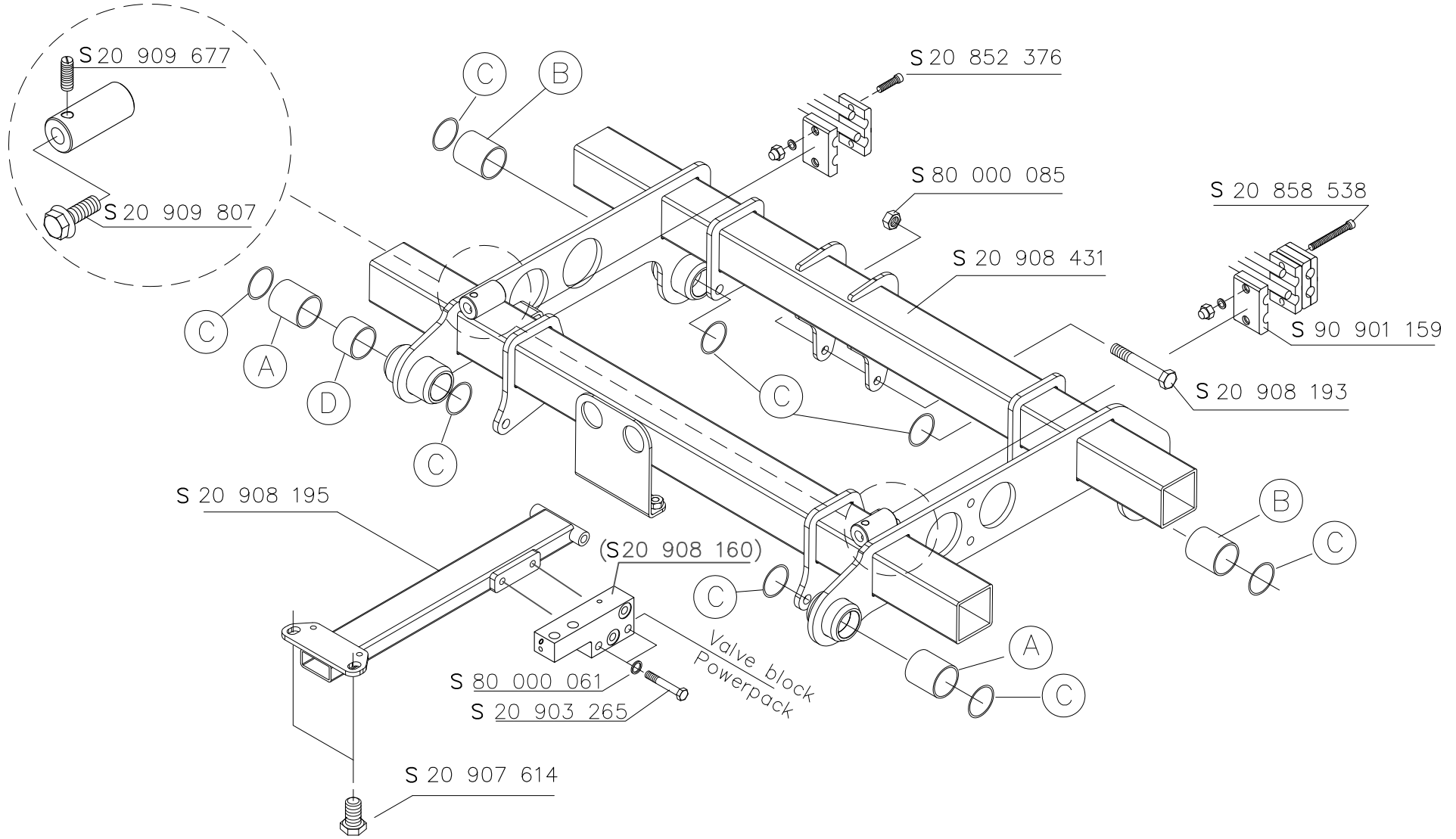
Conventional GPC X1 LD



X1
TECHNOLOGY

Document no. S 20 911 226
Print date 01.2016
© Sørensen Hydraulik GmbH

Liftchassis GPC X1 LD

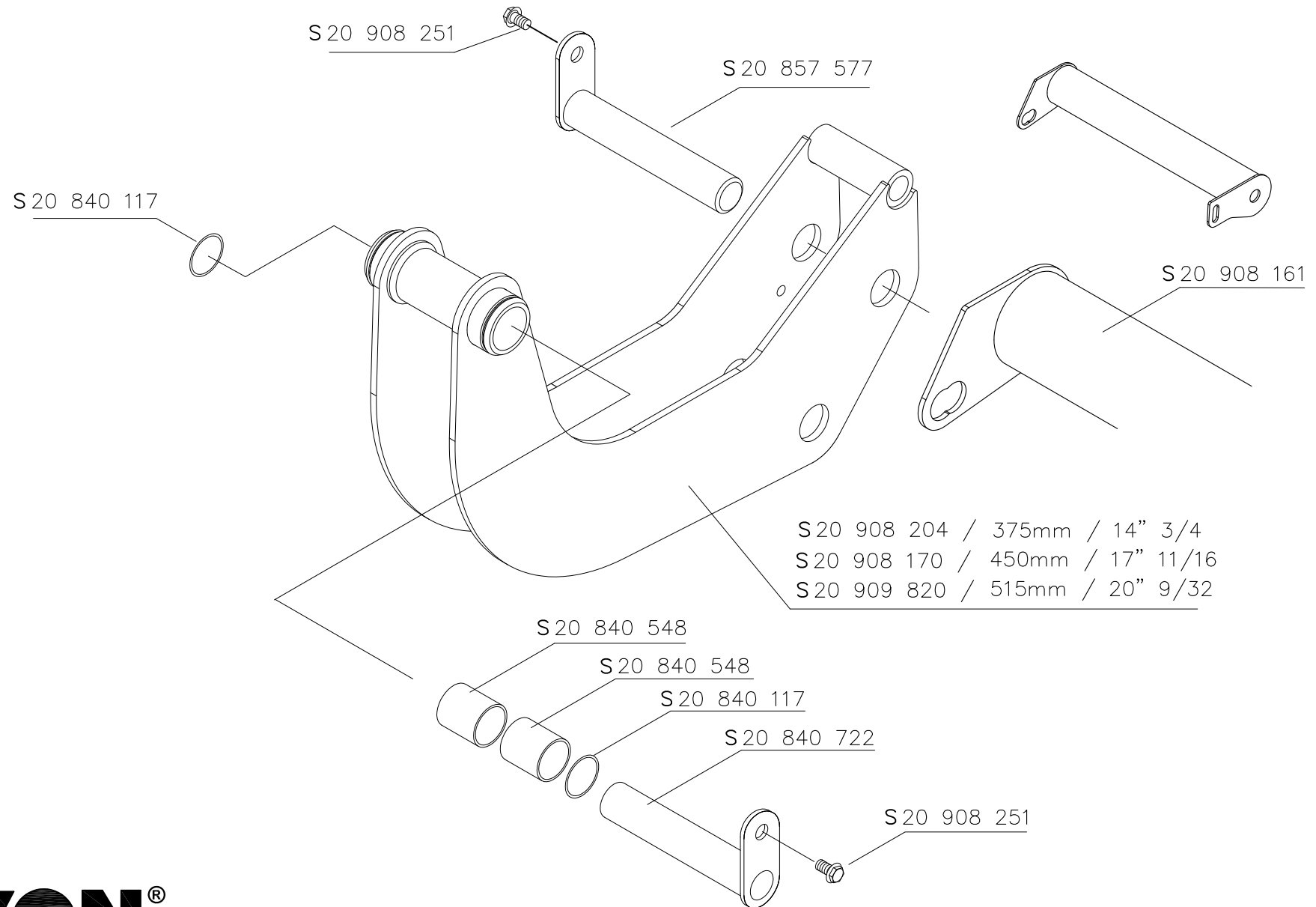


- A - S 20 840 131
- B - S 20 840 118
- C - S 20 840 117
- D - S 20 908 216



GPC X1 LD

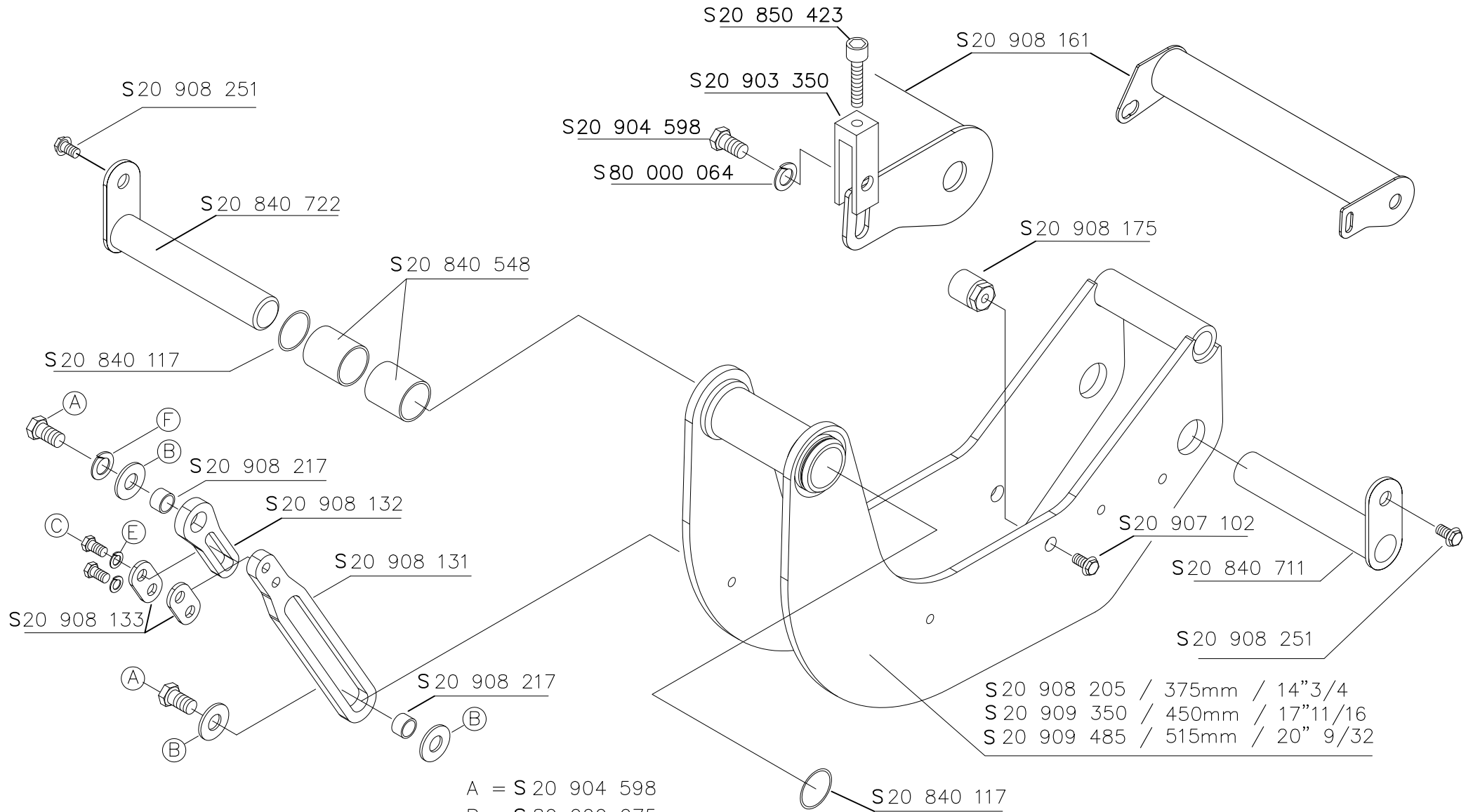
Liftarm 14" 3/4 / 17" 11/16 / 20" 9/32



MAXON®

GPC X1 LD

Tiltarm 14" 3/4 / 17" 11/16 / 20" 9/32



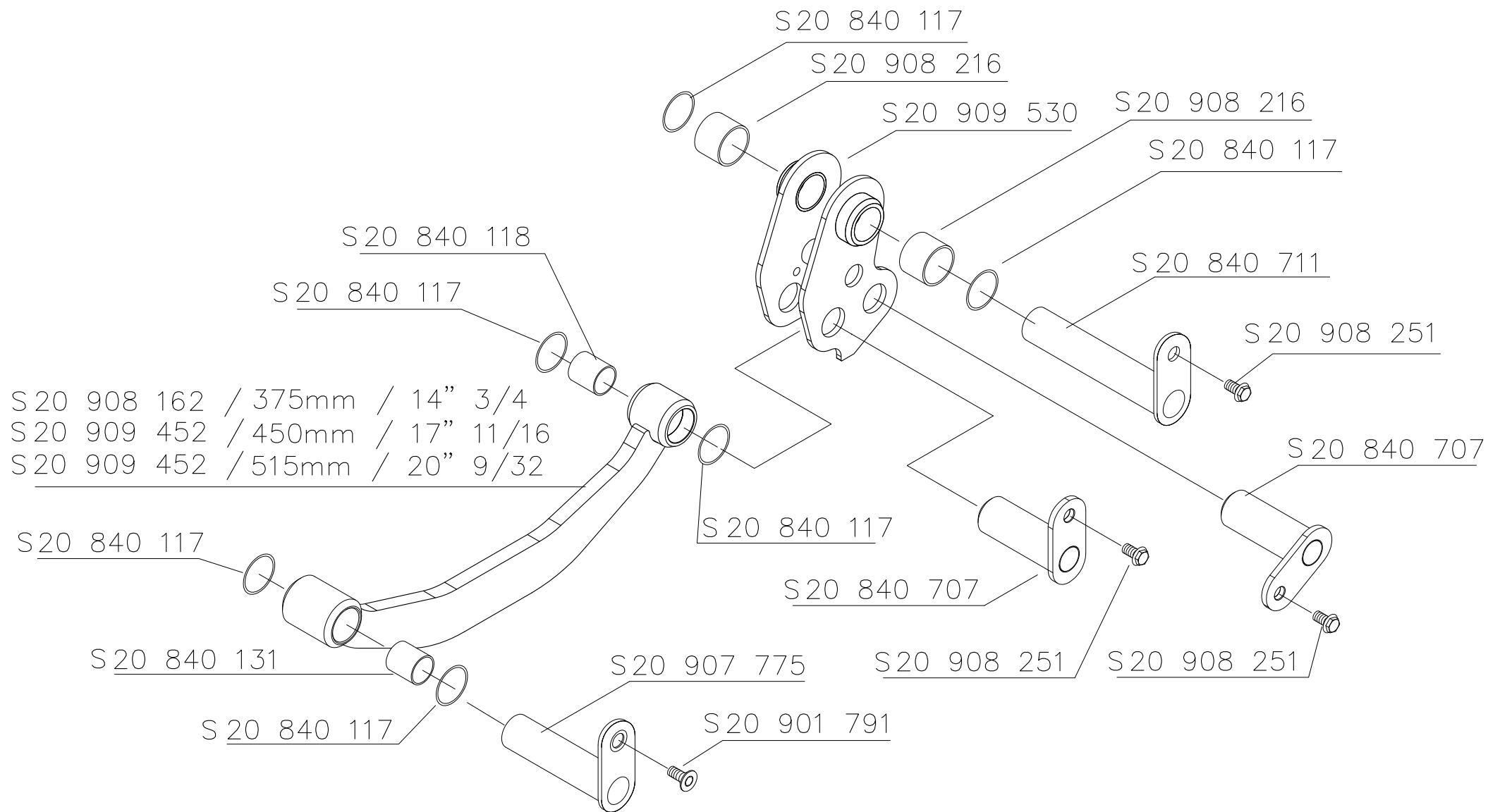
- A = S 20 904 598
- B = S 80 000 075
- C = S 80 000 031
- E = S 80 000 175
- F = S 80 000 064

MAXON®

GPC X1 LD

Document no.: S 20 911 226
Version 01.2016

Tilt stake: 14" 3/4 / 17" 11/16 / 20" 9/32

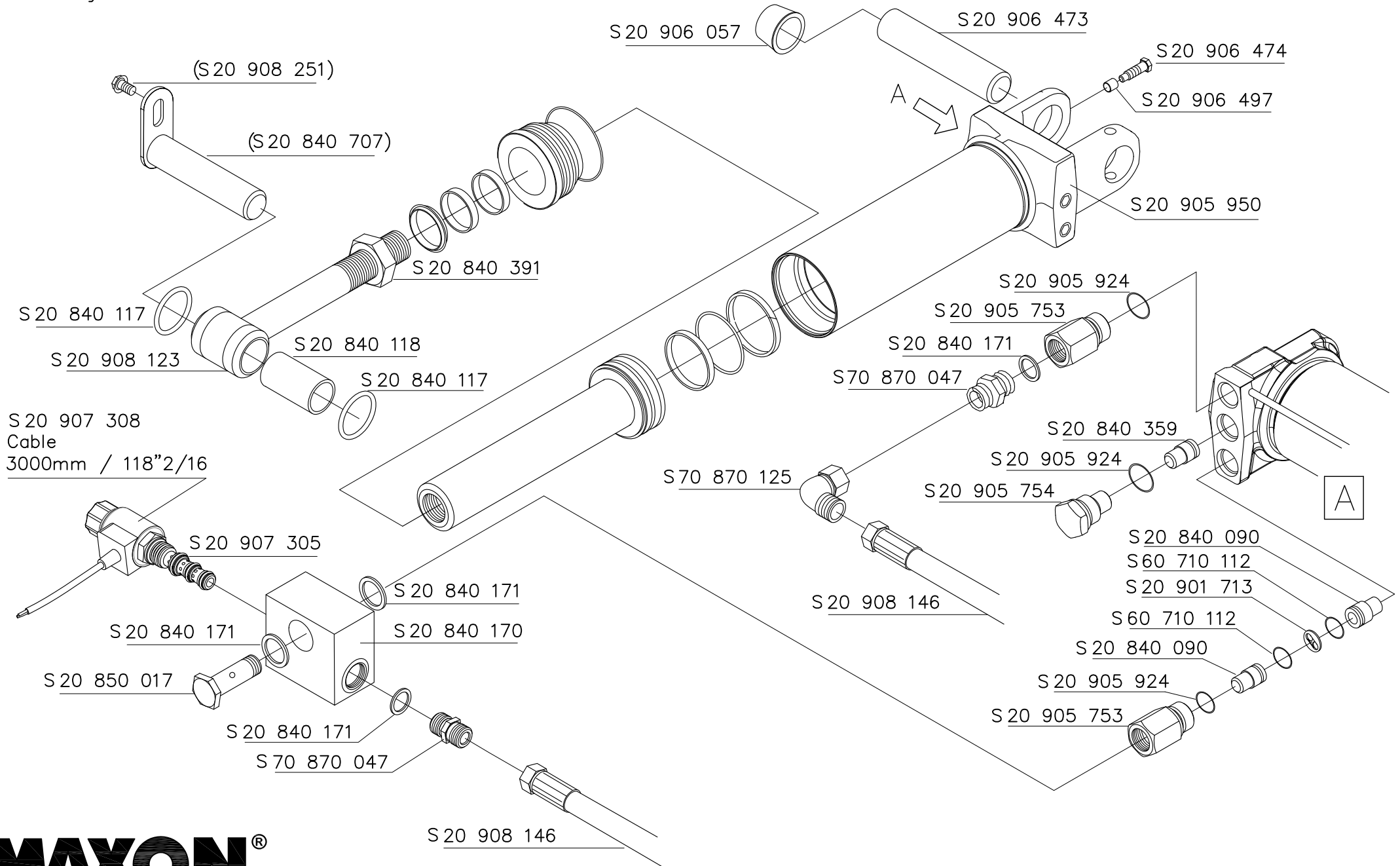


MAXON®

GPC X1 LD

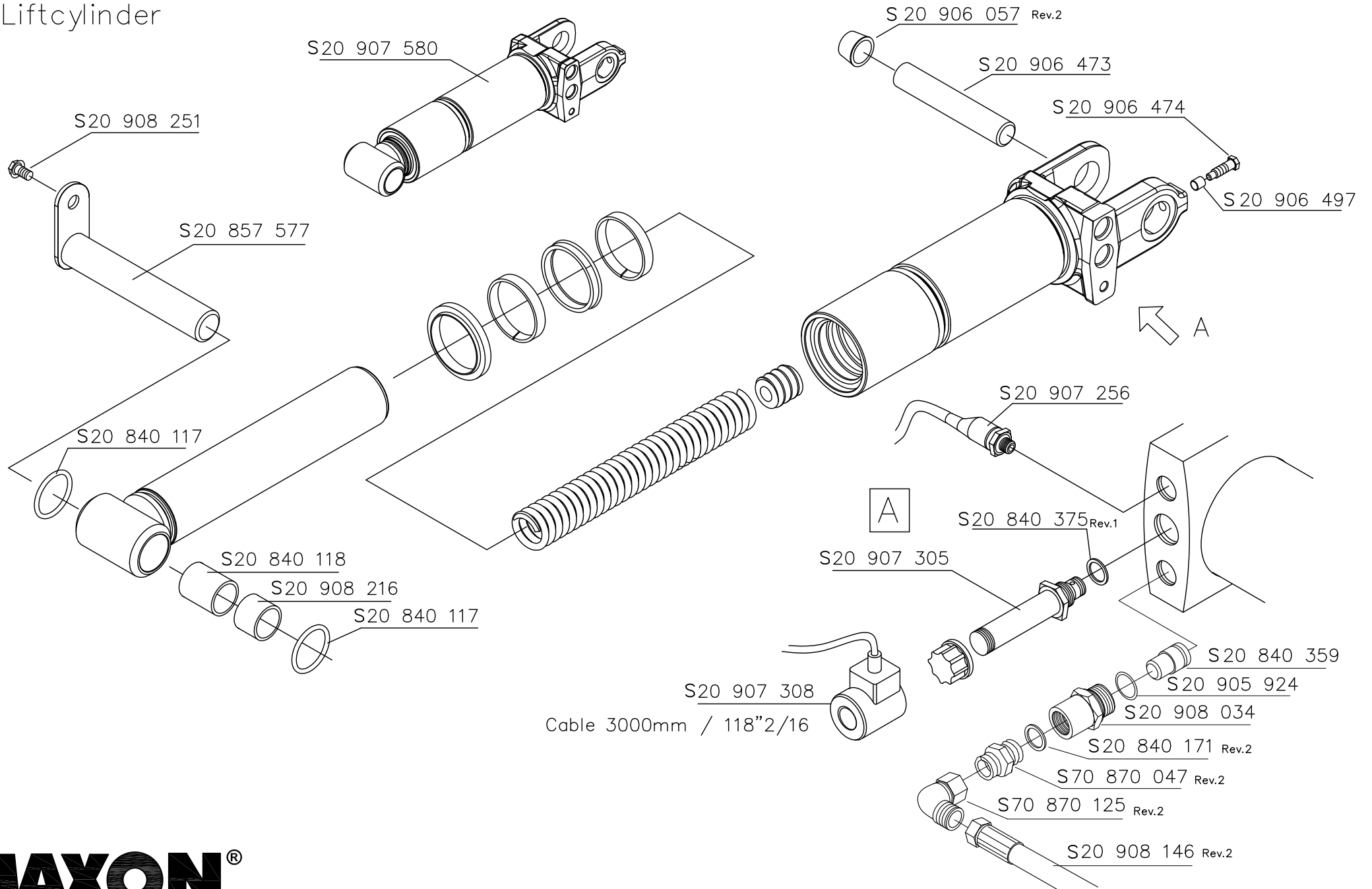
Document no.: S 20 911 226
Version 01.2016

Tiltcylinder



GPC X1 LD

Liftcylinder

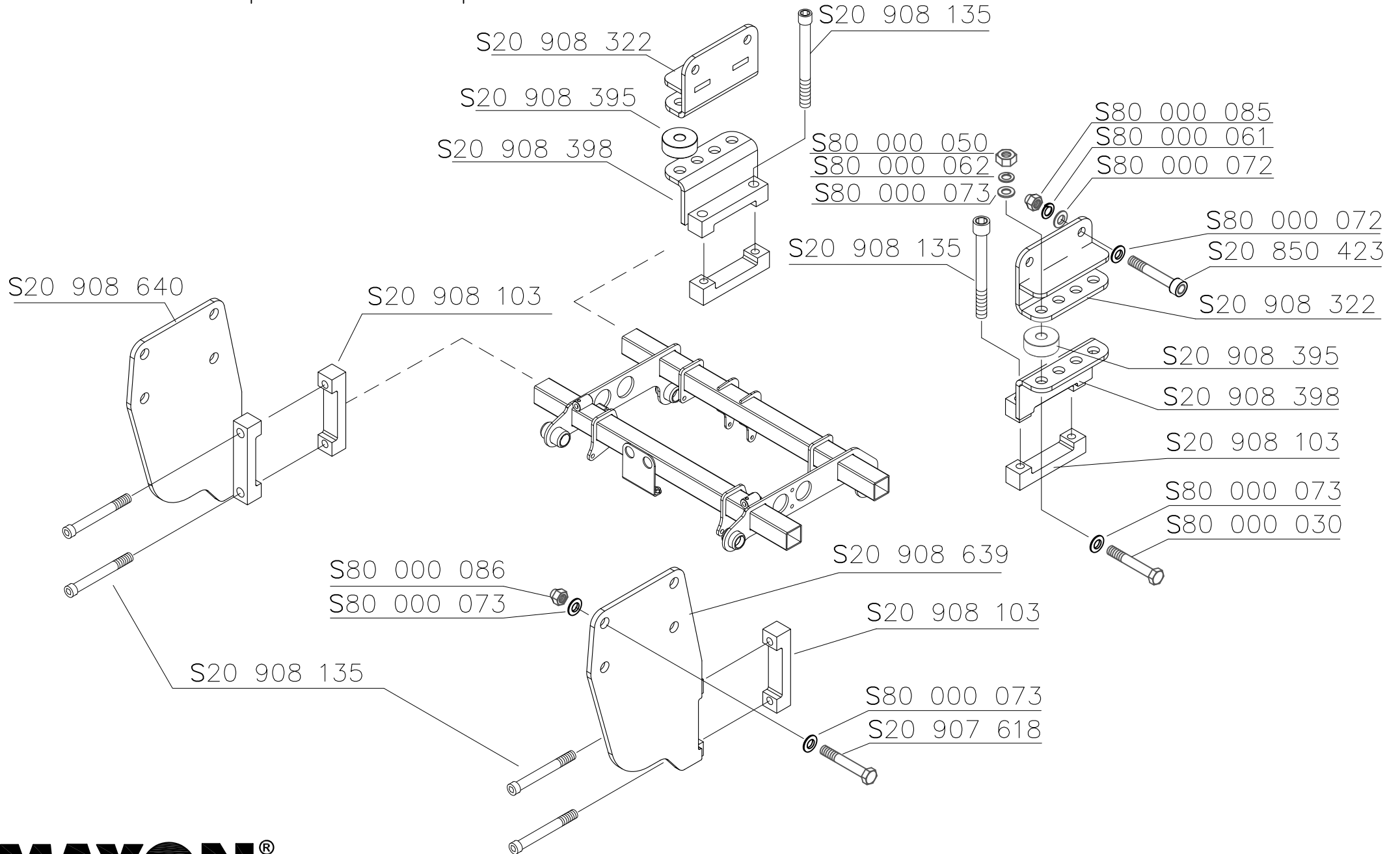


Cable 3000mm / 118"2/16



GPC X1 LD

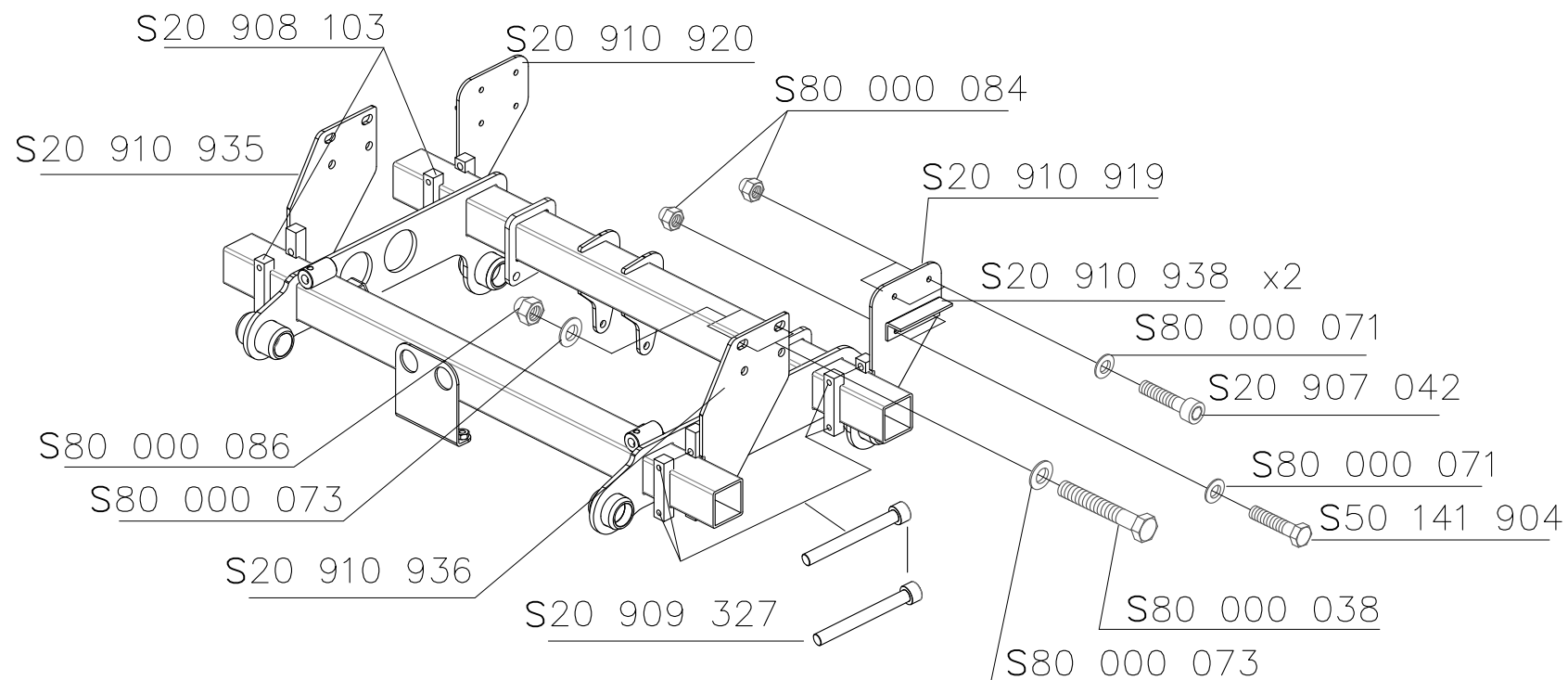
Installation adapter for DB Sprinter and VW Crafter



MAXON®

GPC X1 LD

Installation adapter for Ford Transit year of manufacture since 2014



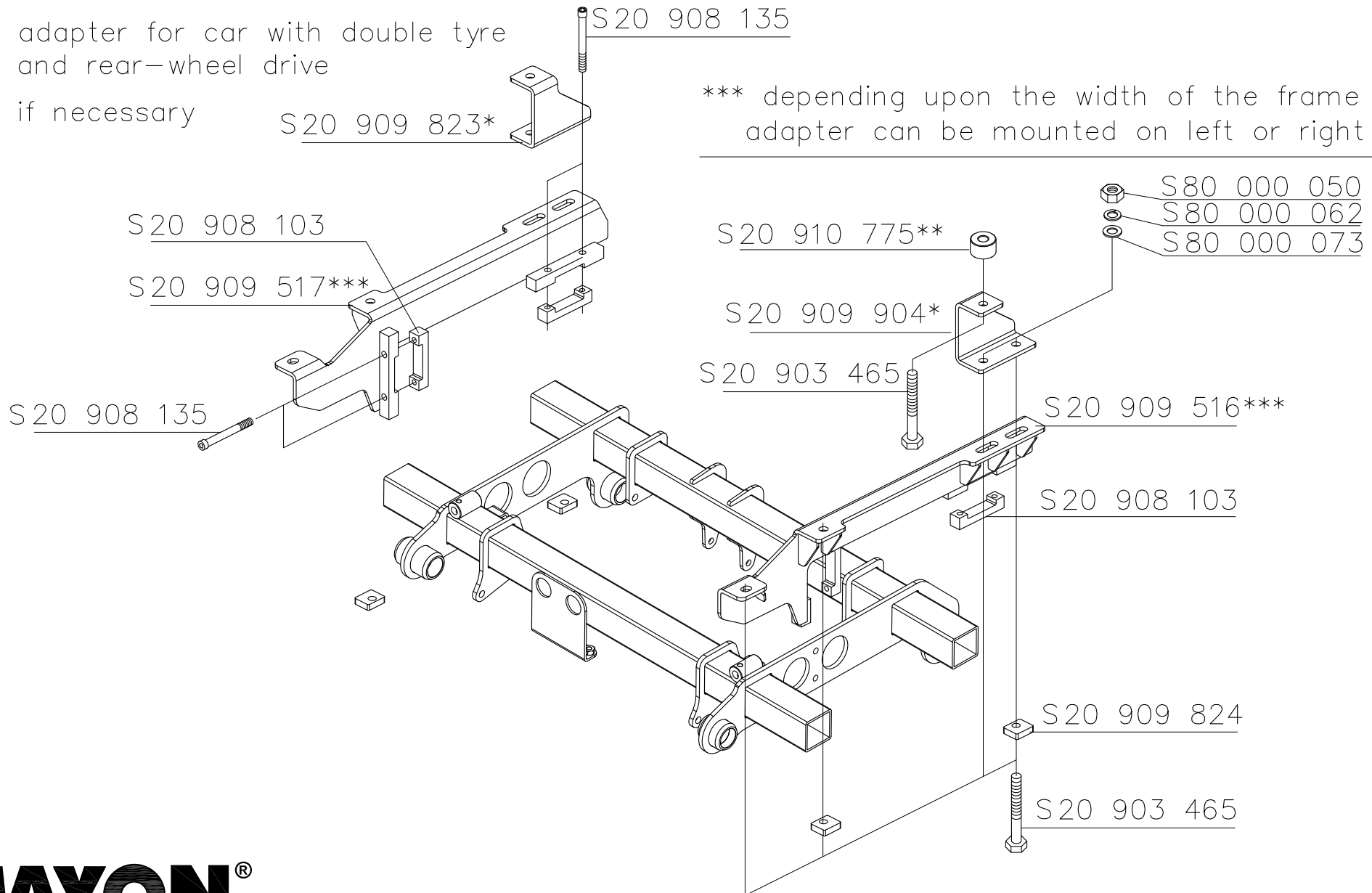
Installation adapter Renault Master / Opel Movano / Nissan Interstar (since year 2010)

* adapter for car with double tyre and rear-wheel drive

** if necessary

S20 909 823*

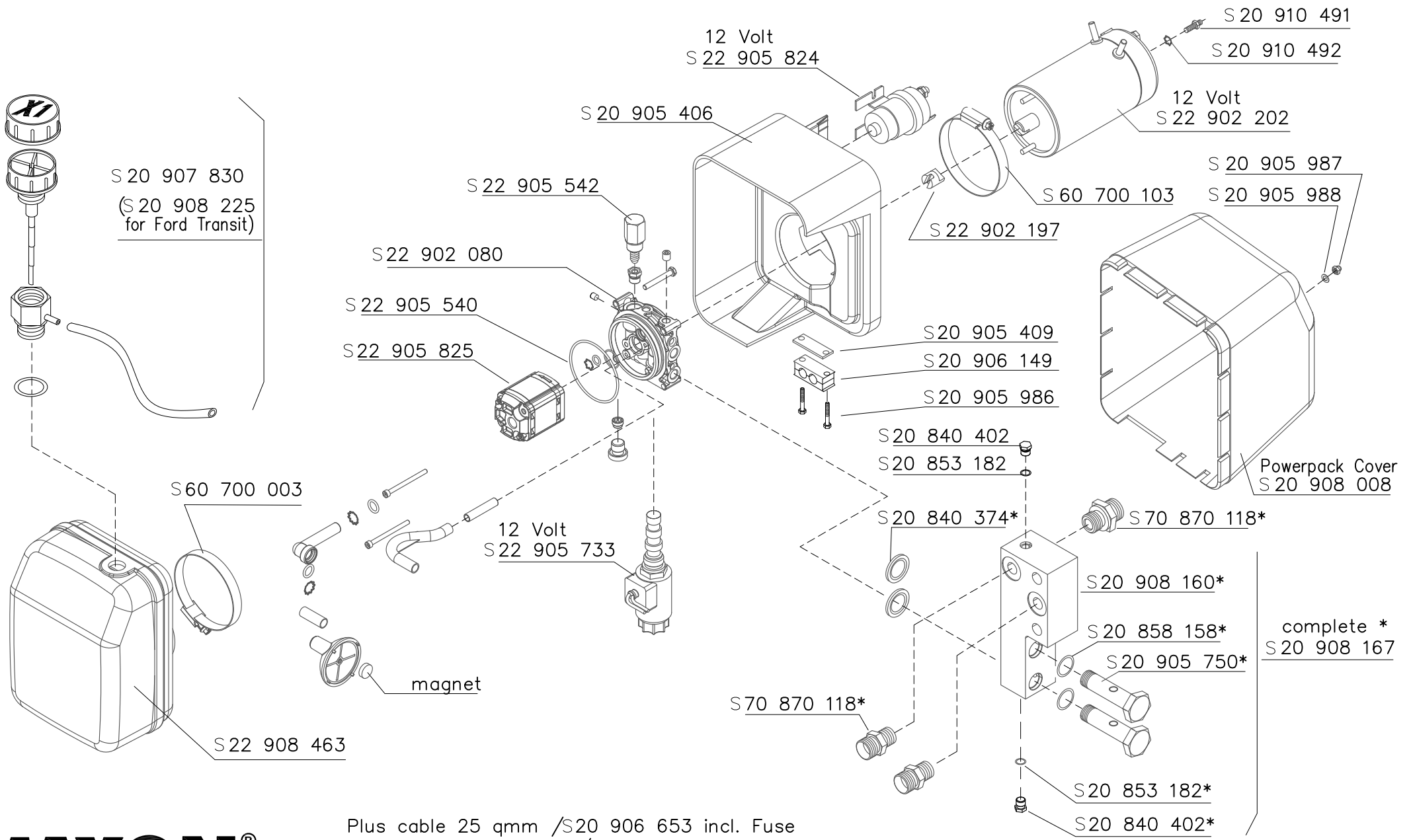
*** depending upon the width of the frame adapter can be mounted on left or right side



MAXON®

GPC X1 LD / LDF

S 20 908 165 Powerpack 12 Volt



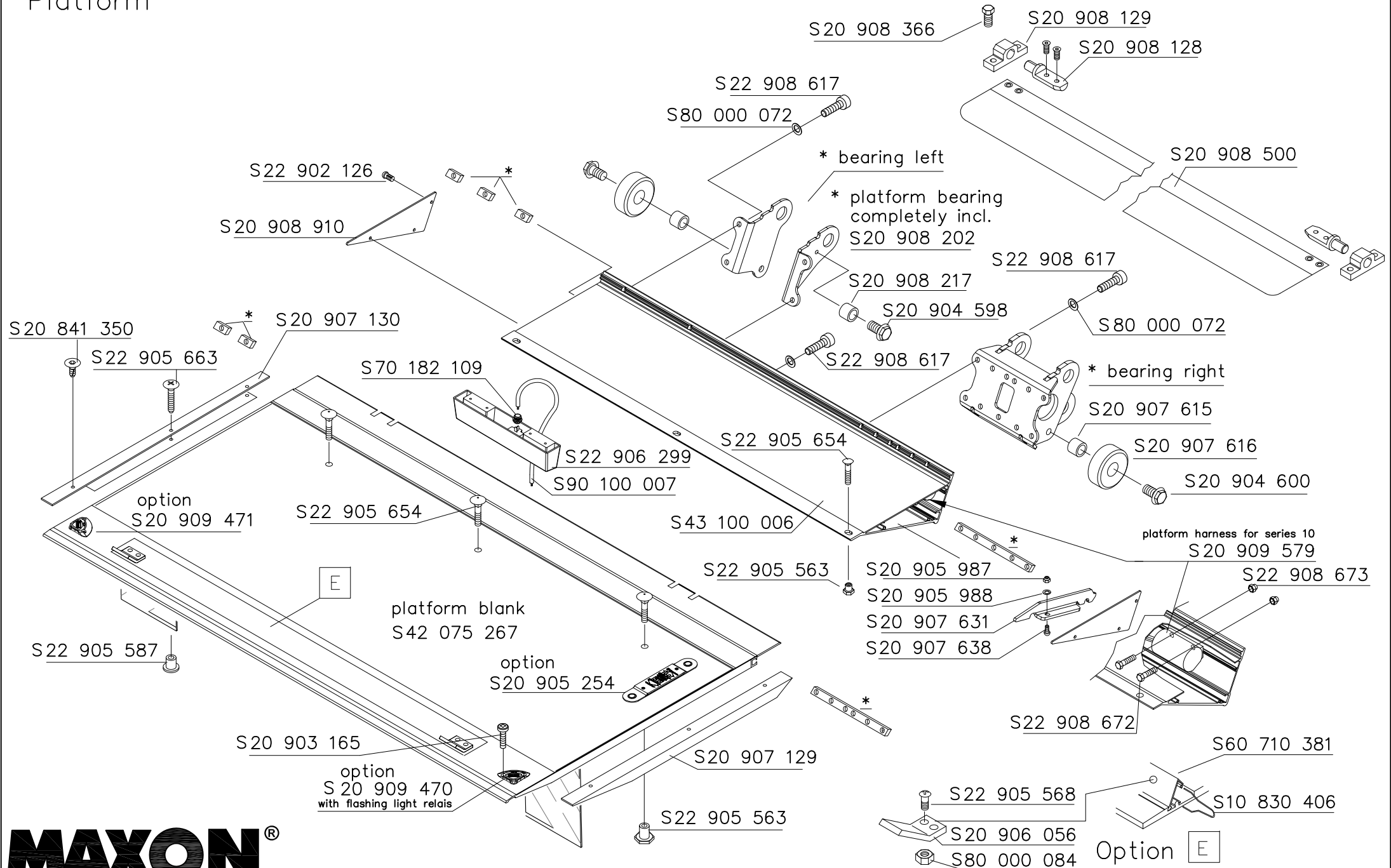
Plus cable 25 qmm /S20 906 653 incl. Fuse
 Ground cable 25 qmm /S20 906 654

complete *
 S 20 908 167

MAXON®

GPC X1 LD

Platform



GPC X1 LD / LDF platform cable-set Series 10

LED-warning-flashing-light
S 20 909 471

cable-set with flash-light
and with food-control
S 20 909 578

cable-set without flash-light
and without food-control
S 20 909 579

to Control-Unit

sensor S2 switch

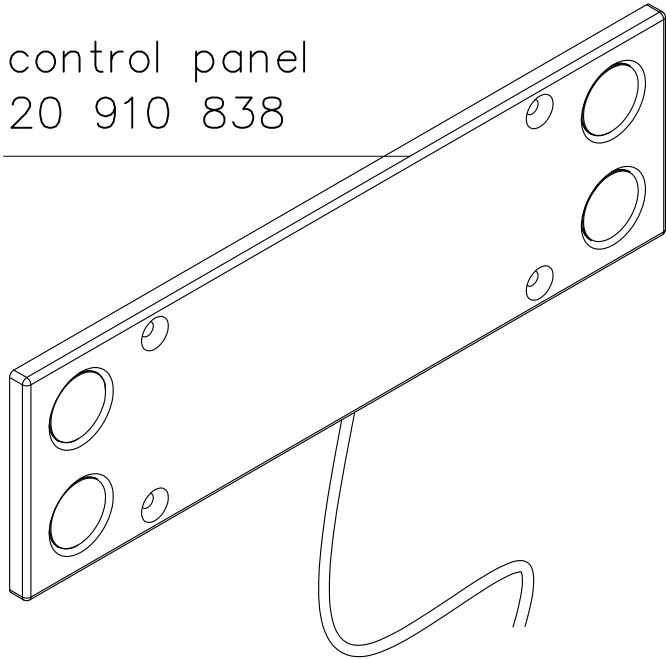
Foot-control
S 20 905 254

Foot-control and LED-warning-flashing-light
is not included in the cable-set/platform harness
S 20 909 579

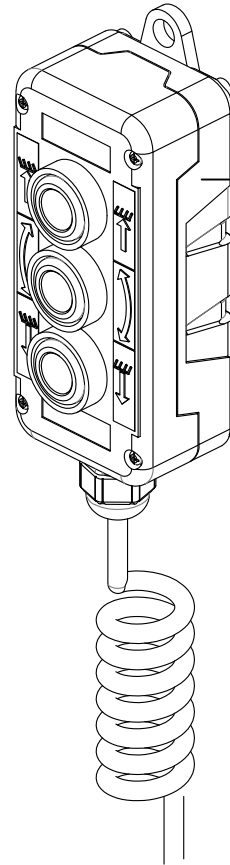
LED-warning-flashing-light
S 20 909 470

Control Unit

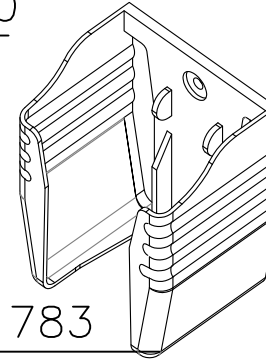
control panel
S 20 910 838



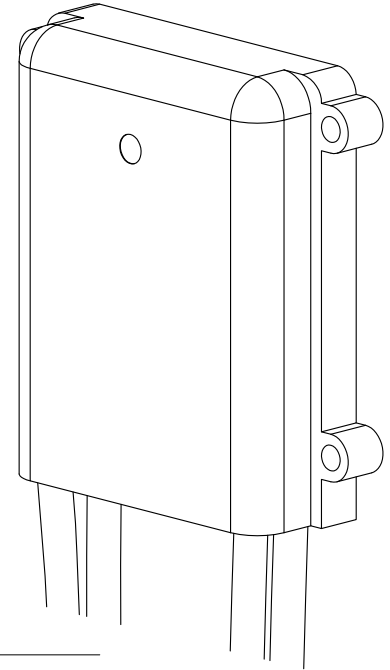
3-button-
hand control box
S 20 907 200



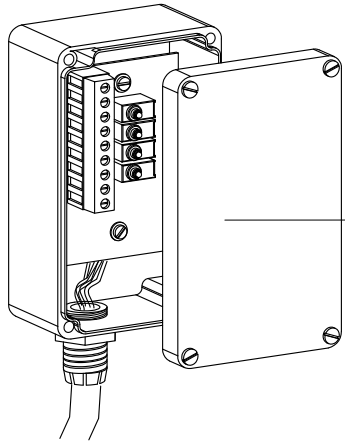
holder
S 22 905 783



control unit series 10
12V / 24V
S 20 909 783



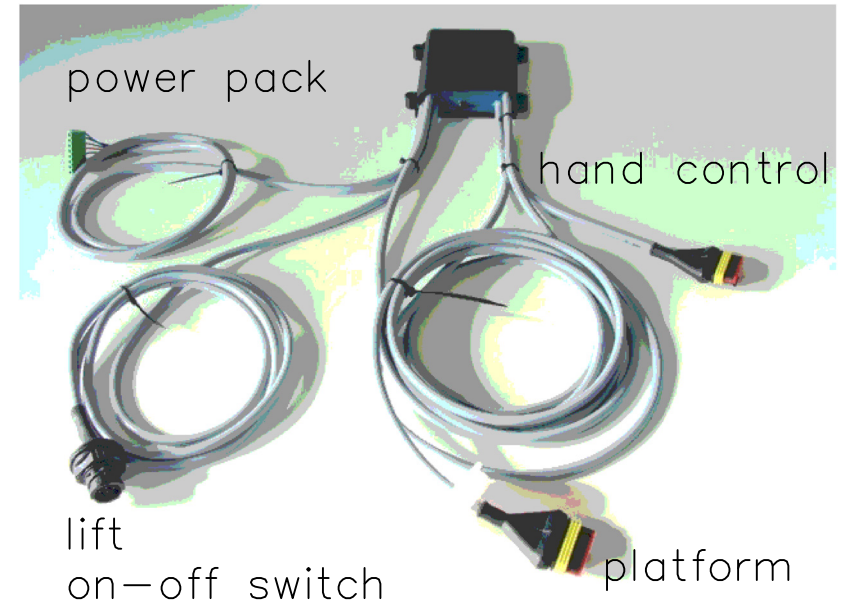
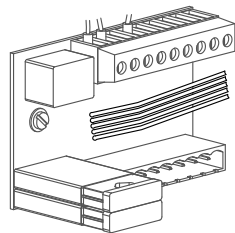
service switch
with housing
S 20 909 511



on-off switch
S 20 906 974



wire
S 20 906 975



power pack

hand control

lift
on-off switch

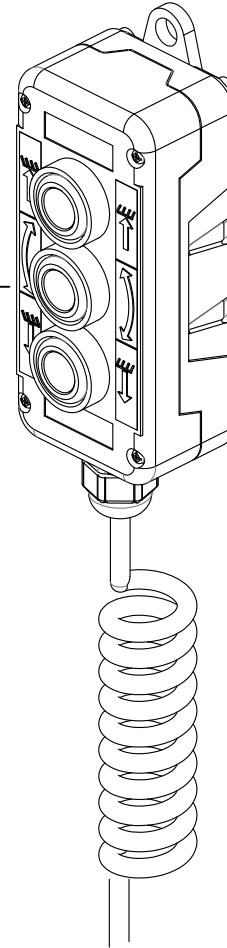
platform

MAXON®

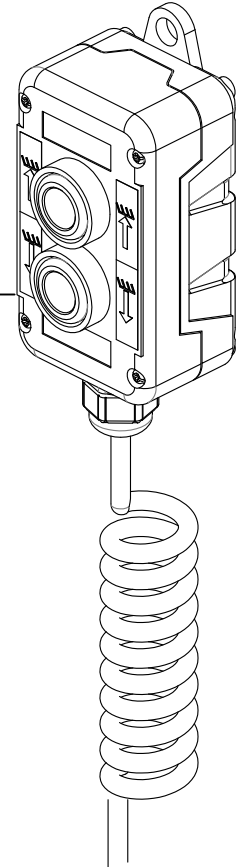
GPC X1 LD

Hand held control

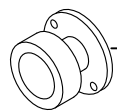
3-button-
hand control box
S 20 907 200



2-button-
hand control box
S 20 906 733

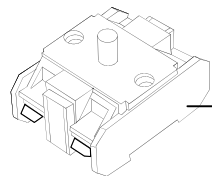


spare parts:



push button

White S 22 905 778
Grey S 22 905 779
Black S 22 905 780



contact

S 22 905 782

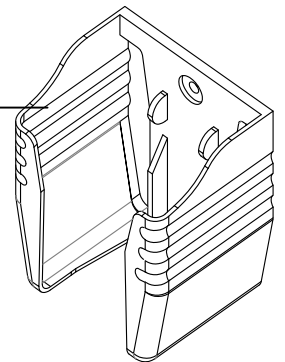
cable spirale

S 22 905 781



holder

S 22 905 783



MAXON®

GPC X1 LD / LDF