

TUK-A-WAY® SERIES

The 72-150 & TE-20 Series

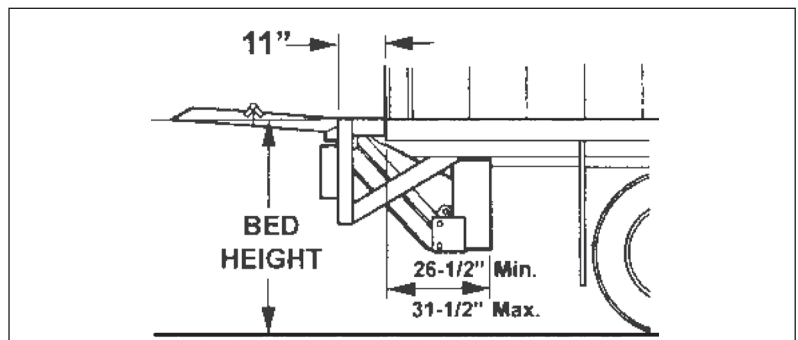


72-150 & TE-20 SPECIFICATIONS

The 72-150 & 72-20 Center Arm Series of Tuk-A-Way® liftgates are the economical choice for general purpose applications requiring 1,500 lbs. to 2,000 lbs. lifting capacity. The minimum laden bed height of 38" makes the 72-150 & 72-20 an ideal solution for low bed height applications.

- Center Arm, Low Maintenance
- Standard Ride
- Low Bed Height
- Platform folds and stows under the body in the dock ready position

MODEL CAPACITY	PLATFORM	RAMP	TOTAL WEIGHT	BED HEIGHT
72-150 (1,500 LBS.)	32" X 72"	4"	542 Lbs.	38" Min. w/Body Laden
	32" X 84"		567 Lbs.	54" Max. w/Body Unladen
	36" X 72"	Wedge	575 Lbs.	44" Min. w/Body Laden
	36" X 84"		615 Lbs.	54" Max. w/Body Unladen
TE-20 (2,000 LBS.)	32" X 72"	4"	551 Lbs.	38" Min. w/Body Laden
	32" X 84"		570 Lbs.	54" Max. w/Body Unladen
	36" X 72"	Wedge	580 Lbs.	44" Min. w/Body Laden
	36" X 84"		620 Lbs.	54" Max. w/Body Unladen
Aluminum				
72-150 (1,500 LBS.)	36" x 72" 36" x 84"	6"	525 Lbs.	38" Min. w/Body Laden
TE-20 (1,500 LBS.)	36" x 72" 36" x 84"		535 Lbs.	54" Max. w/Body Unladen



Lift Dimensions and Mounting Requirements

NOTE: Please review appropriate liftgate installation manual for full vehicle and or body requirements to ensure proper fitment.

TUK-A-WAY® SERIES

The 72-150 & TE-20 Series

MAXON®

Optional Features

- Heavy-Duty Dock Bumpers
- Dock Bumper Rubber Pads
- Street Side Controls
- Power Down Electric Control
- 150 Amp Circuit Breaker (No Charge Option)
- Extruded Aluminum Platform
- Galvanized Finish



EFFICIENT LIGHTWEIGHT DESIGN

Because of the efficient lightweight structural design and the standard Electric Station on the 72-150 and the TE-20, minimal operator effort is required.



STANDARD ELECTRIC CONTROL

The Electric Control Station mounted on the vehicles corner post is within easy reach while standing on the ground or while riding on the platform.



DIRECT TORSION SPRING ASSIST

The exclusive MAXON design uses a direct torsion spring to assist the operator in opening the platform and flipover sections. The direct spring is factory set and is virtually maintenance free in normal use.



MAXPRO® Paint or GALVANIZED Finish

This patented, Maxon exclusive paint process has a tough polyurea top coat and an AL rich primer that combat corrosion and keep the liftgate looking like new. For even more corrosion protection, the 72-150 & TE-20 are also available in a galvanized finish.

Standard Equipment

- 2 GAUGE CABLE
For maximum operating efficiency and increased electrical component life. Maxon uses factory assembled, heavy-duty 2-gauge charge line.
- FULL LENGTH FLIP-OVER SUPPORT
Maxon uses a full length, formed steel shell to support the flipover, eliminating the potential for buckling at the Platform/Flipover seam.
- HEAVY-DUTY SUPPORTS
Maxon uses heavy-duty tubing and channel under the body extension plate to prevent deflection common to gusset supported designs.
- PUMP AND MOTOR ENCLOSURE
A Sealed plastic cover is standard equipment and helps to protect the pump motor from dirt and weather.

Distributed by:

M132-0516



Maxon Lift Corp. 11921 Slauson Ave., Santa Fe Springs, CA 90670
800.227.4116 Fax 888.771.7713, www.maxonlift.com