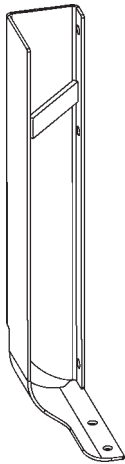


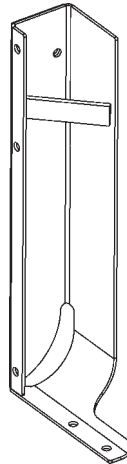
INSTRUCTIONS, (FORD) SUPER DUTY INSTALLATION KIT (C2 PICKUP LIFTGATES)

FORD SUPER DUTY F-250, F-350 & F-450 PICKUP TRUCKS,
2017- PRESENT

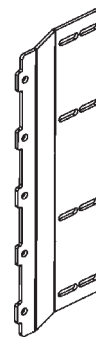
KIT P/N 297890-01G (T-285)



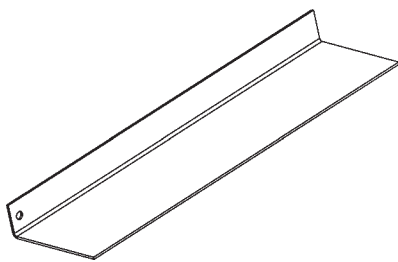
MOUNTING BRACKET, LH
P/N 297885-01G
QTY. 1



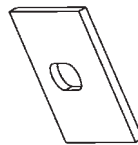
MOUNTING BRACKET, RH
P/N 297885-02G
QTY. 1



**MAIN FRAME
MOUNTING BRACKET**
P/N 297887-01G
QTY. 2



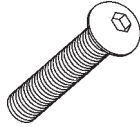
FILLER PLATE, 19-1/2' LG
P/N 297888-02
QTY. 3



SPACER, 1/8" X 2" X 2"
P/N 295991-01
QTY. 6



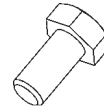
VINYL PROTECTION TAPE
(2" WIDE X 144" LG)
P/N 297838-01
QTY. 1

BOLT KIT, P/N 289488-01

BUTTONHEAD SCREW
3/8"- 16 X 1" LG.
P/N 900064-05
QTY. 8



PAN HEAD SCREW
#10-24 X 3/4" LG.
P/N 900753-07
QTY. 8



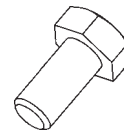
HEX CAP SCREW
3/16"-16 X 1" LG, GR5
P/N 900778-02
QTY. 12



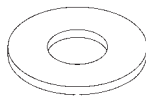
LOCK WASHER, 3/8"
P/N 902011-4
QTY. 20



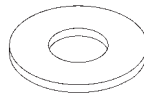
LOCK WASHER, 1/2"
P/N 902011-6
QTY. 6



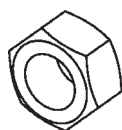
HEX CAP SCREW
1/2"- 13 X 1-1/4" LG, GR5
P/N 900781-02
QTY. 6



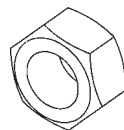
FLAT WASHER, 3/8"
P/N 902001-2
QTY. 6



FLAT WASHER,
1-3/8" OD, 1/2"
P/N 902014
QTY. 4

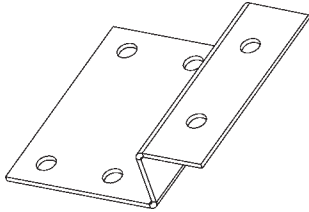


HEX NUT, 3/8"-16
P/N 903161-05
QTY. 20



LOCK NUT, 1/2"-13
P/N 040066
QTY. 4

CIRCUIT BREAKER MOUNTING KIT P/N 295999-01G (014196)



CIRCUIT BREAKER BRACKET
P/N 295998-02
QTY. 1



**HEX HEAD SELF-DRILLING
SCREW, #12 X 3/4" LG.**
P/N 900045-1
QTY. 2



PAN HEAD SCREW,
1/4"-20 X 3/4" LG.
P/N 900002-1
QTY. 2



NUT, 1/4"-20
P/N 903163-01
QTY. 2

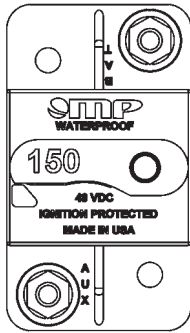
BOLT KIT (BAGGED), P/N 297891-01 (13180)



**HEX HEAD SELF-DRILLING
SCREW, #12 X 3/4" LG.**
P/N 900045-1
QTY. 12

NOTE: C2 Liftgates are shipped with the following parts kits for installing the Liftgate.
The parts are stored in the main frame housing.

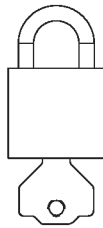
C2 LIFTGATE SMALL PARTS & MANUAL KIT P/N 289484-01



**CIRCUIT BREAKER,
150 AMP
P/N 907207-02
QTY. 1**



**LICENSE PLATE
LIGHT
P/N 907210-01
QTY. 1**



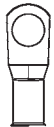
**PADLOCK (2 KEYS)
P/N 908221-01
QTY. 1**

LICENSE
PLATE LIGHT
INSTALLATION
M-14-35

C2
OPERATION
MANUAL
M-14-36



**NYLON PLUG, 1/2"
P/N 908081-01
QTY. 5**



**LUG, 4GA
COPPER, 3/8"
P/N 907278-01
QTY. 4**



**BUTT CONNECTOR,
14-16 AWG
P/N 030491
QTY. 2**



**SELF-TAPPING SCREW,
1/4"-20 X 5/8" LG.
P/N 900705-02
QTY. 2**



**PAN HEAD SCREW,
#10-24 X 3/4" LG.
P/N 900007-6
QTY. 2**



**DROP-AWAY PIN
P/N 289483-01
QTY. 1**



**BREATHER PLUG, 3/8" NPT
P/N 295049
QTY. 1**



**GROMMET NUT, 1/4"
P/N 901015-03
QTY. 2**

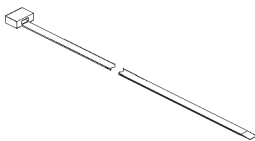


**NUT, #10-24
P/N 903163-02
QTY. 2**

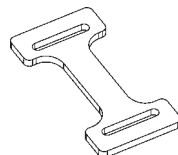


**LOCK NUT, 3/8"-16
P/N 901016-4
QTY. 1**

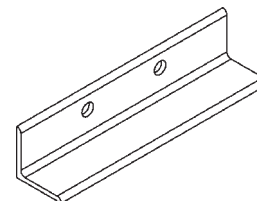
LOWER MOUNTING ANGLE



**PLASTIC TIE
P/N 205780
QTY. 8**



**CAMERA BACK BRACKET
P/N 298514-01
QTY. 1**



**SHIPPING LEG
P/N 289543-02
QTY. 2**

NOTE: Installer is responsible for ensuring vehicle meets Federal, State, and Local standards and regulations.

BODY STRENGTH

⚠ WARNING

Consult vehicle body manufacturer for vehicle body strength data. Make sure the forces created by the Liftgate are within the limits prescribed by the vehicle body manufacturer.

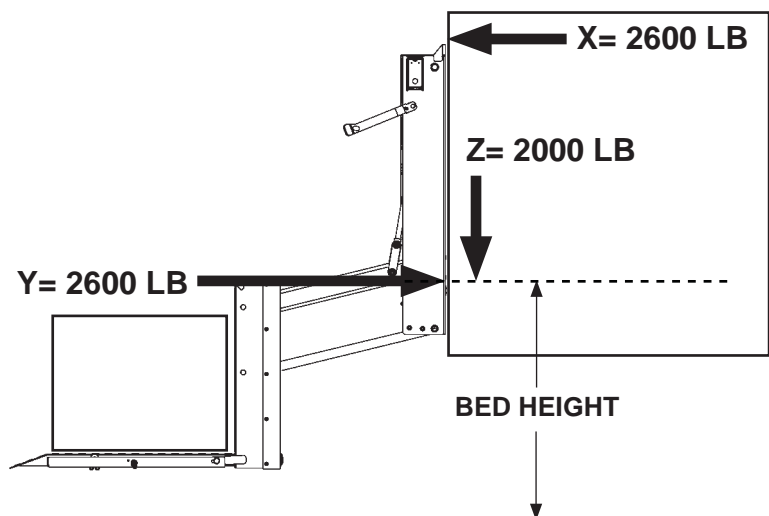
NOTE: Maximum operating bed height for **C2** mounted on pickup body is **42" (Unloaded)**. Minimum bed height is **28" (Loaded)**.

The **C2** is a body-mounted liftgate that put forces on the side walls of truck bodies (**FIG. 5-1**). For correct installation, truck bodies must be strong enough to withstand the tension, compression and shear forces shown in **FIG. 5-1**.

X= Tension on each sidewall

Y= Compression on each sidewall

Z= Shear on each sidewall



**C2 LIFTGATE SHOWN ON TRUCK BODY
FIG. 5-1**

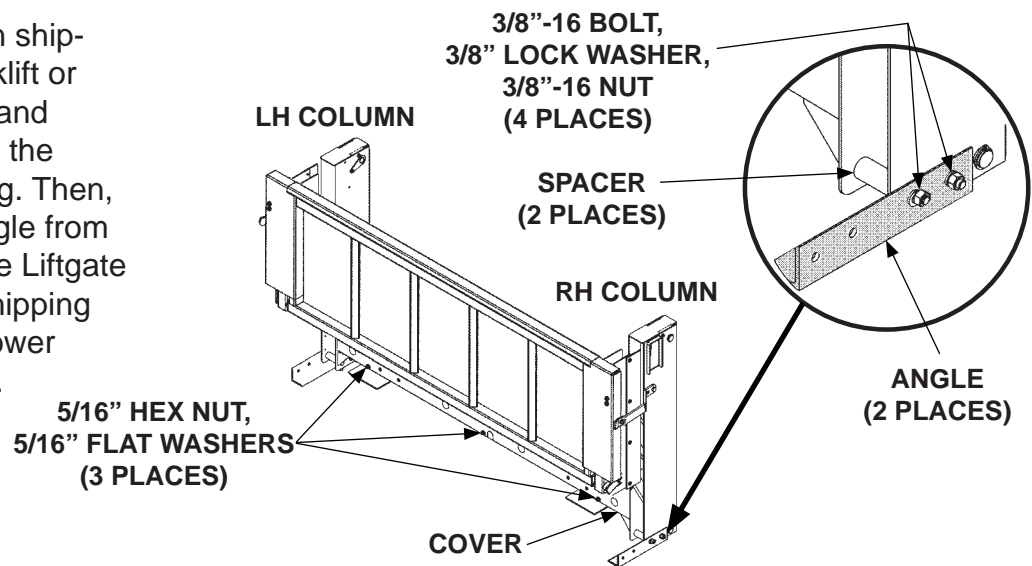
PREPARE LIFTGATE

1. Remove mounting kits shipped with liftgate. Refer to kits on **Sheets 1 through 4**. Verify mounting brackets are the correct brackets for this installation.

⚠ CAUTION

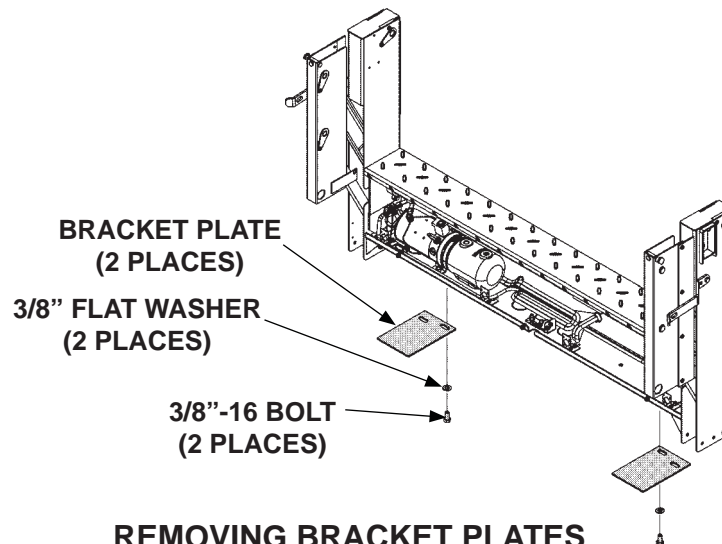
Liftgate will not stand upright without the shipping angles. Before removing the angles, make sure Liftgate is supported with forklift or pallet jack. Injury & property damage could result if Liftgate falls over.

2. Support Liftgate on shipping pallet with forklift or pallet jack. Unbolt and remove cover from the main frame housing. Then, unbolt shipping angle from each column on the Liftgate (**FIG. 6-1**). Save shipping angles to use for lower mounting brackets.



REMOVING SHIPPING ANGLES
FIG. 6-1

3. Unbolt bracket plates from bottom of main frame housing (**FIG. 6-2**). Save the plates to use for lower mounting brackets.

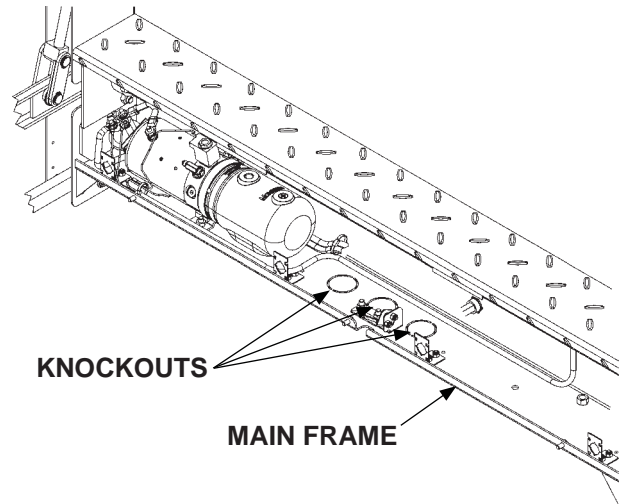


REMOVING BRACKET PLATES
(PLATFORM NOT SHOWN)
FIG. 6-2

PREPARE LIFTGATE - Continued

REMOVE KNOCKOUTS

Verify which knockouts to remove from the bottom of main frame housing (**FIG. 7-1**). Then, remove the knockouts as needed.

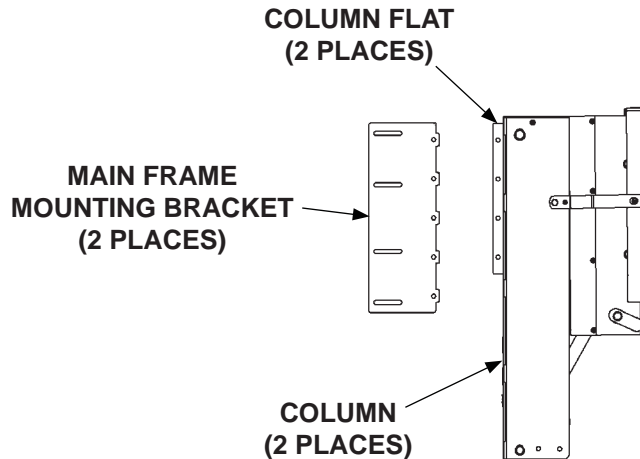


**REMOVING KNOCKOUTS FROM
MAIN FRAME HOUSING
FIG. 7-1**

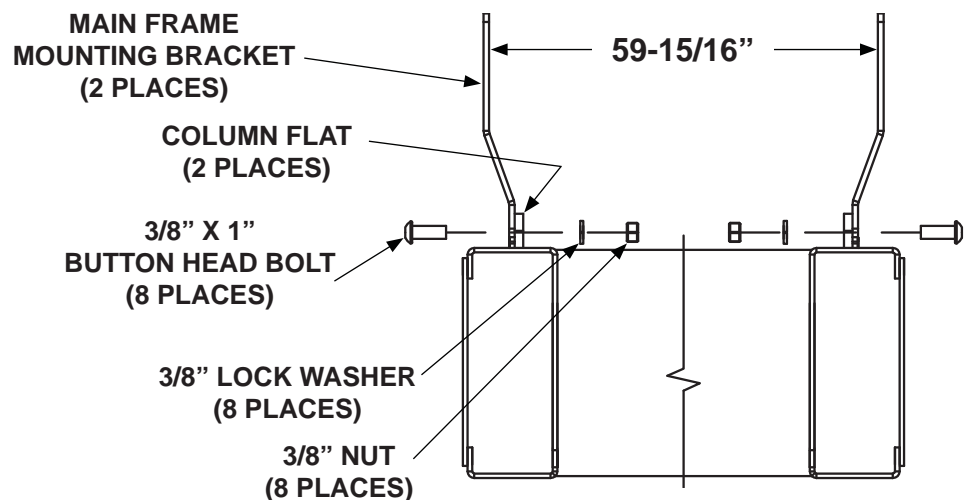
BOLTING ON MAIN FRAME BRACKETS

NOTE: The extra hole in the main frame mounting brackets is always below the 1/4" X 1" strip.

Bolt main frame mounting brackets (Kit items) to column flats (FIGS. 8-1 and 8-2).



**C2 LIFTGATE SHOWN WITH BOLT-ON
MAIN FRAME BRACKETS
FIG. 8-1**

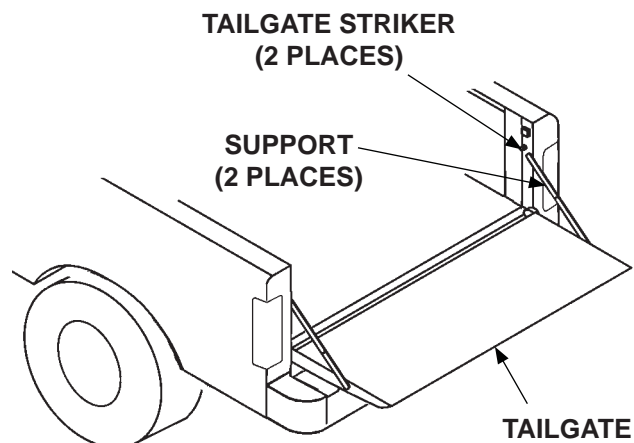


**BOLTING MAIN FRAME MOUNTING BRACKETS
TO OUTSIDE OF COLUMNS ON C2 LIFTGATE
(TOP VIEW)
FIG. 8-2**

PREPARING PICKUP TRUCK

NOTE: Keep the OEM trailer hitch on the truck. It is not necessary to remove the hitch. Liftgate can be mounted 4" to 5" away from the pickup bed to allow sufficient clearance for the hitch.

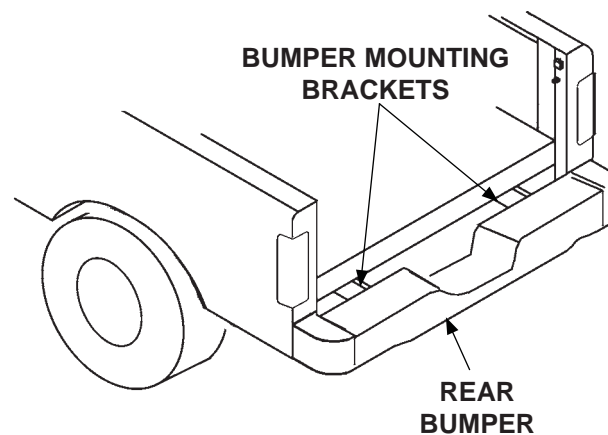
1. Unbolt the tailgate and supports (FIG. 9-1).



2. Remove the tailgate strikers and any other tailgate hardware from the rear of the pickup bed (FIG. 9-1).

REMOVING TAILGATE & SUPPORTS
FIG. 9-1

3. Support rear bumper (FIG. 9-2) before unbolting the bumper brackets.



NOTE: When liftgate is installed on the truck the tailgate and rear bumper cannot be reinstalled.

4. Unbolt and remove rear bumper, bumper brackets (FIG. 9-2).

REMOVING REAR BUMPER
FIG. 9-2

PREPARING PICKUP TRUCK - TAILLIGHT MOUNTING

NOTE: No changes are necessary for OEM taillight fasteners. The taillight mounting screws can be removed with an 8mm wrench after liftgate is installed.

INSTALLING FILLER STRIP

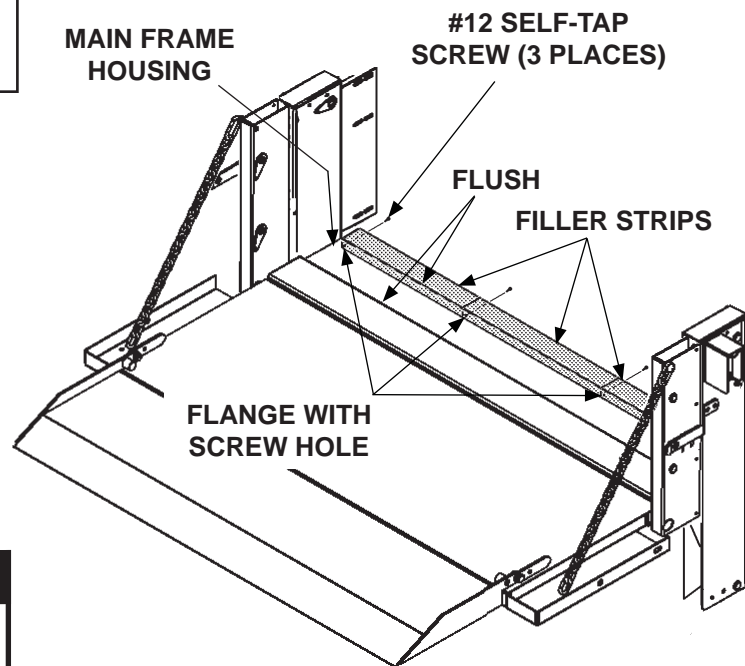
NOTE: The filler strips in the kit will bridge the gap between liftgate and pickup bed. It is important to fasten the filler strips to Liftgate before installing the Liftgate on the truck.

1. Butt the 3 filler strips (Kit item) end-to-end to make 1 long strip at the top rear edge of the main frame housing (**FIG. 10-1**). Position each strip so the short flange and screw hole is butted against the back of the housing (**FIG. 10-1**). Ensure the top surface of each filler strip is flush with top surface the housing.

CAUTION

Before drilling holes in the main frame housing, ensure there are no obstructions to drill bit or no items that could be damaged by drill bit.

2. Use each filler strip as a template to mark and drill hole in back of the main frame housing (**FIG. 10-1**).
3. Fasten each filler strip to main frame with a #12 x 3/4" long self-drilling screw (bagged bolts) (**FIG. 10-1**).



POSITIONING FILLER STRIPS
FIG. 10-1

INSTALLING LIFTGATE

CAUTION

Galvanic corrosion may occur if steel filler strips & brackets are in contact with aluminum truck body. Use vinyl tape from this kit to separate the filler strips & brackets from truck body.

NOTE: Tape RH & LH mounting brackets before bolting to vehicle.

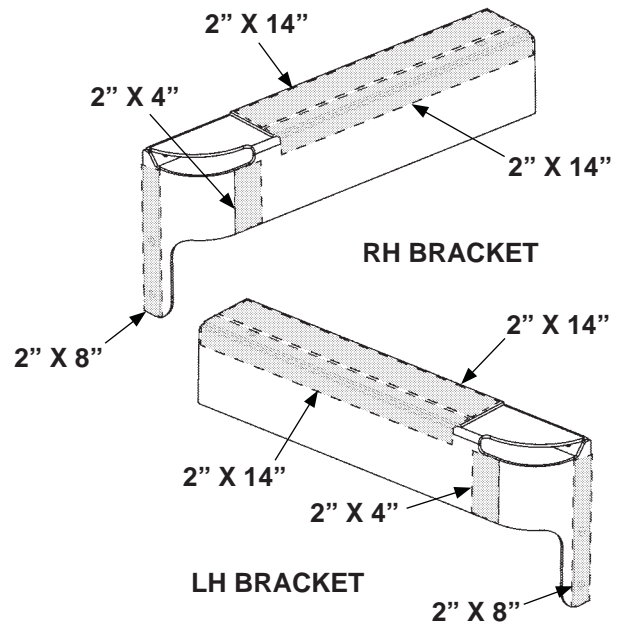
1. Place strips of electrical tape (Kit item) on RH and LH mounting brackets as shown in **FIG. 11-1**. Then, apply strips of electrical tape (19-1/2" long) under the filler strips on main frame housing (**FIG. 10-1**).

NOTE: Holes for mounting brackets are marked and drilled only after liftgate is in correct position on the pickup bed.

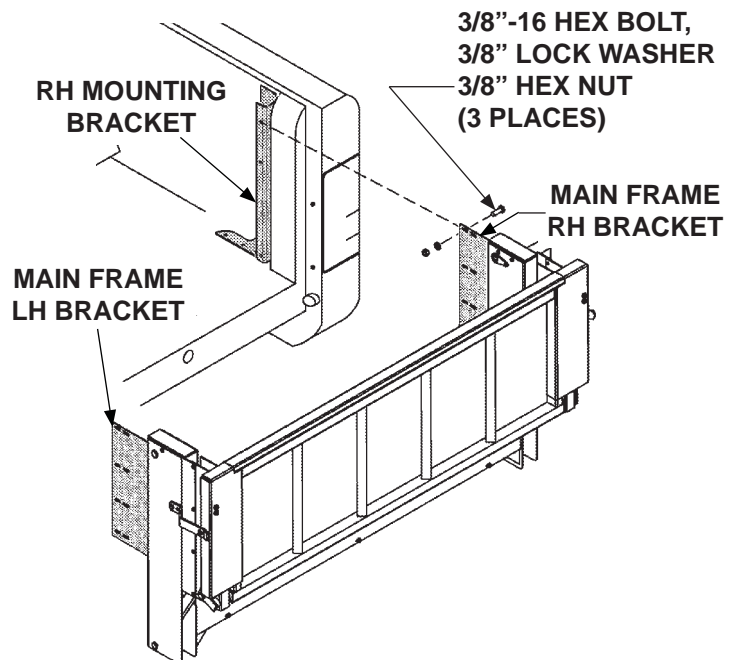
2. Position the LH and RH mounting brackets (Kit items) in the pickup bed just forward of corner posts (**FIG. 11-2**).
3. Position liftgate in the rear opening of the pickup bed (**FIG. 11-2**).
 - Liftgate centered on rear opening in pickup bed
 - Columns vertical
 - Spare tire access hole aligned with spare tire tube on truck
 - Top of main frame and filler strip flush with floor of pickup bed

NOTE: Ensure nuts and lock washers are on the inboard side of the mounting brackets.

4. Bolt the main frame brackets on liftgate, to the RH mounting brackets as shown in **FIG. 11-2**. Handtighten bolts and nuts. Repeat for LH mounting bracket.



TAPING MOUNTING BRACKETS
FIG. 11-1



BOLTING LIFTGATE TO RH MOUNTING BRACKET
FIG. 11-2

INSTALLING LIFTGATE - Continued

- Let liftgate hang with support from corner posts of the pickup bed.

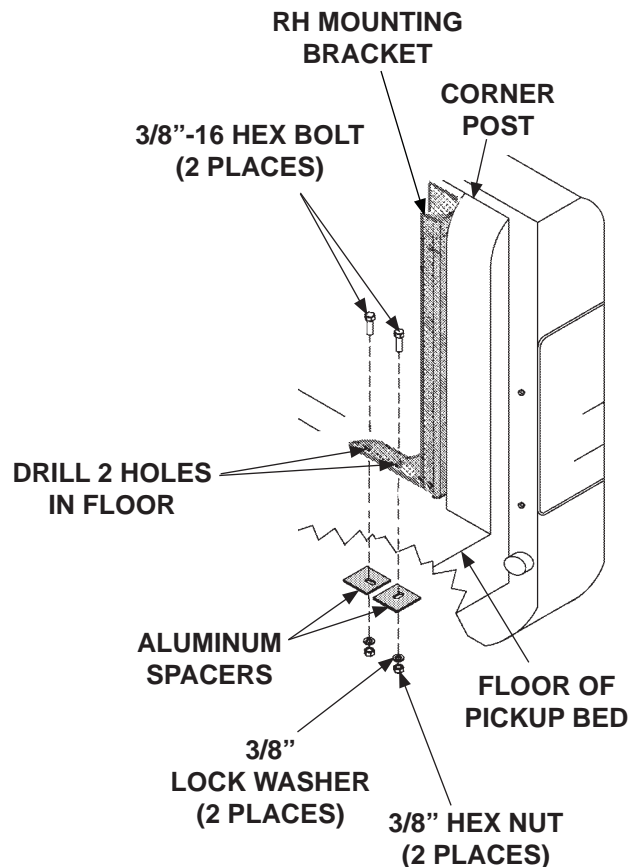
CAUTION

Before drilling holes in the pickup bed, ensure there are no obstructions to drill bit or items that could be damaged.

- Hold RH mounting bracket against corner post of the pickup bed (**FIG. 12-1**). Then, use 2 bracket holes to drill 2 holes for 3/8"-16 bolts in floor of the pickup bed (**FIG. 12-1**). Repeat for LH mounting bracket.

NOTE: For bolting steel brackets to aluminum truck body, only use the zinc-plated fasteners and aluminum spacers supplied with the bracket and bolt kits.

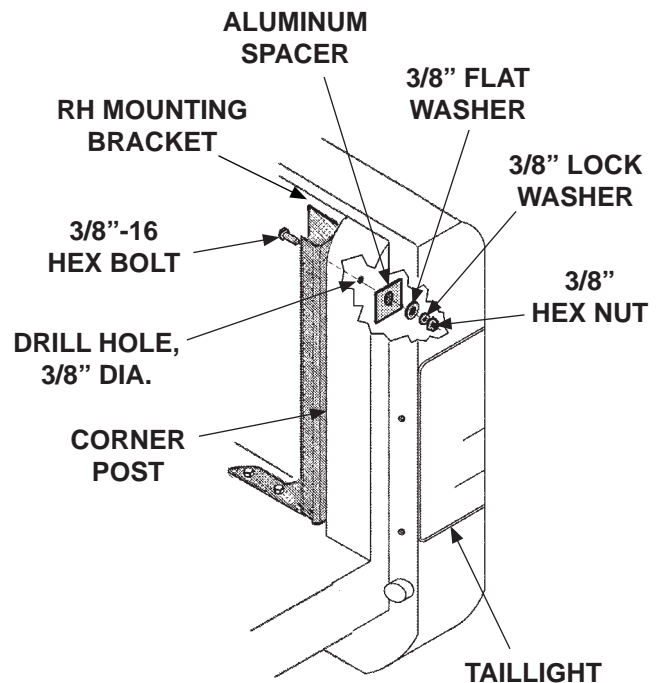
- Bolt RH mounting bracket to the floor of pickup bed as shown in **FIG. 12-1**. Repeat for LH mounting bracket.



BOLTING RH MOUNTING BRACKET TO PICKUP BED (LIFTGATE NOT SHOWN)
FIG. 12-1

INSTALLING LIFTGATE - Continued

8. Use upper hole in the back of RH mounting bracket as a template to drill hole through inner side of corner post on pickup bed (FIG. 13-1). Then, bolt RH mounting bracket to corner post of pickup bed as shown in FIG. 13-1. Repeat for LH mounting bracket.



**BOLTING RH MOUNTING BRACKET TO PICKUP BED (LIFTGATE NOT SHOWN)
FIG. 13-1**

9. Unlatch and unfold platform. Refer to operation manual if needed. Then, adjust liftgate position so platform is level from front to back.

10. Securely tighten bolts fastening RH mounting bracket to main frame bracket (FIG. 13-1). Ensure the split lock washers are not in the slotted holes on main frame bracket. Repeat for LH mounting bracket.

11. Reinstall taillights (FIG. 13-1).

CHECKING ACCESS TO SPARE TIRE

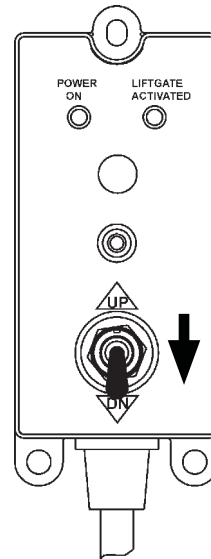
CAUTION

Do not use a battery charger for connecting power to Liftgate power cables.

1. Connect power from a 12 volt truck battery to the Liftgate power cables extending from the back of main frame housing.
2. Refer to operating instructions, in **C2 Operation Manual**, to unfold platform and activate the Liftgate.

NOTE: With the **POWER ON** and **LIFTGATE ACTIVATED** lights on, the Liftgate can be raised or lowered. If the Liftgate is not used for 90 seconds, the control will automatically deactivate.

3. Use the control switch to lower (**DN**) the platform to the ground (**FIG. 14-1**).

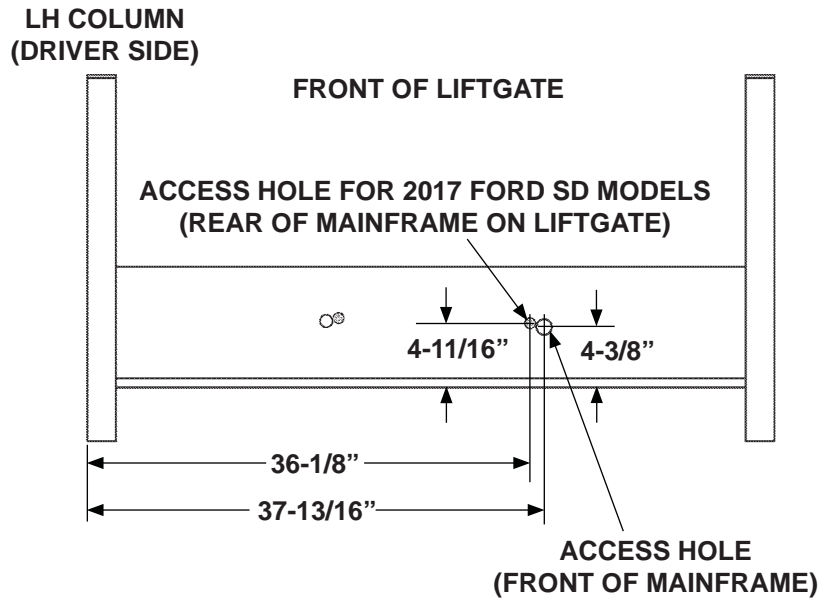


**USING CONTROL SWITCH
TO LOWER LIFTGATE
FIG. 14-1**

CHECKING ACCESS TO SPARE TIRE - Continued

4. Remove the correct black plastic plugs from the cover and mainframe (**FIG. 15-1**).

5. Insert the spare tire crank handle through the holes in the liftgate main frame.



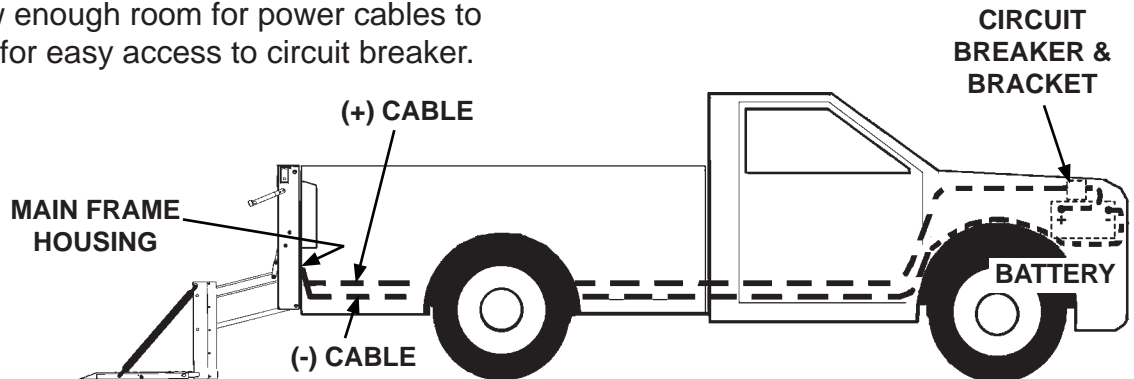
REMOVING PLASTIC PLUGS FOR SPARE TIRE ACCESS, FORD F-150 (2015)

FIG. 15-1

6. Ensure spare tire can be accessed using the crank handle.

ROUTING POWER CABLES

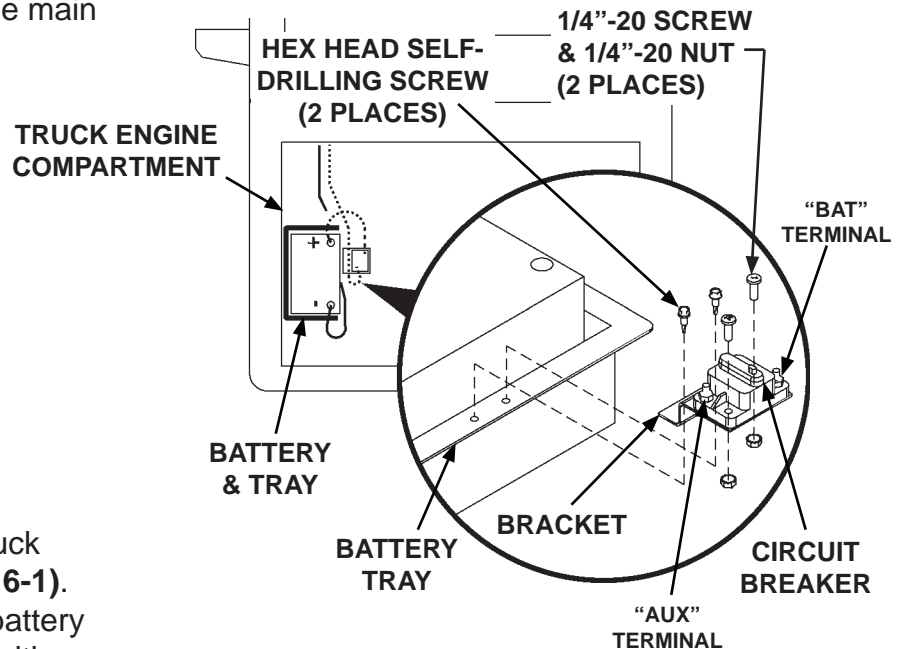
1. Remove the small parts and manual kit from the housing. Refer to **Sheet 4** for contents of the kits.
2. Install circuit breaker and bracket (Kit item) (**FIGS. 16-1 and 16-2**) on the truck battery tray inside the engine compartment (**FIG. 16-2**). Allow enough room for power cables to be run and for easy access to circuit breaker.



RUNNING POWER CABLES FROM LIFTGATE TO BATTERY

FIG. 16-1

3. Pull the (+) and (-) power cables through the cord grip on back of main frame housing. Leave about 2" of slack, for power cables, inside main frame housing.



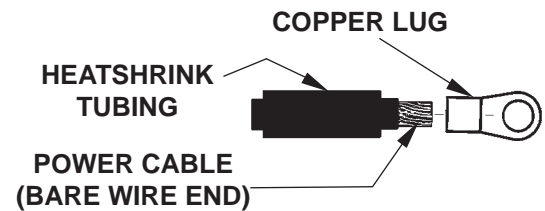
BOLTING CIRCUIT BREAKER & BRACKET TO TRUCK BATTERY TRAY (TOP VIEW)

FIG. 16-2

4. Route power cables along truck frame to truck battery (**FIG. 16-1**). Pull extra cable beyond the battery terminals. Then, separate positive (+) cable from negative (-) cable.

ROUTING POWER CABLES - Continued

5. Cut positive (+) cable to the length required to reach the **AUX** terminal of the circuit breaker (**FIGS. 16-2 and 17-3**), without putting strain on the connection. Install copper lug (Kit item) (**FIGS. 17-1 and 17-2**). Then, connect to **AUX** terminal on 150A circuit breaker (**FIGS. 16-2 and 17-3**).



PLACING COPPER LUG & HEATSHRINK TUBING ON POWER CABLE

FIG. 17-1

6. Cut remaining positive (+) cable long enough to reach from the circuit breaker **BAT** terminal to the positive (+) battery terminal (**FIGS. 16-2 and 17-3**) without putting strain on the connection. Install copper lugs (Kit item) on both ends of cable (**FIGS. 17-1 and 17-2**). Then, connect cable to **BAT** terminal on 150A circuit breaker (**FIGS. 16-2 and 17-3**) and positive (+) terminal on battery (**FIG. 16-2**).

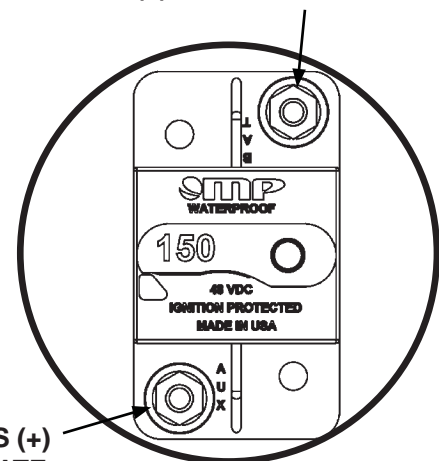


TYPICAL POWER CABLE WITH COPPER LUG INSTALLED

FIG. 17-2

7. Cut negative (-) cable to length required to reach negative (-) battery terminal (**FIG. 16-2**) without putting strain on the connection. Install copper lug (Kit item) (**FIGS. 17-1 and 17-2**). Then, connect cable to negative (-) terminal on battery (**FIG. 16-2**).

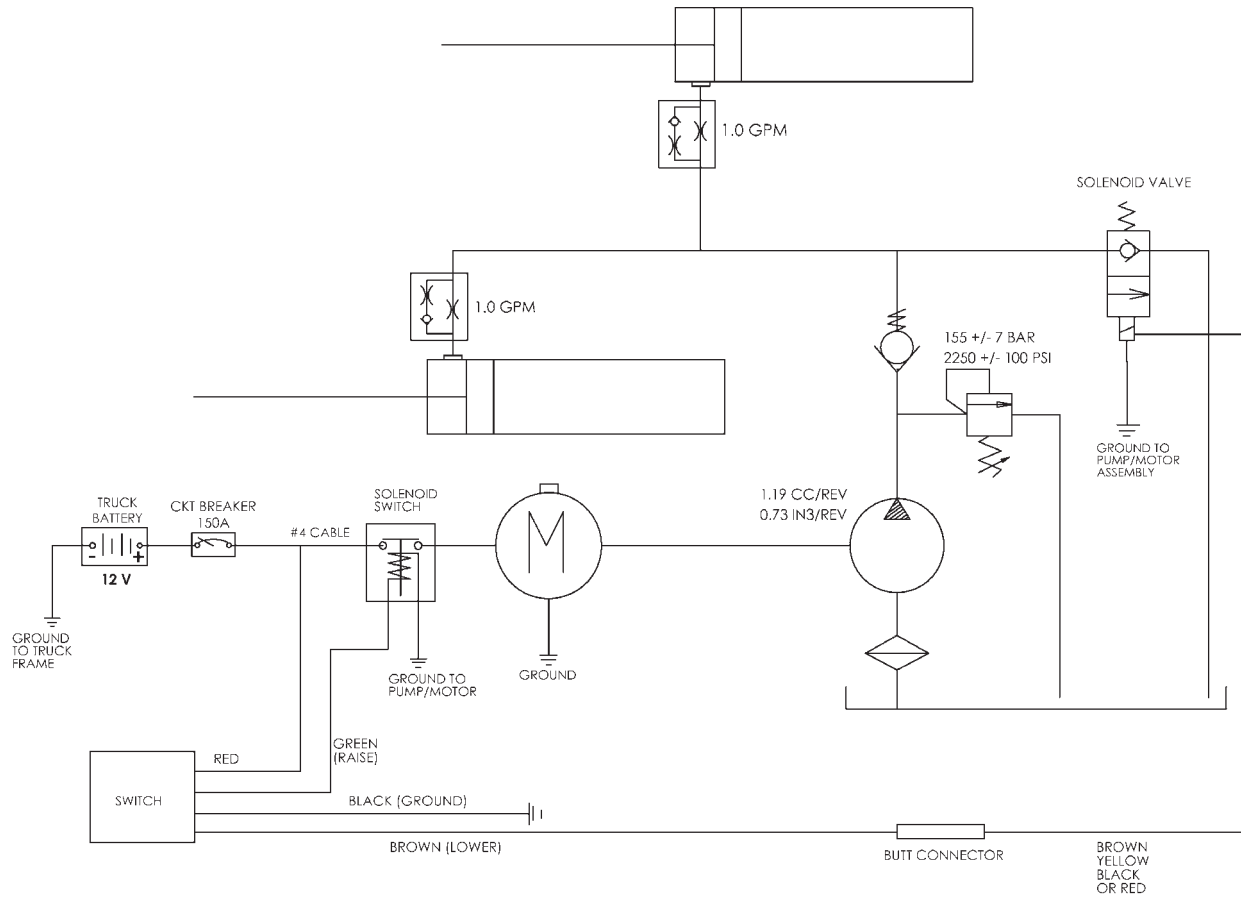
CONNECT SHORT POS (+) CABLE TO BATTERY



CONNECT LONG POS (+) CABLE FROM LIFTGATE

POWER CABLE CONNECTIONS TO 150A CIRCUIT BREAKER

FIG. 17-3



C2 PICKUP LIFTGATE HYDRAULIC & ELECTRICAL SYSTEMS DIAGRAM
FIG. 18-1

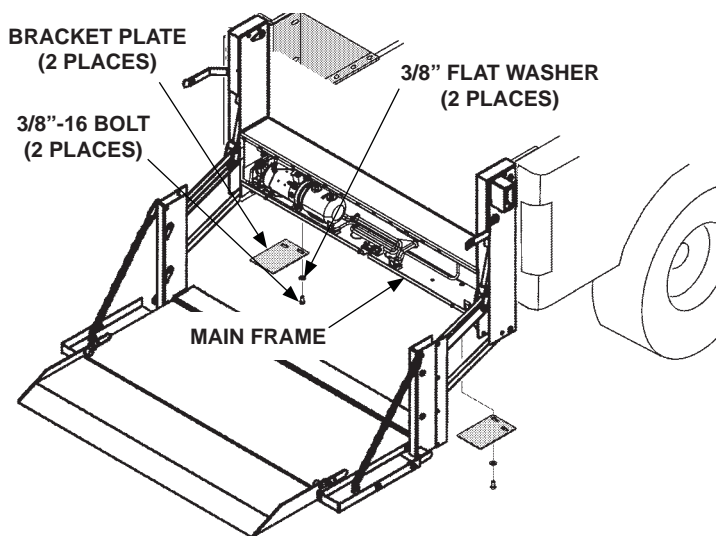
INSTALL LOWER MOUNTS

CAUTION

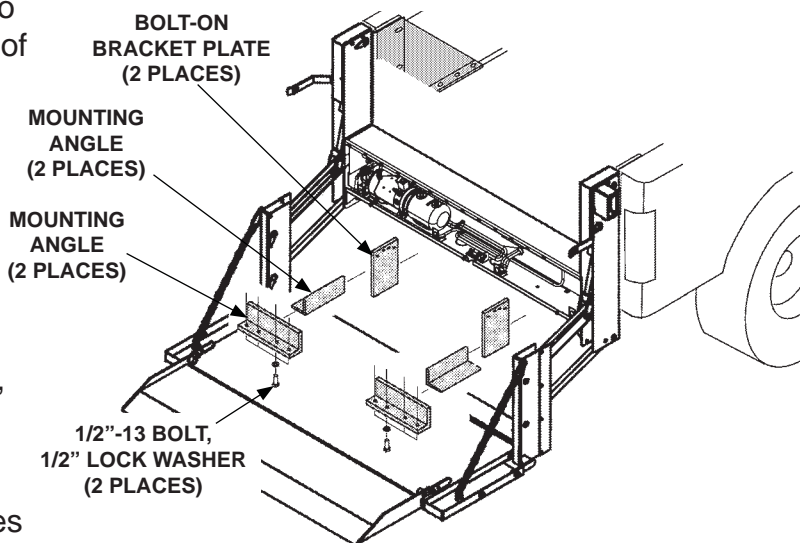
Liftgate can be severely damaged by connecting electric welder ground lead to the wrong place. To prevent damage, always connect ground lead directly to component being welded and as close as possible to the weld.

NOTE: Lower mounts are essential for Liftgate to be installed correctly. They attach to the truck frame and support the bottom of Liftgate.

1. Unbolt bracket plates from bottom of main frame housing (**FIG. 19-1**).
2. Position 2 bolt-on mounting angles, nearest to truck frame at bottom of Liftgate main frame housing (**FIG. 19-2**). Then bolt each angle to hole allowing closest fit to truck frame.
3. Position 2 bracket plates (Kit items) on truck frame at bottom of Liftgate main frame housing (**FIG. 19-2**). Bolt to truck frame. If necessary, modify bracket plates for best fit.
4. Clamp 2 short angles (no holes) (Kit items) to bracket plates on truck frame (**FIG. 19-2**). Position the 2 angles to reach the angles bolted on bottom of main frame housing.
5. With angles, and bracket plates positioned and clamped together, tack weld the angles and plates in position (**FIG. 19-2**).
6. Unbolt tack-welded lower brackets from truck frame (**FIG. 19-2**). Then, finish weld the bracket plates and angles.
7. Bolt the finish-welded bracket plates and angles back in position on the bottom of the main frame housing and truck frame (**FIG. 19-2**).



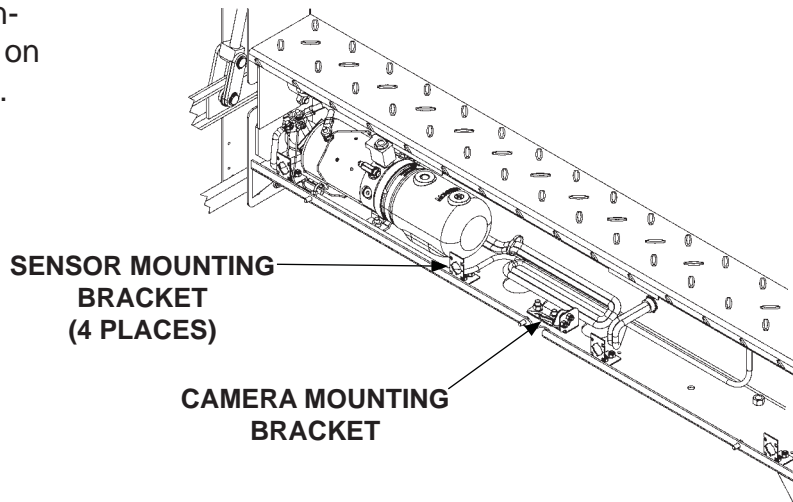
REMOVING BRACKET PLATES FROM MAIN FRAME HOUSING (C2 SHOWN) FIG. 19-1



FABRICATING LOWER BRACKETS TO SUPPORT LIFTGATE (C2 SHOWN) FIG. 19-2

INSTALLING CAMERA AND SENSORS (IF EQUIPPED)

1. Note camera mounting and sensor mounting bracket locations on mainframe housing (**FIG. 20-1**).



CAMERA AND SENSOR BRACKET LOCATION
FIG. 20-1

2. Attach OEM camera to camera mounting bracket with camera back bracket and plastic ties (Kit items) (**FIGS. 20-2 & 20-2A**). Connect OEM camera harness to camera.

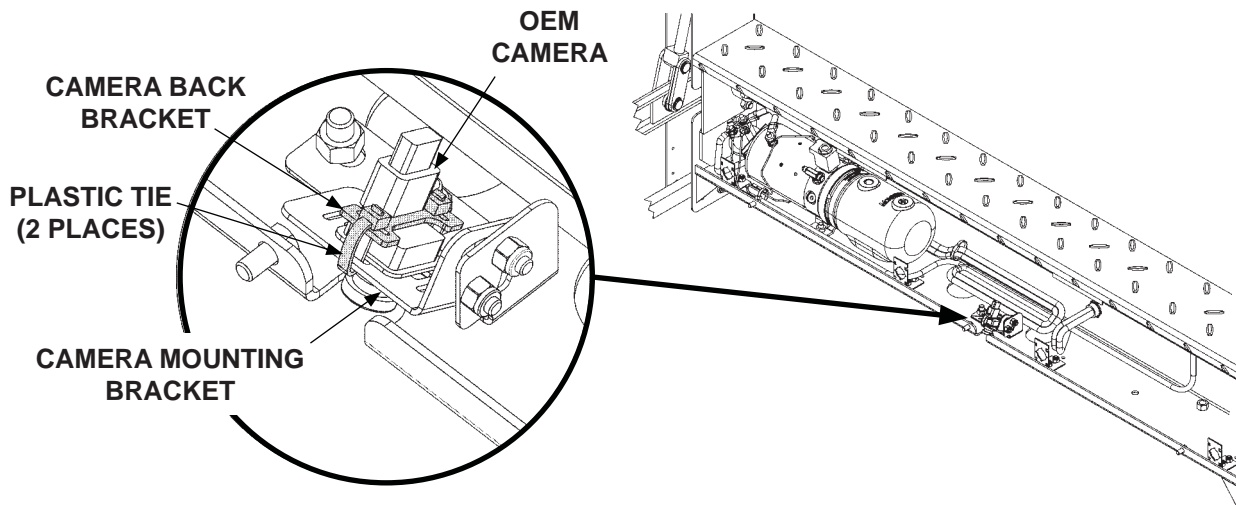
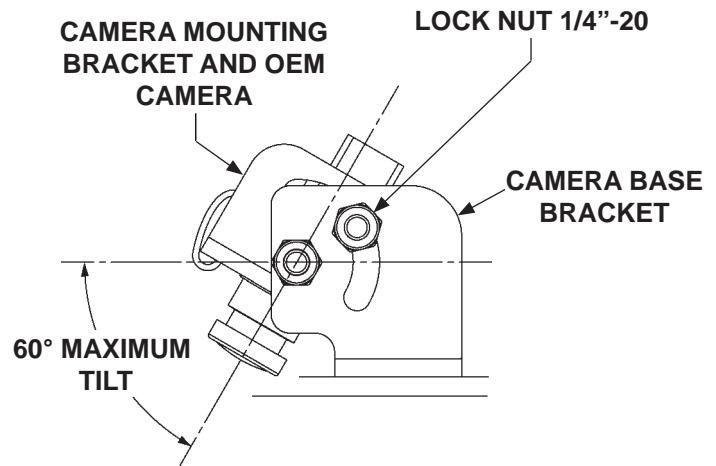


FIG. 20-2A

ATTACHING CAMERA TO MOUNTING BRACKET
FIG. 20-2

INSTALLING CAMERA AND SENSORS (IF EQUIPPED) - Continued

- Adjust camera angle by loosening 1/4" hex bolt and lock nut. Then rotate camera mounting bracket to correct angle as shown in **FIG. 21-1**. Tighten hex bolt and lock nut when desired camera angle is set.



ADJUSTING CAMERA ANGLE
FIG. 21-1

- Install each of the OEM sensors (if equipped) into 4 brackets as shown in **FIGS. 21-2 & 21-2A**.
- Use plastic ties (Kit item) to secure sensors to mounting brackets as shown in **FIG. 21-2A**.
- Connect OEM sensor harness on the vehicle to all sensors.

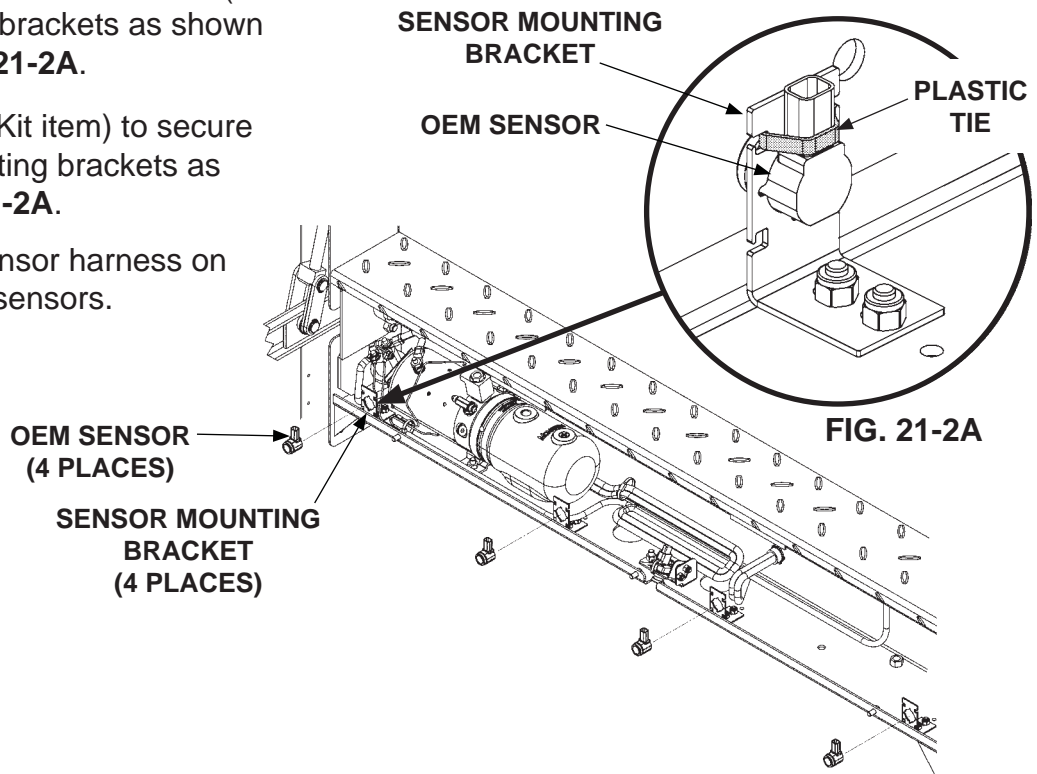
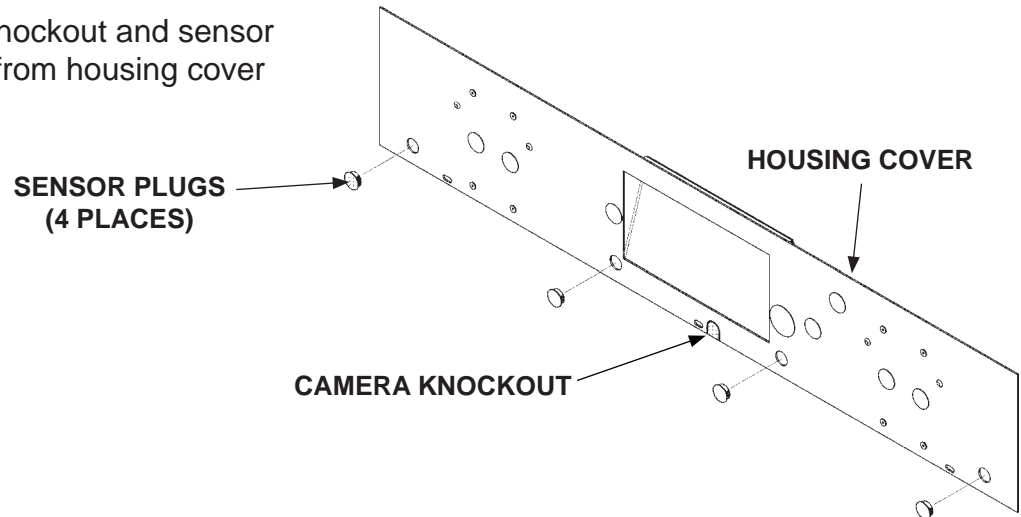


FIG. 21-2A

INSTALLING SENSORS (IF EQUIPPED)
FIG. 21-2

INSTALLING CAMERA AND SENSORS (IF EQUIPPED) - Continued

7. Remove camera knockout and sensor plugs (if required) from housing cover (FIG. 22-1).



**REMOVING HOUSING COVER SENSOR PLUGS
AND CAMERA KNOCKOUT
FIG. 22-1**

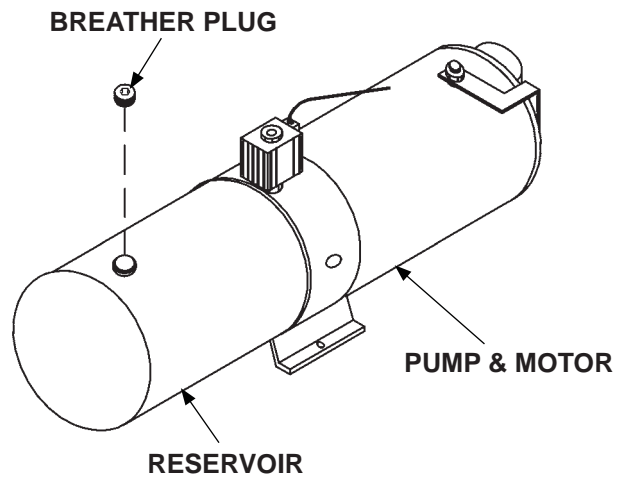
8. Reconnect ground (-) battery cable to vehicle battery.

COMPLETE LIFTGATE INSTALLATION

CAUTION

Hydraulic system is filled at the factory with correct amount of oil. It is unnecessary to add more oil except as required for periodic maintenance of the liftgate.

1. Remove the solid plug from the pump reservoir (**FIG. 23-1**). Install breather plug (Kit item) in pump reservoir.



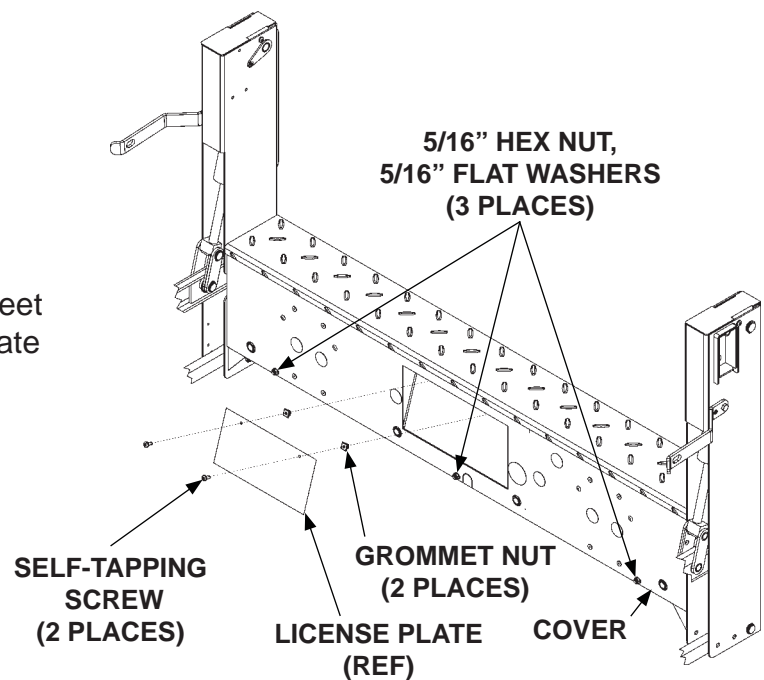
**INSTALLING VENT PLUG ON
PUMP RESERVOIR
FIG. 23-1**

2. Bolt on main frame cover (**FIG. 23-2**).

3. Install the two square plastic grommet nuts (Kit item), for the license plate, into the square holes on the Liftgate main frame cover (**FIG. 23-2**).

4. Install the license plate using two 1/4"-20 self-tapping screws (Kit item) (**FIG. 23-2**).

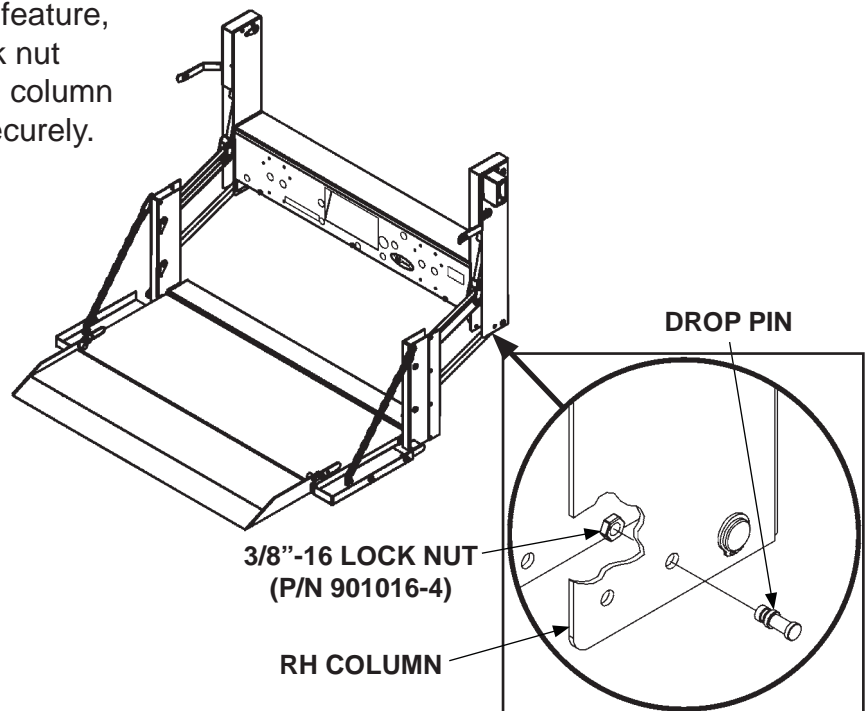
5. Install the license plate lights into the holes provided. Refer to instruction sheet **M-14-35**. Then, connect the license plate lights to the vehicle's wiring.



**INSTALLING COVER & LICENSE PLATE
(C2 LIFTGATE SHOWN)
FIG. 23-2**

COMPLETE LIFTGATE INSTALLATION - Continued

- To use the drop-away platform feature, install drop pin and 3/8"-16 lock nut (Kit items) on the bottom of RH column (**FIG. 24-1**). Tighten lock nut securely.



**INSTALLING DROP PIN ON
RH COLUMN (C2 LIFTGATE SHOWN)
FIG. 24-1**

- Install the 3/8" round plastic plugs into the empty holes in the bottom of the columns.
- If previously removed, reinstall spare tire.

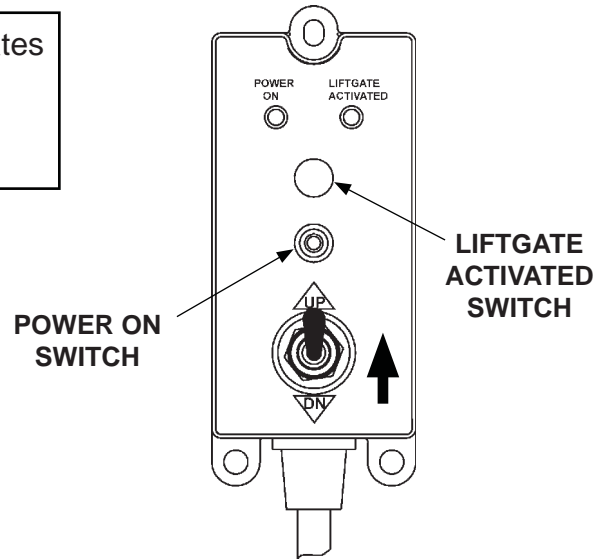
TEST OPERATION OF LIFTGATE

! WARNING

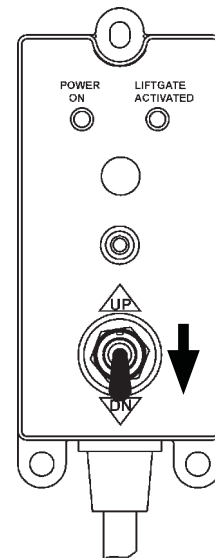
Keep all foreign objects out of the Liftgate mainframe and away from pinch points at all times when operating Liftgate.

NOTE: The **LIFTGATE ACTIVATED** LED illuminates when Liftgate power is on. Control switch should deactivate after 90 seconds of not being used.

1. Check operation of control switch for proper operation by pressing **POWER ON** button once to activate. Next, press **POWER ON** button again to deactivate Liftgate power. Then, press the **POWER ON** button twice to reset low voltage (**FIG. 25-1**).
2. Press the **LIFTGATE ACTIVATED** switch within 1 second to activate the timer (**FIG. 25-1**).
3. Raise (**UP**) and lower (**DN**) the unloaded platform (**FIGS. 25-1** and **25-2**) on a flat surface. Check for proper operating speed and alignment with the ground.
4. Load the platform with the rated capacity and measure the time to **RAISE** the platform (**FIG. 25-1**). The platform should raise approximately 2" to 3" per second.
5. Examine platform for drift-down. If you experience platform drift-down, remove vent plug from pump reservoir. Check and clean any debris from vent plug. Then, reinstall vent plug.
6. Measure the time to **LOWER** the platform still loaded (**FIG. 25-2**). The load should descend approximately 7" to 9" per second.
7. Remove the load from the platform and examine the Liftgate and vehicle for hydraulic oil leaks, loose wiring, and any other problems.
8. Reinstall the main frame housing cover. Then, close and latch platform.



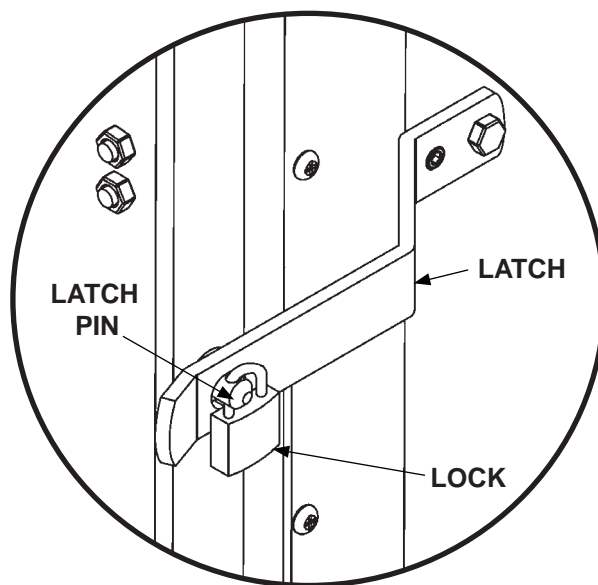
**CHECKING OPERATION OF CONTROL SWITCH AND RAISING PLATFORM
FIG. 25-1**



**USING CONTROL SWITCH TO LOWER PLATFORM
FIG. 25-2**

TEST OPERATION OF LIFTGATE - Continued

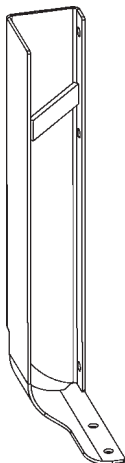
9. Lock the latch on LH side or RH side through the hole in the latch pin (**FIG. 26-1**).



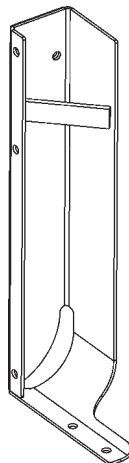
**LOCKING PLATFORM
(C2 LIFTGATE)
FIG. 26-1**

INSTRUCCIONES PARA EL KIT DE INSTALACIÓN PARA FORD SUPER DUTY (ELEVADORES C2 PARA CAMIONETA)

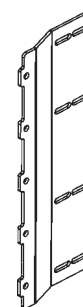
CAMIONETA FORD SUPER DUTY F-250, F-350 Y F-450, 2017- PRESENTE
KIT N/P 297890-01G (T-285)



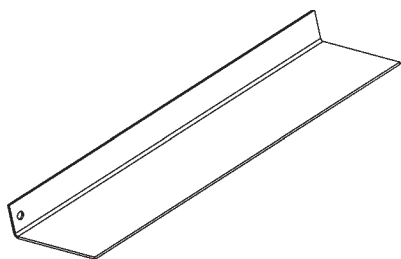
**SOPORTE DE MONTAJE
IZQUIERDO
N/P 297885-01G
CANT. 1**



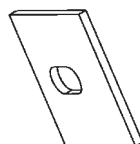
**SOPORTE DE MONTAJE
DERECHO
N/P 297885-02G
CANT. 1**



**SOPORTE DE MONTAJE
DEL BASTIDOR PRINCIPAL
N/P 297887-01G
CANT. 2**



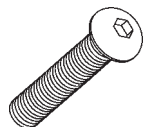
**PLACA DE RELLENO 19-1/2'
[5.9 m] DE LARGO
N/P 297888-02
CANT. 3**



**SEPARADOR 1/8"
X 2" X 2"
N/P 295991-01
CANT. 6**



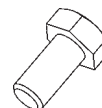
**CINTA DE VINILO
PARA PROTECCIÓN
(2" [5 cm] ANCHO X
144" [3.6 m] DE LARGO)
N/P 297838-01
CANT. 1**

KIT DE TORNILLERÍA N/P 289488-01

**TORNILLO
CABEZA DE BOTÓN
3/8"- 16 X 1" LG.
N/P 900064-05
CANT. 8**



**TORNILLO CON CABEZA
TRONCOCÓNICA
#10-24 X 3/4" LG.
N/P 900753-07
CANT. 8**



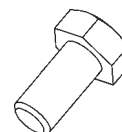
**TORNILLO CON CABEZA
HEXAGONAL
3/16"-16 X 1" LG, GRADO 5
N/P 900778-02
CANT. 12**



**ARANDELA DE PRESIÓN 3/8"
N/P 902011-4
CANT. 20**



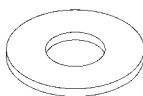
**ARANDELA
DE PRESIÓN 1/2"
N/P 902011-6
CANT. 6**



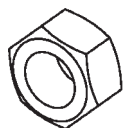
**TORNILLO CON CABEZA
HEXAGONAL 1/2"- 13 X
1-1/4" LG, GRADO 5
N/P 900781-02
CANT. 6**



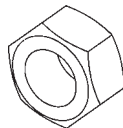
**ARANDELA PLANA 3/8"
N/P 902001-2
CANT. 6**



**ARANDELA PLANA
D.E. 1-3/8", 1/2"
N/P 902014
CANT. 4**

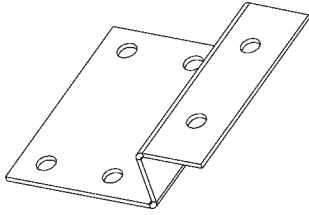


**TUERCA HEX 3/8"-16
N/P 903161-05
CANT. 20**



**TUERCA DE SEGURIDAD 1/2"-13
N/P 040066
CANT. 4**

KIT DE MONTAJE PARA DISYUNTOR N/P 295999-01G (014196)



**SOPORTE DE DISYUNTOR
N/P 295998-02
CANT. 1**



**TORNILLO CON CABEZA HEXAGONAL
AUTOPERFORANTE #12 X 3/4" DE LARGO
N/P 900045-1
CANT. 2**



**TORNILLO DE CABEZA
TRONCOCÓNICA
1/4"-20 X 3/4" LG.
N/P 900002-1
CANT. 2**



**TUERCA 1/4"-20
N/P 903163-01
CANT. 2**

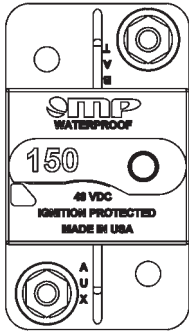
KIT DE TORNILLERÍA (EN BOLSA), N/P 297891-01 (13180)



**TORNILLO CON CABEZA HEXAGONAL
AUTOPERFORANTE #12 X 3/4" DE LARGO
N/P 900045-1
CANT. 12**

NOTA: Los Elevadores C2 se envían con los siguientes kits de partes para instalar el Elevador. Las partes se guardan en la carcasa del bastidor principal.

KIT DE MANUALES Y PARTES PEQUEÑAS PARA C2 N/P 289484-02



**DISYUNTOR
150 A
N/P 907207-02
CANT. 1**



**LUZ
DE MATRÍCULA
N/P 907210-01
CANT. 1**



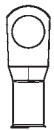
**CANDADO
(2 LLAVES)
N/P 908221-01
CANT. 1**

**INSTALACIÓN
DE LUCES
PARA MATRÍCULA
M-14-35**

**MANUAL
DE OPERACIÓN
PARA C2
MS-14-36**



**TAPÓN
DE NAILON 1/2"
N/P 908081-01
CANT. 5**



**TERMINAL
DE COBRE 3/8"
CALIBRE 4
N/P 907278-01
CANT. 4**



**CONECTOR
DE PUNTAS
14-16 CALIBRE
N/P 030491
CANT. 2**



**TORNILLO
AUTORROSCANTE
1/4"-20 X 5/8"
DE LARGO
N/P 900705-02
CANT. 2**



**TORNILLO
CON CABEZA
TRONCOCÓNICA
#10-24 X 3/4" DE LARGO
N/P 900007-6
CANT. 2**



**PASADOR
PARA CADENA
N/P 289483-01
CANT. 1**



**TAPÓN RESPIRADERO 3/8"
ROSCA AMERICANA CÓNICA
PARA TUBERÍA
N/P 295049
CANT. 1**



**TUERCA DE OJAL
DE CAUCHO 1/4"
N/P 901015-03
CANT. 2**

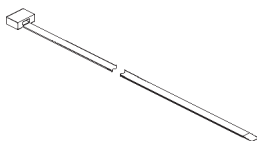


**TUERCA #10-24
N/P 903163-02
CANT. 2**

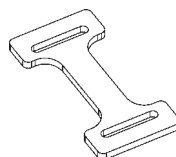


**TUERCA
DE SEGURIDAD
3/8"-16
N/P 901016-4
CANT. 1**

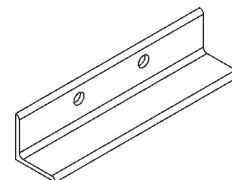
PERFIL DE MONTAJE INFERIOR



**CINTILLO DE PLÁSTICO
N/P 205780
CANT. 8**



**SOPORTE PARA CÁMARA POSTERIOR
N/P 298514-01
CANT. 1**



**PERFIL DE ENVÍO
N/P 289543-02
CANT. 2**

NOTA: El instalador es el responsable de asegurarse que el vehículo cumpla con las leyes y estándares Federales, Estatales y Locales.

FIRMEZA DE LA CARROCERÍA

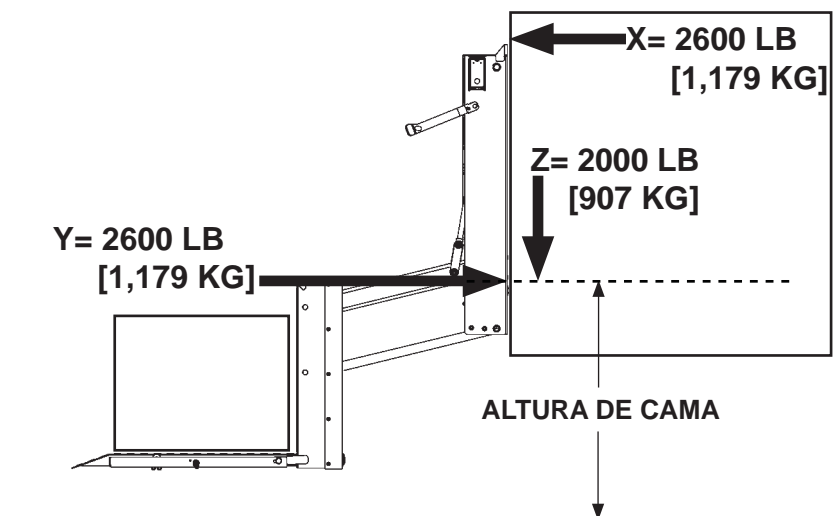
⚠ ADVERTENCIA

Consulte la firmeza de la carrocería de su vehículo con el fabricante de la carrocería. Asegúrese de que las fuerzas creadas por el Elevador están dentro de los límites prescritos por el fabricante de la carrocería.

NOTA: La altura máxima de cama para una correcta operación del **C2** montado en la carrocería de una camioneta es de **42" [106.6 cm] (Sin carga)**. La altura mínima de cama es de **28" [71.1 cm] (Con carga)**.

El **C2** es un elevador montado en la carrocería que aplica fuerzas en las paredes laterales de la carrocería (**FIG. 31-1**). Para una correcta instalación, la carrocería de los camiones debe ser lo suficientemente fuerte para soportar la fuerzas de tensión, compresión y contrafuerza que se muestran en la **FIG. 31-1**.

X= Tensión en cada pared lateral
Y= Compresión en cada pared lateral
Z= Contrafuerza en cada pared lateral



SE MUESTRA ELEVADOR C2
EN CARROCERÍA DE CAMIONETA
FIG. 31-1

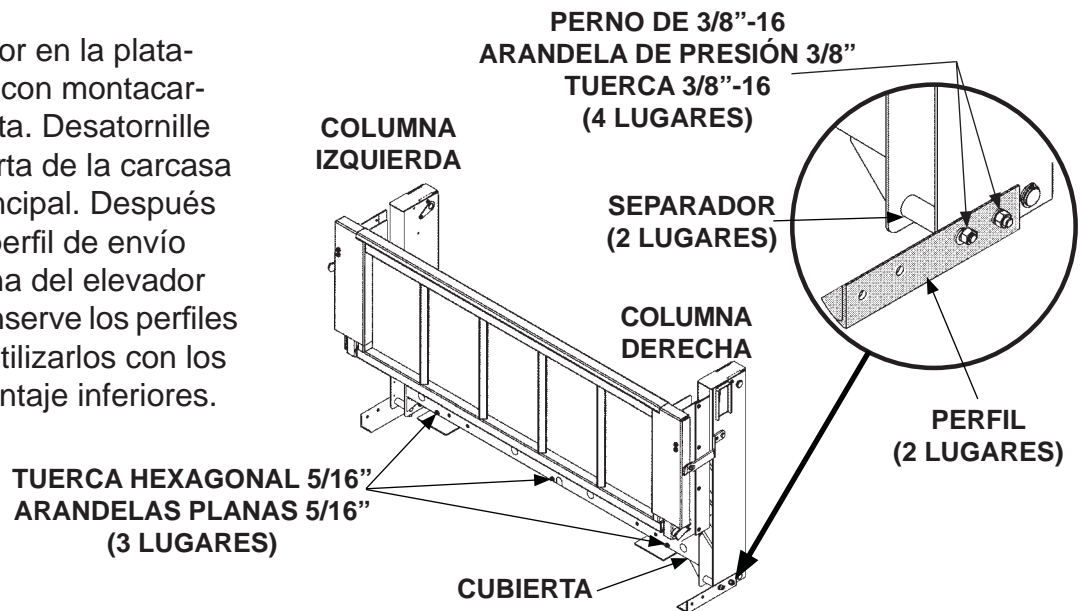
PREPARAR EL ELEVADOR

1. Retire los kits de montaje enviados con el elevador. Consulte de las **Hojas 27 a la 30**. Verifique que los soportes de montaje sean los soportes correctos para esta instalación.

⚠ PRECAUCIÓN

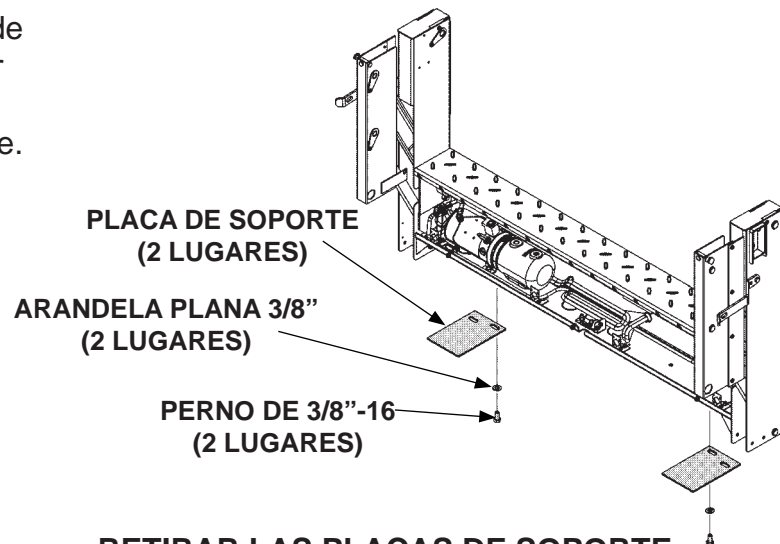
Sin los ángulos de envío, el elevador no se mantendrá en pie. Antes de retirar los perfiles, asegure que el elevador esté apoyado con un montacargas o una transpaleta manual. Si el elevador se cae, puede ocasionar lesiones y daños a la propiedad.

2. Apoye el elevador en la plataforma de envío con montacargas o transpaleta. Desatornille y retire la cubierta de la carcasa del bastidor principal. Después desatornille el perfil de envío en cada columna del elevador (**FIG. 32-1**). Conserve los perfiles de envío para utilizarlos con los soportes de montaje inferiores.



RETIRAR LOS PERFILES DE ENVÍO
FIG. 32-1

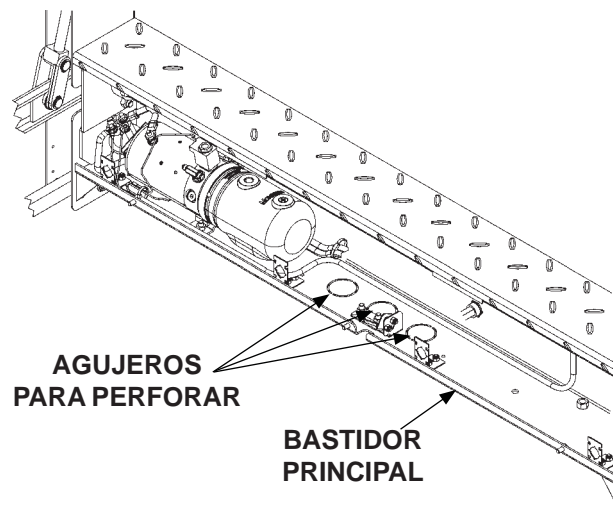
3. Desatornille las placas de soporte de la base de la carcasa en el bastidor principal (**FIG. 32-2**). Conserve las placas para los soportes de montaje.



RETIRAR LAS PLACAS DE SOPORTE
(LA PLATAFORMA NO SE MUESTRA)
FIG. 32-2

PREPARAR EL ELEVADOR - Cont.**RETIRAR AGUJEROS PARA PERFORAR**

Verifique cuáles agujeros para perforar se deben retirar de la base en la carcasa del bastidor principal (**FIG. 33-1**). Después, retire los agujeros como sea necesario.

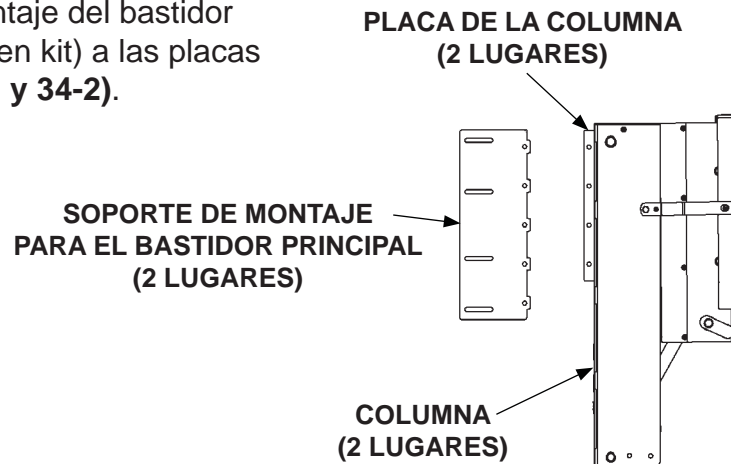


**RETIRAR LOS AGUJEROS PARA PERFORAR
EN LA CARCASA DEL BASTIDOR PRINCIPAL
FIG. 33-1**

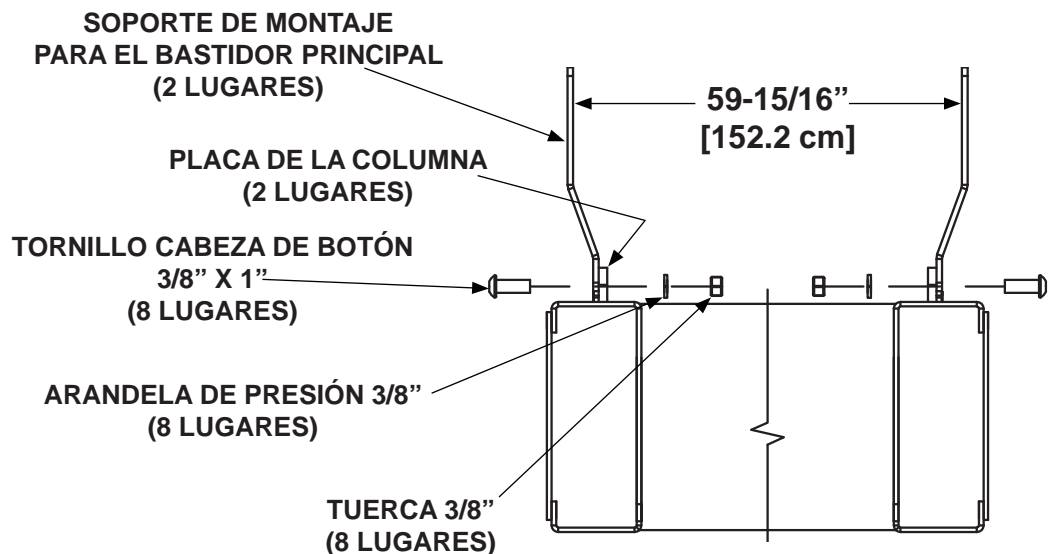
ATORNILLAR LOS SOPORTES EN EL BASTIDOR PRINCIPAL

NOTA: El agujero extra en los soportes de montaje del bastidor principal siempre está por debajo de la tira de 1/4" X 1" [6 mm x 25 mm].

Atornille los soportes de montaje del bastidor principal (artículos incluidos en kit) a las placas de las columnas (**FIGS. 34-1 y 34-2**).



SE MUESTRA ELEVADOR C2
CON SOPORTES ATORNILLABLES
PARA BASTIDOR PRINCIPAL
FIG. 34-1

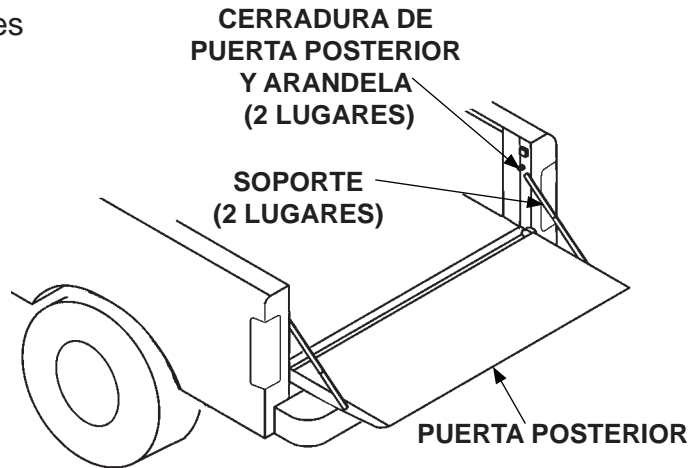


ATORNILLAR LOS SOPORTES DE MONTAJE PARA BASTIDOR
PRINCIPAL A LAS COLUMNAS DEL ELEVADOR C2
(VISTA SUPERIOR)
FIG. 34-2

PREPARAR LA CAMIONETA

NOTA: Conserve el OEM del enganche de remolque en el camión. No es necesario retirarlo. El elevador se puede instalar de 4" a 5" [10 a 12.7 cm] lejos de la cama de la camioneta para permitir suficiente espacio para el enganche.

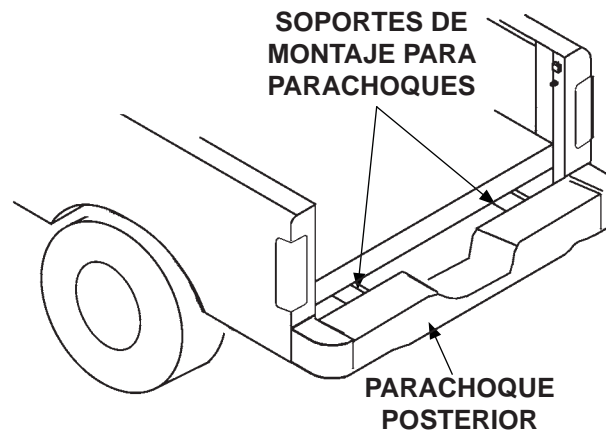
1. Desatornille la puerta posterior y soportes (FIG. 35-1).



RETIRAR PUERTA POSTERIOR Y SOPORTES
FIG. 35-1

2. Retire las cerraduras de la puerta posterior y cualquier otra herramienta en la cama de la camioneta (FIG. 35-1).

3. Apoye el parachoques posterior (FIG. 35-2) antes de desatornillar los soportes del parachoques.



RETIRAR PARACHOQUES POSTERIOR
FIG. 35-2

NOTA: Cuando el elevador esté instalado, la puerta posterior de la camioneta y el parachoques posterior no podrán reinstalarse.

4. Desatornille y retire el parachoques posterior y los soportes del parachoques (FIG. 35-2).

PREPARAR LA CAMIONETA - MONTAJE DE LUZ POSTERIOR

NOTA: No es necesario cambiar la tornillería OEM de las luces posteriores. Los tornillos de montaje de las luces posteriores se pueden retirar con una llave de 8 mm después de instalar el elevador.

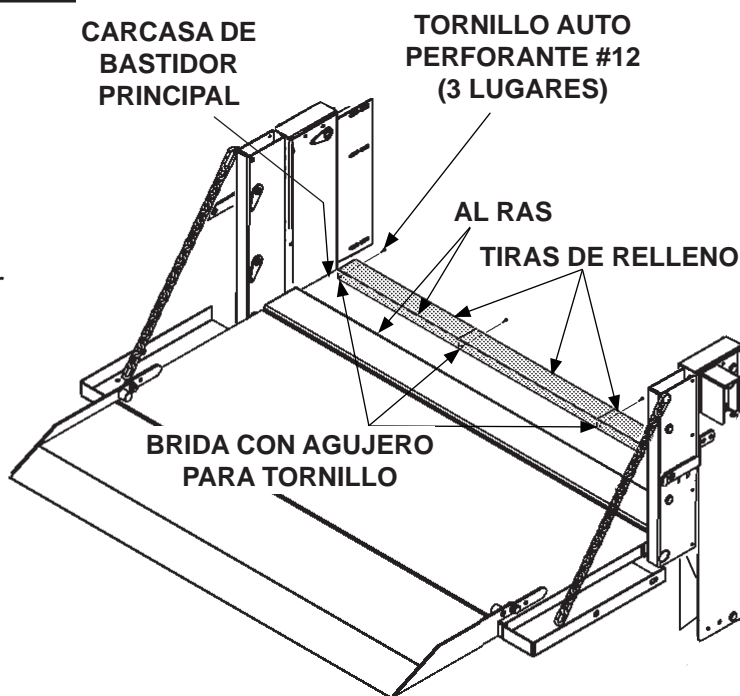
INSTALAR LA TIRA DE RELLENO

NOTA: La tira de relleno dentro del kit llenará el espacio entre el elevador hidráulico y la cama de la camioneta. Es importante ajustar las tiras de relleno al elevador antes de instalar el elevador en el camión.

1. Junte los extremos de las 3 tiras de relleno para hacer una sola tira larga en el extremo posterior encima de la carcasa del bastidor principal (**FIG. 36-1**). Posicione cada tira de manera que la brida corta y el agujero para el tornillo esté al ras con la parte posterior de la carcasa (**FIG. 36-1**). Asegure que la parte de arriba de la tira de relleno esté al ras con la parte de arriba de la carcasa.

PRECAUCIÓN

Antes de taladrar los agujeros en la carcasa del bastidor principal, asegure que no haya obstrucciones en la broca del taladro u artículos que pudieran dañarse por la broca.



COLOCAR LAS TIRAS DE RELLENO
FIG. 36-1

2. Utilice cada tira de relleno como plantilla para marcar y taladrar el agujero en la parte posterior de la carcasa en el bastidor principal (**FIG. 36-1**).
3. Ajuste cada tira de relleno al bastidor principal con un tornillo autoperforante #12 x 3/4" de largo (en la bolsa de los pernos) (**FIG. 36-1**).

INSTALAR EL ELEVADOR

PRECAUCIÓN

La corrosión de galvanizado puede ocurrir si las tiras de relleno y los soportes están en contacto con la carrocería de aluminio del camión. Utilice la cinta de vinilo en este kit para separar las tiras de relleno y los soportes de la carrocería.

NOTA: Pegue ambos soportes con la cinta antes de atornillar al vehículo.

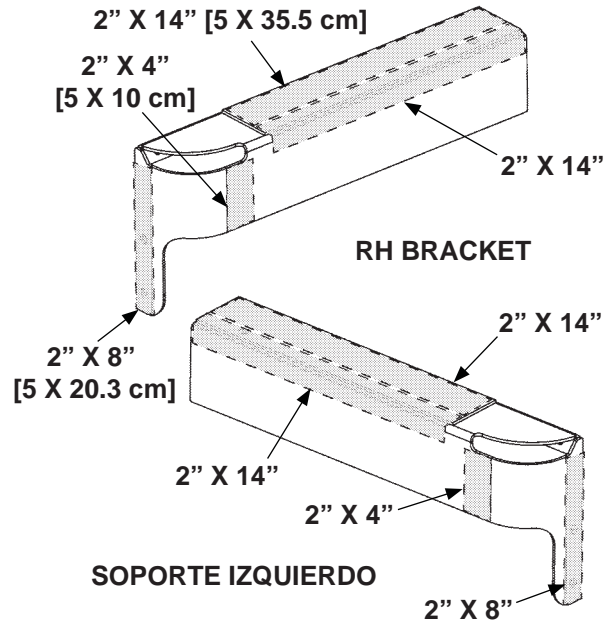
1. Coloque tiras de cinta eléctrica (art. de kit) en ambos soportes de montaje como se muestra en la **FIG. 37-1**. Después, coloque tiras de cinta eléctrica (19-1/2" de largo [49 cm]) debajo de las tiras en la carcasa del bastidor principal (**FIG. 10-1**).

NOTA: Los agujeros en los soportes de montaje se marcan y taladran hasta que el elevador esté en la posición correcta en la cama de la camioneta.

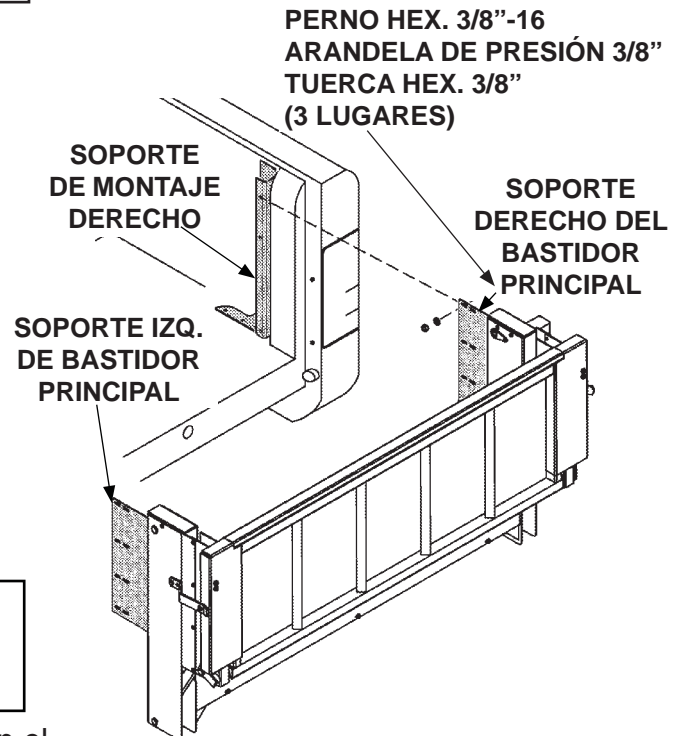
2. Posicione ambos soportes de montaje (arts. de kit) en la cama de la camioneta enfrente de los postes esquineros (**FIG. 37-2**).
3. Posicione el elevador en la apertura posterior de la cama de la camioneta (**FIG. 37-2**).
 - El elevador centrado en la apertura posterior en la cama de la camioneta
 - Columnas verticales
 - El agujero de acceso para el neumático de repuesto esté alineado con el tubo en el neumático de repuesto de la camioneta
 - Parte de arriba del bastidor principal y tira al ras con el piso de la cama de camioneta

NOTA: Asegure que las tuercas y arandelas de presión estén en el interior de los soportes de montaje.

4. Atornille los soportes del bastidor principal en el elevador, a los soportes de montaje derechos, como se muestra en la **FIG. 37-2**. Apriete manualmente los pernos y tuercas. Repita en el soporte izq.



COLOCAR LA CINTA EN LOS SOPORTES DE MONTAJE
FIG. 37-1



ATORNILLAR EL ELEVADOR AL SOPORTE DE MONTAJE DERECHO
FIG. 37-2

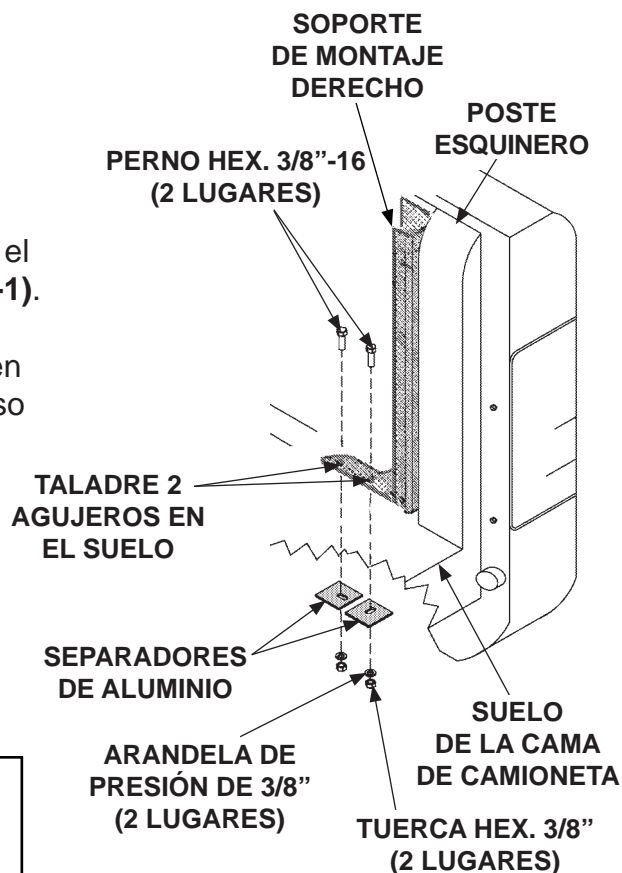
INSTALAR EL ELEVADOR - Cont.

5. Deje que el elevador cuelgue con apoyo de los postes esquineros de la cama del vehículo.

PRECAUCIÓN

Antes de perforar la cama de la camioneta, asegure que no haya obstrucciones o artículos que pudieran resultar dañados.

6. Sostenga el soporte de montaje derecho contra el esquinero de la cama de la camioneta (**FIG. 38-1**). Después, utilice 2 agujeros en el soporte para taladrar 2 agujeros para los pernos de 3/8"-16 en el suelo de la cama (**FIG. 38-1**). Repita este paso para el soporte de montaje izquierdo.



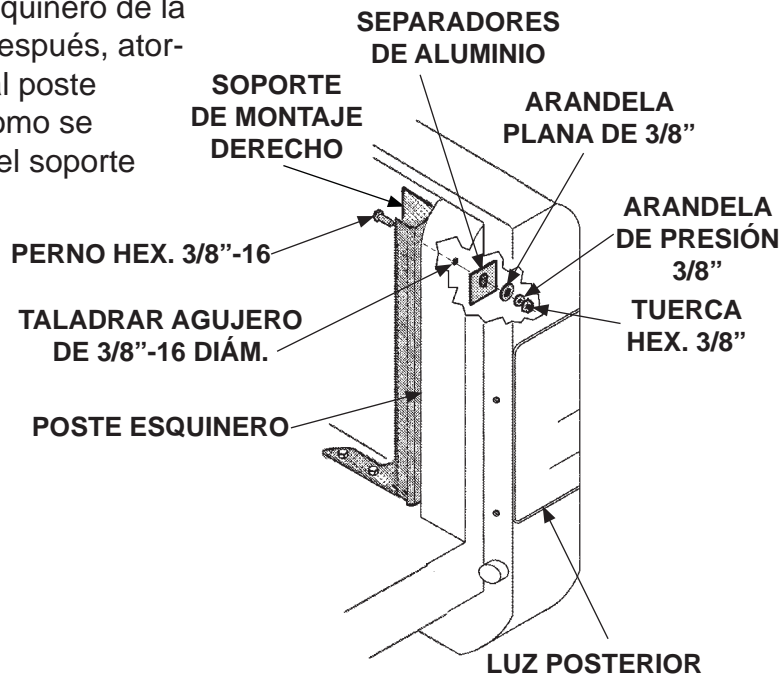
NOTA: Utilice solamente los sujetadores galvanizados para atornillar los soportes de metal en la carrocería de aluminio de la camioneta, y los sujetadores de aluminio que se brindan con los kits de soportes y tornillos.

7. Atornille el soporte derecho de montaje en el suelo de la cama como se muestra en la **FIG. 38-1**. Repita con el soporte de montaje izquierdo.

ATORNILLAR EL SOPORTE DE MONTAJE DERECHO A LA CAMA DE LA CAMIONETA (NO SE MUESTRA EL ELEVADOR)
FIG. 38-1

INSTALAR EL ELEVADOR - Cont.

8. Utilice el agujero superior en el soporte de montaje derecho como plantilla para realizar un agujero a través del lado interno en el poste esquinero de la cama de la camioneta (**FIG. 39-1**). Después, atornille el soporte de montaje derecho al poste esquinero de la cama del vehículo como se muestra en la **FIG. 39-1**. Repita con el soporte de montaje izquierdo.



ATORNILLAR EL SOPORTE DE MONTAJE DERECHO A LA CAMA DE LA CAMIONETA (NO SE MUESTRA ELEVADOR)
FIG. 39-1

9. Desenganche y despliegue la plataforma. Consulte el manual de operación si lo necesita. Después, ajuste la posición del elevador para que la plataforma esté nivelada del frente al final.

10. Asegure firmemente los pernos uniendo el soporte de montaje derecho al soporte del bastidor principal (**FIG. 39-1**). Asegure que las arandelas de presión abiertas no estén en los agujeros ranurados en el soporte del bastidor. Repita con el soporte de montaje izquierdo.

11. Reinstale las luces posteriores (**FIG. 39-1**).

REVISAR EL ACCESO AL NEUMÁTICO DE REPUESTO

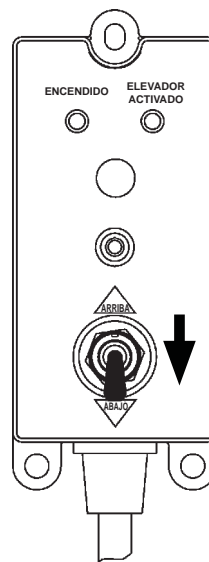
PRECAUCIÓN

No utilice el cargador de batería para conectar la energía a los cables de alimentación del Elevador.

1. Conecte la energía de una batería para camioneta de 12 voltios a los cables de alimentación del Elevador que salen de la parte posterior de la carcasa del bastidor principal.
2. Consulte las instrucciones de operación para desplegar la plataforma y activar el Elevador en el **Manual de Operación para C2**.

NOTA: Con las luces de **ENCENDIDO** y de **ELEVADOR ACTIVADO** encendidas, el Elevador puede ser elevado y descendido. Si no se utiliza el Elevador durante 90 segundos, el control se desactivará automáticamente.

3. Utilice el interruptor para bajar (**ABAJO**) la plataforma al suelo (**FIG. 40-1**).



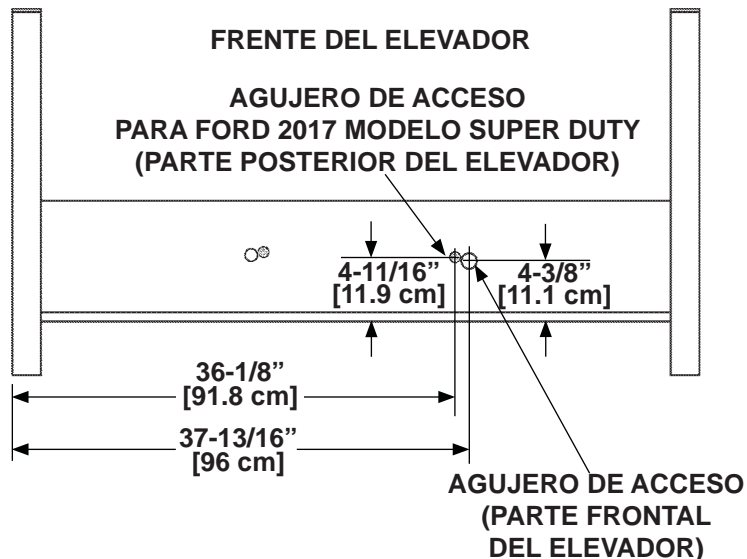
**UTILIZAR EL INTERRUPTOR
PARA DESCENDER EL ELEVADOR
FIG. 40-1**

REVISAR EL ACCESO AL NEUMÁTICO DE REPUESTO - Cont.

COLUMNA IZQ.
(LADO DEL CONDUCTOR)

4. Retire de la cubierta y del bastidor principal los tapones negros de plástico correctos (**FIG. 41-1**).

5. Inserte la manivela del neumático de repuesto a través de los agujeros en el bastidor principal del elevador.

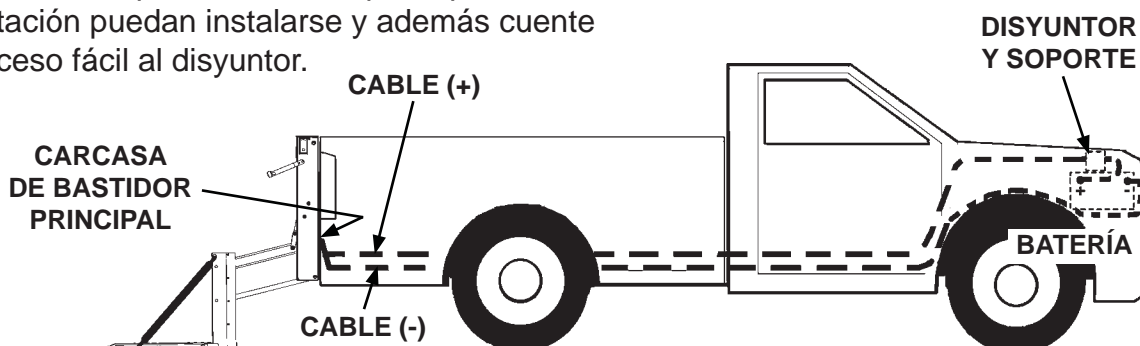


RETIRAR LOS TAPONES DE PLÁSTICOS PARA ACCEDER AL NEUMÁTICO DE REPUESTO, FORD F-150 (2017)
FIG. 41-1

6. Asegúrese que se tenga acceso al neumático de repuesto utilizando la manija.

CANALIZAR LOS CABLES DE ALIMENTACIÓN

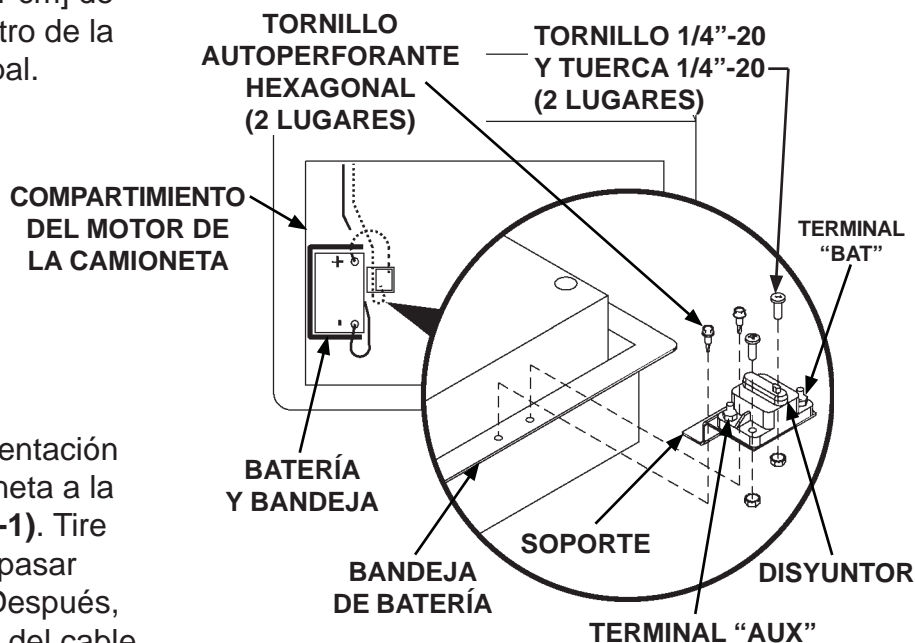
1. Retire el kit de partes pequeñas y manuales de la carcasa del bastidor. Consulte los contenidos de los kits en la **Hoja 30**.
2. Instale el disyuntor y el soporte (artículos incluidos en el kit) (**FIG. 42-1 y 42-2**) en la bandeja de la batería de la camioneta dentro del compartimiento del motor (**FIG. 42-2**). Permita el espacio suficiente para que los cables de alimentación puedan instalarse y además cuente con un acceso fácil al disyuntor.



INSTALAR LOS CABLES DE ALIMENTACIÓN DEL ELEVADOR A LA BATERÍA

FIG. 42-1

3. Tire de los cables de alimentación (+) y (-) a través del prensacables localizado en la parte posterior de la carcasa del bastidor. Deje aprox. 2" [5.1 cm] de soltura para los cables dentro de la carcasa del bastidor principal.



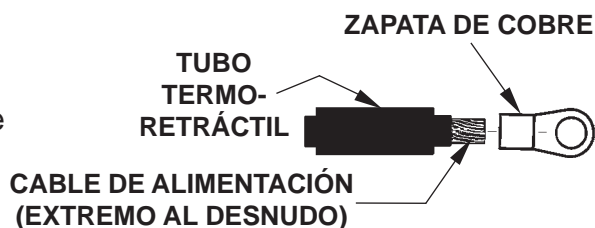
4. Canalice los cables de alimentación por el bastidor de la camioneta a la batería del mismo (**FIG. 42-1**). Tire del cable excedente hasta pasar las terminales de batería. Después, separe el cable positivo (+) del cable negativo (-).

ATORNILLAR EL DISYUNTOR Y EL SOPORTE A LA BANDEJA DE LA BATERÍA (VISTA SUPERIOR)

FIG. 42-2

CANALIZAR LOS CABLES DE ALIMENTACIÓN - Cont.

5. Corte el cable positivo (+) a la longitud necesaria para alcanzar la terminal **AUX** del disyuntor (**FIGS. 42-2 y 43-3**) sin tensar la conexión. Instale la zapata de cobre (incl. en kit) (**FIGS. 43-1 y 43-2**). Después conecte la terminal **AUX** al disyuntor de 150 A (**FIGS. 42-2 y 43-3**).



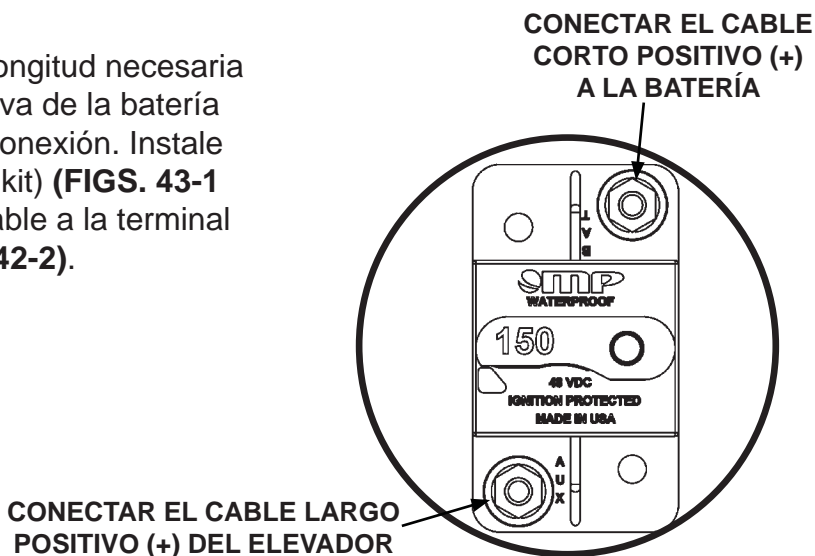
COLOCAR LA ZAPATA DE COBRE Y EL TUBO TERMORETRÁCTIL EN EL CABLE DE ALIMENTACIÓN
FIG. 43-1

6. Corte el cable positivo (+) restante lo suficientemente largo para alcanzar de la terminal **BAT** del disyuntor a la terminal positiva (+) de la batería (**FIGS. 42-2 y 43-3**) sin tensar la conexión. Instale las zapatas de cobre (incluidas en kit) en ambos lados del cable (**FIGS. 43-1 y 43-2**). Después, conecte el cable a la terminal **BAT** en el disyuntor de 150 A (**FIGS. 42-2 y 43-3**) y la terminal positiva (+) en la batería (**FIG. 42-2**).

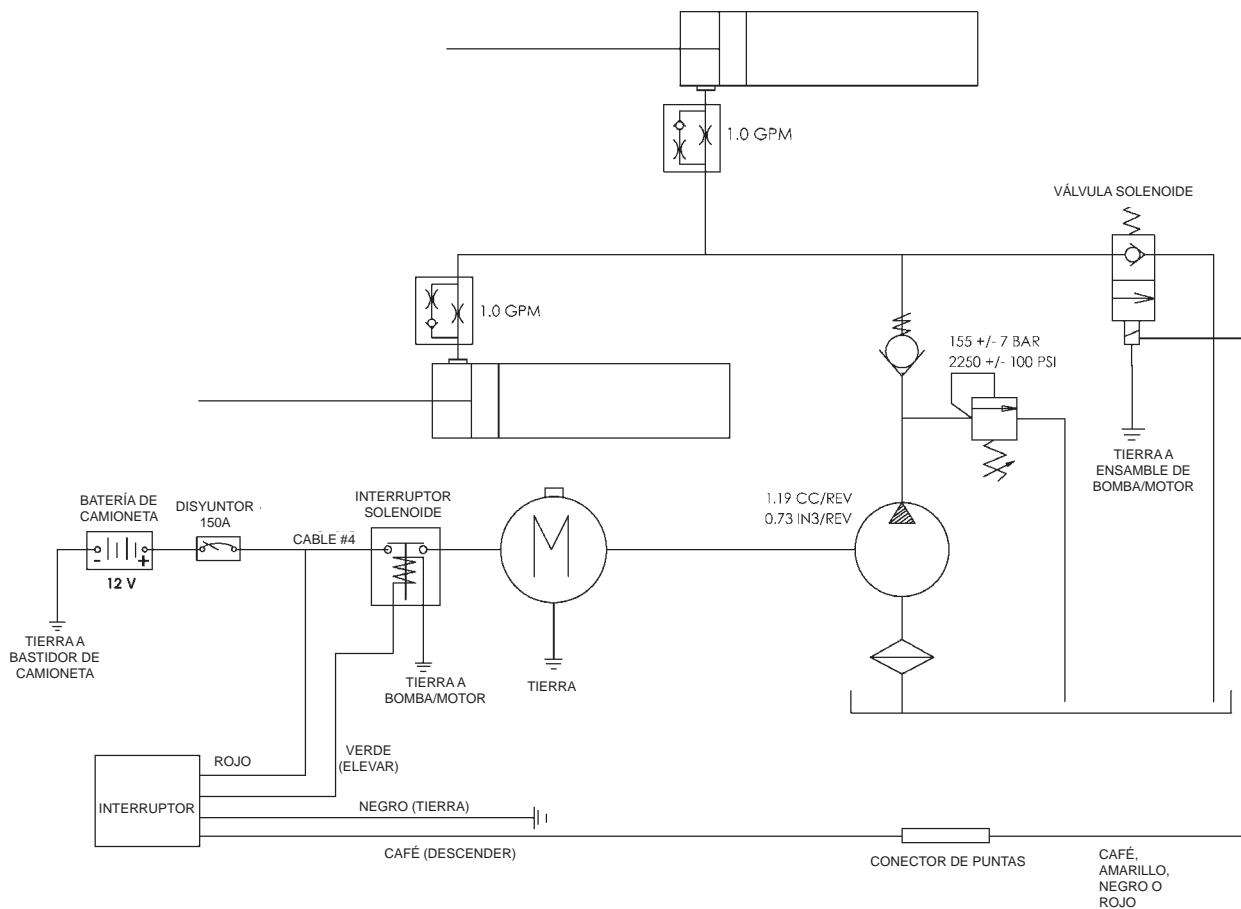


CABLE DE ALIMENTACIÓN TÍPICO CON ZAPATA DE COBRE INSTALADA
FIG. 43-2

7. Corte el cable negativo (-) a la longitud necesaria para alcanzar la terminal negativa de la batería (-) (**FIG. 42-2**) sin tensionar la conexión. Instale la zapata de cobre (art. incl. en kit) (**FIGS. 43-1 y 43-2**). Después, conecte el cable a la terminal negativa (-) en la batería (**FIG. 42-2**).



CONEXIONES DEL CABLE DE ALIMENTACIÓN AL DISYUNTOR DE 150 A
FIG. 43-3



**DIAGRAMA DE SISTEMAS ELÉCTRICOS
E HIDRÁULICOS PARA ELEVADOR C2
FIG. 44-1**

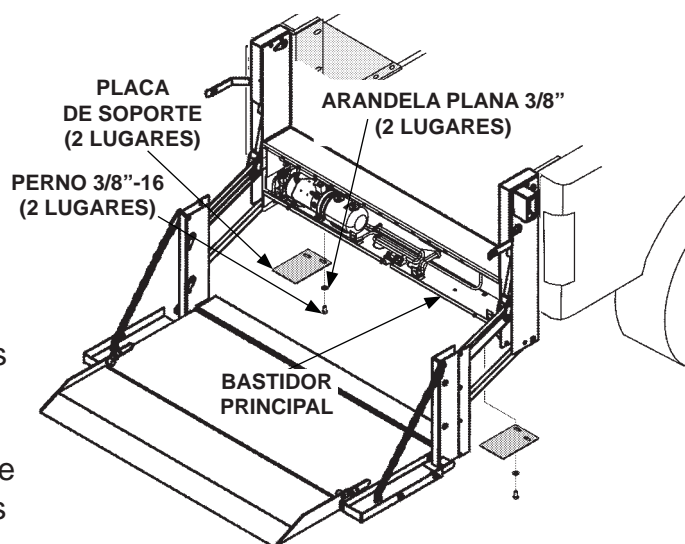
INSTALAR LOS SOPORTES INFERIORES

PRECAUCIÓN

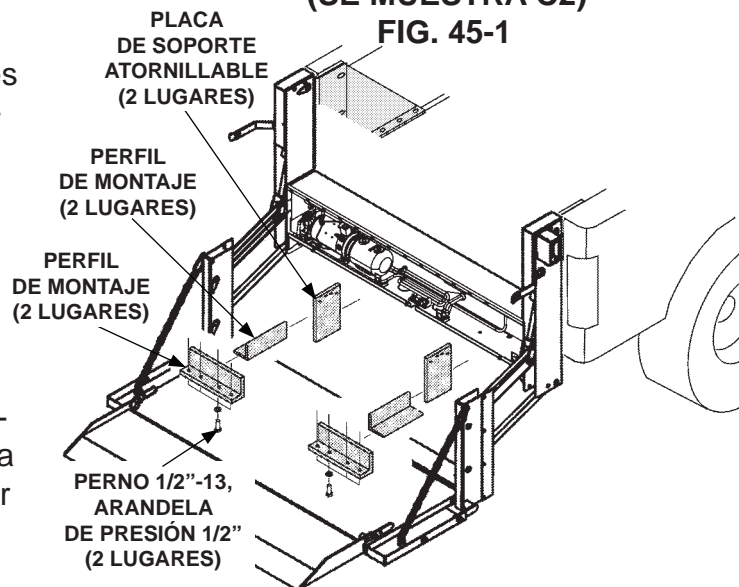
El elevador puede resultar severamente dañado al conectar la soldadora eléctrica al elevador en el lugar equivocado. Para prevenir daños, siempre conecte el cable a tierra directo al componente a soldar y tan cerca como sea posible a la soldadora.

NOTA: Los soportes inferiores son esenciales para que el Elevador se instale correctamente. Se fijan al bastidor de la camioneta y soportan la parte inferior del Elevador.

1. Desatornille las placas de soporte de la parte inferior de la carcasa del bastidor (**FIG. 45-1**).
2. Posicione 2 perfiles atornillables lo más cerca del bastidor de la camioneta en la parte inferior de la carcasa del bastidor principal (**FIG. 45-2**). Después atornille cada perfil al agujero asegurando un ajuste ceñido al bastidor.
3. Coloque 2 placas de soporte (arts. incluidos en kit) sobre el bastidor, en la parte inferior de la carcasa del bastidor principal del Elevador (**FIG. 45-2**). Atornille al bastidor de la camioneta. Si es necesario modifique las placas de soporte para un mejor ajuste.
4. Sujete con abrazaderas 2 perfiles cortos (sin agujeros) (arts. en kit) a las placas de soporte en el bastidor de la camioneta (**FIG. 45-2**). Posicione los 2 perfiles para que alcancen los perfiles atornillados en la parte baja de la carcasa.
5. Con los perfiles y placas de soporte posicionados y sujetos con abrazaderas, una con puntos de soldadura los perfiles y las placas en su lugar (**FIG. 45-2**).
6. Desatornille del bastidor los soportes inferiores unidos con puntos de soldadura (**FIG. 45-2**). Después, termine de soldar las placas de soporte y los perfiles.
7. Atornille las placas de soporte y los perfiles ya soldados de vuelta en su posición al fondo del bastidor y la carcasa en el bastidor principal (**FIG. 45-2**).



RETIRAR LAS PLACAS DE SOPORTE DE LA CARCASA EN EL BASTIDOR (SE MUESTRA C2)

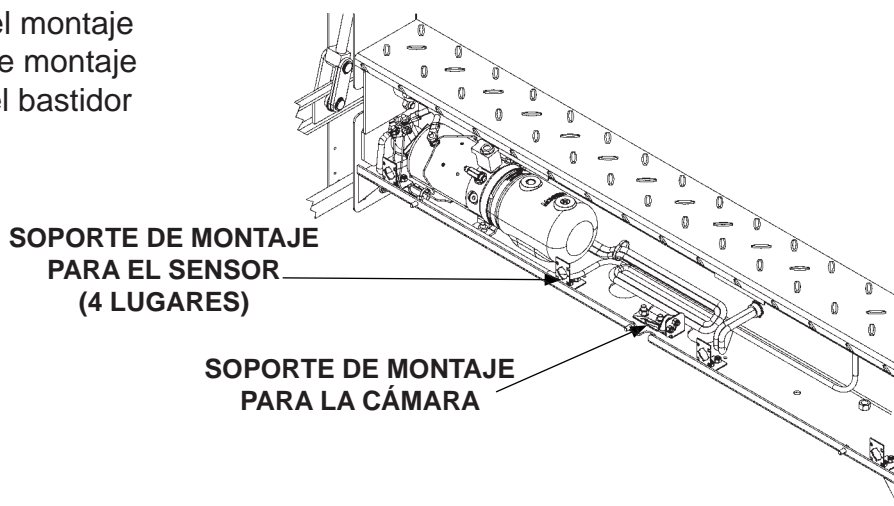


FABRICAR LOS SOPORTES INFERIORES PARA APOYAR AL ELEVADOR (SE MUESTRA C2)

FIG. 45-2

INSTALAR LA CÁMARA Y LOS SENSORES (SI SE EQUIPA)

1. Observe las ubicaciones del montaje de la cámara y el soporte de montaje del sensor en la carcasa del bastidor principal (**FIG. 46-1**).



UBICACIÓN DEL SOPORTE DE LA CÁMARA Y DEL SENSOR
FIG. 46-1

2. Agregue la cámara OEM al soporte de montaje para la cámara con el soporte posterior para cámara y los cintillos de plástico (art. de kit) (**FIGS. 46-2 y 46-2A**). Conecte el arnés de la cámara OEM a la cámara.

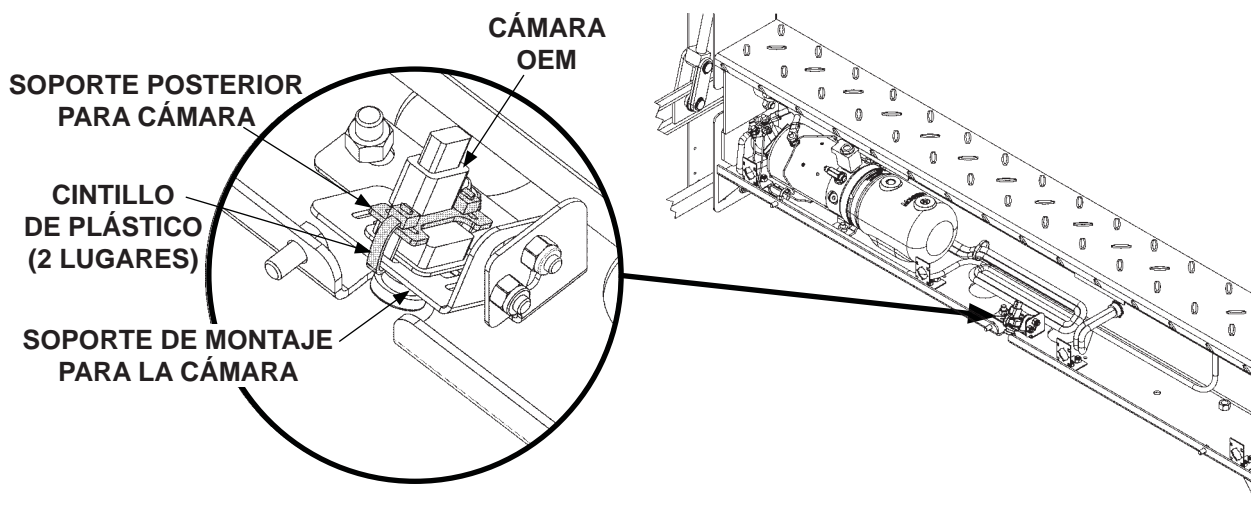
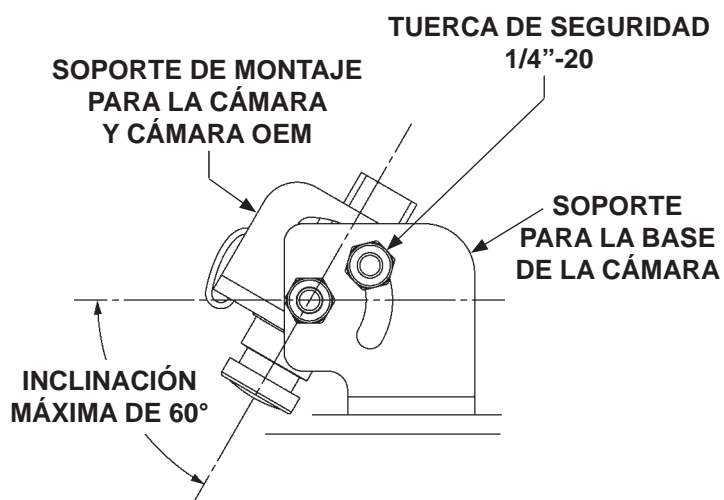


FIG. 46-2A

AGREGAR LA CÁMARA AL SOPORTE DE MONTAJE
FIG. 46-2

INSTALAR LA CÁMARA Y LOS SENSORES (SI SE EQUIPA) - Cont.

- Ajuste el ángulo de la cámara aflojando el perno hexagonal de 1/4" [6 mm] y la tuerca de seguridad. Después rote el soporte de montaje de la cámara para corregir el ángulo, como se muestra en la **FIG. 47-1**. Apriete el perno hex. y la tuerca de seguridad cuando la cámara se coloque en el ángulo deseado.



AJUSTAR EL ÁNGULO DE LA CÁMARA
FIG. 47-1

- Instale cada uno de los sensores de presión OEM (si se equipa) en los 4 soportes, como se muestra en **FIGS. 47-2 y 47-2A**.
- Utilice cintillos de plástico (art. de kit) para asegurar los sensores en los soportes de montaje, tal como se muestra en **FIG. 47-2A**.
- Conecte el arnés del sensor de presión OEM en el vehículo a todos los sensores.

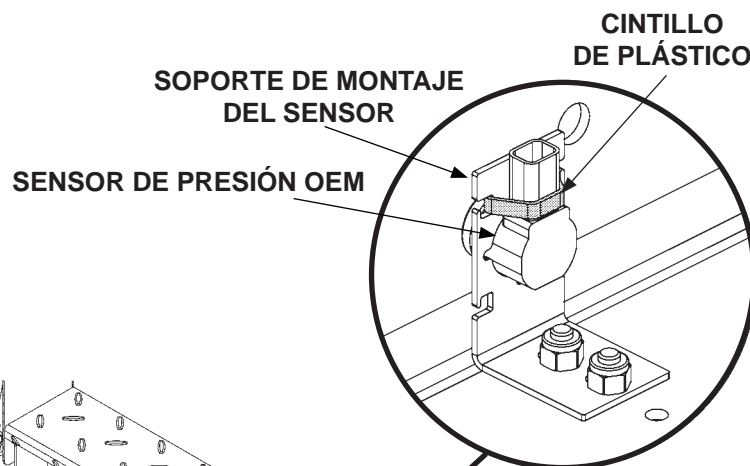
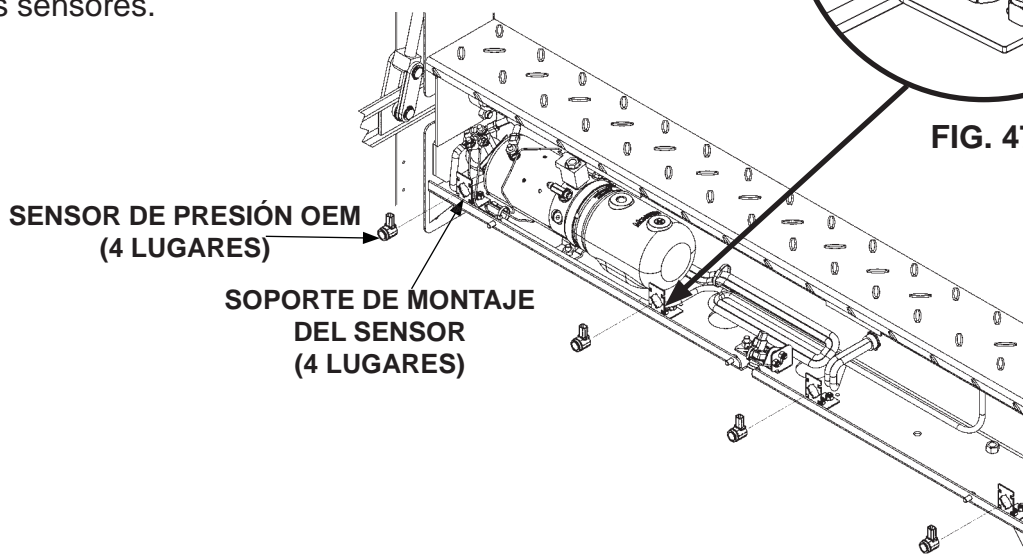


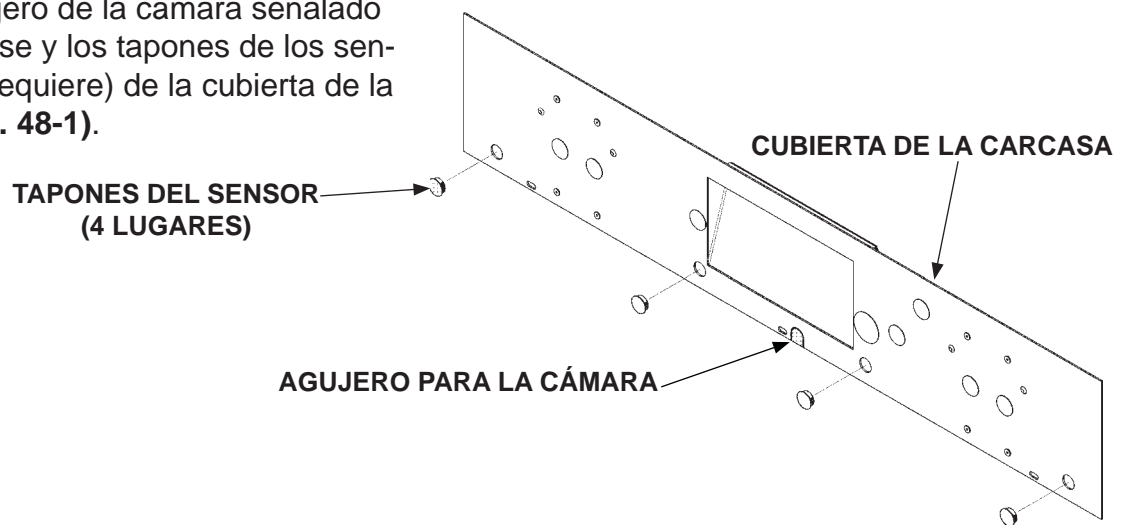
FIG. 47-2A



INSTALAR SENSORES (SI SE EQUIPA)
FIG. 47-2

INSTALAR LA CÁMARA Y LOS SENSORES (SI SE EQUIPA) - Cont.

7. Retire el agujero de la cámara señalado para perforarse y los tapones de los sensores (si se requiere) de la cubierta de la carcasa (**FIG. 48-1**).



**RETIRAR LOS TAPONES DE LOS SENSORES
Y EL AGUJERO PARA LA CÁMARA EN LA CUBIERTA
DE LA CARCASA
FIG. 48-1**

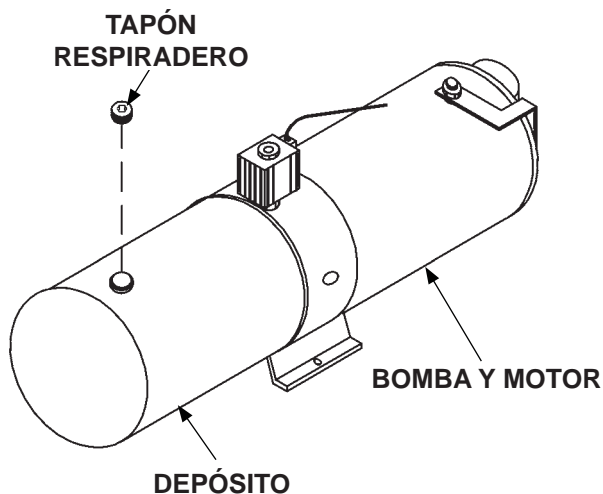
8. Volver a conectar el cable a tierra (-) en la batería del vehículo.

FINALIZAR LA INSTALACIÓN DEL ELEVADOR

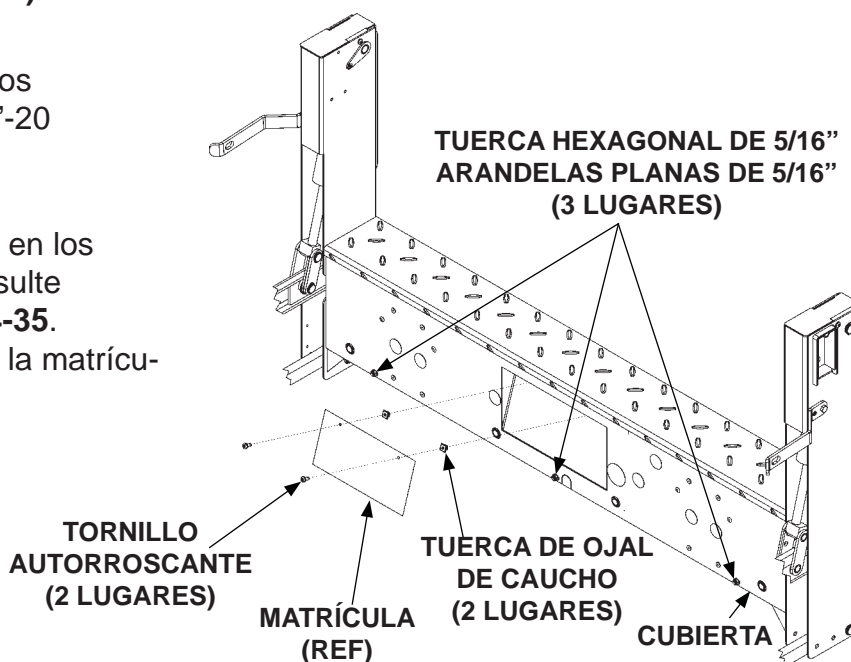
PRECAUCIÓN

El sistema hidráulico se llena en la fábrica con la cantidad correcta de aceite. No es necesario añadir más aceite a menos que se requiera como parte del mantenimiento periódico del Elevador.

1. Retire el tapón sólido del depósito de la bomba (**FIG. 49-1**). Instale el tapón respiradero (incluido en kit) en el depósito de la bomba.
2. Atornille la cubierta del bastidor principal (**FIG. 49-2**).
3. Instale las dos tuercas cuadradas plásticas de ojal (incl. en kit) para la matrícula, en los agujeros cuadrados de la cubierta del bastidor principal del Elevador (**FIG. 49-2**).
4. Instale la matrícula utilizando dos tornillos autorroscantes de 1/4"-20 (incluidos en kit) (**FIG. 49-2**).
5. Instale las luces para matrícula en los agujeros proporcionados. Consulte la hoja de instrucciones **MS-14-35**. Después, conecte las luces de la matrícula al cableado del vehículo.



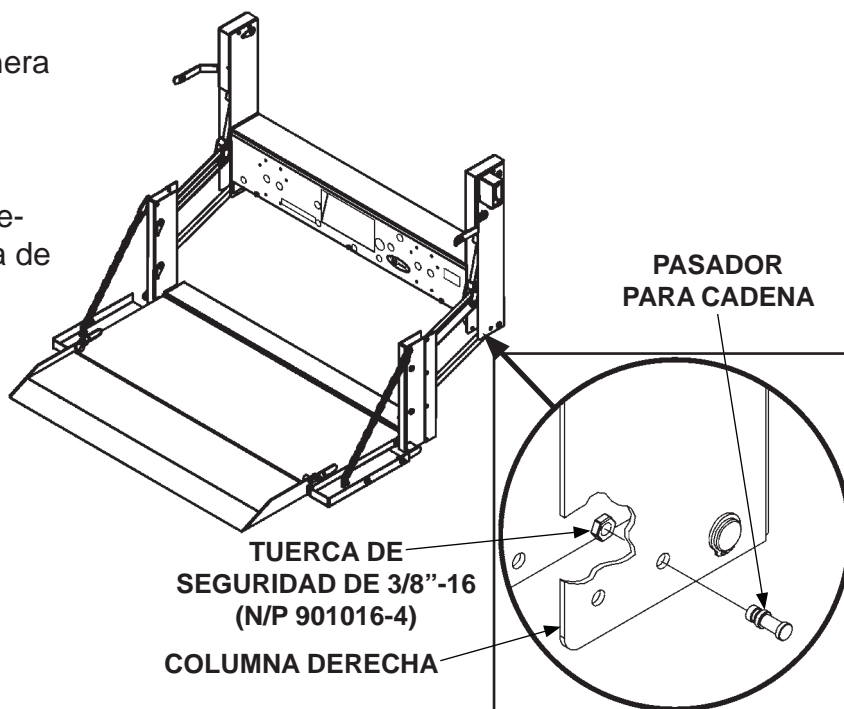
INSTALAR TAPÓN RESPIRADERO EN EL DEPÓSITO DE LA BOMBA
FIG. 49-1



INSTALAR CUBIERTA Y MATRÍCULA
(SE MUESTRA ELEVADOR C2)
FIG. 49-2

FINALIZAR LA INSTALACIÓN DEL ELEVADOR - Cont.

6. Para bajar la plataforma de manera vertical, instale el pasador para cadena y una tuerca de 3/8"-16 (artículos incluidos en kit) en la parte inferior de la columna derecha (**FIG. 50-1**). Ajuste la tuerca de seguridad firmemente.



**INSTALAR PASADOR PARA CADENA
EN LA COLUMNA DERECHA
(SE MUESTRA ELEVADOR C2)
FIG. 50-1**

7. Instale los tapones plásticos redondos de 3/8" en los agujeros vacíos localizados en la parte inferior de las columnas.
8. Reinstale el neumático de repuesto si lo retiró antes.

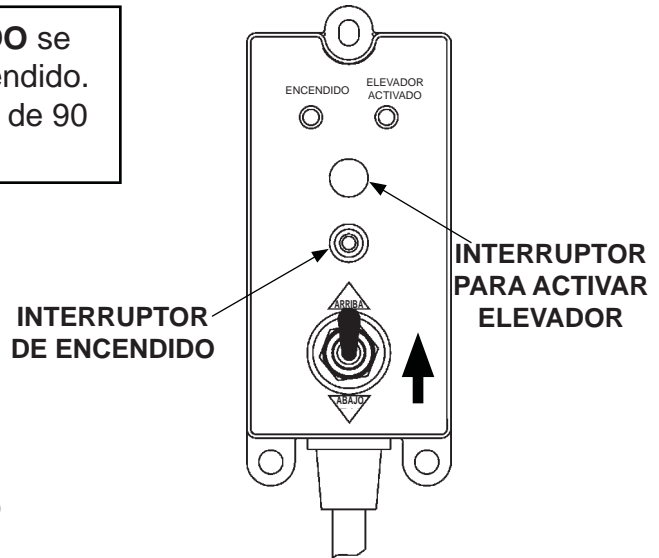
REALIZAR LA PRUEBA DE OPERACIÓN DEL ELEVADOR

⚠ ADVERTENCIA

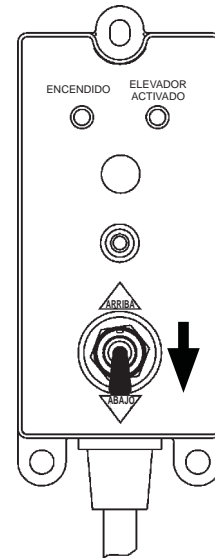
Mantenga todo objeto ajeno fuera del bastidor principal del Elevador y lejos de las zonas de pliegue cuando el Elevador esté en operación.

NOTA: La luz LED de **ELEVADOR ACTIVADO** se ilumina cuando el Elevador está encendido. El interruptor se desactivará después de 90 segundos de no utilizarlo.

1. Revise la correcta operación del interruptor presionando el botón de **ENCENDIDO** una vez para activarlo. Ahora presione el botón de **ENCENDIDO** nuevamente para desactivar el Elevador. Después, presione el botón de **ENCENDIDO** dos veces para restablecer el voltaje bajo (**FIG. 51-1**).
2. Presione el botón de **ELEVADOR ACTIVADO** antes de que pase 1 segundo para activar el temporizador (**FIG. 51-1**).
3. Eleve (**ARRIBA**) y descienda (**ABAJO**) la plataforma sin carga (**FIGS. 51-1** y **51-2**) sobre terreno plano. Verifique la correcta velocidad de operación y alineación en relación al suelo.
4. Cargue la plataforma con la capacidad nominal y mida el tiempo que toma **ELEVAR** la plataforma (**FIG. 51-1**). La plataforma debe elevarse aproximadamente de 2" a 3" [5.1 a 7.6 cm] por segundo.
5. Examine la plataforma buscando cualquier clase de inclinación descendiente. Si experimenta esta inclinación, retire el tapón de ventilación del depósito de la bomba. Verifique y limpie cualquier residuo del tapón de ventilación. Reinstale el tapón.
6. Mida el tiempo que toma **DESCENDER** la plataforma aún cargada (**FIG. 51-2**). La carga debe descender de 7" a 9" [17.8 a 22.9 cm] por segundo.
7. Retire la carga de la plataforma y examine tanto el Elevador como el vehículo buscando fugas hidráulicas, cableado suelto y cualquier otro problema.
8. Reinstale la cubierta de la carcasa del bastidor principal. Después, cierre y enganche la plataforma.



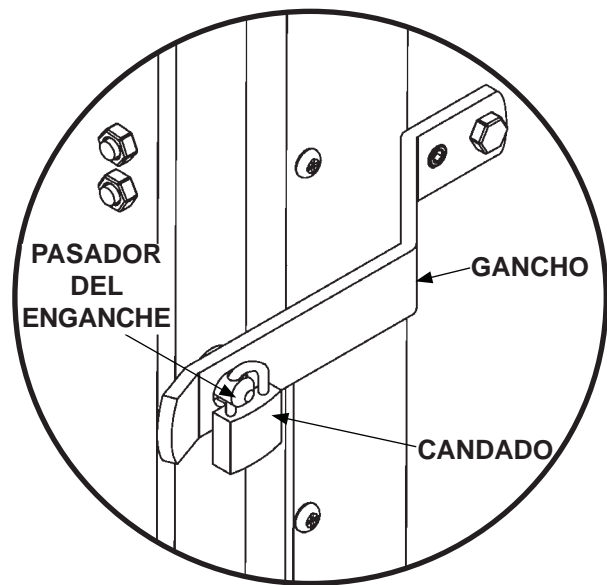
VERIFICAR OPERACIÓN DEL INTERRUPTOR Y ELEVAR LA PLATAFORMA FIG. 51-1



UTILIZAR INTERRUPTOR PARA DESCENDER LA PLATAFORMA FIG. 51-2

REALIZAR LA PRUEBA DE OPERACIÓN DEL ELEVADOR - Cont.

9. Asegure el gancho en el lado derecho o izquierdo a través del agujero en el pasador del enganche (**FIG. 52-1**).



**ASEGURAR LA PLATAFORMA
(ELEVADOR C2)
FIG. 52-1**