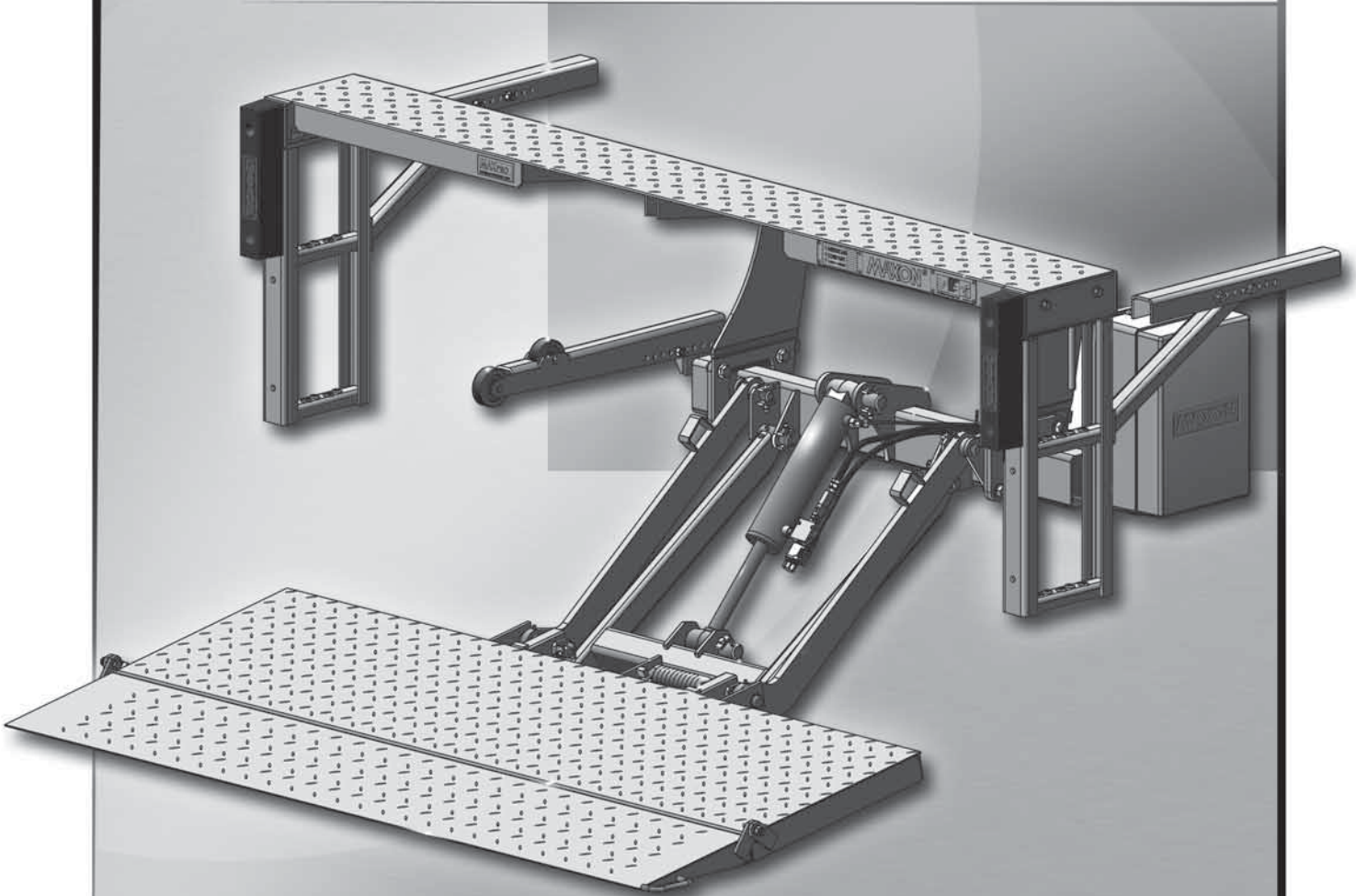


M-16-35
REV C
MARCH 2019

MAXON®

TE-15 TE-20
TE-25 TE-30

MAINTENANCE MANUAL



MAXON[®]

LIFT CORP.

11921 Slauson Ave.
Santa Fe Springs, CA. 90670

CUSTOMER SERVICE:

TELEPHONE (562) 464-0099 TOLL FREE (800) 227-4116

FAX: (888) 771-7713

NOTE: For latest version of all Manuals (and replacements), download the Manuals from Maxon's website at www.maxonlift.com.

WARRANTY/ RMA POLICY & PROCEDURE

LIFTGATE WARRANTY

Type of Warranty: Full Parts and Labor

Term of Warranty: Standard Liftgates - 2 years from ship date or 6,000 cycles
Premium Liftgates - 2 years from ship date or 10,000 cycles

This warranty shall not apply unless the product is installed, operated and maintained in accordance with MAXON Lift's specifications as set forth in MAXON Lift's Installation, Operation and Maintenance manuals. This warranty does not cover normal wear, maintenance or adjustments, damage or malfunction caused by improper handling, installation, abuse, misuse, negligence, or carelessness of operation. In addition, this warranty does not cover equipment that has had unauthorized modifications or alterations made to the product.

MAXON agrees to replace any components which are found to be defective during the first 2 years of service, and will reimburse for labor based on MAXON's Liftgate Warranty Flat Rate Schedule. (Copy of the Flat Rate is available at www.maxonlift.com.)

All warranty repairs must be performed by an authorized MAXON warranty facility. For any repairs that may exceed \$500, including parts and labor, MAXON's Technical Service Department must be notified and an "Authorization Number" obtained.

All claims for warranty must be received within 30 Days of the repair date, and include the following information:

1. Liftgate Model Number and Serial Number
2. The End User must be referenced on the claim
3. Detailed Description of Problem
4. Corrective Action Taken, and Date of Repair
5. Parts used for Repair, Including MAXON Part Number(s)
6. MAXON R.M.A. # and/or Authorization # if applicable (see below)
7. Person contacted at MAXON if applicable
8. Claim must show detailed information i.e. Labor rate and hours of work performed

Warranty claims can also be placed online at www.maxonlift.com. Online claims will be given priority processing.

All claims for warranty will be denied if paperwork has not been received or claim submitted via Maxon website for processing by MAXON's Warranty Department within 30 days of repair date.

All components may be subject to return for inspection, prior to the claim being processed. MAXON products may not be returned without prior written approval from MAXON's Technical Service Department. Returns must be accompanied by a copy of the original invoice or reference with original invoice number and are subject to a credit deduction to cover handling charges and any necessary reconditioning costs. **Unauthorized returns will be refused and will become the responsibility of the returnee.**

Any goods being returned to MAXON Lift must be pre-approved for return, and have the R.M.A. number written on the outside of the package in plain view, and returned freight prepaid. All returns are subject to a 15% handling charge if not accompanied by a detailed packing list. Returned parts are subject to no credit and returned back to the customer. Defective parts requested for return must be returned within 30 days of the claim date for consideration to:

MAXON Lift Corp.
10321 Greenleaf Ave., Santa Fe Springs, CA 90670
Attn: RMA# _____

MAXON's warranty policy does not include the reimbursement for travel time, towing, vehicle rental, service calls, oil, batteries or loss of income due to downtime. Fabrication or use of non Maxon parts, which are available from MAXON, are also not covered.

MAXON's Flat Rate Labor Schedule takes into consideration the time required for diagnosis of a problem.

All Liftgates returned are subject to inspection and a 15% restocking fee. Any returned Liftgates or components that have been installed or not returned in new condition will be subject to an additional reworking charge, which will be based upon the labor and material cost required to return the Liftgate or component to new condition.

PURCHASE PART WARRANTY

Term of Warranty: 1 Year from Date of Purchase.

Type of Warranty: Part replacement only. MAXON will guarantee all returned genuine MAXON replacement parts upon receipt and inspection of parts and original invoice.

All warranty replacements parts will be sent out via ground freight. If a rush shipment is requested, all freight charges will be billed to the requesting party.

TABLE OF CONTENTS

SUMMARY OF CHANGES: M-16-35, REVISION C	6
WARNINGS	7
SAFETY INSTRUCTIONS	8
LIFTGATE TERMINOLOGY	9
PERIODIC MAINTENANCE	10
PERIODIC MAINTENANCE CHECKS	10
PERIODIC MAINTENANCE CHECKLIST	11
CHECKING HYDRAULIC FLUID	13
CHANGING HYDRAULIC FLUID	15
PLATFORM ADJUSTMENT	18
REPLACING PLATFORM TORSION SPRING	21
DECALS	23
SYSTEM DIAGRAMS	26
PUMP, MOTOR & SOLENOID OPERATION - GRAVITY DOWN	26
PUMP, MOTOR & SOLENOID OPERATION - POWER DOWN	27
HYDRAULIC SYSTEM DIAGRAMS	28
HYDRAULIC SCHEMATIC (GRAVITY DOWN).....	28
HYDRAULIC SCHEMATIC (POWER DOWN)	29
ELECTRICAL SYSTEM DIAGRAMS	30
ELECTRICAL SCHEMATIC (GRAVITY DOWN)	30
ELECTRICAL SCHEMATIC (POWER DOWN).....	31
TROUBLESHOOTING	33
PLATFORM WILL NOT RAISE.....	33
PLATFORM RAISES BUT LEAKS DOWN	34
PLATFORM RAISES PARTIALLY AND STOPS.....	35

LIFTGATE WILL NOT LIFT RATED CAPACITY	36
PLATFORM RAISES SLOWLY	37
PLATFORM WILL NOT LOWER, LOWERS TOO SLOWLY OR TOO QUICKLY	38

SUMMARY OF CHANGES: M-16-35, REVISION C

PAGE	DESCRIPTION OF CHANGE
Cover	Updated revision, date & copyright statement. Liftgate has hydraulic lock valve on the hydraulic cylinder, and safety hook is no longer part of the extension plate.
7	Added California Proposition 65 WARNING.
9,12,23,24, 26-31	Added lock valve to hydraulic cylinders shown in illustrations and system diagrams.
13,15	Illustrations clarify the correct level of hydraulic oil in the pump reservoirs.
23, 24	Added new UP/DOWN decals for control switch, OPERATING INSTRUCTIONS decal with QR code, parts portal decal with QR code, and MAXON 24/7 support decal. QR codes are linked to operation manuals or videos on the MAXON website, and parts explosions on the MAXON Parts Portal.
25	Added TE-15 & TE-20 info to capacity decal table.
32	Cycle counter operating voltage is updated in ELECTRICAL VALUES.
34-36	Updated ports on hydraulic cylinder.
37,38	Hydraulic cylinder shows lock valve.

MAXON®

11921 Slauson Ave. Santa Fe Springs, CA. 90670 (800) 227-4116 FAX (888) 771-7713

Comply with the following **WARNINGS** and **SAFETY INSTRUCTIONS** while maintaining Liftgates. See Operation Manual for operating safety requirements.

WARNING

Installing and maintaining a liftgate can expose you to chemicals, including lead, which are known to the State of California to cause cancer and birth defects or other reproductive harm. To minimize exposure, install and maintain liftgate in a well-ventilated area and wear **proper Personal protective equipment (PPE)**. For more information go to www.P65Warnings.ca.gov.

WARNING

- Do not stand, or allow obstructions, under the platform when lowering the Liftgate. **Be sure your feet are clear of the Liftgate.**
- **Keep fingers, hands, arms, legs, and feet clear of moving Liftgate parts (and platform edges) when operating the Liftgate.**
- **Correctly stow platform when not in use. Extended platforms could create a hazard for people and vehicles passing by.**
- **Disconnect Liftgate power cable from battery** before repairing or servicing Liftgate.
- If it is necessary to stand on the platform while maintaining the Liftgate, keep your feet and any objects clear of the inboard edge of the platform. Your feet or objects on the platform can become trapped between the platform and the Liftgate extension plate.
- Recommended practices for welding on steel parts are contained in the current **AWS (American Welding Society) D1.1 Structural Welding Code - Steel**. Damage to Liftgate and/or vehicle, and personal injury could result from welds that are done incorrectly.
- Recommended practices for welding on aluminum parts are contained in the current **AWS (American Welding Society) D1.2 Structural Welding Code - Aluminum**. Damage to Liftgate and/or vehicle, and personal injury could result from welds that are done incorrectly.
- Recommended practices for welding galvanized steel are contained in the current **AWS (American Welding Society) D19.0 Welding Zinc-Coated Steel**. Damage to Liftgate and/or vehicle, and personal injury can result from welds that are done incorrectly.

SAFETY INSTRUCTIONS

- Read and understand the instructions in this **Maintenance Manual** before performing maintenance on the Liftgate.
- Before operating the Liftgate, read and understand the operating instructions in **Operation Manual**.
- Comply with all **WARNING** and instruction decals attached to the Liftgate.
- Keep decals clean and legible. If decals are illegible or missing, replace them. Free replacement decals are available from **Maxon Customer Service**.
- Consider the safety and location of bystanders and location of nearby objects when operating the Liftgate. Stand to one side of the platform while operating the Liftgate.
- Do not allow untrained persons to operate the Liftgate.
- Wear appropriate safety equipment such as protective eyeglasses, faceshield and clothing while performing maintenance on the Liftgate and handling the battery. Debris from drilling and contact with battery acid may injure unprotected eyes and skin.
- Be careful working by an automotive type battery. Make sure the work area is well ventilated and there are no flames or sparks near the battery. Never lay objects on the battery that can short the terminals together. If battery acid gets in your eyes, immediately seek first aid. If acid gets on your skin, immediately wash it off with soap and water.
- If an emergency situation arises (vehicle or Liftgate) while operating the Liftgate, release the control switch to stop the Liftgate.
- A correctly installed Liftgate operates smoothly and reasonably quiet. The only noticeable noise during operation comes from the power unit while the platform is raised. Listen for scraping, grating and binding noises and correct the problem before continuing to operate Liftgate.
- Use only **Maxon Authorized Parts** for replacement parts. Provide Liftgate model and serial number information with your parts order. Order replacement parts from:

MAXON LIFT CORP. Customer Service
11921 Slauson Ave., Santa Fe Springs, CA 90670

Online: www.maxonlift.com
Express Parts Ordering: Phone (800) 227-4116 ext. 4345
Email: Ask your Customer Service representative

MAXON[®]

11921 Slauson Ave. Santa Fe Springs, CA. 90670 (800) 227-4116 FAX (888) 771-7713

LIFTGATE TERMINOLOGY

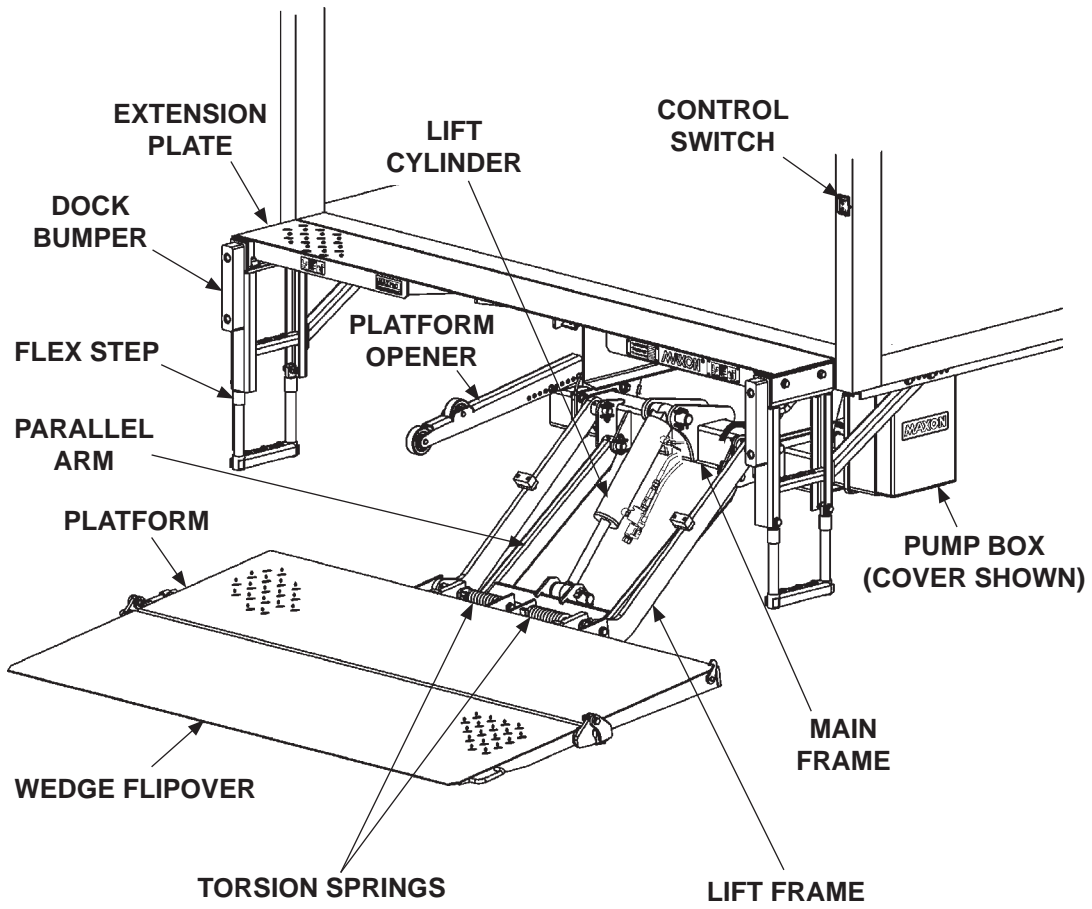


FIG. 9-1

PERIODIC MAINTENANCE PERIODIC MAINTENANCE CHECKS

⚠ WARNING

Never operate the Liftgate if parts are loose or missing.

NOTE: Make sure vehicle is parked on level ground while performing the maintenance checks.

Quarterly or 1250 Cycles (whichever occurs first)

Check the hydraulic fluid level in the pump reservoir. Refer to the **CHECKING HYDRAULIC FLUID** procedure in the **PERIODIC MAINTENANCE** section.

If hydraulic fluid appears contaminated, refer to the **CHANGING HYDRAULIC FLUID** procedure in the **PERIODIC MAINTENANCE** section.

Keep track of the grade of hydraulic fluid in the pump reservoir and never mix two different grades of fluid.

Check all hoses and fittings for chafing and fluid leaks. Tighten loose fittings or replace parts as required.

Check electrical wiring for chafing and make sure wiring connections are tight and free of corrosion. Use dielectric grease to protect electrical connections.

Check that all **WARNING and instruction decals** are in place. Also, make sure decals are legible, clean and undamaged.

Check that all bolts, nuts, and roll pins are in place. Make sure roll pins protrude evenly from both sides of hinge pin collar. Replace fasteners and roll pins if necessary.

Pump EP chassis grease in each lube fitting on the cylinders and arms until grease starts oozing from ends of the bearings. The lubrication diagram on the **PERIODIC MAINTENANCE CHECKLIST SHEET** shows where to find the lube fittings. Wipe off excess grease with a clean lint-free cloth.

CAUTION

Damaged cylinder seals and contaminated hydraulic fluid can result from painting the polished portion of the cylinder rod. To prevent damage, protect the exposed polished portion of the cylinder rod while painting.

Check for rust and oily surfaces on Liftgate. If there is rust or oil on Liftgate, clean it off. Touch up the paint or galvanized finish where bare metal is showing. **MAXON** recommends using the aluminum primer touchup paint or cold galvanize spray for galvanized finish.

Semi-annually or 2500 Cycles (whichever occurs first)

Visually check the platform hinge pins for excessive wear and broken welds. See **PARTS BREAKDOWN** section for replacement parts. Also, do the **Quarterly or 1250 Cycles** maintenance checks.

MAXON[®]

11921 Slauson Ave. Santa Fe Springs, CA 90670 (800) 227-4116 FAX (888) 771-7713

PERIODIC MAINTENANCE CHECKLIST

NOTE: Make sure vehicle is parked on level ground while performing the maintenance checks.

Quarterly or 1250 Cycles (whichever occurs first)

- Check the level and condition of the hydraulic fluid.
- Visually check all hoses for chafing and fluid leaks. Tighten loose fittings or replace parts as required.
- Check electrical wiring for chafing and make sure wiring connections are tight and free of corrosion. Use dielectric grease to protect electrical connections.
- Check that all **WARNING and instruction decals** are in place. Also, make sure decals are legible and decals are clean and undamaged.
- Check that all bolts, nuts, and roll pins are in place. Make sure roll pins protrude evenly from both sides of hinge pin collar. Replace fasteners and roll pins if necessary.
- Pump EP chassis grease in each lube fitting on the cylinders and arms until grease starts oozing from ends of the bearings. Refer to lubrication diagram on the next page. Wipe off excess grease with a clean lint-free cloth.

CAUTION

Damaged cylinder seals and contaminated hydraulic fluid can result from painting the polished portion of the cylinder rod. To prevent damage, protect the exposed polished portion of the cylinder rod while painting.

- Check for rust and oily surfaces on Liftgate. If there is rust or oil on Liftgate or if the Lift-gate is dirty, clean it off. Touch up the paint or galvanized finish where bare metal is showing. To maintain the protection provided by the original paint system or galvanized finish, **MAXON** recommends using the aluminum primer touchup paint or cold galvanize spray for galvanized finish.

Semi-annually or 2500 Cycles (whichever occurs first)

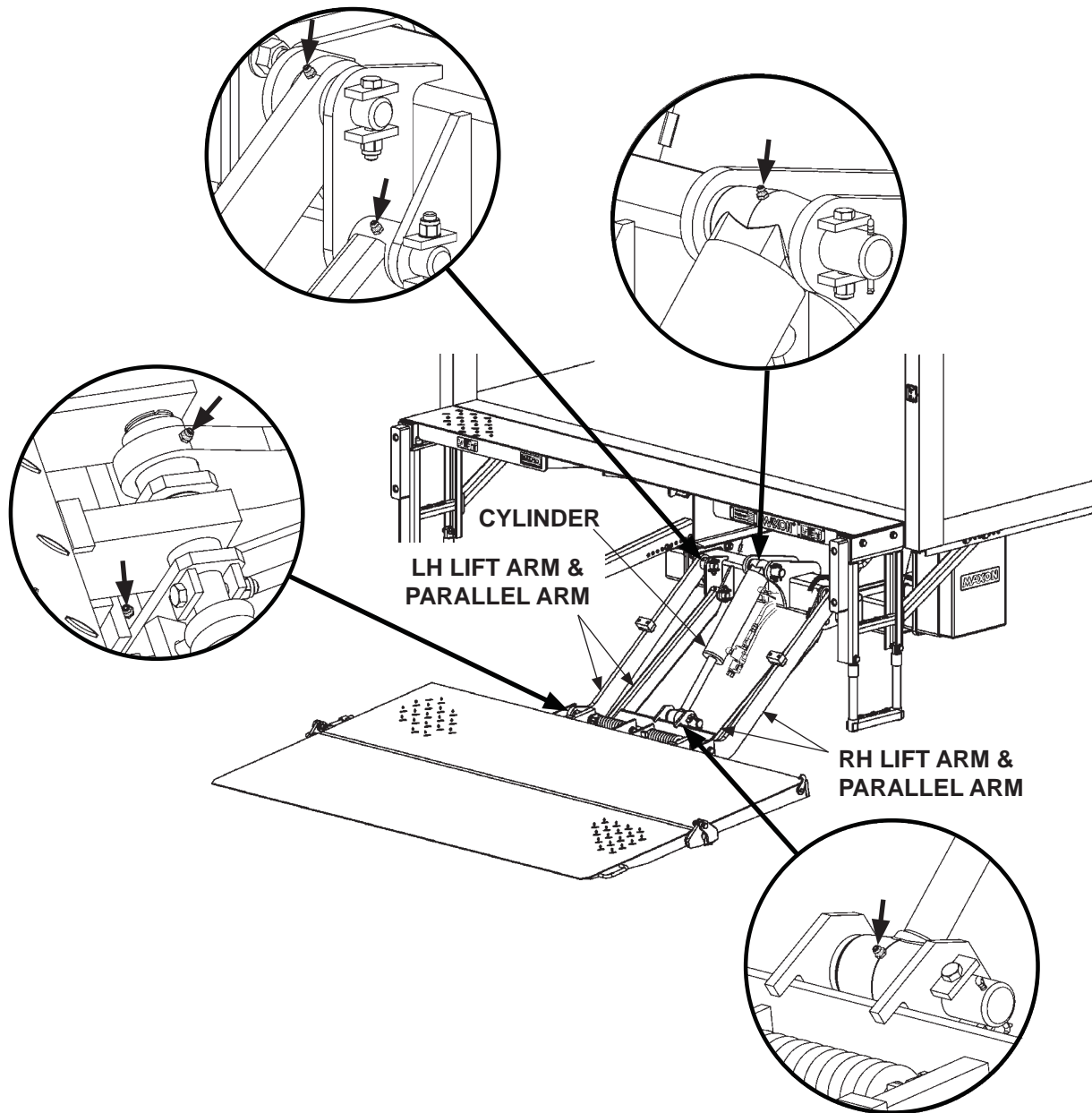
- Visually check the platform hinge pins for excessive wear and broken welds.
- Do the **Quarterly or 1250 Cycles Checks** on this checklist.

PERIODIC MAINTENANCE

PERIODIC MAINTENANCE CHECKLIST - Continued

NOTE: Lube fittings are shown for the cylinder, LH lift arm, and LH parallel arm. There are also lube fittings at the same places on the RH cylinder, lift arm, and parallel arm.

Refer to lubrication diagram (**FIG. 12-1**) to find the lube fittings on cylinders and arms. Pump EP chassis grease in each lube fitting on the cylinders and arms until grease starts oozing from ends of the bearings. Then, wipe off excess grease with a clean lint-free cloth.



LUBRICATION DIAGRAM
FIG. 12-1

CHECKING HYDRAULIC FLUID

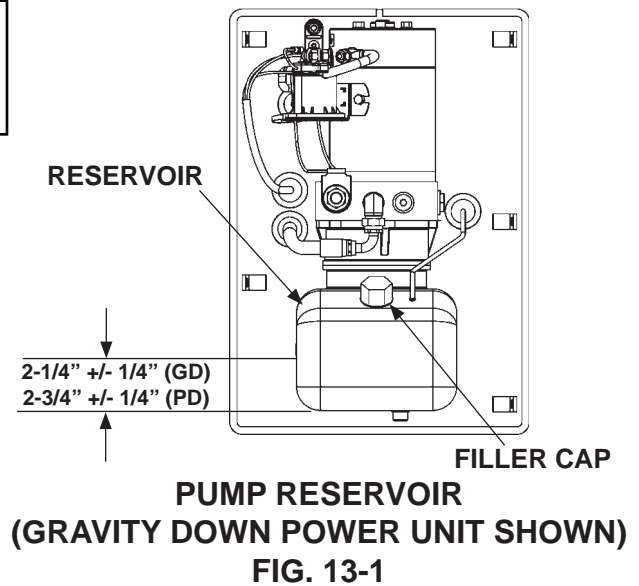
CAUTION

Keep dirt, water and other contaminants from entering the hydraulic system. Before opening the hydraulic fluid reservoir filler cap, drain plug and hydraulic lines, clean up contaminants that can get in the openings. Also, protect the openings from accidental contamination.

NOTE: Liftgate is shipped with **ISO 32** oil. Use correct oil for climate conditions.
+50 to +120 Degrees F - Grade ISO 32
Below + 70 Degrees F - Grade ISO 15 or MIL-H-5606
 See **TABLES 14-1 & 14-2** for recommended brands of **ISO 32 & ISO 15** oils.

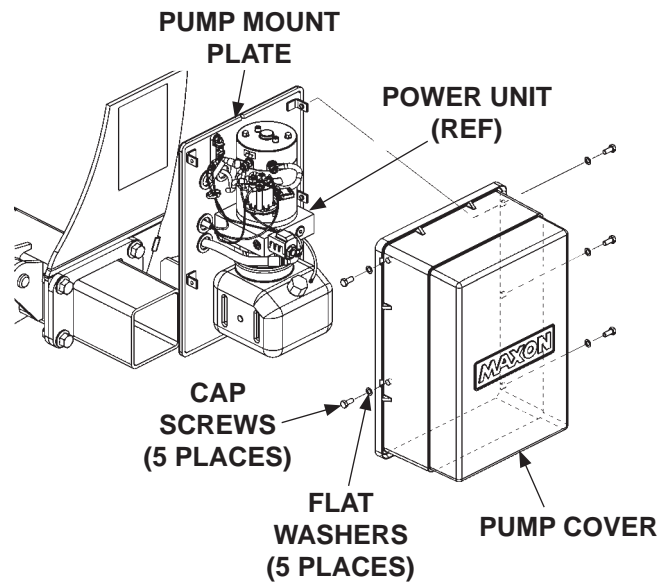
NOTE: Hydraulic oil level must be minimum of 1-1/2" above the bottom of reservoir to operate Liftgate.

1. With platform at bed height, check oil level in the pump reservoir (**FIG. 13-1**). To add oil, pull out filler cap (no threads) (**FIG. 13-1**). Add hydraulic oil in reservoir to the level shown in **FIG. 13-1**.



2. Reinstall filler cap (**FIG. 13-1**).

3. Bolt on the pump cover as shown in **FIG. 13-2**. Torque the bolts (cap screws) to **10 - 14 lb-in.**



PERIODIC MAINTENANCE

CHECKING HYDRAULIC FLUID - Continued

ISO 32 HYDRAULIC OIL	
RECOMMENDED BRANDS	PART NUMBER
CHEVRON	HIPERSYN 32
KENDALL	GOLDEN MV
SHELL	TELLUS S2 VX 32
EXXONMOBIL	UNIVIS N-32, DTE-24

TABLE 14-1

ISO 15 OR MIL-H-5606 HYDRAULIC OIL	
RECOMMENDED BRANDS	PART NUMBER
CHEVRON	FLUID A, AW-MV-15
KENDALL	GLACIAL BLU
SHELL	TELLUS S2 VX 15
EXXONMOBIL	UNIVIS HVI-13
ROSEMEAD	THS FLUID 17111

TABLE 14-2

MAXON®

11921 Slauson Ave. Santa Fe Springs, CA. 90670 (800) 227-4116 FAX (888) 771-7713

CHANGING HYDRAULIC FLUID

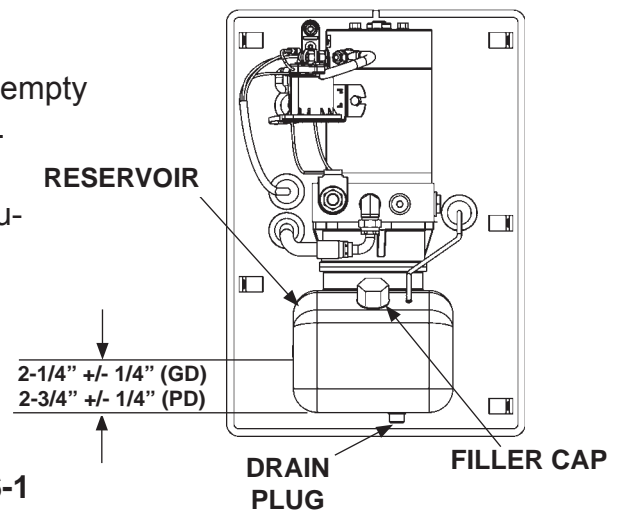
CAUTION

Keep dirt, water and other contaminants from entering the hydraulic system. Before opening the hydraulic fluid reservoir filler cap, drain plug and hydraulic lines, clean up contaminants that can get in the openings. Also, protect the openings from accidental contamination.

NOTE: Liftgate is shipped with **ISO 32** oil. Use correct oil for climate conditions.
+50 to +120 Degrees F - Grade ISO 32
Below + 70 Degrees F - Grade ISO 15 or MIL-H-5606
See **TABLES 14-1 & 14-2** for recommended brands of **ISO 32 & ISO 15** oils.

GRAVITY DOWN LIFTGATES

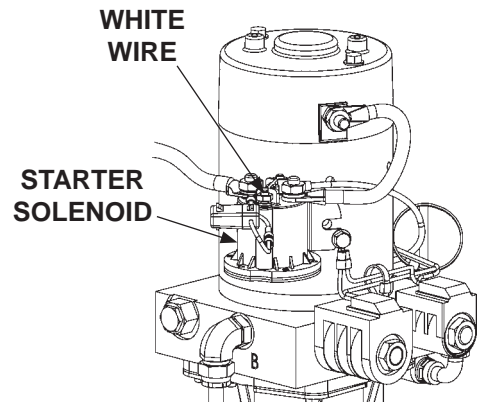
1. Remove the pump cover (**FIG. 13-1**). Place empty 5 gallon bucket under drain plug (**FIG. 15-1**).
2. Lower platform to ground. Pull out (no threads) drain plug (**FIG. 15-1**). Drain hydraulic fluid from system. Reinstall drain plug.
3. Pull out (no threads) filler cap (**FIG. 15-1**) and refill reservoir with hydraulic fluid to level shown in **FIG. 15-1**. Reinstall filler cap (**FIG. 15-1**).
4. Bolt on the pump cover as shown in **FIG. 16-1**. Torque the bolts (cap screws) to **10-14 lb-in.**



LIFTGATE SHOWN WITH GRAVITY DOWN PUMP & MOTOR
FIG. 15-1

POWER DOWN LIFTGATES

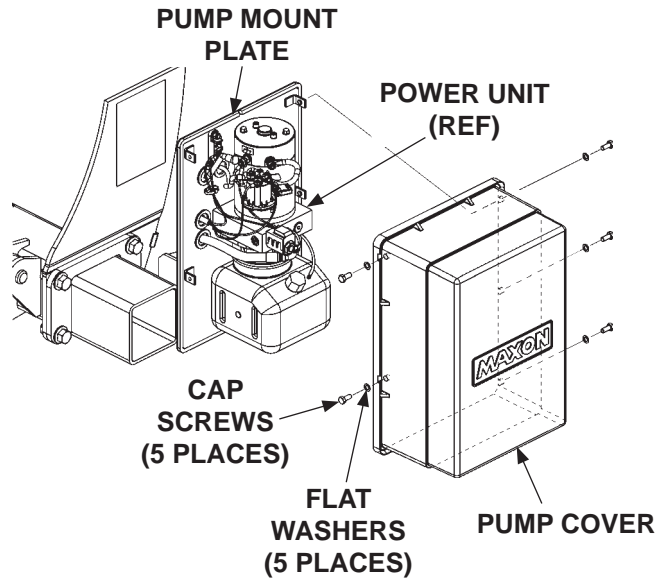
1. Remove the pump cover (**FIG. 13-2**). Place empty 5 gallon bucket under drain plug (**FIG. 15-1**).
2. Open and raise platform to vehicle bed height. Pull out (no threads) drain plug (**FIG. 15-1**). Drain hydraulic fluid.
3. Disconnect the white wire (**FIG. 15-2**) from starter solenoid. Lower the platform while draining the remaining hydraulic fluid from system. Reinstall drain plug. Reconnect the white wire to starter solenoid.
4. Pull out (no threads) filler cap (**FIG. 15-1**) and refill reservoir with hydraulic fluid to level shown in **FIG. 15-1**. Reinstall filler cap (**FIG. 15-1**).



POWER DOWN PUMP
FIG. 15-2

PERIODIC MAINTENANCE CHANGING HYDRAULIC OIL - Continued

5. Bolt on the pump cover as shown in **FIG. 16-1**. Torque the cap screws to **10-14 lb-in.**



**BOLTING PUMP COVER
FIG. 16-1**

MAXON[®]

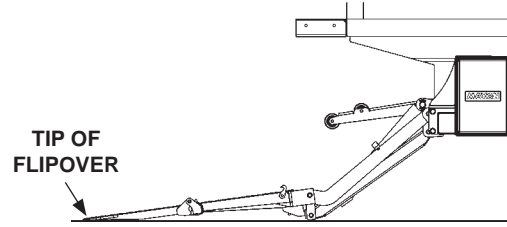
11921 Slauson Ave. Santa Fe Springs, CA. 90670 (800) 227-4116 FAX (888) 771-7713

THIS PAGE INTENTIONALLY LEFT BLANK

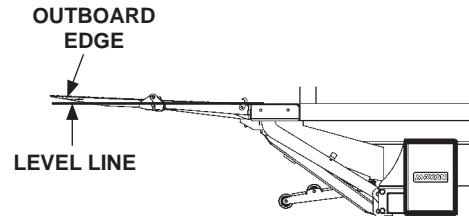
PERIODIC MAINTENANCE PLATFORM ADJUSTMENT

NOTE: Before doing the following procedure, make sure vehicle is parked on level ground.

1. Make sure platform is at ground level. Unfold the platform and flipover. As the platform first touches the ground, shackles and tip of flipover must touch the ground at the same time (**FIG. 18-1**). If the shackles and the tip of flipover touch the ground at the same time, raise platform to bed height. Outboard edge on top of flipover should be above bed level (**FIG. 18-2**). If indications are correct in both cases (**FIGS. 18-1 & 18-2**), Liftgate is installed correctly and no adjustment is needed. If indications are incorrect, continue with instruction 2.



**PLATFORM & SHACKLES
TOUCH GROUND
FIG. 18-1**



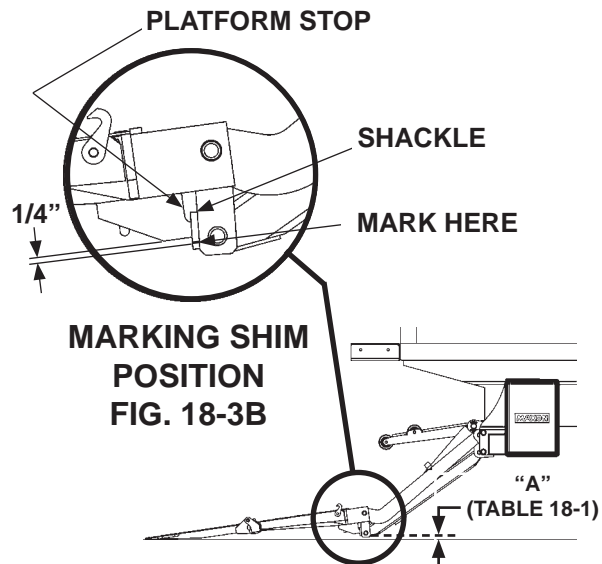
**PLATFORM EDGE
ABOVE BED LEVEL
FIG. 18-2**

NOTE: If tip of flipover touches first (**FIG. 18-3A**), do instructions 2 and 3. If the shackle touches first (see **FIG. 20-1**), skip 2 and 3 and do instructions 4 and 5.

2. Make sure platform is still at ground level. If the shackle is not touching the ground, measure and compare distance "A" (**FIG. 18-3A**) with **TABLE 18-1** to determine the correct shim. Next, mark position on shackle (**FIG. 18-3B**).

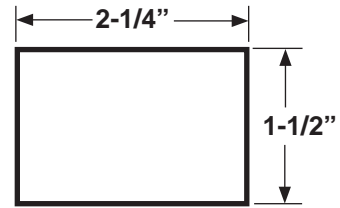
RAISE TIP OF FLIPOVER THIS DISTANCE "A"	REQUIRED SHIM THICKNESS	WELD SIZE "W"
9/16"	1/16"	1/16"
1-1/4"	1/8"	1/8"
1-15/16"	3/16"	3/16"
2-5/8"	1/4"	1/4"

**SHIMS TO RAISE TIP OF FLIPOVER
TABLE 18-1**

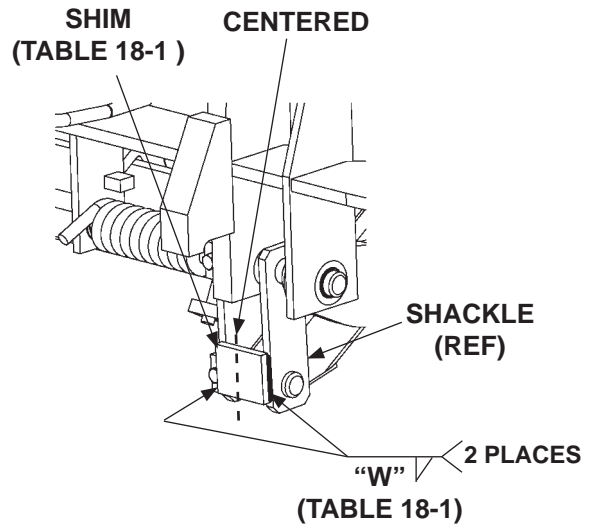


**SHACKLES DO NOT TOUCH GROUND
FIG. 18-3A**

3. Make shims as needed (**FIG. 19-1**). Position bottom edge of shim to line up with mark on shackle (**FIG. 19-2**). Then, weld the shim to shackle as shown in **FIG. 19-2**.



**SHIM (1/16", 1/8", 3/16", or 1/4")
MADE FROM STEEL FLAT
FIG. 19-1**



**WELDING SHIMS (RH SHACKLE SHOWN)
FIG. 19-2**

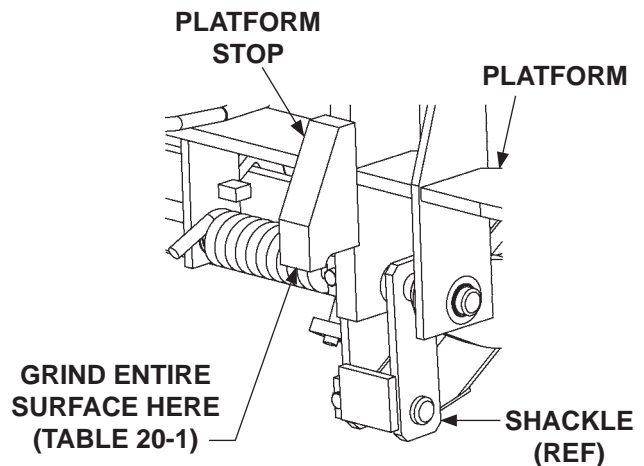
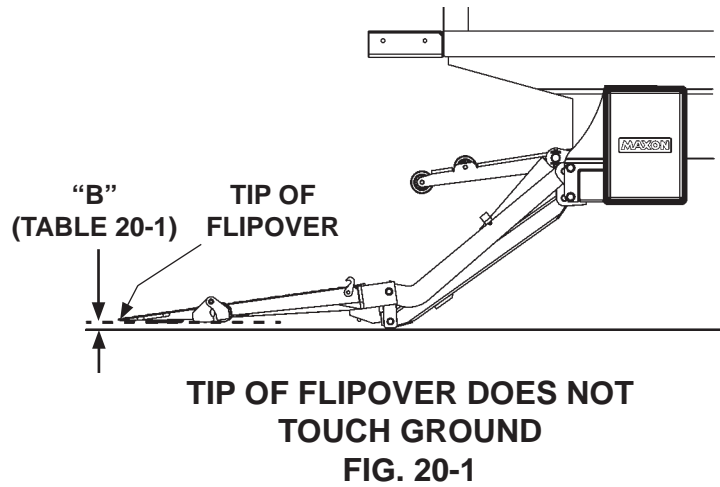
PERIODIC MAINTENANCE

PLATFORM ADJUSTMENT - Continued

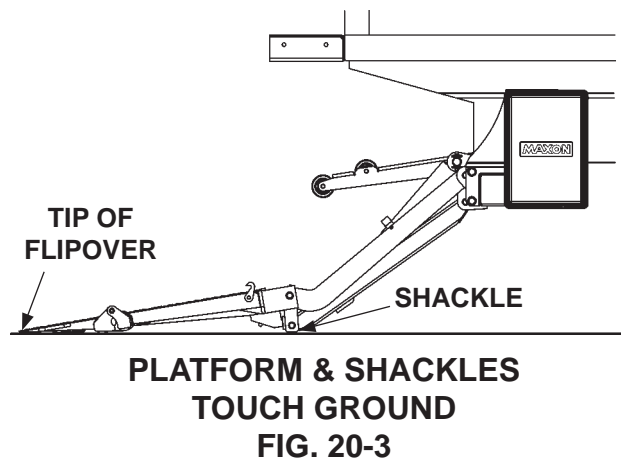
4. Make sure platform is still at ground level. If the tip of flipover is not touching the ground, measure and compare distance "B" (FIG. 20-1) with TABLE 20-1 to determine how much to grind from the platform stops (FIG. 20-2).

LOWER TIP OF FLIPOVER THIS DISTANCE "B"	GRIND METAL FROM PLATFORM STOP
9/16"	1/16"
1-1/4"	1/8"
1-15/16"	3/16"
2-5/8"	1/4"

GRIND TO LOWER TIP
TABLE 20-1



5. Grind correct amount of metal (TABLE 20-1) from platform stop as shown in FIG. 20-2.
6. Raise the platform, then lower it to the ground. As the platform first touches the ground, the tip of flipover and shackle should touch at the same time as shown in FIG. 20-3.



REPLACING PLATFORM TORSION SPRING

1. Fold flipover onto platform.
2. Fold platform.
3. Raise Liftgate to a convenient work height to gain access and release tension on the torsion spring.

CAUTION

To prevent injury and equipment damage, make sure there is no tension on torsion spring before removing hinge pin.

4. Remove cap screw, flat washer and locknut from pin collar on the platform hinge bracket. Drive the platform hinge pin outboard from the shackle just enough to free the torsion spring (FIG. 21-1). Remove torsion spring.

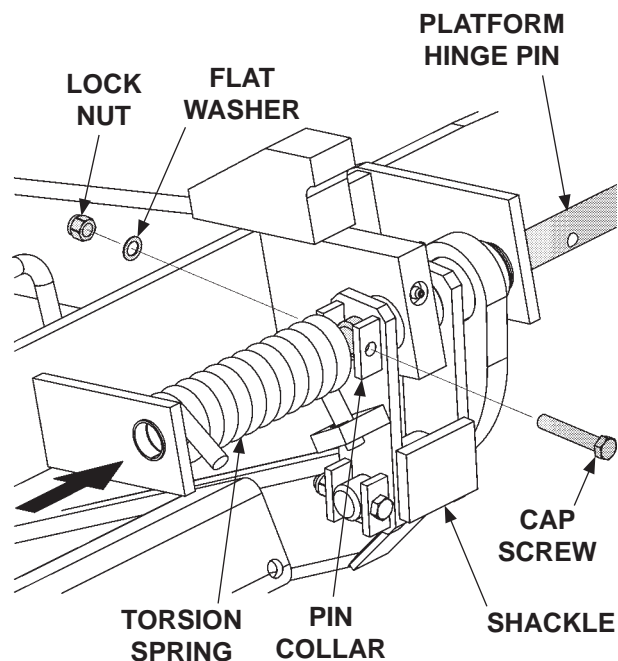


FIG. 21-1

5. Install the torsion spring as shown in (FIG. 21-2). Make sure the long leg of the spring is inserted through the hole in the block on the shackle (FIG. 21-2). Make sure the short end of the spring is positioned as shown in FIG. 21-2.

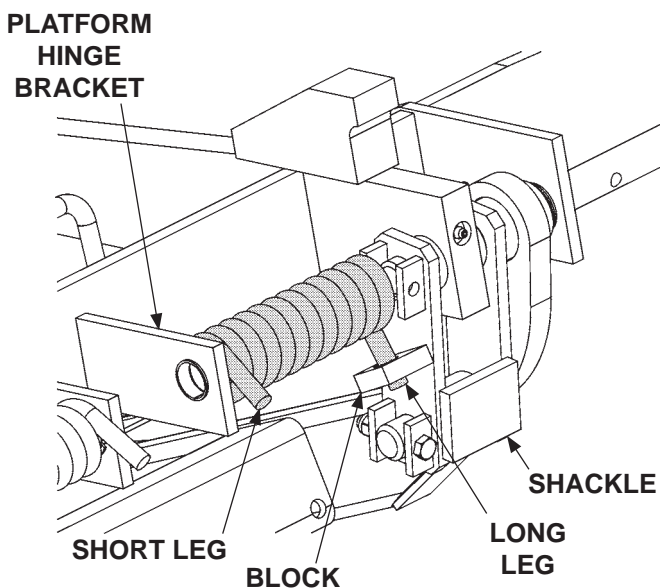


FIG. 21-2

PERIODIC MAINTENANCE REPLACING PLATFORM TORSION SPRING - Continued

6. Drive platform hinge pin inboard to correct position through the platform hinge bracket (**FIG. 22-1**). Line up the hole in the platform hinge pin with the hole in the pin collar. Reinstall cap screw through the pin collar and secure with flat washer and locknut (**FIG. 22-1**).

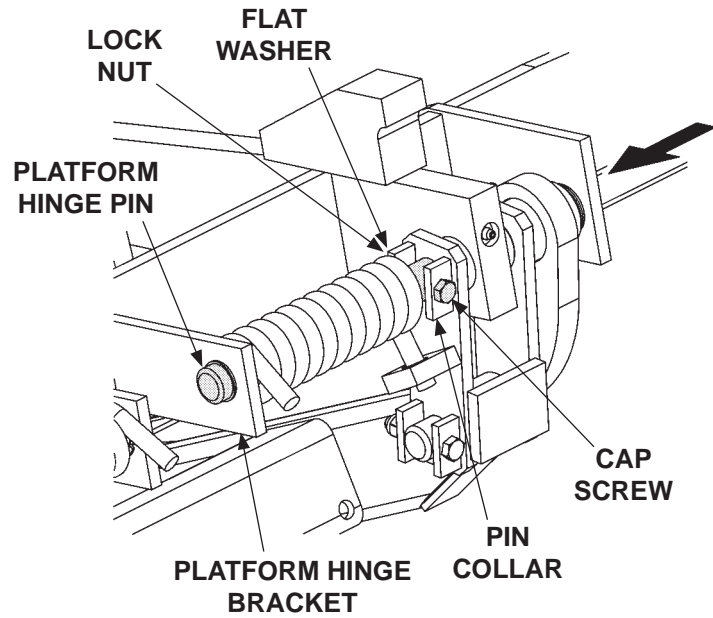


FIG. 22-1

MAXON[®]

11921 Slauson Ave. Santa Fe Springs, CA. 90670 (800) 227-4116 FAX (888) 771-7713

DECALS

NOTE: Preferred decal layout is shown, Decals on the Liftgate are attached at the factory. If vehicle does not permit this layout, decals in the manual and decal kit must be applied so that they are easily visible when approaching vehicle to operate Liftgate. Use good common sense when locating these decals on vehicle.

NOTE: Ensure there is no residue, dirt or corrosion where decals are attached. If necessary, clean surface before attaching decals.

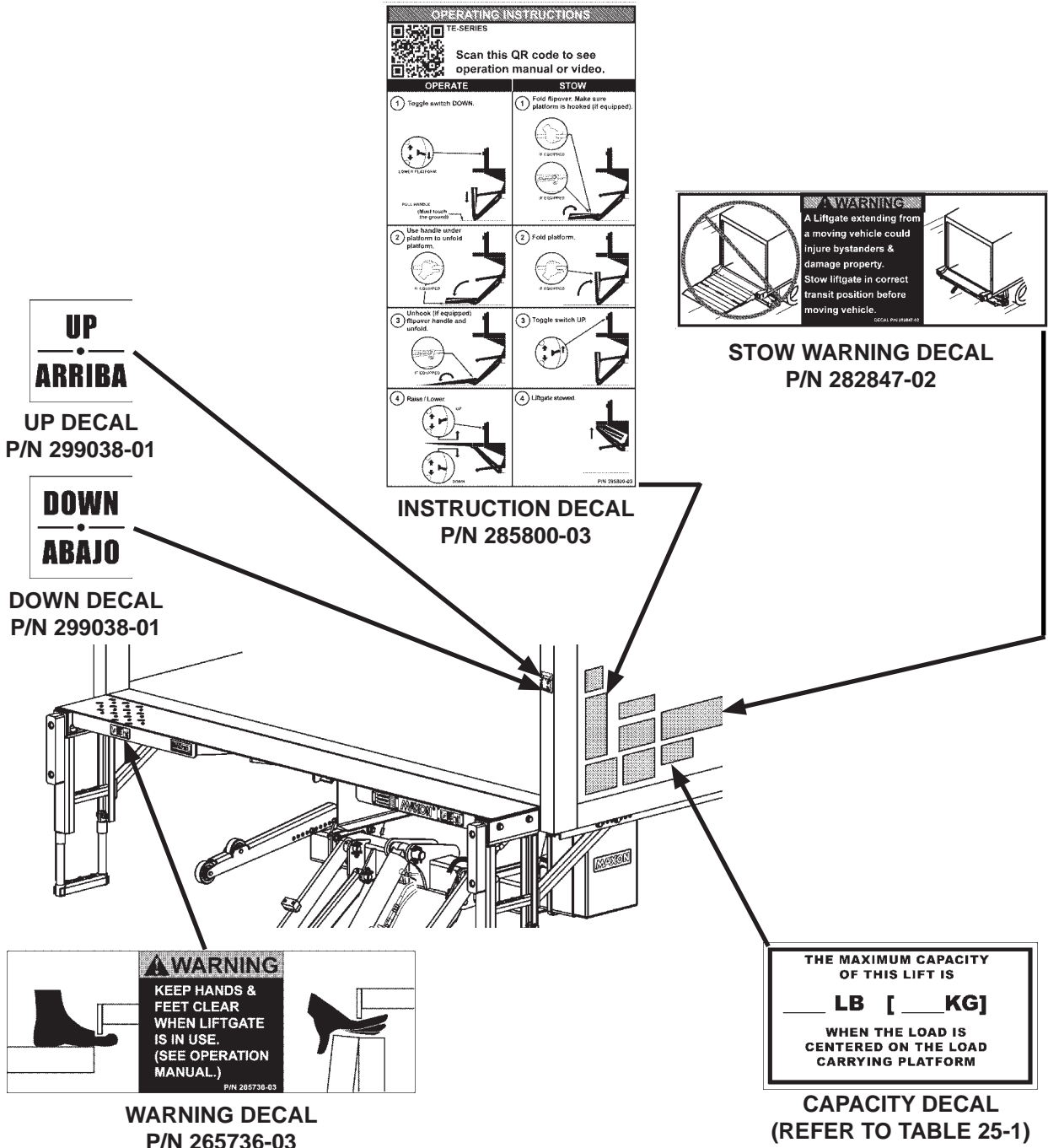


FIG. 23-1

DECALS - Continued

MAXON®

11921 Slauson Ave. Santa Fe Springs, CA. 90670 (800) 227-4116 FAX (888) 771-7713

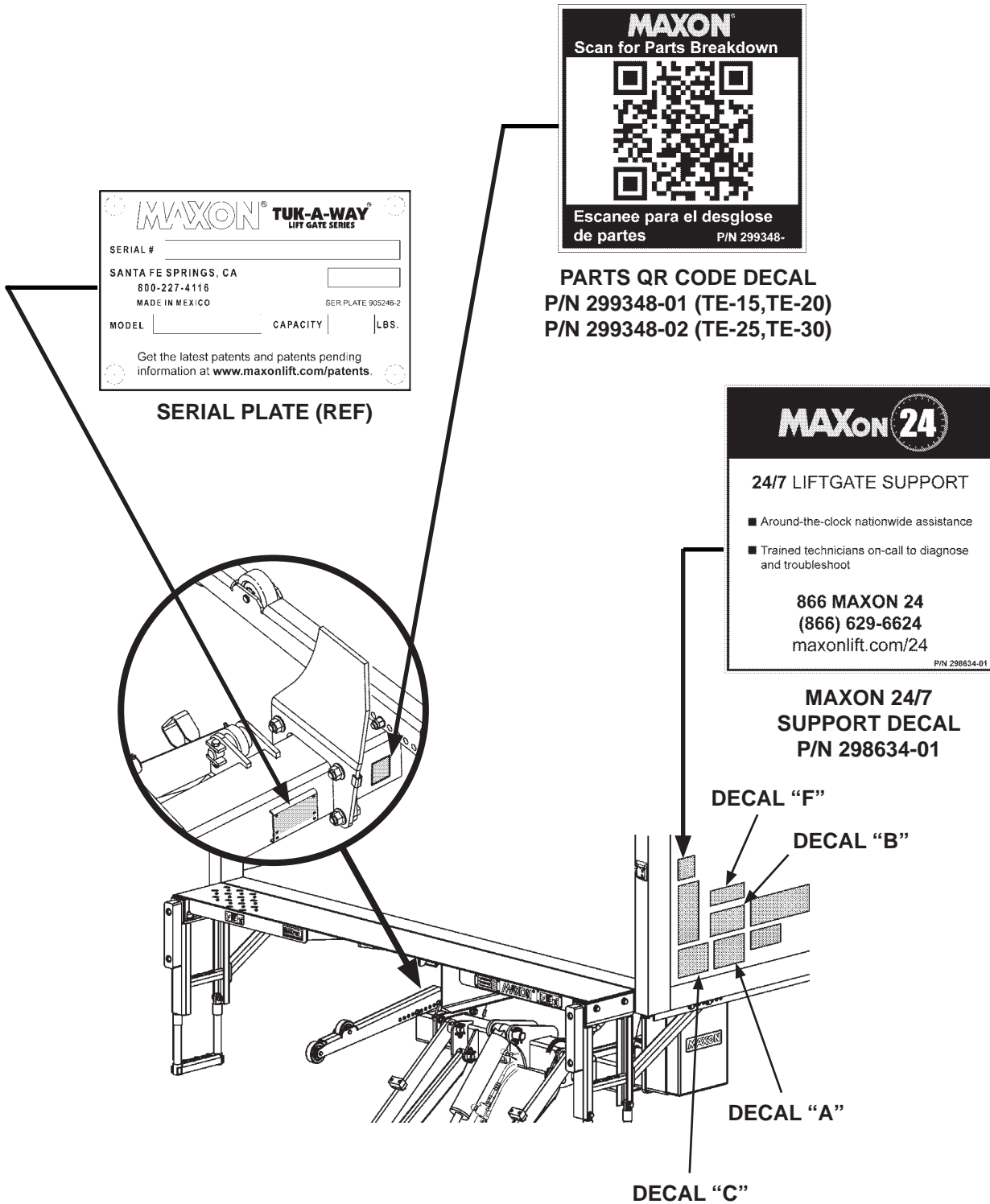


FIG. 24-1

SAFETY INSTRUCTIONS

Read all decals and operation manual before operating liftgate.

1. Do not use liftgate unless you have been properly instructed and have read, and are familiar with, the operating instructions.
2. Be certain vehicle is properly and securely braked before using the liftgate.
3. Always inspect this liftgate for maintenance or damage before using it. Do not use liftgate if it shows any sign of damage or improper maintenance.
4. Do not overload
5. Make certain the area in which the platform will open and close is clear before opening or closing the platform.
6. Make certain platform area, including the area in which loads may fall from platform, is clear before and at all times during operation of liftgate.
7. This liftgate is intended for loading and unloading of cargo only. Do not use this liftgate for anything but its intended use.

(A)

WARNING

Read this information carefully.

- Improper operation of this Liftgate can result in serious personal injury. If you do not have a copy of the operating instructions, please obtain them from your employer, distributor, or lessor before you attempt to operate Liftgate.
- If there are signs of improper maintenance, damage to vital parts, or slippery platform surface, do not use the Liftgate until these problems have been corrected.
- If you are using a pallet jack, be sure it can be maneuvered safely.
- Do not operate a forklift on the platform.
- Do not allow any part of yours or your helper's body to be placed under, within, or around any portion of the moving Liftgate, or its mechanisms, or in a position that would trap them between the platform and the ground or truck when the Liftgate is operated.
- If a helper is riding the platform with you, make sure you are both doing so safely and that you are not in danger of coming in contact with any moving or potentially moving obstacles.
- **USE GOOD COMMON SENSE**
- If load appears to be unsafe, do not lift or lower it.

For a free copy of other manuals that pertain to this model Liftgate, please visit our website at www.maxonlift.com or call Customer Service at (800) 227-4116.

(C)

WARNING

Liftgate hazards can result in crushing or falling.

Keep hands and feet clear of pinch points.

If riding liftgate, make sure load is stable and footing is solid.

Read and understand all instructions and WARNINGS before use.

CAUTION

Always stand clear of platform area.

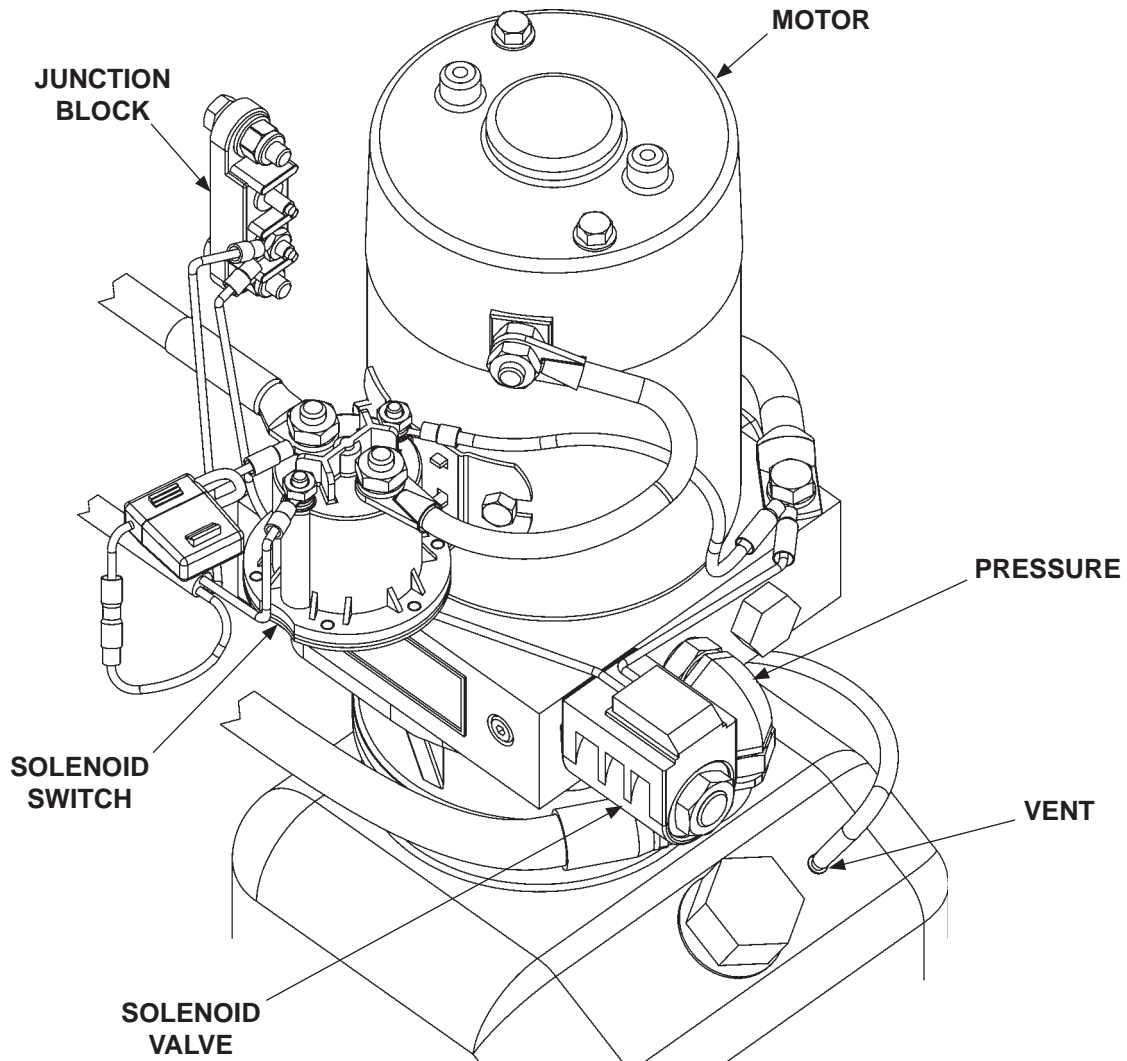
**DECAL SHEET
P/N 282522-01
FIG. 25-1**

MODEL	DECAL P/N	CAPACITY
TE-15	220386	1500 POUNDS [680 KG]
TE-20	220387	2000 POUNDS [907 KG]
TE-25	220382	2500 POUNDS [1134 KG]
TE-30	220388	3000 POUNDS [1360 KG]

TABLE 25-1

SYSTEM DIAGRAMS

PUMP, MOTOR & SOLENOID OPERATION - GRAVITY DOWN

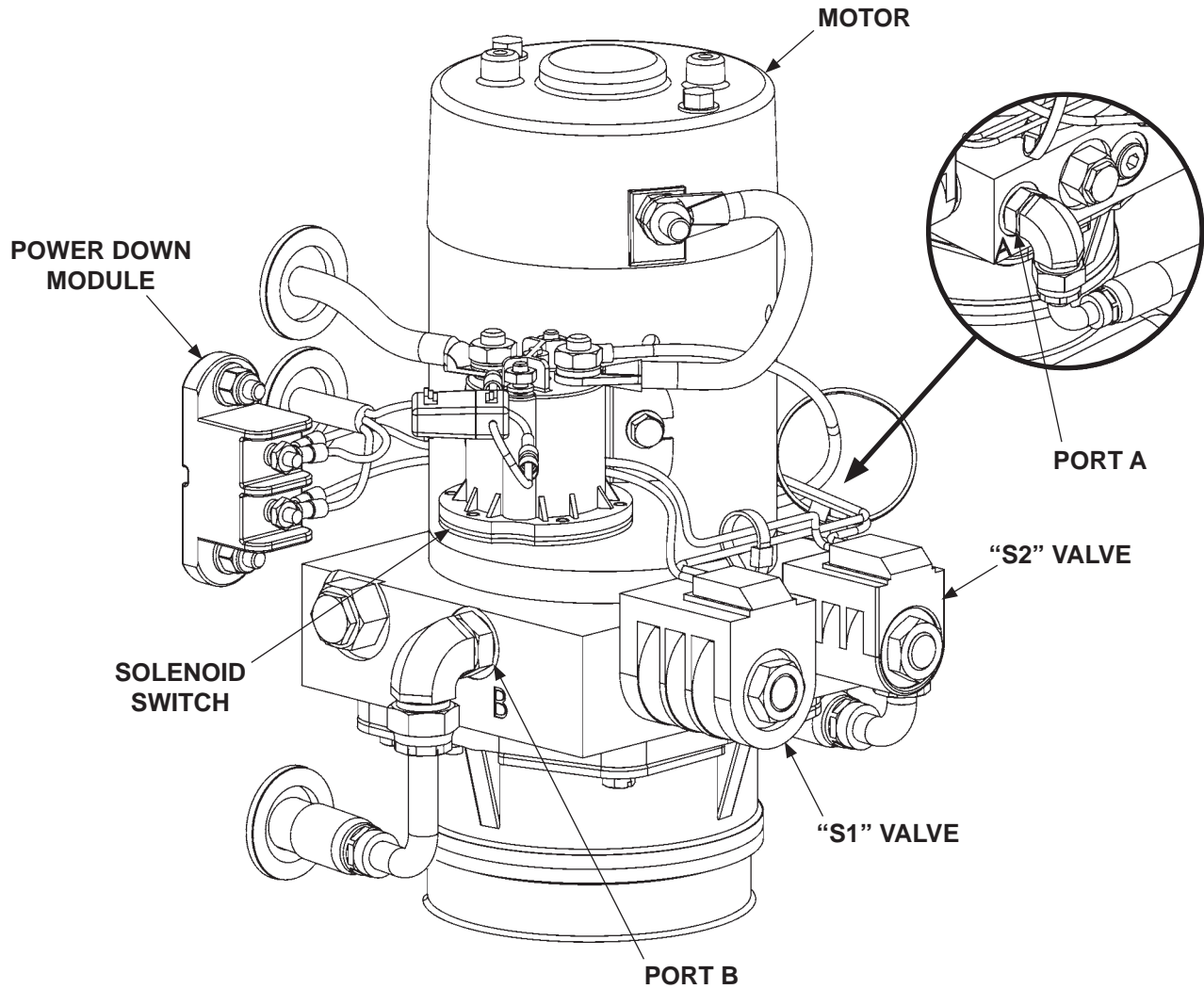


GRAVITY DOWN PUMP MOTOR & SOLENOID SWITCH OPERATION				
LIFTGATE FUNCTION	PORT	SOLENOID SWITCH OPERATION (✓ MEANS ENERGIZED)		
		MOTOR	SOLENOID VALVE A	LOCK VALVE
RAISE	PRESSURE	✓	-	
LOWER	VENT	-	✓	✓

REFER TO VALVES SHOWN ON
HYDRAULIC SCHEMATIC

TABLE 26-1

PUMP, MOTOR & SOLENOID OPERATION - POWER DOWN



POWER DOWN PUMP MOTOR & SOLENOID SWITCH OPERATION						
LIFTGATE FUNCTION	PORT	SOLENOID SWITCH OPERATION (✓ MEANS ENERGIZED)				
		MOTOR	VALVE "S2"	VALVE "S1"	LOCK VALVE	POWER DOWN MODULE
RAISE	A	✓	-	✓		-
LOWER	B	✓	✓	-	✓	✓
REFER TO VALVES SHOWN ON HYDRAULIC SCHEMATIC						

TABLE 27-1

HYDRAULIC SYSTEM DIAGRAMS

HYDRAULIC SCHEMATIC (GRAVITY DOWN)

MAXON[®]

11921 Slauson Ave. Santa Fe Springs, CA. 90670 (800) 227-4116 FAX (888) 771-7713

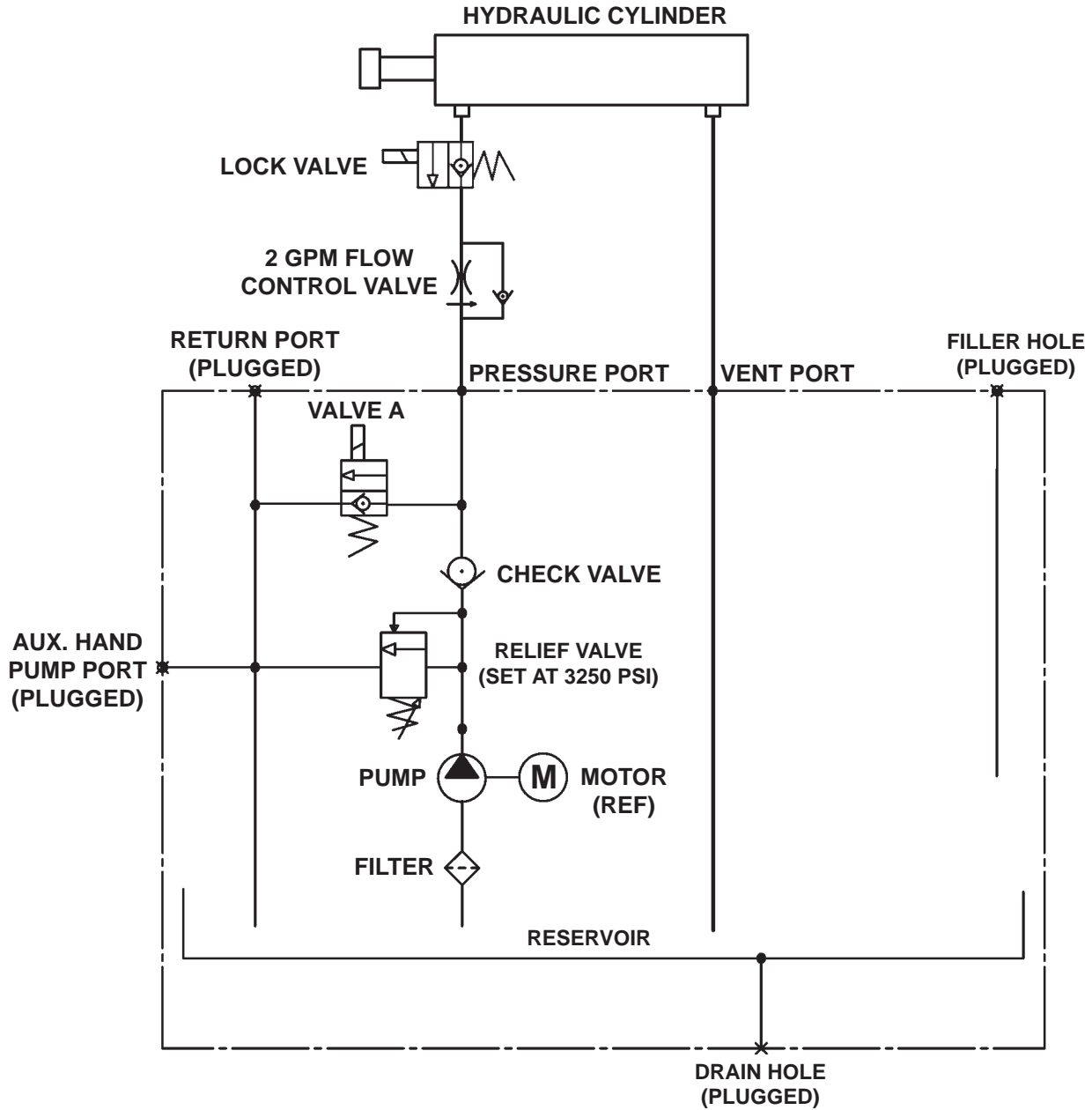


FIG. 28-1

HYDRAULIC SCHEMATIC (POWER DOWN)

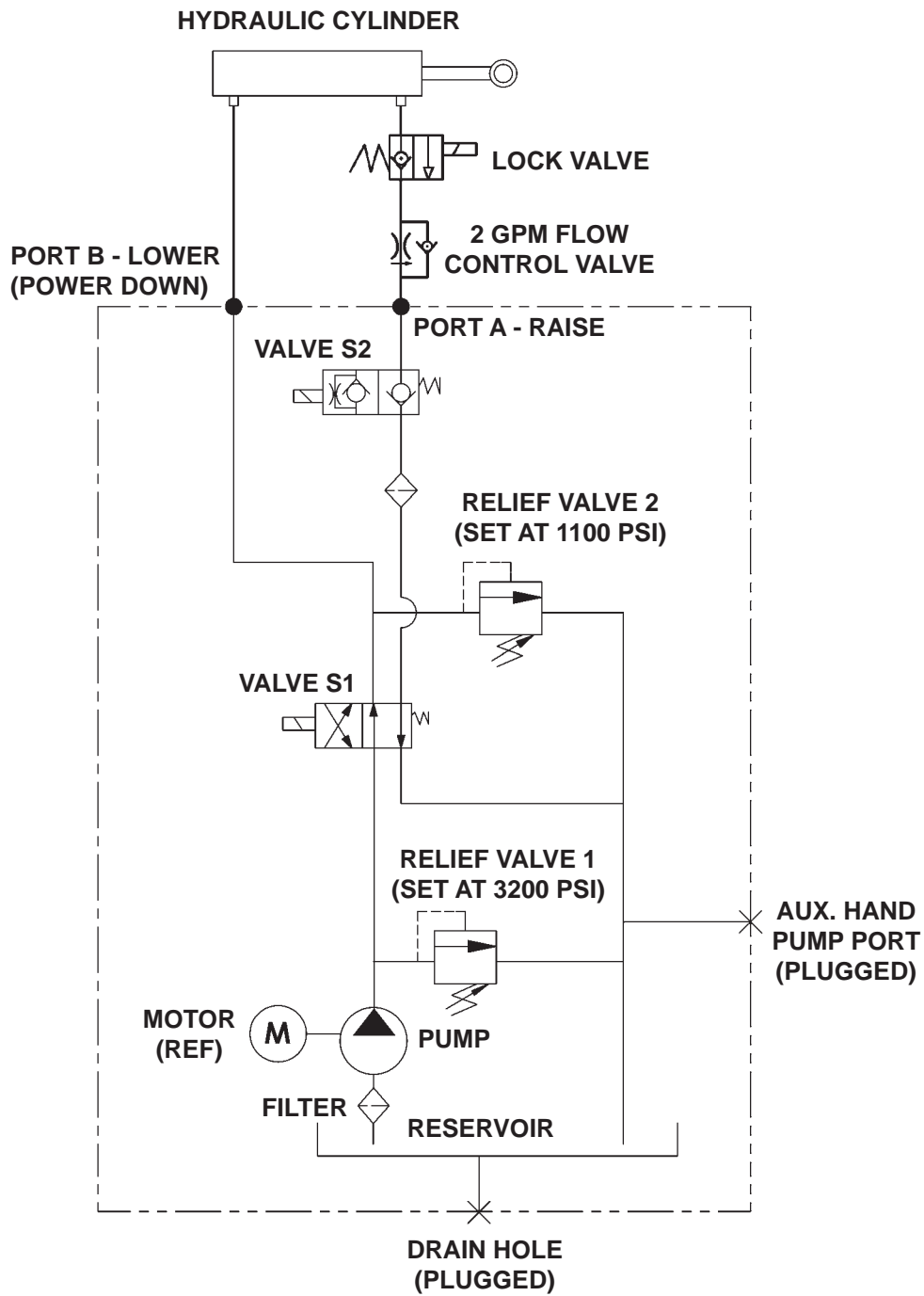


FIG. 29-1

ELECTRICAL SYSTEM DIAGRAMS

ELECTRICAL SCHEMATIC (GRAVITY DOWN)

MAXON®

11921 Slauson Ave. Santa Fe Springs, CA. 90670 (800) 227-4116 FAX (888) 771-7713

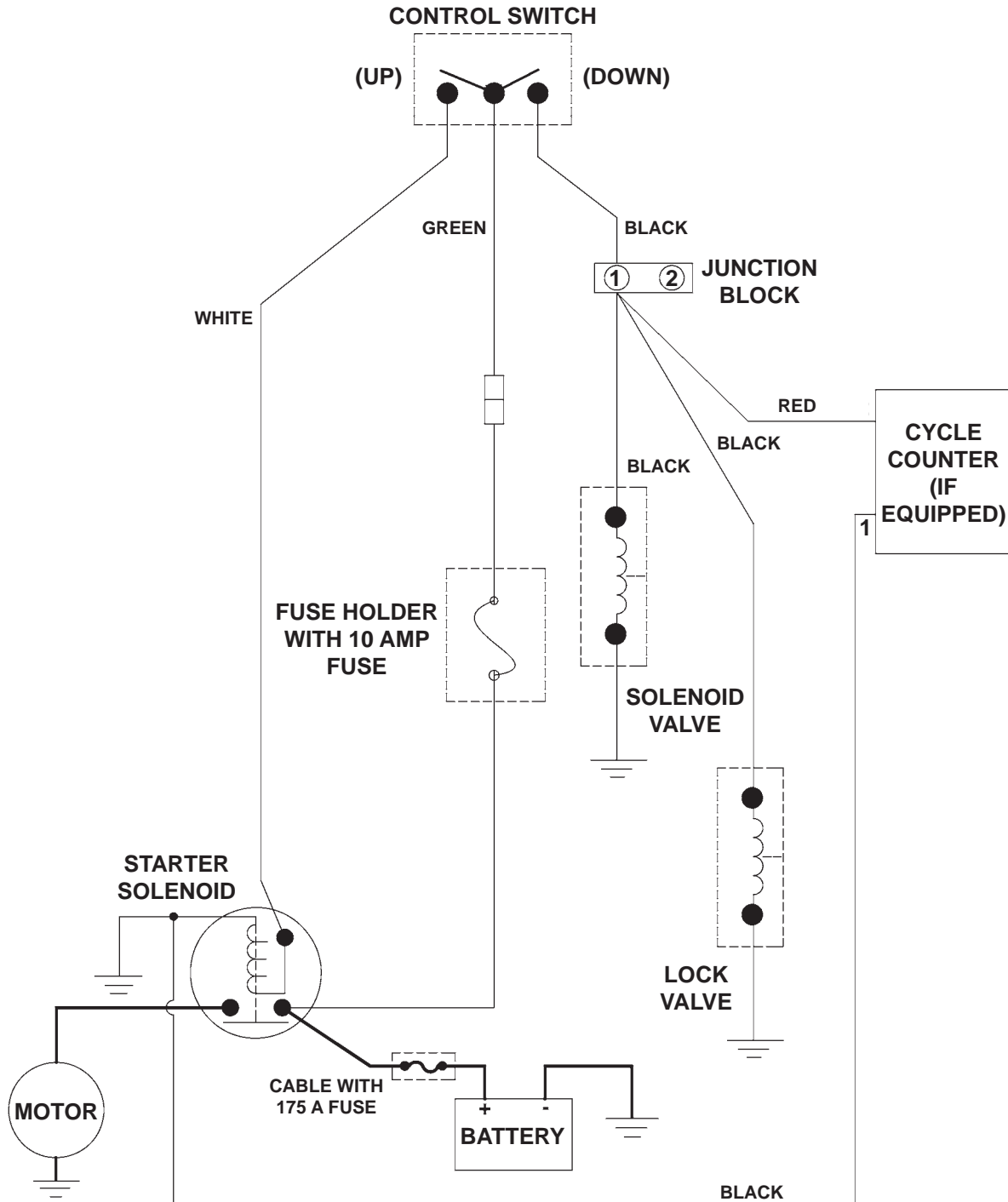


FIG. 30-1

ELECTRICAL SCHEMATIC (POWER DOWN)

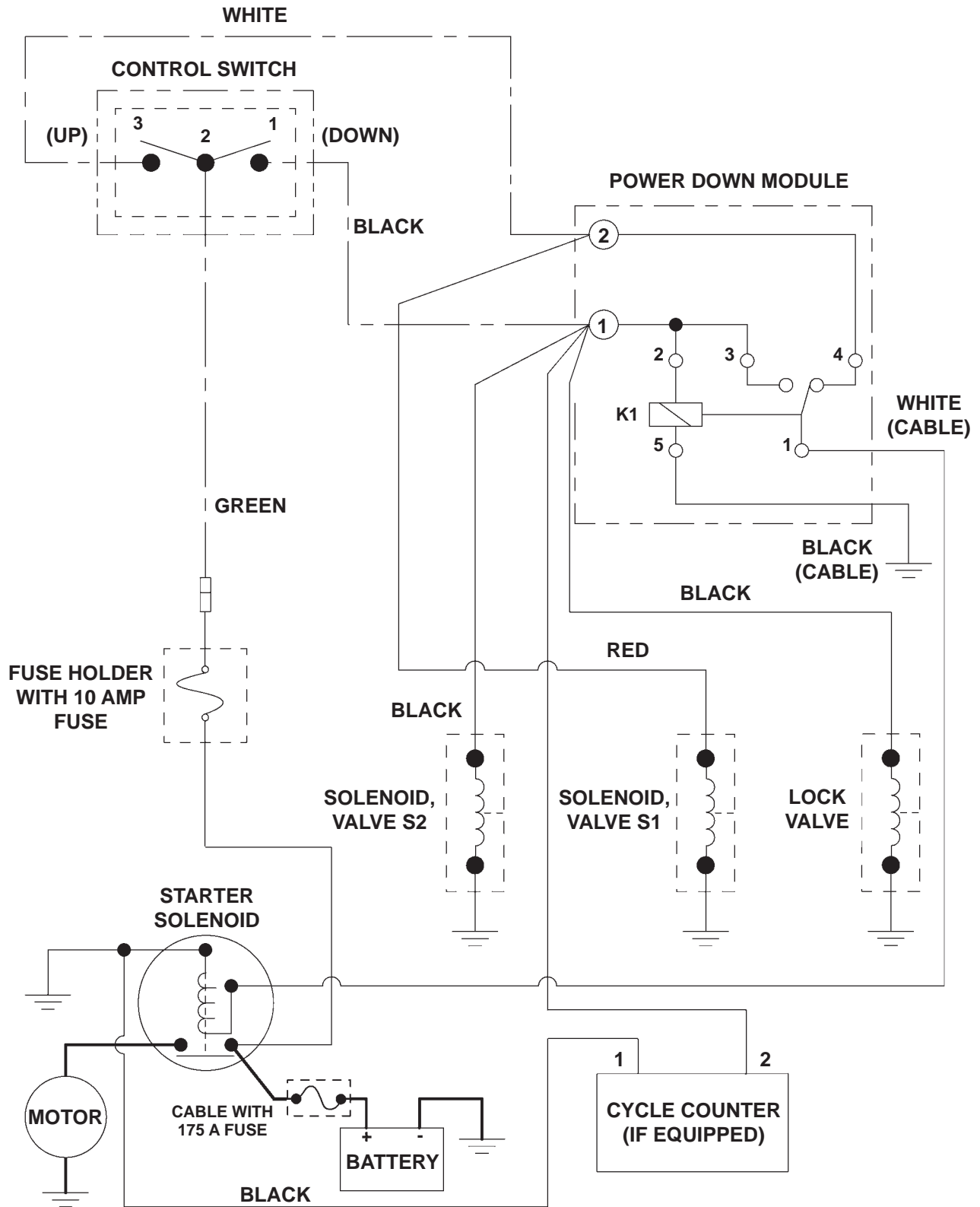


FIG. 31-1

SYSTEM DIAGRAMS

MAXON®

11921 Slauson Ave. Santa Fe Springs, CA. 90670 (800) 227-4116 FAX (888) 771-7713

Solenoid Switch	12V	24V
Coil Resistance:	5.4Ω @70°F, ±15%	20.1Ω @70°F, ±15%
Ampere:	2.2A	1.2A
Coil terminal torque: 10-15 lb-in max.		
Contact terminal torque: 30-35 lb-in max.		
Solenoid Valves (S1 & S2)		
S1 Coil Resistance:	6.6Ω @ 70°F, ±15%	26.7Ω @ 70°F, ±15%
S1 Ampere:	1.8A	0.9A
S2 Coil Resistance:	7.5Ω @ 70°F, ±15%	30.8Ω @ 70°F, ±15%
S2 Ampere:	1.6A	0.78A
Coil terminal torque: 15-45 lb-in max.		
Valve cartridge torque: 25-30 lb-ft max.		
Coil nut torque: 15-45 lb-in		
Digital Cycle Counter		
Operating Voltage:	7V - 30 VDC	
Ampere:	<2mA	
Solenoid Lock Valve		
Coil Resistance:	8.0Ω @ 70°F, ±15%	30Ω @ 70°F, ±15%
Ampere:	1.5A	0.8A
Coil nut torque: 3-4.5 lb-ft max.		
Valve cartridge torque: 18.5-22 lb-ft max.		
Ground Cable		
Cap Screw Torque: 24 lb-ft max.		

TABLE 32-1

TROUBLESHOOTING PLATFORM WILL NOT RAISE

1. Use voltmeter to verify power is being supplied to solenoid terminal “B” (FIG. 33-1). Recharge the battery if there is less than 12.6 volts.

CAUTION

Keep dirt, water and other contaminants from entering the hydraulic system. Before opening the hydraulic fluid reservoir filler cap, drain plug and hydraulic lines, clean up contaminants that can get in the openings. Also, protect the openings from accidental contamination during maintenance.

2. See the **CHECKING HYDRAULIC FLUID** procedure. If necessary, add hydraulic fluid.
3. Touch a jumper wire to terminals “B” & “D” (FIG. 33-1). If motor runs, check switch, switch connections, and white wire. Check and correct wiring connections or replace the switch.
4. Touch heavy jumper cables to terminals “A” & “B” (FIG. 33-1).
 - a. If motor runs, replace the motor solenoid.
 - b. If motor does not run, repair or replace the pump motor.

NOTE: In most cases, you can avoid having to manually bleed hydraulic system by correctly positioning Liftgate platform before disconnecting any lifting cylinder high pressure hydraulic lines. The following procedure can save time and prevent accidental fluid spills and hazards.

5. Check for structural damage and replace worn parts.
6. Check filter in the pump reservoir. Replace filter if necessary.
7. Check for dirty pump motor relief valve. Clean if necessary. Replace any worn out relief valve parts.

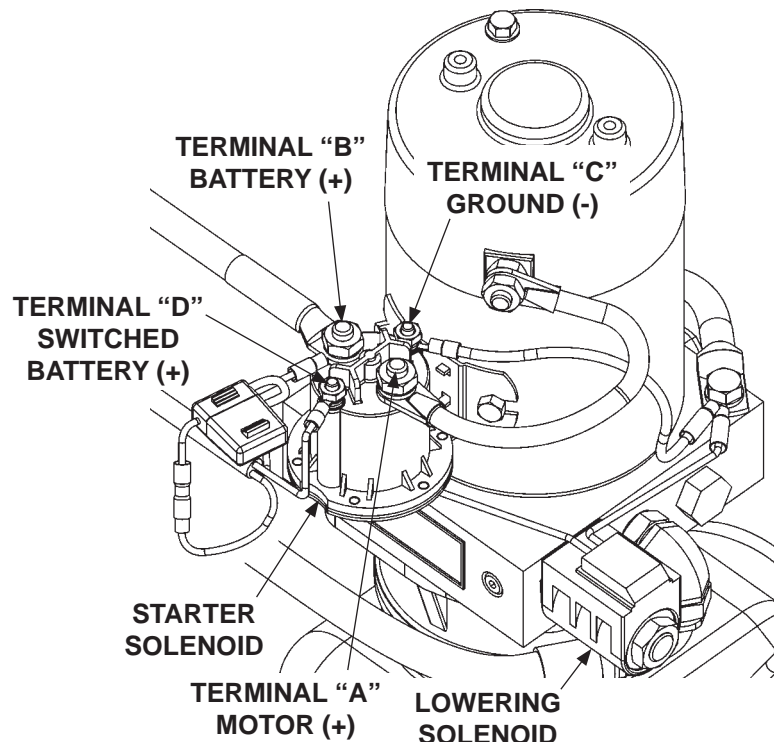


FIG. 33-1

TROUBLESHOOTING

PLATFORM RAISES BUT LEAKS DOWN

1. Check if solenoid valves are constantly energized by touching a screwdriver to the top nut of the solenoid (**FIG. 34-1**). Try pulling the screwdriver away from the solenoid. If the solenoid nut attracts the screwdriver (magnetically) without pushing the toggle switch, the control circuit is operating incorrectly. Check if toggle switch, wiring or coil are faulty.

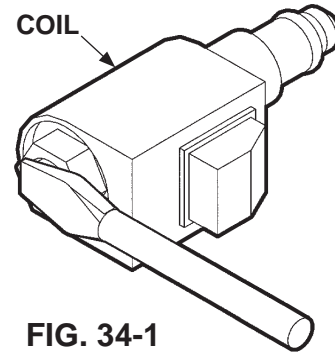


FIG. 34-1

CAUTION

Keep dirt, water and other contaminants from entering the hydraulic system. Before opening the hydraulic fluid reservoir filler cap, drain plug and hydraulic lines, clean up contaminants that can get in the openings. Also, protect the openings from accidental contamination during maintenance.

NOTE: In most cases, you can avoid having to manually bleed hydraulic system by correctly positioning Liftgate platform before disconnecting any lifting cylinder high pressure hydraulic lines. The following procedure can save time and prevent accidental fluid spills and hazards.

2. Check the valve stem by removing the coil assembly (**Item 1, FIG. 34-2**). With platform on ground, unscrew the valve stem (**Item 2, FIG. 34-2**) from the pump. Push on the plunger that is located inside the valve stem by inserting a small screwdriver blade in the end. If the plunger does not move freely, (approximately 1/8") replace the valve stem. **When reinstalling valve stem, torque hex nut to 30 in-lbs.**
3. Check the hydraulic cylinder. With the platform on the ground, remove the hydraulic line from the vent/down port of the cylinder (**FIG. 34-3**). Raise the platform even with the bed. Allow pump motor to run two seconds more while you watch for hydraulic fluid at the vent/down port. A few drops of hydraulic fluid escaping the vent/down port is normal; however, if it streams from the vent/down port, piston seals are worn. Replace seals.

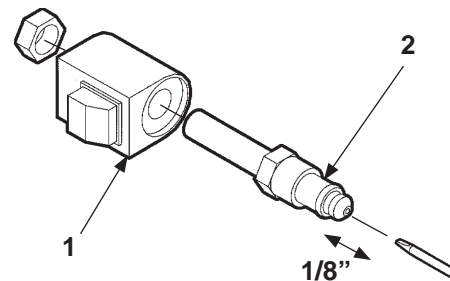


FIG. 34-2

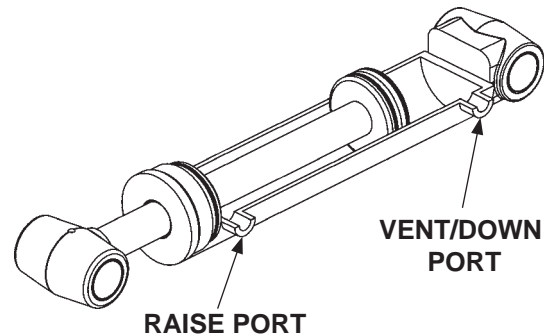


FIG. 34-3

PLATFORM RAISES PARTIALLY AND STOPS

CAUTION

Keep dirt, water and other contaminants from entering the hydraulic system. Before opening the hydraulic fluid reservoir filler cap, drain plug and hydraulic lines, clean up contaminants that can get in the openings. Also, protect the openings from accidental contamination during maintenance.

1. See the **CHECKING HYDRAULIC FLUID** procedure. If necessary, add hydraulic fluid.
2. Use voltmeter to verify the battery shows 12.6 volts or more.
3. Check for structural damage and poor lubrication. Replace worn parts.

NOTE: In most cases, you can avoid having to bleed the hydraulic system by correctly positioning Liftgate platform before opening hydraulic lines. Refer to following procedure. Save time on the job and prevent accidental fluid spills and hazards.

4. Check the hydraulic cylinder. With the platform on the ground, remove the breather plug or vent line from the vent/down port of the cylinder (**FIG. 35-1**). Raise the platform even with the bed. Allow pump motor to run two seconds more while you watch for hydraulic fluid at the vent/down port. A few drops of hydraulic fluid escaping the vent/down port is normal; however, if it streams from the vent/down port, piston seals are worn. Replace seals.
5. Check filter in the pump reservoir. Replace filter if necessary.
6. Check for dirty pump motor relief valve. Clean if necessary. Replace any worn out relief valve parts.

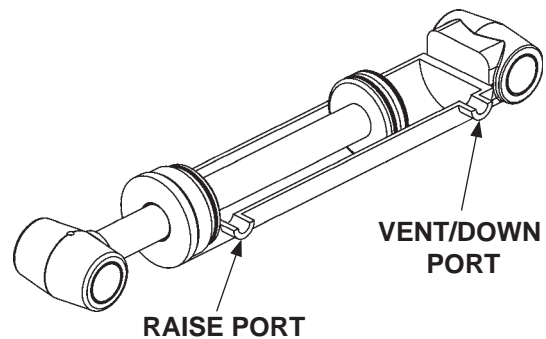


FIG. 35-1

TROUBLESHOOTING

LIFTGATE WILL NOT LIFT RATED CAPACITY

1. Use voltmeter to verify the battery shows 12.6 volts or more under load from pump motor.
2. Check for structural damage and lack of lubrication. Replace worn parts.

CAUTION

Keep dirt, water and other contaminants from entering the hydraulic system. Before opening the hydraulic fluid reservoir filler cap, drain plug and hydraulic lines, clean up contaminants that can get in the openings. Also, protect the openings from accidental contamination during maintenance.

NOTE: In most cases, you can avoid having to bleed the hydraulic system by correctly positioning Liftgate platform before opening hydraulic lines. Refer to following procedure. Save time on the job and prevent accidental fluid spills and hazards.

3. With platform on the ground, remove the pressure hose and fitting from the pump and replace it with a 0-4000 PSI pressure gauge. Hold the switch in the "UP" position. Adjust the relief valve on the side of the pump until the gauge shows 3250 PSI (**FIG. 36-2**). Remove gauge and reinstall pressure hose.
4. Check for dirty pump motor relief valve. Clean if necessary. Replace any worn out relief valve parts.
5. Check the hydraulic cylinder. With the platform on the ground, remove the breather plug or vent line from the vent/down port of the cylinder (**FIG. 36-1**). Raise the platform even with the bed. Allow pump motor to run two seconds more while you watch for hydraulic fluid at the vent/down port. A few drops of hydraulic fluid escaping the vent/down port is normal; however, if it streams from the vent/down port, piston seals are worn. Replace seals.
6. If pump cannot produce 3250 PSI, and will not lift load of rated capacity, the pump is worn and needs to be replaced.

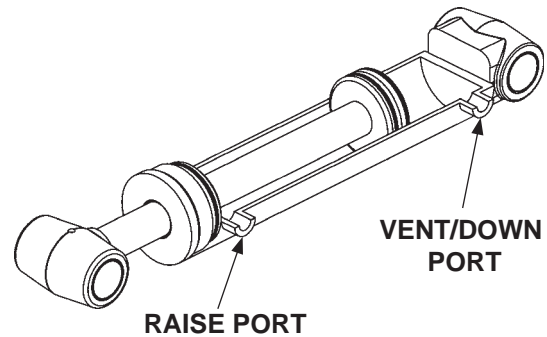


FIG. 36-1

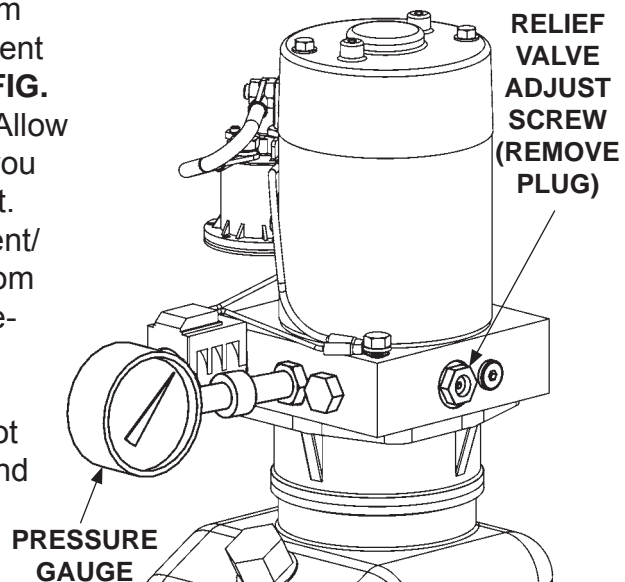


FIG. 36-2

PLATFORM RAISES SLOWLY

1. Use voltmeter to verify power is being supplied to solenoid terminal "B". Recharge the battery if voltmeter indicates less than 12.6 volts (**FIG. 37-1**).

CAUTION

Keep dirt, water and other contaminants from entering the hydraulic system. Before opening the hydraulic fluid reservoir filler cap, drain plug and hydraulic lines, clean up contaminants that can get in the openings. Also, protect the openings from accidental contamination during maintenance.

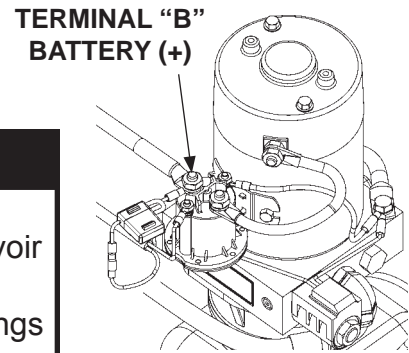


FIG. 37-1

2. Check the hydraulic cylinder. With the platform on the ground, remove the breather plug or vent line from the vent/down port of the cylinder (**FIG. 37-3**). Raise the platform even with the bed. Allow pump motor to run two seconds more while you watch for hydraulic fluid at the vent/down port. A few drops of hydraulic fluid escaping the vent/down port is normal; however, if it streams from the vent/down port, piston seals are worn. Replace seals.

NOTE: In most cases, you can avoid having to bleed the hydraulic system by correctly positioning Liftgate platform before opening hydraulic lines. Refer to following procedure. Save time on the job and prevent accidental fluid spills and hazards.

3. Check and clean flow control valve in high pressure hydraulic line attached to cylinder. When installing flow control valve, make sure arrow on valve is oriented as shown in **FIG. 37-3**.
4. See the **CHECKING HYDRAULIC FLUID** procedure. If necessary, add hydraulic fluid.
5. Verify the pump motor is grounded to the vehicle frame.
6. Check for leaking hoses and fittings. Tighten or replace as required.
7. Check for structural damage or poor lubrication. Replace worn parts.
8. Check the filter in the pump reservoir. Replace if necessary.

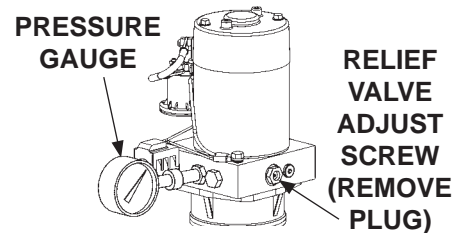


FIG. 37-2

9. With platform on the ground, remove the pressure hose and fitting from the pump and replace it with a 0-4000 PSI pressure gauge. Hold the control switch in the "raise" position. Adjust the relief valve on the side of the pump until the gauge shows 3250 PSI (**FIG. 37-2**). Remove gauge and reinstall pressure hose.

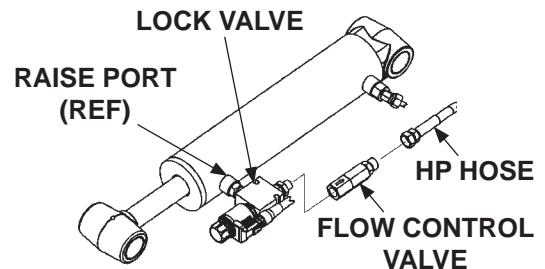


FIG. 37-3

TROUBLESHOOTING

PLATFORM WILL NOT LOWER, LOWERS TOO SLOWLY OR TOO QUICKLY

1. Use voltmeter to verify power is being supplied to solenoid terminal "B". Recharge the battery if voltmeter displays less than 12.6 volts (**FIG. 38-1**).
2. Check for structural damage or poor lubrication. Replace worn parts.
3. Check if solenoid valve is getting power by holding a screwdriver against the top nut of the solenoid. Push control switch to "lower" position to energize solenoid (**FIG. 38-2**). A good solenoid will attract (magnetically) the screwdriver to the nut and make it difficult to pull the screwdriver away from the nut.

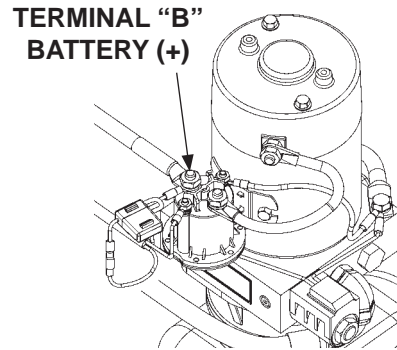


FIG. 38-1

CAUTION

Keep dirt, water and other contaminants from entering the hydraulic system. Before opening the hydraulic fluid reservoir filler cap, drain plug and hydraulic lines, clean up contaminants that can get in the openings. Also, protect the openings from accidental contamination during maintenance.

NOTE: In most cases, you can avoid having to bleed the hydraulic system by correctly positioning Liftgate platform before opening hydraulic lines. Refer to following procedure. Save time on the job and prevent accidental fluid spills and hazards.

4. Check the valve stem by removing the coil assembly (**Item 1, FIG. 38-2**). With platform supported, unscrew the valve stem (**Item 2, FIG. 38-2**) from the pump. Push on the plunger located inside the valve stem by inserting a small screwdriver blade in the end. If the plunger does not move freely (approximately 1/8"), replace the valve stem.

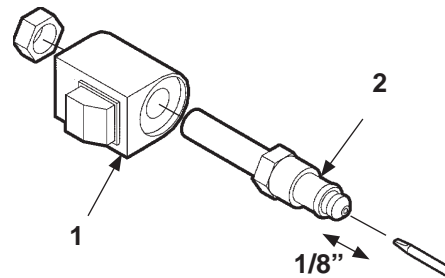


FIG. 38-2

5. Check if filtering screen on solenoid valve is plugged. Clean carefully if required.
6. Remove, check, clean, and reinstall flow control valve on the cylinder between high pressure hose and lock valve (**FIG. 38-3**). Replace flow control valve if necessary.

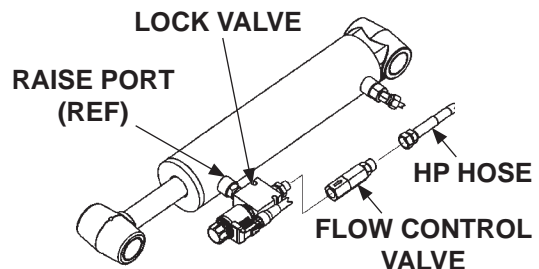


FIG. 38-3

